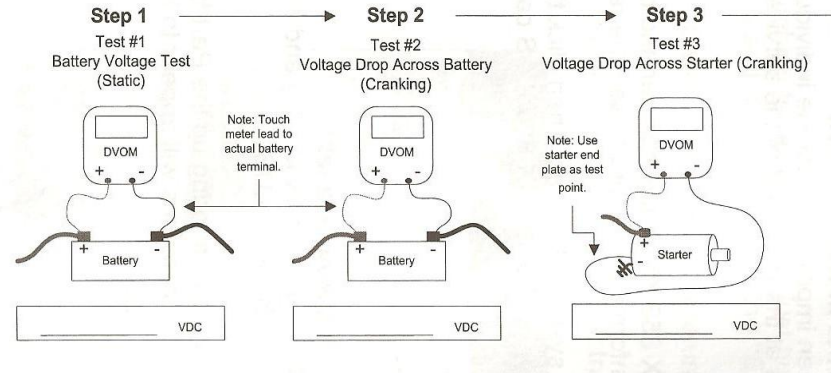


Before Starting:

- Battery voltage should be tested and must be at 12.4 VDC or higher. **Do not proceed if battery voltage is less than 12.4 VDC as battery should be charged.**
- Test meter leads before use. (Set meter to Ohm's and check for resistance reading of less than 0.10 Ohm)
- If available, use clamping meter leads to assist with testing.
- Set meter to next highest voltage scale that includes 20 VDC.
- When taking readings, allow the meter to stabilize before recording. The reading should stabilize after 3 to 5 seconds. **If reading continues to drop while cranking, stop the test and perform a battery load test.**
- Record Ambient Air Temperature: _____



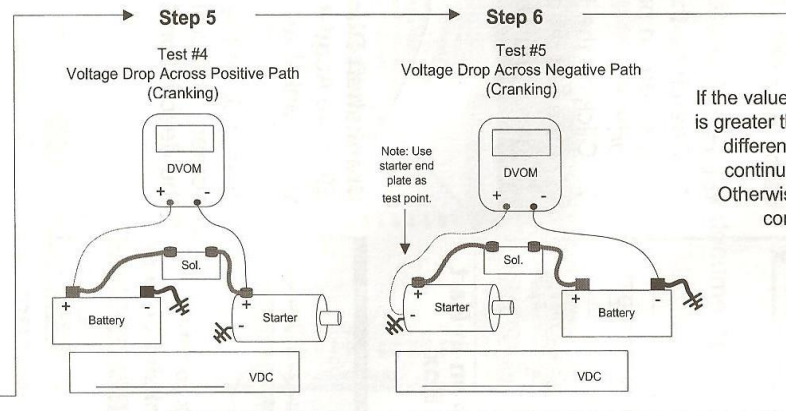
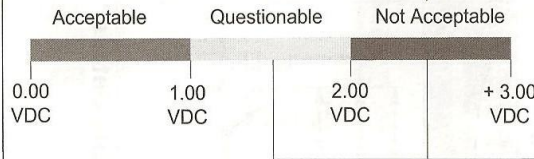
Starter Testing Procedures

Step 4

Test 2 – Test 3 = Voltage Drop in Electrical Path

$$\text{_____ VDC} - \text{_____ VDC} = \text{_____ VDC}$$

(Test 2) (Test 3) (Voltage Drop in electrical path)



If the value for step 5 or 6 is greater than 50% of the difference in step 4 continue to Step 7. Otherwise the test is complete.

Step 7
Corrective Actions

- Inspect For Corrosion at Terminal Connections:
Use a wire brush to clean the surfaces of the connections.
- Inspect All Crimped Connections:
Tighten loose crimps or replace the connectors.
- Check and/or Replace Solenoid:
- Inspect All Cabling For Damage:
Replace all damaged cabling.
- Inspect Wiring Cables for Correct Sizing:
Use American Wire Gauge (AWG) or Society of Automotive Engineers (SAE) specifications for guidance.