

# DELCO 10MT/SD300 BREAKDOWN



J&N UNIT #	JanNco #	OE PART #	LESTER #	VOLT	ROTATION	TEETH
410-12002*	410-12002R*	1108755	3548	12	CW	9
410-12004		1109425	6171	12	CCW	9
410-12005	410-12005R	1109424	4206	12	CCW	10
	410-12006R	1109091	4234	12	CW	9
410-12007	410-12007R	1109090	4246	12	CW	9
	410-12008R	1998382	6733	12	CW	10
	410-12009R	1109245	4772	12	CW	9
410-12009		1108448	3510M	12	CW	9
410-12012		1108448	3510M	12	CW	9
410-12013	410-12013R	1998288	3346	12	CW	9
410-12014		1998414	4253	12	CW	9
410-12018	410-12018R	1109356	4162	12	CW	9
410-12019	410-12019R	1109295	3905	12	CW	11
410-12020	410-12020R	1107308	4224	12	CW	9
410-12021		1108769	4545	12	CW	9
410-12022	410-12022R	1109420	4946	12	CW	10
	410-12023R	1109075	4174	12	CW	9
410-12065		1109362	4388	12	CW	9
410-12066	410-12066R	1109439	4525	12	CW	10
410-12069		1107229	4212	12	CCW	9
410-12070		1109438	4342	12	CW	9
410-12077	410-12077R	1998207	4573	12	CW	10
410-12115*		1109484	6440	12	CW	9
410-12127		1998571	6425	12	CW	9
410-12160		1998575	6708	12	CW	10
	410-12205R*	1998321	3567	12	CCW	9
410-12227		1109357	4167	12	CW	9
410-12231		1107280	4326	12	CW	9
410-12251		1998309	4338	12	CW	10
410-12259		1109446	6722	12	CW	9
410-12265		1109570	6711	12	CW	11
410-12270		1109576	4620	12	CW	10
410-12271		1108334	4235	12	CCW	10
410-12272		1998272	3347	12	CW	9
410-12273		1109427	4385	12	CW	10

Part number listings are only partial.

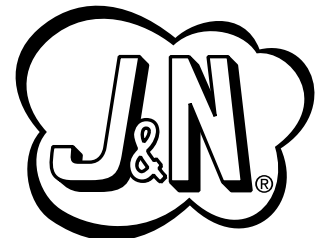
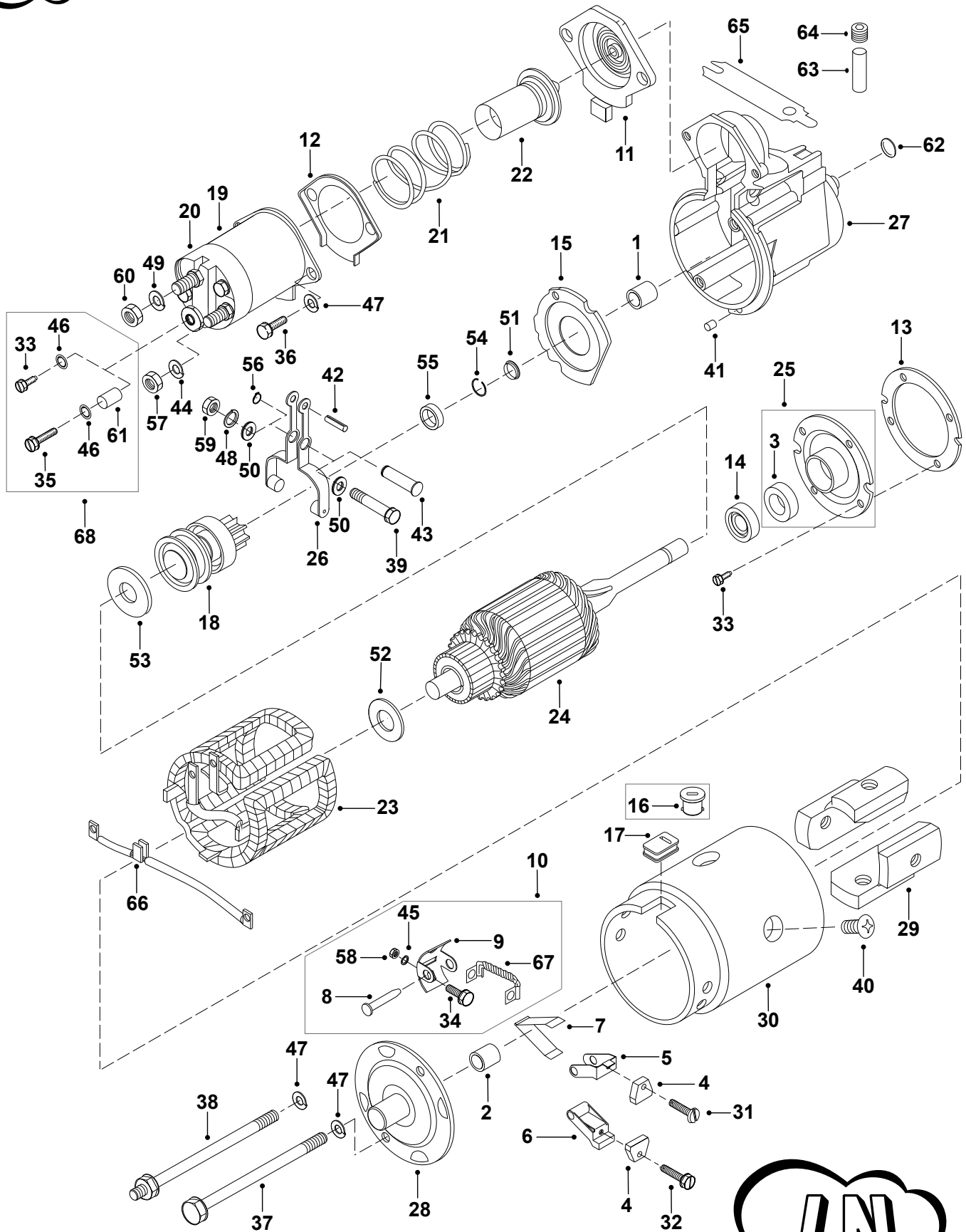
\* Marine Starter

Delco replaced the 10MT series code with SD300.





# DELCO 10MT/SD300 BREAKDOWN



# DELCO 10MT/SD300 BREAKDOWN



KEY	J&N #	OEM #	DESCRIPTION	
1	<b>133-12000</b>	38296	BUSHING, DE, .500" x .563" x .783"	
	<b>133-12001</b>		BUSHING, DE, 1X Undersized, .500" x .563" x .783"	
	<b>133-12002</b>		BUSHING, DE, 2X Undersized, .496" x .563" x .783"	
	<b>133-12003</b>	1839345	BUSHING, DE, Split, .500" x .563" x .783"	
	<b>133-12013</b>	1862383	BUSHING, DE, .500" x .626" x .815"	
	<b>133-12014</b>		BUSHING, DE, .472" x .520" x .717"	
	<b>133-12015</b>		BUSHING, DE, 1X Undersized, .472" x .520" x .717"	
	<b>133-12016</b>		BUSHING, DE, 2X Undersized, .469" x .520" x .717"	
	<b>133-12017</b>		BUSHING, DE, 3X Undersized, .465" x .520" x .717"	
	<b>133-12018</b>	1923907	BUSHING, DE, Split, .472" x .520" x .717"	
	<b>133-12022</b>	1932190	BUSHING, DE, .472" x .520" x .504"	
	<b>133-12081</b>		BUSHING, DE, 1X Undersized, .500" x .626" x .776"	
	<b>133-12084</b>		BUSHING, DE, 1X Undersized, .470" x .520" x .500"	
	2	<b>133-12004</b>	810620	BUSHING, CE, .563" x .630" x .654"
		<b>133-12005</b>		BUSHING, CE, 1X Undersized, .563" x .630" x .654"
		<b>133-12006</b>		BUSHING, CE, 2X Undersized, .559" x .630" x .677"
<b>133-12007</b>			BUSHING, CE, 3X Undersized, .555" x .630" x .748"	
<b>133-12008</b>			BUSHING, CE, 4X Undersized, .555" x .630" x .654"	
<b>133-12009</b>			BUSHING, CE, Split, .563" x .630" x .717"	
<b>133-12034</b>		1891927	BUSHING, CE, .563" x .689" x .752"	
3		<b>133-12010</b>	1962606	BUSHING, Center Support, Used with #350-12004, .756" x 1.252" x .402"
		<b>133-12011</b>	820148	BUSHING, Center Support, Used with #350-12001, .756" x .815" x .720"
	<b>133-12012</b>		BUSHING, Center Support, 1X Undersized, .756" x .815" x .720"	
	<b>133-12023</b>	1894023	BUSHING, Center Support, Used with #350-12001, .756" x .878" x .720"	
<b>133-12074</b>	1957017	BUSHING, Center Support, Used with #350-12024, .760" x .815" x .374"		
4	<b>141-12008</b>	1906945	BRUSH, .626" x .752" x .252"	
5	<b>151-12007</b>	1940477	BRUSH HOLDER, Negative	
6	<b>151-12008</b>	1988414	BRUSH HOLDER, Insulated, 8-32 Tapped Threads	
	<b>151-12017</b>		BRUSH HOLDER, Insulated, Unthreaded Hole	
7	<b>156-12003</b>	1926622	BRUSH SPRING	
8	<b>159-12010</b>	1938058	PIN, BRUSH HOLDER	
9	<b>159-12015</b>		BRUSH HOLDER SUPPORT	
10	<b>159-12031</b>	1928015	BRUSH HOLDER SUPPORT, Includes Lead, Nuts, Pin, Screws & Washers	
11	<b>180-12002</b>	1987373	BOOT, Solenoid, Wet Clutch	
12	<b>180-12003</b>	1952427	GASKET, Solenoid	
13	<b>180-12023</b>	1962603	GASKET, Used with Center Support #350-12004, Self-Adhesive	
14	<b>180-12061</b>	1937310	SEAL, OIL, Center Support, .705" x 1.248" x .252"	
15	<b>180-12063</b>	1957886	SEAL, DE Housing, Marine, 1.453" x 3.469" x .091"	
	<b>180-12064</b>	801834	SEAL, DE Housing, Used with Housing #371-12065 & #371-12068	
16	<b>180-12068</b>	1945827	GROMMET, Motor Terminal, Long Round, .587" TH	
	<b>180-12069</b>	1966391	GROMMET, Motor Terminal, .587" TH	
	<b>180-12086</b>	1894436	GROMMET, Motor Terminal, Marine, .425" x .626" x .902"	
17	<b>180-12073</b>	1949327	GROMMET, Motor Terminal, Long Slotted	
18	<b>220-12003</b>	1974355	DRIVE ASSEMBLY, 9T, CW, Roller Clutch, 1.000" OD, .469" ID, 3.000" L	
	<b>220-12004</b>	1985741	DRIVE ASSEMBLY, 9T, CW, Roller Clutch, 1.000" OD, .469" ID, 3.799" L	
	<b>220-12007</b>	10470757	DRIVE ASSEMBLY, 9T, CW, Roller Clutch, 1.000" OD, .469" ID, 3.181" L	
	<b>220-12011</b>	1974641	DRIVE ASSEMBLY, 9T, CCW, Roller Clutch, 1.000" OD, .469" ID, 3.874" L	
	<b>220-12012</b>	1977001	DRIVE ASSEMBLY, 9T, CCW, Roller Clutch, 1.000" OD, .469" ID, 3.252" L	
	<b>220-12065</b>		DRIVE ASSEMBLY, 9T, CW, Roller Clutch, 1.000", .469" ID, 3.752" L	
	<b>220-12094</b>	1970544	DRIVE ASSEMBLY, 9T, CCW, Roller Clutch, .988" OD, .469" ID, 3.657" L	
	<b>220-12095</b>	1932280	DRIVE ASSEMBLY, 9T, CW, Roller Clutch, 1.142" OD, .469" ID, 3.752" L	
	<b>220-12097</b>	1843041	DRIVE ASSEMBLY, 9T, CW, Roller Clutch, 1.134" OD, .563" ID, 3.827" L	
	<b>220-12108</b>		DRIVE ASSEMBLY, 10T, CW, Spragg Type, 1.551" OD, .563" ID, 3.799" L	
	<b>220-12119</b>	10498623	DRIVE ASSEMBLY, 10T, CW, HD Roller Clutch, 1.555" OD, .563" ID, 3.799" L	
	<b>220-12262</b>		DRIVE ASSEMBLY, 10T, CW, Ratchet Clutch, 1.583" OD, .563" ID, 3.799" L	
<b>220-12278</b>		DRIVE ASSEMBLY, 9T, CW, Cushioned Roller Clutch, 1" OD, .476" ID, 3.189" L		
19	<b>245-12001</b>	1114458	SOLENOID, 12V, Premium, Long, 98 Turn Coil, 3/8-16 Battery Stud, 10-32 Internal Thread Motor Stud	
	<b>245-12003</b>	1114531	SOLENOID, 12V, Premium, Short, 96 Turn Coil, 10-1.5 Battery Stud, 10-32 Internal Thread Motor Stud	

\* Not illustrated.



# DELCO 10MT/SD300 BREAKDOWN

KEY	J&N #	OEM #	DESCRIPTION
	<b>245-12004</b>	1114458	SOLENOID, 12V, HD Premium, Long, 132 Turn Coil, 3/8-16 Battery Stud, 10-32 Internal Thread Motor Stud
	<b>245-12006</b>		SOLENOID, 12V, Long, 3/8-16 Battery Stud, 10-32 Internal Thread Motor Stud
	<b>245-12109</b>	1114531	SOLENOID, 12V, HD Standard, Short, 97 Turn Coil, 10-1.5 Battery Stud, 10-32 Internal Thread Motor Stud
	<b>245-12110</b>	1114458	SOLENOID, 12V, HD Standard, Long, 130 Turn Coil, 3/8-16 Battery Stud, 10-32 Internal Thread Motor Stud
	<b>245-12002</b>	1114260	SOLENOID, 24V, Long, 3/8-16 Battery Stud, 10-32 Internal Thread Motor Stud
20	<b>246-12001</b>	1935167	SOLENOID CAP, 4-Term, High Temp, Standard
	<b>246-12002</b>	1979516	SOLENOID CAP, 4-Term, High Temp, Metric
*	<b>248-12001</b>	1917122	SOLENOID PART, MISCELLANEOUS, Horseshoe Retainer Clip
21	<b>248-12009</b>	1978281	PLUNGER RETURN SPRING
*	<b>248-12021</b>	1956226	CONTACT ASSEMBLY
*	<b>248-12022</b>		CONTACT DISC
*	<b>248-12037</b>	1935645	CONTACT
22	<b>248-12038</b>	1987391	PLUNGER, Short
	<b>248-12039</b>	1941113	PLUNGER, Long
23	<b>261-12033</b>	1945790	FIELD COIL, 12V, CW, Regular Torque, Low Hole/Thin Armature Configuration
	<b>261-12034</b>		FIELD COIL, 12V, CW, High Torque, Low Hole/Thin Armature Configuration
	<b>261-12052</b>	1974920	FIELD COIL, 12V, CCW, Regular Torque, Low Hole/Thin Armature Configuration
	<b>261-12068</b>	D4221	FIELD COIL, 12V, CW, Regular Torque, High Hole/Thick Armature Configuration
	<b>261-12070</b>	1932181	FIELD COIL, 12V, CW, Regular Torque, Low Hole/Thin Armature Configuration
	<b>261-12071</b>	D4236	FIELD COIL, 12V, CW, High Torque, Low Hole/Thin Armature Configuration
	<b>261-12072</b>		FIELD COIL, 12V, CW, Super High Torque, Low Hole/Thin Armature Configuration
	<b>261-12075</b>	1877306	FIELD COIL, 12V, CW, High Torque, High Hole/Thick Armature Configuration
	<b>261-12076</b>		FIELD COIL, 12V, CW, Super High Torque, High Hole/Thick Armature Configuration
	<b>261-12077</b>	1970467	FIELD COIL, 12V, CCW, Regular Torque, Converts CW to CCW without Reorienting Brush Holder, High Hole/Thick Armature Configuration
	<b>261-12079</b>	1891565	FIELD COIL, 12V, CW, Regular Torque, Low Hole/Thin Armature Configuration
	<b>261-12080</b>	1933761	FIELD COIL, 12V, CW, Regular Torque, Low Hole/Thin Armature Configuration
	<b>261-12081</b>	1957375	FIELD COIL, 12V, CW, High Torque, Low Hole/Thin Armature Configuration
	<b>261-12084</b>	1974183	FIELD COIL, 12V, CW, Regular Torque, High Hole/Thin Armature Configuration
	<b>261-12085</b>		FIELD COIL, 12V, CW, High Torque, High Hole/Thin Armature Configuration
	<b>261-12086</b>		FIELD COIL, 12V, CW, Super High Torque, Conversion Coils, Used with Deep Slot Case & Low Torque Armature to make Super Torque Starters, High Hole/Thin Armature Configuration
	<b>261-12087</b>		FIELD COIL, 12V, CW, High Torque, Conversion Coils, Used with Deep Slot Case & Low Torque Armature to make High Torque Starters, High Hole/Thin Armature Configuration
	<b>261-12134</b>	1974375	FIELD COIL, 12V, CCW, Regular Torque, High Hole/Thin Armature Configuration
	<b>261-12164</b>		FIELD COIL, 12V, CCW, High Torque, Low Hole/Thin Armature Configuration
	<b>261-12172</b>		FIELD COIL, 12V, CW, High Torque, High Hole/Thick Armature Configuration
	<b>261-12174</b>		FIELD COIL, 12V, CW, Regular Torque, High Hole/Thick Armature Configuration
	<b>261-12178</b>		FIELD COIL, 12V, CCW, High Torque, Converts CW to CCW without Reorienting Brush Holder, High Hole/Thick Armature Configuration
*	<b>261-12069</b>	D4221	SHUNT COIL, 12V, CW, High Torque
	<b>261-12073</b>	D4236	SHUNT COIL, 12V, CW
24	<b>300-12034</b>	1971568	ARMATURE, 12V, CW, (3) Spiral Splines, 11.083" L, CE .563", DE .469"
	<b>300-12035</b>	1950307	ARMATURE, 12V, CW, (6) Spiral Spl., Low Torque, Thin Body, 11.827" L, CE .563", DE .500"
	<b>300-12037</b>	1970548	ARMATURE, 12V, CW, Premium, (3) Spiral Splines, High Torque, Thick Body, 11.031" L, CE .563", DE .469"
	<b>300-12039</b>	1917855	ARMATURE, 6V, CW, (6) Straight Splines, Thick Body, 11.594" L, CE .563", DE .500"
	<b>300-12041</b>	822187	ARMATURE, 6/12V, CW, (6) Straight Splines, Thick Body, 13.484" L, CE .563", DE .563"
	<b>300-12047</b>	1932185	ARMATURE, 12V, CW, (3) Spiral Splines, Thin Body, Low Torque, 10.563" L, CE .563", DE .469"
	<b>300-12048</b>	1974367	ARMATURE, 12V, CW, (3) Spiral Splines, Thick Body, 11.000" L, CE .563", DE .469"
	<b>300-12049</b>	1970740	ARMATURE, 6V, CW, No Splines, Roll Pin, Thick Body, 11.705" L, CE .563", DE .563"
	<b>300-12052</b>	1947353	ARMATURE, 12V, CCW, (6) Spiral Splines, Low Torque, Thin Body, 11.827" L, CE .563", DE .500"
	<b>300-12054</b>	1970465	ARMATURE, 12V, CCW, (6) Spiral Splines, Thick Body, 11.563" L, CE .563", DE .469"
	<b>300-12056</b>	1947996	ARMATURE, 12V, CW, No Splines, Keyway, Thin Body, 12.610" L, CE .563", DE .563"
	<b>300-12058</b>	1954479	ARMATURE, 12V, CW, (6) Spiral Splines, Thick Body, 11.563" L, CE .563", DE .469"

\* Not illustrated.



# DELCO 10MT/SD300 BREAKDOWN

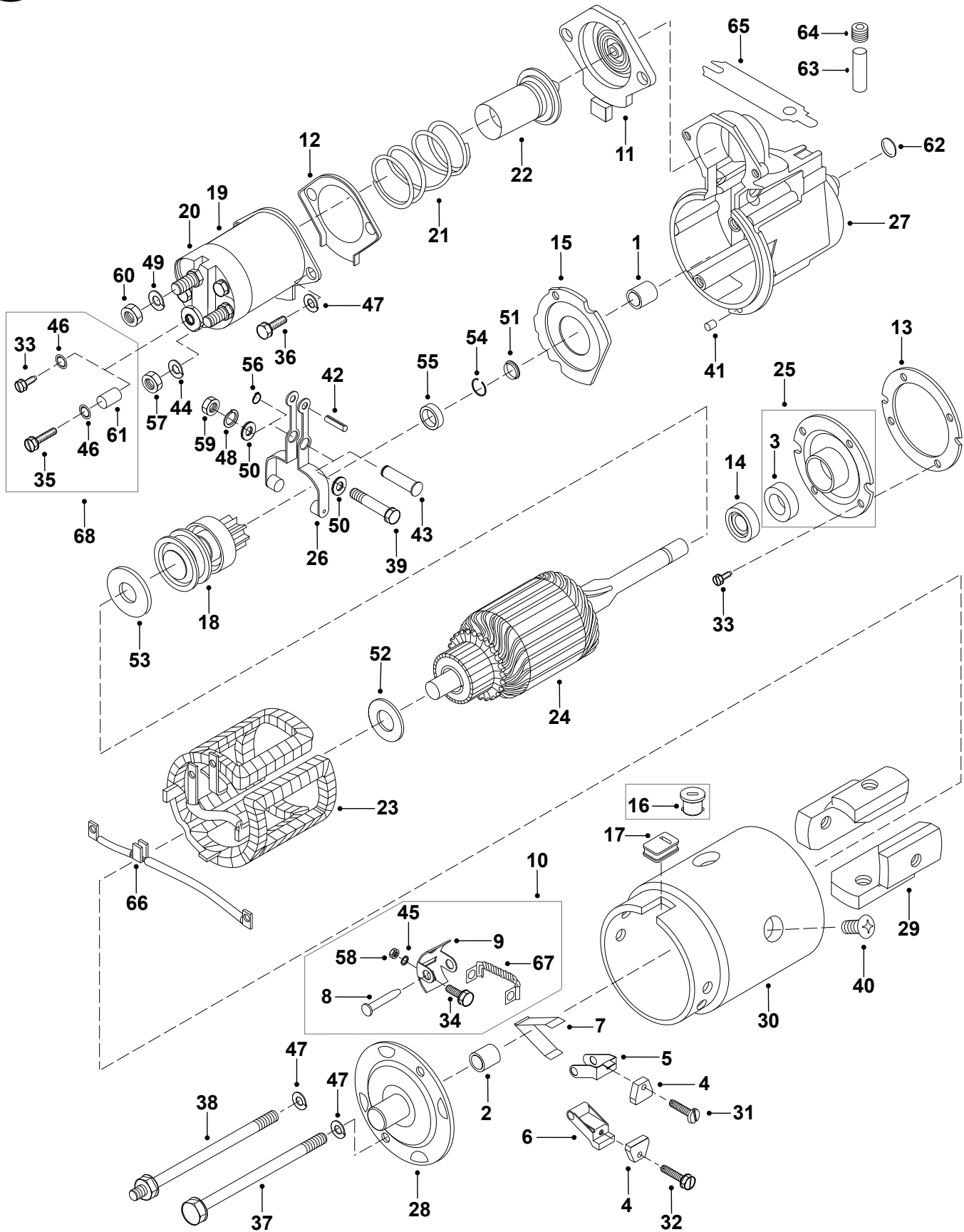


KEY	J&N #	OEM #	DESCRIPTION
	<b>300-12063</b>	1956211	ARMATURE, 12V, CW, No Spl., Roll Pin, Low Torque, Thin Body, 11.579" L, CE .563", DE .563"
	<b>300-12064</b>	1956422	ARMATURE, 12V, CCW, (6) Spiral Splines, Low Torque, Thin Body with Collar, 11.827" L, CE .563", DE .500"
	<b>300-12067</b>	1963638	ARMATURE, 12V, CW/CCW, No Spl., Roll Pin, Low Torque, Thin Body, 11.610" L, CE .563", DE .563"
	<b>300-12069</b>	1938178	ARMATURE, 12V, CW, (6) Spiral Spl., Thin Body, Includes Spacer, 11.839" L, CE .559", DE .500"
	<b>300-12072</b>	1872505	ARMATURE, 6V, CW/CCW, No Splines, Keyway, Thick Body, 12.469" L, CE .563", DE .563"
	<b>300-12073</b>	1878077	ARMATURE, 6/12V, CW/CCW, Standard, No Splines, Keyway, Thick Body, 12.728" L, CE .563", DE .563"
	<b>300-12074</b>	1941888	ARMATURE, 12V, CW, (3) Spiral Splines, Thick Body with Collar, High Torque, 10.610" L, CE .563", DE .469"
	<b>300-12077</b>	1929792	ARMATURE, 12V, CW/CCW, Standard, No Splines, Keyway, Low Torque, Thin Body, 12.610" L, CE .563", DE .563"
	<b>300-12078</b>	1949243	ARMATURE, 12V, CW, Premium, (6) Spiral Splines, Thick Body, Wet Clutch Applications, 11.827" L, CE .563", DE .500"
	<b>300-12083</b>	1961430	ARMATURE, 12V, CW, (3) Spiral Splines, Low Torque, Thin Body, 11.000" L, CE .563", DE .469"
	<b>300-12086</b>	1876788	ARMATURE, 12V, CCW, (6) Spiral Splines, Thick Body, 11.547" L, CE .563", DE .469"
	<b>300-12092</b>	1949509	ARMATURE, 12V, CCW, (6) Spiral Spl., High Torque, Thick Body, 11.815" L, CE .555", DE .496"
	<b>300-12095</b>	1937552	ARMATURE, 12V, CCW, (6) Spiral Splines, Thin Body, 11.598" L, CE .559", DE .469"
	<b>300-12099</b>	1970548	ARMATURE, 12V, CW, Standard, (3) Spiral Splines, Thick Body, 11.031" L, CE .563", DE .469"
	<b>300-12112</b>	1949243	ARMATURE, 12V, CW, Standard, (6) Spiral Splines, Thick Body, 11.827" L, CE .563", DE .500"
	<b>300-12115</b>	1852860	ARMATURE, 12V, CW, (3) Spiral Splines, Thin Body, 11.598" L, CE .500", DE .469"
	<b>300-12120</b>	1935851	ARMATURE, 12V, CW, (6) Spiral Splines, Low Torque, 11.567" L, CE .563", DE .469"
	<b>300-12121</b>	1851550	ARMATURE, 12V, CW, (6) Spiral Splines, 11.827" L, CE .563", DE .500"
	<b>300-12127</b>		ARMATURE, 6/12V, CW/CCW, Premium, No Splines, Keyway, Thick Body, 12.638" L, CE .563", DE .563"
	<b>300-12128</b>		ARMATURE, 12V, CW/CCW, Premium, No Splines, Keyway, Low Torque, Thin Body, 12.610" L, CE .563", DE .563"
	<b>300-12143</b>	1946226	ARMATURE, 12V, CW, (3) Spiral Splines, Low Torque, 11.642" L, CE .563", DE .480"
25	<b>350-12001</b>	10496109	CENTER SUPPORT, Includes Bushing #133-12011
	<b>350-12004</b>	1962602	CENTER SUPPORT, for Wet Clutch Starters, Includes #133-12010 & #180-12023
	<b>350-12024</b>	1892414	CENTER SUPPORT, Marine, Includes #133-12035
26	<b>355-12003</b>	801433	SHIFT LEVER, Wide
	<b>355-12006</b>	1951567	SHIFT LEVER, Narrow
27 <sup>†</sup>	<b>371-12001</b>	1971532	DE HOUSING, Cast Iron, Wet Clutch, Includes Bushing #133-12013
	<b>371-12004</b>	1986854	DE HOUSING, Cast Iron, Includes Bushing #133-12013
	<b>371-12065</b>	1984097	DE HOUSING, Aluminum, Metric Mounting, Includes Bushing #133-12022
	<b>371-12068</b>	1893864	DE HOUSING, Aluminum, Standard Mounting, Includes Bushing #133-12022
28	<b>381-12006</b>	1974157	CE HOUSING, Includes #133-12004
29	<b>390-12003</b>	810601	POLE SHOE, 3/8-24 Thread
	<b>390-12011</b>	1926619	POLE SHOE, 3/8-24 Threads, Use with Low Torque Field Coil
30	<b>395-12009</b>	1974160	HOUSING, FIELD, High Torque Starters
31	<b>451-08013</b>	443527	SCREW, Ground Brush Attaching, Slotted Pan Head, Self-Tapping, 8-32 x .626"
32	<b>451-08030</b>	1967747	SCREW, Field Brush Attaching, Hex Washer Head, Self-Tapping, 8-18 x .626"
33	<b>451-10008</b>	1914800	SCREW, Center Support & Motor Stud, Slotted Hex Head, Dog-Point Tip, 10-32 x .500"
34	<b>451-10010</b>		SCREW, Brush Holder Support, Hex Washer Head, 10-24 x .500"
35	<b>451-10018</b>	9413474	SCREW, Motor Stud, Slotted Hex Washer Head, Dog-Point Tip, 10-32 x 1.000"
	<b>451-10024</b>		SCREW, Motor Stud, Hex Head, 10-32 x 1.720"
36	<b>451-19006</b>	9427129	SCREW, Solenoid Attaching, Hex Washer Head, 1/4-20 x .500"
	<b>451-19044</b>	10497770	SCREW, Solenoid Attaching, Torx Washer Head, 1/4-20 x .524"
37	<b>451-19016</b>	1939970	THRU BOLT, Hex Washer Head, 1/4-20 x 5.874"
38	<b>451-19017</b>	1941111	THRU BOLT, Hex Washer Head, 1/4-20 x 5.874", 1/4-20 x .752" Extension
39	<b>451-22007</b>	1932197	SCREW, Shift Lever Attaching, Hex Washer Head, 5/16-18 x 1.752"
40	<b>451-25006</b>	1968396	SCREW, Pole Shoe, Phillips Flat Head, 3/8-24 x .626"
*	<b>452-12004</b>	1956030	STUD, SOLENOID SWITCH, with Dog-Point Tip, 8-32 x .752"
41	<b>454-12005</b>	809593	PIN, INDEXING, DE Housing, .189" x .350"
42	<b>454-12006</b>	1987049	PIN, ROLL, Shift Lever, .201" x .732"

\* Not illustrated. † More DE Housings Pictured on Last Page of This Breakdown.



# DELCO 10MT/SD300 BREAKDOWN

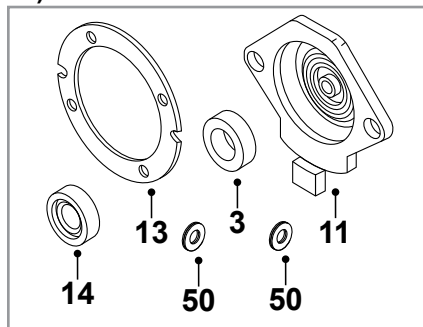


# DELCO 10MT/SD300 BREAKDOWN



KEY	J&N #	OEM #	DESCRIPTION
43	<b>454-12009</b>	1945804	PIN, SHIFT LEVER/PLUNGER, .311" x 1.614"
44	<b>455-08000</b>	1847933	LOCK WASHER, SPLIT, Relay & Switch Studs, .165" x .252" x .039"
	<b>455-12000</b>	1904661	LOCK WASHER, SPLIT, Relay & Switch Studs, .217" x .374" x .063"
45	<b>455-10000</b>	453435	LOCK WASHER, SPLIT, Brush Support Screw, .189" x .315" x .051"
46	<b>455-10001</b>	453474	LOCK WASHER, STAR, Motor Stud, .189" x .374" x .024"
47	<b>455-19000</b>	9421423	LOCK WASHER, SPLIT, Solenoid Attaching & Thru Bolt, .252" x .500" x .063"
48	<b>455-23000</b>	108579	LOCK WASHER, SPLIT, Shift Lever Screw, .327" x .563" x .067"
49	<b>455-25000</b>	9421425	LOCK WASHER, SPLIT, Battery Stud, .374" x .657" x .075"
	<b>455-68000</b>		LOCK WASHER, SPLIT, Battery Stud, 10mm x 17mm x 2.6mm
50	<b>456-22000</b>	1970988	WASHER, OTHER, Shift Lever Bolt Sealing Washer, .315" x .563" x .067"
51	<b>456-31000</b>	1928023	THRUST WASHER, STEEL, Drive, .500" x .732" x .063"
	<b>461-12000</b>	10495828	COLLAR, Thrust, Drive, .476" x .689" x .094"
	<b>461-12008</b>	10495828	COLLAR, Thrust, Drive, .476" x .748" x .087"
52	<b>457-35000</b>	818265	THRUST WASHER, LEATHER, CE, .563" x 1.315" x .126"
	<b>458-12009</b>		THRUST WASHER, FIBER, CE, .563" x 1.315" x .031"
	<b>458-12011</b>	1914842	THRUST WASHER, STEEL, CE, .563" x .996" x .071"
53	<b>458-12005</b>	821453	THRUST WASHER, FIBER, DE, .752" x 2.000" x .091"
54	<b>459-12000</b>	1927848	RETAINING RING, Drive, .437" x .563" x .063"
	<b>459-12004</b>	1928022	RETAINING RING, Drive, .520" x .650" x .067"
55	<b>461-12009</b>	1928021	COLLAR, Drive Stop, .563" x .783" x .157"
	<b>461-12010</b>	1927849	COLLAR, Drive Stop, .472" x .685" x .173"
56	<b>459-12009</b>	11505767	SNAP RING, Shift Lever Pin Retaining, .283" x .343" x .024"
57	<b>462-08000</b>	453434	NUT, HEX, Relay & Switch Studs, 8-32 x .344" x .126"
	<b>462-58001</b>		NUT, HEX, Relay & Switch Studs, M5-0.8 x 8mm x 4mm
58	<b>462-10003</b>	120361	NUT, HEX, Brush Support Attaching, 10-24 x .375" x .126"
59	<b>462-22001</b>		NUT, HEX, Shift Lever Screw, 5/16-18 x .500" x .268"
	<b>462-22003</b>		NUT, HEX, 5/16-18 x .500" x .220"
60	<b>462-25002</b>	1904419	NUT, HEX, Battery Stud, 3/8-16 x .625" x .252"
	<b>462-68000</b>		NUT, HEX, Battery Stud, M10-1.5 x 17mm x 8mm
61	<b>464-12020</b>		SPACER, Motor Stud, .189" x .252" x .626", Use with Standard Solenoid
	<b>464-12021</b>		SPACER, Motor Stud, .201" x .303" x 1.260", Use with Short Solenoid
62	<b>467-12003</b>	9419572	PLUG, EXPANSION, .626" OD
63	<b>467-12017</b>	1916439	OIL WICK, .315" x 2.799"
64	<b>467-12027</b>	9427882	PLUG, Allen Head, 1/8-27 x .297"
65	<b>500-12002</b>	9785608	SHIM, Straight, .016" TH
	<b>500-12028</b>	14057993	SHIM, Offset, .039" TH
	<b>500-12031</b>		SHIM, Straight, .079" TH
	<b>500-12032</b>		SHIM, Offset, .079" TH
66	<b>500-12046</b>		LEAD, Field Coil, Flag Terminals on Ends & Solder Clip
	<b>500-12047</b>		LEAD, Field Coil, Flag Terminals on Ends, 2-Piece Insulation, No Attaching Clip
67	<b>500-12048</b>	1960864	LEAD, Ground Brush
	<b>500-12051</b>	1930694	LEAD, Ground Brush, Used on Brush Holder #151-12010
68	<b>500-12099</b>		KIT, SOLENOID TERMINAL EXTENSION
69	<b>500-12128</b>		KIT, STARTER REPAIR
*	<b>900-02003</b>		STARTER BOX, 12.5"L x 6.5"W x 6.5"H

## 69) STARTER REPAIR KIT



\* Not illustrated.



# DELCO 10MT/SD300 BREAKDOWN

## 27) DE HOUSINGS



371-12001 371-12003 371-12004 371-12006 371-12021 371-12050 371-12051 371-12053



371-12054 371-12055 371-12056 371-12057 371-12058 371-12059 371-12060 371-12061



371-12063 371-12064 371-12065 371-12068 371-12069 371-12070 371-12071



371-12072 371-12073 371-12074 371-12075 371-12076 371-12077 371-12095



371-12100 371-12114 371-12123 371-12124 371-12133 371-12142 371-12150



371-12151 371-12152 371-12157 371-12160 371-12171 371-12175