

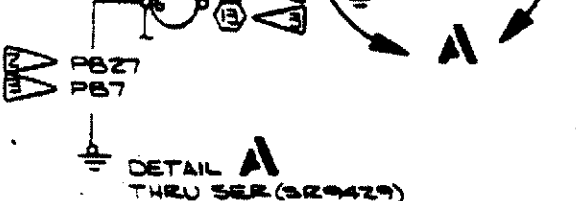
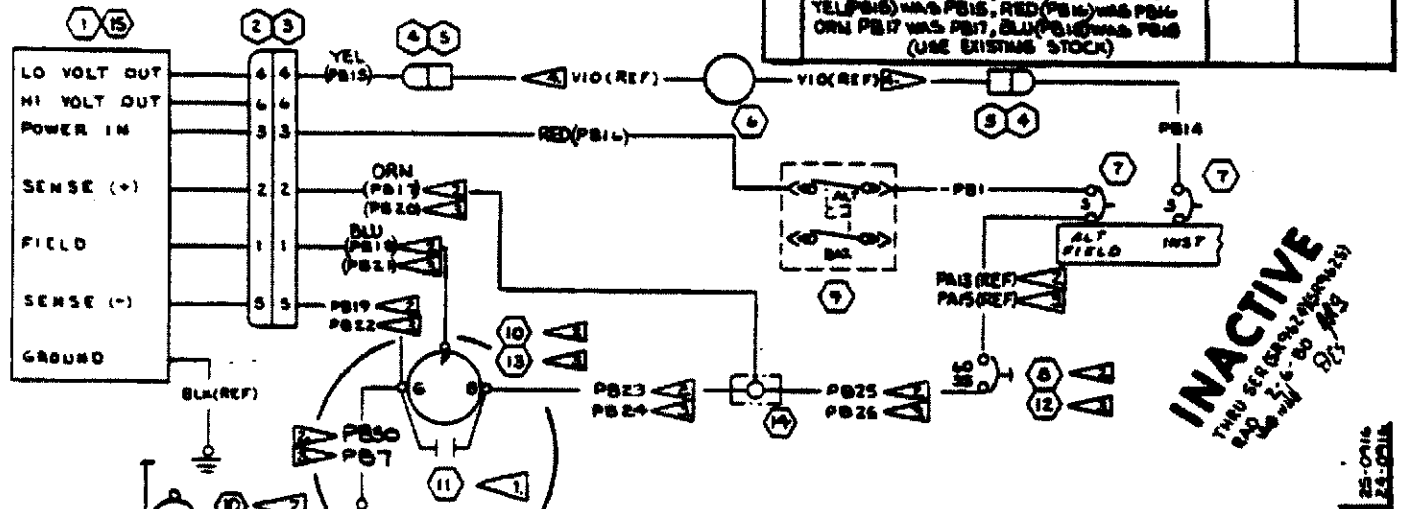
MODEL 172 SERIES SERVICE MANUAL

E	BY REV: ADD 0570451, DETAIL B & SER (SR9624) (SR9625)	RAO	1-21-80	<i>RAO</i>
	BY REV: ADD C611003-0102 (NOW SHOP PRACTICE)	SES		
F	BY REV: DELETE 0570451 & DETAIL B; INACTIVATE DWG; RELEASED FOR PRODUCTION (SR9624) (SR9625)	RAO	3-5-80	<i>RAO</i>

REV	DESCRIPTION	DATE	APPD
A	BY REV: PB25 WAS PB15, PB26 WAS PB4 (SR8773) (SR8774)	DLF 2-28-78	<i>DLF</i>
B	BY REV: PB27 WAS PB12; 5-1943-3 WAS 5-1493-2 / PB27 (SR9145)	DLW 3-31-78	<i>DLW</i>
C	BY REV: ADD DETAIL A; NOTE 4. 5-1232-25 WAS 5-1360-5L; 5-1232-60 WAS 5-1707-60 (SR9929) (SR9109) (SR9105)	ELY HTL 10-18-78	<i>ELY</i>
D	BY REV: 206A WAS 226A / PB15, PB19, PB21, PB22; 104A WAS 226A / PB4, PB21, PB22; 5-2099-8 WAS 5-2099-6, 5-1367-8-10 WAS 5-1867-1-10 / 5-1367-1-12 NOW SHOP PRACTICE ORN / PB20 WAS PB20, BLU / PB21 WAS PB21, YEL / PB16 WAS PB16, RED / PB16 WAS PB16, ORN / PB17 WAS PB17, BLU / PB18 WAS PB18 (USE EXISTING STOCK)	RLK HMG 9-9-79	<i>RLK</i>

NOTES:

- PART OF BASIC AVIONICS KIT FOR USE ON 172 & F172 ONLY
- FOR USE ON R172 & FR172 ONLY
- TERMINATE VENDOR FURNISHED WIRES WITH 5-1636-1 PIN



QTY	DESCRIPTION	REV	DATE	REV	DATE	REV	DATE
1	PB20	5	5-1567-8-9	5-1943-25-1943-3	1		
1	PB24	10	5-1562-10-9	5-1943-25-1943-3	1		
1	PB23	8	5-1562-8-9	5-1493-1 5-1493-2	1		
1	PB22	20		5-2099-6 5-1367-1-12	1		
1	BLU / PB21	16	-1-16-6	5-2099-8 5-1367-1-12	1		
1	ORN / PB20	20	-20-3	5-2099-6 5-1367-1-12	1		
1	PB17	20		5-2099-6 5-1367-1-12	1		
1	BLU / PB16	16	-1-16-6	5-2099-8 5-1367-1-12	1		
1	ORN / PB17	20	-20-3	5-2099-6 5-1367-1-12	1		
1	RED / PB16	20	-20-2	5-2099-6 5-1493-1	1		
1	YEL / PB15	20	-20-4	5-2099-6 5-1493-1	1		
1	PB14	22		5-1562-1-6 5-1635-1	1		
1	PB25	8	5-1562-8-9	5-1943-1 5-1367-4-5	1		
1	PB27	8	5-1562-8-9	5-1943-3 5-1367-4-5	1		
1	PB26	10	5-1562-10-9	5-1367-3 5-1367-3-8	1		
1	PB7	10	5-1562-10-9	5-1367-3 5-1367-3-8	1		
1	PB1	22		5-1493-1 5-1367-4-5	1		

QTY	DESCRIPTION	REV	DATE	REV	DATE	REV	DATE
15	C611003-0102	ALT CONTROL UNIT (ALT)					
1	0570314	TERMINAL BOARD					
13	C611502-0203	ALTERNATOR ASSY					
12	5-1232-55	CIRCUIT BREAKER					
11	5-1915-1	CAPACITOR					
10	C611503-0102	ALTERNATOR ASSY					
9	5-1994-1-1	SWITCH					
8	5-1232-60	CIRCUIT BREAKER					
7	5-1360-5L	CIRCUIT BREAKER					
6	5-2135-2	LAMP ASSY					
5	5-1637-2	HOUSING					
4	5-1637-1	HOUSING					
3	5-2373-2	CONNECTOR					
2	5-2373-1	CONNECTOR					
1	C611003-0101	ALT CONTROL UNIT					

EQUIPMENT TABLE		WIRE TABLE	
PART NO.	DESCRIPTION	CONTRACT NO.	
		NAME	DATE
		DESIGN	11-20-77
		GROUP	WILLIAMS 11-27-77
		DRAWN	C. SHAW 11-27-77
		CHECK	DOOLEY 11-16-77
		SYNCH	
		PROJ	RE WIRE 11-19-77
		APPD	URS
		OTHER	
CES-000 IS APPLICABLE VENDOR CODES PER 8-1400 CES-000-CESBNA SPEC. NO. 8-100 OR CHECK-CESBNA STD. NO.		SUPERSEDES: 0570311 PG 4.50 & 4.51 SUPERSEDED BY: 0570311 PG 4.17	
CES-000 AIRCRAFT CO. 800 E. PARKER WICHITA, KANSAS		TITLE WIRING DIAGRAM - ALTERNATOR SYSTEM 172 F172 R172 & FR172	
SIZE	CODE IDENT.	DWG NO.	
C	71379	0570311	
SCALE	NONE	REV'S (REV'S)	PAGE: 4, 7