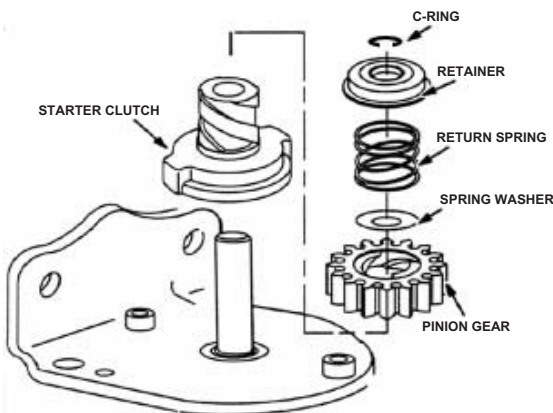




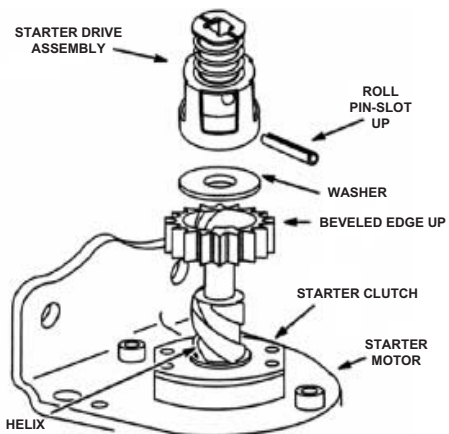
Electric Starter Quick Reference Guide for engines built after 1976.

Please Note: When Possible Always Use Micro Fiche To Look Up Any Briggs & Stratton Parts

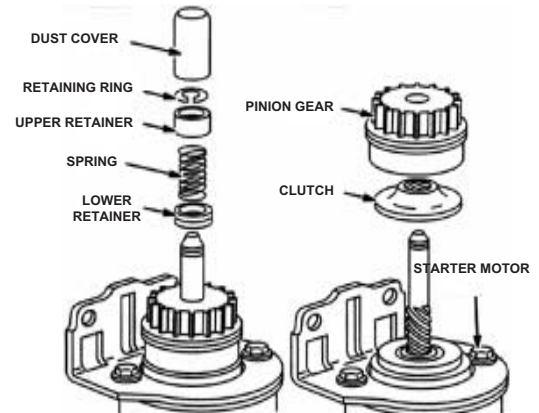
Engine Model	Starter Assembly#	Starter Gear Only#	Drive Assy. # (Bendix)
Single Cylinder Engines			
190400-196499	497595	695708	696541 (C Ring Type)
190700-195799			696540 (Roll Pin Type)
252700-252799			
253700-253799			
198700-198799	693054	695708	696541 (C Ring Type)
19E400-19E499			696540 (Roll Pin Type)
19F400-19F499			
19G400-19G499			
19K400-19K499			
280700-289799	497595 (Plastic Ring Gear)	695708 (Plastic Ring Gear)	696541 (C Ring Type)
28A700-28W799	693054 (Alum. Ring Gear)	695708 (Alum. Ring Gear)	696540 (Roll Pin Type)
	693551 (Steel Ring Gear)	693699 (Steel Ring Gear)	693713 (Steel Ring Gear)
	497401 (Plastic Ring Gear / Starter Housing is Over 4" in Length)		
	499521 (Alum. Ring Gear / Starter Housing is Over 4" in Length)		
Single Cylinder Intek Engines			
310700-310799	497595 (Plastic Ring Gear)	695708 (Plastic Ring Gear)	696541 (C Ring Type)
311700-311799	693054 (Alum. Ring Gear)	695708 (Alum. Ring Gear)	
312700-312799	693551 (Steel Ring Gear)	693699 (Steel Ring Gear)	693713 (Steel Ring Gear)
Opposed Twin Cylinder Engines			
400400-422499	497596	695708	696541 (C Ring Type)
400700-422799			696540 (Roll Pin Type)
40A700-42A799			
460700-460799			
V-Twin Vanguard Engines			
303400-303499	499521	695708	696541 (C Ring Type)
354400-354499	691564 (Steel Pinion Gear)	N/A (Steel Pinion Gear)	496881 (Steel Pinion Gear)
350700-350799			
380400-380499			
380700-380799			
303700-303799	499521	695708	696541 (C Ring Type)
304400-304499	691564 (Steel Pinion Gear)	N/A (Steel Pinion Gear)	496881 (Steel Pinion Gear)
350400-350499			
351400-351499			
351700-351799			
381400-381499	691564 (Steel Pinion Gear)	N/A (Steel Pinion Gear)	496881 (Steel Pinion Gear)
381700-381799			
V-Twin Intek Engines			
405700-405799	497401	695078	696541
406700-406799			
407700-407799	445700-445799		



M0300025 C-Ring Type



Roll Pin Type



Steel Ring Gear