

740-51288

Book #2

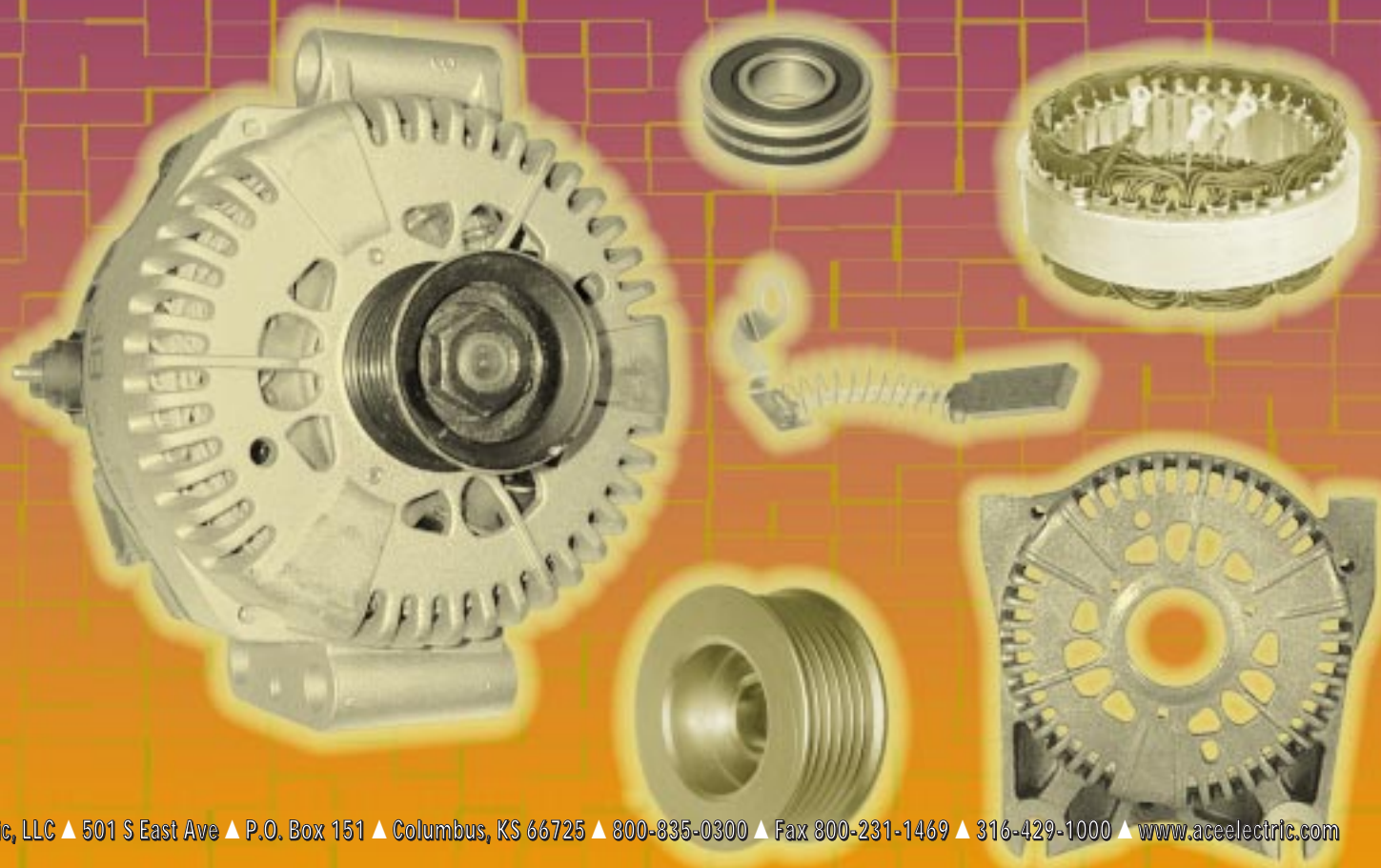
October 2000

# ACE™

## **Alternator Parts**

### **Domestic & Import Applications**

### **Updated Buyer's Guide & Exploded Views**

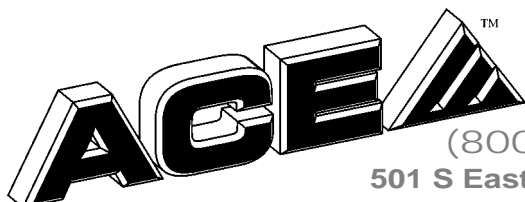


## ABOUT THIS CATALOG

Ace Electric Alternator Components guide 740-51288 features up to date information on the latest units and supplemental information on earlier model alternators. It is designed to be used in conjunction with original catalog number CT-1-28DE.

## TABLE OF CONTENTS ALTERNATOR PARTS CATALOG

Buyer's Guide .....	1-116
Baffle .....	42-47
Bearings .....	1-7
Bearing Chart (By ID) .....	7
Bolts .....	109-111
Brush holder Assemblies .....	17-20
Brush holders & Components .....	21-24
Brushes .....	11-16
Bushings .....	25-29
Capacitors .....	30-31
Collars .....	See Bushings
Connectors .....	32-41
Covers .....	42-47
Fans (External) Also See Rotor Components .....	48
Frame Chart .....	69
Frames, DE .....	49-61
Frames, SRE .....	62-68
Hardware .....	109-114
Insulators .....	70-77
Leads .....	See Connectors
Miscellaneous .....	115-116
Nuts .....	112-113
Pulleys .....	78-93
Rotor Components .....	98-105
Rotors .....	94-97
Screws .....	109-111
Shields .....	See Baffles
Sleeves .....	See Bushings
Stators .....	106-108
Terminal Kits .....	32-41
Terminals .....	32-41
Thru Bolts .....	113-114
Tolerance Rings .....	8-10
Washers .....	111-112
Exploded Views & Breakdowns .....	117-144
Chrysler Round Back .....	117
Chrysler Square Back & Revised Square Back .....	119
Chrysler 100 Amp .....	121
Chrysler 40/90 & 50/120 .....	123
Delco 21 & 22SI .....	125
Delco 33 & 34SI .....	127
Delco CS121 .....	129
Delco CS130 .....	131
Delco CS130D .....	133
Delco CS144 .....	135
Ford Blue Back .....	137
Ford 3G .....	139
Ford 4G .....	141
Ford 6G .....	143



(800) 835-0300 (316) 429-1000  
501 S East Ave • P.O. Box 151 • Columbus, KS 66725

ACE Electric LLC, takes extensive measures to ensure the accuracy of descriptions and applications for each part represented in this publication. The sole intent of this catalog is to aid ACE Customers in the rebuilding of automotive aftermarket products. ACE assumes no responsibility for possible errors. Permission to reproduce any portion of this publication is denied.



ID -----10mm  
OD -----30mm  
W -----9mm

**A-200-2S**  
Ball Bearing  
For: Motorola, Paris Rhone, Delco, Nippondenso  
Replaces: Delco 10456462; Motorola 11-23  
Bearing Reference: 6200



ID -----12mm  
OD -----32mm  
W -----10mm

**A-201-2S**  
Ball Bearing  
For: Bosch, Hitachi, Iskra, Mitsubishi, Nippondenso  
Replaces: Nippondenso 949100-0570, 949100-1750, 949100-2160, 949100-2590  
Bearing Reference: 6201



ID -----15mm  
OD -----35mm  
W -----11mm

**A-202-2S**  
Ball Bearing  
For: Bosch, Delco CS130D, Hitachi, Lucas, Mitsubishi, Nippondenso  
Replaces: Bosch 1-100-900-000; Delco 10475023; Lucas 54160090, UTB100, Nippondenso 949100-0070, 949100-0160; S930P61700  
Bearing Reference: 6202



ID -----17mm  
OD -----40mm  
W -----12mm

**A-203-1S (Sealed One Side)**  
**A-203-2S (Sealed Both Sides)**  
Ball Bearing  
For: Bosch, Chrysler, Delco, Ford, Hitachi, Leece-Neville, Motorola, Nippondenso  
Replaces: Bosch 1-900-905-271, -273, -277; Delco 10469092, 10473403; Ford C9ZZ-10094-A; Leece-Neville 26853; Toyota 90099-10013; Nippondenso 949100-0080, 949100-0170, 949100-1820, 949100-2030  
Bearing Reference: 6203  
▲ Double Seal



ID -----17mm  
OD -----40mm  
W -----12mm

**A-203-2ST**  
Ball Bearing  
For: Ford 4G Series  
Replaces: Ford F5OU-10A304-AA  
Used on: Ford, Lincoln, Mercury  
▲ S.R.E. Bearing  
▲ Two Embedded Tolerance Rings



ID -----20mm  
OD -----47mm  
W -----14mm

**A-204-2S**  
Ball Bearing  
For: Autolite, Bosch, Delco, Ducellier, Leece-Neville, Nippondenso  
Bearing Reference: 6204



ID -----25mm  
OD -----52mm  
W -----15mm

**A-205-2S**  
Ball Bearing  
For: Delco, Leece-Neville, Mitsubishi, Motorola  
Replaces: Delco 904983; Leece Neville 29656; Motorola 11-40  
Bearing Reference: 6205



ID -----15mm  
OD -----42mm  
W -----13mm

**A-302-2S**  
Ball Bearing  
For: Hitachi, Mitsubishi  
Bearing Reference: 6302



ID -----17mm  
OD -----47mm  
W -----14mm

**A-303-2S**  
Ball Bearing  
For: Chrysler, Delco CS130, CS130D, CS144, Ford 3G, 4G, 6G  
Bearing Reference: 6303

Additional Alternator Bearings may be found in companion catalog "Ace Alternator Parts Buyers Guide - Book #1"



ID -----20mm  
OD -----52mm  
W -----15mm

**A-304-2S**  
Ball Bearing  
For: Leece-Neville, Nippondenso  
Replaces: Leece-Neville 57166  
Bearing Reference: 6304



ID -----15mm  
OD -----52mm  
W -----16mm

**A-382-2S**  
Ball Bearing  
For: Nippondenso  
Used on: Geo, Toyota  
Bearing Reference: 382



ID -----12mm  
OD -----32mm  
W -----14mm

**A-5201-2S**  
Ball Bearing  
For: Bosch  
Replaces: Bosch 1-120-905-024, -031, -274, -282  
Used on: John Deere, Fiat, Iveco, Volvo Trucks  
Bearing Reference: 62201



ID -----25mm  
OD -----62mm  
W -----17mm

**A-305-2S**  
Ball Bearing  
For: Delco, Ford, Leece-Neville, Motorola, Nippondenso, Prestolite  
Replaces: Delco 907940; Ford E2HZ-10A303-A; Leece-Neville 76262; Motorola 11-34  
Bearing Reference: 6305



ID -----8mm  
OD -----22mm  
W -----11mm

**A-874-2S**  
Ball Bearing  
For: Mitsubishi  
Used on: Dodge, Mitsubishi, Nissan, Plymouth  
Lester: 14447, 14655, 14656, 14657, 14693, 14694, 14697, 14699, 14706, 14709, 14725, 14908, 14917, 14950  
Bearing Reference: B8-74D  
▲ With Retaining Ring



ID -----15mm  
OD -----35mm  
W -----13mm

**A-5202-2S**  
Ball Bearing  
For: Nippondenso  
Used on: Acura, Chrysler, Daihatsu, Dodge, Eagle, Geo, Honda, Isuzu, Jeep, John Deere, Lexus, Plymouth, Sterling, Toyota, Volvo



ID -----15mm  
OD -----38mm  
W -----19mm

**A-348-2S**  
Ball Bearing  
For: Nippondenso  
Used on: Chevrolet, Daihatsu, Geo, Isuzu, Suzuki, Toyota  
Lester: 13214, 13239, 14733, 14843, 14940  
Bearing Reference: 348



ID -----8mm  
OD -----23mm  
W -----14mm

**A-885-2S**  
Ball Bearing  
For: Mando, Mitsubishi  
Bearing Reference: B8-85D  
▲ With Retaining Ring



ID -----17mm  
OD -----40mm  
W -----17.5mm

**A-5203-2S**  
Ball Bearing  
For: Motorola  
Replaces: Motorola 11-39  
Bearing Reference: W6203

Additional Alternator Bearings may be found in companion catalog "Ace Alternator Parts Buyers Guide - Book #1"



ID -----25mm  
OD -----52mm  
W -----20.6mm

**A-5205-2S**  
Ball Bearing  
For: Leece-Neville  
Replaces: Leece-Neville 32054, 36686, 4090  
Bearing Reference: W6205



ID -----12mm  
OD -----28mm  
W -----8mm

**A-6001-2S**  
Ball Bearing  
For: Bosch, Hitachi, Nippondenso  
Replaces: Bosch 1-900-905-103, -164, -167  
Used on: Massey Ferguson, Nissan, Opel, Porsche, Volkswagen  
Bearing Reference: 6001



ID -----10mm  
OD -----27mm  
W -----11mm

**A-6006-2S**  
Ball Bearing  
For: Ford 6G S.R.E.  
Used on: Ford, Lincoln, Mercury  
Bearing Reference: B10-50D  
▲ Similar to A-6950-2S except without retainer groove



ID -----10mm  
OD -----26mm  
W -----8mm

**A-6000-2S**  
Ball Bearing  
For: Delco CS121 & CS130, Mitsubishi, Nippondenso  
Replaces: Delco 1989646, 10472207; Nippondenso 949100-2760  
Bearing Reference: 6000



ID -----15mm  
OD -----32mm  
W -----9mm

**A-6002-2S**  
Ball Bearing  
For: Hitachi, Mitsuba, Mitsubishi, Nippondenso  
Replaces: Delco 10498717  
Bearing Reference: 6002



ID -----10mm  
OD -----27mm  
W -----14mm

**A-6008-2S**  
Ball Bearing  
For: Mitsubishi  
Used on: Dodge, Ford, Mercury, Mitsubishi  
Lester: 13212  
Bearing Reference: SC008ILHIA  
▲ Two Embedded Tolerance Rings



ID -----10mm  
OD -----26mm  
W -----8mm

**A-6000-XX**  
Ball Bearing  
For: Delco CS144, Ford 3G  
Replaces: Delco 1989711, 10474532  
▲ Two Embedded Tolerance Rings



ID -----17mm  
OD -----35mm  
W -----10mm

**A-6003-2S**  
Ball Bearing  
For: Delco, Mitsubishi, Nippondenso  
Replaces: Delco 10456461  
Bearing Reference: 6003



ID -----17mm  
OD -----47mm  
W -----18mm

**A-6107-2S**  
Ball Bearing  
For: Mitsubishi  
Used on: Ford, Infiniti, Mercury, Nissan  
Lester: 13212, 13286  
Bearing Reference: B17-107D, TMB303LU

Additional Alternator Bearings may be found in companion catalog "Ace Alternator Parts Buyers Guide - Book #1"



ID -----10mm  
OD -----30mm  
W -----14.3mm

**A-6200-2S**  
Ball Bearing  
For: Motorola  
Replaces: Motorola 11-43  
Bearing Reference: W6200



ID -----12mm  
OD -----35mm  
W -----18mm

**A-6901-2S**  
For: Nippondenso  
Replaces: Nippondenso 949100-2140  
Used On: Caterpillar, John Deere



ID -----15mm  
OD -----43mm  
W -----13mm

**A-6941**  
Ball Bearing  
For: Mitsubishi, Nippondenso  
Used on: Honda, Isuzu, Toyota  
Lester: 14678, 14733, 14757, 14851, 14940  
Bearing Reference: 319, 329



ID -----17mm  
OD -----62mm  
W -----17mm

**A-6403**  
Ball Bearing  
For: Bosch  
Replaces: Bosch 1-120-900-010, 1-900-900-391  
Used on: Mercedes Truck  
Bearing Reference: 6403



ID -----8mm  
OD -----23mm  
W -----14mm

**A-6905**  
Ball Bearing  
For: Mando, Mitsubishi  
Bearing Reference: SC8A05LHI  
▲ Two Embedded Tolerance Rings



ID -----17mm  
OD -----52mm  
W -----16mm

**A-6942-2S**  
Ball Bearing  
For: Nippondenso  
Used on: Acura, Chrysler, Dodge, Eagle, Geo, Honda, Isuzu, Jeep, Lexus, Plymouth, Toyota, Volvo  
Bearing Reference: 333



ID -----10mm  
OD -----23mm  
W -----11mm

**A-6900-2S**  
Ball Bearing  
For: Hitachi  
Used On: Nissan  
Lester: 14655, 14717  
Bearing Reference: B10-46D  
▲ With Retaining Ring



ID -----15mm  
OD -----47mm  
W -----18mm

**A-6906**  
Ball Bearing  
For: Mitsubishi  
Used on: Ford, Mercury, Nissan, Subaru  
Lester: 13188, 13189, 13190, 13230, 13263, 13298, 14979  
Bearing Reference: B15-83D



ID -----15mm  
OD -----47mm  
W -----14mm

**A-6943-2S**  
Ball Bearing  
For: Mitsubishi  
Used on: Dodge, Eagle, Ford, Geo, Honda, Hyundai, Mazda, Mercury, Mitsubishi, Nissan, Plymouth, Subaru, Suzuki  
Bearing Reference: B15-86D, TMB303LUX

Additional Alternator Bearings may be found in companion catalog "Ace Alternator Parts Buyers Guide - Book #1"



ID-----8mm  
OD-----23mm  
W-----11mm

**A-6945**  
Ball Bearing  
For: Mando, Mitsubishi  
Used on: Hyundai, Subaru, Toro  
Lester: 13318  
Bearing Reference: B8-79D  
▲ With Retaining Ring



ID-----10mm  
OD-----26mm  
W-----10mm

**A-7000-2S**  
Ball Bearing  
For: Delco CS121, CS130  
Replaces: Delco 10473711  
Bearing Reference: 62000



ID-----17mm  
OD-----47mm  
W-----24mm

**A-9000-2S**  
Ball Bearing  
For: Mitsubishi  
Used on: Dodge, Mitsubishi  
Bearing Reference: 2817-4D



ID-----10mm  
OD-----27mm  
W-----11mm

**A-6950-2S**  
Ball Bearing  
For: Hitachi  
Used on: Honda, Infiniti, Isuzu, Nissan, Subaru  
Lester: 13250, 13273, 13275, 13285, 13287, 13327, 13329, 14241, 14242, 14719, 14743, 14859, 14860, 14979  
Bearing Reference: B10-50D  
▲ With Retaining Ring



ID-----15mm  
OD-----32mm  
W-----11mm

**A-8002-2S**  
Ball Bearing  
For: Nippondenso  
Used On: Chevrolet, Daihatsu, Isuzu, Suzuki, Toyota Forklift  
Lester: 13214, 13239, 13255, 13414, 13485, 13522, 14684, 14733, 14843, 14870, 14937, 14940  
Bearing Reference: W6002



ID-----17mm  
OD-----52mm  
W-----18mm

**A-9001-2S**  
Ball Bearing  
For: Mitsubishi  
Used on: Ford, Lincoln, Mazda  
Bearing Reference: B17-116D



ID-----15mm  
OD-----46mm  
W-----14mm

**A-6959**  
Ball Bearing  
For: Nippondenso  
Replaces: 949100-3360  
Used on: Acura, Chevrolet, Chrysler, Daihatsu, Dodge, Geo, Honda, Isuzu, Plymouth, Sterling, Toyota  
Bearing Reference: 336



ID-----17mm  
OD-----52mm  
W-----17mm

**A-8333-2S**  
Ball Bearing  
For: Bosch, Ford 6G  
Replaces: Bosch 1-120-905-012, -054, -055; Koyo 83B218CS16; NSK B17-99D  
Used on: Audi, BMW, Ford, Jaguar, Lincoln, Mercedes, Mercury  
Lester: 13243, 13260, 13269, 13270, 13359, 13366, 13376, 13469, 13471, 13526, 14820



ID-----12mm  
OD-----37mm  
W-----12mm

**A-9002-2S**  
Ball Bearing  
For: Mitsubishi  
Bearing Reference: 6301

Additional Alternator Bearings may be found in companion catalog "Ace Alternator Parts Buyers Guide - Book #1"



ID -----10mm  
 OD -----17mm  
 L -----15mm

**A-1130**  
 Needle Bearing Raceway  
 For: Delco CS144  
 ▲ Slip Ring End Bearing Journal  
 ▲ Convert early CS144 Rotors to accommodate 15SI, 17SI, and late CS144 SRE Frames with Needle Bearing  
 ▲ Also see RK-1130, this section



ID -----17mm  
 OD -----23.8mm  
 L -----17.4mm

**A-2430**  
 Needle Bearing  
 For: Chrysler, Delco, Ford  
 Replaces: Chrysler 3755184, Delco 9418076, 9436831, 10470441; Ford D2OZ-10A304-A



ID -----22.2mm  
 OD -----30.1mm  
 L -----20.6mm

**A-2435-R**  
 Roller Bearing  
 For: Delco 25SI, 26SI, 27SI Type 205, 30SI, 33SI, 34SI  
 Replaces: Delco 9436064  
 Note: Use with A-2436 Race  
 ▲ Both Ends Open



ID -----17mm  
 OD -----23.8mm  
 OAL -----22.6mm

**A-2421**  
 Needle Bearing  
 For: Delco 15SI Type 116, 21SI  
 Replaces: Delco 9439542, 10472936  
 Bearing Reference: DB54703  
 ▲ Double-Lip Seal



ID -----17mm  
 OD -----23.8mm  
 OAL -----31.2mm

**A-2431**  
 Needle Bearing  
 For: Delco 20SI, 27SI Type-200, 21SI (late), 22SI, 29SI, 40SI  
 Replaces: Delco 9437171



ID -----17mm  
 OD -----22.2mm  
 L -----25.4mm

**A-2436**  
 Inner Race  
 For: Delco 25SI, 26SI, 30SI, 33SI, 34SI  
 Replaces: Delco 9436063  
 Note: Use with A-2435-R roller bearing



ID -----17mm  
 OD -----23.8mm  
 L -----15.7mm

**A-2429**  
 Needle Bearing  
 For: Chrysler Marine Applications  
 Replaces: CH-1467, 2095923  
 Bearing Reference: NJ47  
 ▲ Both Ends Open



ID -----17mm  
 OD -----23.8mm  
 OAL -----20.7mm

**A-2434**  
 Needle Bearing  
 For: Chrysler, Delco, Leece-Neville  
 Replaces: Chrysler 3874074; Delco 1975322; Leece-Neville 78625



ID -----17mm  
 OD -----23.8mm  
 L -----19.5mm

**A-2438**  
 Needle Bearing  
 For: Chrysler, Delco  
 Replaces: Delco 1974862  
 ▲ Double-Lip Seal

Additional Alternator Bearings may be found in companion catalog "Ace Alternator Parts Buyers Guide - Book #1"





ID-----11mm  
OD-----17.5mm  
L-----16.5mm

**A-3389**  
Needle Bearing  
For: Delco European  
Replaces: Delco 3472455



**RK-1130**  
Bearing Conversion Kit  
For: Delco CS121, CS130  
▲ Instructions included

## Bearing Chart

ID	OD	Width	Part Number	Description	ID	OD	Width	Part Number	Description
8mm	22mm	11mm	A-874-2S	BALL BRG	15mm	47mm	14mm	A-6943-2S	BALL BRG
8mm	23mm	14mm	A-885-2S	BALL BRG	15mm	46mm	14mm	A-6959	BALL BRG
8mm	23mm	14mm	A-6905	BALL BRG	15mm	32mm	11mm	A-8002-2S	BALL BRG
8mm	23mm	11mm	A-6945	BALL BRG	17mm	40mm	12mm	A-203-1S	BALL BRG
10mm	30mm	9mm	A-200-2S	BALL BRG	17mm	40mm	12mm	A-203-2ST	BALL BRG
10mm	26mm	8mm	A-6000-2S	BALL BRG	17mm	47mm	14mm	A-303-2S	BALL BRG
10mm	26mm	8mm	A-6000-XX	BALL BRG	17mm	40mm	17.5mm	A-5203-2S	BALL BRG
10mm	27mm	11mm	A-6006-2S	BALL BRG	17mm	35mm	10mm	A-6003-2S	BALL BRG
10mm	27mm	14mm	A-6008-2S	BALL BRG	17mm	47mm	18mm	A-6107-2S	BALL BRG
10mm	30mm	14.3mm	A-6200-2S	BALL BRG	17mm	62mm	17mm	A-6403	BALL BRG
10mm	23mm	11mm	A-6900-2S	BALL BRG	17mm	52mm	16mm	A-6942-2S	BALL BRG
10mm	27mm	11mm	A-6950-2S	BALL BRG	17mm	52mm	17mm	A-8333-2S	BALL BRG
10mm	26mm	10mm	A-7000-2S	BALL BRG	17mm	47mm	24mm	A-9000-2S	BALL BRG
10mm	17mm	15mm	A-1130	NEEDLE RACE	17mm	52mm	18mm	A-9001-2S	BALL BRG
11mm	17.5mm	16.5mm	A-3389	NEEDLE BRG	17mm	23.8mm	22.6mm	A-2421	NEEDLE BRG
12mm	32mm	10mm	A-201-2S	BALL BRG	17mm	23.8mm	15.7mm	A-2429	NEEDLE BRG
12mm	32mm	14mm	A-5201-2S	BALL BRG	17mm	23.8	17.4mm	A-2430	NEEDLE BRG
12mm	28mm	8mm	A-6001-2S	BALL BRG	17mm	23.8mm	31.2mm	A-2431	NEEDLE BRG
12mm	35mm	18mm	A-6901-2S	BALL BRG	17mm	23.8mm	20.7mm	A-2434	NEEDLE BRG
12mm	37mm	12mm	A-9002-2S	BALL BRG	17mm	22.2mm	25.4mm	A-2436	NEEDLE BRG
15mm	35mm	11mm	A-202-2S	BALL BRG	17mm	23.8mm	19.5mm	A-2438	NEEDLE BRG
15mm	42mm	13mm	A-302-2S	BALL BRG	20mm	47mm	14mm	A-204-2S	BALL BRG
15mm	38mm	19mm	A-348-2S	BALL BRG	20mm	52mm	15mm	A-304-2S	BALL BRG
15mm	52mm	16mm	A-382-2S	BALL BRG	22.2mm	30.1mm	20.6mm	A-2435-R	NEEDLE BRG
15mm	35mm	13mm	A-5202-2S	BALL BRG	25mm	52mm	15mm	A-205-2S	BALL BRG
15mm	32mm	9mm	A-6002-2S	BALL BRG	25mm	62mm	17mm	A-305-2S	BALL BRG
15mm	47mm	18mm	A-6906	BALL BRG	25mm	52mm	20.6mm	A-5205-2S	BALL BRG
15mm	43mm	13mm	A-6941	BALL BRG					

Additional Alternator Bearings may be found in companion catalog "Ace Alternator Parts Buyers Guide - Book #1"

## Chrysler



S-2434  
Bearing Retainer  
For: Chrysler Round Back,  
Square Back  
Replaces: Chrysler 2095012



S-3814  
Tolerance Ring  
For: Chrysler Corporate 40/90, 50/120  
Replaces: Chrysler 4433831  
▲ For A-203-2S Bearing



S-1011  
Bearing Retainer  
For: Delco CS121  
▲ Snap-on type, for 6203 / A-203-2S  
Bearing

## Delco



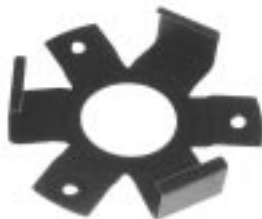
S-4001  
Bearing Retainer  
For: Chrysler Corporate 40/90  
& 50/120  
Replaces: Chrysler 5226622



S-865-A  
Bearing Retainer  
For: Delco CS144  
Replaces: Delco 1911263  
▲ For 6203 / A-203-2S Bearing



S-1017  
Bearing Retainer  
For: Delco CS144  
▲ Snap-on type, for 6303 / A-303-2S  
Bearing



S-4087  
Bearing Retainer  
For: Chrysler Revised Square Back  
Replaces: Chrysler 2098478, 3656444,  
4091398, 4091402



S-867  
Bearing Retainer  
For: Delco 21SI, 22SI and Ford Truck  
65-90 Amp  
Replaces: Delco 10467271; Ford  
C7TZ-10A355-A, GY-840



C-3255  
Bearing Retainer  
For: Delco 25SI, 26SI, 30SI, 34SI  
Replaces: Delco 1970407

Additional Bearing Support Components  
may be found in companion catalog  
"Ace Alternator Parts Buyers Guide -  
Book #1"

*Delco*



S-6050  
Bearing Retainer  
For: Delco CS130D  
▲ Snap-on type, facilitates Bearing replacement when salvaging OEM End Frames



10-32 x 1/2

S-128PW  
Bearing Retaining Screw  
For: Ace CS130 DE Frames  
▲ For Ace DE Frames with 6203 / A-203-2S Bearing  
▲ Low Profile Phillips, Truss Head, Grade-5



S-1696  
Tolerance Ring  
For: Delco CS121, CS130  
Replaces: Delco 1989648, 10496501  
▲ For A-6000-2S Bearing



S-1675  
Tolerance Ring  
For: Delco CS121, CS130  
Replaces: Delco 10469356  
Feature: .445" Long, Single Tab-Key  
▲ For A-6000-2S Bearing



S-1685  
Tolerance Ring  
For: Delco CS130  
Replaces: Delco 10473712  
Feature: .370" Long, Single Tab-Key & Hold Down Lip  
▲ For A-6000-2S, A-7000-2S Bearing



S-6022 ... Ace Exclusive  
Tolerance Ring  
For: Delco CS130D  
▲ For Salvaging CS130D Brush Holders  
▲ Brush Holder Available as S-6025  
▲ See Brush Holder Section (this catalog)

*Ford*



S-1923  
Bearing Retainer  
For: Ford 3G, 6G  
Replaces: Ford F67U-10A355-AA  
▲ For standard 6303 / A-303-2S Bearing



S-6808  
Bearing Retainer  
For: Ford 4G  
Replaces: Ford F50U-10A355-AA  
▲ For 6303 / A-303-2S Bearing



10-24 x 9/16 L x 5/16 Hex

S-4204  
Bearing Retaining Screw  
For: Ford  
▲ Hardened, with Belleville Washer attached

Additional Bearing Support Components may be found in companion catalog "Ace Alternator Parts Buyers Guide - Book #1"

## Ford

### 6G New Item In Process

S-6827  
Tolerance Ring  
For: Ford 6G  
Replaces: Ford F8AU-10986-AA  
▲ For A-6006-2S Bearing

## Mitsubishi



ID-----9mm  
OD-----22mm

S-4979  
SRE Bearing Ring  
For: Mitsubishi  
Fits: Mitsubishi Internal Fan Alternators

## Nippondenso



S-5022  
DE Bearing Retainer  
For: Nippondenso  
Replaces: Nippondenso 021411-0570  
Fits: Nippondenso 121000-300, 330, 331, 333, 336, 338, 339, 340, 343, 344, 345, 348, 400, 401, 403, 404, 405, 406, 407, 408, 409; Chrysler 4557301, 4609034; 5233418, 3449, 3599, 3608, 3660, 3673, 3949, 4029, 4031, 4032, 4033, 4199, 4208, 4260, 4374, 4651; 5605684, 5605685  
Lester: 13184, 185, 245, 256, 276, 278, 280, 301, 302, 304-thru-313, 321, 325, 331, 341, 354, 385, 387, 389, 393, 394, 407, 410, 413, 440, 442, 443, 453, 484, 487, 489, 495, 497, 498, 506, 519, 525, 552, 554; 14460  
▲ For A-6942-2S Bearing



ID-----15mm  
OD-----21.8mm

S-5024  
SRE Bearing Ring  
For: Nippondenso  
Replaces: Nippondenso 021506-0070  
Fits: Nippondenso Internal Fan Alternators  
▲ External Cover



ID-----15.4mm  
OD-----26mm

S-5078  
SRE Bearing Ring  
For: Nippondenso  
Fits: Nippondenso Internal Fan Alternators  
▲ Internal Cover



ID-----24.5mm  
OD-----35.2mm

S-5558  
SRE Bearing Wave Washer  
For: Nippondenso

## Valeo



S-5174  
Tolerance Ring  
For: Paris Rhone A13R, A14R Series  
Lester: 13165; 14039, 040, 308, 567, 581, 584, 955  
▲ For 6201 / A-201-2S Bearing

Additional Bearing Support Components may be found in companion catalog "Ace Alternator Parts Buyers Guide - Book #1"

# Bosch



L -----17.0mm  
W -----10.0mm  
T -----5.0mm

## WA-17

Used on: Alfa Romeo, Audi, BMW, Mercedes, Opel, Porsche, Saab, Volkswagen, Volvo

Replaces: Bosch 1-124-014-001, 1-124-320-013, -028, -029; 1-127-014-009 (set)

Lester: 13008, 13009, 13011, 13013, 13015, 13018, 13030, 13034, 13038, 13040, 13069, 13079, 13162



L -----15.5mm  
W -----8.0mm  
T -----5.0mm

## WA-132

Used on: AMC, Alfa Romeo, Audi, BMW, Chrysler, Fiat, Ford, Iveco, Jeep, John Deere, Lancia, Mercedes, Opel, Porsche, Saab, Volkswagen, Volvo

Replaces: Bosch 1-124-320-024, -027, -040; 1-127-014-008, -011 (sets)

Lester: 13026, 13028, 13032, 13050, 13054



L -----15.5mm  
W -----8.0mm  
T -----5.0mm

## WA-132-S

Replaces: Bosch 1-127-014-011 (set)  
Lester: 13026, 13028, 13032, 13050, 13054

▲ Insulated Lead



L -----19.0mm  
W -----8.0mm  
T -----5.0mm

## WA-145

Replaces: Bosch 1-124-320-046, -047, -051, -062, -074; 1-127-014-017, -018, -019, -020, -022, -030 (sets)

Lester: 13018, 13023, 13054, 13055, 13056, 13067, 13077, 13093, 13094, 13101, 14396, 14821, 14824, 14825, 14965, 14969, 14970, 14971, 14972, 14992, 14993, 14996, 14999

▲ Insulated Lead

# Chrysler



L -----370  
Dia. -----240

## CH-1-R

Replaces: Chrysler 2095039  
Fits: Early Chrysler Round Back  
Lester: 7000, 7006

▲ Use with CH-8-R



L -----370  
Dia. -----240

## CH-8-R

Replaces: Chrysler 3438202  
Fits: Chrysler Round and Square Back  
Lester: 7022, 7023, 7024, 7503, 7505, 7507, 7509, 7510, 7514, 7520, 7523

▲ Use with CH-1-R or CH-9-R



L -----370  
Dia. -----240

## CH-9-R

Replaces: Chrysler 2875374  
Fits: Chrysler Round and Square Back  
Lester: 7022, 7023, 7024, 7503, 7505, 7507, 7509, 7510, 7514, 7520, 7523

▲ Use with CH-8-R



L -----370  
Dia. -----300

## CH-10

Replaces: Chrysler 3755778  
Fits: Chrysler Early 100 Amp  
Lester: 7521, 7535

▲ Use with CH-19



L -----370  
Dia. -----240

## CH-15

Replaces: Chrysler 4091426  
Fits: Chrysler Revised Square Back  
Lester: 7532, 7533, 7536, 14250

▲ Use with CH-16

Additional Brushes may be found in companion catalog "Ace Alternator Parts Buyers Guide - Book #1"

## Chrysler



L.....370  
Dia. ....240

## CH-16

Replaces: Chrysler 4091427  
Fits: Chrysler Revised Square Back  
Lester: 7532, 7533, 7536, 14250  
▲ Use with CH-15



L.....440  
Dia. ....240

## CH-17

Replaces: Chrysler 5206920  
Fits: Chrysler Revised Square Back  
Lester: 7532, 7533, 7537, 14250  
▲ Tapped Hole  
▲ Use with CH-18



L.....440  
Dia. ....240

## CH-18

Replaces: Chrysler 5206923  
Fits: Chrysler Revised Square Back  
Lester: 7532, 7533  
▲ Tapped Hole  
▲ Use with CH-17



L.....370  
Dia. ....300

## CH-19

Replaces: Chrysler 3755777  
Fits: Chrysler Early 100 Amp  
Lester: 7521, 7535  
▲ Use with CH-10



L.....510  
W.....225  
T.....225

## CH-20

Replaces: Chrysler 5226081  
Fits: Chrysler Corporate 40/90 Amp,  
50/120 Amp  
Lester: 7002, 7552, 7557  
▲ Use with CH-21



L.....510  
W.....225  
T.....225

## CH-21

Replaces: Chrysler 5226082  
Fits: Chrysler Corporate 40/90 Amp,  
50/120 Amp  
Lester: 7002, 7552, 7557  
▲ Use with CH-21

## Delco



L.....875  
W.....240  
T.....200

## R-117

Replaces: Delco 1894564  
Fits: Delco 10SI Type 116 & 136, 15SI  
Type 116, 21SI  
Lester: 7109, 7176, 7178, 7181, 7182,  
7186, 7188M, 7190



L.....890  
W.....320  
T.....200

## R-131

Replaces: Delco 1989783  
Fits: Delco CS144  
▲ Field Brush



L.....890  
W.....320  
T.....200

## R-132

Replaces: Delco 1989661  
Fits: Delco CS121, CS130, CS144  
▲ Ground Brush

Additional Brushes may be found in  
companion catalog "Ace Alternator  
Parts Buyers Guide - Book #1"

*Delco*



L.....890  
W.....320  
T.....200

R-133  
Replaces: Delco 1989660  
Fits: Delco CS121 & CS130  
▲ Field Brush



L.....945  
W.....315  
T.....200

RA-150  
Fits: Delco CS130D  
▲ Ground Brush



L.....945  
W.....315  
T.....200

RA-151  
Fits: Delco CS30D  
▲ Field Brush

*Ford*



L.....625  
W.....250  
T.....188

F-60  
Replaces: Ford D4HZ-10347A  
Fits: Ford 65-90 Amp Truck, Blue Back



L.....716  
W.....295  
T.....156

F-63  
Replaces: Ford E2HZ-10347  
Fits: Ford 65-90 Amp Truck, Blue Back



L.....709  
W.....292  
T.....152

F-67  
Fits: Ford 3G Late Style  
▲ End terminal available, BT-400



L.....716  
W.....298  
T.....158

F-68  
Replaces: E9DF-10A367-AA  
Fits: Ford 3G Early Style

**6G**  
**New Item**  
**In Process**

F-76  
For: Ford 6G

*Hitachi*



L.....16.0mm  
W.....7.0mm  
T.....5.0mm

DA-55  
Lester: 14185, 14255, 14301  
▲ Insulated D-85

Additional Brushes may be found in companion catalog "Ace Alternator Parts Buyers Guide - Book #1"

# Hitachi



L -----16.0mm  
W -----7.0mm  
T -----6.0mm

**DA-58**  
Used on: Nissan  
Lester: 14101, 14103, 14107, 14114  
▲ Use with DA-59



L -----16.0mm  
W -----7.0mm  
T -----6.0mm

**DA-59**  
Used on: Nissan  
Lester: 14101, 14103, 14107, 14114  
▲ Use with DA-58



L -----16.0mm  
W -----7.0mm  
T -----5.0mm

**DA-85**  
Used on: Allis-Chalmers, GM (import), Massey Ferguson, Nissan, Subaru, Yanmar  
Lester: 14185, 14231, 14255, 14300, 14301, 14303, 14535, 14585, 14587, 14588, 14592, 14647, 14665, 14721, 14722, 14746, 14747, 14751  
▲ Same as DA-55 w/o Insulation



L -----20.0mm  
W -----7.0mm  
T -----5.0mm

**HA-146**  
Used on: GM w/diesel, Isuzu w/diesel, Nissan w/diesel  
Lester: 14586, 14615, 14645, 14648, 14649, 14653, 14654, 14663, 14730, 14731, 14753, 14858, 14874, 14952



L -----19.0mm  
W -----8.0mm  
T -----5.0mm

**HA-147**  
Used on: Nissan  
Lester: 13250, 13273, 13327, 14241, 14242, 14657, 14719, 14743, 14860, 14979



L -----26.0mm  
W -----8.0mm  
T -----5.0mm

**HA-148**  
Used on: Infiniti, Isuzu, Nissan, Subaru  
Lester: 13275, 13285, 13287, 13327, 13329, 13564



L -----26.5mm  
W -----8.0mm  
T -----5.0mm

**HA-149**  
Used on: Infiniti, Nissan  
Lester: 13261, 13477

# Lucas



L -----12.5mm  
W -----4.5mm  
T -----4.5mm

**LU-49**  
Fits: Lucas 15, 16, 17, 18, 20, 23, 25ACR Series  
Replaces: Lucas 54218811, 54219368, 60600368, ILB103, ULB110 (sets)  
Lester: 13141, 13146, 13163, 13164, 14001, 14002, 14008, 14013, 14023, 14024, 14029, 14030, 14031, 14037, 14050, 14054, 14055, 14056, 14085, 14087, 14088  
▲ Use with LU-50



L -----12.5mm  
W -----4.5mm  
T -----4.5mm

**LU-50**  
Fits: Lucas 15, 16, 17, 18, 20, 23, 25ACR Series  
Replaces: Lucas 54218706, 54219368, 60600368, ILB103, ULB110 (sets)  
Lester: 13141, 13146, 13163, 13164, 14001, 14002, 14008, 14013, 14023, 14024, 14029, 14030, 14031, 14037, 14050, 14054, 14055, 14056, 14085, 14087, 14088  
▲ Use with LU-49

Additional Brushes may be found in companion catalog "Ace Alternator Parts Buyers Guide - Book #1"



## Lucas



L -----14.5mm  
W -----8.0mm  
T -----4.5mm

### LU-665

Fits: Lucas 10, 11AC Series  
Replaces: Lucas 54214363, 54215076, ULB109 (sets)  
Lester: 14003, 14010, 14075

## Marelli



L -----15.0mm  
W -----8.0mm  
T -----5.0mm

### ZA-93

Used on: Fiat  
Unit: Marelli 63303203, 63303216, 63303311, 63303380, 63303600  
Lester: 13131, 13132, 13137, 14045  
▲ Use with ZA-94



L -----15.0mm  
W -----8.0mm  
T -----5.0mm

### ZA-94

Used on: Fiat  
Unit: Marelli 63303203, 63303216, 63303311, 63303380, 63303600  
Lester: 13131, 13132, 13137, 14045  
▲ Use with ZA-93

## Mitsubishi



L -----18.0mm  
W -----7.0mm  
T -----6.0mm

### DA-66

Used On: Ford Courier, Mazda, Nissan  
Lester: 14186, 14194, 14196, 14199, 14207



L -----23.0mm  
W -----8.0mm  
T -----5.0mm

### DA-86

Used On: Dodge, Ford, Geo, Honda, Infiniti, Mazda, Mercury, Mitsubishi, Nissan, Subaru, Suzuki  
Lester: 13188, 13189, 13190, 13212, 13213, 13227, 13230, 13231, 13237, 13251, 13253, 13265, 13266, 13282, 13286, 13295, 13297, 13298, 13299, 13303, 13314, 13337, 13351, 13406, 13432, 13435



L -----18.0mm  
W -----8.0mm  
T -----6.0mm

### DA-87

Used On: Dodge, Dodge Truck, Eagle, Ford, Hyundai, Mazda, Mercury, Mitsubishi, Nissan, Plymouth, Subaru, Toro  
Lester: 13182, 13183, 13196, 13197, 13213, 13231, 13237, 13238, 13249, 13257, 13259, 13263, 13265, 13271, 13272, 13289, 13290, 13292, 13297, 13303, 13318, 13332, 13333, 13352, 13518, 14243, 14427, 14428, 14429, 14430, 14431, 14432, 14433, 14434, 14435, 14436, 14437, 14443, 14445, 14447, 14655, 14656, 14657, 14693, 14694, 14697, 14699, 14700, 14706, 14709, 14718, 14720, 14723, 14724, 14725, 14726, 14851, 14902, 14903, 14905, 14906, 14907, 14908, 14909, 14910, 14911, 14916, 14917, 14943, 14950, 14967, 14979, 14980



L -----19.5mm  
W -----6.8mm  
T -----5.6mm

### DA-102

Used On: Dodge Colt, Mazda, Nissan  
Forklift, Plymouth Arrow  
Lester: 14187, 14194, 14196, 14199, 14207, 14213, 14234, 14237



L -----23.0mm  
W -----8.0mm  
T -----5.0mm

### MA-2

Used On: Chevrolet, Dodge, Eagle, Ford, Geo, Honda, Infiniti, Lincoln, Mazda, Mercury, Mitsubishi, Nissan, Plymouth, Yale  
Lester: 13227, 13445, 13447, 13448, 13451, 13460, 13511, 13523



L -----23.0mm  
W -----7.0mm  
T -----5.5mm

### MA-970

Used On: Chrysler, Mazda, Mitsubishi, Various Industrial  
Lester: 14601, 14705, 14713

Additional Brushes may be found in companion catalog "Ace Alternator Parts Buyers Guide - Book #1"

# Nippondenso



L -----18.0mm  
W -----8.0mm  
T -----5.0mm

## DA-57

Used On: Caterpillar, Daihatsu, Dodge, Honda, Hino, Isuzu, John Deere, Kubota, Mitsubishi Motors, Mitsui-Deutz, Opel, Plymouth, Toyota  
Lester: 13168, 13169, 13171, 14129, 14130, 14131, 14152, 14153, 14155, 14163, 14181, 14232, 14269, 14273, 14274, 14275, 14336, 14337, 14338, 14339, 14341, 14342, 14343, 14345, 14347, 14373, 14385, 14450, 14461, 14540, 14552, 14573, 14574, 14630, 14644, 14672, 14673, 14677, 14734, 14850, 14936



L -----21.0mm  
W -----8.0mm  
T -----5.0mm

## DA-60

Used On: Caterpillar, John Deere, Toyota  
Lester: 13169, 14275, 14340, 14375, 14573, 14636



L -----13.0mm  
W -----7.0mm  
T -----5.0mm

## DA-61

Used On: Acura, Chevrolet, Chrysler, Daihatsu, Dodge, Dodge Truck, Eagle, Geo, Honda, Isuzu, Jeep, Lexus, Plymouth, Sterling, Suzuki, Toyota, Toyota Industrial, Volvo  
Lester: 13184, 13185, 13214, 13220, 13229, 13234, 13239, 13240, 13241, 13245, 13255, 13256, 13276, 13277, 13278, 13280, 13294, 13301, 13302, 13304, 13305, 13306, 13307, 13308, 13309, 13310, 13311, 13312, 13313, 13319, 13321, 13322, 13325, 13326, 13331, 13341, 13383, 13385, 13387, 13389, 13390, 13391, 13392, 13394, 13395, 13407, 13409, 13410, 13413, 13414, 13440, 13442, 13443, 13453, 13485, 13492, 13495, 13496, 13497, 13498, 13499, 13519, 13521, 13522, 13525, 13544, 13552, 13554, 14449, 14453, 14454, 14455, 14457, 14458, 14460, 14591, 14611, 14668, 14671, 14674, 14678, 14679, 14680, 14682, 14683, 14684, 14732, 14733, 14755, 14756, 14757, 14759, 14843, 14847, 14851, 14852, 14853, 14854, 14855, 14857, 14869, 14870, 14872, 14924, 14927, 14930, 14931, 14935, 14937, 14940, 14941, 14974, 14989



L -----15.0mm  
W -----8.0mm  
T -----5.0mm

## DA-62

Used On: Isuzu, Honda, Toyota  
Lester: 14131, 14155, 14158, 14540, 14593, 14617, 14734, 14761, 14856  
▲ One Piece Design



L -----27.5mm  
W -----8.0mm  
T -----5.0mm

## DA-63

Used On: Nissan w/diesel, Toyota w/diesel  
Lester: 14463, 14659, 14660, 14664, 14666, 14667, 14676, 14681, 14749

# Valeo



L -----14.0mm  
W -----6.5mm  
T -----4.5mm

## PR-89

Fits: Paris Rhone, Valeo  
Used on: Audi, Eagle, Hyundai, Jeep, Peugeot, Porsche, Renault, Volvo, Volvo-Penta, Winnebago  
Lester: 14039, 14040, 14329, 14331, 14556, 14565, 14566, 14567, 14568, 14582, 14584, 14594, 14602, 14609, 14754, 14891, 14892, 14894, 14895, 14899, 14900, 14922, 14953, 14955, 14957, 14959, 14961, 14963, 14978

Additional Brushes may be found in companion catalog "Ace Alternator Parts Buyers Guide - Book #1"

*Bosch*



S-3940  
 Replaces: Bosch 1-194-336-006, -010  
 Used on: Alfa Romeo, BMW, Fiat, John Deere, Mercury, Opel, Saab, Volvo  
 Lester: 13033, 13036, 13039, 13041, 13042, 13050, 13058, 13069, 13071, 13073, 13077, 13079, 13100, 13138, 14066, 14538, 14539, 14554



S-5888  
 Replaces: Bosch 1-194-336-035, Chrysler 5213991  
 Used on: Dodge Omni, Plymouth Horizon  
 Lester: 14787



S-5889  
 Replaces: 1-194-336-038  
 Used on: Chrysler, Dodge, Plymouth  
 Lester: 13186, 13187, 13315, 14789



S-5340  
 Replaces: Bosch 1-124-336-038, -047, -060, -066  
 Used on: Alfa Romeo, BMW, Capri, Opel, Saab, Volkswagen  
 Lester: 13009, 13015, 13018, 13021, 13024, 13027, 13030, 13031, 13040, 13043, 13044, 13046, 13061, 13069, 13072, 13079, 13162, 14060, 14067, 14389

*Chrysler*



S-3468  
 For: Early Production Chrysler Corporate 40/90, 50/120  
 Replaces: Chrysler 5226084  
 Fits: Chrysler 4339440, 5226200  
 ▲ For units requiring rubber o-ring with SRE bearing  
 ▲ Features 5mm mounting holes and bearing cavity lip



S-3830-1  
 For: Mid-Production Chrysler Corporate 40/90, 50/120  
 Replaces: Chrysler 5226942  
 Fits: Chrysler 5226457, 1227100, 5227267  
 ▲ For units requiring rubber o-ring with SRE bearing  
 ▲ Features 4mm mounting holes and bearing cavity lip



S-3830  
 For: Late Production Chrysler Corporate 40/90, 50/120  
 Replaces: Chrysler 4433160  
 For Unit No: Chrysler 4428082, 5233160, 5233199, 5233472, 5233474, 5233508  
 Lester: 7002, 7552, 7557  
 ▲ For units with steel tolerance ring  
 ▲ Features 4mm mounting holes

- Components:
- |            |               |
|------------|---------------|
| (1) CH-20  | Brush         |
| (1) CH-21  | Brush         |
| (2) S-1777 | Nut M4-0.7    |
| (2) S-3906 | Terminal Stud |
| (1) S-3910 | Brush Holder  |

*Delco*



S-1344-L  
 For: Delco 15SI Type 116, 21SI  
 Replaces: Delco 1979724, 10467934, D785

- Components:
- |            |              |
|------------|--------------|
| (2) R-117  | Brush        |
| (1) S-1031 | Pin          |
| (2) S-3150 | Brush Arm    |
| (1) S-3151 | Spacer       |
| (2) S-3152 | Spring       |
| (1) S-3160 | Brush Holder |

Additional Brush Holder Assemblies may be found in companion catalog "Ace Alternator Parts Buyers Guide - Book #1"

# Delco



**S-1682**  
For: Delco CS121, CS130  
Replaces: Delco 1989651, 10473364, 10474290, D789

- Components:
- |            |              |
|------------|--------------|
| (1) R-132  | Brush        |
| (1) R-133  | Brush        |
| (1) S-1012 | Brush Holder |
| (2) S-1013 | Springs      |
| (1) S-1031 | Pin          |



**S-1704**  
For: Delco CS144  
Replaces: Delco 1989702  
▲ Late production, with flat mounting surface

- Components:
- |            |              |
|------------|--------------|
| (1) R-131  | Brush        |
| (1) R-132  | Brush        |
| (2) S-1013 | Springs      |
| (1) S-1702 | Brush Holder |
| (1) S-1031 | Pin          |



**S-2386**  
For: Delco 15SI & 17SI  
Replaces: Delco 1988986, 1989719

- Components:
- |             |              |
|-------------|--------------|
| (2) R-119   | Brush        |
| (2) S-1362  | Spring       |
| (1) S-2383  | Clip         |
| (1) S-2384E | Brush Holder |



**S-1707**  
For: Delco CS144  
Replaces: Delco 1989702  
▲ Early production, with mounting pockets

- Components:
- |            |              |
|------------|--------------|
| (1) R-131  | Brush        |
| (1) R-132  | Brush        |
| (2) S-1013 | Springs      |
| (1) S-1701 | Brush Holder |
| (1) S-1031 | Pin          |



**S-6004**  
For: Delco CS130D  
Replaces: Delco 10475746

- Components:
- |            |              |
|------------|--------------|
| (1) RA-150 | Brush        |
| (1) RA-151 | Brush        |
| (1) S-6023 | Cap          |
| (1) S-6024 | Brush Holder |



**S-6030 ... "Ace Design"**  
For: Delco CS130D  
Replaces: Delco 10475746  
▲ Ace 2-Piece Design

- Components:
- |            |                |
|------------|----------------|
| (1) RA-150 | Brush          |
| (1) RA-151 | Brush          |
| (1) S-6022 | Tolerance Ring |
| (1) S-6023 | Cap            |
| (1) S-6025 | Brush Holder   |



**S-6500**  
For: Delco 22SI  
Replaces: Delco 10492749  
Fits: Delco 19020300, 19020302, 19020303, 19020304, 19020305, 19020306, 19020309, 19020310, 19020312, 19020314  
Used On: Kenworth, Peterbilt, Navistar  
▲ OE style spring & brushes



**S-6510 ... "Ace Design"**  
For: Delco 22SI  
Replaces: Delco 10492749  
Fits: Delco 19020300, 19020302, 19020303, 19020304, 19020305, 19020306, 19020309, 19020310, 19020312, 19020314  
Used On: Kenworth, Peterbilt, Navistar  
▲ Premium Materials and Construction  
▲ Compression Coil Brush Springs

# Ford



**S-1378**  
For: Ford Blue Back Alternators  
Replaces: Ford E2HZ-10B363-A  
Fits: Ford E2HT-10300-B, FA; E2HF-10346-AA, -CA; E2HZ-10346-B, -D; Motorcraft GL-215, GL-216, GL-217, GL-218  
Lester: 7711, 7712

- Components:
- |            |                        |
|------------|------------------------|
| (2) F-60   | Brush                  |
| (2) S-1207 | Spring                 |
| (4) S-1271 | Nut 10-24              |
| (2) S-1277 | Field Terminal         |
| (1) S-1320 | Flat Washer            |
| (1) S-9101 | Brush Holder           |
| (1) S-9107 | Gasket                 |
| (1) S-9122 | Insulator (Fld. Term.) |

Additional Brush Holder Assemblies may be found in companion catalog "Ace Alternator Parts Buyers Guide - Book #1"

*Ford*



S-1930  
For: Ford 3G Series IR/IF Alternators  
Replaces: Ford F1DZ-10347-A, GB-320  
▲ Late-style, with top-exit leads

- Components:
- |              |              |
|--------------|--------------|
| (2) BT-400   | Terminal     |
| (2) F-67     | Brush        |
| (1) S-1031   | Pin          |
| (2) S-1207-A | Spring       |
| (1) S-1962   | Brush Holder |



S-1974  
Regulator with Brush Holder Assembly  
For: Ford 3G Series IR/IF Alternators  
Used On: Ford, Lincoln, Mercury

- Components:
- |            |                             |
|------------|-----------------------------|
| (1) F794HD | Voltage Regulator           |
| (1) S-1930 | Brush Holder Assembly       |
| (2) S-1961 | Screw M4-0.7 Thread Rolling |

*Hitachi*



S-3835  
For: Hitachi ER/EF  
Replaces: Hitachi L135N-1301, L150-13502  
Used On: Chevrolet Luv, Nissan, Subaru  
Lester: 14105, 14118, 14119, 14200, 14214, 14230

- Component:
- |       |       |
|-------|-------|
| DA-85 | Brush |
|-------|-------|



S-5280  
For: Hitachi IR/EF with Vacuum Pump  
Replaces: GM 94223865; Hitachi L150-43301; Isuzu 8-94223-965-0  
Used On: Chevrolet, Isuzu, Mazda, Nissan and Pontiac w/Diesel Engines  
Lester: 14319, 14585, 14586, 14615, 14645, 14648, 14649, 14663, 14730, 14731, 14753, 14858, 14874, 14952



S-5387  
For: Hitachi IR/EF  
Replaces: Hitachi L150-73301  
Used on: Nissan 200SX, 210, 310, Pulsar, Sentra  
Lester: 14255, 14300, 14301, 14303, 14587, 14592, 14612, 14614

- Component:
- |       |       |
|-------|-------|
| DA-85 | Brush |
|-------|-------|

*Nippondenso*



S-5004  
Replaces: Honda 31105-651-811  
Fits: Nippondenso 021000-305, 021000-372, 021000-375; Honda 38760-634-811; Toyota 27020-45030  
Used on: Honda, Toyota  
Lester: 13126, 14129, 14153, 14184, 14197, 14198

- Components:
- |        |              |
|--------|--------------|
| DA-57  | Brush        |
| S-5039 | Brush Spring |



S-5367  
For: Nippondenso IR/EF  
Replaces: Nippondenso 021620-201, 021620-222; Toyota 27370-63020  
Used On: Acura, Chevrolet, Daihatsu, Geo, Honda, Ishikawajima, Isuzu, Suzuki, Toyota, Toyota Forklift  
Lester: 14348, 14449, 14451, 14452, 14454, 14455, 14460, 14462, 14643, 14668, 14684, 14855, 14924, 14926, 14928, 14930, 14931, 14937

- Components:
- |          |       |
|----------|-------|
| DA-61    | Brush |
| S-5367-1 | Seal  |



S-5367-X  
For: Nippondenso IR/EF  
Replaces: Nippondenso 021620-201, 021620-222; Toyota 27370-63020  
Used On: Acura, Chevrolet, Daihatsu, Geo, Honda, Ishikawajima, Isuzu, Suzuki, Toyota, Toyota Forklift  
Lester: 14348, 14449, 14451, 14452, 14454, 14455, 14460, 14462, 14643, 14668, 14684, 14855, 14924, 14926, 14928, 14930, 14931, 14937  
▲ Same as S-5367 except without Rubber Seal / S-5367-1

- Component:
- |       |       |
|-------|-------|
| DA-61 | Brush |
|-------|-------|

Additional Brush Holder Assemblies may be found in companion catalog "Ace Alternator Parts Buyers Guide - Book #1"

# Nippondenso



## S-5601

For: Nippondenso ER/IF

Replaces: Nippondenso 021620-2530, 021620-2720

Used On: Acura, Geo, Honda, Isuzu, Lexus, Toyota

Lester: 13252, 13276, 13278, 13321, 13322, 13323, 13325, 13326, 13331, 13385, 13386, 13387, 13389, 13393, 13394, 13395, 13407, 13410, 13413, 13440, 13484, 13487, 13489, 13495, 13497, 13506, 13519, 13525, 13552, 13554

Component:

DA-61 Brush



## S-5603

For: Nippondenso 90-120 Amp ER/IF

Replaces: Nippondenso 021620-2430

Used On: Chrysler, Dodge, Eagle, Jeep, Plymouth

Lester: 13184, 13245, 13256, 13280, 13301, 13302, 13304, 13305, 13306, 13307, 13308, 13309, 13310, 13311, 13312, 13313, 13341, 13443, 13453

Component:

DA-61 Brush



## S-5681

For: Nippondenso 75 Amp, 90 Amp ER/IF

Replaces: Nippondenso 021620-2350

Fits: Chrysler 5227349, 5227672, Nippondenso 121000-243, -268

Used On: Dodge Caravan, Plymouth Voyager, Chrysler New Yorker, Dodge Dynasty

Lester: 13185, 13220, 14869

Component:

DA-61 Brush

Additional Brush Holder Assemblies may be found in companion catalog "Ace Alternator Parts Buyers Guide - Book #1"

*Chrysler*



S-2412  
Brush Holder for Chrysler Round & Square Back  
Replaces: Chrysler 2095038  
▲ Radial Brush Holder  
▲ Accepts CH-1-R or CH-9-R Brush



S-2531  
Brush Holder for Chrysler Round & Square Back  
Replaces: Chrysler 3438159  
▲ Axial Brush Holder  
▲ Accepts CH-8-R, CH-16, or CH-18 Brush



S-4401  
Brush Holder for Chrysler Revised Square Back  
Replaces: Chrysler 4091667  
▲ Radial Brush Holder  
▲ Accepts CH-15 or CH-17 Brush



S-3910  
Brush Holder for Chrysler Corporate 40/90 Amp, 50/120 Amp  
Replaces: Chrysler 4433161  
▲ For Units with Steel Tolerance Ring  
▲ Accepts CH-20 & CH-21 Brushes  
▲ See S-3830 BH-Assembly



S-3906  
Field Terminals for Chrysler Corporate 40/90 Amp, 50/120 Amp  
▲ M4-0.7 Stud  
▲ See S-3830 BH-Assembly

*Delco*



S-1012  
Brush Holder for Delco CS121 & CS130  
Replaces: Delco 1989662  
▲ See S-1682 BH-Assembly



S-1701  
Brush Holder for Delco CS144  
Replaces: Delco 1989777  
▲ Early style with pockets  
▲ See S-1707 BH-Assembly



S-1702  
Brush Holder for Delco CS144  
Replaces: 1989702, D772  
▲ Late style with flat side  
▲ See S-1704 BH-Assembly



S-2384E  
Brush Holder for Delco 15SI & 17SI  
▲ See S-2386 BH-Assembly

Additional Brush Holders & Components may be found in companion catalog "Ace Alternator Parts Buyers Guide - Book #1"

Delco



S-3150  
Brush Holder for Delco 21SI  
Replaces: Delco (kit) 10467935  
▲ Also for 10SI Type 116, 136 & 15SI Type 116  
▲ Full-length cavity holds brush tightly  
▲ See S-1344-L BH-Assembly



S-3160  
Brush Holder for Delco 21SI  
▲ Also for 15SI Type 116  
▲ See S-1344-L BH-Assembly



S-6024  
Brush Holder for Delco CS130D  
▲ OEM style, with integral Tolerance Ring  
▲ See S-6004 BH-Assembly



S-6025  
Brush Holder for Delco CS130D  
▲ Discrete style, without integral Tolerance Ring  
▲ See S-6030 BH-Assembly



S-6023  
Cap for Delco CS130D Brush Holder  
▲ See S-6004, S-6030 BH-Assembly



S-3151  
Spacer for Delco Swing Arm Brush Holders  
▲ See S-1344-L BH-Assembly



S-1013  
Spring for Delco CS121, CS130 & CS144 Brush Holders  
▲ See S-1682, S-1704, S-1707 BH-Assembly



S-1362  
Spring for Delco 15SI & 17SI Brush Holders  
▲ See S-2386 BH-Assembly



S-3152  
Spring for Delco Swing Arm Brush Holders

Additional Brush Holders & Components may be found in companion catalog "Ace Alternator Parts Buyers Guide - Book #1"



*Delco*



S-2383  
Grounding Clip for Delco SI Series  
Brush Holders



S-3141  
Pivot Post Screw for Delco Swing Arm  
Brush Holders  
▲ 8-32 x 1-3/8 Slot Head



S-1031  
Brush Caging Pin  
▲ Steel

*Ford*



S-1962  
Brush Holder for Late-Style Ford 3G  
▲ See S-1930 BH-Assembly



S-9101  
Brush Holder for 'Ace' Ford Blue Back  
Alternators  
▲ Also fits S-1007, S-1281 BH-  
Assemblies (Book #1)  
▲ See S-1378 BH-Assembly



S-9105  
Plate Gasket for Ford 65-90 Amp Truck  
Brush Holder  
Fits: Ford GL-93-A, -B, -C; GL-94-A, -B,  
-C  
▲ See S-1281 (Book #1)



S-9106  
Plate Gasket for Ford 65-90 Amp Truck  
Brush Holder  
Fits: Ford GL-93-C, GL-94-C  
▲ See S-1007 (Book #1)



S-9107  
Plate Gasket for Ford Blue Back Brush  
Holder  
Fits: Ford GL-215, GL-216, GL-217,  
GL-218  
▲ See S-1378 BH-Assembly



S-9122  
Field Terminal Insulator for Ford 65-90  
Amp Truck Brush Holder  
▲ See S-1378 BH-Assembly

Additional Brush Holders & Components  
may be found in companion catalog  
"Ace Alternator Parts Buyers Guide -  
Book #1"

*Ford*



S-1207  
Spring for Ford Brush Holders  
▲ See S-1378 BH-Assembly



S-1277  
Field Terminal Post for Ford Truck Brush Holders  
▲ 10-24 x 1-1/8, Flat - Offset Head  
▲ See S-1378 BH-Assembly



BT-400  
Brush Lead Terminal for late-style Ford 3G  
▲ See S-1930 BH-Assembly

*Leece-Neville*



S-1465  
Brush Holder for Leece Neville  
Used on: Leece-Neville 4425-4750J;  
7600-7700JA series

*Nippondenso*



S-5367-1  
Seal for Nippondenso Brush Holders  
▲ See S-5367, S-5367-X, S-5681  
BH-Assembly

Additional Brush Holders & Components may be found in companion catalog "Ace Alternator Parts Buyers Guide - Book #1"

# Chrysler



S-3434  
Rubber Isolator  
For: Chrysler Corporate 100 Amp  
Replaces: 3874073  
▲ Use with S-3435



S-3439  
Rubber Isolator  
For: Chrysler Corporate 100 Amp  
Replaces: Chrysler 3755617,3874988  
▲ Use with S-3438



S-4085  
Mounting Ferrule  
For: Chrysler Revised Square Back  
Replaces: Chrysler 5206563  
Used on: Dodge Omni, Plymouth  
Horizon



S-3435  
Mounting Sleeve  
For: Chrysler Corporate 100 Amp  
Replaces: 3874071  
▲ Use with S-3434



S-3444  
Mounting Ferrule  
For: Chrysler Corporate 100 Amp  
Replaces: 3874072



ID .....672  
OD .....1.259  
L.....204

S-320  
Fan Spacer  
For: Chrysler Corporate 40/90, 50/120  
Replaces: Chrysler 5227606



S-3438  
Mounting Sleeve  
For: Chrysler Corporate 100 Amp  
Replaces: 3755616  
▲ Use with S-3439



ID .....417  
OD .....584  
L.....1.165

S-3824  
Mounting Bushing  
For: Chrysler Corporate 40/90, 50/120  
Replaces: 5226043



ID .....672  
OD .....1.259  
T.....433

S-325  
Rotor Spacer  
For: Chrysler Corporate 40/90, 50/120  
Replaces: Chrysler 5227200

Additional Bushings, Collars, Sleeves, & Spacers may be found in companion catalog "Ace Alternator Parts Buyers Guide - Book #1"

# Chrysler



ID .....678  
OD .....886  
T .....125

S-2709  
Rotor Spacer  
For: Chrysler Revised Square Back  
Replaces: 4145342  
▲ Provides Clearance between Early Rotor Fan and DE Housing



ID .....205  
OD .....350  
L .....590

S-3907  
Thru-Bolt Spacer  
For: Chrysler Corporate 40/90, 50/120  
Replaces: Chrysler 4433011, 5226973

# Delco



ID .....394  
OD .....630  
L .....787

S-1586  
M10 Mounting Bushing  
For: Delco CS130  
Replaces: Delco 10498833  
Fits: Delco 1101266, 267, 638; 1102644; 10479969, 9976; 10480025, 0157, 0172



ID .....315  
OD .....551  
L .....787

S-1587  
M8 Mounting Bushing  
For: Delco CS130, CS130D  
Replaces: Delco 10476635  
Fits: Delco 10480182; 21021447, 2772, 3702



ID .....394  
OD .....630  
L .....748

S-1588  
M10 Mounting Bushing  
For: Delco CS121  
Replaces: Delco 10477106



ID .....315  
OD .....551  
L .....787

S-1598  
M8 Mounting Bushing  
For: Delco CS121  
Replaces: Delco 10495216  
Fits: Delco 1101531, 563, 564, 816



ID .....520  
OD .....890  
L .....783

S-2228  
Mounting Bushing  
For: Delco 21SI, 22SI, 25SI, 27SI/200, 29SI, 30SI, 33SI, 34SI 40SI  
Replaces: Delco 1968990



ID .....984  
OD .....1.332  
T .....234

S-799  
Fan Spacer  
For: Delco 10SI Type 136  
Replaces: Delco 1970589



ID .....672  
OD .....875  
T .....374

S-801S  
Fan & Rotor Spacer  
For: Delco  
Replaces: Delco 1843015, 1858603  
▲ Machined Steel

Additional Bushings, Collars, Sleeves, & Spacers may be found in companion catalog "Ace Alternator Parts Buyers Guide - Book #1"

*Delco*



ID .....672  
OD .....875  
T .....232

S-1413  
Fan Spacer  
For: Delco 10SI, 27SI/100  
Replaces: Delco 1978250  
▲ .040 Thicker than common 10SI  
Spacer (S-1340 .672 ID x .875 OD x  
.192 T)



ID .....672  
OD .....989  
T .....393

S-1654  
Pulley & Rotor Spacer  
For: Delco 12SI, CS121, CS130, CS144  
Replaces: Delco 1978064



ID .....672  
OD .....1.000  
T .....232

S-1671  
Fan Spacer  
For: Delco CS144  
Replaces: Delco 1976138, 1985999



ID .....669  
OD .....1.000  
T .....256

S-1673  
Rotor Spacer  
For: Delco CS144  
Replaces: Delco 10470412  
▲ Use with Big Bearing End Frames  
(w/A-303-2S)



ID .....672  
OD .....992  
T .....207

S-1678  
Fan Spacer  
For: Delco CS121, CS130  
Replaces: Delco 1989630  
▲ Used as CS121 Rotor Spacer, also



ID .....672  
OD .....1.000  
T .....120

S-1697  
Rotor Spacer  
For: Delco CS130  
Replaces: Delco 1989629  
▲ Use with Small Bearing End Frames  
(6203 / A-203-2S)



ID .....990  
OD .....1.325  
L .....1.090

S-3377  
Rotor Spacer  
For: Delco 33SI, 34SI  
Replaces: Delco 10497218



ID .....669  
OD .....1.834  
T .....240

S-6214  
Rotor Spacer  
For: Delco CS130D  
Replaces: Delco 10487212



ID .....669  
OD .....1.000  
T .....039

S-6215  
Rotor Spacer  
For: Delco CS130  
▲ Use with Big Bearing End Frames  
(6303 / A-303-2S)

Additional Bushings, Collars, Sleeves, & Spacers may be found in companion catalog "Ace Alternator Parts Buyers Guide - Book #1"

*Delco*



ID .....170  
OD .....220  
L .....450

S-1677  
Rectifier Grounding Sleeve  
For: Delco CS121, CS130  
Replaces: Delco 1989682



ID .....670

S-1680  
Pulley Sleeve  
For: Delco CS144  
Replaces: Delco 10495168  
▲ Tapered OD



S-1684  
Custom Spacer  
For: Ace CS121/CS130 Rectifier  
▲ Adapts Ace S-1681 Rectifier to CS130D Application  
▲ Fills gap between CS130 Rectifier and CS130D Regulator

*Ford*



OD .....598  
L .....787

S-1964  
Threaded Mounting Bushing  
For: Ford 3G SRE Frame  
Dim: M10-1.5 Thread



ID .....394  
OD .....591  
L .....787

S-1975  
M10 Mounting Bushing  
For: Ford 3G SRE Frame  
Replaces: Ford F4RU-10321-A



ID .....883  
OD .....1.250  
T .....159

S-1275  
Fan Spacer  
For: Ford Truck 65-90 Amp, Blue Back 70-90 Amp  
Replaces: Ford D0AZ-10A344A, GY-974



ID .....669  
OD .....945  
T .....177

S-1931  
Rotor Stop Collar  
For: Ford 3G

*Leece-Neville*



ID .....986  
OD .....1.250  
T .....245

S-1480  
Rotor Spacer  
For: Leece-Neville JB Series

*Lucas*



ID .....675  
OD .....984  
T .....354

S-3844  
Rotor Spacer  
For: Lucas  
Replaces: Lucas 36511323

Additional Bushings, Collars, Sleeves, & Spacers may be found in companion catalog "Ace Alternator Parts Buyers Guide - Book #1"

*Nippondenso*



ID .....354  
OD .....538  
L .....600

S-5027  
Mounting Bushing  
For: Nippondenso SRE Frame  
Replaces: Toyota 27351-22010

Additional Bushings, Collars, Sleeves, & Spacers may be found in companion catalog "Ace Alternator Parts Buyers Guide - Book #1"

## Bosch



S-5350-A  
 Capacitor for Bosch 75-100 Amp  
 Replaces: 0-290-800-036  
 Used On: Bosch 400, 450 Series ER/EF,  
 468, 469, 484 & 489 Series IR/EF  
 Alternators  
 Lester: 13028, 033, 039, 041, 042, 050,  
 054, 055, 056, 071, 073, 077, 078, 079,  
 094, 101, 102, 107, 109, 112, 113, 114,  
 115, 116, 119, 121, 129, 138, 147, 149,  
 150, 151, 152, 156, 158, 159, 186, 187,  
 191; 14046, 047, 049, 057, 058, 059,  
 409, 413, 414, 417, 539, 765, 787, 789



S-5352  
 Capacitor for Bosch  
 Replaces: Bosch 0-290-800-014  
 Lester: 13030, 13031, 13040, 13046,  
 13069, 14067

## Chrysler



S-2456  
 Capacitor for Chrysler Round Back  
 Replaces: 2098058, 2098385, CH-103  
 ▲ Available in Kit S-2457



S-2457  
 Capacitor Kit for Chrysler Round Back  
 Includes:  
 (2) S-207 Nut 14-20  
 (2) S-256 Lock Washer  
 (1) S-349 Flat Washer  
 (1) S-2420 Insulator  
 (1) S-2421 Mica Insulator  
 (1) S-2546 Capacitor



S-2537  
 Capacitor for Chrysler Revised Square  
 Back Series & Early 100 Amp Series  
 Replaces: 3438725, 3620793, 4091397



S-3816  
 Capacitor for Chrysler Corporate  
 40/90 & 50/120  
 Replaces: 4433021, 5226137

## Delco



S-1709  
 Capacitor for Delco CS144  
 Replaces: Delco 1989703



S-1659  
 Capacitor for Delco 21SI  
 Replaces: 1988972



S-3286  
 Capacitor for Delco 20SI  
 Replaces: 1985445  
 ▲ Similar to S-2204 except terminal  
 hole is .282" ID

Additional Alternator Capacitors may be  
 found in companion catalog "Ace  
 Alternator Parts Buyers Guide - Book #1"



*Delco*



S-3287  
 Capacitor for Delco 30SI  
 Replaces: Delco 1876810, Ford D8HZ-10A380A  
 ▲ Similar to S-1333 except extra lead length

*Mitsubishi*



S-5366  
 Capacitor for Mitsubishi  
 Replaces: Mitsubishi A315S01570; Mitsubishi Motors MD607262  
 Lester: 13167, 14199, 14236, 14267, 14304, 14543, 14557



S-7046 ... New Item in Process  
 Capacitor for Nippondenso  
 Fits: Nippondenso 100211-830; Toyota 27060-62040  
 Used on: Lexus, Toyota  
 Lester: 13331

*Nippondenso*



S-1290  
 Capacitor for Ford 1G, Blue Back  
 Replaces: D20Z-18827-A



S-7170 ... New Item in Process  
 Universal Capacitor  
 Fits: Nippondenso 021000-8570; Toyota 27020-38111  
 Used on: Honda, Isuzu, Mazda, Toyota  
 Lester: 14273, 14274, 14540, 14552, 14667

*Leece-Neville*



S-1424SL  
 Capacitor for Leece/Neville 2300JB-2800JB & 7000 Series  
 ▲ Mounting Bracket not required  
 ▲ Long Lead version available as S-1424

S-7045 ... New Item in Process  
 Capacitor for Nippondenso  
 Fits: Nippondenso 100211-606, 613, 635, 639  
 Used on: Landcruiser, Lexus, Toyota  
 Lester: 13554

Additional Alternator Capacitors may be found in companion catalog "Ace Alternator Parts Buyers Guide - Book #1"

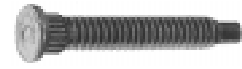
# Chrysler



S-3817  
 For: Chrysler 50/120 Amp Alternators  
 Replaces: 5227085  
 ▲ Positive Heat Sink Connector for Dual Rectifier Applications



S-3441  
 For: Chrysler Round Back  
 ▲ Brush Terminal Grounding Lead  
 ▲ Use when converting A-Circuit to B-Circuit Regulation



S-3436  
 8-32  
 Battery Post  
 For: Chrysler Square Back  
 Replaces: 3755621



S-3818  
 For: Chrysler 50/120 Amp Alternators  
 Replaces: 4433102  
 ▲ Short Connector for Dual Rectifier Applications  
 ▲ Connects Rectifier Phases



S-2539  
 10-24 x 3/4  
 Capacitor & Rectifier Post  
 For: Chrysler Square Back & Revised Square Back  
 Replaces: Chrysler 3438717



S-3806  
 M5 x 0-8 x 15mm L  
 Rectifier Post  
 For: Chrysler 50/120  
 Replaces: Chrysler 6501481



S-3819  
 For: Chrysler 50/120 Amp Alternators  
 Replaces: 4433101  
 ▲ Long Connector for Dual Rectifier Applications  
 ▲ Connects Rectifier Phases



S-2541  
 8-32  
 Battery Post  
 For: Chrysler Square Back  
 Replaces: Chrysler 3755621



S-3832  
 M6 x 1.0 x 38mm L  
 Battery Post  
 For: Chrysler 40/90 & 50/120  
 Replaces: Chrysler 6501055

Additional Connectors, Leads, Resistors, Terminals, and Terminal Kits may be found in companion catalog "Ace Alternator Parts Buyers Guide - Book #1"

# Chrysler



1/4 - 20 x 1 1/4

S-4405  
Positive Rectifier Post  
For: Chrysler Square Back &  
Revised Square Back



S-1663  
For: Delco 17SI Alternators  
Replaces: Delco 1984826  
For Unit: Delco 1100278, 1105491,  
10479858  
Lester: 7291  
▲ Resistor with Regulator Sense (FR)  
Terminal  
▲ For Compatible Brush Holder  
Assembly, please use S-2386



S-1347  
For: Delco 21SI, 22SI Alternators  
Replaces: 10468945  
▲ Connector for Relay Terminal in  
location 'I' of SRE Frame

# Delco



S-1706  
For: Delco CS144 Alternators  
Replaces: 10497789  
▲ 'Stator/AC' Connector, between  
Rectifier and Regulator



S-1341  
For: Delco 21SI, 22SI Alternators  
Replaces: 10468944  
▲ Connector for Indicator Light  
Terminal



S-1351  
For: Delco 21SI, 22SI Alternators  
Replaces: 10467404  
▲ VR Sense Connector, between B+  
Terminal and Regulator Post



S-1349  
For: Delco 15SI Type 116  
Replaces: Delco 1979726  
▲ Relay Terminal



S-1346  
For: Delco 21SI Alternators  
Replaces: 10469559  
▲ VR Sense Connector, between Trio  
and Regulator Post  
▲ For 3-wire systems using VR with  
Sense Post but without webbed  
terminals  
▲ For early production units with VR  
10470886



S-1352  
For: Delco 21SI, 22SI Alternators  
Replaces: 10467339  
▲ Connector for Relay Terminal in  
location 'R' of SRE Frame

Additional Connectors, Leads, Resistors,  
Terminals, and Terminal Kits may be  
found in companion catalog "Ace  
Alternator Parts Buyers Guide - Book #1"

# Delco



S-2215  
For: Delco 27SI Type 200 Alternators  
Replaces: 1876474  
▲ Lead with Resistor  
▲ External Connector between B+ Terminal and Relay Terminal  
▲ Accommodates quicker turn-on in 1-wire applications



S-3118  
For: Delco 30SI Alternators  
Replaces: 10497661  
▲ VR Sense Connector, between Rectifier and Regulator Post



S-3372  
For: Delco 33/34SI  
▲ VR Sense Connector, between Rectifier and Regulator Post



S-3373  
For: Delco 33/34SI  
▲ Connector for B+ Terminal



S-3374  
For: Delco 33/34SI  
▲ Connector for Relay Terminal



S-3375  
For: Delco 33/34SI  
▲ Connector for Indicator Light Terminal



Internal Thread - 8-32  
External - Pin Type  
S-2236  
R-Terminal Post  
For: Delco 10SI, 12SI, 15SI, 17SI, 20SI, 21SI, 22SI, 25SI, 27SI, 29SI, 30SI  
Replaces: Delco 1968986



Internal - 12-24  
External - M6 x 1.0  
S-2380  
Battery Terminal  
For: Delco 10SI, 12SI, 15SI, 17SI, 21SI, CS144  
Replaces: Delco 10469651



Internal - M5 x 0.8  
External - M6 x 1.0  
Length - .433  
S-1090  
Battery Terminal  
For: Delco CS121, CS130  
Replaces: Delco 1989647

Additional Connectors, Leads, Resistors, Terminals, and Terminal Kits may be found in companion catalog "Ace Alternator Parts Buyers Guide - Book #1"

*Delco*



Internal - M5 x 0.8

S-1091  
Battery Terminal  
For: Delco CS130  
Replaces: Delco 10496750  
▲ Right Angle/Block Type



S-1092  
Terminal Adapter  
▲ Converts Threaded Post to Block Post Type  
▲ Includes S-3993 Washer



Internal - 8-32  
External - 10-24

S-1363  
Indicator & Relay Terminal  
For: Delco 20SI, 21SI, 22SI, 25SI, 26SI, 29SI, 30SI & 33SI  
Replaces: Delco 1852800  
Note: Used as I Terminal in 25SI, 26SI, 30SI & 33SI  
Used as R Terminal in 20SI, 29SI



Internal - 12-24  
External - 5/16-18

S-1358  
Battery Terminal  
For: Delco 21SI & 22SI  
Replaces: Delco 10468929



Internal: 12-24  
External: 1/4-28

S-1357  
Battery Terminal  
For: Delco 21SI & 22SI  
Replaces: Delco 10467296



Internal - 12-24  
External - M6 x 1.0

S-1359  
Battery Terminal  
For: Delco 10SI, 12SI, 15SI, 17SI, 21SI, CS144



Internal - 8-32  
External - 10-24

S-2950  
Relay Terminal  
For: Delco 21SI, 22SI, 33SI  
Replaces: Delco 10472511  
▲ Universal Relay Terminal That Replaces Pin Type and 10-24 Threaded Relay Terminals



Internal - M6 x 1.0  
External - M8 x 1.25

S-2381  
Battery Terminal  
For: Delco CS144 124-145 Amp  
Replaces: Delco 10474201



Internal - 8-32  
External - M4 x 0.7

S-1463  
Relay or I Terminal  
For: Delco 21SI  
Replaces: Delco 10472120

Additional Connectors, Leads, Resistors, Terminals, and Terminal Kits may be found in companion catalog "Ace Alternator Parts Buyers Guide - Book #1"

Delco



1/4-28 x 1 3/16" L

S-3123  
Battery Terminal  
For: Delco 33SI & 34SI



Internal - M8 x 1.25  
External - M8 x 1.25

S-6013  
Battery Terminal  
For: Delco CS130D  
Replaces: Delco 10475765



Internal - 12-24

S-2382 New Item In Process  
Battery Terminal  
For: Delco CS144  
Replaces: Delco 10456476  
Fits: Delco 1101567, 1101648,  
10479853, 10480121, 10480131



S-1655  
Post Kit - Battery Terminal  
For: Delco CS121, CS130 Alternators  
Replaces: 10497130

Components:  
(1) S-1656 Hex Nut (Outside)  
(1) S-1020 Hex Nut (Inside)  
(1) S-1692 Insulator  
(1) S-1090 Battery Post



S-1657  
Post Kit - Battery Terminal  
For: Delco CS130 Alternators  
Replaces: 10456489

Components:  
(1) S-1020 Hex Nut (Inside)  
(1) S-1692 Insulator  
(1) S-1091 Battery Post (Right Angle)



S-1350  
Post Kit - Battery Terminal - Metric  
For: Delco CS144 Alternators  
Replaces: 1975471

Components:  
(1) S-203 Hex Nut, 12-24  
(1) S-255 #12 Lockwasher  
(1) S-347 #12 Washer  
(1) S-1366 Insulator  
(1) S-2380 Battery Post  
(1) S-3659 Nut, M6 x1.0



S-2143  
Post Kit - Battery Terminal - Metric  
For: Delco 21SI Alternators  
Replaces: 10479702  
Fits: Delco 1117897, -900, -944,  
19010108, -111, -182

Components:  
(1) S-1359 Terminal Post M6-1.0  
(1) S-1366 Insulator  
(1) S-203 Nut 12-24  
(1) S-3659 Nut M6-1.0  
(1) S-1501 Lockwasher #12  
(1) S-3988 Lockwasher M6



S-2144  
Post Kit - Battery Terminal - 1/4"-28  
For: Delco 21SI Alternators  
Replaces: 10456417  
Fits: Delco 1117880, -881, -884, -888,  
-894, 902, -906, -911, -914, -916, -924,  
-925, -929, -931, -932, -933, -936, -939,  
-940, -942, -946, -947, -948, -949, -950,  
-951, -952, -953, -954, -955, -956, -957,  
-958, -959, -960, -962, 10459013, -017,  
-023, -038, -047, -050, 19010100, -120,  
-134, -136, -137, -138, -153, -154, -156,  
-157, -158, -159, -160, -161, -162, -163,  
-171, -173, -174, -176, -183, -184

Components:  
(1) S-1357 Terminal Post 1/4-28  
(1) S-1366 Insulator  
(1) S-203 Nut 12-24  
(1) S-204 Nut 1/4-28  
(1) S-256 Lockwasher 1/4"  
(1) S-1501 Lockwasher #12

Additional Connectors, Leads, Resistors,  
Terminals, and Terminal Kits may be  
found in companion catalog "Ace  
Alternator Parts Buyers Guide - Book #1"

*Delco*



**S-2145**  
Post Kit - Battery Terminal - 5/16"-18  
For: Delco 21SI Alternators  
Replaces: 10456487

Fits: Delco 1117895, -896, -899, -903, -904, -907, -908, -927, -928, -938, 10459027, -028, 19010145, -147, -168

▲ Special Hi-Temp Shield Type Insulator

Components:

- |            |                       |
|------------|-----------------------|
| (1) S-1358 | Terminal Post 5/16-18 |
| (1) S-1345 | Insulator Hi-Temp     |
| (1) 13149  | Nut 5/16-18           |
| (1) S-203  | Nut 12-24             |
| (1) S-258  | Lockwasher 5/16"      |
| (1) S-1501 | Lockwasher #12        |



**S-2146**  
Post Kit - Battery Terminal - 5/16"-18  
For: Delco 21SI Alternators  
Replaces: 10456427

Fits: 1117882, -883, -885, -886, -887, -889, -890, -891, -892, -893, -898, -898, -901, -905, -909, -910, -912, -913, -915, -917, -918, -919, -920, -921, -922, -923, -926, -934, -937, -941, -943, -945, -961, -963, -964, -965, -966, 10459039, -040, -042, -043, -053, -055, -082, 19010103, -114, -115, -118, -124, -125, -126, -127, -129, -141, -165, -166, -178, -181

Components:

- |            |                       |
|------------|-----------------------|
| (1) S-1358 | Terminal Post 5/16-18 |
| (1) S-1366 | Insulator             |
| (1) 13149  | Nut 5/16-18           |
| (1) S-203  | Nut 12-24             |
| (1) S-258  | Lockwasher 5/16"      |
| (1) S-1501 | Lockwasher #12        |



**S-2147**  
Post Kit - Relay & or Indicator Light Terminal - 10-24

For: Delco 21SI & 22SI Alternators

Replaces: 10479701

Fits: 1117884, -885, -886, -887, -888, -889, -892, -895, -896, -898, -899, -901, -903, -904, -905, -907, -908, -909, -910, -912, -915, -920, -921, -922, -923, -926, -927, -928, -934, -937, -938, -941, -942, -943, -945, -946, -950, -951, -952, -953, -964, -965, -966, 10459023, -027, -028, -039, -040, -042, -043, -053, -055, -082, 19010114, -115, -118, -126, -127, -129, -141, -145, -153, -154, -155, -156, -157, -168, -181, -185

Components:

- |             |                     |
|-------------|---------------------|
| (1) S-1363  | Terminal Post 10-24 |
| (1) S-1306  | Insulator           |
| (1) S-2206  | Fiber Washer        |
| (1) S-200-A | Nut 10-24           |
| (1) S-1361  | Nut 8-32            |
| (1) S-3987  | Lockwasher #10      |



**S-2148**  
Post Kit - Relay & or Indicator Light Terminal - Metric

For: Delco 21SI Alternators

Replaces: 10479703

Fits: Delco 1117897, -900, -944, -949, 19010108, -111, -182

Components:

- |            |                      |
|------------|----------------------|
| (1) S-1463 | Terminal Post M4-0.7 |
| (1) S-1306 | Insulator            |
| (1) S-2206 | Fiber Washer         |
| (1) S-1361 | Nut 8-32             |
| (1) S-3979 | Nut M4-0.7           |
| (1) S-252  | Lockwasher M4        |



**S-2149**  
Post Kit - Relay Terminal - Pin Type

For: Delco 21SI Alternators

Replaces: 1852519

Fits: Delco 1117880, -881, -882, -883, -914, -916, -918, -919, -924, -925, -929, -931, -932, -933, -936, -939, -940, -947, -948, -949, -950, -951, -952, -953, 10459038, -047, -050, 19010100

▲ Original Design, w/Round Shoulder External Insulator

Components:

- |            |                          |
|------------|--------------------------|
| (1) S-2236 | Terminal Post - Pin Type |
| (1) S-2237 | Insulator                |
| (1) S-2206 | Fiber Washer             |
| (1) S-1361 | Nut 8-32                 |



**S-2849-1**  
Relay Terminal Kit

For: Delco 21/22SI

Replaces: Delco 10457159

Fits: Delco Fits: Delco 1117880, -886, -890, -891, -892, -894, -895, -896, -898, -899, -900, -903, -904, -905, -906, -909, -910, -911, -912, -913, -914, -916, -918, -919, -920, -921, -922, -923, -924, -925, -926, -927, -928, -929, -931, -932, -933, -936, -937, -938, -939, -940, -941, -942, -943, -944, -945, -946, -947, -948, -949, -950, -951, -952, -953, -954, -955, -956, -957, -958, -960, -961, -962, -963, -964, -965, -966, 10459017, -036, 19010100, -103, -104, -105, -108, -111, -112, -113, -114, -115, -118, -120, -124, -125, -126, -127, -129, -134, -136, -137, -138, -141, -145, -147, -153, -154, -155, -156, -157, -158, -159, -160, -161, -162, -163, -168, -168, -171, -173, -174, -176, -178, -181, -182, -309, 19020300, -302, -303, -304, 19020308, 19020309, Ford F3HT10300HB, F3HZ10346H, Motorcraft GL332

Lester: 7564, 7565, 7641, 7644, 7659, 7662, 7664, 7665, 7666, 7667, 7668, 7669, 7670, 7671, 7672, 7673, 7680, 7681, 7683, 7685, 7686, 7971, 7976, 8010, 8011, 8012, 8013, 8014, 8015, 8016, 8017, 8018, 8019, 8021, 8022, 8023, 8024, 8025, 8026, 8027, 8029, 8031, 8032, 8033, 8035, 8036, 8037, 8038, 8039

▲ Relay Post Features Universal Design with 10-24 Threads and Pin to Accommodate #10 Ring or Push on Connectors

Additional Connectors, Leads, Resistors, Terminals, and Terminal Kits may be found in companion catalog "Ace Alternator Parts Buyers Guide - Book #1"

# Delco



## S-3385

### Relay Terminal Kit

For: Delco 33SI & 34SI

Fits: 19011150, 19011151, 19011153, 19011154, 19011155, 19011156, 19011158, 19011159, 19011160, 19011161, 19011162, 19011163, 19011165, 19011171, 19011173, 19011174, 19011175, 19011178, 19011181, 10459141, 10459142, 10459143, 10459144, 10459180, 10459181, 10459182, 10459183, 10459194, 10459195, 10459196,

Used On: Caterpillar, Cummins, Detroit Diesel

#### Components:

- (1) S-1361 Nut w/washer 8-32
- (1) S-2950 Terminal Post - 8-32 Int. 10-24 Ext.
- (1) S-1319 Insulator
- (1) S-2237 Insulator
- (1) S-1320 Washer
- (1) S-200-A Nut, 10-24
- (1) S-3374 Connector
- (1) S-254 Lockwasher, #10
- (1) S-3370 Washer Plate



10-24 x 1 1/8" L

## S-1277

### Terminal Post - BH Field

For: Ford 'Blue Back'



1/4-20

## S-1268

### Battery Post

For: Ford 'Blue Back'



10-24 x 1 3/4 " L

## S-1279

### Terminal Post - Stator

For: Ford 'Blue Back'

Replaces: Ford 389343-S



10-32 Threads

## S-1235

### Terminal Stud

For: Ford 55 Amp & 'Blue Back'

Replaces: 380056-S8B

# Ford



## S-1259

For: Ford 75 Amp Truck &

Blue Back Alternators

▲ 'Stator AC' Connector, for Stator Tap Terminal



1/4-28 x 15/16"

## S-1226

### Terminal Stud

For: Ford 'Blue Back'

Replaces: 378463-S8B



10-24 x 7/8"

## S-1267

### Terminal Stud

For: Ford 'Blue Back'

Additional Connectors, Leads, Resistors, Terminals, and Terminal Kits may be found in companion catalog "Ace Alternator Parts Buyers Guide - Book #1"



*Ford*



M6 x 1.0 x 36.5mm L

S-1924  
Battery Terminal  
For: Ford 3G Series



M6 x 1.0

S-1920  
Battery Terminal Kit  
For: Ford 3G  
Kit Includes:  
Screw, Cap and Post

*Hitachi*



S-3920  
Battery Post Kit  
Fits: Hitachi  
Replaces: Hitachi L125-5310A, L150-13101, Lucas UZJ-663X

*Leece-Neville*



S-1454  
For: Leece-Neville 2300-2800JB  
Replaces: 79028 & 79029  
▲ VR Sense Connector, from Rectifier to Regulator

*Mitsubishi*



S-4980  
For: Mitsubishi IR/IF  
Used On: Ford, Mercury  
Lester: 13188, 13190, 13192  
▲ Battery Terminal Connector



S-5246  
Fits: Ford E83F-10300-BA, Mitsubishi A3T01596, A3T01598  
Used On: Ford Taurus & Tempo, Mercury Sable & Topaz  
Lester: 13188, 13190, 13192



S-5247  
60 mm, M6 Post  
Fits: Mitsubishi A2T48292, A2T48298, Nissan 23100-D4410, 23100-D4415  
Used On: Nissan Pulsar & Sentra  
Lester: 14243, 14270



S-5248  
52 mm, M6 Post  
Fits: Mazda B366-18-300G, B366-18-300H, B61P-18-300D, B61P-18-300E, B64J-18-300A, B64J-18-300B, B66S-18-300C, B675-18-300C, BP02-18-300, Mitsubishi A2T05772, -34477, -35177, A5T01577, -01977, -02777, -03677, -03777  
Used On: Ford Escort, Mazda 323, MX5, Miata & Protege, Mercury Tracer  
Lester: 13227, 13296, 13314, 13350, 13432, 14905

Additional Connectors, Leads, Resistors, Terminals, and Terminal Kits may be found in companion catalog "Ace Alternator Parts Buyers Guide - Book #1"

# Mitsubishi



S-5249  
52mm, M5 Post  
Fits: Mazda E356-18-300A,  
N318-18-300, N320-18-300,  
Mitsubishi A2T47974, A5T30871  
Used On: Mazda RX7  
Lester: 14699, 14909, 14910



S-5660  
Fits: Mitsubishi A3T32772, A3T32877,  
Mitsubishi Motors MD018230,  
MD025677  
Used On: Chrysler Conquest & Vista,  
Mitsubishi Cordia & Tredia  
Lester: 14650, 14696



S-5661  
Fits: Mitsubishi A2T41371, A3T34572,  
-34672, -34677, A5T15171, -15471,  
-20571, -21077, -21171, -23277,  
Mitsubishi Motors MD025679, -34130,  
-34132, -61151, -63781, -64068, -86046,  
-86047, -86048  
Used On: Dodge Challenger, Champ,  
Colt, Omni, Ram & Raider, Mistubishi  
Cordia, Galant, Mirage, Montero,  
Pickup & Tredia, Plymouth Arrow,  
Horizon & Sapporo,  
Lester: 14268, 14646, 14650, 14698,  
14711, 14915



S-5662  
M5 Post  
Fits: Mitsubishi A1T40791, A1T40891,  
A2T03892, -40577B, -41791, -42777,  
-43791, A3T02292, A5T30695,  
Mitsubishi Motors MD069979, -73067,  
-82419, -86050, -91794, -91849, -91850,  
MD108305, MD126781  
Used On: Chrysler Vista, Dodge Colt,  
Hyundai Excel, Mitsubishi Cordia,  
Galant, Mirage, Precis & Tredia  
Lester: 14431, 14443, 14694, 14706,  
14950



S-5666  
53mm, M8 Post  
Fits: Mitsubishi A3T03891, Subaru  
23700-AA061  
Used On: Subaru XT Coupe  
Lester: 13263



S-5667  
50mm, M6 Post  
Fits: Mitsubishi A2T13894, A2T18792,  
Nissan 23100-64J10, 23100-65E10  
Used On: Infiniti G20, Nissan Stanza  
Lester: 13286, 13329



S-5668  
70mm, M8 Post  
Fits: Mazda N350-18-300B, N370-18-  
300B, Mitsubishi A2T17574, A2T18874  
Used On: Mazda RX7  
Lester: 13237, 13337



S-5671  
90mm, M8 Post  
Fits: Mazda K801-18-300C,  
KL11-18-300D, Mitsubishi A3T08491  
Used On: Mazda MX6  
▲ Post Access at 2:00 & 6:00



S-5672  
90mm, M8 Post  
Fits: Mazda N3A1-18-300A,  
Mitsubishi A3T08591  
Used On: Mazda RX7  
Lester: 13460  
▲ Post access at 3:00 & 9:00

Additional Connectors, Leads, Resistors,  
Terminals, and Terminal Kits may be  
found in companion catalog "Ace  
Alternator Parts Buyers Guide - Book #1"

*Nippondenso*



M5 - 0.8 x 41mm L (1.614)

S-3926  
Terminal Post - Rectifier

Additional Connectors, Leads, Resistors,  
Terminals, and Terminal Kits may be  
found in companion catalog "Ace  
Alternator Parts Buyers Guide - Book #1"

*Chrysler*



S-3431  
SRE Bearing Shield  
For: Chrysler 100 Amp



S-3831  
SRE Cover  
For: Chrysler 50/120  
Replaces: Chrysler 4433115



S-3918  
SRE Cover  
For: Chrysler 40/90  
Replaces: Chrysler 5227111

*Delco*



S-1015  
Baffle  
For: Delco CS121  
Replaces: Delco 10497546



1253P  
Baffle  
For: Delco 17SI, CS144  
Replaces: Delco 1987614  
▲ Use with 1252P Fan

ID.....5 3/4"  
OD.....670



S-1699A  
Baffle  
For: Delco CS130  
Replaces: Delco 1989655



S-1010  
Stator Lead Access Cover  
For: Delco CS130  
Replaces: Delco 1989628



S-1014  
Stator Lead Access Cover  
For: Delco CS121  
Replaces: Delco 10471975, 10495205



S-1110  
Stator Lead Access Cover  
For: Delco CS130  
Replaces: Delco 10470444  
Fits: Delco 21021447, 2772, 3702  
Used on: Saturn

Additional Baffles, Covers, & Shields may be found in companion catalog "Ace Alternator Parts Buyers Guide - Book #1"

*Delco*



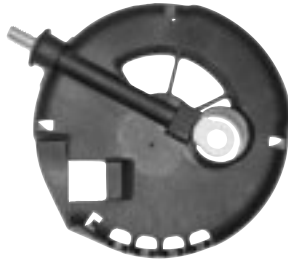
S-6002  
SRE Cover  
For: Delco CS130D  
Replaces: Delco 10475768  
Fits: Delco 10479981, 9984; 10480017,  
0043, 0071, 0072, 0074, 0076, 0119,  
0182, 0187, 0188, 0189, 0190



S-6003  
SRE Cover  
For: Delco CS130D  
Replaces: Delco 10476383  
Fits: Delco 10480052



S-6005  
SRE Cover  
For: Delco CS130D  
Replaces: Delco 10488602  
Fits: Delco 10480076, 0079, 0167, 0168,  
0170, 0198; Delco Reman 321-1097,  
1098, 1108  
Lester: 8206



S-6006  
SRE Cover  
For: Delco CS130D  
Replaces: Delco 10490891  
Fits: Delco 10480184  
Lester: 8228-7  
▲ With integral Battery Terminal



S-6010  
SRE Cover  
For: Delco CS130D  
Replaces: Delco 10490877  
Fits: Delco 10480207, 10480299  
Lester: 8229-7, 8230-7



S-1693  
Rectifier Cover  
For: Delco CS121, CS130  
Replaces 1989665, 10470733



S-2333  
SRE Bearing Cover  
For: Delco 25SI, 26SI, 30SI, 33SI, 34SI,  
Ford 3G  
Replaces: Delco 1876813; Ford  
N807749-S



S-2422  
Slip Ring Cover  
For: Delco CS144  
Replaces: Delco 10470414



S-3159  
Cover Plate  
For: Delco 30SI  
Replaces: Delco 1876814

Additional Baffles, Covers, & Shields may be found in companion catalog "Ace Alternator Parts Buyers Guide - Book #1"

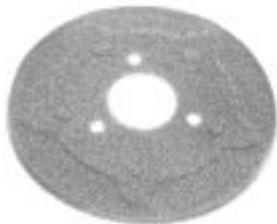
*Delco*



C-3259  
Transformer Cover  
For: Delco 30SI TR-Series  
Replaces: Delco 830285

**33SI, 34SI**  
**New Item**  
**In Process**

S-3376  
Cover Plate  
For: Delco 33SI, 34SI  
Replaces: Delco



S-1505  
DE Screen  
For: Delco 10SI Type 110  
Replaces: Delco 1976482  
▲ Three Layer



C-3103  
SRE Cover  
For: Delco 10SI Type 110  
Replaces: Delco 1851178, 1985495



S-6504  
Spade Terminal Cover  
For: Delco White Package Voltage  
Regulators  
Replaces: Delco 10476720

*Ford*



S-1920-2  
Battery Terminal Cap  
For: Ford 3G, 6G  
▲ Component of S-1920 Terminal Kit



S-2333  
SRE Bearing Cover  
For: Delco 25SI, 26SI, 30SI, 33SI, 34SI;  
Ford 3G  
Replaces: Delco 1876813; Ford  
N807749-S



S-6801  
SRE Cover  
For: Ford 4G  
Replaces: Ford F5OU-10C372-AA  
Fits: Ford F5OU-10300-AA, -FC;  
F68U-10300-AF, F6DU-10300-BB, -DD;  
F6LU-10300-CB; F6OU-10300-AA,  
F6ZU-10300-BE, F77U-10300-AC;  
F78U-10300-AA, F8OU-10300-CA;  
F5OY-10346-A, F68Z-10346-AD,  
F6DZ-10346-B, D; F6LY-10346-A,  
F6OY-10346-AA, F6ZZ-10346-B,  
F77Z-10346-AB, F78Z-10346-AA,  
F8OZ-10346-CA  
Lester Unit: 7773, 80, 81, 86, 87

**6G**  
**New Item**  
**In Process**

S-6828  
SRE Bearing Cover  
For: Ford 6G  
Replaces: Ford F8AU-10C372-BA

Additional Baffles, Covers, & Shields may  
be found in companion catalog "Ace  
Alternator Parts Buyers Guide - Book #1"

## Hitachi



S-3837  
Brush Holder Cover  
For: Hitachi  
Replaces: Nissan 23236-P0100, U0100  
Fits: Hitachi LT150-21, 23B, 26B;  
LT160-23, 23B, 23C, 23E  
Lester: 14118, 119, 209, 214, 230



S-4969  
Rectifier Cover  
For: Hitachi  
Replaces: Nissan 23236-H0300  
Fits: Hitachi LT135-26, 30, 35C;  
LT150-21, 26B  
Lester: 14105, 118, 119, 191, 209, 214,  
223



S-5283  
SRE Seal  
For: Hitachi with Air Pump  
Replaces: Isuzu 8-94223-981-0  
Lester: 14585

## Nippondenso



S-5421  
SRE Cover  
For: Nippondenso  
Replaces: Honda 31135-PD1-004,  
PD2-004, PM4-003; Isuzu 8-94160-639-0;  
Nippondenso 021551-084, 085, 095,  
117, 201; Toyota 27039-15170, 63020,  
63021, 63040, 72010, 72110  
Lester: 13229, 240, 241, 277, 294, 319,  
322, 326, 383, 392, 398, 509, 521, 544;  
14449, 453, 454, 455, 457, 458, 591,  
611, 668, 671, 674, 678, 679, 680, 682,  
683, 684, 755, 756, 757, 759, 847, 851,  
852, 853, 854, 855, 857, 870, 930, 931,  
935, 937, 941, 974, 989



S-7000  
SRE Cover  
For: Nippondenso 40/90  
Fits: Chrysler 4557301; 5233418, 3449,  
3672, 3673, 3949, 3973, 4028, 4029,  
4031, 4032, 420; Jeep Eagle 56005684,  
5685; Nippondenso 121000-300, 310,  
330, 331, 333, 336, 337, 338, 339, 340,  
343, 344, 345  
Lester: 13184, 185, 245, 256, 305, 306,  
307, 312, 341  
▲ Same as S-7003 except without  
Ground Strap Hole



S-7001  
SRE Cover  
For: Nippondenso  
Fits: Honda 31100-P30-0230W,  
PT2-003, PT3-A511M; Nippondenso  
100211-611, 803, 809, 812, 815, 819,  
830, 838, 839, 857, 835, 860; Toyota  
27060-16230, 16260, 42060, 62040,  
62070, 74080, 74100, 74170, 76030  
Lester: 13276, 278, 322, 325, 331, 385,  
395, 407



S-7002  
SRE Cover  
For: Nippondenso 50/120  
Fits: Chrysler 5233599, 3608, 3660,  
4033, 4199, 4208, 4374, 4651;  
Nippondenso 121000-400, 401, 403,  
404, 405, 406, 407, 408, 409, 410  
Lester: 13280, 201, 202, 204, 301, 302,  
304, 308, 309, 310, 311, 313



S-7003  
SRE Cover  
For: Nippondenso  
Fits: Chrysler 4557301; 5233418, 3449,  
3672, 3673, 3949, 3973, 4028, 4031,  
4032, 4201; Nippondenso 121000-300,  
310, 330, 331, 333, 336, 337, 338, 339,  
340, 343, 345  
▲ Ground Strap available as S-5028

Additional Baffles, Covers, & Shields may  
be found in companion catalog "Ace  
Alternator Parts Buyers Guide - Book #1"

# Nippondenso



S-7007  
SRE Cover  
For: Nippondenso  
Replaces: Nippondenso 021551-0911  
Fits: Isuzu 8-97023-652-0; 8-97027-568-0,  
568-1, 568-2; 8-97070-343-0;  
Nippondenso 100211-795, 799;  
101211-016  
Lester: 13391, 13423, 13569



S-7008  
SRE Cover  
For: Nippondenso  
Replaces: Nippondenso 021551-2210  
Fits: Honda 31100-P13-013, P14-A02,  
P72-003, P75-003, P0A-A01, P0B-A01,  
PV1-A01, PV1-A02; CJP56, CJP75,  
CJP78, CJP92, CJS42, CJS44, CJS50,  
CJS51, CJU12; Nippondenso  
100211-535, 810, 854, 855, 857, 874,  
877, 885, 891, 895; 101211-536, 541,  
543, 549, 550, 569, 912, 914; Toyota  
27060-03011, 11200, 62030, 62070,  
70291  
Lester: 13331, 393, 394, 395, 396, 407,  
433, 506, 507, 529, 530, 538, 539, 540,  
683, 684  
▲ Ground Strap available as S-5028



S-7009  
SRE Cover  
For: Nippondenso  
Replaces: Nippondenso 021551-2260  
Fits: Nippondenso 101211-501, 502,  
508, 511, 515, 516, 523, 524, 527, 554,  
561, 572, 597, 915; Toyota 27060-  
03050, 11280, 11281, 15090, 15110,  
15140, 46200, 50190, 62090, 66070,  
76080, 74360, 74410  
Lester: 13457, 481, 487, 489, 495, 497,  
499, 546, 537, 551, 557, 669  
▲ Ground Strap available as S-5028



S-7011  
SRE Cover  
For: Nippondenso  
Replaces: Nippondenso 021551-2220  
Fits: Isuzu 8-97029-986-0;  
Nippondenso: 100211-823, 881, 882,  
887; 101211-5220; Toyota 27060-74130,  
74290, 74291, 74300, 74320  
Lester: 13252, 13424, 13440, 13454,  
13498  
▲ Ground Strap available as S-5028



S-7012  
SRE Cover  
For: Nippondenso  
Fits: Nippondenso 100211-4770,  
101211-5090; Toyota 27060-74390,  
27060-012F4  
Lester: 13556  
▲ Ground Strap available as S-5028



S-7013  
SRE Cover  
For: Nippondenso  
Fits: Nippondenso 101211-545, 556,  
562, 906, 910; Toyota 27060-20010,  
46140, 46190, 0A020  
Lester: 13545, 13552, 13558, 13704  
▲ Ground Strap available as S-5028

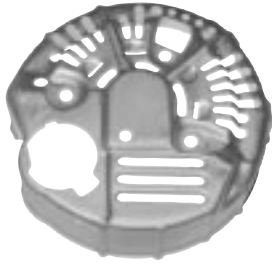


S-7015  
SRE Cover  
For: Nippondenso  
Replaces: Nippondenso 021551-2150  
Fits: GM 94854169; Nippondenso  
100211-288; 101211-006, 007, 012, 013,  
014, 019, 020, 034, 035, 053, 059, 068,  
072, 073, 074, 413; Toyota 27060-  
11270, 11290, 11330, 11340, 15080,  
15100, 35150, 35160, 62180, 64240,  
65040, 74370, 75040  
Lester: 13409, 482, 486, 488, 492, 496,  
499, 536, 671

Additional Baffles, Covers, & Shields may  
be found in companion catalog "Ace  
Alternator Parts Buyers Guide - Book #1"



## Nippondenso



S-7017  
SRE Cover  
For: Nippondenso  
Replaces: Nippondenso 021551-1510, 021551-2160  
Fits: Chrysler 4642031; Nippondenso 100211-613, 637, 641; Toyota 27060-50040, 61100  
Used On: Dodge., Lexus., Toyota  
Lester: 13389, 13562, 13566  
▲ Ground Strap available as S-5028



S-7022  
SRE Cover  
For: Nippondenso  
Fits: Nippondenso 101211-7060, 101211-7160; Toyota 27060-74440, 27060-74500  
Lester: 13502  
▲ Ground Strap available as S-5028



S-7026  
SRE Cover  
For: Nippondenso  
Replaces: Nippondenso 021551-1190, 1200  
Fits: Diahatsu 27060-87603-00, 87706-00; GM 96060337; Isuzu 8-94445-672-0; Nippondenso: 100211-152, 155, 156, 157, 407, 411, 415, 417, 426, 429, 435, 454, 660, 672, 686, 687, 699; 101211-202; Suzuki: 31400-60B11, 60B40, 83010, 86010  
Lester: 13214, 13239, 13255, 13316, 13390, 13414, 13522, 14684, 14733, 14843, 14937, 14938, 14940



S-7019  
SRE Cover  
For: Nippondenso  
Replaces: Nippondenso 021551-1930, 021551-2170  
Fits: Honda 31100-PY3-003, PY3-013; Jaguar DCB6819; Nippondenso 101100-755, 617, 631, 636; Toyota 27060-74330  
Lester: 13387, 13524, 13525  
▲ Ground Strap available as S-5028

Additional Baffles, Covers, & Shields may be found in companion catalog "Ace Alternator Parts Buyers Guide - Book #1"

## Chrysler



ID-----5 3/4"  
OD-----.670

1194P  
Clockwise Fan  
For: Chrysler Corporate 40/90, 50/120  
Replaces: Chrysler 5226458



ID-----5 3/4"  
OD-----.875

1264P  
Clockwise Fan  
For: Delco 20SI, 21SI, 22SI  
Replaces: Delco 10471121  
▲ Machined & Balanced, Cast Aluminum  
▲ Referred to as 'Quiet Fan'



ID-----4 3/4"  
OD-----.670

1920P  
Clockwise Fan  
For: Delco CS121  
Replaces: Delco 10495204

## Delco



ID-----5 3/4"  
OD-----.670

1252P  
Clockwise Fan  
For: Delco 15SI, 17SI, CS144  
Replaces: Delco 1978026



ID-----5 3/4"  
OD-----.670

1273P  
Clockwise Fan  
For: Delco CS144  
Replaces: Delco 10471962  
▲ Insert Molded

## Ford



ID-----6 3/8"  
OD-----.880

1211P  
Bi-Directional Fan with Baffle  
For: Ford Truck Alternators  
Replaces: Ford D0AZ-10A310-A,  
GP496



ID-----5 3/4"  
OD-----.875

1261P  
Bi-Directional Fan  
For: Delco 20SI, 21SI, 22SI  
Replaces: Delco 10467272  
▲ Machined & Balanced, Cast Aluminum



ID-----5"  
OD-----.670

1919-P  
Clockwise Fan  
For: Delco CS130  
Replaces: Delco 1989581

NOTE: FOR INTERNAL ROTOR FANS SEE ROTOR COMPONENT SECTION

Additional Fans may be found in companion catalog "Ace Alternator Parts Buyers Guide - Book #1"

# Chrysler



C-3099  
DE Frame  
For: Chrysler Round Back and Square Back  
Replaces: Chrysler 861202, 2095008, 2095929, 2095945, 3656443



C-4084L  
DE Frame  
For: Chrysler Square Back  
Used On: Dodge Omni and Plymouth Horizon with 1.7L, 2.2L Engine  
Replaces: Chrysler 5206421, 5206422  
Lester: 7548, 7549, 14250, 14251, 14252, 14253  
▲ Relief Cut in Mounting Ear to accommodate Ferrule Installation (S-4085)



C-4087-A  
DE Frame  
For: Chrysler Revised Square Back  
Replaces: Chrysler 4091402, 4091534  
Lester: 7509, 7532M, 7533M  
▲ 5/16-18 Threaded Adjusting Lug  
▲ C-4087E 'Economy' also available



C-4048  
DE Frame  
For: Chrysler Corporate 40/90 Amp, 50/120 Amp  
Replaces: Chrysler 5226620, 5226621  
Lester: 7002, 7552, 7557

# Delco



C-3411  
DE Frame  
For: Delco CS121  
Replaces: Delco 10496260, 10496261  
Fits: Delco 1102614, 1105697, 10479815  
Lester: 7819, 7951, 8111  
▲ Right Ear Threaded M8-1.25  
▲ Accepts A-203-2S Bearing



C-3412  
DE Frame  
For: Delco CS121  
Replaces: Delco 10499846, 10499847  
Fits: Delco 1101291, 320, 321, 483, 565; 1102615  
Lester: 7923, 7937, 7938, 7970  
▲ Adjusting Ear Threaded M8-1.25  
▲ Accepts A-203-2S Bearing



C-3413  
DE Frame  
For: Delco CS121  
Replaces: Delco 10496742, 10496743  
Fits: Delco 1101319  
Lester: 7926  
▲ Adjusting Ear Threaded M8-1.25  
▲ Accepts A-203-2S Bearing



C-3424  
DE Frame  
For: Delco CS121  
Replaces: Delco 10497722, 10497723  
Fits: Delco 1101168  
Lester: 7873  
▲ Adjusting Ear M8 Bore - Not Threaded  
▲ Accepts A-203-2S Bearing



C-3425  
DE Frame  
For: Delco CS121  
Replaces: Delco 10497725, 10497726  
Fits: Delco 1101171, 172, 175, 176  
Lester: 7815, 7816, 7817, 7818 & others  
▲ Adjusting Ear M8 Bore - Not Threaded  
▲ Accepts A-203-2S Bearing

Additional Frames may be found in companion catalog "Ace Alternator Parts Buyers Guide - Book #1"

Delco



C-3426  
DE Frame  
For: Delco CS121  
Replaces: Delco 10499648, 10499649  
▲ Adjusting Ear Threaded M8-1.25  
▲ Accepts A-203-2S Bearing



C-3476  
DE Frame  
For: Delco CS121  
Replaces: Delco 10498009  
Fits: Delco 1101531, 563, 564, 816  
Lester: 7929, 7943, 7954  
▲ Adjusting Ear Threaded M8-1.25  
▲ Accepts A-203-2S Bearing



C-3479  
DE Frame  
For: Delco CS121  
Replaces: Delco 10475848  
Fits: Delco 10463447, 10480067  
Lester: 8179  
▲ Adjusting Ear Threaded M8-1.25  
▲ Accepts A-203-2S Bearing

## CS121 New Item In Process

C-3481  
DE Frame  
For: Delco CS121  
Replaces: Delco 10469585, 10469587  
Fits: Delco 10479805  
Used on: Geo Prizm  
Lester: 8106  
▲ Adjusting Ear Threaded M8-1.25  
▲ Accepts A-303-2S Bearing



C-3402  
DE Frame  
For: Delco CS130  
Replaces: Delco 10496336, 10496337, D3458  
Fits: Delco 1101191, 461, 605; 1105701, 10479963  
Lester: 7886, 7933  
▲ Right Ear Threaded M8-1.25  
▲ Mounting Radius 3-1/16" (78mm)  
▲ Accepts A-203-2S Bearing



C-3403  
DE Frame  
For: Delco CS130  
Replaces: Delco 1989631, 1989634, 10468201, D3453  
Fits: Delco 1101125, 126, 137, 138, 141, 150, 151, 184, 464, 465, 571, 619, 621, 630, 634, 635, 636, 806, 807, 812, 814, 815; 1102629, 630, 631; 1105612, 661, 662, 663, 664, 665, 667, 671, 672, 688, 712, 716, 718, 720; 10479874, 9883  
Lester: 7800, 7802, 7807, 7810, 7820, 7821, 7823, 7824, 7858, 7866, 7867, 7892, 7894, 7909, 7912, 7967, 7977  
▲ Adjusting Ear Threaded M8-1.25  
▲ Mounting Radius 3-5/16" (84mm)  
▲ Accepts A-203-2S Bearing  
▲ For big bearing version use C-3469WB



C-3403LT  
DE Frame  
For: Delco CS130  
Replaces: Delco 10496671, 10496672, D3459  
Fits: Delco 1101127, 146, 158, 179, 181, 186, 229, 264, 272, 273, 275, 292, 601; 1105678  
Lester: 7803, 7804, 7808, 7887, 7888, 7907, 7908, 7924, 7926  
▲ Adjusting Ear M8 Bore - Not Threaded  
▲ Mounting Radius 3-5/16" (84mm)  
▲ Accepts A-203-2S Bearing  
▲ For big bearing version use C-3469LTWB

Additional Frames may be found in companion catalog "Ace Alternator Parts Buyers Guide - Book #1"

Delco



C-3404  
DE Frame  
For: Delco CS130  
Replaces: Delco 10495814, 10495816, D3456  
Fits: Delco 1101123, 124, 144, 145, 190, 475, 608; 110669, 670; 10479898, 9937, 9938  
Lester: 7801, 7810, 7868, 7870, 7872, 7877, 7936, 7982, 7983  
▲ Adjusting Ear Threaded M8-1.25  
▲ Mounting Radius 3-1/16" (78mm)  
▲ Accepts A-203-2S Bearing  
▲ For big bearing version use  
C-3477WB



C-3404LT  
DE Frame  
For: Delco CS130  
Replaces: Delco 10468448, 10473393  
Fits: Delco 1101173, 271, 642; 10480035  
Lester: 8137, 8154  
▲ Adjusting Ear M8 Bore - Not Threaded  
▲ Mounting Radius 3-1/16" (78mm)  
▲ Accepts A-203-2S Bearing



C-3405  
DE Frame  
For: Delco CS130  
Replaces: Delco 10468200, 10476024, 10495358, 10495359, D3454  
Fits: Delco 1101110, 111, 253, 254, 255, 293, 317, 318, 500, 521, 582, 599, 600, 616, 617, 620, 628, 629, 632, 633, 637, 645, 646, 647; 1105710, 711, 715; 10479801, 802, 807, 808, 896, 906, 912, 921, 922, 993, 997; 10480028  
Lester: 7861, 7884, 7885, 7889, 7906, 7917, 7920, 7921, 7925, 7931, 7952, 7957, 7961, 7962, 7974, 7981, 8115, 8165, 8186  
▲ Adjusting Ear Threaded M8-1.25  
▲ Mounting Radius 3-1/16" (78mm)  
▲ Accepts A-203-2S Bearing  
▲ For big bearing version use  
C-3467WB



C-3405LT  
DE Frame  
For: Delco CS130  
Replaces: Delco 10468447, 10498213, 10498214  
Fits: Delco 1110167, 1101170  
Lester: 7897, 7902  
▲ Adjusting Ear M8 Bore - Not Threaded  
▲ Mounting Radius 3-1/16" (78mm)  
▲ Accepts A-203-2S Bearing



C-3406  
DE Frame  
For: Delco CS130  
Replaces: Delco 10473402, 10473937, 10495572, 10495573, 10496032, 10496033, D3455, D3457  
Fits: Delco 1101135, 136, 139, 140, 142, 143, 148, 149, 154, 160, 162, 227, 231, 246, 259, 277, 278, 344, 346, 505, 583, 593, 595, 596, 603, 612, 618, 810, 822, 832, 846; 1102600, 601, 617; 1105694, 698, 722, 725; 10479800, 806, 814, 893, 895, 902, 903, 905, 909, 910, 911, 913, 920, 974, 998; 10480036, 068, 114  
Lester: 7808, 7856, 7857, 7859, 7860, 7878, 7880, 7881, 7882, 7883, 7905, 7913, 7928, 7932, 7975, 7979, 7980, 7990, 8118, 8130, 8140  
▲ Adjusting Ear Threaded M8-1.25  
▲ Mounting Radius 3-1/16" (78mm)  
▲ Accepts A-203-2S Bearing  
▲ For big bearing version use  
C-3468WB



C-3406LT  
DE Frame  
For: Delco CS130  
Replaces: Delco 10499095, 10499096  
Fits: Delco 1101101, 107, 466, 467, 606; 1102602, 603; 10479897; 10480037  
Lester: 7910, 7939  
▲ Adjusting Ear M8 Bore - Not Threaded  
▲ Mounting Radius 3-1/16" (78mm)  
▲ Accepts A-203-2S Bearing  
▲ For big bearing version use  
C-3468LTWB

Additional Frames may be found in companion catalog "Ace Alternator Parts Buyers Guide - Book #1"



C-3409  
DE Frame  
For: Delco CS130  
Replaces: Delco 10468449  
Fits: Delco 1101266, 1101267, 1102644  
Lester: 7973  
▲ Adjusting Ear Threaded M8-1.25  
▲ Mounting Radius 3-1/16" (78mm)  
▲ Accepts A-203-2S Bearing  
▲ For big bearing version use C-3472WB



C-3433  
DE Frame  
For: Delco CS130  
Replaces: Delco 10467239  
Fits: Delco 1101478, 1101480  
▲ Adjusting Ear Threaded M10-1.50  
▲ Mounting Radius 3-5/16" (84mm)  
▲ Accepts A-203-2S Bearing  
▲ For big bearing version use C-3470WB



C-3463  
DE Frame  
For: Delco CS130  
Replaces: Delco 10499700\*, 10473705, 10473707, 10476412, D3179\*  
Fits: Delco 1101310\*, 577\*, 649\*, 650\*, 1102604\*, 607\*, 10479901\*, 9954, 9962\*, 10480027\*, 0040\*, 0098, 0127  
Lester: 7914\*, 7964\*, 8103  
▲ Adjusting Ear M10 Bore - Not Threaded  
▲ Mounting Radius 3-1/2" (89mm)  
▲ Accepts A-303-2S Bearing  
\* Use 'Thin' rotor spacer S-6215 with big-bearing CS130 Drive End Frames

C-3463WB  
▲ Supplied with A-303-2S Bearing Installed



C-3464  
DE Frame  
For: Delco CS130  
Replaces: Delco 10474599\*, 10477537  
Fits: Delco 1101644\*, 10480157  
Lester: 8114, 8217  
▲ Mounting Ears Not Threaded - Both M10 Bore  
▲ Mounting Radius 3-1/16" (78mm)  
▲ Accepts A-303-2S Bearing  
\* Use 'Thin' rotor spacer S-6215 with big-bearing CS130 DE Frames

C-3464WB  
▲ Supplied with A-303-2S Bearing Installed



C-3465  
DE Frame  
For: Delco CS130  
Replaces: Delco 10475909  
Fits: Delco 10480025, 0172, 0181  
Lester: 8171, 8198, 8202  
▲ Mounting Ears Not Threaded, M10 Bore (6:00), M8 Bore (2:00)  
▲ Mounting Radius 3-1/16" (78mm)  
▲ Accepts A-303-2S Bearing

C-3465WB  
▲ Supplied with A-303-2S Bearing Installed



C-3467  
DE Frame  
For: Delco CS130  
Replaces: Delco 10475376, 10476236, 10477178  
Fits: Delco 1101110, 111; 10480055, 0069, 0082, 0084, 0086, 0087, 0094, 0097, 0099, 0104  
Lester: 7861, 7921, 8116, 8165, 8189  
▲ Adjusting Ear Threaded M8-1.25  
▲ Mounting Radius 3-1/16" (78mm)  
▲ Accepts A-303-2S Bearing  
▲ Please refer to C-3405 for small bearing requirement

C-3467WB  
▲ Supplied with A-303-2S Bearing Installed

Additional Frames may be found in companion catalog "Ace Alternator Parts Buyers Guide - Book #1"

Delco



C-3468  
DE Frame  
For: Delco CS130  
Replaces: Delco 10476292  
Fits: Delco 1101139, 140, 142, 143, 148, 149; 10480105, 0115, 0134, 0136, 0137  
Lester: 7860, 7878, 7879, 7880, 7881, 8118, 8130, 8169  
▲ Adjusting Ear Threaded M8-1.25  
▲ Mounting Radius 3-1/16" (78mm)  
▲ Accepts A-303-2S Bearing  
▲ Please refer to C-3406 for small bearing requirement

C-3468WB  
▲ Supplied with A-303-2S Bearing Installed



C-3468LT  
DE Frame  
For: Delco CS130  
Replaces: Delco 10477164  
▲ Adjusting Ear M8 Bore - Not Threaded  
▲ Mounting Radius 3-1/16" (78mm)  
▲ Accepts A-303-2S Bearing  
▲ Please refer to C-3406LT for small bearing requirement  
▲ When replacing small bearing end frame (C-3406LT) with big bearing end frame (C-3468) use 'thin' rotor spacer S-6215.

C-3468LTWB  
▲ Supplied with A-303-2S Bearing Installed



C-3469  
DE Frame  
For: Delco CS130  
Replaces: Delco 10476367  
Fits: Delco 1101125, 126, 137, 138, 141; 10480083, 0085, 0088, 0089, 0090, 0091, 0092  
Lester: 7802, 7858, 7868, 7894, 8166, 8167  
▲ Adjusting Ear Threaded M8-1.25  
▲ Mounting Radius 3-5/16" (84mm)  
▲ Accepts A-303-2S Bearing  
▲ Please refer to C-3403 for small bearing requirement

C-3469WB  
▲ Supplied with A-303-2S Bearing Installed



C-3469LT  
DE Frame  
For: Delco CS130  
Replaces: Delco 10487322, 10496671, 10496672, D3459  
Fits: Delco 1101127, 146, 158, 179, 181, 186, 229, 264, 272, 273, 275, 292, 601; 1105678  
Lester: 7803, 7804, 7808, 7888  
▲ Adjusting Ear M8 Bore - Not Threaded  
▲ Mounting Radius 3-5/16" (78mm)  
▲ Accepts A-303-2S Bearing  
▲ Please refer to C-3403LT for small bearing requirement

C-3469LTWB  
▲ Supplied with A-303-2S Bearing Installed



C-3470  
DE Frame  
For: Delco CS130  
Replaces: Delco 10476370  
Fits: Delco 10480093  
Lester: 8008  
▲ Adjusting Ear Threaded M10-1.50  
▲ Mounting Radius 3-5/16" (84mm)  
▲ Accepts A-303-2S Bearing  
▲ Please refer to C-3433 for small bearing requirement

C-3470WB  
▲ Supplied with A-303-2S Bearing Installed



C-3471  
DE Frame  
For: Delco CS130  
Used On: Saturn  
Fits: Delco 21021310, 1447, 2772, 2893, 3516, 3702, 3724  
Lester: Delco 8107, 8215  
▲ Mounting Ears Not Threaded - Both M8 Bore  
▲ Mounting Radius 3-1/16" (78mm)  
▲ Accepts A-303-2S Bearing

C-3471WB  
▲ Same as C-3471 with A-303-2S Bearing Installed

Additional Frames may be found in companion catalog "Ace Alternator Parts Buyers Guide - Book #1"

# Delco



C-3472  
 DE Frame  
 For: Delco CS130  
 Replaces: Delco 10468449\*, 10469874, 10477072  
 Fits: Delco 1101266\*, 267\*, 638; 1102644\*; 10479969, 9976  
 Used On: Dodge, Eagle, Freightliner  
 Lester: 7973  
 ▲ Top Ear (12:00) Threaded M8-1.25, Bottom Ear M10 Bore  
 ▲ Mounting Radius 3-1/16" (78mm)  
 ▲ Accepts A-303-2S Bearing  
 ▲ Please refer to C-3409 for small bearing requirement

C-3472WB  
 ▲ Supplied w/A-303-2S Installed



C-3477  
 DE Frame  
 For: Delco CS130  
 Replaces: Delco 10495814, D3456  
 Fits: Delco 1101123, 124, 144, 145, 190, 475, 608; 1105669, 670; 10479898, 9937, 9938  
 Lester: 7801, 7810, 7868, 7870, 7872  
 ▲ Adjusting Ear Threaded M8-1.25  
 ▲ Mounting Radius 3-1/16" (78mm)  
 ▲ Accepts A-303-2S Bearing  
 ▲ Please refer to C-3404 for small bearing requirement

C-3477WB  
 ▲ Supplied with A-303-2S Bearing Installed



C-3478  
 DE Frame  
 For: Delco CS130  
 Replaces: Delco 10496336, D3458  
 Fits: Delco 1101191, 461, 605; 1105701; 10479963  
 Lester: 7886, 7933  
 ▲ Right Ear Threaded M8-1.25  
 ▲ Mounting Radius 3-1/16" (78mm)  
 ▲ Accepts A-303-2S Bearing  
 ▲ Please refer to C-3402 for small bearing requirement

C-3478WB  
 ▲ Supplied with A-303-2S Bearing Installed



C-6019  
 DE Frame  
 For: Delco CS130D  
 Replaces: Delco 10476387  
 Fits: Delco 10480052, 0071, 0119, 0195, 0196  
 Lester: 8155, 8156, 8161, 8182, 8186  
 ▲ Mounting Ear M10 Bore - Not Threaded  
 ▲ Mounting Radius 3.50" (89mm)  
 ▲ Accepts A-303-2S Bearing

C-6019WB  
 ▲ Supplied with A-303-2S Bearing Installed



C-6020  
 DE Frame  
 For: CS130D  
 Replaces: Delco 10475739  
 Fits: Delco 10479981, 9984; 10480017, 0072, 0187, 0188, 0189, 0190  
 Lester: 8157, 8159, 8160, 8162  
 ▲ Mounting Ear Threaded M8-1.25  
 ▲ Mounting Radius 3.15" (80mm)  
 ▲ Accepts A-303-2S Bearing

C-6020WB  
 ▲ Supplied with A-303-2S Bearing Installed



C-6021  
 DE Frame  
 For: CS130D  
 Replaces: Delco 10477149  
 Fits: Delco 10480074  
 Lester: 8190  
 ▲ Mounting Ear Threaded M8-1.25  
 ▲ Mounting Radius 3.23" (82mm)  
 ▲ Accepts A-303-2S Bearing

C-6021WB  
 ▲ Supplied with A-303-2S Bearing Installed

Additional Frames may be found in companion catalog "Ace Alternator Parts Buyers Guide - Book #1"



Delco



C-6022  
DE Frame  
For: Delco CS130D  
Replaces: Delco 10476309  
Fits: Delco 10463440, 10480043  
Lester: 8158  
▲ Mounting Ear M10 Bore - Not Threaded  
▲ Mounting Radius 3.50" (89mm)  
▲ Accepts A-303-2S Bearing

C-6022WB  
▲ Supplied with A-303-2S Bearing Installed



C-6023  
DE Frame  
For: Delco CS130D  
Replaces: Delco 10477835  
Fits: Delco 10480182, 0218, 0240, 0260, 0262, 0264, 0301, 0307, 0351  
Lester: 8200  
▲ Accepts A-303-2S Bearing

C-6023WB  
▲ Supplied with A-303-2S Bearing Installed



C-6024  
DE Frame  
For: Delco CS130D  
Replaces: Delco 10488598, 10492103  
Fits: Delco 10463940, 4090; 10480167, 0168, 0170, 0198, 0251  
Lester: 8205, 8206, 8210, 8216  
▲ Mounting Ear M10 Bore - Not Threaded  
▲ Mounting Radius 3.23" (82mm)  
▲ Accepts A-303-2S Bearing

C-6024WB  
▲ Supplied with A-303-2S Bearing Installed



C-6025  
DE Frame  
For: Delco CS130D  
Replaces: Delco 10489064  
Fits: Delco 10480076, 0078, 0289, 0321  
Lester: 8199, 8208  
▲ Mounting Ear Threaded M8-1.25  
▲ Mounting Radius 3.15" (80mm)  
▲ Accepts A-303-2S Bearing

C-6025WB  
▲ Supplied with A-303-2S Bearing Installed



C-6028  
DE Frame  
For: Delco CS130D  
Fits: Delco 10480079, 10480322  
Lester: 8197  
▲ Accepts A-303-2S Bearing

C-6028WB  
▲ Supplied with A-303-2S Bearing Installed



C-6030  
DE Frame  
For: Delco CS130D  
Unit: Delco 10480191, 10480250  
Lester: 8223  
▲ Accepts A-303-2S Bearing

C-6030WB  
▲ Supplied with A-303-2S Bearing Installed



C-6032  
DE Frame  
For: CS130D  
Fits: Delco: 10480184, 10480207  
Lester: 8228-7, 8229-7  
▲ Similar to C-6028, except the stator bore is 1mm deeper for use with the wide core CS130D stator.

C-6032WB  
▲ Supplied with A-303-2S Bearing Installed

Additional Frames may be found in companion catalog "Ace Alternator Parts Buyers Guide - Book #1"



**C-5101**  
 DE Frame  
 For: Delco CS144  
 Replaces: Delco 1989601, 10470800, 10476886, D3449, D3462  
 Fits: Delco 1101182, 183, 237, 238, 250, 274, 316, 325, 326, 331, 349, 454, 566, 567, 573, 597, 604, 849; 1105615, 616, 684, 685; 10479838, 843, 844, 853, 854, 844, 904, 907; 10480131  
 Lester: 7805, 11, 14, 62, 64, 74, 76, 7911, 90, 8119, 21, 22, 24, 48, 49  
 ▲ Adjusting Ear M10 Bore - Not Threaded  
 ▲ Accepts A-203-2S Bearing



**C-5102**  
 DE Frame  
 For: Delco CS144  
 Replaces: Delco 1989709, D3450  
 Fits: Delco 1101133, 212, 213, 214, 239, 270, 294, 295, 296, 329, 330, 350, 482, 486, 487, 490, 491, 493, 518, 519, 574, 591, 805; 1102634, 637, 639, 641, 642, 643; 1105625, 626, 657; 10479809, 836, 839, 847, 884, 959  
 Lester: 7806, 12, 13, 63, 7901, 04, 15, 16, 41, 42, 86, 8101, 42, 45, 46, 47  
 ▲ Adjusting Ear Threaded M10-1.50  
 ▲ Accepts A-203-2S Bearing



**C-5104**  
 DE Frame  
 For: Delco CS144  
 Replaces: Delco 10470419, 10476609  
 Fits: Delco 1101579, 818, 819, 850; 10479817, 9852, 9995, 9996; 10480008, 0009, 0012, 0019, 0024, 0048, 0116, 0122, 0138, 0139, 0177, 0200, 0202, 0282, 0296, 0297, 0310, 0311  
 Lester: 7964, 7966, 7969, 8113, 8127, 8131, 8132, 8134  
 ▲ Adjusting Ear Threaded M10-1.50  
 ▲ Accepts A-303-2S Bearing

**C-5104WB**  
 ▲ Supplied with A-303-2S Bearing Installed



**C-5105**  
 DE Frame  
 For: Delco CS144  
 Replaces: Delco 10471339, D3463  
 Fits: Delco 1101590, 844; 1102605, 616, 625; 10479891, 966; 10480010, 0011, 0018, 0022, 0023, 0026, 0033, 0034, 0111, 0120, 0171, 0201, 0203, 0269  
 Lester: 7985, 8104, 8105, 8112, 8133, 8135, 8136, 8144  
 ▲ Adjusting Ear M10 Bore - Not Threaded  
 ▲ Accepts A-303-2S Bearing

**C-5105WB**  
 ▲ Supplied with A-303-2S Bearing Installed



**C-5107**  
 DE Frame  
 For: Delco CS144  
 Replaces: Delco 10487578  
 Fits: Delco 10480135, 0186, 0204, 0205, 0227  
 Lester: 8174, 8193, 8194, 8213  
 ▲ Accepts A-303-2S Bearing

**C-5107WB**  
 ▲ Supplied with A-303-2S Bearing Installed



**C-5112**  
 DE Frame  
 For: Delco CS144  
 Replaces: Delco 10471729, 10499383  
 Fits: Delco 1101263, 561, 623; 1102635; 10479884  
 Lester: 7918, 7950, 7955  
 ▲ Adjusting Ear Threaded M8-1.25  
 ▲ Accepts A-203-2S Bearing



**C-5113**  
 DE Frame  
 For: Delco CS144  
 Replaces: Delco 10489792  
 Fits: Delco 10480077, 10480211  
 Used On: Chevrolet Lumina Cargo Van & Wagon, Chevrolet Venture, Oldsmobile, Pontiac  
 Lester: 8204  
 ▲ Accepts A-303-2S Bearing

Additional Frames may be found in companion catalog "Ace Alternator Parts Buyers Guide - Book #1"

Delco



C-5114  
 DE Frame  
 For: Delco CS144  
 Replaces: Delco 10477422  
 Fits: Delco 10480130, 10480133,  
 10480156, 10480192, 10480206,  
 10480255, 10480267  
 Used On: Chevrolet & GMC Truck  
 Lester: 8203, 8203-5, 8209, 8209-5,  
 8219, 8219-5  
 ▲ Accepts A-303-2S Bearing



C-3450  
 DE Frame  
 For: Delco 21SI  
 Replaces: Delco 10467267, D3461  
 ▲ Adjusting Ear with 1/2-13 Locking  
 Thread  
 ▲ Mounting Radius 3.9" (99mm)  
 ▲ Accepts A-305-2S Bearing



C-6500  
 DE Frame  
 For: Delco 22SIs  
 Replaces: Delco 10492754  
 Fits: Delco 19020300, 19020302,  
 19020303  
 Used On: Kenworth, Peterbilt, Navistar  
 ▲ Adjusting Ear with 1/2-13 Thread  
 ▲ Mounting Radius 3.9" (99mm)  
 ▲ Accepts A-305-2S Bearing



C-3380  
 DE Frame  
 For: Delco 33SI, 34SI  
 Replaces: Delco 10491185  
 Fits: Delco 10459141, 9142, 9143, 9144,  
 9180, 9181, 9182, 9183, 9194, 9195,  
 9196; 19011150-thru-1163, 1165,  
 1167-thru-1175, 1178, 1181  
 ▲ Adjusting Ear with 1/2-13 Thread  
 ▲ Mounting Radius 3.9" (99mm)  
 ▲ Accepts A-305-2S Bearing



C-3213  
 DE Frame  
 For: Ford 2G 80 Amp  
 Replaces: Ford E99Z-10333-A, GD-377  
 Fits: Ford E99F-10300-AB,  
 E9PF-10346-AA, E9PF-10346-AB,  
 E9PZ-10346-B, FOPZ-10346-E,  
 FOTU-10300-FA  
 Lester: 7745  
 ▲ Adjusting Ear Threaded 3/8-16  
 ▲ Accepts A-203-2S Bearing

Ford



C-3212  
 DE Frame  
 For: Ford 2G 75-80 Amp  
 Replaces: Ford F09Z-10333-A, GD-380  
 Fits: Ford F09F-10300-AA,  
 F09F-10300-BA, FOPF-10346-AA,  
 FOPF-10346-BA, FOPZ-10346-A,  
 FOPZ-10346-B  
 Lester: 7746, 7747  
 ▲ Accepts A-203-2S Bearing



C-3214  
 DE Frame  
 For: Ford 2G 80 Amp  
 Replaces: Ford E8PZ-10333-A, GD-373  
 Fits: Ford E8EF-10300-AB,  
 E8PF-10346-CB, E97F-10300-AB,  
 E9EF-10300-AA, E9PF-10346-CA,  
 E9PZ-10346-C, -D, FOPZ-10346-F,  
 FOTU-10300-GA, -HA  
 Lester: 7744  
 ▲ Adjusting Ear Threaded 3/8-16  
 ▲ Accepts A-203-2S Bearing

Additional Frames may be found in  
 companion catalog "Ace Alternator  
 Parts Buyers Guide - Book #1"

# Ford



C-3245  
DE Frame  
For: Ford Blue Back  
Replaces: E2HZ-10333-A, GD-360  
Fits: 87HU-10300-AA, -BA,  
E2HF-10346-AA, -BA, -CA, -DA  
E2HT-10300-DB, -EB, -FA, -GA,  
E2HZ-10346-B, -C, -D, -E  
E4HT-10300-AA, E7HT-10300-BA,  
E7PF-10346-AAA, E8PZ-10346-AA  
F0HT-10300-GA, -HA, -JA, -KA, -LA,  
-MA, -NA, -RA, F0HU-10346-AA, -BA,  
-CA, -DA, -EA, -FA, F0HZ-10346-A, -B,  
F0HZ-10346-C, -D, -E, -F  
▲ Adjusting Ear Threaded 3/8-16  
▲ Accepts A-305-2S Bearing



C-4037  
DE Frame  
For: Ford Large Frame 1G Series 100  
Amp  
Replaces: Ford E8OZ-10333-A, GD-369  
Fits: E8PZ-10346-B, E9PZ-10346-E  
Lester: 7742  
▲ Adjusting Ear 1" Thick, Threaded  
3/8-16  
▲ Accepts A-203-2S Bearing  
▲ Thin Ear Version Available as  
C-4033



C-4058  
DE Frame  
For: Ford 1G 65-90 Amp Truck  
Replaces: Ford D4HZ-10333A, GD-351  
Fits: Ford D2TF-10300-HA,  
D4HF-10300-BA, D4HF-10346-BA,  
D4HZ-10346-B, D4TF-10300-BA,  
D4TF-10300-CA, D4TF-10346-BA,  
D4TZ-10346-B  
Lester: 7068, 7069  
▲ Accepts A-305-2S Bearing



C-4058T  
DE Frame  
For: Ford 1G 65-90 Amp Truck  
▲ Bearing Retaining Screw Holes  
Pre-Threaded 10-24  
▲ For application information please  
refer to C-4058



C-4900  
DE Frame  
For: Ford 3G Series, Small-Frame  
95 Amp  
Fits: Ford E9DF-10300-CA,  
E9DF-10346-AA, E9DZ-10346-B,  
E9PU-10346-AA, F0DF-10300-AA,  
F0DU-10300-AB, F0DU-10300-AC,  
F0DU-10346-BC, F0DZ-10346-A,  
F0DZ-10346-D, F0PU-10346-MC,  
F13U-10300-AC, F13U-10300-AD,  
F13U-10300-BA, F13Z-10346-A,  
F1U-10300-AC, F1SU-10300-AD,  
F1SZ-10346-A, F2PU-10346-GA,  
F2UU-10300-EA, F2UU-10346-DA,  
F2UZ-10346-C, F6PZ-13046-HA,  
F6UU-10300-AA  
Lester: 7754, 7755, 7757, 7762  
▲ Mounting Ear Threaded M8 x 1.25  
▲ Mounting Radius 3.5" (89mm)  
▲ Accepts A-303-2S Bearing



C-4901  
DE Frame  
For: Ford 3G Series, Small-Frame  
95 Amp  
Fits: Ford F0CF-103000-AA,  
F0CU-10300-AA, F0CU-10300-AB,  
F0CU-10300AC, F0CU-10300-AD,  
F0CU-10346-AC, F0CZ-10346-A,  
F0CZ-10346-C, F0PU-10346-DD,  
F23U-10300-CA, F23U-10300-DA,  
F23U-10346-AD, F23Z-10346-A,  
F2PU-10346-ED, F3CU-10300-AD  
Lester: 7751, 7760  
▲ Mounting Ear Threaded M8 x 1.25  
▲ Accepts A-303-2S Bearing

Additional Frames may be found in  
companion catalog "Ace Alternator  
Parts Buyers Guide - Book #1"

Ford



C-4902  
DE Frame  
For: Ford 3G Series, Small-Frame  
95 Amp  
Fits: Ford F1PU-10346-AC,  
F1VU-10300-BB, F1VU-10300-BC,  
F1VU-10346-AD, F1VY-10346-A,  
F1VY-10346-B, F3VU-10300-AA,  
F6PZ-10346-RA, F7UU-10300-AB  
Lester: 7753  
▲ Mounting Ears M9 Bore - Not  
Threaded  
▲ Accepts A-303-2S Bearing



C-4903  
DE Frame  
For: Ford 3G Series, Large-Frame  
130 Amp  
Fits: Ford F0DZ-10346-B, F0DZ-10346-C,  
F0DZ-10346-E, F1DZ-10346-A, F1DZ-  
10346-B, F2UZ-10346-B  
Lester: 7752, 7756, 7761, 7777  
▲ Mounting Ear Threaded M8 x 1.25  
▲ Mounting Radius 4.13" (105mm)  
▲ Accepts A-303-2S Bearing



C-4904  
DE Frame  
For: Ford 3G Series, Small-Frame  
95 Amp  
Fits: Ford F07F-10300-AA,  
F07U-10300-AA, F07U-10300-AB,  
F07U-10300-AC, F07U-10346-AC,  
F0PU-10346-BD, F17U-10300-AA,  
F1PU-10346-CA, F1TZ-10346-B,  
F1TZ-10346-C, F57U-10300-AA,  
F67U-10300-AA, F67U-10300-BA,  
F6PZ-10346-LA  
Lester: 7750, 7759  
▲ Accepts A-303-2S Bearing



C-4905  
DE Frame  
For: Ford 3G Series, Small-Frame  
95 Amp  
Fits: Ford F0PU-10346-NC,  
F0VF-10300-AA, F0VU-10300-AA,  
F0VU-10300-AB, F0VU-10300-AC,  
F0VY-10346-A, F0VY-10346-B,  
F1HT-10300-AA, F1HT-10300-AB,  
F1HT-10300-AC, F1SU-10300-BA,  
F29U-10300-AB, F2HZ-10346-B,  
FPU-10346-FC, F2UU-10300-CD,  
F2UU-10346-CD, F3HT-10300-GB,  
F69U-10300-AA, F6PZ-10346-KA,  
F6PZ-10346-PA, F6UU-10300-BA  
Lester: 7749, 7758  
▲ Mounting Ear Threaded M8 x 1.25  
▲ Mounting Radius 3.5" (89mm)  
▲ Accepts A-303-2S Bearing



C-4906  
DE Frame  
For: Ford 3G Series, Large-Frame  
130 Amp  
Fits: Ford F3AU-10300-AC,  
F3AU-10300-BA, F3AU-10300-CA,  
F3AU-10346-AC, F3AZ-10346-A,  
F3PU-10346-AC, F5AU-10300-AA,  
F6AU-10300-AA, F6PZ-10346-B,  
F6ZU-10300-AA, F6ZU-10300-AB  
Lester: 7764, 7776, 7784  
▲ Mounting Ears M9 Bore - Not  
Threaded  
▲ Accepts A-303-2S Bearing



C-4907  
DE Frame  
For: Ford 3G Series, Large-Frame  
130 Amp  
Fits: Ford F2PU-10346-AF,  
F2TU-10300-AF, F2TU-10346-AE,  
F37U-10300-AA, F3UU-10300-AE,  
F3UU-10300-AF, F3UZ-10346-A,  
F5UU-10300-AA, F5UU-10300-BA  
Lester: 7768  
▲ Accepts A-303-2S Bearing

Additional Frames may be found in  
companion catalog "Ace Alternator  
Parts Buyers Guide - Book #1"

# Ford



C-4920  
DE Frame  
For: Ford 3G Series, Large-Frame  
130 Amp  
Fits: Ford F3HT-10300-LA, F3HZ-10346-B,  
F3PU-10346-BA; GL-325  
Lester: 7778  
▲ Mounting Ear Threaded M8 x 1.25  
▲ Mounting Radius 3.5" (89mm)  
▲ Accepts A-303-2S Bearing



C-4922  
DE Frame  
For: Ford 3G Series, Large-Frame  
130 Amp  
Replaces: Ford F3DU-10A351-B  
Fits: Ford F3DU-10300-BB,  
F3DZ-10346-B, F3PU-10346-CA,  
F4DU-10300-BA, F4DU-10300-DA,  
F4PU-10346-BA, F4PU-10346-DA,  
F4PZ-10346-B, F4PZ-10346-D,  
F4SU-10300-AB, F4ZU-10300-DA  
Used On: Ford, Lincoln, Mercury  
Lester: 7765, 7770, 7771  
▲ Mounting Ear M10 Bore - Not  
Threaded  
▲ Mounting Radius 3.5" (89mm)  
▲ Accepts A-303-2S Bearing



C-4923  
DE Frame  
For: Ford 3G Series, Large-Frame  
130 Amp  
Fits: Ford F5PU-10346-BA,  
F5RU-10346-BA, F5RU-10346-BC,  
F5RZ-10346-B  
Lester: 7775  
▲ Accepts A-303-2S Bearing



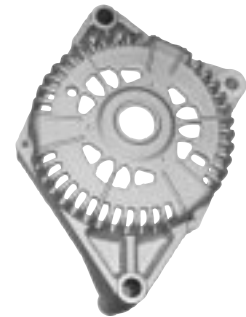
C-4924  
DE Frame  
For: Ford 3G Series, Large-Frame  
130 Amp  
Fits: Ford 94BB-10300-AE,  
94BB-10300-AF, F4DU-10300-AA,  
F4OU-10300-CA, F4PU-10300-AA,  
F4PU-10346-AA, F4PU-10346-CA,  
F4PZ-10346-C, F5RZ-10346-A  
Lester: 7769, 7774  
▲ Accepts A-303-2S Bearing



C-4908  
DE Frame  
For: Ford 4G  
Fits: Ford F77U-10300-AB,  
F77Z-10346-AB  
Lester: 7786, 7787  
▲ Accepts A-303-2S Bearing



C-4909  
DE Frame  
For: Ford 4G  
Replaces: Ford F5OU-10A351-EB  
Fits: Ford F5AU-10300-AA,  
F5OU-10300-FA, F6AU-10300-AA,  
F6LU-10300-CA, F6PU-10346-BA,  
F6ZU-10300-AB, -BC  
Lester: 7773, 7781  
▲ Accepts A-303-2S Bearing



C-4910  
DE Frame  
For: Ford 4G  
Replaces: Ford F6DU-10A351CA  
Fits: Ford F6DU-10300-BB, -BC, -BD;  
F6DZ-10346B; GL-355  
Lester: 7780  
▲ Accepts A-303-2S Bearing



C-4931  
DE Frame  
For: Ford 6G  
Fits: Ford XF2U-10300-AB,  
XF2Z-10346-AA; Motorcraft GL-425,  
GL-425-RM  
▲ Mounting Ear M10 Bore - Not  
Threaded  
▲ Accepts A-303-2S Bearing

Additional Frames may be found in  
companion catalog "Ace Alternator  
Parts Buyers Guide - Book #1"

Ford



C-4932  
DE Frame  
For: Ford 6G 105 Amp  
Fits: Ford 98BB-10300-CC,  
F8RZ-10346-CC; Motorcraft GL-431,  
GL-431-RM  
▲ Mounting Ear M8 Bore - Not  
Threaded  
▲ Accepts A-303-2S Bearing



C-4933  
DE Frame  
For: Ford 6G 105 Amp  
Fits: Ford F81U-10300-CC, -EB, -GA;  
F81Z-10346-CA, -EA, -GA; Motorcraft  
GL-410, GL-412, GL-422  
▲ Accepts A-303-2S Bearing



C-4934  
DE Frame  
For: Ford 6G 135 Amp  
Fits: Ford F8AU-10300-AB,  
F8AU-10300-AC, F8AZ-10346-AB  
▲ Accepts A-303-2S Bearing



C-4935  
DE Frame  
For: Ford 6G  
Fits: Ford F81U-10300-DB,  
F81U-10300-DC, F81Z-10346-DA;  
Motorcraft GL-411  
▲ Accepts A-8333-2S Bearing

Lucas



C-3741  
DE Frame  
Replaces: Lucas 54200542  
For: Lucas 15AC, 16AC, 15ACR,  
16ACR, 17ACR, 18ACR

Nippondenso



C-3793  
DE Frame  
For: Nippondenso 90 Amp ER/IF  
Used on: Chrysler, Dodge, Eagle,  
Jeep, Plymouth  
Fits: Nippondenso 121000-337, -38, -  
339, -340, -341, -343, -345, -347, -348  
Lester: 13245, 13306, 13307, 13312,  
13341, 13354, 13443

Chrysler



C-3098-U  
SRE Frame  
For: Chrysler Round Back  
Replaces: 2095339, 2098646  
Lester: 7000, 7006, 7015, 7019



C-4019  
SRE Frame  
For: Chrysler Corporate 40/90 Amp,  
50/120 Amp  
Replaces: Chrysler 4433157, 4433158  
Lester: 7002, 7552, 7557  
▲ Tapped for M4-0.7 Brush Holder  
Mounting Screws  
▲ Accepts A-203-2S Bearing and  
S-3814 Steel Tolerance Ring



C-4042  
SRE Frame  
For: Chrysler Square Back  
Replaces: 3438711, 3874270, 3874272,  
3874273  
Lester: 7022, 7024, 7503, 7505

Additional Frames may be found in  
companion catalog "Ace Alternator  
Parts Buyers Guide - Book #1"

# Chrysler



C-4088-A  
SRE Frame  
For: Chrysler Revised Square Back  
Replaces: 4091403, 5213706  
Lester: 7509, 7532M, 7533M, 7537, 7546, 7547, 7548, 7549



C-3430  
SRE Frame  
For: Delco CS121  
Replaces: Delco 10469984  
Fits: Delco 10479815, 10480067  
Used On: Chevrolet, Pontiac  
Lester: 8111, 8179  
▲ Accepts A-6000-2S Bearing and S-1675 Plastic Tolerance Ring



C-3408  
SRE Frame  
For: Delco CS130  
Replaces: Delco 10471332, 10474269, 10498837  
Fits: Delco 1101266, 267, 638; 1102644; 10479969, 9976; 10480157  
Lester 7939, 7972, 7973, 8114  
▲ Accepts A-6000-2S or A-7000-2S Bearing and S-1675 or S-1685 Plastic Tolerance Ring

# Delco



C-3410  
SRE Frame  
For: Delco CS121  
Replaces: Delco 10496053  
Fits: Delco 1101168, 171, 172, 175, 176, 291, 319, 320, 321, 483, 565; 1102614, 615; 1105697  
Lester: 7818, 7819, 7873, 7923, 7926, 7937, 7938, 7951, 7970  
▲ Accepts A-6000-2S Bearing and S-1696 Steel Tolerance Ring



C-3431  
SRE Frame  
For: Delco CS121  
Replaces: Delco 10498011  
Fits: Delco 1101531, 1101563, 1101564, 1101816  
Used On: Pontiac LeMans  
Lester: 7929, 7943, 7954  
▲ Accepts A-6000-2S Bearing and S-1696 Steel Tolerance Ring



C-3418  
SRE Frame  
For: Delco CS130 on Saturn  
Replaces: Delco 10477626  
Fits: Delco 21021447, 2772, 3702  
Lester: 8107  
▲ Accepts A-6000-2S or A-7000-2S Bearing and S-1675 or S-1685 Plastic Tolerance Ring



C-3429  
SRE Frame  
For: Delco CS121  
Replaces: Delco 10476126  
Fits: Delco 10480095, 10480096  
Used On: Geo, Toyota  
Lester: 13483



C-3401-M  
SRE Frame  
For: Delco CS130  
Replaces: Delco 1989656, 10469357, 10474266  
Lester: 7802, 03, 04, 07, 08, 10, 20, 21, 23, 58, 59, 60, 61, 66, 68, 70, 72, 78, 79, 80, 81, 83, 85, 86, 88, 89, 92, 94, 97; 7902, 05, 06, 09, 10, 12, 14, 17, 21, 24, 25, 33, 35, 39, 57, 61, 62, 64, 67, 77, 80, 81, 89, 97, 98; 8115, 18, 37, 39, 40, 64, 65, 66, 67, 69, 77, 78, 81, 86, 89  
▲ Accepts A-6000-2S or A-7000-2S Bearing and S-1685 Plastic Tolerance Ring



C-3427  
SRE Frame  
For: Delco CS130  
Replaces: Delco 10474091  
Fits: Delco 10463341, 3400; 10479998, 10480105  
Lester: 8130  
▲ Accepts A-6000-2S or A-7000-2S Bearing and S-1675 or S-1685 Plastic Tolerance Ring

Additional Frames may be found in companion catalog "Ace Alternator Parts Buyers Guide - Book #1"



Delco



C-3428  
SRE Frame  
For: Delco CS130  
Replaces: Delco 10475912  
Fits: Delco 10480025, 0172, 0181  
Lester: 8171, 8198, 8202  
▲ Accepts A-6000-2S or A-7000-2S Bearing and S-1675 or S-1685 Plastic Tolerance Ring



C-6010  
SRE Frame  
For: Delco CS130D  
Replaces: Delco 10475766  
Fits: Delco 10479981, 9984; 10480017, 0043, 0072, 0187, 0188, 0190  
Lester: 8157, 8158, 8159, 8160, 8162, 8190, 8199, 8208  
▲ Accepts A-202-2S Bearing



C-6011  
SRE Frame  
For: Delco CS130D  
Replaces: Delco 10476384  
Fits: Delco 10480052, 0071, 0119, 0195, 0196  
Lester: 8155, 8156, 8161, 8182, 8186  
▲ Accepts A-202-2S Bearing



C-6016  
For: Delco CS130D  
Replaces: Delco 10489053  
Fits: 10480299, 0184, 0317, 0079, 0207  
Lester: 8197, 8228, 8229  
▲ Accepts A-202-2S Bearing



C-6017  
SRE Frame  
For: Delco CS130D  
Replaces: Delco 10488600, 10492080  
Fits: Delco 10480167, 0168, 0170, 0198  
Lester: 8205, 8206, 8210, 8216  
▲ Accepts A-202-2S Bearing



C-6018  
SRE Frame  
For: Delco CS130D  
Replaces: Delco 10477837  
Fits: Delco 10480182  
Lester: 8200  
▲ Accepts A-202-2S Bearing



C-5100  
SRE Frame  
For: Delco CS144  
Replaces: Delco 1989706, 10468851  
Fits: Delco 1101133, 182, 183, 212, 213, 214, 238, 239, 250, 263, 270, 274, 294, 295, 296, 316, 325, 326, 329, 330, 331, 349, 454, 482, 486, 487, 491, 493, 518, 561, 566, 567, 573, 574, 591, 597, 604, 623, 648, 805, 849; 1102634, 635, 637, 639, 641, 642, 643; 1105615, 616, 625, 626, 657, 684, 685; 10479809, 9836, 9838, 9839, 9843, 9847, 9853, 9854, 9855, 9884, 9904, 9907, 9959  
Lester: 7805, 06, 11, 12, 13, 14, 62, 63, 64; 7901, 11, 18, 41, 50, 55, 86, 90; 8101, 19, 22, 42, 45, 46, 47, 48, 49  
▲ Two Bracket Holes, Threaded M8-1.25, M10-1.50  
▲ Accepts A-6000-XX Ball Bearing



C-5122  
For: Delco CS144  
Replaces: Delco 10471049, 10474212  
Fits: Delco 1102625; 10479966; 10480009, 0010, 0012, 0034, 0116  
Lester: 7984, 7966, 8104, 8105, 8132, 8134, 8136, 8144  
▲ Bracket Hole Threaded M10-1.50  
▲ Accepts Terminal Block (S-2501) for applications w/Heated Windshield

Additional Frames may be found in companion catalog "Ace Alternator Parts Buyers Guide - Book #1"



C-5123  
SRE Frame  
For: Delco CS144  
Replaces: Delco 10474203, 10474366, 10476416  
Fits: Delco 1101818, 819; 10479891; 10480008, 0011, 0018, 0022, 0023, 0024, 0026, 0033, 0048, 0130, 0201  
Lester: 7678, 7985, 8112, 8113, 8127, 8131, 8133, 8135, 8163, 8175, 8176, 8183, 8201, 8203  
▲ Bracket Holes Threaded M10-1.50



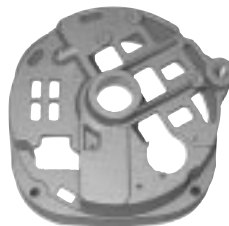
C-5126  
SRE Frame  
For: Delco CS144  
Replaces: Delco 10476416, 10476905, 10478014  
Fits: Delco 10463523; 10480111, 0120, 0133, 0135, 0138, 0139, 0156, 0171, 0186, 0192, 0200, 0202, 0203, 0206  
Lester: 8172, 8173, 8174, 8191, 8192, 8193, 8195, 8196, 8207, 8209, 8211, 8218, 8219  
▲ Bracket Holes Threaded M10-1.50



C-5129  
SRE Frame  
For: Delco CS144  
Replaces: Delco 10467412  
Fits: Delco 1101331, 1101490, 1101519, 10479844  
Lester: 7905, 7915, 7942; 8121  
▲ Bracket Hole Threaded M10-1.50



C-5130  
SRE Frame  
For: Delco CS144  
Replaces: Delco 10489795  
Fits: Delco 10480077, 10480211  
Lester: 8204  
▲ Bracket Hole Threaded M10-1.50



C-5131  
SRE Frame  
For: Delco CS144  
Replaces: Delco 10482966, 10489379  
Fits: Delco 10480204, 10480205, 10480227, 10480278, 10480279  
Lester: 8194, 8213  
▲ Bracket Hole Threaded M8-1.25



C-3240  
SRE Frame  
For: Delco 15SI Type 116  
Replaces: Delco 1979719  
Fits: Delco 1101194, 205, 439, 440; 1102551; 1105418, 536, 538, 539, 540, 560, 579, 609; 10479924, 925, 926, 927, 929, 930  
Lester: 7853  
▲ Accepts A-2421 and A-2438 Needle Bearing



C-3247  
SRE Frame  
For: Delco 17SI, 108 Amp, with Regulator Sense Terminal  
Replaces: Delco 1987711  
Fits: Delco 1100278, 1105491, 10479858  
Used On: Cadillac  
Lester: 7291  
▲ Accepts A-2430 Needle Bearing



C-3278  
SRE Frame  
For: Delco 17SI, 120 Amp, with Regulator Sense Terminal  
Replaces: Delco 1988991, D3336  
Fits: Delco 1101215, 252, 258, 290, 1105585, 643, 658, 680, 683, 690; 10479864, 9868, 9915  
Lester: 7287, 7288  
▲ Designed for Gull Wing Rectifiers  
▲ Accepts A-2430 Needle Bearing

Additional Frames may be found in companion catalog "Ace Alternator Parts Buyers Guide - Book #1"

*Delco*



C-3451  
SRE Frame  
For: Delco 21SI  
Replaces: Delco 10467269  
Fits: Delco 1117880-thru-960, 962, 964, 965, 966; 10459013, 017, 023, 026, 027, 028, 035-thru-056, 082  
▲ Accepts A-2421 Needle Bearing



C-3453  
SRE Frame  
For: Delco 21SI  
Replaces: Delco 10475434, 10477780  
Fits: Delco 19010100, 103, 108, 111, 114, 115, 118, 120, 124-thru-127, 129, 134, 136, 137, 138, 141, 145, 147, 153-thru-163, 165, 166, 168, 171, 173, 174, 176, 178, 181, 182, 183, 184  
▲ Late Style, with Extended Bearing Boss  
▲ Accepts A-2431 Needle Bearing



C-6510  
SRE Frame  
For: Delco 22SI  
Replaces: Delco 10492747  
Fits: Delco 19020300, 19020302, 19020303  
▲ Accepts A-2431 Needle Bearing



C-3251-T  
Rectifier End Frame  
For: Delco 25SI  
Replaces: Delco 1892959, 1892960, 1945848, 1971653  
Fits: Delco 1117241, 1117242, 1117248, 1117249, others  
▲ Same as standard C-3251 except with pre-threaded component mounting holes



C-3333  
Rectifier End Frame  
For: Delco 33SI  
Replaces: Delco 10491175  
Fits: Delco 19011150, 151, 153-thru-156, 158-thru-163, 165, 171, 173, 174, 175, 178, 181; 10459141, 142, 143, 144, 180-thru-183, 194, 195, 196  
▲ Accepts A-2435-R Needle Bearing



C-3334  
Rectifier End Frame  
For: Delco 34SI  
Replaces: Delco 10491342  
Fits: Delco 19011157, 19011167, 10459184  
▲ Accepts A-2435-R Needle Bearing

*Ford*



C-3241  
SRE Frame  
For: Ford 2G IC/IAR, 40-75 Amp  
Replaces: Ford E43Z-10334-A, E6FZ-10334-A, E7ZZ-10334-A, GH-368, GH-369, GH-377  
Lester: 7084, 7088, 7716, 7731, 7735, 7738, 7746  
▲ Accepts A-2430 Needle Bearing



C-3246  
SRE Frame  
For: Ford 'Blue Back'  
Replaces: Ford E2HZ-10334-A, GH-364  
Lester: 7711, 7712  
▲ Accepts A-2430 Needle Bearing



C-4950  
SRE Frame  
For: Ford 3G Series, Small Frame / 95 Amp  
Fits: Ford F0CF-10300-AA, F0CU-10300-AA, F0CU-10300-AB, -AC, -AD, F0CU-10346-AC, F0CZ-10346-A, -C, F0PU-10346-DD, F12U-10300-CA, F23U-10300-DA, F23U-10346-AD, F23Z-10346-A, F2PU-10346-ED, F23CU-10300-AD  
Lester: 7751, 7760  
▲ Bracket Hole Threaded M8 x 1.25  
▲ Accepts A-6000-XX Ball Bearing

Additional Frames may be found in companion catalog "Ace Alternator Parts Buyers Guide - Book #1"

# Ford



C-4951  
SRE Frame  
For: Ford 3G Series, Small-Frame / 95 Amp  
Fits: Ford F0DZ-10346-A, F0DZ-10346-D, F13Z-10346-A, F13SZ-10346-A, F0VY-10346-A, F0VY-10346-B  
Lester: 7749, 7750, 7754, 7755, 7757, 7758, 7759, 7762  
▲ Bracket Hole Threaded M8 x 1.25  
▲ Accepts A-6000-XX Ball Bearing



C-4954  
SRE Frame  
For: Ford 3G Series, Small-Frame / 95 Amp  
Fits: Ford F1PU-10346-AC, F1VU-10300-BB, -BC, F1VU-10346-AD, F1VY-10346-A, -B, F3VU-10300-AA  
Lester: 7753  
▲ Two Bracket Holes, Threaded M6 x 1.0, M8 x 1.25  
▲ Accepts A-6000-XX Ball Bearing



C-4956  
SRE Frame  
For: Ford 3G Series, Large Frame / 130 Amp  
Replaces: Ford F4RU-10A349A  
Fits: Ford F4DU-10300-AA, F4OU-10300-CA, F4PU-10346-CA, F4PZ-10346-C  
Lester: 7769  
▲ Bracket Hole Threaded M8 x 1.25  
▲ Mounting Foot Threaded M10-1.50  
▲ Accepts A-6000-XX Ball Bearing



C-4952  
SRE Frame  
For: Ford 3G Series, Large Frame / 130 Amp  
Fits: Ford F0DF-10300-BA, -BB, F0DU-10300-BC, F0DZ-10346-B, -C, -E, F0PU-10346-AD, F1DU-10300-AD, -AE, F1DU-10346-AE, F1DZ-10346-A, -B, F1PU-10346-BE, F2PU-10346-AF, -DE, F2TU-10300-AF, F2TU-10346-AE, F2UU-10300-BE, -DC, -FA, F2UU-10346-BE, F2UZ-10346-B, F37U-10300-AA, F3HT-10300-LA, F3HZ-10346-B, F3PU-10346-BA, F3UU-10300-AE, -AF, F3UZ-10346-A, F4DU-10300-CA, F4PU-10346-BA, F4PZ-10346-B, F4SU-10300-AB, F4ZU-10300-DA, F58U-10300-AA, -AB, F58Z-10346-A, F5UU-10300-AA, -BA  
Lester: 7752, 7756, 7761, 7768, 7771, 7777  
▲ Bracket Hole Threaded M8 x 1.25  
▲ Accepts A-6000-XX Ball Bearing



C-4955  
SRE Frame  
For: Ford 3G Series, Large Frame / 130 Amp  
Fits: Ford F3AU-10300-AC, -BA, -CA, F3AU-10346-AC, F3AZ-10346-A, F3DU-10300-BB, F3DZ-10346-B, F3PU-10346-AC, -CA, F4DU-10300-BA, -DA, F4PU-10346-DA, F4PZ-10346-D, F5AU-10300-AA, F5PU-10346-BA, F5RU-10346-BC, F5RZ-10346-B, F6AU-10300-AA, F6PZ-10346-B, F6ZU-10300-AA, -AB  
Lester: 7764, 7765, 7770, 7775, 7776, 7784  
▲ Two Bracket Holes, Threaded M6 x 1.0, M8 x 1.25  
▲ Accepts A-6000-XX Ball Bearing



C-4957  
SRE Frame  
For: Ford 3G Series, Large Frame / 130 Amp  
Replaces: Ford F4RU-10A349-A  
Fits: Ford 94BB-10300-AE, -AF, F4PU-10300-AA, F4PU-10346-AA, F5RZ-10346-A  
Used On: Ford Contour, Mercury Mystique  
Lester: 7774  
▲ Bracket Hole Threaded M8 x 1.25  
▲ Mounting Foot M10 Bore - Not Threaded  
▲ Accepts A-6000-XX Ball Bearing

Additional Frames may be found in companion catalog "Ace Alternator Parts Buyers Guide - Book #1"

Ford



C-4960  
SRE Frame  
For: Ford 4G Series  
Fits: Ford F5OU-10300-FA, -FB, F5OY-10346-A, F68U-10300-AD, F68Z-10346-AD, F6DU-10300-BB, -BC, -BD, -DB, F6DZ-10346-D, F6LU-10300-CA, F6LY-10346-A, F6OU-10300-AA, F6OY-10346-AA, F6ZU-10300-BB, -BC, F6ZZ-10346-B, F77U-10300-AB, -AC, F77Z-10346-AB, F78U-10300-AA, F78Z-10346-AA, F8OU-10300-CA, F8OZ-10346-CA  
Lester: 7773, 7780, 7781, 7786, 7787  
▲ Fully Machined SRE-Rectifier Frame (only)  
▲ Complete SRE-Rectifier Frame Assembly available as Transpo FR300  
▲ Accepts A-203-2ST Ball Bearing



C-4967  
SRE Frame  
For: Ford 6G Series  
Fits: Ford 99BB-10300-CC, F8RZ-10346-CC; Motorcraft GL-431  
▲ Mounting Ear M8 Bore - Not Threaded  
▲ Accepts S-6006-2S Ball Bearing and S-6827 Tolerance Ring



C-4968  
SRE Frame  
For: Ford 6G Series  
Fits: Ford F81U-10300-CC, -DB, -DC, -EB, -GA; XF2U-10300-AB; F81Z-10346-CA, -DA, -EA, -GA; XF2Z-10346-AA; Motorcraft GL-410, GL-411, GL-412, GL-422, GL-425  
▲ Accepts S-6006-2S Ball Bearing and S-6827 Tolerance Ring



C-4969  
SRE Frame  
For: Ford 6G Series  
Fits: Ford F8AU-10300-AB, -AC; F8AZ-10346-AB; Motorcraft GL-407  
Lester: 7795  
▲ Accepts S-6006-2S Ball Bearing and S-6827 Tolerance Ring



C-4820  
SRE Frame  
For: Ford 3G Series, Small Frame / 95 Amp  
▲ Fully Machined Rectifier Frame  
▲ Complete Rectifier Assembly available as Transpo FR201



C-4821  
SRE Frame  
For: Ford 3G Series, Large Frame / 130 Amp  
▲ Fully Machined Rectifier Frame  
▲ Complete Rectifier Assembly available as Transpo FR202

Hitachi



C-3708  
SRE Frame  
For: Hitachi  
Replaces: Nissan (Datsun) 23127-P0101, 23127-P0102  
Fits: Hitachi LT150-05, LT150-05B, LT150-10; Nissan (Datsun) 23100-P0101, 23100-P0102, 23100-P0103

Additional Frames may be found in companion catalog "Ace Alternator Parts Buyers Guide - Book #1"

# Nippondenso



C-3794

SRE Frame

For: Nippondenso 90 Amp ER/IF

Replaces: Nippondenso 021501-6680

Fits: Nippondenso 121000-337, -338,

-339, -340, -341, -343, -344, -345, -347;

Chrysler 4557301, 5234026; Jeep

56005684

Lester: 13245, 13246, 13306, 13307,


























13312, 13341, 13354

▲ Includes Gasket, Studs, Bearing Retainer, Brg Retainer Screw & Mounting Bushing

▲ Accepts A-5202-2S Bearing

Additional Frames may be found in companion catalog "Ace Alternator Parts Buyers Guide - Book #1"

# Conversion Chart for CS130 DE Frame

A-203-2S Version Use w/ S-1697 spacer (3mm)	A-303-2S Version Use w/ S-6215 spacer (1mm)	A-203-2S Version Use w/ S-1697 spacer (3mm)	A-303-2S Version Use w/ S-6215 spacer (1mm)	A-203-2S Version Use w/ S-1697 spacer (3mm)	A-303-2S Version Use w/ S-6215 spacer (1mm)
C-3402 	C-3478* 	C-3405 	C-3467* 		C-3463* 
C-3403 	C-3469* 	C-3405LT 			C-3464* 
C-3403LT 	C-3469LT* 	C-3406 	C-3468* 		C-3465* 
C-3404 	C-3477* 	C-3406LT 	C-3468LT* 		C-3471* 
C-3404LT 		C-3409 	C-3472* 		
		C-3433 	C-3470* 		

**\*For Housing With A-303-2S Bearing  
Installed Add WB To Part Number  
(Example: C-3478WB)**

*Bosch*



S-5682  
Terminal Insulator  
For: Bosch  
Fits: Bosch 0-123-214-002  
Lester: 13256  
▲ Accepts M8 B+ Post and M6 D+ Post



S-5683  
Terminal Insulator  
For: Bosch  
Replaces: Bosch 1-127-011-091  
Fits: Bosch 0-120-468-004, 005, 006  
Lester: 14956  
▲ Accepts M8 B+ Post and M5 D+ Post



S-5685  
Insulator Bushing  
For: Bosch  
Fits: Bosch 0-120-400-771; 0-120-489-606, 609, 646, 648, 905  
Lester: 13071, 13101, 13102, 13111, 13113, 14395  
▲ Short Insulator  
▲ Accepts M6 Rectifier Terminal



S-5686  
Terminal Insulator  
For: Bosch  
Fits: Bosch 0-120-468-007, 008, 012, 013, 014, 050, 051, 073, 074, 096, 098  
Lester: 13216, 13268, 13362, 13365  
▲ Accepts M8 B+ Post and M6 D+ Post



S-5687  
Terminal Insulator  
For: Bosch  
Fits: Bosch 0-120-468-030, 031, 032, 033  
Lester: 13269, 13270  
▲ Accepts M8 B+ Post and M6 D+ Post



S-5688  
Terminal Insulator  
For: Bosch  
Fits: Bosch 0-120-489-362, 364, 369, 370  
Lester: 14970  
▲ Accepts M6 B+ Post and M5 D+ Post



S-5689  
Battery Terminal Insulator  
For: Bosch  
Fits: Bosch 0-120-450-011, 013, 016, 017, 021  
For: Chrysler Imports  
Lester: 14789  
▲ Accepts M8 B+ Post



S-5696  
Battery Terminal Insulator  
For: Bosch  
Fits: Bosch 0-120-489-687  
Lester: 13129, 13149  
▲ Accepts M6 B+ Post

*Chrysler*



S-2420  
B+ / Capacitor Post Insulator  
For: Chrysler Round Back

ID ----- .250

Additional Insulators may be found in companion catalog "Ace Alternator Parts Buyers Guide - Book #1"



# Chrysler



S-2421  
Mica Heat Sink Insulator  
For: Chrysler Round Back  
ID .....250



S-2424  
Fiber Horse Shoe Heat Sink Insulator  
For: Chrysler Round Back  
Replaces: Chrysler 2095925



S-2428  
Brush Screw Insulator  
For: Chrysler Round Back, Square Back  
Replaces: Chrysler 2095046  
ID .....250



S-2538  
Capacitor Insulator  
For: Chrysler Square Back  
Replaces: Chrysler 3438718  
ID-----No. 10



S-2542  
Battery Terminal Insulator  
For: Chrysler Square Back  
Replaces: Chrysler 3438715  
ID .....250



S-2544  
Mica Terminal Post Insulator  
For: Chrysler Square Back  
Replaces: Chrysler 3438716  
ID-----No. 10



S-2546  
Rectifier Terminal Block  
For: Chrysler Square Back  
Replaces: Chrysler 3438726



S-3429  
Insulator Bushing  
For: Chrysler 100 Amp  
Replaces: Chrysler 3755622  
ID-----No. 10



S-3432  
Capacitor Insulator  
For: Chrysler 100 Amp  
Replaces: Chrysler 3755623  
▲ With Countersink Feature  
ID-----No. 10

Additional Insulators may be found in companion catalog "Ace Alternator Parts Buyers Guide - Book #1"

## Chrysler



ID .....250  
 S-3440  
 Battery Terminal Insulator  
 For: Chrysler Square Back, Corporate  
 100 Amp  
 Replaces: Chrysler 3874287



S-3829  
 Rectifier Terminal Block  
 For: Chrysler Corporate 40/90, 50/120  
 Replaces: Chrysler 4433144



S-3922  
 Stator Lead Insulator  
 For: Chrysler Corporate 40/90, 50/120  
 Replaces: Chrysler 5226148

## Delco



ID .....250  
 OD .....750  
 T .....093  
 S-636  
 Multi-Purpose Insulating Washer  
 Replaces: Delco 1902746; Motorola  
 15-10



S-1195  
 Stator Lead Grommet  
 For: Delco 30SI  
 Replaces: Delco 1876805



ID .....198  
 S-1306  
 Relay & Indicator Terminal Insulator  
 For: Delco 21SI, 22SI



ID .....No. 8  
 S-1319  
 Insulator Bushing  
 For: Delco 10DN, 25SI, 33SI, 34SI



S-1345  
 Battery Terminal Insulator  
 For: Delco 21SI, 22SI  
 Replaces: Delco 10469137  
 ▲ Shield Type



ID .....230  
 S-1366  
 Battery Terminal Insulator  
 For: Delco 10SI, 12SI, 15SI, 17SI, 21SI,  
 22SI, 27SI, CS144  
 Replaces: Delco 801826, 1946900

Additional Insulators may be found in  
 companion catalog "Ace Alternator  
 Parts Buyers Guide - Book #1"

Delco



ID .....245

S-1692  
Battery Terminal Insulator  
For: Delco CS121, CS130  
Replaces: Delco 1989652, 10498108



ID .....250  
OD .....500  
T .....100

S-2206  
Relay Terminal Insulator  
For: Delco  
▲ Square Fiber Washer  
▲ Internal Insulator



ID.....No. 10  
L.....470

S-3303  
Regulator Screw Insulator  
For: Delco



ID.....No. 8  
L.....700

S-1712  
Capacitor Screw Insulator  
For: Delco CS144



ID.....No. 10

S-2237  
Relay Terminal Insulator  
For: Delco



ID .....295

S-3315  
Battery Terminal Insulator  
For: Early Delco  
Replaces: Delco 1951776

CS144  
New Item  
In Process



S-2427  
Battery Terminal Insulator  
For: Delco CS144 124-145 Amp  
Replaces: Delco 10470416



ID .....210

S-3323  
Relay Terminal Insulator  
For: Early Delco

Additional Insulators may be found in companion catalog "Ace Alternator Parts Buyers Guide - Book #1"

Delco



S-3381  
Battery Terminal Insulator  
For: Delco 20SI, 29SI, 33SI, 34SI  
Replaces: Delco 1894455



S-5502  
Stator Lead Grommet  
For: Delco 25SI, 26SI  
Replaces: Delco 1968900



S-5503  
Stator Lead Insulator  
For: Delco 25SI  
Replaces: Delco 1968901



S-6007  
Stator Lead Insulator  
For: Delco CS130D  
Replaces: Delco 10475745



S-6213  
Regulator Screw Insulator  
For: Delco CS130D

Ford



S-940  
Heat Sink Insulator  
For: Ford 3G Rectifier Assembly  
▲ Multi-Purpose Insulator, also used in Generators, Starters

ID .....130



S-1227  
Battery Terminal Insulator  
For: Ford  
Replaces: Ford C5AZ-10A383-A,  
E2HZ-10A383-A  
▲ Internal Insulator

ID .....250



S-1228  
Battery Terminal Insulator  
For: Ford  
▲ External Insulator

ID .....250



S-1231  
Stator Tap Terminal Insulator  
For: Ford  
Replaces: Ford C5AZ-10A383-B,  
C9SF-10B304-A  
▲ Internal Insulator

ID.....No. 10

Additional Insulators may be found in companion catalog "Ace Alternator Parts Buyers Guide - Book #1"

*Ford*



S-1232  
Stator Tap Terminal Insulator  
For: Ford  
Replaces: Ford C5AZ-10329-B

ID-----No. 10



S-1293  
Rectifier Insulator  
For: Ford  
Replaces: Ford D2OZ-10A383-A,  
D3VY-10A383-A

ID -----.250



S-1921  
Battery Terminal Insulator  
For: Ford 3G  
Replaces: Ford F1DZ-10329-A  
▲ Internal, Snap-In



S-1922  
Battery Terminal Insulator  
For: Ford 3G  
▲ External, held with Nut



S-1929  
Heat Sink Insulator  
For: Ford 3G Rectifier

**6G**  
**New Item**  
**In Process**

S-6835  
Battery Terminal Insulator  
For: Ford 6G  
Replaces: Ford F81U-10329-AA  
▲ Internal, Snap-In



S-9122  
Field Terminal Insulator  
For: Ford Truck Brush Holders  
▲ Component of Ace S-1007, S-1281,  
S-1378 BH Assembly

ID-----No. 10

*Hitachi*



S-3874  
Battery Terminal Insulator  
For: Hitachi IR/EF  
Lester: 14185, 231, 255, 300, 586, 587,  
615, 647, 652, 653, 659, 665, 721, 744,  
745, 751

ID -----M5

*Motorola*



S-1629  
Insulating Sleeve  
For: Motorola Rectifier  
For: Motorola 8AL Series  
Replaces: Motorola 15-26

ID -----.250  
L-----.500

Additional Insulators may be found in  
companion catalog "Ace Alternator  
Parts Buyers Guide - Book #1"



ID -----M6

S-4532  
Battery Terminal Insulator  
For: Nippondenso  
Fits: Nippondenso 100211-100, 104, 105; Toyota 27060-16010, 6320, 72010  
Lester: 13229, 240, 294; 14449, 457, 453, 458, 591, 611, 668, 671, 674, 678, 682, 683, 684, 733, 847, 857, 870, 937, 940, 974



ID -----M6

S-4539  
Battery Terminal Insulator  
For: Nippondenso  
Fits: Nippondenso 100211-133, 372  
Lester: 14732, 14872



ID -----M8

S-5031  
Rectifier-Battery Terminal Insulator  
For: Nippondenso  
Replaces: John Deere R67596;  
Nippondenso 021605-0610  
Fits: Nippondenso 021000-652, 656, 659, 788, 887; 100211-007, 008, 028, 029, 099, 257, 263, 298, 299  
Lester: 13169; 14269, 337, 341, 345, 347, 375, 461, 573, 574, 630, 672, 677, 761, 936  
▲ Internal Insulator



ID -----M6

S-4536  
Battery Terminal Insulator  
For: Nippondenso  
Fits: Nippondenso 121000-243, 338, 400, 401, 403, 404, 405, 407, 408, 409  
Lester: 13245, 280, 301, 302, 304, 308, 309, 311, 313; 14869



ID -----M6

S-4540  
Battery Terminal Insulator  
For: Nippondenso  
Lester: 13241, 277, 319, 322, 383, 392, 397, 398, 486, 499; 14449, 454, 455, 611, 671, 674, 678, 682, 683, 847, 935, 974



ID -----M5

S-5038  
Terminal Post Insulator  
For: Nippondenso  
Replaces: John Deere R67594;  
Nippondenso 021605-0710  
Fits: John Deere AR87204, AR87205, AR893447, AR93448; Nippondenso 021000-652, 656, 658, 787, 856, 909; 100211-004, 007, 008, 009, 010, 012, 013, 014, 024, 027, 028, 029, 034, 040, 043, 050, 056, 058, 059, 060, 070, 072, 078, 257, 263, 298, 299, 593; 121000-032  
Lester: 13143, 169; 14269, 275, 336, 337, 341, 345, 347, 461, 573, 574, 630, 672, 677, 761, 850, 936



ID -----M6

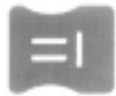
S-4537  
Battery Terminal Insulator  
For: Nippondenso  
Replaces: Nippondenso 021605-2290  
Fits: Nippondenso 12100-345; Jeep Eagle 56005685  
Lester: 13341  
▲ With Locating Pin



ID -----M6

S-4984  
Battery Terminal Insulator  
For: Nippondenso  
Replaces: Nippondenso 021605-0301; Honda 31117-611-004, 31119-611-004  
Fits: Nippondenso 021000-427, 471, 887, 902; 100211-035, 099, 257, 263, 298, 299; 121000-101, 135  
Lester: 13169; 14130, 131, 152, 153, 155, 163, 273, 275, 336, 337, 338, 339, 341, 342, 343, 345, 347, 385, 540, 573, 574, 630, 672, 677, 734, 850, 936

Additional Insulators may be found in companion catalog "Ace Alternator Parts Buyers Guide - Book #1"



S-5040  
Regulator Terminal Insulator  
For: Nippondenso  
Fits: Nippondenso 021000-247; Honda  
31100-634-0040, 0045; 31100-657-0040



ID -----M5  
OD-----22mm  
T-----.75mm

S-5043  
Insulating Washer  
For: Nippondenso  
Replaces: Toyota 90099-01014  
Fits: Nippondenso 021000-047, 133,  
134, 135, 186; Toyota 27020-21011,  
25010, 25012, 31041, 33010, 33011,  
33030, 40060, 60032, 60033



S-5636  
Field Terminal Block  
For: Nippondenso  
Fits: Nippondenso 121000-243, 266,  
268, 300, 310, 330, 331, 333, 334,  
336-thru-341, 343, 344, 345, 347, 400,  
401, 403-thru-410, 413  
Lester: 13184, 185, 220, 245, 256, 280,  
301, 302, 304, 305, 306, 307, 308, 309,  
310, 311, 312, 313, 341, 354, 453; 14869



S-7005  
Stator Lead Grommet  
For: Nippondenso ER/IF, IR/IR  
▲ Gray



S-7006  
Stator Lead Grommet  
For: Nippondenso ER/IF, IR/IR  
▲ Orange

Additional Insulators may be found in  
companion catalog "Ace Alternator  
Parts Buyers Guide - Book #1"

# Bosch



Bore-----17mm  
OD-----67mm  
Belt -----10mm V Belt

1287P  
Single Groove, with 5/32" Keyway  
Used On: Audi, Volkswagen  
Lester: 13055, 14402, 14411, 14788  
▲ Converts Bosch (13147) w/Short Shaft to replace Motorola (14405) w/Long Shaft



Bore-----17mm  
OD-----73mm  
Belt-----10mm V Belt

1189-P  
Single Groove, with 5/32" Keyway  
For: Bosch IR/EF  
Replaces: Bosch 1-126-600-348, 488  
Used On: Audi, Volkswagen  
Lester: 13054, 055, 094, 109, 129, 147; 14396, 778, 779, 788, 797, 798, 801, 806, 807, 970, 996, 997



Bore-----17mm  
OD-----69mm

1319P  
4 Groove Serpentine, with 5/32" Keyway  
Used On: Chrysler, Dodge, Dodge Truck, Plymouth  
Lester: 13191, 14765, 14789

# Chrysler



Bore-----.667  
OD -----2.87  
Belt-----3/8" V Belt

1173-P  
Single Groove, Press Fit  
For: Chrysler Revised Square Back Alternator  
Replaces: Chrysler 4205845, 5213051  
Lester: 7532, 7533, 14252, 14253



Bore-----.667  
OD -----3.00  
Belt-----3/8" V Belt

1137-P  
Single Groove, Press Fit  
For: Chrysler Square, Round & Revised Back Alternators  
Replaces: Chrysler 2095430, 2444478  
Lester: 7000, 7001, 7006, 7016, 7018, 7019, 7022, 7023, 7024, 7507, 7509, 7510, 7514, 7516, 7532



Bore-----.667  
OD -----2.68  
Belt-----3/8" V Belt

1216P  
Double Groove, Press Fit  
For: Chrysler Revised Square Back  
Replaces: Chrysler 4091895, 4111768  
Lester: 7532, 7533, 14252, 14253



Bore-----.667  
OD -----2.87  
Belt-----3/8" V Belt

1206-P  
Double Groove, Press Fit  
Replaces: Chrysler 3656571  
For: Chrysler Round & Square Back



Bore-----.667  
OD -----3.25  
Belt-----3/8" V Belt

1142-P  
Double Groove, Press Fit  
For: Chrysler Round & Square Back  
Replaces: Chrysler 2095059, 2875709



Bore-----.667  
OD -----3.25  
Belt-----3/8" V Belt

1153P  
Double Groove, Press Fit  
For: Chrysler Round Back & Square Back  
Replaces: Chrysler 2875711  
Lester: 7018, 7019, 7022, 7024, 7507  
▲ 5/16 Bearing to Hub Spacing

Additional Pulleys may be found in companion catalog "Ace Alternator Parts Buyers Guide - Book #1"



# Chrysler



Bore ..... .667  
 OD ..... 3.25  
 Belt ..... 1/2" V Belt

**1157-P**  
 Double Groove, Press Fit  
 For: Chrysler Round & Square Back  
 Alternator  
 Replaces: Chrysler 2098272  
 Used On: Dodge Trucks



Bore ..... .670  
 OD ..... 2.93  
 Belt ..... 3/8" V Belt

**1198P**  
 Double Groove  
 Replaces: Chrysler 5227174  
 For: Chrysler 40/90 & 50/120  
 Lester: 7552



Bore ..... .670  
 OD ..... 2.87

**1195P**  
 8 Groove Serpentine  
 For: Chrysler 50/120  
 Replaces: Chrysler 4428085



Bore ..... .667  
 OD ..... 2.65

**1176-P**  
 4 Groove Serpentine, Press Fit  
 For: Chrysler Revised Square Back  
 Replaces: Chrysler 5213564  
 Lester: 7532, 7533, 14252, 14253



Bore ..... .670  
 OD ..... 2.81

**1225P**  
 4 Groove Serpentine  
 Replaces: Chrysler 5226032  
 Fits: Chrysler 40/90 & 50/120  
 Lester: 7002



Bore ..... .670  
 OD ..... 2.60  
 Belt ..... 1/2" V Belt

**1291P**  
 Single Groove  
 Replaces: Delco 1961291



Bore ..... .667  
 OD ..... 3.00

**1215P**  
 4 Groove Serpentine, Press Fit  
 For: Chrysler Revised Square Back  
 Replaces: Chrysler 5213760  
 Lester: 7546, 7547



Bore ..... .670  
 OD ..... 2.87

**1197P**  
 5 Groove Serpentine  
 For: Chrysler 50/120  
 Replaces: Chrysler 5227468  
 Lester: 7552



Bore ..... .670  
 OD ..... 2.62  
 Belt ..... 3/8" V Belt

**1123-P**  
 Single Groove  
 For: Delco 10SI, 27SI Type 100 & CS130  
 Replaces: Delco 1978065, AMC  
 8132698, 8134194  
 Lester: 7820, 7821, 7824

Additional Pulleys may be found in  
 companion catalog "Ace Alternator  
 Parts Buyers Guide - Book #1"

# Delco



Bore .....670  
 OD .....2.68  
 Belt.....3/8" V Belt

1210P  
 Single Groove  
 For: Delco 10SI, 12SI, 15SI, 17SI & 27SI  
 Type 100 & CS130  
 Replaces: Delco 1978067  
 Lester: 7907, 7924  
 ▲ Use w/S-1654 Spacer



Bore .....670  
 OD .....3.18  
 Belt.....1/2" V Belt

1236P  
 Single Groove  
 For: Delco 10SI Type 110  
 Replaces: John Deere R52159  
 Used On: John Deere Tractors & Other  
 Agricultural Applications



Bore .....670  
 OD .....3.12  
 Belt.....5/8" V Belt

1232P  
 Single Groove  
 For: Prestolite ALH Alternators  
 Used On: Case Tractors



Bore .....670  
 OD .....4.25  
 Belt.....5/8" V Belt

1228P  
 Single Groove  
 For: Delco 10SI Type 116 & 15SI Type  
 116  
 Replaces: IHC 384645R1



Bore .....670  
 OD .....2.81  
 Belt.....1/2" V Belt

1237P  
 Double Groove  
 Replaces: Delco 1877007, GMC  
 3947125  
 For: Delco 10DN & 10SI  
 Lester: 7121, 7122, 7127, 7145



Bore .....670  
 OD .....4.37  
 Belt.....5/8" V Belt

1227P  
 Double Groove  
 For: Delco 10SI & 15SI Type 116  
 Replaces: IHC 537070R1  
 Used On: International Harvester  
 Applications



Bore .....670  
 OD .....2.43

1231P  
 4 Groove Serpentine  
 Replaces: Delco 10495514  
 For: Delco CS130  
 Lester: 7807, 7906



Bore .....670  
 OD .....2.00

1222P  
 4 Groove Serpentine  
 For: Delco CS130  
 Replaces: Delco 1987648  
 Lester: 7801, 7809, 7872, 7877, 7928



Bore .....670  
 OD .....2.62

1112P  
 4 Groove Serpentine  
 For: Delco 10SI, 12SI & CS130  
 Replaces: Delco 1984105  
 Lester: 7804, 7810, 7870, 7872, 7897,  
 7902,  
 7906, 7914

Additional Pulleys may be found in  
 companion catalog "Ace Alternator  
 Parts Buyers Guide - Book #1"

*Delco*



Bore .....670  
OD .....2.25

**1217P**  
4 Groove Serpentine  
For: Delco 12SI, 17SI & CS130  
Replaces: Delco 1989030  
Lester: 7271, 7272, 7273, 7274, 7277,  
7278, 7279, 7286, 7287, 7288, 7290,  
7291, 7292, 7293, 7294, 7800-10,  
7820-34



Bore .....670  
OD .....2.12

**1229P**  
5 Groove Serpentine  
For: Delco 12SI, CS121, CS130 & CS144  
Replaces: Delco 10495231  
Lester: 7134M, 7137M, 7191M, 7192M,  
7271-75, 7277-79, 86-88, 90-94,  
7800-10, 15-17, 19-34, 7839, 7841,  
55-61, 65-73, 77-96, 7901, 7902, 7906,  
7912, 7914



Bore .....670  
OD .....2.43

**1218P**  
5 Groove Serpentine  
For: Delco CS121 & CS130  
Replaces: Delco 10498446  
Lester: 7819, 7886



Bore .....670  
OD .....2.43

**1221P**  
5 Groove Serpentine  
For: Delco CS121 & CS130  
Replaces: Delco 10497100  
Lester: 7868, 7870, 7909, 7912



Bore .....670  
OD .....2.43

**1258P**  
5 Groove Serpentine  
For: Delco CS130  
Replaces: Delco 10499041  
Lester: 7928



Bore .....670  
OD .....2.68

**1357P**  
5 Groove Serpentine  
For: Delco CS130  
Replaces: Delco 10473389



Bore .....670  
OD .....2.24

**1362P**  
5 Groove Serpentine  
Replaces: Delco 10489052  
Fits: Delco 10463839, 10480076,  
10480078, 10480079  
Lester: 8197-7, 8199-2, 8208-2, 8228-7



Bore .....670  
OD .....2.13

**1354P**  
5 Groove Serpentine & Single V  
For: Delco CS121  
Replaces: Delco 10467039, 10497325



Bore .....670  
OD .....2.68

**1111P**  
6 Groove Serpentine  
For: CS130  
Replaces: Delco 1987376  
Lester: 7880, 7810, 7860, 7870, 7872,  
7879, 7885, 7886, 7887, 7888, 7897,  
7902, 7906, 7912, 7914

Additional Pulleys may be found in companion catalog "Ace Alternator Parts Buyers Guide - Book #1"

*Delco*



Bore ..... .670  
OD ..... 2.43

**1169-P**  
6 Groove Serpentine  
For: Delco 10SI, 17SI, CS130 & CS144  
Replaces: Delco 1979746, 1989104  
Lester: 7127M, 7128M, 7134M, 7802,  
7803, 7805, 7808, 7810,  
7812, 7814, 7877, 7884, 7885, 7911



Bore ..... .670  
OD ..... 2.06

**1219P**  
6 Groove Serpentine  
For: Delco CS130  
Replaces: Delco 10496580  
Lester: 7804, 7859, 7878, 7880, 7881,  
7887, 7910, 7913



Bore ..... .670  
OD ..... 2.03

**1351P**  
6 Groove Serpentine  
For: Delco CS130D  
Replaces: Delco 10476389



Bore ..... .670  
OD ..... 2.24

**1350P**  
6 Groove Serpentine  
For: Delco CS130D  
Replaces: Delco 10475747



Bore ..... .670  
OD ..... 2.63

**1352P**  
6 Groove Serpentine  
For: Delco CS130D  
Replaces: Delco 10476225



Bore ..... .670  
OD ..... 2.44  
Belt ..... .827

**1360P**  
6 Groove Serpentine  
For: Delco CS130D  
Replaces: Delco 10477425  
Fits: Delco 10480182, 10480240,  
10480262



Bore ..... .670  
OD ..... 2.25

**1251P**  
6 Groove Serpentine, w/Tapered Bore  
For: Delco CS144  
Replaces: Delco 10495541  
Lester: 7806, 7863, 7915, 7916  
▲ Tapered Sleeve available as S-1680



Bore ..... .670  
OD ..... 2.25

**1251PLT**  
6 Groove Serpentine  
For: Delco 17SI & CS144  
Replaces: Delco 10495541  
▲ Aftermarket Straight Bore Design,  
Replaces Original Tapered Bore Pulley  
Requiring Tapered Sleeve



Bore ..... .670  
OD ..... 2.25

**1220P**  
6 Groove Serpentine  
For: Delco 10SI, 12SI, 15SI, 17SI, 27SI,  
CS121, CS130, CS144  
Replaces: Delco 1979846, 1985964  
Lester: 7127M, 7811, 7813, 7856, 7857,  
7860, 7861, 7879, 7882, 7883, 7888,  
7889, 7893, 7894, 7896, 7897, 7902,  
7905, 7908, 7914, 7917, 7918, 7919,  
7920, 7921, 7925, 7926, 7929

Additional Pulleys may be found in  
companion catalog "Ace Alternator  
Parts Buyers Guide - Book #1"

*Delco*



Bore -----.670  
OD -----2.81

**1223P**  
6 Groove Serpentine  
For: Delco 12SI & CS130  
Replaces: Delco 1986832  
Lester: 7271, 7272, 7273, 7274, 7275,  
7277, 7278, 7279, 7292, 7293, 7294,  
7825-34, 7839, 7841, 7855



Bore -----.670  
OD -----2.25

**1240P**  
6 Groove Serpentine & Single V  
For: Delco CS121  
Replaces: Delco 10497728  
Lester: 7815, 7816



Bore -----.827  
OD -----2.29

**1359P**  
6 Groove Serpentine  
For: Delco CS144/140Amp  
Replaces: Delco 10471713  
Lester: 8131, 8132



Bore-----.875  
OD----3.50  
Belt ---1/2" (.500) V Belt

**1271P**  
Single Groove  
For: Delco 20SI, 21SI  
Replaces: Delco 1987932  
Lester: 7641



Bore -----.875  
OD -----4.12  
Belt -----5/8" (.625) V Belt

**1234P**  
Single Groove, 5/32" Keyway  
For: Delco 25SI 24V  
Replaces: Caterpillar 4N8090, 4N8225  
Used On: Caterpillar D8, D9, D10  
Tractors  
Lester: 7237, 7254, 7255, 7270



Bore -----.875  
OD ----3.00  
Belt----1/2" (.500) V Belt

**1241P**  
Double Groove, 5/32" Keyway  
For: Delco 30SI/TR  
Used On: Chevrolet & GMC Trucks  
w/671 Detroit Diesel Engine  
Lester: 7256, 7262, 7263, 7265, 7267,  
7268



Bore ----.875  
OD ----3.35  
Belt----1/2" (.500) V Belt

**1265P**  
Double Groove  
Replaces: Delco 830279  
For: Delco 21SI, 25SI, 26SI, 27SI & 30SI



Bore -----.875  
OD -----3.50  
Belt-----1/2" (.500) V Belt

**1242P**  
Double Groove, 5/32" Keyway  
For: Delco 20SI & Prestolite ANB  
Replaces: Caterpillar 5S7609  
Used On: HD w/Caterpillar Engine  
Lester: 7266, 7297



Bore-----.875  
OD-----3.50  
Belt ----1/2" (.500) V Belt

**1266P**  
Double Groove  
For: Delco 21SI  
Used On: Navistar Class 8 Trucks

Additional Pulleys may be found in  
companion catalog "Ace Alternator  
Parts Buyers Guide - Book #1"

# Delco



Bore -----.875  
 OD -----3.50  
 Belt -----3/4" (.750) V Belt

**1117-P**  
 Double Groove  
 For: Delco 20SI & Prestolite ANB  
 Replaces: Caterpillar 9S6129  
 Used On: Caterpillar & Cummins  
 Applications  
 Lester: 7266, 7297



Bore -----.875  
 OD -----2.12

**1260P**  
 7 Groove Serpentine  
 For: Delco 21SI  
 Replaces: Delco 10468768



Bore -----.875  
 OD -----2.81

**1230P**  
 9 Groove Serpentine, with 5/32" Keyway  
 For: Delco 25SI & 30SI  
 Replaces: Detroit Diesel 5145471  
 Used On: Cummins Diesel, Detroit Diesel, Euclid & Uni-Rig  
 Lester: 7237, 7254, 7255, 7270



Bore -----.875  
 OD -----3.50

**1246P**  
 3 Groove Serpentine, 5/32" Keyway  
 For: Delco 25SI & 30SI  
 Replaces: Mack 310GC276  
 Used On: Mack Trucks  
 Lester: 7202, 7237, 7254, 7255, 7256, 7262, 7263, 7265, 7267, 7268, 7270



Bore -----.875  
 OD -----2.25

**1267P**  
 8 Groove Serpentine  
 For: Delco 21SI  
 Replaces: Delco 10499362



Bore -----.875  
 OD -----2.75

**1269P**  
 8 Groove Serpentine  
 For: Delco 21SI  
 Replaces: Delco 10474925, Ford F3HZ-10344B



Bore -----.875  
 OD -----2.87

**1247P**  
 3 Groove Serpentine  
 For: Delco 27SI Type 205  
 Replaces: GMC 2048694  
 Used On: Chevrolet & GMC Trucks  
 Lester: 7136, 7138, 7139, 7161, 7177, 7197



Bore -----.875  
 OD -----2.22

**1263P**  
 8 Groove (Dual 4 Groove) Serpentine  
 For: Delco 21SI  
 Replaces: Delco 10470322



Bore -----.875  
 OD -----3.60

**1268P**  
 8 Groove Serpentine  
 For: Delco 21SI, 25SI, 26SI & 30SI  
 Replaces: Delco 10468526, Ford FOHZ-10344-C

Additional Pulleys may be found in companion catalog "Ace Alternator Parts Buyers Guide - Book #1"

*Ford*



Bore -----.670  
OD -----2.95  
Belt-----3/8" V Belt

1300-P  
Single Groove  
For: Ford 3G  
Replaces: Ford F13Z-10344-A



Bore ---.670  
OD ---2.56  
Belt---5/16" & 3/8" V Belt

1238P  
Double Groove  
For: Ford 40-60 Amp ER & IR  
Replaces: Ford E43Z-10344-A  
Lester: 7084, 7088, 7716, 7723, 7738



Bore -----.670  
OD -----2.95  
Belt-----1/2" V Belt

1113P  
Double Groove  
For: Ford 3G  
Replaces: Ford F1HU-10A352-AB,  
F1HZ-10344-A; Motorcraft GP-688  
Lester: 7758



Bore ----.670  
OD ----2.95  
Belt----3/8" & 1/2" V Belt

1309-P  
Double Groove  
For: Ford 3G  
Replaces: Ford F2UZ-10344-A  
Lester: 7758



Bore-----.670  
OD----3.31  
Belt ---3/8" & 1/2" V Belt

1259P  
Double Groove  
For: Ford 60-100 Amp  
Replaces: Ford E3TF-10A352-AA,  
E3TZ-10344-A; Motorcraft GP-609  
Used On: Ford Trucks w/ 6.9L & 7.3L  
Diesel Engine  
Lester: 7701, 7704, 7705, 7716



Bore -----.670  
OD -----2.37

1177-P  
5 Groove Serpentine  
Replaces: Ford E1EF-10A352-DA,  
E1FZ-10344-B; Motorcraft GP-606  
Lester: 7706



Bore -----.670  
OD -----1.87

1174-P  
5 Groove Serpentine  
For: Ford 75 Amp IAR/IC  
Replaces: Ford E1EF-10A352-EB,  
E1FZ-10344-C; Motorcraft GP-607  
Lester: 7057, 7058, 7078, 7079, 7083,  
7084, 7085, 7088, 7716, 7723-38



Bore -----.670  
OD -----2.25

1302-P  
5 Groove Serpentine  
For: Ford 3G  
Replaces: Ford F23Z-10344-B,  
F1DZ-10344-A  
Lester: 7756, 7760



Bore -----.670  
OD -----2.25

1303-P  
6 Groove Serpentine  
For: Ford 3G  
Replaces: Ford FODZ-10344-B,  
F0VY-10344-B  
Lester: 7749, 7751, 7753, 7754, 7755,  
7757, 7758, 7761, 7762, 7764

Additional Pulleys may be found in companion catalog "Ace Alternator Parts Buyers Guide - Book #1"

# Ford



Bore ..... .670  
OD ..... 2.43

**1304-P**  
6 Groove Serpentine  
For: Ford 3G  
Replaces: Ford F07Z-10344-A  
Lester: 7750, 7751, 7752, 7758, 7759, 7761



Bore ..... .670  
OD ..... 2.75

**1306-P**  
6 Groove Serpentine  
For: Ford 3G  
Replaces: Ford F0CU-10344-C



Bore ..... .670  
OD ..... 2.32

**1307-P**  
7 Groove Serpentine  
For: Ford 3G  
Replaces: Ford F1VY-10344-A;  
Motorcraft GP-682  
Lester: 7753, 7764



Bore ..... .670  
OD ..... 2.51

**1365-P**  
8 Groove Serpentine  
For: Ford 3G  
Replaces: Ford F5UU-10A352-C1A,  
F5UU-10A352-C2A, F5UZ-10344-C;  
Motorcraft GP-711  
Fits: Ford F5UU-10300-BA,  
F5UU-10300-EA  
Lester: 7768  
▲ Includes cut out in back to  
accommodate raised lip housings



Bore ..... .670  
OD ..... 2.51

**1367-P**  
7 Groove Serpentine  
For: Ford 3G  
Replaces: Ford F5UU-10A352-A1A,  
F5UU-10A352-A2A, F5UZ-10344-A;  
Motorcraft GP-707  
Fits: Ford F5UU-10300-AA  
Lester: 7768



Bore ..... .670  
OD ..... 2.71

**1368-P**  
8 Groove Serpentine  
For: Ford 3G  
Replaces: Ford F5TU-10A352-AA,  
F5TZ-10344-AA; Motorcraft GP-718  
Fits: Ford F5PU-10300-GA,  
F5TZ-10344-AA; Motorcraft GL-361  
Lester: 7785



Bore ..... .670  
OD ..... 2.32

**1369-P**  
8 Groove Serpentine  
For: Ford 3G  
Replaces: Ford F65U-10344-AA,  
F65Z-10344-AA; Motorcraft GP-720  
Fits: Ford F7UU-10300-AB,  
F7UU-10300-BB, F7UU-10300-CB  
Lester: 7790, 7791



Bore ..... .875  
OD ..... 3.06  
Belt ..... 3/8" V Belt

**1239P**  
Double Groove  
For: Ford 65-100 Amp  
Replaces: Ford C7TZ-10344-B;  
Motorcraft GP-485  
Lester: 7068, 7069, 7080



Bore ..... .875  
OD ..... 3.31  
Belt ..... 1/2" V Belt

**1212P**  
Double Groove  
For: Ford 65-90 Amp  
Replaces: Ford E2HZ-10344-A;  
Motorcraft GP-608  
Lester: 7068, 7068, 7080

Additional Pulleys may be found in  
companion catalog "Ace Alternator  
Parts Buyers Guide - Book #1"



*Ford*



1363-P ... New Item in Process  
For: Ford 4G



1364-P ... New Item in Process  
For: Ford 4G



1303-P-1 ... New Item in Process  
For: Ford 6G

*Hitachi*



Bore-----17mm  
OD-----72mm  
Belt-----10mm V Belt

1294P  
Single Groove  
Fits: Honda, Isuzu  
Lester: 14860



Bore-----17mm  
OD-----72mm  
Belt-----13mm V Belt

1120P  
Double Groove  
Replaces: Hitachi L155-3500  
Subaru 495007401  
Fits: Subaru  
Lester: 14745



Bore-----17mm  
OD-----63mm

1122P  
4 Groove Serpentine  
Fits: Nissan Maxima  
Lester: 14242, 14651, 14661, 14681,  
14717, 14719, 14724, 14752

*Leece-Neville*



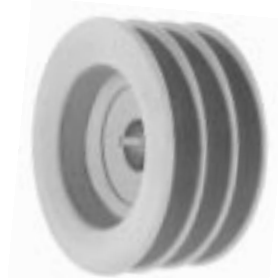
Bore-----.875  
OD-----4.27  
Belt ---1/2" V Belt

1244P  
Double Groove, 5/32" Keyway  
Replaces: Mack 302GC295  
Fits: Mack Trucks w/Leece-Neville  
2300-2800JB Series Alternators  
Lester: 7602, 7608, 7611, 7612, 7613



Bore ----.875  
OD ----4.50  
Belt----1/2" (.500) V Belt

1262P  
Double Groove, 5/32" Keyway  
Replaces: Leece-Neville 187-332  
Fits: Caterpillar Applications



Bore----- .875  
OD -----4.27

1274P  
3 Groove Serpentine, 5/32" Keyway  
Replaces: Mack 310GC273  
Fits: Mack Trucks w/Leece-Neville  
2300-2800JB Series Alternators  
Lester: 7602, 7608, 7611, 7612, 7613

Additional Pulleys may be found in  
companion catalog "Ace Alternator  
Parts Buyers Guide - Book #1"



Bore-----15mm  
OD-----76mm  
Belt-----10mm V Belt

1257P  
Single Groove  
Replaces: Ford E8PZ-10344-B  
Fits: Mitsubishi Manufactured Ford  
Lester: 13190



Bore-----15mm  
OD-----66mm  
Belt-----10mm V Belt

1280P  
Double Groove  
Fits: Chrysler, Dodge, Plymouth  
Lester: 14557, 14688, 14689



OD-----58mm  
Bore-----15mm

1312P  
3 Groove Serpentine  
Fits: Honda  
Lester: 13265, 13266



Bore-----15mm  
OD-----60mm

1281P  
3 Groove Serpentine  
Fits: Ford, Mazda  
Lester: 13196, 13297, 13299



Bore-----15mm  
OD-----55mm

1283P  
4 Groove Serpentine  
Fits: Chrysler Imports  
Lester: 14447, 14693, 14694, 14697,  
14706, 14709, 14917, 14950



Bore-----.590  
OD-----2.16

1289P  
4 Groove Serpentine, Conversion  
Pulley  
Converts Mitsubishi Alternators To  
Replace Bosch Alternators On  
Hyundai Applications  
Lester: 14268, 14576, 14876



Bore-----15mm  
OD-----55mm

1286P  
4 Groove Serpentine  
Fits: Dodge, Eagle, Geo, Mitsubishi,  
Plymouth, Suzuki  
Lester: 13197, 13213, 14434, 14435,  
14693, 14709



Bore-----15mm  
OD-----55mm

1282P  
4 Groove Serpentine  
Fits: Chrysler Imports  
Lester: 14694, 14917, 14950, 14967



Bore-----15mm  
OD-----64mm

1317P  
4 Groove Serpentine  
Fits: Dodge, Eagle, Hyundai,  
Mitsubishi, Nissan, Plymouth, Subaru  
Lester: 13251, 13318, 14428, 14431,  
14434, 14435, 14436, 14437, 14447,  
14693, 14709, 14718, 14967

Additional Pulleys may be found in  
companion catalog "Ace Alternator  
Parts Buyers Guide - Book #1"

# Mitsubishi



Bore-----15mm  
OD-----62mm

**1318P**  
4 Groove Serpentine  
Fits: Dodge, Eagle, Hyundai,  
Mitsubishi, Plymouth  
Lester: 13249, 13271



Bore-----15mm  
OD-----62mm

**1316P**  
5 Groove Serpentine  
Fits: Dodge, Dodge Truck, Hyundai,  
Mitsubishi  
Lester: 13257, 13272, 13290



Bore-----15mm  
OD-----54mm

**1256P**  
6 Groove Serpentine  
Replaces: Ford E8PZ-10344-A  
Fits: Mitsubishi Manufactured Ford  
Lester: 13188, 13189



Bore-----15mm  
OD-----54mm

**1313P**  
6 Groove Serpentine  
Fits: Ford, Mercury, Topaz  
Lester: 13188, 13189, 13230, 13277,  
13298



Bore-----17mm  
OD-----73mm  
Belt-----10mm V Belt

**1311P**  
Single Groove  
Lester: 13227, 13282



Bore-----17mm  
OD-----60mm

**1314P**  
6 Groove Serpentine  
Fits: Ford & Lincoln



Bore-----17mm  
OD-----54mm

**1285P**  
8 Groove Serpentine  
Fits: Ford & Mercury w/Mitsubishi IR/IF  
Alternators  
Lester: 13212



Bore-----17mm  
OD-----63mm

**1284P**  
4 + 6 Groove  
Fits: Mitsubishi A679C00670, A2T48298  
Nissan 23100-D4410, 23100-D4490,  
23150-D4410  
Lester: 14720

# Motorola



Bore ----.628  
OD ----2.62  
Belt----3/8" V Belt

**1158-P**  
Single Groove, 1/8" Keyway  
Replaces: Motorola 7-1, AMC 933664  
Fits: Motorola  
Lester: 7361, 7981

Additional Pulleys may be found in  
companion catalog "Ace Alternator  
Parts Buyers Guide - Book #1"

# Motorola



Bore .....628  
OD ----2.87  
Belt----3/8" V Belt

**1170-P**  
Single Groove, 1/8" Keyway  
Replaces: Motorola 7-5, AMC 3204139  
Lester: 7427, 7429



Bore .....628  
OD-----3.12  
Belt ----1/2" V Belt

**1235P**  
Single Groove, 1/8" Keyway  
Replaces: Motorola 7-64,  
Thermo King 77-614  
Fits: Thermo King w/Motorola 8HA  
Series Alternators & Agricultural  
Applications



Bore.....628  
OD ----2.87  
Belt ----3/8" V Belt

**1171-P**  
Double Groove, 1/8" Keyway  
Replaces: Motorola 7-37  
Fits: Motorola  
Lester: 7427, 7429

# Nippondenso



Bore.....15mm  
OD-----67mm  
Belt -----10mm V Belt

**1295P**  
Single Groove  
Fits: Isuzu, Toyota  
Lester: 14457, 14668, 14857



Bore.....15mm  
OD-----67mm  
Belt -----10mm V Belt

**1296P**  
Single Groove  
Fits: Chevrolet, Suzuki  
Lester: 14684, 14870, 14937



Bore.....15mm  
OD-----75mm

**1183P**  
4 Groove Serpentine  
Fits: Toyota, Honda  
Lester: 14756



Bore.....15mm  
OD-----54mm

**1184P**  
4 Groove Serpentine  
Fits: Acura, Toyota  
Lester: 13241, 13326, 14449



Bore.....15mm  
OD-----50mm

**1297P**  
4 Groove Serpentine  
Fits: Chevrolet, Geo, Isuzu  
Lester: 14732, 14733, 14872, 14940



Bore.....15mm  
OD-----65mm

**1502P**  
5 Groove Serpentine  
Replaces: Nippondenso 021041-5100  
Fits: Nippondenso IC Alternators  
Lester: 13222, 13229, 14591, 14680,  
14855, 14869, 14941

Additional Pulleys may be found in  
companion catalog "Ace Alternator  
Parts Buyers Guide - Book #1"

# Nippondenso



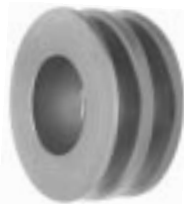
Bore-----15mm  
OD-----60mm

**1182P**  
7 Groove Serpentine  
Fits: Toyota Cressida, Celica, Supra  
Lester: 14458, 14459, 14522, 14643, 14678



Bore-----17mm  
OD-----69mm  
Belt-----10mm V Belt

**1124P**  
Double Groove  
Fits: Toyota Cressida  
Lester: 13168, 13169



Bore-----17mm  
OD-----73mm  
Belt-----10mm V Belt

**1501P**  
Double Groove  
Replaces: Nippondenso 021041-5490  
Fits: Chrysler 40/90 & 50/120  
Lester: 13256, 13301, 13312, 13313



Bore-----17mm  
OD-----81mm  
Belt-----13mm V Belt

**1125P**  
Double Groove  
Fits: 1988-Up John Deere Tractors  
4960-8560 Series



Bore-----17mm  
OD-----82mm  
Belt-----13mm V Belt

**1254P**  
Double Groove  
Replaces: John Deere R-81507  
Fits: Nippondenso/John Deere  
Lester: 13143



Bore-----17mm  
OD-----60mm

**1188P**  
3 Groove Serpentine  
Fits: Toyota Tercel  
Lester: 14347, 14450, 14644, 14672, 14673



Bore-----17mm  
OD-----63mm

**1503P**  
4 Groove Serpentine  
Replaces: Nippondenso 021041-5520  
Fits: Chrysler 40/90 & 50/120  
w/Internal Fan  
Lester: 13184, 13245, 13280, 13309



Bore-----17mm  
OD-----63mm

**1504P**  
5 Groove Serpentine  
Replaces: Nippondenso 021041-5330  
Fits: Chrysler 40/90 & 50/120  
w/Internal Fan  
Lester: 13305, 13306, 13308, 13310



Bore-----17mm  
OD-----57mm

**1185P**  
6 Groove Serpentine  
Fits: Chrysler, Dodge, Eagle, Jeep

Additional Pulleys may be found in companion catalog "Ace Alternator Parts Buyers Guide - Book #1"

## Nippondenso



Bore-----17mm  
OD-----63mm

1505P  
6 Groove Serpentine  
Replaces: Nippondenso 021041-6300  
Fits: Chrysler 40/90 & 50/120  
Lester: 13307, 13311



Bore-----17mm  
OD-----58mm

1187P  
6 Groove Serpentine  
Fits: Lexus, Toyota



Bore-----17mm  
OD-----63mm

1506P  
8 Groove Serpentine  
Replaces: Nippondenso 021041-6310  
Fits: Chrysler 50/120  
Lester: 13302, 13304

## Prestolite



Bore ----.875  
OD-----3.60  
Belt ----5/8" (.625) V Belt

1114P  
Double Groove  
Replaces: Prestolite 34-399, PU-697,  
JI Case A-44442  
Fits: Prestolite ANB Alternators

## Miscellaneous



Bore-----.670  
OD-----2.97  
Belt ----1/2" V Belt

1115P  
Single Groove  
Replaces: Allis Chalmers 70250599  
Fits: Allis Chalmers 190XT



Bore -----.670  
OD -----3.386  
Belt -----.512

1233P  
1-Groove Pulley  
For: Ford Alternators  
Used On: Ford Industrial Engines



Bore -----.670  
OD -----3.25  
Belt-----1/2" V Belt

1207P  
Single Groove, 5/32" Keyway  
Replaces: Delco 1949916,  
John Deere R11189  
Fits: John Deere Tractors w/12 & 24  
Volt Delco Generators  
Lester: 9074, 9422



Bore ----.670  
OD-----3.10  
Belt ----5/8" V Belt

1116P  
Double Groove  
Replaces: John Deere L-59716  
Fits: Case 90 Series Tractors



Bore-----.875  
OD-----4.82  
Belt ----1/2" V Belt

1243P  
Double Groove, 5/32" Keyway  
Replaces: Freightliner 01-12929-0,  
Kenworth K187-310  
Fits: Cummins Diesel on Kenworth  
& Freightliner w/Delco 25SI Series  
Alternators  
Lester: 7237, 7254, 7270

Additional Pulleys may be found in  
companion catalog "Ace Alternator  
Parts Buyers Guide - Book #1"

# Miscellaneous



Bore -----.875  
 OD -----6.26  
 Belt-----5/8" V Belt

1288P  
 Double Groove, 5/32" Keyway  
 Replaces: Caterpillar 7S8289  
 Fits: Caterpillar  
 Lester: 9419



Bore -----.875  
 OD -----2.92

1119P  
 8 Groove Serpentine, 5/32" Keyway  
 Replaces: Kenworth K187-367  
 Fits: Kenworth Truck



Bore -----.670  
 OD -----2.33

1255P  
 8 Groove Serpentine  
 Replaces: Cummins 3908560  
 Fits: Cummins Engine for Agricultural  
 & Industrial Applications



Bore -----.670  
 OD -----2.75  
 Belt -----3/8" V Belt

1121-P  
 Double Groove, 5/32" Keyway  
 Replaces: Delco 1938716, 1939093,  
 1940345, 1952882, 1960536, 1962934,  
 1962998, John Deere AT-17054  
 Fits: Delco 10DN 61 & 63 Amp, 10SI,  
 15SI 85 Amp Passenger & Truck  
 Application  
 Lester: 7122, 7127, 7133, 7135, 7157,  
 7192

Additional Pulleys may be found in  
 companion catalog "Ace Alternator  
 Parts Buyers Guide - Book #1"

# Chrysler



**S-2443**  
 60 Amp, 12 Volt  
 For: Chrysler Round Back Alternators  
 Replaces: Chrysler 2095013, 2098511  
 Lester Rotor: 1552

Components Available:  
 GS-2869 Shaft  
 S-2413 Non-machined Slip Ring  
 S-2416 Machined Slip Ring



**S-1393**  
 40 Amp, 24 Volt  
 For: Delco 10SI Type 136 Alternators  
 Replaces: Delco 1986082  
 Lester Rotor: 1511  
 Lester Unit: 7181  
 ▲ .984" Shaft Dia. fits A-305-2S Bearing  
 in C-3279 DE Frame

Components Available:  
 GS-2917 Shaft  
 S-1308 Slip Ring  
 S-1356 Bobbin



**S-1748**  
 50-70 Amp, 24 Volt  
 For: Delco 21SI Alternators  
 Replaces: Delco 10470690  
 Fits: Delco 1117897, 900, 901, 915, 944  
 ▲ Field Ohms 9.5-10.7  
 ▲ Field Amps 2.2-2.5

Note:  
 Use w/C-5210 Stator for 60/70 Amp  
 Use w/C-5211 Stator for 50 Amp

Components Available:  
 GS-2957 Shaft 7-7/8" L  
 S-1307 Slip Ring  
 S-2392 Bobbin

# Delco



**S-1381**  
 61-72 Amp, 12 Volt  
 For: Delco 10SI Type 136 Alternators  
 Replaces: Delco 1880068, 1894647,  
 1986127, 1986814  
 Lester Rotor: 1541  
 Lester Unit: 7186  
 ▲ .984" Shaft Dia. fits A-305-2S Bearing  
 in C-3279 DE Frame

Components Available:  
 GS-2917 Shaft  
 S-1308 Slip Ring  
 S-1356 Bobbin



**S-1660**  
 120 Amp, 12 Volt  
 For: Delco 17SI Alternators  
 Replaces: Delco 1988967  
 Lester Unit: 7287

Components Available:  
 GS-2830 Shaft  
 S-1308 Slip Ring  
 S-2392 Bobbin



**S-1786**  
 90-160 Amp, 12 Volt  
 For: Delco 21SI Alternators  
 Replaces: Delco 10477018  
 Fits: Delco 19010100, 0103, 0114, 0115,  
 0118, 0120, 0124-thru-0127, 0129, 0134,  
 0136, 0137, 0138, 0141, 0145, 0147,  
 0153-thru-0163, 0165, 0166, 0168, 0171,  
 0173, 0174, 0178, 0181, 0183, 0184

▲ Field Ohms 1.7-1.8  
 ▲ Field Amps 6.7-7.1  
 ▲ Late Style, with Extended SRE  
 Bearing Journal  
 Note:  
 Use w/C-5203 Stator for 90/100 Amp  
 Use w/C-5204 Stator for 115 Amp  
 Use w/C-5209 Stator for 145/160 Amp

Components Available:  
 GS-2967 Shaft 8-1/4" L  
 S-1307 Slip Ring  
 S-2392 Bobbin



**S-1385**  
 61-72 Amp, 12 Volt  
 For: Delco 10SI Type 100 & 116  
 Alternators  
 Replaces: Delco 1846657  
 Lester Rotor: 1546  
 Lester Unit: 7154

Components Available:  
 GS-2872 Shaft  
 S-1308 Slip Ring  
 S-1356 Bobbin



**S-1721**  
 90-160 Amp, 12 Volt  
 For: Delco 21SI Alternators  
 Replaces: Delco 10467263, 10470606,  
 D3183, D3186  
 Fits: Delco 1117880-thru-896, 898, 899,  
 902-thru-914, 916-thru-934, 936-thru-  
 943, 945-thru-966  
 ▲ Field Ohms 1.7-1.8  
 ▲ Field Amps 6.7-7.1

Note:  
 Use w/C-5203 Stator for 90/100 Amp  
 Use w/C-5204 Stator for 115 Amp  
 Use w/C-5208 Stator for 125/130 Amp  
 Use w/C-5209 Stator for 145/160 Amp

Components Available:  
 GS-2957 Shaft 7-7/8" L  
 S-1307 Slip Ring  
 S-2392 Bobbin

Additional Rotors may be found in  
 companion catalog "Ace Alternator  
 Parts Buyers Guide - Book #1"



*Delco*



**S-1788**  
 50-70 Amp, 24 Volt  
 For: Delco 21SI Alternators  
 Replaces: Delco 10477863  
 Fits: Delco 19010108, 0111, 0182, 0185  
 ▲ Field Ohms 9.5-10.7  
 ▲ Field Amps 2.2-2.5  
 ▲ Late Style, with Extended SRE  
 Bearing Journal  
 Note:  
 Use w/C-5210 Stator for 60/70 Amp  
 Use w/C-5211 Stator for 50 Amp

Components Available:  
 GS-2967 Shaft 8-1/4" L  
 S-1307 Slip Ring  
 S-2392 Bobbin

**22SI**  
**New Item**  
**In Process**

**S-1789**  
 100-160 Amp, 12 Volt  
 For: Delco 22SI Alternators  
 Replaces: Delco 10492756, 10493722  
 Fits: Delco 10459188, 9189, 9190, 9191, 9192, 9193, 9204, 9205, 9212, 9215, 9216; 19020300, 0302, 0303, 0304, 0305, 0306, 0308, 0309, 0310, 0312  
 Lester Unit: 8070, 8071, 8072, 8073, 8074, 8075, 8078, 8079

Components Available:  
 GS-2967 Shaft 8-1/4" L  
 S-2392 Bobbin  
 S-6506 Slip Ring



**S-2370-A**  
 For: Delco 25SI, 26SI, 30SI, 33SI, 34SI  
 Series Alternators  
 Replaces: 1968904  
 Components Available:  
 GS-2942 Shaft



**S-1668**  
 60-80 Amp, 12 Volt  
 For: Delco CS121 Alternators  
 Replaces: Delco 10472665, 10495179, 10497317  
 Components Available:  
 GS-2952 Shaft  
 S-1016 Plastic Fan  
 S-1679 Slip Ring



**S-1666**  
 85-105 Amp, 12 Volt  
 For: Delco CS130 Alternators  
 Replaces: Delco 1989632; 10470297, 0633, 1478, 1658, 1945, 1947, 2287, 4093; 10495681, 9985  
 Components Available:  
 GS-2952 Shaft  
 S-1679 Slip Ring



**S-6000**  
 100-105 Amp, 12 Volt  
 For: Delco CS130D Alternators  
 Replaces: Delco 10475748, 10489033  
 Components Available:  
 GS-2958 Shaft  
 S-6016 Slip Ring  
 S-6017 Fan SRE  
 S-6021 Fan DE



**S-1717**  
 108-124 Amp, 12 Volt  
 For: CS144 Alternators  
 Replaces: Delco 1989599, 1989708  
 Components Available:  
 S-1307 Slip Ring  
 S-2392 Rotor Bobbin  
 GS-2953 Shaft .728 Knurl  
 GS-2954 Shaft .689 Knurl



**S-1730**  
 145 Amp, 12 Volt  
 For: Delco CS144 124-145 Amp  
 Alternators  
 Replaces: Delco 10470430, 1616, 2724; D3182, D3185  
 Components Available:  
 A-1130 Conversion Raceway\*  
 S-1307 Slip Ring  
 S-2392 Rotor Bobbin  
 GS-2930 Shaft  
 GS-2953 Shaft (req. A-1130)\*  
 GS-2954 Shaft (req. A-1130)\*

Additional Rotors may be found in  
 companion catalog "Ace Alternator  
 Parts Buyers Guide - Book #1"

# Ford



**S-1210**  
 75-90/100 Amp, 12 Volt  
 For: Ford Blue Back Truck Alternators  
 Replaces: Ford E2HZ-10355-A, B;  
 GM-467, GM-468  
 Fits: Ford 87HV-10300-AA;  
 E2HT-10300-DB, -EB, -FA, -GA;  
 E4HT-10300-AA; E2HF-10346-AA, -BA,  
 -CA, -DA; E2HZ-10346-B, -C, -D, -E;  
 E2HT-DB, -EB, -FA, -GA; Motorcraft  
 GL-215, GL-216, GL-217, GL-218  
 Lester Rotor: 1682, 1698  
 Lester Unit: 7711, 7712

Components Available:  
 6209 Coil  
 GS-2955-HT Shaft  
 S-1205 Slip Ring  
 S-1263 Sleeve  
 S-1299 Bobbin



**S-1247**  
 75 Amp, 12 Volt  
 For: Ford 2G IAR/IC  
 Replaces: Ford E6DZ-10335-A,  
 E9SZ-10335-A, GM-476, GM-488

Components Available:  
 GS-2920 Shaft  
 S-1214L Stop Ring  
 S-1288 Slip Ring



**S-1959**  
 75-95 Amp, 12 Volt  
 For: Ford 3G Series - Small Frame  
 Replaces: Ford F67U-10335-AA

Components Available:  
 GS-2960 Shaft 669-20 Thrd  
 GS-2961 Shaft M16-1.5 Thrd  
 S-1214L Stop Ring  
 S-1942 Bobbin  
 S-1944 Slip Ring  
 S-1965 Coil Assy  
 S-1968 Front Fan  
 S-1969 Rear Fan



**S-1960**  
 130 Amp, 12 Volt  
 For: Ford 3G Series - Large Frame  
 Replaces: Ford F7RU-10335-AA

Components Available:  
 GS-2960 Shaft 669-20 Thrd  
 GS-2961 Shaft M16-1.5 Thrd  
 S-1214L Stop Ring  
 S-1943 Bobbin  
 S-1944 Slip Ring  
 S-1967 Coil Assy  
 S-1968 Front Fan  
 S-1971 Rear Fan

## 4G New Item In Process

**S-6820**  
 130 Amp, 12 Volt  
 For: Ford 4G  
 Replaces: Ford F6OU-10355-AA, BA,  
 CA; F6LU-10335-AA, AB  
 Fits: Ford F5OU-10300-AA, -FC;  
 F68U-10300-AF, F6DU-10300-BB, -DD;  
 F6LU-10300-CB; F6OU-10300-AA,  
 F6ZU-10300-BE, F77U-10300-AC;  
 F78U-10300-AA, F8OU-10300-CA;  
 F5OY-10346-A, F68Z-10346-AD,  
 F6DZ-10346-B, D; F6LY-10346-A,  
 F6OY-10346-AA, F6ZZ-10346-B,  
 F77Z-10346-AB, F78Z-10346-AA,  
 F8OZ-10346-CA  
 Lester Rotor: 2934, 7050-2934  
 Lester Unit: 7773, 7780, 7781, 7786,  
 7787

## 6G New Item In Process

**S-6833**  
 105 Amp, 12 Volt  
 For: Ford 6G Series, Small Frame  
 Replaces: Ford F8WU-10335-BB

Components Available:  
 GS-2961 Shaft M16-1.5 Thrd  
 S-1214L Stop Ring  
 S-6826 Slip Ring

Additional Rotors may be found in  
 companion catalog "Ace Alternator  
 Parts Buyers Guide - Book #1"

# Ford

**6G**  
**New Item**  
**In Process**

S-6834  
135 Amp, 12 Volt  
For: Ford 6G Series, Large Frame  
Replaces: Ford F8AU-10335-AA  
Fits: Ford F8AU-10300-AA, AC;  
F8AZ-10346-AB

Components Available:  
GS-2961 Shaft M16-1.5 Thrd  
S-1214L Stop Ring  
S-6826 Slip Ring

# Leece-Neville



S-1492  
60-85 Amp, 24 Volt  
For: Leece-Neville 2509JB, 2511JB  
Series Alternators  
Replaces: 79575

Components Available:  
S-1401 Bobbin  
S-1443 Slip Ring  
S-1480 Spacer  
GS-2922-HT Shaft

Additional Rotors may be found in  
companion catalog "Ace Alternator  
Parts Buyers Guide - Book #1"

*Bobbins  
Chrysler*



S-3905  
Bobbin  
For: Chrysler Corporate 40/90, 50/120  
Replaces: Chrysler 5226005

*Ford*



S-1299  
Bobbin  
For: Ford Blue Back

*Rotor Coils  
Delco*



6302  
90-145 Amp, 12 Volt  
Rotor Coil  
For: Delco 21SI & 22SI  
▲ Field Ohms 1.7-1.8

*Delco*



S-2252  
Bobbin  
For: Delco 12SI



S-1942  
Bobbin  
For: Ford 3G 75-95 Amp  
Replaces: Ford F67U-10B303-AB

*Ford*



6209  
100 Amp, 12 Volt  
Rotor Coil  
For: Ford Blue Back  
▲ Field Ohms 1.9-2.0



S-2392  
Bobbin  
For: Delco 15SI, 17SI, 21SI, 22SI, CS144



S-1943  
Bobbin  
For: Ford 3G 130 Amp  
Replaces: Ford F65U-10B303-AA



S-1965  
95 amp, 12 Volt  
Rotor Coil  
For: Ford 3G 75-95 Amp  
Replaces: Ford F67U-10327-AB  
▲ Field Ohms 2.4-2.6

Additional Rotor Components may be found in companion catalog "Ace Alternator Parts Buyers Guide - Book #1"

*Rotor Coils*  
*Ford*



S-1967  
130 amp, 12 Volt  
Rotor Coil  
For: Ford 3G 130 Amp  
Replaces: Ford F65U-10327-AA  
▲ Field Ohms 2.7-2.9

*Rotor Fans*  
*Delco*



S-1016  
Rotor Fan  
For: Delco CS121  
Replaces: 10498018  
▲ Original Style, Plastic



S-1698  
Rotor Fan for Delco CS130  
▲ Original Style, Plastic



S-1698X  
Rotor Fan  
For: Delco CS130  
▲ Aftermarket Style, Plastic  
▲ Slip Ring Removal Not Required for Installation



S-6017  
Rotor Fan  
For: Delco CS130D  
▲ Rear Fan



S-6021  
Rotor Fan  
For: Delco CS130D  
▲ Front Fan

*Ford*



S-1968  
Rotor Fan  
For: Ford 3G  
▲ Front Fan 75-95 Amp & 130 Amp



S-1969  
Rotor Fan  
For: Small Frame Ford 3G  
▲ Rear Fan for 75-95 Amp



S-1971  
Rotor Fan  
For: Large Frame Ford 3G  
▲ Rear Fan for 130 Amp

Additional Rotor Components may be found in companion catalog "Ace Alternator Parts Buyers Guide - Book #1"

*Pole Pieces*

*Ford*



S-1945  
Pole Piece  
For: Ford 3G 75-95 Amp



S-1946  
Pole Piece  
For: Ford 3G 130 Amp

*Slip Rings*

*Bosch*



S-5357  
Slip Ring  
For: Bosch  
Replaces: Bosch 1-124-304-007

ID .....669  
OD .....1.280



S-5358  
Slip Ring  
For: Bosch  
Replaces: Bosch 1-124-303-005

ID .....669  
OD .....1.105



S-5884 ... New Item in Process  
Slip Ring  
For: Bosch  
Lester: 13417, 13520, 13541

ID .....280  
OD .....610

*Chrysler*



S-2413  
Slip Ring  
For: Chrysler Round Back,  
Square Back, Square Back Revised  
Replaces: Chrysler 3755187  
▲ Slip Ring Surface Not Machined  
▲ Fully Machined Slip Ring Available  
as S-2416



S-3827  
Slip Ring  
For: Chrysler Corporate 40/90,  
50/120 Amp  
Replaces: Chrysler 4433050, 5226003

OD ..... .399 (Insert)  
OD ..... .650 (Slip Ring)

*Delco*



S-1307  
Slip Ring  
For: Delco 15SI, 17SI, 21SI, 27SI, CS144

ID .....682  
OD .....1.180

S-1307L  
▲ S-1307 with Long Leads



S-1679  
Slip Ring  
For: Delco CS121, CS130  
Replaces: Delco 1989640

ID .....519  
OD .....1.025

Additional Rotor Components may be found in companion catalog "Ace Alternator Parts Buyers Guide - Book #1"

*Slip Rings*

*Delco*



ID .....279  
OD .....579

S-6016  
Slip Ring  
For: Delco CS130D



ID .....682  
OD .....980

S-6506  
Slip Ring  
For: Delco 22SI

*Ford*



ID .....681  
OD .....1.250

S-1205-S  
Slip Ring  
For: Ford  
Replaces: Ford C3SZ-10328-A  
▲ With Polarity Split  
▲ Available without split as S-1205



ID .....681  
OD .....1.400

S-1284-2  
Slip Ring  
For: Ford 70-100 Amp  
Replaces: D2OZ-10328-A  
▲ Available with .685 ID as S-1284



ID .....523  
OD .....1.055

S-1944  
Slip Ring  
For: Ford 3G  
Replaces: Ford F67U-10328-AA

**4G**  
**New Item**  
**In Process**

ID .....240  
OD .....615

S-6819  
Slip Ring  
For: Ford 4G  
Replaces: Ford F5OU-10328-BA

**6G**  
**New Item**  
**In Process**

ID .....523  
OD .....1.055

S-6826  
Slip Ring  
For: Ford 6G  
Replaces: Ford F8WU-10328-BA

*Leece-Neville*



ID .....464  
OD .....920

S-1417  
Slip Ring  
For: Leece-Neville 7000 Series

*Lucas*



ID .....405  
OD .....1.175

S-2631  
Slip Ring  
For: Lucas 15, 16, 17, 18, 20, 22, 23,  
25ACR Series  
Replaces: Lucas 54217372

Additional Rotor Components may be found in companion catalog "Ace Alternator Parts Buyers Guide - Book #1"

*Slip Rings*  
**Lucas**



ID .....669  
OD .....1.045

S-3826  
Slip Ring  
For: Lucas A127 Series

*Motorola*



ID .....742  
OD .....1.555

S-1645  
Slip Ring  
For: Motorola  
Replaces: Leece-Neville 57462,  
Ford D8HZ-10328-A  
Fits: Motorola Rotors 12 -1, 12-2

*Rotor Shafts*  
**Bosch**



L .....6.05  
Knurl .....688

GS-3000  
Rotor Shaft  
For: Bosch 65 Amp  
Replaces: 1-124-034-341 (Rotor)  
Fits: 0-120-489-475, 0-120-488-205;  
Case A186125

*Chrysler*



L .....5.09  
Knurl .....685

GS-2869  
Rotor Shaft  
For: Chrysler Round Back, Square  
Back, Revised Square Back



L .....6.02  
Knurl .....686

GS-2931  
Rotor Shaft  
For: Chrysler Corporate 100 Amp



L .....5.34  
Knurl .....686

GS-2934  
Rotor Shaft  
For: Chrysler Square Back, Revised  
Square Back



L .....5.00  
Knurl .....703

GS-2956  
Rotor Shaft  
For: Chrysler Corporate 40/90, 50/120  
Replaces: 5227543  
Lester: 7002, 7552, 7557



L .....6.56  
Knurl .....688

GS-2830  
Rotor Shaft  
For: Delco 15SI, 17SI, late CS144 with  
Needle Bearing  
▲ Use with S-1307L Slip Ring for late  
CS144 applications

L .....6.56  
Knurl .....693

GS-2830-X  
▲ Oversized Knurl



L .....9.25  
Knurl .....999

GS-2942  
Rotor Shaft  
For: Delco 33SI, 34SI

Additional Rotor Components may be  
found in companion catalog "Ace  
Alternator Parts Buyers Guide - Book #1"



*Rotor Shafts*  
*Delco*



L .....3.12  
Knurl .....687

GS-2950  
Rotor Shaft  
For: Delco 27SI



L .....5.88  
Knurl .....690

GS-2952  
Rotor Shaft  
For: Delco CS121, CS130  
Replaces: Delco 10497318

L .....5.88  
Knurl .....699

GS-2952-X  
▲ Oversized Knurl



L .....6.28  
Knurl .....728

GS-2953  
Rotor Shaft  
For: Delco CS144



L .....6.28  
Knurl .....689

GS-2954  
Rotor Shaft  
For: Delco CS144

L .....6.28  
Knurl .....699

GS-2954-X  
▲ Oversized Knurl



L .....7.89  
Knurl .....918

GS-2957  
Rotor Shaft  
For: Delco 21SI  
Replaces: Delco 10467266

L .....7.89  
Knurl .....689

GS-2957-C1  
▲ For Small-hole CS144 Pole Pieces

L .....7.89  
Knurl .....728

GS-2957-C2  
▲ For Large-hole CS144 Pole Pieces



L .....5.85  
Knurl .....669

GS-2958  
Rotor Shaft  
For: Delco CS130D



L .....8.25  
Knurl .....918

GS-2967  
Rotor Shaft  
For: Late Delco 21SI, 22SI  
Replaces: Delco 10477840

*Ford*



L .....7.36  
Knurl .....692

GS-2955  
Rotor Shaft  
For: Ford Blue Back



L .....5.97  
Knurl .....687  
Thread .....669-20

GS-2960  
Rotor Shaft  
For: Ford 3G

L .....5.970  
Knurl .....694  
Thread .....669-20

GS-2960-X  
▲ Oversized Knurl

Additional Rotor Components may be found in companion catalog "Ace Alternator Parts Buyers Guide - Book #1"

Rotor Shafts  
Ford

6G  
New Item  
In Process

L .....5.97  
Knurl .....687  
Thread ---M16-1.5

GS-2961  
Shaft  
For: Ford 3G, 6G with Metric Thread



L .....6.50  
Knurl .....695

GS-2963  
Rotor Shaft  
For: High-Output Aftermarket Ford  
Large Frame Alternators  
▲ Accepts A-305-2S DE Bearing

4G  
New Item  
In Process

L .....5.03  
Knurl .....685

GS-2964  
Rotor Shaft  
For: Ford 4G  
Replaces: F5OU-10330-CA

Hitachi

Photo Not Available

L .....5.63  
Knurl .....676

GS-3270  
Rotor Shaft  
For: Hitachi  
Fits Alternator No: Hitachi LR165-707,  
LR165-707B; Nissan 23100-77A00  
Fits Rotor No: Hitachi L165-7100  
Lester: 13250

Motorola



L .....7.09  
Knurl.....1.063

GS-2891  
Rotor Shaft  
For: Motorola 8LHA  
For Rotor No.: 12-52, 12-55

Miscellaneous  
Chrysler



ID .....672  
OD .....1.030  
T .....018

S-2610  
Fiber Grease Shield Washer  
For: Chrysler Round Back,  
Square Back



ID .....678  
OD .....886  
T .....125

S-2709  
Rotor Conversion Spacer  
For: Chrysler Square Back, Revised  
Square Back  
Replaces: Chrysler 4145342



S-3822  
Coil Lead Support  
For: Chrysler Corporate 40/90,  
50/120 Rotors  
Replaces: Chrysler 5226149

Delco



ID .....725  
OD .....915  
T .....185

S-1718  
Slip Ring Spacer  
For: Delco 21SI  
Replaces: Delco 1961323  
▲ Fits Rotor Shaft between Slip Ring  
and Pole Piece  
▲ Also used as SRE Bearing grease  
seal in 10SI/27SI

Additional Rotor Components may be  
found in companion catalog "Ace  
Alternator Parts Buyers Guide - Book #1"

Ford



S-1214L  
Split Stop Ring  
For: Ford 1G, 2G, 3G, 6G Rotors  
Replaces: Ford E5AF-10370-AA  
▲ Premium 'Music Wire'

.055 Wire Diameter x .610 ID



S-1263  
Coil-Lead Collar  
For: Ford Blue Back Rotors

Leece-Neville



S-1489  
Coil Lead Insulating Tube  
For: Leece-Neville Rotors  
▲ Fiber Material

ID .....125  
OD .....240  
L .....315

Additional Rotor Components may be found in companion catalog "Ace Alternator Parts Buyers Guide - Book #1"

# Chrysler



C-4086  
78 Amp, 12 Volt  
For: Chrysler Revised Square Back 65-78 Amp  
Replaces: Chrysler 4091515, 4091517



C-4016  
90 Amp, 12 Volt  
For: Chrysler Corporate 40/90 Amp  
Replaces: Chrysler 4433027, 4433098  
Fits: Chrysler 4419186, 5233472, 5233474  
Lester: 7002



C-4023  
120 Amp, 12 Volt  
For: Chrysler Corporate 50/120 Amp  
Replaces: Chrysler 4433099  
Fits: Chrysler 4428082, 5233160, 5233199, 5233508  
Lester No. 7552, 7557

# Delco



C-3238  
100 Amp, 12 Volt  
For: Delco CS130 85-100 Amp  
Replaces: Delco 10498145



C-3239  
105 Amp, 12 Volt  
For: Delco CS130  
Replaces: Delco 10495350, 10495643



S-6008  
100 Amp, 12 Volt  
For: Delco CS130D  
Replaces: Delco 10476400



S-6009  
105 Amp, 12 Volt  
For: Delco CS130D  
Replaces: Delco 10475742



C-3299  
120 Amp, 12 Volt  
For: Delco 17SI  
Replaces: Delco 1988989, D3168  
▲ Lead Length accommodates Gull-Wing Rectifiers



C-5203  
100 Amp, 12 Volt  
For: Delco 21SI, 22SI 90-100 Amp  
Replaces: Delco 10467994

Additional Stators may be found in companion catalog "Ace Alternator Parts Buyers Guide - Book #1"

*Delco*



C-5204  
120 Amp, 12 Volt  
For: Delco 21SI, 22SI 115 Amp; CS144  
108-124 Amp  
Replaces: Delco 10469216



C-5205  
140 Amp, 12 Volt  
For: Delco CS144 140 Amp  
Replaces: Delco 10470439



C-5208  
130 Amp, 12 Volt  
For: Delco 21SI, 22SI 125-130 Amp;  
CS144 Series 108-124 Amp  
Replaces: Delco 10468714



C-5209  
145-160 Amp, 12 Volt  
For: Delco 21SI 145-160 Amp  
Replaces: Delco 10471056



C-5210  
70 Amp, 24 Volt  
For: Delco 21SI 60-70 Amp  
Replaces: Delco 10470875  
Fits: Delco 1117900, 901, 915, 944;  
19010111, 0182, 0185



C-5211  
50 Amp, 24 Volt  
For: Delco 21SI  
Replaces: Delco 10470688  
Fits: Delco 1117897, 19010108

*Ford*



C-3293  
75 Amp, 12 Volt  
For: Ford 2G IAR/IC  
Replaces: Ford E6DZ-10336-A, GC-385



C-4035  
100 Amp, 12 Volt  
For: Ford Blue Back  
Replaces: Ford D3VY-10336-A,  
E2HZ-10336-A



C-4876  
95 Amp, 12 Volt  
For: Ford 3G Small Frame Series, 75-95  
Amp  
Replaces: Ford FODF-10368-AA

Additional Stators may be found in  
companion catalog "Ace Alternator  
Parts Buyers Guide - Book #1"

*Ford*



C-4877  
 130 Amp, 12 Volt  
 For: Ford 3G Large Frame, 4G Series,  
 130 Amp  
 Replaces: Ford E9DF-10368-AA



C-4878 ... New Item In Process  
 105 Amp, 12 Volt  
 For: Ford 6G Small Frame Series



C-4879 ... New Item In Process  
 135 Amp, 12 Volt  
 For: Ford 6G Large Frame Series

*Leece-Neville*



C-3236  
 160 Amp, 12 Volt  
 For: Leece-Neville 2800JB, 7700 Series  
 Replaces: 97078  
 Fits: Leece-Neville 2800J; 5522AA;  
 7706A, AA, J, JA

Additional Stators may be found in  
 companion catalog "Ace Alternator  
 Parts Buyers Guide - Book #1"

# Screws & Bolts - Standard

Thread Size/Length	Type	Features	Thread Type	Part Number
5-40 x 1/2" L	Slotted Binder Head	Zinc Plated		S-2497
6-32 x 3/16" L	Slotted Round Head	Zinc Plated		S-101
6-32 x 1/4" L	Slotted Round Head	Zinc Plated		S-102
6-32 x 1/2" L	Slotted Round Head	Zinc Plated		S-103
6-32 x 5/8" L	Slotted Pan Head	Zinc Plated	Thread Cutting	S-104
6-32 x 1/4" L	Slotted Hex Washer Head	Zinc Plated	Thread Cutting	S-1240
6-32 x 3/16" L	Hex Washer Head	Zinc Plated		S-1289
6-32 x 5/16" L	Hex Washer Head		Thread Cutting	S-1474
6-32 x 5/8" L	Pan, Phillips	Recessed		S-1570
8-32 x 1/4" L	Slotted Round Head			S-111
8-32 x 5/16" L	Slotted Round Head			S-112
8-32 x 3/8" L	Slotted Round Head			S-114
8-32 x 5/8" L	Slotted Pan Head		Thread Cutting	S-116
8-32 x 3/8" L	Truss Slotted			S-118
8-32 x 3/4" L	Pan, Slotted	Flat Washer Attached		S-119
8-32 x 1 1/4" L	Flat, Slotted			S-131-X
8-32 x 7/8" L	Round, Slotted	w/Conical Washer	Thread Cutting	S-196
8-32 x 7/8" L	Hex Washer Head	w/Attached Washer	Black Phosphate	S-1285
8-32 x 13/32" L	Hex, Half Dog Point	Black Phosphate	Self Tapping	S-1288
8-32 x 23/32" L	Hex Washer Head			S-1291
8-32 x 3/4" L	Round, Slotted			S-1321
8-32 x 3/4" L	Truss, Phillips	Dog Point		S-1336
8-32 x 1 1/8" L	Truss, Phillips	Dog Point		S-1369
8-32 x 1 1/16" L	Hex, Dog Point	w/Attached Washer		S-1369-H
8-32 x 1 1/16" L	Phillips, Dog Point W/ Insulator			S-1370
8-32 x 1 1/16" L	Hex, Dog Point W/ Insulator			S-1370-H
8-32 x 7/16" L	Phillips, Round Head		Thread Cutting	S-1374
8-32 x 7/16" L	Hex, Dog Point		Taptite Thread	S-1374-H
8-32 x 3/4" L	Hex, w/Insulator			S-1703
8-32 x 3/4" L	Hex, Dog Point			S-1708
8-32 x 1 1/8" L	Hex, w/Insulator			S-1714
8-32 x 1 1/8" L	Hex, w/Attached Washer			S-1716
8-32 x 5/16" L	Hex, Washer Head		Taptite Thread	S-2179
8-32 x 1/2" L	Slotted Fillister Head	Attached Lockwasher		S-2233
8-32 x 1/2" L	Hex Washer Head	Attached Lockwasher	Taptite Thread	S-2323
8-32 x 3/8" L	Phillips Round Head		Thread Cutting	S-2426
8-32 x 3/8" L	Hex Slotted Washer Head		Self Tapping	S-2426-H
8-32 x 1/2 L	Phillips Pan Head		Thread Cutting	S-2476
8-32 x 5/16" L	Slotted Pan Head	Attached Lockwasher		S-2514
8-32 x 5/8" L	Slotted Round Head			S-2519
8-32 x 7/16" L	Phillips Round Head	Attached Lockwasher	Thread Cutting	S-2536
8-32 x 1 3/8" L	Slotted Flat Head			S-3141
8-32 x 1 1/8" L	Hex Washer Head	w/Step Shoulder		S-3502
8-32 x 3/8" L	Hex Washer Head			S-3921
10-32 x 5/16" L	Slotted Round Head			S-121
10-32 x 11/32" L	Slotted Round Head			S-122
10-32 x 1/2" L	Slotted Tapered Head			S-123
10-32 x 5/8" L	Slotted Round Head			S-124
10-32 x 3/8" L	Slotted Fillister Head			S-126
10-32 x 3/4" L	Slotted Fillister Head			S-127
10-32 x 1/2" L	Phillips Truss Head	Extra Wide, Grade 5		S-128PW
10-32 x 1" L	Slotted Fillister Head			S-132
10-32 x 5/8" L	Slotted Tapered Head			S-181
10-32 x 3/4" L	Slotted Tapered Head			S-181-X
10-32 x 1 1/8" L	Hex Washer Head			S-315
10-32 x 7/16" L	Phillips Counter Sunk			S-1458
10-32 x 13/16" L	Slotted Pan Head	Attached Lockwasher	Taptite Thread	S-2182
10-32 x 5/16" L	Phillips Round Head		Thread Cutting	S-2418
10-32 x 1 1/2" L	Slotted Round Head			S-2563
10-32 x 3/8" L	Hex Head	Copper		S-3402

Additional Hardware may be found in companion catalog "Ace Alternator Parts Buyers Guide - Book #1"

# Screws & Bolts - Standard

Thread Size/Length	Type	Features	Thread Type	Part Number
10-32 x 5/16" L	Hex Washer Head			S-4250
10-32 x .846	Hex Washer Head		Thread Forming	S-4254
10-32 x 1" L	Slotted Round Head			11142
10-32 x 1/2" L	Hex Head			13103
10-32 x 1 1/8" L	Hex Head			13134
10-32 x .632	Hex Washer Head	Dog Point		13186
10-32 x 1 11/16" L	Hex Head			13203
10-32 x 1/2" L	Hex, Slotted, Dog Point	W/Attached Lockwasher		13236
10-32 x 3/8" L	Hex, Slotted	Dog Point		13243
10-32 x 1/2" L	Hex, Conical Washer & Seal			13342
10-32 x 1/2" L	Hex Washer Head			13373
10-24 x 1/2" L	Slotted Fillister Head			S-130
10-24 x 1/2" L	Slotted Round Head		Thread Rolling	S-131
10-24 x 3/4" L	Slotted Pan Head			S-150
10-24 x 3/8" L	Hex Washer Head			S-1262
10-24 x 3/8" L	Hex, Slot Head			S-1337
10-24 x 3/4" L	Hex Washer Head	Attached Lockwasher	Thread Rolling	S-2324
10-24 x 1 3/8" L	Hex Washer Head	Attached Lockwasher	Thread Rolling	S-2325
10-24 x 13/16" L	Hex Washer Head	Locking Element		S-2343
10-24 x 1 5/16" L	Hex Washer Head			S-2346
10-25 x 5/8" L	Phillips Round Head		Thread Cutting	S-2547
10-24 x 1/2" L	Hex Washer Head, 5/16 Drive		Thread-Forming	S-3137
10-24 x 5/8" L	Hex, Thread Rolling			S-3211
10-24 x 1 3/4" L	Hex Head	Attached Washer		S-3417
10-24 x 1 5/16" L	Hex Washer Head			S-3449
10-24 x 3/8" L	Hex, W/Conical Washer		Thread Rolling	S-4201
10-24 x 9/16" L	Hex, W/Attached Washer		Thread Forming	S-4204
10-16 x 3/4" L	Hex Washer Head (Serrated)		Self Tapping	S-408
10-16 x 5/8" L	Hex, Self Tapping			S-2565
12-24 x 5/8" L	Slotted Flat Head			S-133
1/4-28 x 1 5/8" L	Socket Head			S-922
1/4-28 x 7/8" L	Socket Head	Grade 8		S-2876
1/4-28 x 15/16" L	Hex Head		Thread Cutting	S-2877
1/4-20 x .565	Hex Head			S-173
1/4-20 x 3/4" L	Slotted Fillister Head			S-180
1/4-20 x 1/2" L	Slotted Fillister Head			S-182
1/4-20 x 2 1/16" L	Hex Washer Head			S-1295
1/4-20 x 3/4" L	Hex Washer Head	Attached Flat Washer		S-1563
1/4-20 x 3/8" L	Hex Washer Head	Attached Flatwasher		S-1564
1/4-20 x 1/2" L	Hex Washer Head	W/Square Cone Washer		S-1553
1/4-20 x 1/2" L	Hex Washer Head			S-2340
1/4-20 x 7/8" L	Hex Head			S-2353
1/4-20 x 3/8" L	Hex Head			S-2505
1/4-20 x 3/8" L	Hex Lockwasher Head			S-2865
1/4-20 x 7/8" L	Hex Washer Head	Attached Flatwasher, Dog Point	Thread Forming	S-4255
5/16-18 x 1 5/16" L	Hex Washer Head	Locking Serrations Under Head		S-304
5/16-18 x 1 1/2" L	Socket Head			S-2295
5/16-18 x 7/8" L	Socket Head			S-2296

Additional Hardware may be found in companion catalog "Ace Alternator Parts Buyers Guide - Book #1"

Call Your Local ACE Warehouse for Hardware!



# Screws & Bolts - Metric

Thread Size/Length	Type	Thread Type	Part Number
M3 - 0.5 x 7.9mm (.311)	Round Phillips Head	Thread Rolling	S-3855
M4 - 0.7 x 30mm (1.18)	w/M5 x 0.8 x 16mm Extension	Hex Head	S-3836
M4 - 0.7 x 20mm (1.953)	Torx, w/Cupwasher	Thread Rolling	S-1021
M4 - 0.7 x 21mm (1.953)	Torx, Washer Head		S-1022
M4 - 0.7 x 21mm (1.953)	Torx Head, Flat Washer,	Insulated	S-6015
M4 - 0.7 x 21mm (1.953)	Torx Head, Flat Washer	Thread Forming	S-6014
M4 - 0.7 x 17mm (.671)	Hex		S-1776
M4 - 0.7 x 17mm (.671)	Internal Torx	Thread Forming	S-1961
M4 - 0.7 x 9.5mm (.374)	Internal Torx	Thread Forming	S-1940
M4 - 0.7 x 7.5mm (.296)	Round,Phillips		S-3671
M4 - 0.7 x 19mm (.750)	Round, Standard & Phillips		S-3856
M4 - 0.7 x 31mm (1.234)	Hex, w/Washer		S-3881
M4 - 0.7 x 6.7mm (.265)	Round Head, Standard & Phillips Slot, Zinc Plated		S-3894
M4 - 0.7 x 6mm (.236)	Brush Holder Screw		S-3964
M4 - 0.7 x 14.3mm (.562)	Round Phillips		S-3898
M4 - 0.7 x 10MM (.393)	Internal Torx	Thread Forming	S-1940
M4 - 0.7 x 10.4mm (.406)	Hex Washer Head		S-3915
M4 - 0.7 x 5.7mm (.224)	Phillips Pan Head, Attached Split Lock Washer		S-6134
M4.5 - 0.75 x 18mm (.708)	Phillips Hex Washer Head, 7mm Drive Dog Point		S-3965
M5 - 0.8 x 9.8mm (.385)	Phillips, Pan Head		S-3973
M5 - 0.8 x 16.0mm (.640)	Hex		S-3801
M5 - 0.8 x 34.9mm (1.375)	Hex		S-3876
M5 - 0.8 x 15.7mm (.625)	Fillister, Phillips		S-3975
M5 - 0.8 x 20.0mm (.796)	Fillister, Phillips		S-3976
M5 - 0.8 x 8.5mm (.334)	Hex Washer Head, 8mm Drive		S-3968
M6 - 1.0 x 39.7mm (1.562)	Round, Phillips		S-3658
M6 - 1.0 x 35mm (1.375)	Hex		S-3871
M8 - 1.25 x 25mm (.984)	Hex, w/Attached Washer		S-301
M8 - 1.25 x 19.3mm (.765)	Hex, Black Oxide		S-3977
M10 - 1.50 x 25mm (.453)	Hex		S-302

# Steel Washers

Thread Size/Length	Thickness	Thread Type	Part Number
#8 ID x 3/8 OD	.035 T		S-3122
#8 ID x 3/8 OD	.044 T	LOCKWASHER	S-252
#8 ID x 9/32 OD	.044 T	LOCKWASHER	S-1373
#10 ID x 3/8 OD	.032 T		S-849
#10 ID x 3/8 OD	.020 T	INTERNAL STAR	13131
#10 ID x 5/16 OD	.051 T	SPLIT, LOCKWASHER	S-254
#10 ID x 7/16 OD	.047 T		S-1320
#10 ID x 5/16 OD	.029 T		S-3899
#10 ID x .350 OD	.056 T	SPLIT, LOCKWASHER	S-3987
#12 ID x 1/2 OD	.047 T		S-347
#12 ID x .560 OD		LOCKWASHER - DISH INTERNAL STAR	S-1501
7/32 ID x 25/64 OD	.040 T		S-3982
7/32 ID x 5/8 OD	.063 T		13128
1/4 ID x 1/2 OD	.030 T		S-349
1/4 ID x 1/2 OD	.071 T		S-256
17/64 ID x 11/16 OD	.062 T		S-5302
5/16 x 5/8 OD	.029 T		S-563
11/32 ID x 11/16 OD	.056 T		S-584
23/64 ID x 19/32 OD	.110 T	CONCAVE W/RUBBER SEAL	S-1845
3/8 ID x 11/16 OD	.036 T		S-861
3/8 ID x 3/4 OD	.059 T		S-876
3/8 ID x 3/4 OD	.059 T		S-3660
3/8 ID x 9/16 OD	.032 T		13129
29/64 ID x 25/32 OD	.062 T		S-3877
15/32 ID x 63/64 OD	.022 T		S-3858

Additional Hardware may be found in companion catalog "Ace Alternator Parts Buyers Guide - Book #1"

# Steel Washers

Thread Size/Length	Thickness	Thread Type	Part Number
15/32 ID x 63/64 OD	.010 T		S-3859
.480 ID x 1.312 OD	.125 T		S-1515
.480 ID x 1.312 OD	.045 T		S-1516
1/2 ID x 3/4 OD	.057 T		S-850
1/2 ID x 7/8 OD	.042 T		S-1561
1/2 ID x 3/4 OD	.060 T		S-2475
1/2 ID x 11/16 OD	.034 T		S-2564
1/2 ID x 1 1/4 OD	.089 T		13123
1/2 ID x 7/8 OD	.029 T		13199
1/2 ID x 1 25/32 OD	.095 T	CADMIUM PLATED COPPER	13204
9/16 ID x 3/4 OD	.061 T		S-851
5/8 ID x 1 1/16 OD	.100 T	BLACK OXIDE	S-852
5/8 ID x 1 5/16 OD	.105 T		S-2021
11/16 ID x 15/16 OD	.077 T		S-802
11/16 ID x 1 OD	.063 T		S-4511
11/16 ID x 1 1/16 OD	.105 T		S-266
7/8 ID x 2 OD	.130 T		S-2213
3/4 ID x 1 1/4 OD	.126 T		S-2461
3/4 ID x 1 1/4 OD	.037 T		S-2492
3/4 ID x 1 1/8 OD	.100 T		S-2882
49/64 ID x 1 45/64 OD	.125 T		S-2857
7/8 ID x 1 1/8 OD	.011 T		S-2257
7/8 ID x 1 1/4 OD	.093 T		S-4520

## Steel Washers - Metric

Thread Size/Length	Thickness	Thread Type	Part Number
4.4mm ID x 9.0mm OD	0.8mm T		S-3981
5.1mm ID x 9.5mm OD	1.2mm T		14115
6.3mm ID x 11.5mm OD	1.8mm T		S-3988
6.5mm ID x 12.3mm OD	1.6mm T		S-3983
8.5mm ID x 16.7mm OD	1.5mm T		S-3984
14.2mm ID x 24.1mm OD	3.0mm T		S-3990
16.5mm ID x 26mm OD	3.5mm T	LOCK WASHER	S-3821

## Hex Nuts - Standard

Thread Size/Length	Thickness	Thread Type	Part Number
5-40 x 5/16	.110 T	HEX	S-2498
6-32 x 5/16	.109 T	HEX	S-201
6-32 x 5/16	.125 T		S-1571
8-32 x 11/32	.119 T	HEX	S-201-A
8-32 x 11/32	.175 T	HEX, W/ATTACHED CONICAL WASHER	S-1361
8-32 x 11/32	.210 T	HEX, W/ATTACHED CONICAL WASHER & SEAL	13237
10-32 x 3/8	.116 T	HEX	S-202
10-32 x 3/8	.171 T	HEX, W/ATTACHED CONICAL WASHER	S-205
10-32 x 3/8	.120 T	SQUARE	S-2552
10-32 x 3/8	.200 T	HEX, LOCKNUT	S-2024
10-32 x 5/16	.172 T	HEX, W/ATTACHED CONICAL WASHER	S-1260
10-32 x 3/8	.215 T	HEX, W/ATTACHED CONICAL WASHER & SEAL	13239
10-24 x 3/8	.118 T	SQUARE	S-200
10-24 x 3/8	.125 T	HEX	S-200-A
10-24 x 5/16	.185 T	HEX, W/ATTACHED CONICAL WASHER	S-1271
10-24 x 3/8	.184 T	HEX, W/ATTACHED CONICAL WASHER;	S-2545
10-24 x 3/8	.395 T	HEX, W/ATTACHED LOCKWASHER	S-3418
12-24 x 7/16	.152 T	HEX, W/ATTACHED CONICAL WASHER	S-203
12-24 x 7/16	.234 T	HEX, W/ATTACHED CONICAL WASHER	S-2205

Additional Hardware may be found in companion catalog "Ace Alternator Parts Buyers Guide - Book #1"

Call Your Local ACE Warehouse for Hardware!

## Hex Nuts - Standard

Thread Size/Length	Type	Thread Type	Part Number
1/4-20 x 7/16	.217 T	HEX	S-207
1/4-20 x 7/16	.125 T	HEX, W/ATTACHED CONICAL WASHER	S-1270
1/4-20 x 7/16	.187 T		S-2339
1/4-26 x 7/16	.187 T		S-2651
1/4-28 x 7/16	.164 T	HEX, BRASS	S-204
1/4-28 x 7/16	.180 T	HEX, W/ATTACHED CONICAL WASHER	S-1261
5/17-18 x 9/16	.219 T	COPPER PLATE	S-208
5/16-18 x 9/16	.120 T		13137
5/16-18 x 9/16	.220 T	HEX	13149
5/16-24 x 9/16	.220 T	COPPER PLATED	S-215
5/16-24 x 1/2	.250 T	HEX, STOP NUT	S-2291
5/16-24 x 1	.450 T	HEX, STOP NUT	S-2879
5/16-24 x 1/2			13276
3/8-16 x 5/8	.157 T	HEX	S-216
3/8-16 x 5/8	.160 T	HEX	13113
3/8-16 x 9/16	.212 T	HEX	13114
3/8-16 x 5/8	.250 T	EXTENDED	13155
1/2-13 x 3/4	.424 T	HEX	13176
1/2-13 x 3/4	.305 T	HEX	13177
1/2-13 x 3/4	.390 T	FLANGE	13326
5/8-18 x 15/16	.549 T	LOCKNUT	S-2020
5/8-18 x 15/16	.644 T	HEX, LOCKNUT	S-2090
5/8-18 x 15/16	.559 T		S-2091
.668-20 x 15/16	.307 T	HEX, W/RIGHT HAND THREADS	S-212

## Hex Nuts - Metric

Thread Size/Length	Type	Thread Type	Part Number
M4-0.7 x 9mm (.359)	4.4mm (.180) T	W/ATTACHED CUP WASHER	S-1777
M4-0.7 x 7mm (.281)	2.2mm (.093) T		S-3979
M5-0.8 x 9.20mm (3.62)	17.0mm T		S-1020
M5-0.8 x 8mm (.312)	3.9mm (.156) T		S-3980
M5-0.8 x 8mm (.312)		HEX FLANGE NUT	S-3962
M6-1.0 x 10mm (.390)	7.6mm (.302) T	HEX FLANGE NUT	S-1656
M6-1.0 x 9.9mm (.390)	4.7mm (.187) T		S-3659
M6-1.0 x 10mm (.390)	3.0mm (.125) T		S-3991
M6-1.0	12.8mm (.504) T	HEX NUT W/ATTACHED WASHER	S-1926
M6-1.0	5mm T	HEX NUT W/ATTACHED WASHER	S-1927
M8-1.25 x 13mm (.515)	4.0MM (.156) T		S-3992
M8-1.25 x 13mm (.515)	6.8mm (.265) T		S-6019
M10-1.5 x 16.9mm (.671)	4.5mm (.187) T		13185
M12-1.5 x 19mm (.750)	6.8mm (.265) T		S-3917
M16-1.5 x 24mm (.937)	8.1mm (.322) T		S-3820

## Thru Bolts - Standard

Thread Size/Length	Type	Thread Type	Part Number
10-24 x 2 1/8" L	Hex Washer Head		S-1239
10-24 x 2 5/8" L	Hex Washer Head		S-1711
1/4-20 x 2 1/6"L	Hex Washer Head		S-1295
1/4-20 x 3 3/4" L, 3/8 Drive	Hex Washer Head	Chamfered Point	S-3378
1/4-20 x 2 9/16"L	Hex Washer Head	Dog Point	S-6502
12-24 x 3"			S-1302
10-24 x 2 1/8"	Hex Washer Head	Dog Point	S-1312
10-32 x 5 3/8"L			S-1438
1/4-20 x 2 1/4"	Hex Washer Head, Dog Point		S-2214

Additional Hardware may be found in companion catalog "Ace Alternator Parts Buyers Guide - Book #1"

## *Thru Bolts - Standard*

Thread Size/Length	Type	Thread Type	Part Number
10-24 x 3 19/32" L	Hex Washer Head		S-2349
10-32 x 3 1/4"L	Hex Washer Head		S-2432
10-32 x 3 3/4"L	Hex Washer Head		S-2460
10-24 x 3 3/4"L	Hex Washer Head	Locking Material, Grade 8	S-2649
10-24 x 2 1/2"L	Locking Material		S-3145

## *Thru Bolts - Metric*

Thread Size/Length	Type	Thread Type	Part Number
M7 - 1.0 x 41mm L M5 - 0.8 x 18mm L Ext.	Hex Washer Head, 8mm Drive	Chamfered Point	S-3928
M6 - 1.0 x 41mm L	Hex Washer Head, 8mm Drive	Dog Point	S-6811
M5 - 0.8 x 103mm (4.055") L x Thru Bolt Length: 84mm (3.30"), Extension Length 15mm (.590)	Hex Head, 9mm Drive		S-3946
M5 - 0.8 x 70mm L (2.75") x 9mm	Hex Head		S-3944
M5 - 1.0 x 62mm L	Torx Head, Dog Point	Thread Forming	S-6018
M6 - 1.0 x 72mm L			S-1928
M5 - 67mm L	Torx Head, Taptite, Dog Point		S-1614
M5 - 0.8 x 67mm L	Torx Head	Thread Forming	S-1694
M5 - 0.8 x 68.5mm L	Torx Head	Thread Forming	S-1694-A
M5 - 0.8 x 79.5mm L	Hex Washer Head	Cadmium Plated	S-1613

Additional Hardware may be found in companion catalog "Ace Alternator Parts Buyers Guide - Book #1"

Call Your Local ACE Warehouse for Hardware!

## Chrysler



S-1304  
Terminal Clip  
For: Chrysler Square Back



S-3902  
Terminal Clip  
For: Chrysler 40/90



S-2414  
Stator Lead Connector  
For: Chrysler Round Back Alternators



S-2429  
Brush Holder Clip  
For: Chrysler Round Back Alternators



S-2430  
Warning Tag  
For: Chrysler Alternators

## Delco



S-2235  
Relay Terminal Boot  
Fits: Delco 33SI



SA-1137  
Cardboard Sleeve  
Used to protect rotor shaft

## Ford



S-409  
Terminal Clip  
For: Ford 3G Stator Leads



S-1259  
Stator Tap Connector  
For: Ford Blue Back



S-1296  
Stator Terminal  
For: Ford Blue Back



S-1972-S  
Rivet  
For: Ford 3G

1/8" x .469 Semi-Tubular



S-1972-L  
Rivet  
For: Ford 3G

1/8" x .750 Semi-Tubular

## Shop Supplies



SA-7811  
Dielectric Silicone Compound  
Compound Improves The Integrity Of  
Wiring Harness Terminal Connections.  
Lubricant For Rubber Or Plastic  
O-Rings, Boots, Gaskets and Seals.  
Recommended for Ford Rectifier  
Harness Connections  
▲ 5 Oz. Tube

Additional Miscellaneous Parts may be  
found in companion catalog "Ace  
Alternator Parts Buyers Guide - Book #1"

Shop Supplies



SA-7842  
Heat Transfer Compound  
For Use On Rectifiers, Voltage  
Regulators And Ignition  
Modules To Allow For Efficient Heat  
Transfer.  
▲ 5 Oz. Tube



SA-7125  
Regulator Repair Harness  
For: Ford 2G Series, 3G, 4G Series



SA-8155  
Regulator Wiring Repair Harness  
For: Delco CS130D Series

Repair Harness



SA-7112  
Regulator Repair Harness  
For: Delco 10SI, 12SI, 15SI, 17SI,  
27SI/Type 100 Series



SA-7126  
Regulator Repair Harness  
For: Delco CS121, CS130, CS144 Series

Repair Kits



ARK5124  
Repair Kit  
For: Delco CS130 Alternators

- Kit Includes:
- |           |                          |
|-----------|--------------------------|
| S-1682    | Brushholder Assembly     |
| A-203-2S  | DE Bearing               |
| A-6000-2S | SRE Bearing              |
| S-1696    | Tolerance Ring           |
| S-1655    | Battery Terminal Package |
| S-1699    | Baffle                   |
| S-1010    | Stator Lead Cover        |
| S-1022    | Screw                    |
| S-1021    | Screw                    |
| S-128     | Screw                    |
| S-104     | Bearing Retainer         |



SA-7116  
Rectifier Repair Harness  
For: Ford 2G Series IR/EF Alternators\*  
Note: Use SA-7811 Dielectric Silicone  
Compound to ensure proper connec-  
tion.



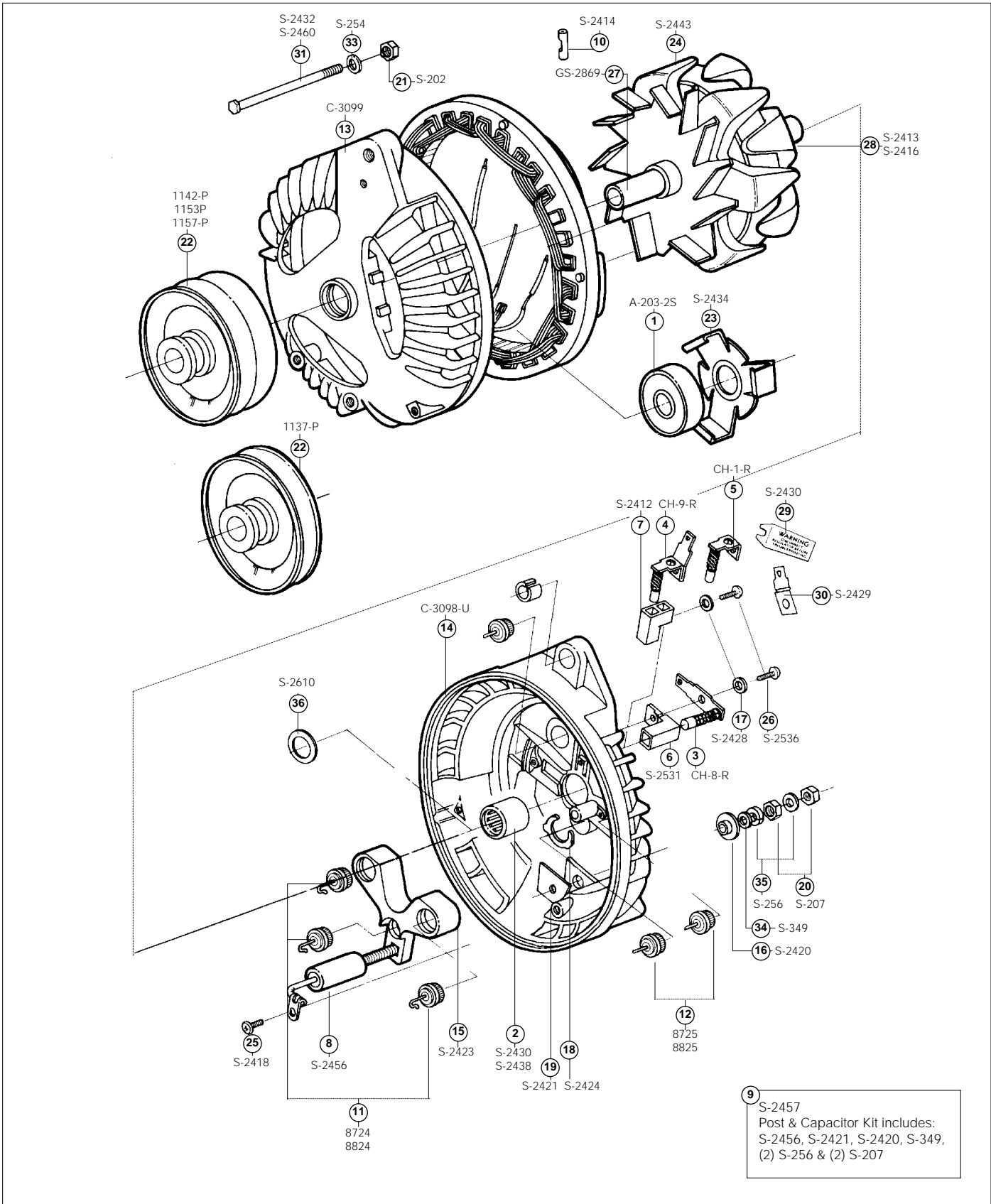
SA-7128  
Regulator Plug Adapter  
3-Terminal, Oval Shape  
For: Delco CS121 Series

Additional Miscellaneous Parts may be  
found in companion catalog "Ace  
Alternator Parts Buyers Guide - Book #1"

# for Chrysler Round Back



12 Volt 60 Amp



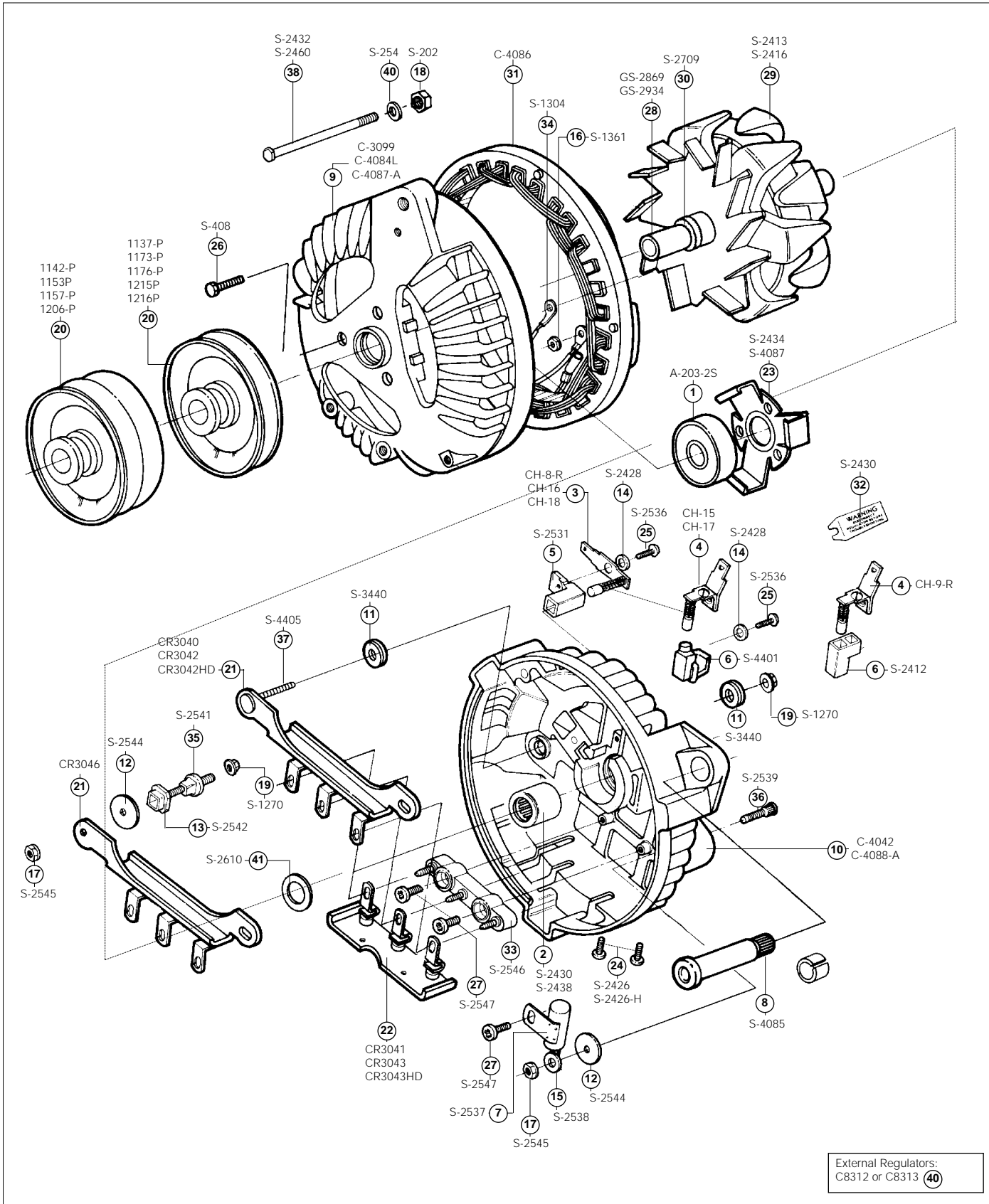




# for Chrysler Square Back & Revised Square Back

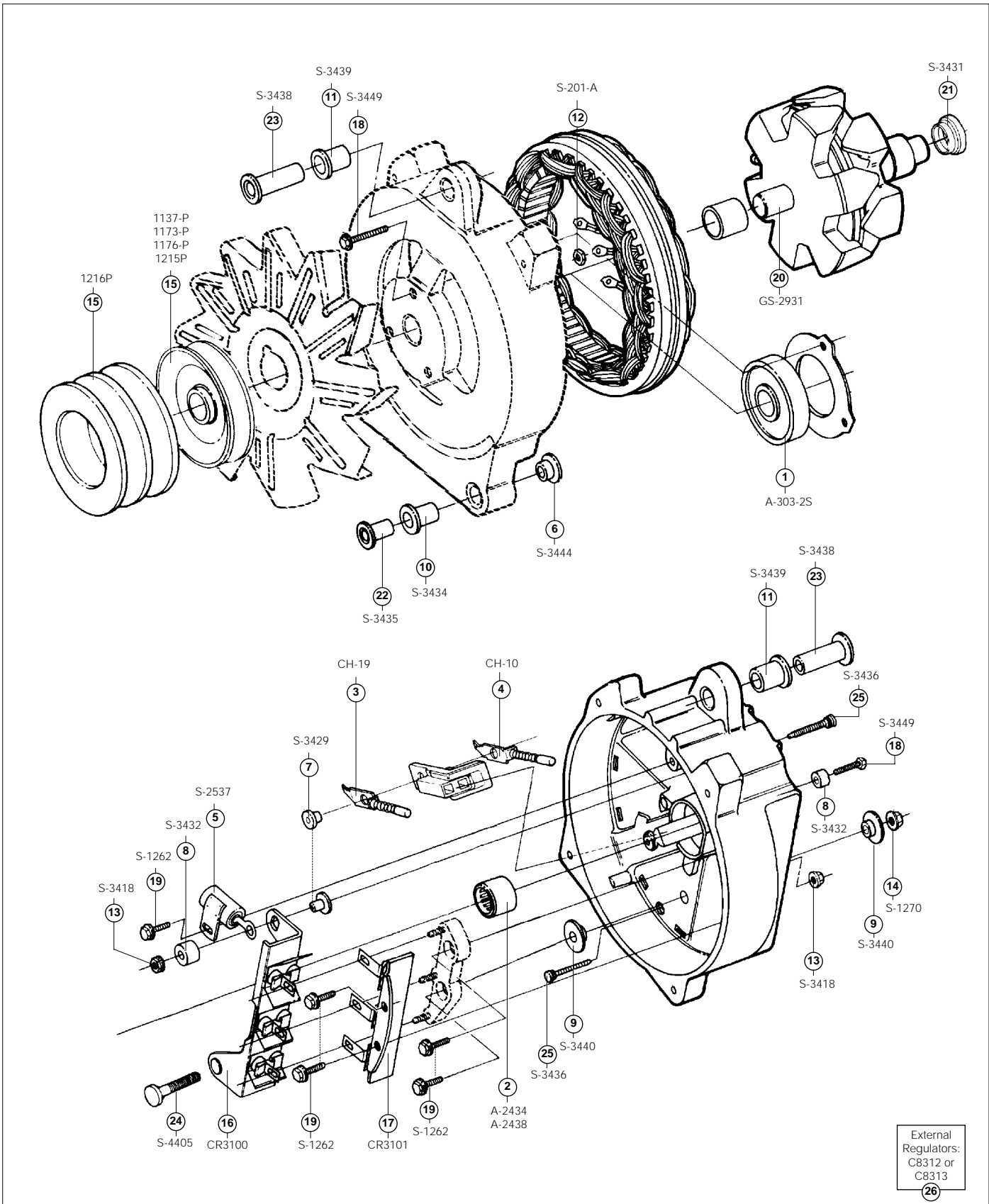


12 Volt to 65 Amp

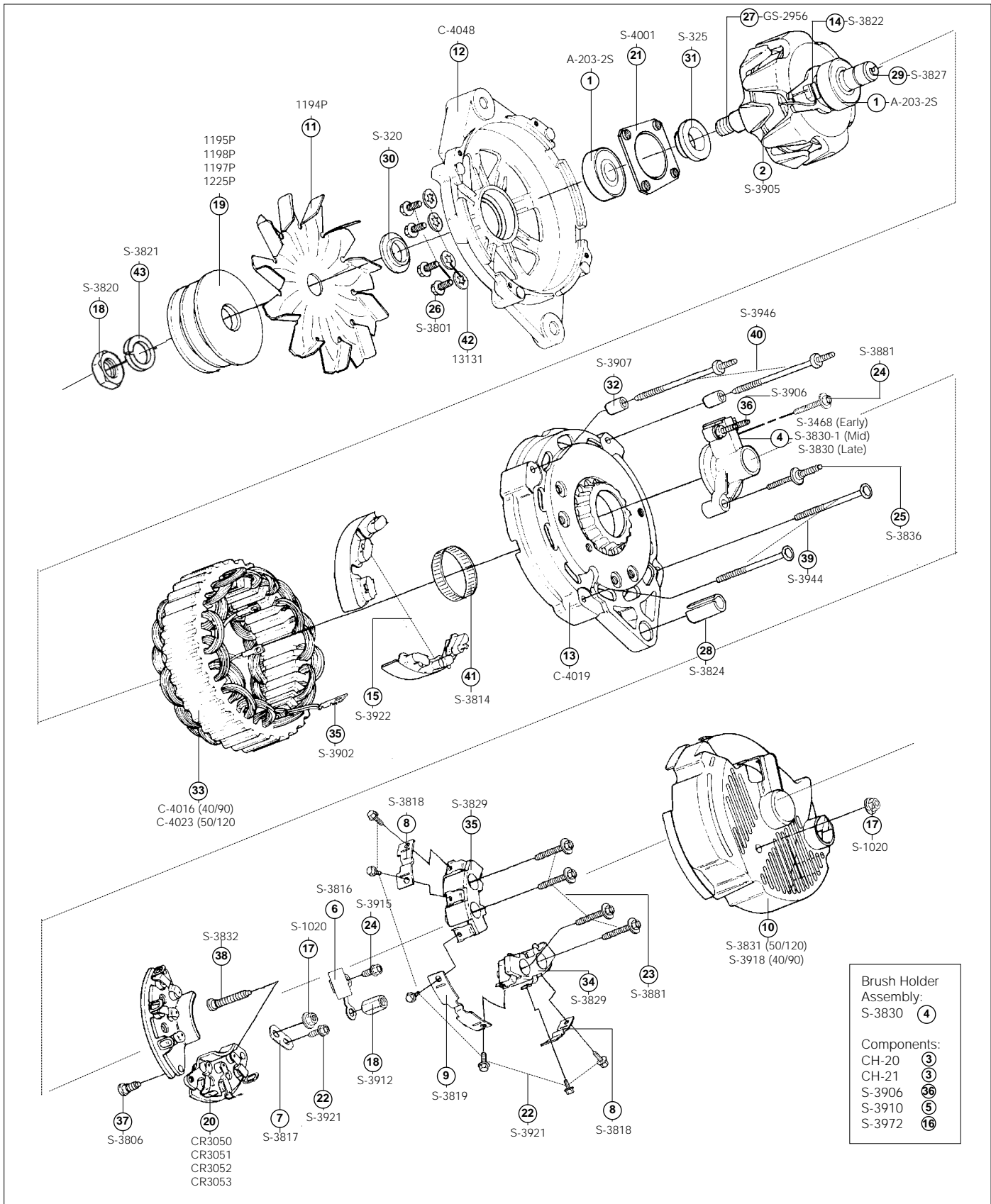


External Regulators:  
C8312 or C8313 (40)

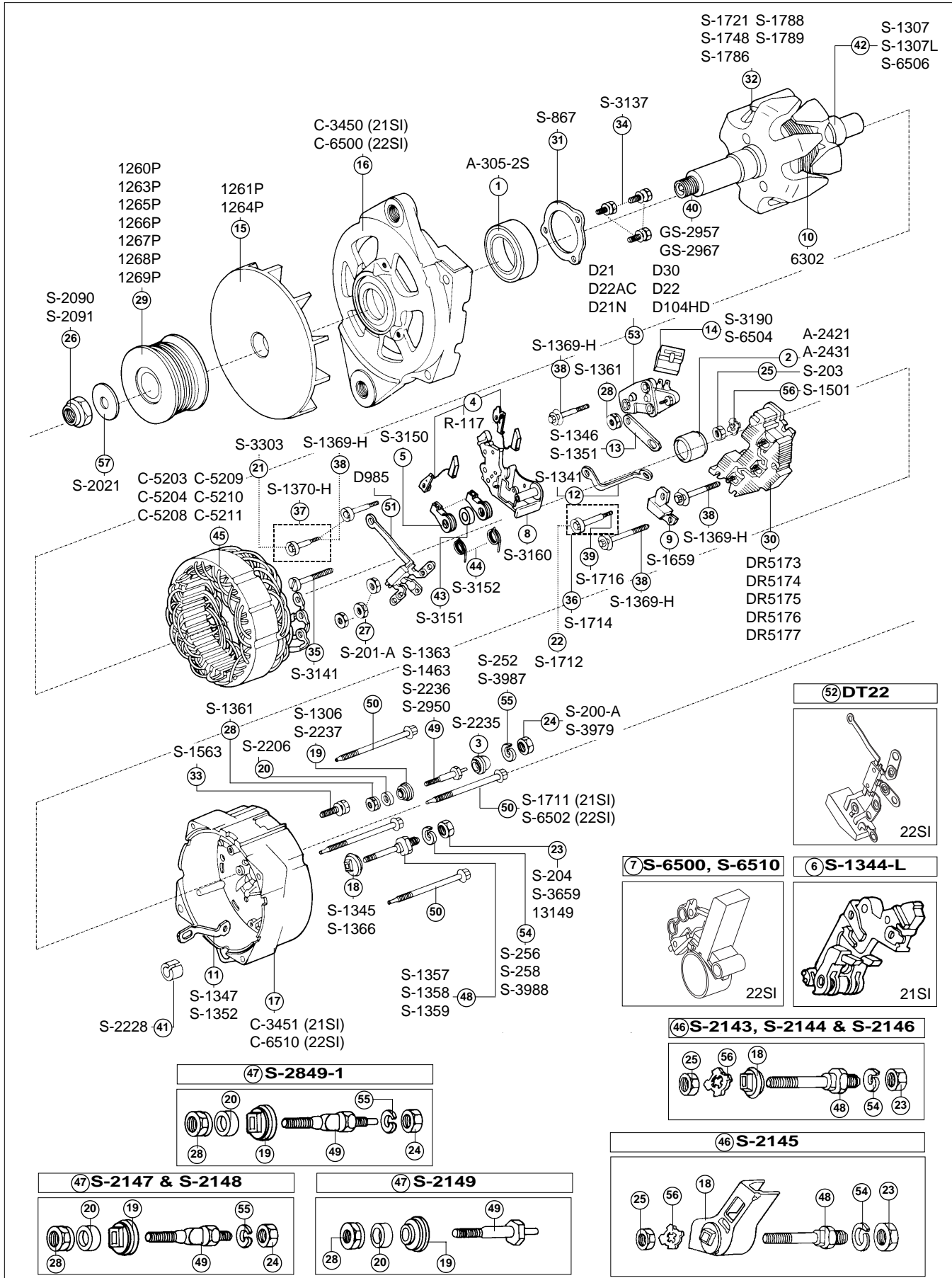






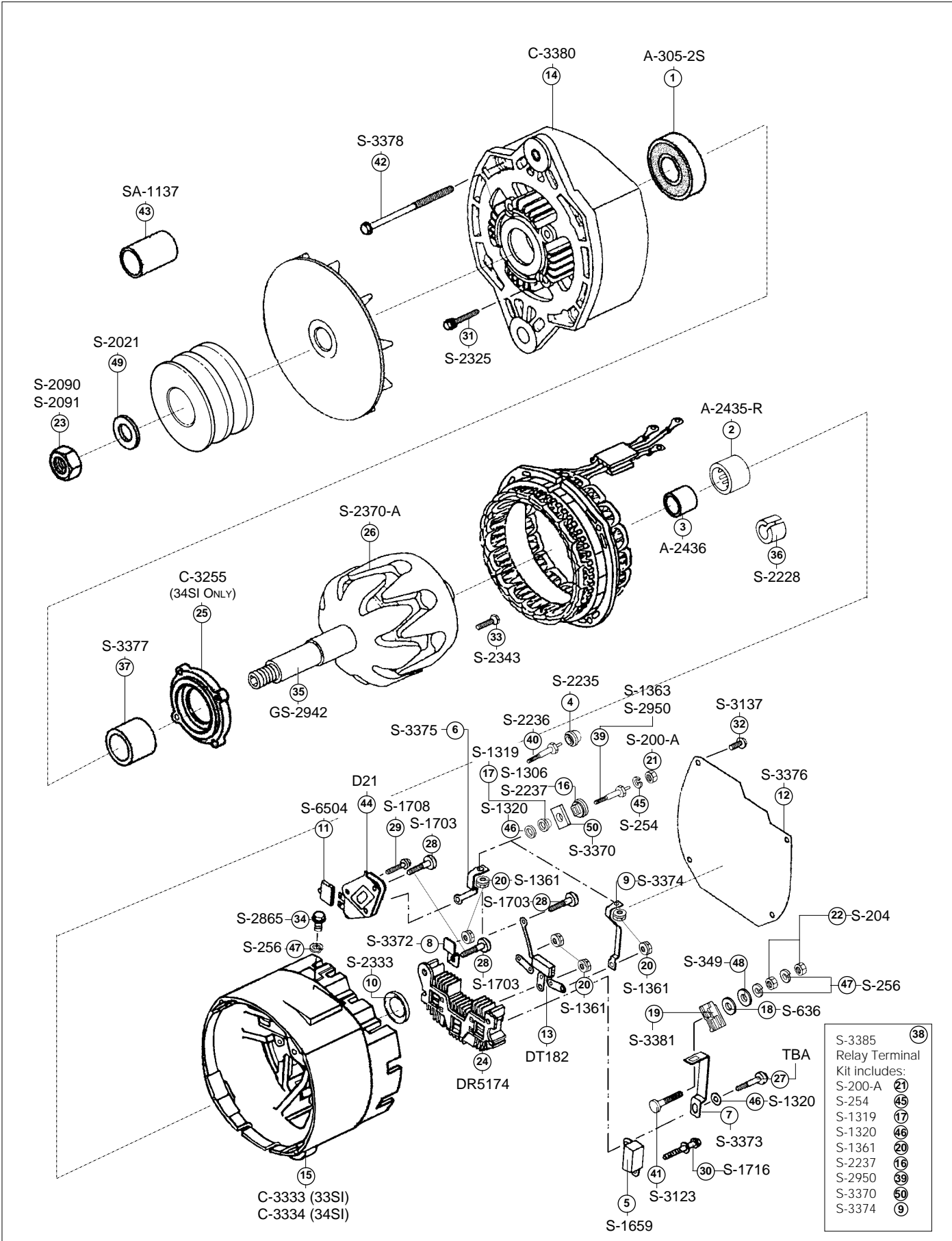




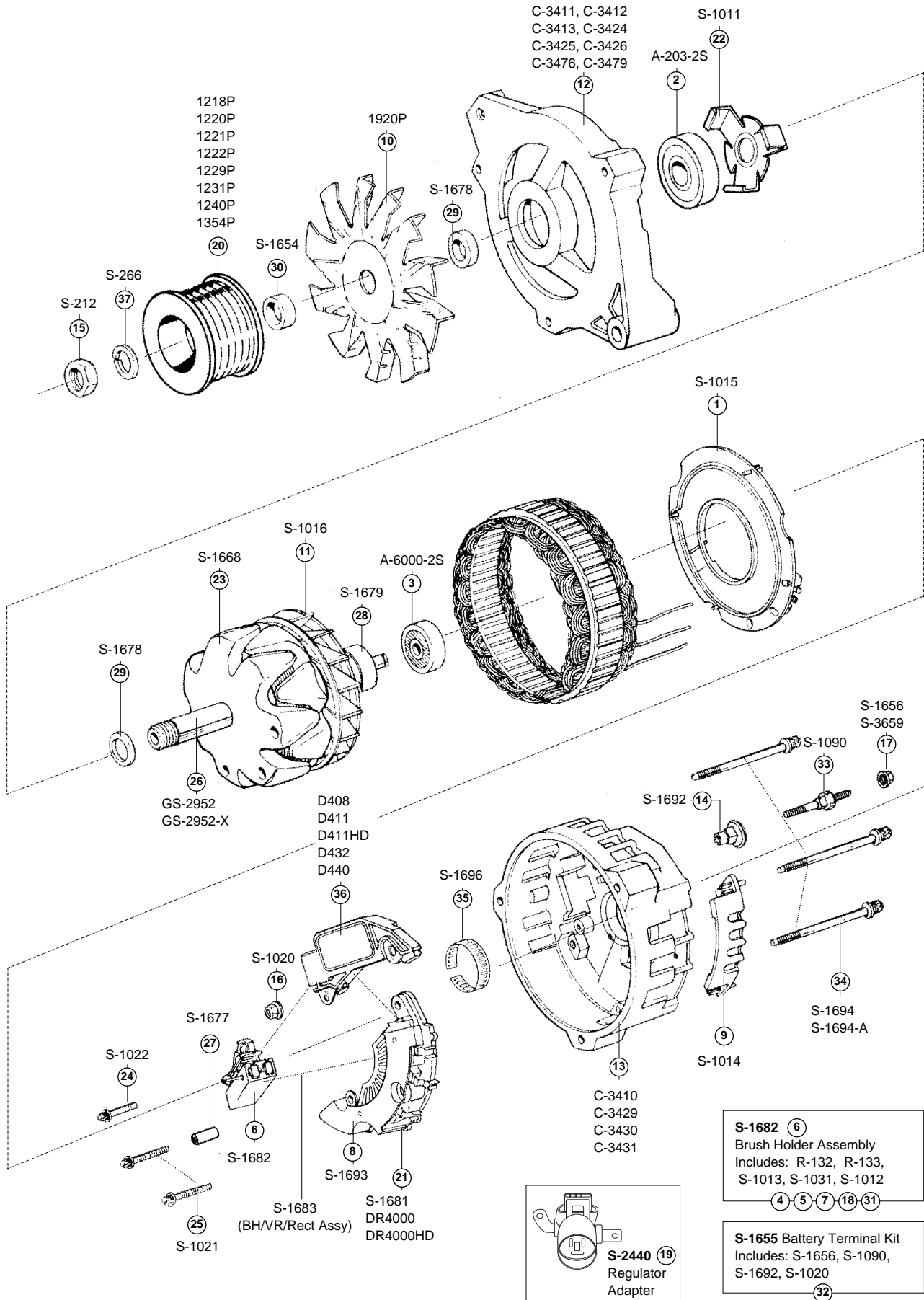


Reference No.	Component	Part Number	Page Number
1	Bearing - Drive End	A-305-2S	2
2	Bearing - Slip Ring End	A-2421, A-2431	6
3	Boot - Relay Terminal	S-2235	115
4	Brush - 21SI	R-117	12
5	Brush Holder (Swing Arm) - 21SI	S-3150	22
6	Brush Holder Assembly - 21SI	S-1344-L	17
7	Brush Holder Assembly - 22SI	S-6500, S-6510	18
8	Brush Holder Body - 21SI	S-3160	22
9	Capacitor - 21SI	S-1659	30
10	Coil Assembly - Rotor Field	6302	98
11	Connector - Relay Terminal	S-1347, S-1352	33
12	Connector - Indicator Terminal	S-1341	33
13	Connector - Regulator	S-1346, S-1351	33
14	Cover - VR Spade Terminal	S-3190, S-6504	44
15	Fan - Cast Aluminum - Bi-directional, CW	1261P, 1264P	48
16	Frame - Drive End	C-3450, C-6500	57
17	Frame - Slip Ring End	C-3451, C-6510	65
18	Insulator - Battery Terminal	S-1345, S-1366	72
19	Insulator - I & R-Terminal - External	S-1306, S-2237	72, 73
20	Insulator - I & R-Terminal - Internal	S-2206	73
21	Insulator (for S-1370-H)	S-3303	73
22	Insulator (for S-1714)	S-1712	73
23	Nut - Battery Terminal - Outer	S-204, others	112-113
24	Nut - Indicator & Relay Terminal - Outer	S-200-A, S-3979	112-113
25	Nut 12-24 - Battery Terminal - Inner	S-203	112-113
26	Nut 5/8-18 - Pulley	S-2090, S-2091	112-113
27	Nut 8-32 - Rectifier Terminal	S-201-A	112
28	Nut 8-32 w/Washer	S-1361	112
29	Pulley	1260P, others	84
30	Rectifier - Bridge	DR5173, others	See Transpo Catalog
31	Retainer - DE Bearing	S-867	8
32	Rotor Assembly	S-1721, others	94
33	Screw 1/4-20 - External Ground	S-1563	110
34	Screw 10-24 - Bearing Retainer Attaching	S-3137	110
35	Screw 8-32 - BH Mounting	S-3141	109
36	Screw 8-32 - Insulated - Capacitor Attaching	S-1714	109
37	Screw 8-32 - Insulated - VR Attaching	S-1370-H	109
38	Screw 8-32 - Rectifier Attaching	S-1369-H	109
39	Screw 8-32 (for S-1714)	S-1716	109
40	Shaft - Rotor	GS-2957, GS-2967	103
41	Sleeve - Mounting Hinge	S-2228	26
42	Slip Ring	S-1307, S-1307L, S-6506	100, 101
43	Spacer - 21SI Brush Holder	S-3151	22
44	Spring - 21SI Brush Holder	S-3152	22
45	Stator Assembly	C-5203, others	106
46	Terminal Kit - Battery	S-2143, others	36
47	Terminal Kit - Indicator & Relay	S-2147, others	37
48	Terminal Post - Battery	S-1357, others	35
49	Terminal Post - Indicator & Relay	S-1363, others	35
50	Thru-Bolt - 10-24 (21SI), 1/4-20 (22SI)	S-1711, S-6502	113
51	Trio - 21SI	D985	See Transpo Catalog
52	Trio with Quick-Start Circuit - 22SI	DT22	See Transpo Catalog
53	Voltage Regulator	D21, others	See Transpo Catalog
54	Washer - Battery Terminal - Split Lock	S-256, others	111-112
55	Washer - I & R Terminal - Split Lock	S-252, S-3987	111-112
56	Washer #10 - Dish Lock	S-1501	111
57	Washer 5/8 - Pulley Nut - Flat Steel	S-2021	112





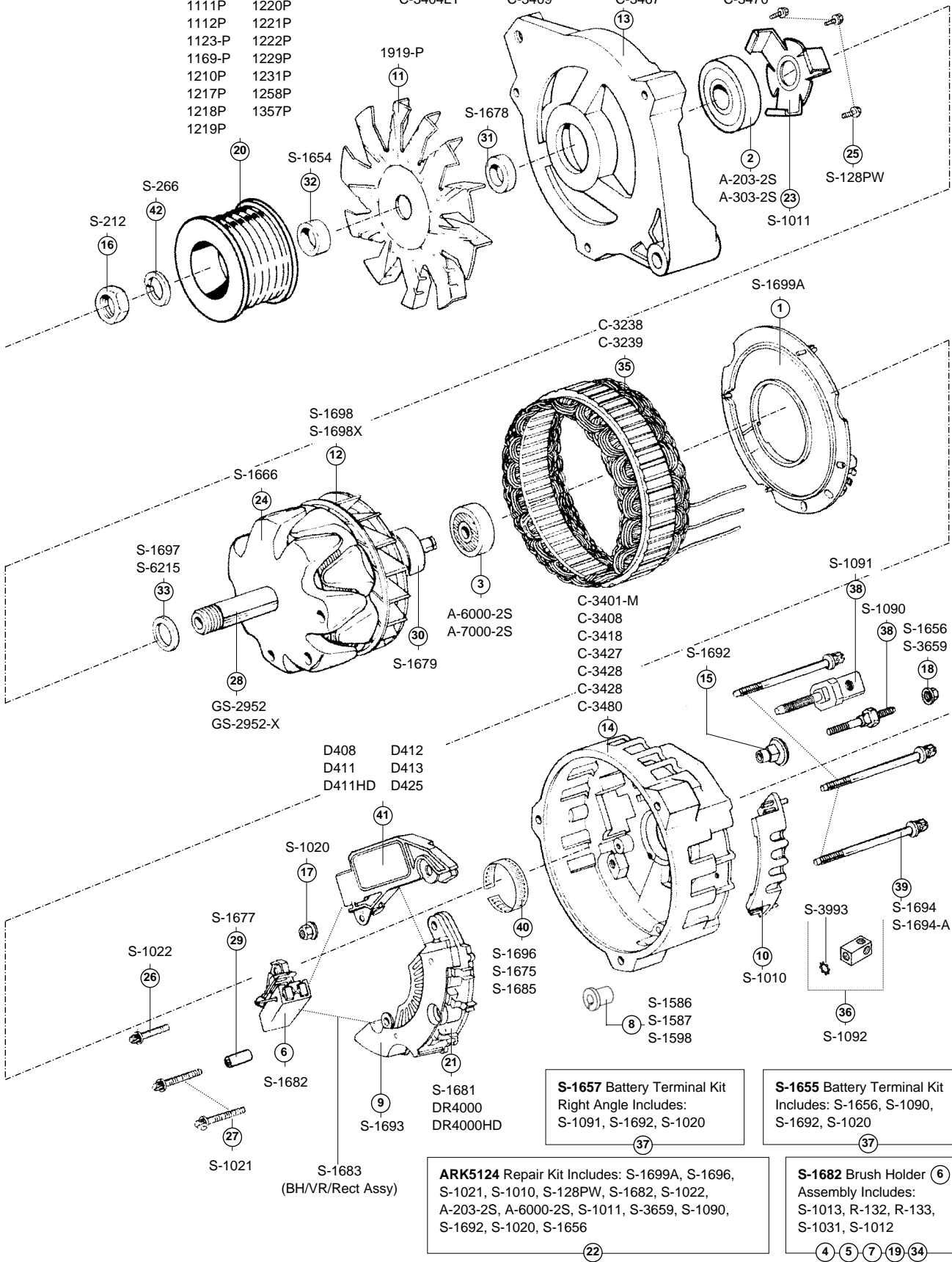






- |          |          |        |          |        |
|----------|----------|--------|----------|--------|
| C-3402   | C-3405   | C-3433 | C-3468   | C-3471 |
| C-3403   | C-3405LT | C-3463 | C-3468LT |        |
| C-3403LT | C-3406   | C-3464 | C-3469   |        |
| C-3404   | C-3406LT | C-3465 | C-3469LT |        |
| C-3404LT | C-3409   | C-3467 | C-3470   |        |

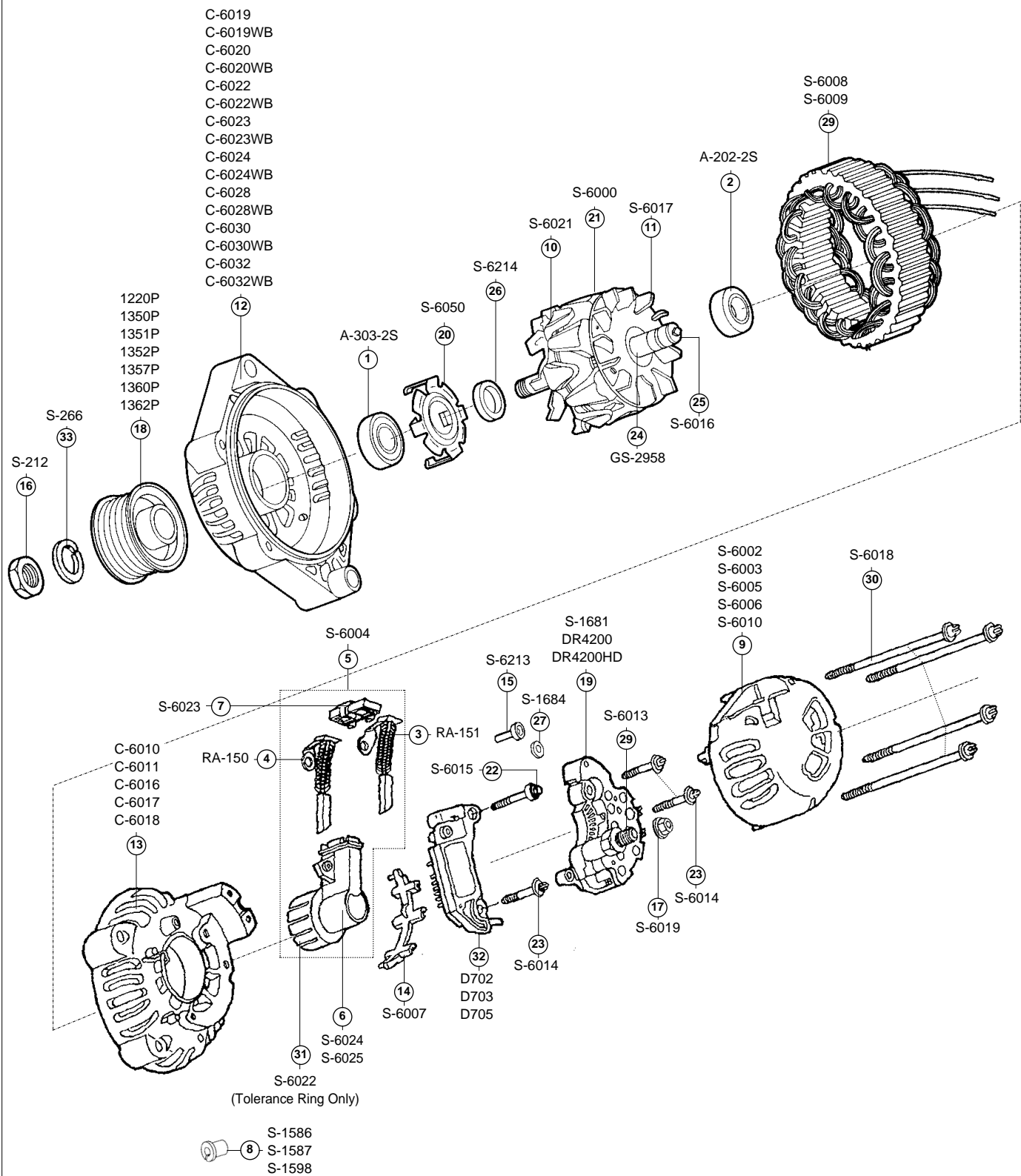
- |        |       |
|--------|-------|
| 1111P  | 1220P |
| 1112P  | 1221P |
| 1123-P | 1222P |
| 1169-P | 1229P |
| 1210P  | 1231P |
| 1217P  | 1258P |
| 1218P  | 1357P |
| 1219P  |       |



**ARK5124 Repair Kit Includes:** S-1699A, S-1696, S-1021, S-1010, S-128PW, S-1682, S-1022, A-203-2S, A-6000-2S, S-1011, S-3659, S-1090, S-1692, S-1020, S-1656

**S-1682 Brush Holder (6) Assembly Includes:** S-1013, R-132, R-133, S-1031, S-1012

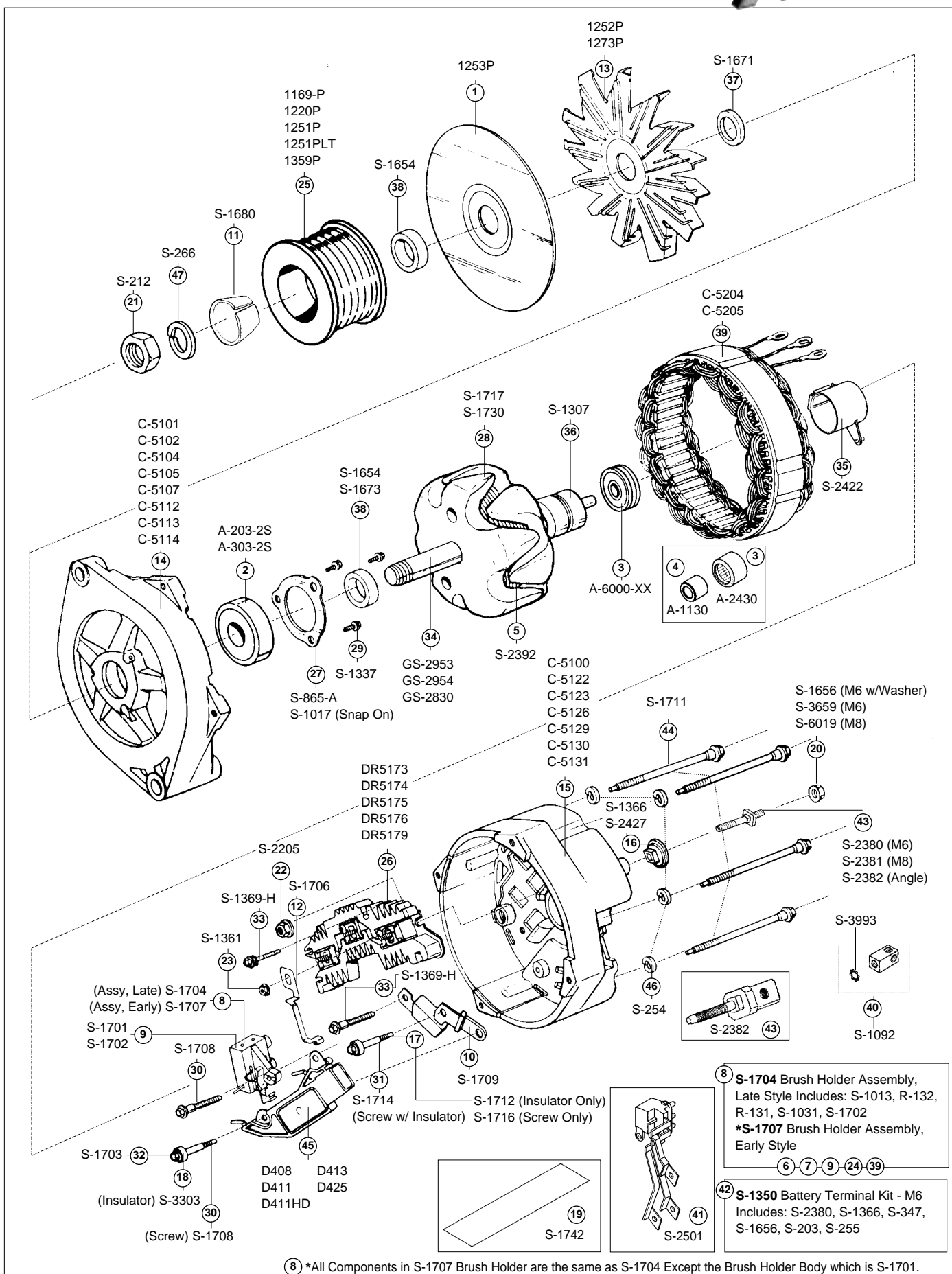




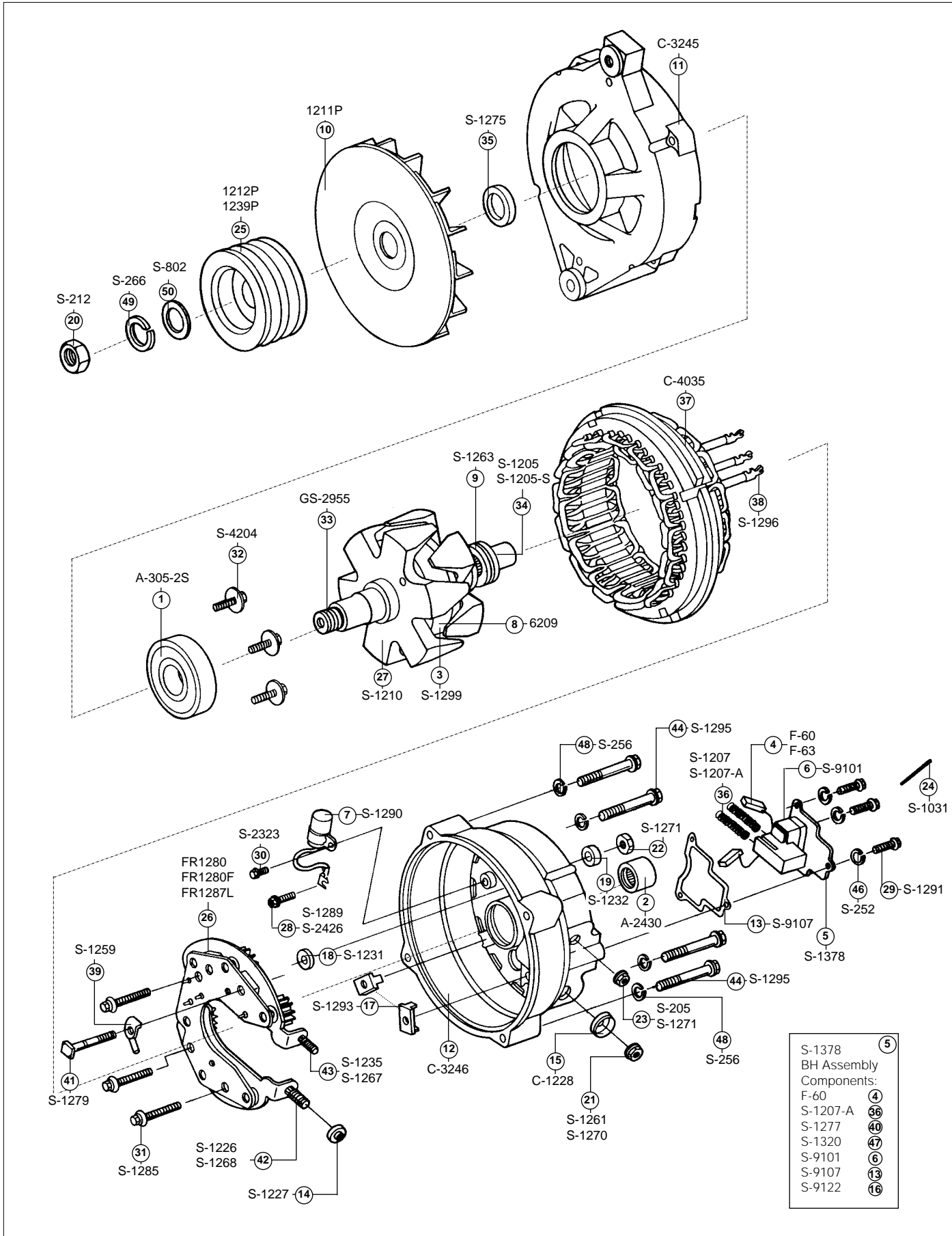
**S-1684** Spacing Washer For Converting  
S-1681 Rectifier For Use In CS130D  
Applications (27)



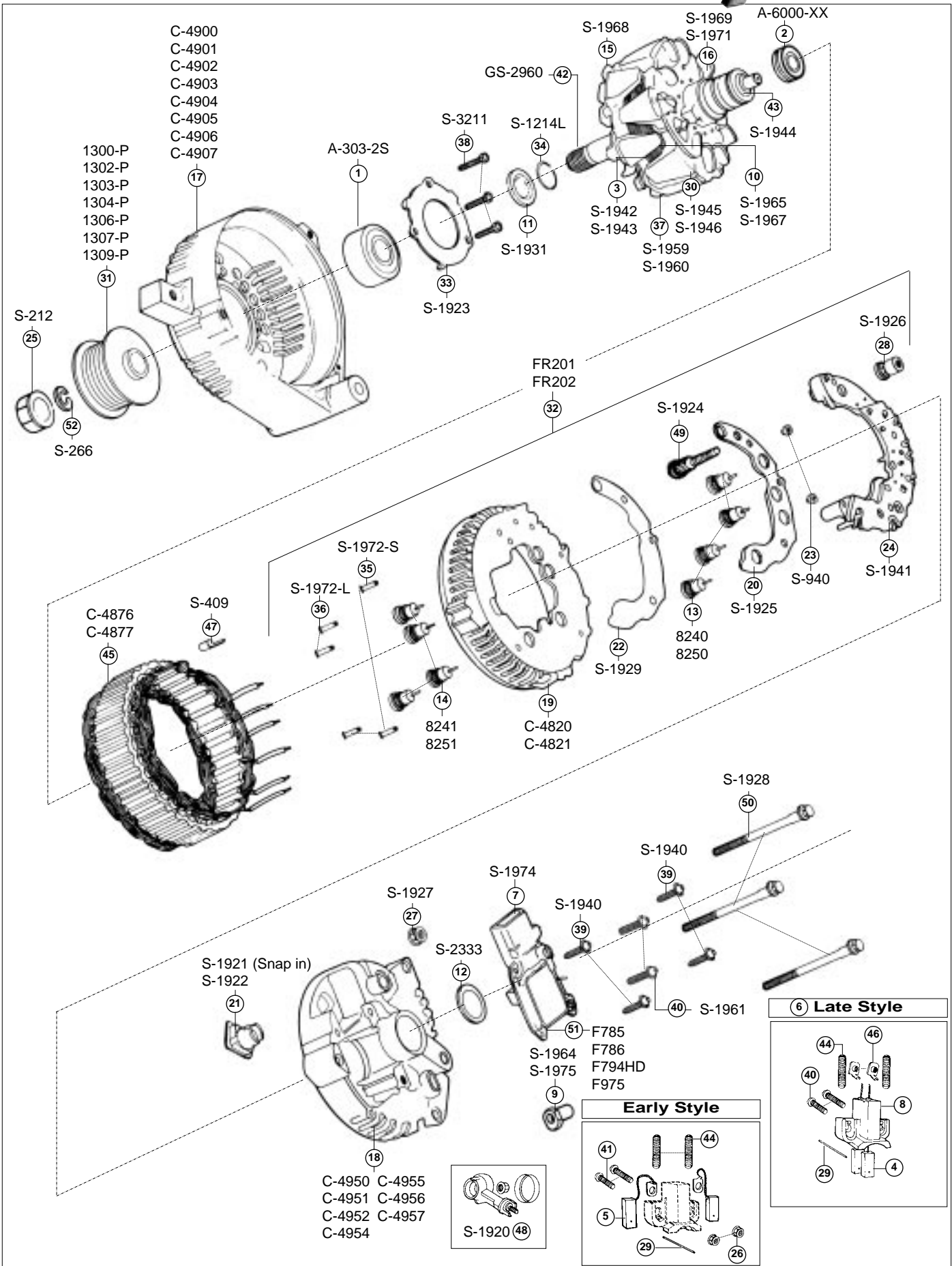




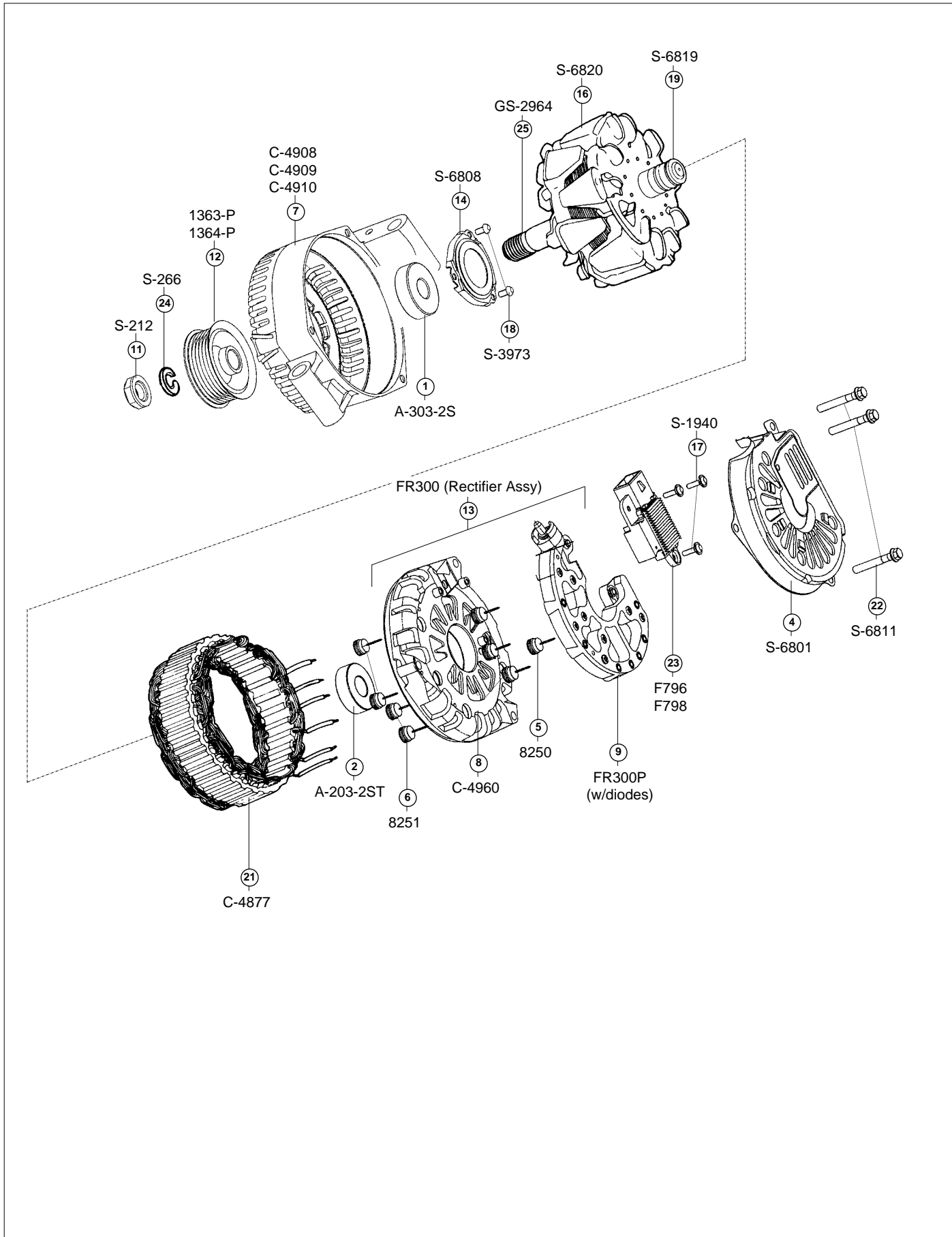






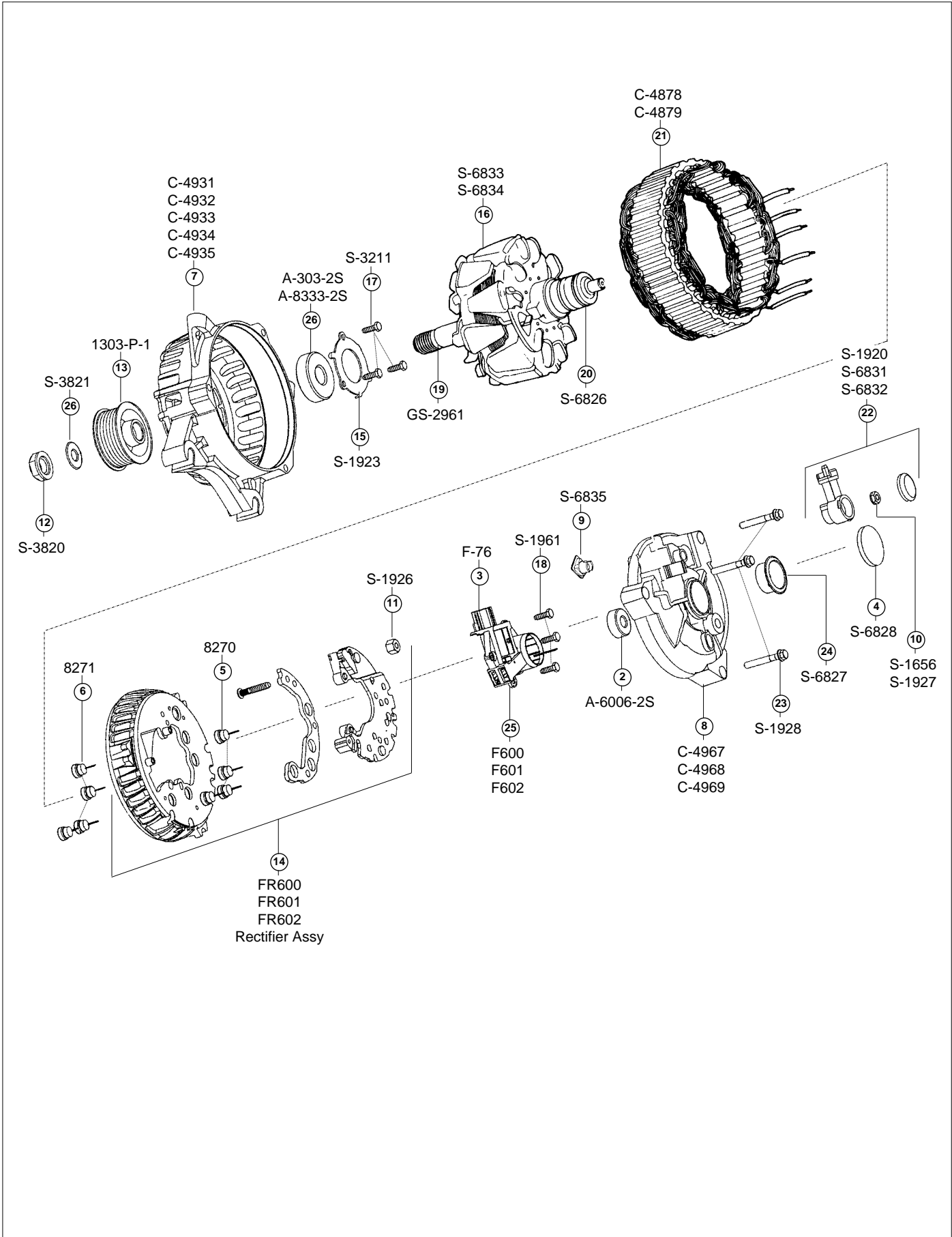














ACE PART No.	PAGE	ACE PART No.	PAGE	ACE PART No.	PAGE	ACE PART No.	PAGE	ACE PART No.	PAGE
1111P.....	81	1246P.....	84	1501P.....	91	C-3212.....	57	C-3472WB.....	54
1112P.....	80	1247P.....	84	1502P.....	90	C-3213.....	57	C-3476.....	50
1113P.....	85	1251P.....	82	1503P.....	91	C-3214.....	57	C-3477.....	54
1114P.....	92	1251PLT.....	82	1504P.....	91	C-3236.....	108	C-3477WB.....	54
1115P.....	92	1252P.....	48	1505P.....	92	C-3238.....	106	C-3478.....	54
1116P.....	92	1253P.....	42	1506P.....	92	C-3239.....	106	C-3478WB.....	54
1117-P.....	84	1254P.....	91	1919-P.....	48	C-3240.....	64	C-3479.....	50
1119P.....	93	1255P.....	93	1920P.....	48	C-3241.....	65	C-3481.....	50
1120P.....	87	1256P.....	89	6209.....	98	C-3245.....	58	C-3708.....	67
1121-P.....	93	1257P.....	88	6302.....	98	C-3246.....	65	C-3741.....	61
1122P.....	87	1258P.....	81	A-200-2S.....	1	C-3247.....	64	C-3793.....	61
1123-P.....	79	1259P.....	85	A-201-2S.....	1	C-3251-T.....	65	C-3794.....	67
1124P.....	91	1260P.....	84	A-202-2S.....	1	C-3255.....	8	C-4016.....	106
1125P.....	91	1261P.....	48	A-203-1S.....	1	C-3259.....	44	C-4019.....	61
1137-P.....	78	1262P.....	87	A-203-2S.....	1	C-3278.....	64	C-4023.....	106
1142-P.....	78	1263P.....	84	A-203-2ST.....	1	C-3293.....	107	C-4035.....	107
1153P.....	78	1264P.....	48	A-204-2S.....	1	C-3299.....	106	C-4037.....	58
1157-P.....	79	1265P.....	83	A-205-2S.....	1	C-3333.....	65	C-4042.....	61
1158-P.....	89	1266P.....	83	A-302-2S.....	1	C-3334.....	65	C-4058.....	58
1169-P.....	82	1267P.....	84	A-303-2S.....	1	C-3380.....	57	C-4058T.....	58
1170-P.....	90	1268P.....	84	A-304-2S.....	2	C-3401-M.....	62	C-4083.....	49
1171-P.....	90	1269P.....	84	A-305-2S.....	2	C-3402.....	50	C-4084L.....	49
1173-P.....	78	1271P.....	83	A-348-2S.....	2	C-3403.....	50	C-4086.....	106
1174-P.....	85	1273P.....	48	A-382-2S.....	2	C-3403LT.....	50	C-4087-A.....	49
1176-P.....	79	1274P.....	87	A-874-2S.....	2	C-3404.....	51	C-4088-A.....	62
1177-P.....	85	1280P.....	88	A-885-2S.....	2	C-3404LT.....	51	C-4820.....	67
1182P.....	91	1281P.....	88	A-1130.....	6	C-3405.....	51	C-4821.....	67
1183P.....	90	1282P.....	88	A-2421.....	6	C-3405LT.....	51	C-4876.....	107
1184P.....	90	1283P.....	88	A-2429.....	6	C-3406.....	51	C-4877.....	108
1185P.....	91	1284P.....	89	A-2430.....	6	C-3406LT.....	51	C-4878.....	108
1187P.....	92	1285P.....	89	A-2431.....	6	C-3408.....	62	C-4879.....	108
1188P.....	91	1286P.....	88	A-2434.....	6	C-3409.....	52	C-4900.....	58
1189-P.....	78	1287P.....	78	A-2435-R.....	6	C-3410.....	62	C-4901.....	58
1194P.....	48	1288P.....	93	A-2436.....	6	C-3411.....	49	C-4902.....	59
1195P.....	79	1289P.....	88	A-2438.....	6	C-3412.....	49	C-4903.....	59
1197P.....	79	1291P.....	79	A-3389.....	7	C-3413.....	49	C-4904.....	59
1198P.....	79	1294P.....	87	A-5201-2S.....	2	C-3418.....	62	C-4905.....	59
1206-P.....	78	1295P.....	90	A-5202-2S.....	2	C-3425.....	49	C-4906.....	59
1207P.....	92	1296P.....	90	A-5203-2S.....	2	C-3426.....	50	C-4907.....	59
1210P.....	80	1297P.....	90	A-5205-2S.....	3	C-3427.....	62	C-4908.....	60
1211P.....	48	1300-P.....	85	A-6000-2S.....	3	C-3428.....	63	C-4909.....	60
1212P.....	86	1302-P.....	85	A-6000-XX.....	3	C-3429.....	62	C-4910.....	60
1215P.....	79	1303-P.....	85	A-6001-2S.....	3	C-3430.....	62	C-4920.....	60
1216P.....	78	1303-P-1.....	87	A-6002-2S.....	3	C-3431.....	62	C-4922.....	60
1217P.....	81	1304-P.....	86	A-6003-2S.....	3	C-3433.....	52	C-4923.....	60
1218P.....	81	1306-P.....	86	A-6006-2S.....	3	C-3434.....	49	C-4924.....	60
1219P.....	82	1307-P.....	86	A-6008-2S.....	3	C-3450.....	57	C-4931.....	60
1220P.....	82	1309-P.....	85	A-6107-2S.....	3	C-3451.....	65	C-4932.....	61
1221P.....	81	1311P.....	89	A-6200-2S.....	4	C-3453.....	65	C-4933.....	61
1222P.....	80	1312P.....	88	A-6403.....	4	C-3463.....	52	C-4934.....	61
1223P.....	83	1313P.....	89	A-6900-2S.....	4	C-3463WB.....	52	C-4935.....	61
1225P.....	79	1314P.....	89	A-6901-2S.....	4	C-3464.....	52	C-4950.....	65
1227P.....	80	1316P.....	89	A-6905.....	4	C-3464WB.....	52	C-4951.....	66
1228P.....	80	1317P.....	88	A-6906.....	4	C-3465.....	52	C-4952.....	66
1229P.....	81	1318P.....	89	A-6941.....	4	C-3465WB.....	52	C-4954.....	66
1230P.....	84	1319P.....	78	A-6942-2S.....	4	C-3467.....	52	C-4955.....	66
1231P.....	80	1350P.....	82	A-6942-2S.....	4	C-3467WB.....	52	C-4956.....	66
1232P.....	80	1351P.....	82	A-6945.....	5	C-3468.....	53	C-4957.....	66
1233P.....	92	1352P.....	82	A-6950-2S.....	5	C-3468LT.....	53	C-4960.....	67
1234P.....	83	1354P.....	81	A-6959.....	5	C-3468LTWB.....	53	C-4967.....	67
1235P.....	90	1357P.....	81	A-7000-2S.....	5	C-3468WB.....	53	C-4968.....	67
1236P.....	80	1359P.....	83	A-8002-2S.....	5	C-3469.....	53	C-4969.....	67
1237P.....	80	1360P.....	82	A-8333-2S.....	5	C-3469LT.....	53	C-5100.....	63
1238P.....	85	1362P.....	81	A-9000-2S.....	5	C-3469LTWB.....	53	C-5101.....	56
1239P.....	86	1363-P.....	87	A-9001-2S.....	5	C-3469WB.....	53	C-5102.....	56
1240P.....	83	1364-P.....	87	A-9002-2S.....	5	C-3470.....	53	C-5104.....	56
1241P.....	83	1365-P.....	86	BT-400.....	24	C-3470WB.....	53	C-5104WB.....	56
1242P.....	83	1367-P.....	86	C-3098-U.....	61	C-3471.....	53	C-5105.....	56
1243P.....	92	1368-P.....	86	C-3099.....	49	C-3471WB.....	53	C-5105WB.....	56
1244P.....	87	1369-P.....	86	C-3103.....	44	C-3472.....	54	C-5107.....	56

ACE PART No.	PAGE	ACE PART No.	PAGE	ACE PART No.	PAGE	ACE PART No.	PAGE	ACE PART No.	PAGE
C-5107WB.....	56	F-67.....	13	S-1205-S.....	101	S-1671.....	27	S-2235.....	115
C-5112.....	56	F-68.....	13	S-1207.....	24	S-1673.....	27	S-2236.....	34
C-5113.....	56	F-76.....	13	S-1210.....	96	S-1675.....	9	S-2237.....	73
C-5114.....	57	GS-2830.....	102	S-1214L.....	105	S-1677.....	28	S-2252.....	98
C-5122.....	63	GS-2830-X.....	102	S-1226.....	38	S-1678.....	27	S-2333.....	43
C-5123.....	64	GS-2869.....	102	S-1228.....	74	S-1679.....	100	S-2333.....	44
C-5126.....	64	GS-2891.....	104	S-1231.....	74	S-1680.....	28	S-2370-A.....	95
C-5129.....	64	GS-2931.....	102	S-1232.....	75	S-1682.....	18	S-2380.....	34
C-5130.....	64	GS-2934.....	102	S-1235.....	38	S-1684.....	28	S-2381.....	35
C-5131.....	64	GS-2942.....	102	S-1247.....	96	S-1685.....	9	S-2382.....	36
C-5203.....	106	GS-2950.....	103	S-1259.....	115	S-1692.....	73	S-2383.....	23
C-5204.....	107	GS-2952.....	103	S-1263.....	105	S-1693.....	43	S-2384E.....	21
C-5205.....	107	GS-2952-X.....	103	S-1267.....	38	S-1696.....	9	S-2386.....	18
C-5208.....	107	GS-2953.....	103	S-1268.....	38	S-1697.....	27	S-2392.....	98
C-5209.....	107	GS-2954.....	103	S-1275.....	28	S-1698.....	99	S-2412.....	21
C-5210.....	107	GS-2954-X.....	103	S-1277.....	24	S-1698.....	99	S-2413.....	100
C-5211.....	107	GS-2955.....	103	S-1277.....	38	S-1698X.....	99	S-2420.....	70
C-6010.....	63	GS-2956.....	102	S-1279.....	38	S-1698X.....	99	S-2421.....	71
C-6011.....	63	GS-2957.....	103	S-1284-2.....	101	S-1699A.....	42	S-2422.....	43
C-6016.....	63	GS-2957-C1.....	103	S-1290.....	31	S-1701.....	21	S-2424.....	71
C-6017.....	63	GS-2957-C2.....	103	S-1293.....	75	S-1702.....	21	S-2427.....	73
C-6018.....	63	GS-2958.....	103	S-1299.....	98	S-1704.....	18	S-2434.....	8
C-6019.....	54	GS-2960.....	103	S-1304.....	115	S-1706.....	33	S-2443.....	94
C-6019WB.....	54	GS-2960-X.....	103	S-1306.....	72	S-1707.....	18	S-2456.....	30
C-6020.....	54	GS-2961.....	104	S-1307.....	100	S-1709.....	30	S-2457.....	30
C-6020WB.....	54	GS-2963.....	104	S-1307L.....	100	S-1712.....	73	S-2531.....	21
C-6021.....	54	GS-2964.....	104	S-1319.....	72	S-1717.....	95	S-2537.....	30
C-6021WB.....	54	GS-2967.....	103	S-1341.....	33	S-1718.....	104	S-2538.....	71
C-6022.....	55	GS-3000.....	102	S-1344-L.....	17	S-1721.....	94	S-2539.....	32
C-6022WB.....	55	GS-3270.....	104	S-1345.....	72	S-1730.....	95	S-2541.....	32
C-6023.....	55	HA-146.....	14	S-1346.....	33	S-1742.....	73	S-2542.....	71
C-6023WB.....	55	HA-147.....	14	S-1347.....	33	S-1748.....	94	S-2544.....	71
C-6024.....	55	HA-148.....	14	S-1349.....	33	S-1786.....	94	S-2546.....	71
C-6024WB.....	55	HA-149.....	14	S-1350.....	36	S-1788.....	95	S-2610.....	104
C-6025.....	55	LU-49.....	14	S-1351.....	33	S-1789.....	95	S-2631.....	101
C-6025WB.....	55	LU-50.....	14	S-1352.....	33	S-1920.....	39	S-2709.....	26
C-6028.....	55	LU-665.....	15	S-1357.....	35	S-1920-2.....	44	S-2709.....	104
C-6028WB.....	55	MA-2.....	15	S-1358.....	35	S-1921.....	75	S-2828.....	71
C-6030.....	55	MA-970.....	15	S-1359.....	35	S-1922.....	75	S-2849-1.....	37
C-6030WB.....	55	PR-89.....	16	S-1362.....	22	S-1923.....	9	S-2950.....	35
C-6032.....	55	R-117.....	12	S-1363.....	35	S-1924.....	39	S-3118.....	34
C-6032WB.....	55	R-131.....	12	S-1366.....	72	S-1929.....	75	S-3123.....	36
C-6500.....	57	R-132.....	12	S-1378.....	18	S-1930.....	19	S-3141.....	23
C-6510.....	65	R-133.....	13	S-1381.....	94	S-1931.....	28	S-3150.....	22
CH-1-R.....	11	RA-150.....	13	S-1385.....	94	S-1942.....	98	S-3151.....	22
CH-8-R.....	11	RA-151.....	13	S-1393.....	94	S-1943.....	98	S-3152.....	22
CH-9-R.....	11	RK-1130.....	7	S-1413.....	27	S-1944.....	101	S-3159.....	43
CH-10.....	11	S-128PW.....	9	S-1417.....	101	S-1945.....	100	S-3160.....	22
CH-15.....	11	S-320.....	25	S-1424SL.....	31	S-1946.....	100	S-3286.....	30
CH-16.....	12	S-325.....	25	S-1454.....	39	S-1959.....	96	S-3287.....	31
CH-17.....	12	S-636.....	72	S-1463.....	35	S-1960.....	96	S-3303.....	73
CH-18.....	12	S-799.....	26	S-1465.....	24	S-1962.....	23	S-3315.....	73
CH-19.....	12	S-801S.....	26	S-1480.....	28	S-1964.....	28	S-3323.....	73
CH-20.....	12	S-865-A.....	8	S-1489.....	105	S-1965.....	98	S-3372.....	34
CH-21.....	12	S-867.....	8	S-1492.....	97	S-1967.....	99	S-3373.....	34
DA-55.....	13	S-940.....	74	S-1505.....	44	S-1968.....	99	S-3374.....	34
DA-57.....	16	S-1010.....	42	S-1586.....	26	S-1969.....	99	S-3375.....	34
DA-58.....	14	S-1011.....	8	S-1587.....	26	S-1971.....	99	S-3376.....	44
DA-59.....	14	S-1012.....	21	S-1588.....	26	S-1974.....	19	S-3377.....	27
DA-60.....	16	S-1013.....	22	S-1598.....	26	S-1975.....	28	S-3381.....	74
DA-61.....	16	S-1014.....	42	S-1629.....	75	S-2143.....	36	S-3385.....	38
DA-62.....	16	S-1015.....	42	S-1645.....	102	S-2144.....	36	S-3429.....	71
DA-63.....	16	S-1016.....	99	S-1654.....	27	S-2145.....	37	S-3431.....	42
DA-66.....	15	S-1017.....	8	S-1655.....	36	S-2146.....	37	S-3431.....	105
DA-85.....	14	S-1031.....	23	S-1657.....	36	S-2147.....	37	S-3432.....	71
DA-86.....	15	S-1090.....	34	S-1659.....	30	S-2148.....	37	S-3434.....	25
DA-87.....	15	S-1091.....	35	S-1660.....	94	S-2149.....	37	S-3435.....	25
DA-102.....	15	S-1092.....	35	S-1663.....	33	S-2206.....	73	S-3436.....	32
F-60.....	13	S-1110.....	42	S-1666.....	95	S-2215.....	34	S-3438.....	25
F-63.....	13	S-1195.....	72	S-1668.....	95	S-2228.....	26	S-3439.....	25

ACE PART No.	PAGE	ACE PART No.	PAGE	ACE PART No.	PAGE	ACE PART No.	PAGE	ACE PART No.	PAGE
S-3440.....	72	S-4204.....	9	S-5367-1.....	24	S-6003.....	43	S-6834.....	97
S-3441.....	32	S-4401.....	21	S-5367-X.....	19	S-6004.....	18	S-6835.....	75
S-3444.....	25	S-4405.....	33	S-5387.....	19	S-6005.....	43	S-7000.....	45
S-3468.....	17	S-4532.....	76	S-5421.....	45	S-6006.....	43	S-7001.....	45
S-3806.....	32	S-4536.....	76	S-5502.....	74	S-6007.....	74	S-7002.....	45
S-3814.....	8	S-4537.....	76	S-5503.....	74	S-6008.....	106	S-7003.....	45
S-3816.....	30	S-4539.....	76	S-5558.....	10	S-6009.....	106	S-7005.....	77
S-3817.....	32	S-4540.....	76	S-5601.....	20	S-6010.....	43	S-7006.....	77
S-3818.....	32	S-4969.....	45	S-5603.....	20	S-6013.....	36	S-7007.....	46
S-3819.....	32	S-4979.....	10	S-5636.....	77	S-6016.....	101	S-7008.....	46
S-3822.....	104	S-4980.....	39	S-5660.....	40	S-6017.....	99	S-7009.....	46
S-3824.....	25	S-4984.....	76	S-5660.....	40	S-6017.....	99	S-7011.....	46
S-3826.....	102	S-5004.....	19	S-5661.....	40	S-6021.....	99	S-7012.....	46
S-3827.....	100	S-5022.....	10	S-5661.....	40	S-6021.....	99	S-7013.....	46
S-3829.....	72	S-5024.....	10	S-5662.....	40	S-6022.....	9	S-7015.....	46
S-3830.....	17	S-5027.....	29	S-5662.....	40	S-6023.....	22	S-7017.....	47
S-3830-1.....	17	S-5031.....	76	S-5666.....	40	S-6024.....	22	S-7019.....	47
S-3832.....	32	S-5038.....	76	S-5667.....	40	S-6025.....	22	S-7022.....	47
S-3835.....	19	S-5040.....	77	S-5668.....	40	S-6030.....	18	S-7026.....	47
S-3837.....	45	S-5043.....	77	S-5671.....	40	S-6050.....	9	S-7045.....	31
S-3844.....	28	S-5078.....	10	S-5672.....	40	S-6213.....	74	S-7046.....	31
S-3874.....	75	S-5174.....	10	S-5681.....	20	S-6214.....	27	S-7170.....	31
S-3902.....	115	S-5246.....	39	S-5682.....	70	S-6215.....	27	S-9101.....	23
S-3905.....	98	S-5247.....	39	S-5683.....	70	S-6500.....	18	S-9105.....	23
S-3906.....	21	S-5248.....	39	S-5685.....	70	S-6504.....	44	S-9106.....	23
S-3907.....	26	S-5249.....	40	S-5686.....	70	S-6506.....	101	S-9107.....	23
S-3910.....	21	S-5280.....	19	S-5687.....	70	S-6510.....	18	S-9122.....	23
S-3918.....	42	S-5283.....	45	S-5688.....	70	S-6801.....	44	S-9122.....	75
S-3920.....	39	S-5340.....	17	S-5689.....	70	S-6808.....	9	SA-1137.....	115
S-3922.....	72	S-5350-A.....	30	S-5696.....	70	S-6819.....	101	WA-132.....	11
S-3926.....	41	S-5352.....	30	S-5884.....	100	S-6820.....	96	WA-132-S.....	11
S-3940.....	17	S-5357.....	100	S-5888.....	17	S-6826.....	101	WA-145.....	11
S-4001.....	8	S-5358.....	100	S-5889.....	17	S-6827.....	10	WA-17.....	11
S-4085.....	25	S-5366.....	31	S-6000.....	95	S-6828.....	44	ZA-93.....	15
S-4087.....	8	S-5367.....	19	S-6002.....	43	S-6833.....	96	ZA-94.....	15