



Power that keeps the world moving!

alternators
regulators
isolators
accessories



Power that keeps the world moving!

HD Power Solutions, Inc. is an industry-recognized leader in the manufacturing of electrical components for a variety of vehicles, including automotive, marine, recreational, transit, and emergency service. Every product created at HDPSI is engineered and heat-chamber tested to withstand extreme amounts of heat, pressure, and strain. Detailed product information, customer care, and warranty information can be found in this introductory product information catalog.

From their centrally-located manufacturing plant in Fort Worth, Texas, HD Power Solutions, Inc. managers and staff work closely with OEMs, as well as a strong warehouse distributor network, for widespread product availability throughout the United States, Canada, and other countries. Dedicated to developing valuable relations through a commitment to quality, customer care, and competitive pricing, HDPSI looks forward to working with you in the future.

TABLE OF CONTENTS



4 **ALTERNATORS**



16 **VOLTAGE REGULATORS**



18 **ISOLATORS**



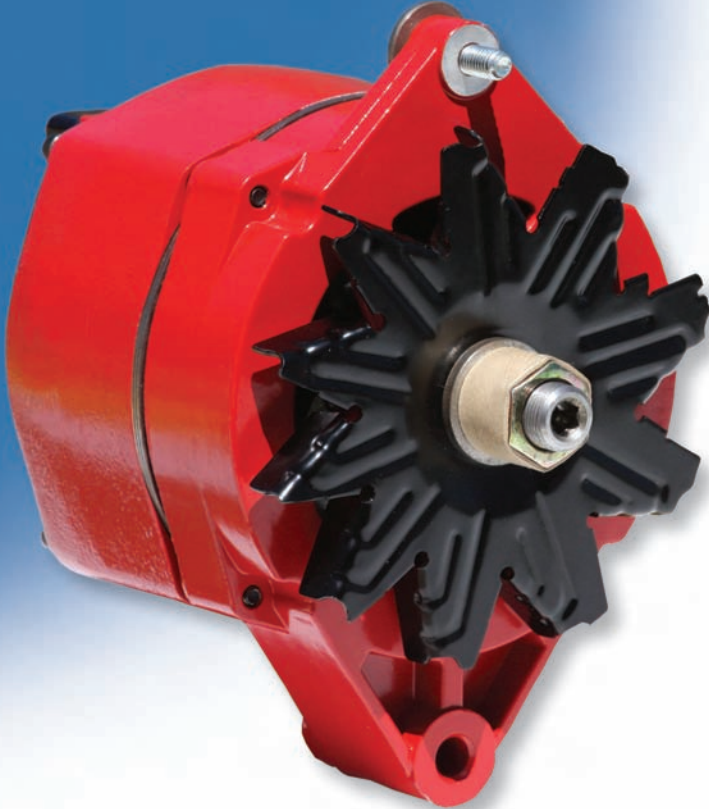
20 **REPLACEMENT PARTS**

PRICING STRUCTURE 24

STANDARD LIMITED WARRANTY 25

WARRANTY PROCEDURE AND RESTOCKING POLICY 26





Alternator above is a 23-121 120-amp, 12-volt ignition protected (UL listed) with a 2" spindle mount.

POWERLINE 23HD Series Automobile and Marine Alternators

The automobile version of the 23HD series alternators are made of standard aluminum and are designed and tested to withstand higher under-hood temperatures, and are for vehicles requiring higher output at idle and at highway speeds. This series of alternators is ideal for small engine and car audio applications.

The marine ignition protected 23HD series alternators are powder-coated for a long-lasting, corrosion-resistant finish. Alternators with spindle mounts are available in 3/8", 7/16", and 1/2" mounting bolts, as well as dual-foot mounts in 8mm and 10mm mounting bolts.

APPLICATIONS:

- All GM automobiles 1960 - 1985 and Ford 1960 - 1985.
- For marine applications, Yanmar, Perkins, Westerbeke, and Universal diesel engines.
- For more application information call HDPSI at (800) 443-9394 or go to www.hdpsi.com/applicationguide on the web for details.

SPECIFICATIONS:

- Weight: 12 lbs.

WARRANTY:

- 12-month limited warranty

FEATURES:

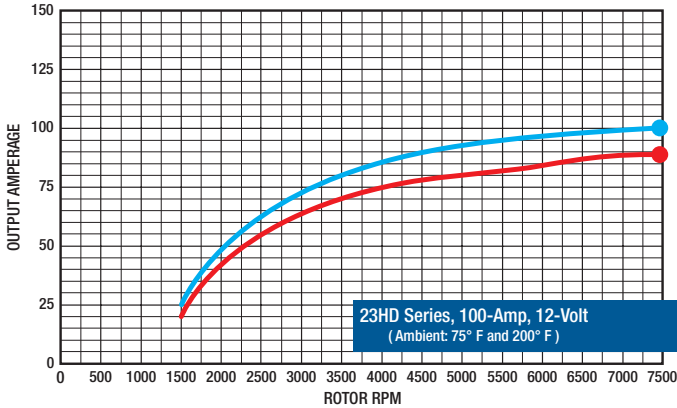
- Mount types available: 1" and 2" spindle and dual-foot
- Rated at 120 amps, 12 volts
- Heavy-duty press fit, 50-amp diodes
- Uses standard (10-170) or three-step (10-215) external regulators
- *POWERLINE* custom-braided wiring harness available
- 5/16" positive and negative output terminals
- Hand-wound, high-output stator
- Heavy-duty, dual-plane balanced rotor
- Heavy-duty, high-speed bearings with high-temperature grease
- Long-life brushes
- Marine models comply with US Coast Guard Title 33 CFR 183.410 (Diesel engine applications only)
- Marine ignition-protected models certify to SAE J1171 standards (Gasoline engine applications only) (UL Marine listed)
- Shipped with clockwise directional fan
- Bi-directional fans available
- Various pulleys to fit your application

BENEFITS:

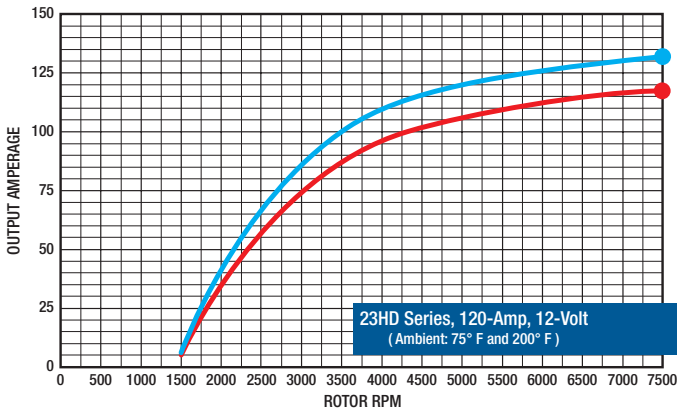
- Extensive heat-chamber testing to withstand the higher under-hood and engine compartment temperatures of heavy-duty applications
- Designed for worst-case, high-temperature operating conditions
- Aluminum and powder-coat finishes available
- Sized right to allow a "bolt-to-bolt" exchange in most cases
- Heavy-duty materials provide exceptional performance for extended life
- Troubleshooting Guide and on-call technical support available

POWERLINE 23HD Series Alternators

POWERLINE 23HD SERIES ALTERNATOR POWER CURVE PERFORMANCE:

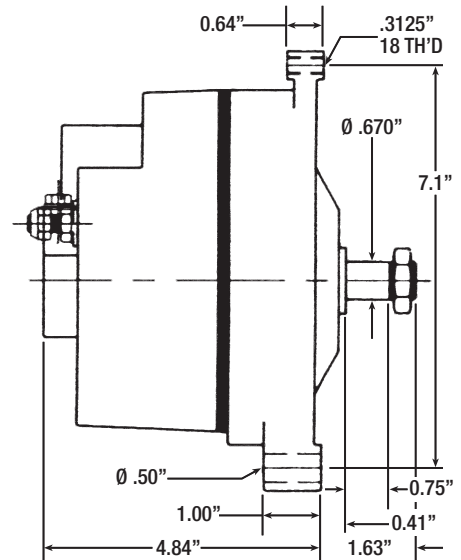


7500	100	89
7000	99	88
6500	98	87
6000	97	84
5500	95	82
5000	93	80
4500	90	78
4000	86	75
3500	80	71
3000	73	64
2500	63	55
2000	48	42
1500	25	20
RPM	AMPS 75° F	AMPS 200° F

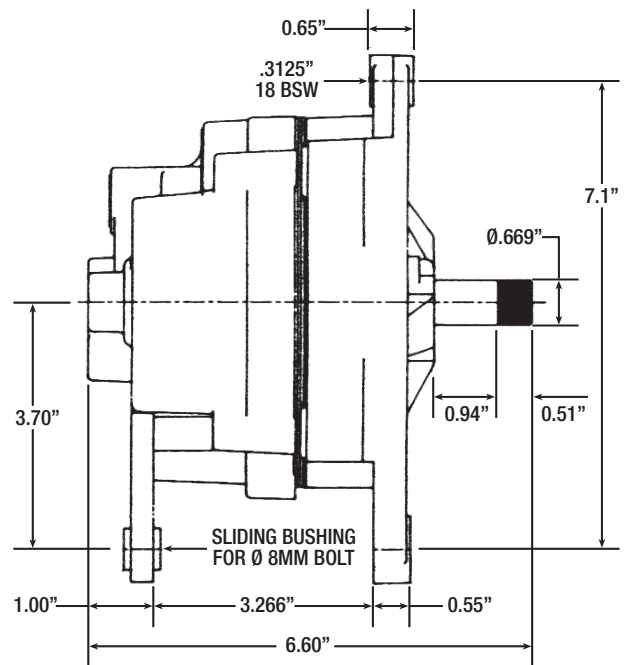


7500	132	118
7000	130	116
6500	128	114
6000	126	112
5500	123	109
5000	120	106
4500	116	102
4000	108	97
3500	100	88
3000	86	76
2500	66	57
2000	39	33
1500	6	5
RPM	AMPS 75° F	AMPS 200° F

POWERLINE 23HD SERIES ALTERNATOR SPINDLE MOUNT MEASUREMENT SPECIFICATIONS:



POWERLINE 23HD SERIES ALTERNATOR SADDLE MOUNT MEASUREMENT SPECIFICATIONS:



Dual foot mount also available; call HD Power Solutions, Inc. for more information.



Alternator above is an aluminum 24-202 160-amp, 12-volt modular mount unit. Optional powder-coat finish is available for large orders.

POWERLINE 24HD Series Alternators

POWERLINE 24HD series alternators are designed and tested to withstand higher under-hood temperatures and are for vehicles requiring higher output at idle and at highway speeds. This series is available in 160, 190, and 220-amp, 12-volt, and 100-amp 24-volt.

The POWERLINE 24HD series alternators are perfect for ambulances, buses, service vehicles, wreckers, marine applications, tow vehicles, off-road vehicles, trucks and specialty vehicles. The T-mount alternator is a direct replacement for the Ford tangential mount application through 2002, and is designed for maximum amps at low engine idle.

APPLICATIONS:

- Various GM and Ford automobiles 1970 -2002.
- Various other vehicles and marine applications.
- For more application information call HDPSI at (800) 443-9394 or go to www.hdpsi.com/applicationguide on the web for details.

SPECIFICATIONS:

- Weight: 16-21 lbs.

WARRANTY:

- 12-month limited warranty

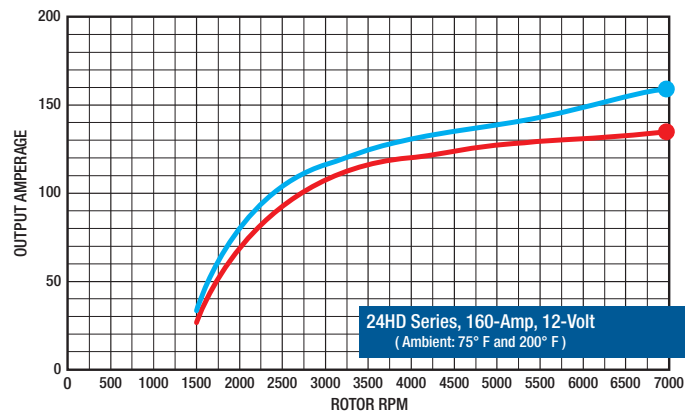
FEATURES:

- Mount types available: Spindle, 2" and 3" modular, or T-mount
- Amp/volt configurations: 100/24, 160/12, 190/12, or 220/12
- Heavy-duty, 50-amp press-fit diodes (six positive, six negative)
- Uses standard (10-170) or three-step (10-215) external regulators
- Hand-wound stator and long-life brushes
- Heavy-duty, dual-plane balanced rotor
- Heavy-duty, extended-life bearings with heat-treated races, high-temperature grease and Viton seals
- Various pulleys and fans to fit your application
- Internally and externally-rectified models available
- 5/16" battery output and ground terminals
- POWERLINE custom-braided wiring harness available

BENEFITS:

- Extensive heat-chamber testing to withstand the higher under-hood and engine compartment temperatures of heavy-duty applications
- Maximum amps at engine idle
- Designed for worst-case, high-temperature operating conditions
- Powder-coat finish reduces corrosion — Powder-coat option available for large orders
- Precision-engineered to guarantee the fit of each application
- Heavy-duty materials provide exceptional performance for extended life
- Troubleshooting Guide and on-call technical support available
- Application guide available by phone or online at www.hdpsi.com

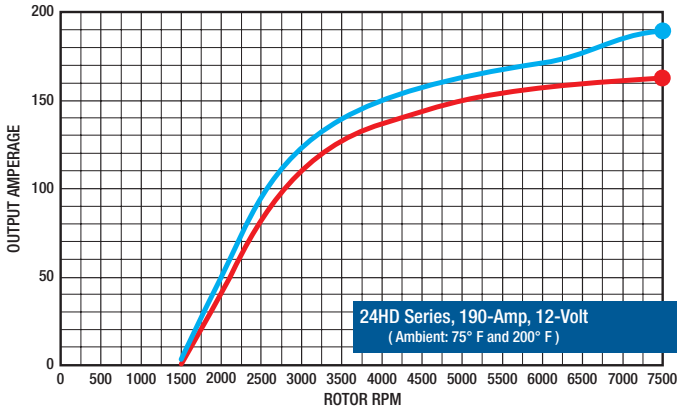
POWERLINE 24HD SERIES ALTERNATOR POWER CURVE PERFORMANCE:



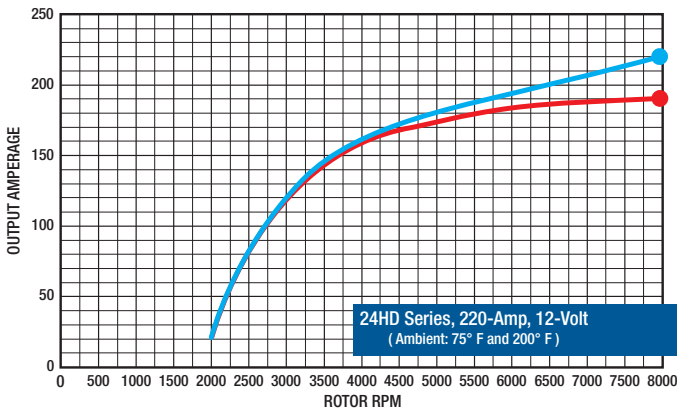
7000	160	135
6500	155	133
6000	148	130
5500	143	129
5000	139	127
4500	134	125
4000	130	120
3500	125	115
3000	116	109
2500	105	94
2000	80	71
1500	33	27
RPM	AMPS 75° F	AMPS 200° F

POWERLINE 24HD Series Alternators

POWERLINE 24HD SERIES ALTERNATOR POWER CURVE PERFORMANCE:

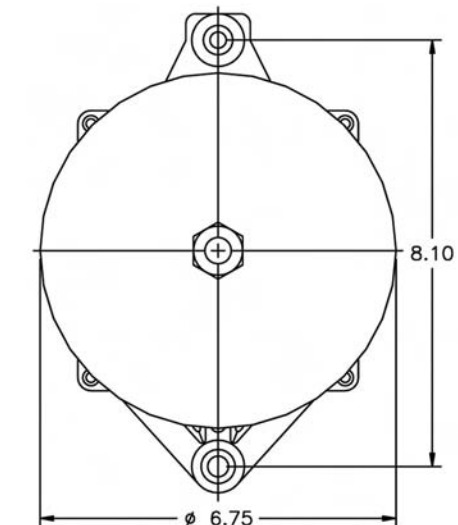
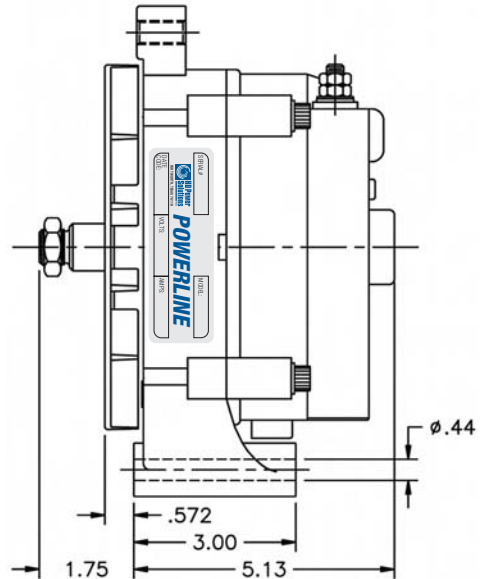
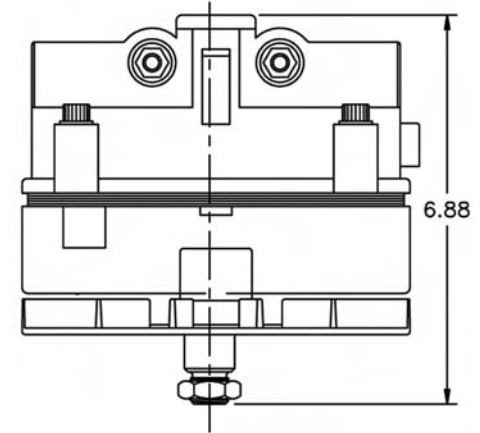


7500	190	163
7000	184	160
6500	176	159
6000	171	156
5500	167	154
5000	163	150
4500	157	143
4000	149	137
3500	139	126
3000	121	110
2500	95	83
2000	50	40
1500	3	0
RPM	AMPS 75° F	AMPS 200° F

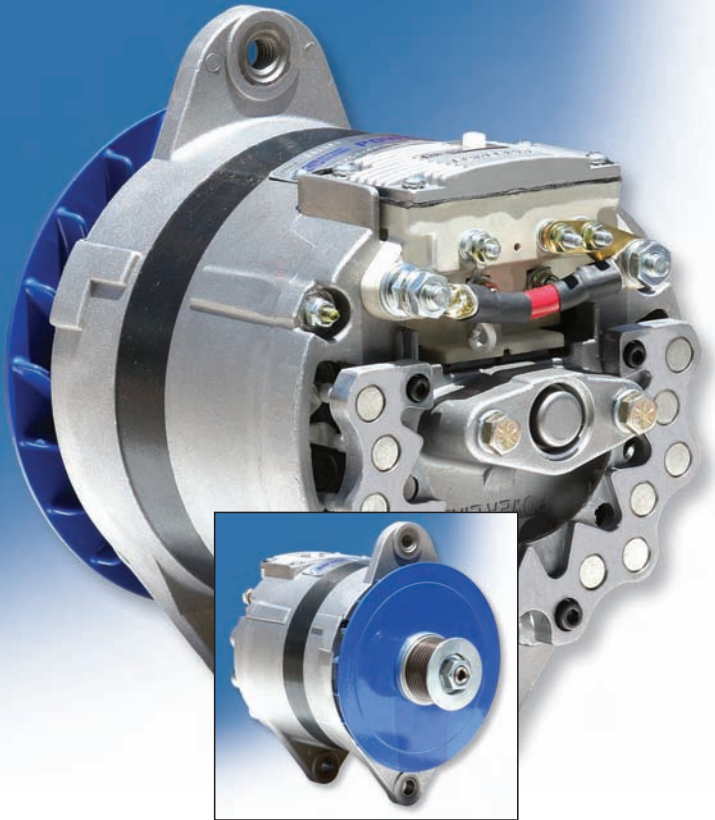


8000	220	190
7500	214	189
7000	207	188
6500	199	187
6000	194	184
5500	187	180
5000	181	174
4500	173	168
4000	162	160
3500	145	144
3000	120	120
2500	80	83
2000	21	21
RPM	AMPS 75° F	AMPS 200° F

POWERLINE 24HD SERIES ALTERNATOR SPINDLE MOUNT MEASUREMENT SPECIFICATIONS:



Modular and T-mount also available: call HD Power Solutions, Inc. for more information.



POWERLINE 25HD Series Alternators

POWERLINE 25HD series alternators are designed and tested to withstand higher under-hood temperatures and are for vehicles requiring higher output at idle and at highway speeds. Tested for today's medium and heavy-duty on and off-road applications. This series is available in 160, 220, and 275-amp 12-volt, and 100, 150, and 200-amp 24-volt models.

The POWERLINE 25HD series alternators are perfect for fire trucks, ambulances, buses, emergency vehicles, service vehicles, wreckers, motor homes, tow vehicles, off-road vehicles, trucks, and specialty vehicles.

APPLICATIONS:

- Freightliner FL67 and FL70. Navistar 3000 bus chassis and 4000 truck chassis. All series Monoco Motorhomes. All Detroit, Cummins, Caterpillar, Mack, International, and Mercedes Diesel engines equipped for J-180 mounts. For more application information call HDPSI at (800) 443-9394 or go to www.hdpsi.com/applicationguide on the web for details.

SPECIFICATIONS:

- Weight: 27 lbs.

WARRANTY:

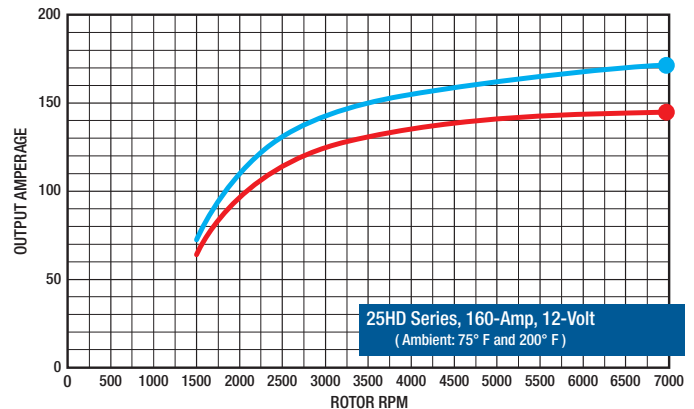
- 12-month limited warranty

FEATURES:

- Mount types available: J-180 and T-mount
- Amp/volt configurations: 160/12, 220/12, 275/12, 100/24, 150/24, and 200/24
- Heavy-duty, 50-amp press-fit diodes (12 positive, 12 negative)
- Standard with internal adjustable or non-adjustable regulators
- External regulator configurations available
- Hand-wound, heavy-duty dual delta stator
- Extra long-life brushes
- Heavy-duty, dual-plane balanced rotor
- Heavy-duty, extended-life bearings with heat-treated races, high-temperature grease and Viton seals
- Various pulleys and fans to fit your application
- Externally-rectified models available
- Insulated ground available upon special order
- Equipped for remote battery sense and indicator lamp use
- Shipped ready for one-wire hook-up
- Easy conversion for battery isolator/Duovac systems
- POWERLINE custom-braided wiring harness available

BENEFITS:

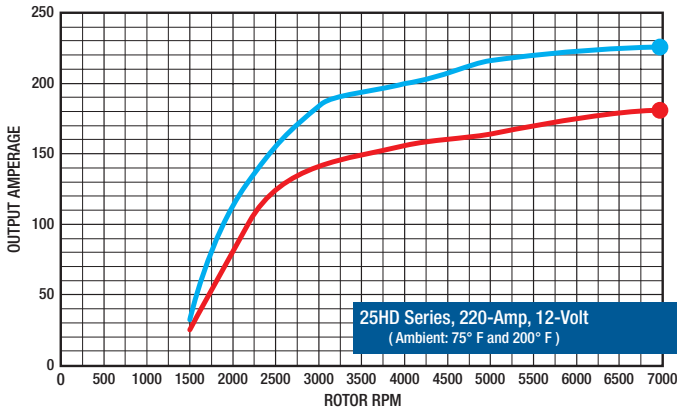
- Extensive heat-chamber testing to withstand the higher under-hood temperatures of heavy-duty applications
- Maximum amps at engine idle
- Designed for worst-case, high-temperature operating conditions
- Natural aluminum finish allows faster heat dissipation
- Precision-engineered to guarantee the fit of each application
- Heavy-duty materials provide exceptional performance for extended life
- Troubleshooting Guide and on-call technical support available
- Application guide available by phone or online at www.hdpsi.com



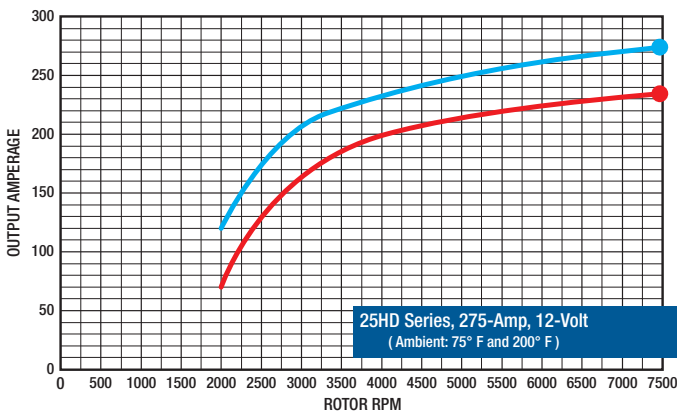
7000	172	145
6500	170	144
6000	168	143
5500	165	142
5000	162	141
4500	159	139
4000	155	135
3500	150	131
3000	142	125
2500	131	112
2000	110	97
1500	72	63
RPM	AMPS 75° F	AMPS 200° F

POWERLINE 25HD Series Alternators

POWERLINE 25HD SERIES ALTERNATOR POWER CURVE PERFORMANCE:

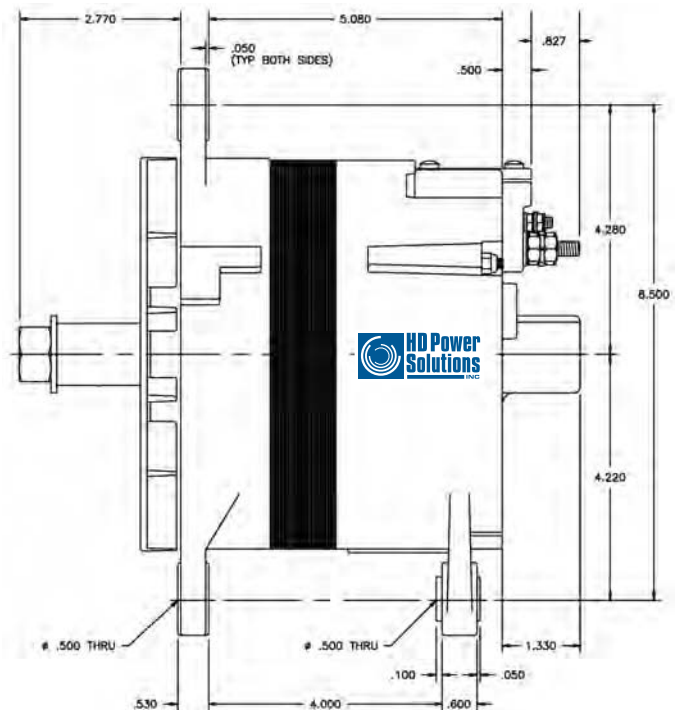
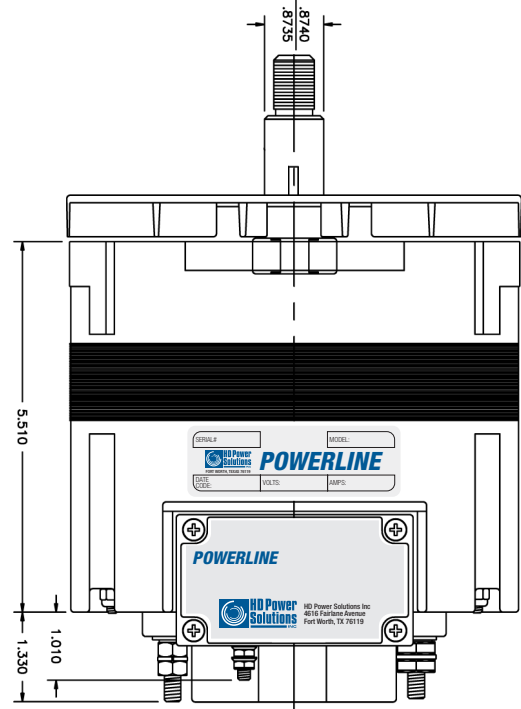


7000	226	180
6500	224	178
6000	223	175
5500	220	169
5000	216	164
4500	205	159
4000	200	156
3500	192	150
3000	185	139
2500	153	126
2000	112	81
1500	32	25
RPM	AMPS 75° F	AMPS 200° F

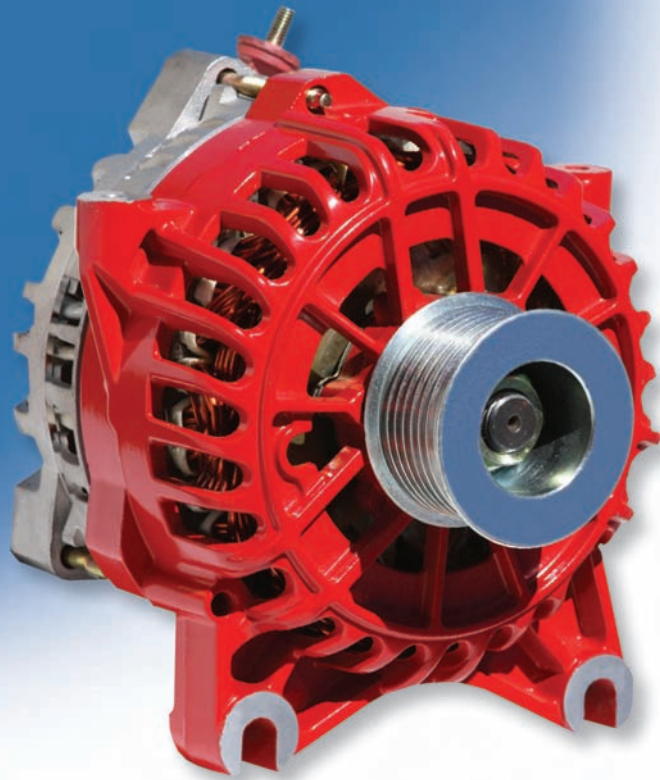


7500	275	235
7000	268	230
6500	264	226
6000	259	222
5500	253	218
5000	247	212
4500	242	207
4000	232	199
3500	223	183
3000	205	164
2500	175	129
2000	120	70
RPM	AMPS 75° F	AMPS 200° F

POWERLINE 25HD SERIES ALTERNATOR J-180 MOUNT MEASUREMENT SPECIFICATIONS:



Pad and T-mount also available: call HD Power Solutions, Inc. for more information.



Alternator above is a 28-203 180-amp, 12-volt modular mount unit.

POWERLINE 28HD Series Alternators

These Ford 6G replacement alternators are designed and tested to withstand higher under-hood temperatures and are for vehicles requiring higher output at idle and at highway speeds. Tested for today's limousines, police cruisers, and mini-bus applications. This series is exclusively manufactured in 180-amp models.

APPLICATIONS:

- For application information call HDPSI at (800) 443-9394 or go to www.hdpsi.com/applicationguide on the web for details.

SPECIFICATIONS:

- Weight: 18 lbs.

WARRANTY:

- 12-month limited warranty
- Troubleshooting Guide and on-call technical support available
- Application guide available by phone or online at hdpsi.com

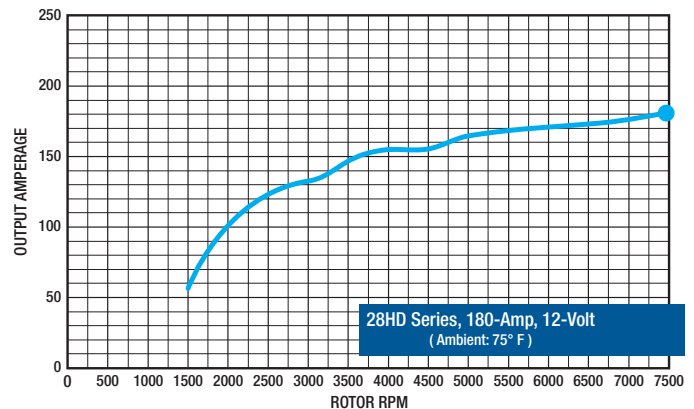
FEATURES:

- Mount types available: modular, wide T-mount, or spindle
- Rated at 180 amps, 12 volts
- Custom wave wound stator
- Heavy-duty, dual-plane balanced rotor and dual internal fans
- Heavy-duty, extended-life bearings with heat-treated races, high-temperature grease and Viton seals
- Externally or internally-regulated
- Solid copper internal rectifier rated at 200 amps with press-fit diodes
- Heavy-duty, 8mm copper-plated positive output terminal
- Uses external 10-170 LED diagnostic regulator with 11-123 harness
- Various pulleys to fit your application

BENEFITS:

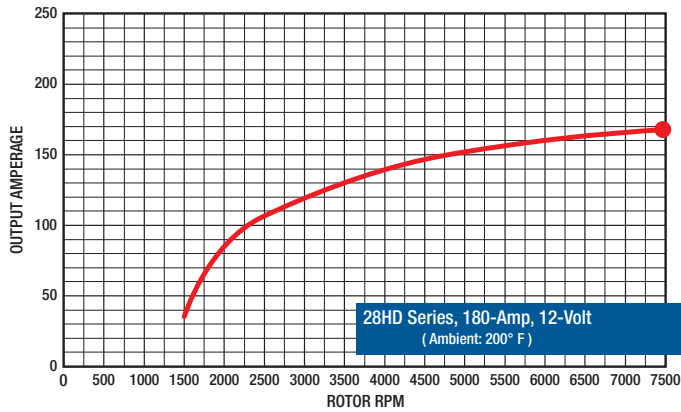
- Extensive heat-chamber engineering and testing, creating alternators that are designed to withstand the higher under-hood temperatures of heavy-duty applications
- Designed for worst-case, high-temperature operating conditions
- Powder-coat finish reduces corrosion
- Precision-engineered to guarantee the fit of each application
- Heavy-duty materials provide exceptional performance for extended life

POWERLINE 28HD SERIES ALTERNATOR POWER CURVE PERFORMANCE:



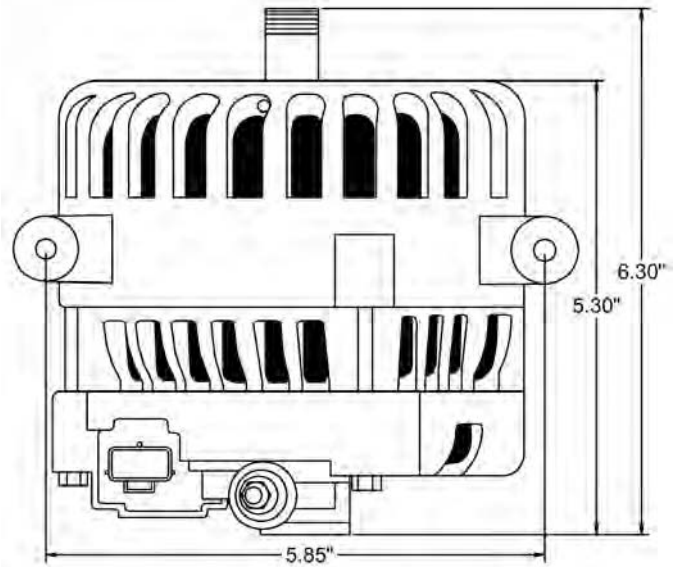
7500	180
7000	175
6500	173
6000	171
5500	167
5000	164
4500	155
4000	155
3500	147
3000	132
2500	122
2000	101
1500	56
RPM	AMPS 75° F

POWERLINE 28HD Series Alternators

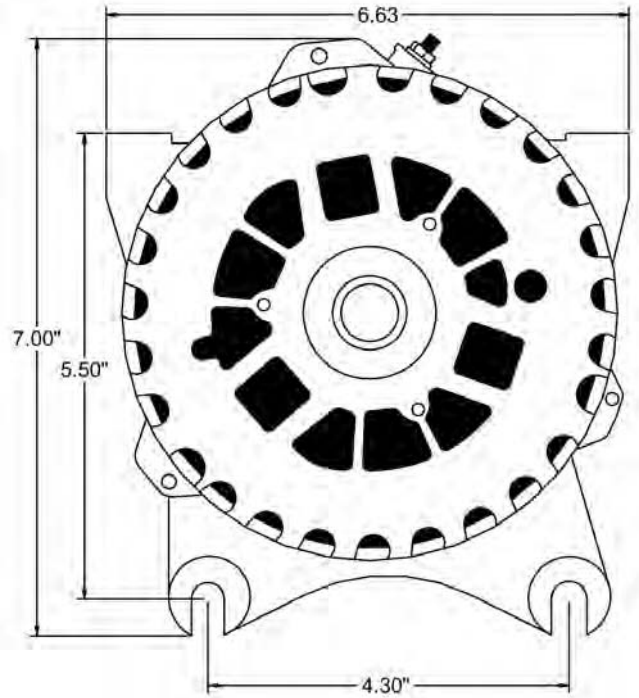
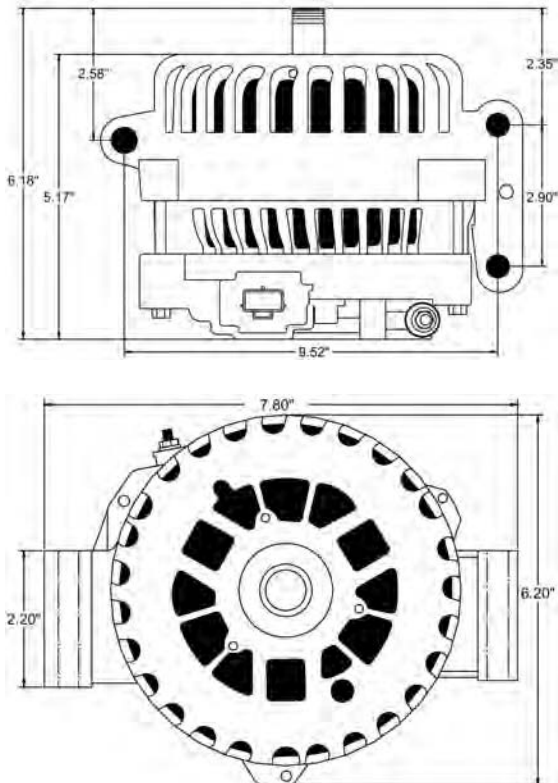


7500	168
7000	165
6500	163
6000	161
5500	155
5000	152
4500	147
4000	140
3500	130
3000	120
2500	106
2000	85
1500	35
RPM	AMPS 200° F

POWERLINE 28HD SERIES ALTERNATOR MODULAR MOUNT MEASUREMENT SPECIFICATIONS:



POWERLINE 28HD SERIES ALTERNATOR T-MOUNT MEASUREMENT SPECIFICATIONS:



Other mounts also available: call HD Power Solutions, Inc. for more information.



Alternator above is a 29-1 220-amp, 12-volt Vortec mount unit, with a 8-621 pulley.

POWERLINE 29HD Series Alternators

These large case alternators are designed and tested to withstand higher under-hood temperatures and are for vehicles requiring higher output at idle and at highway speeds. Tested for today's medium and heavy-duty on and off-road applications. This series is available only in a 220-amp model.

APPLICATIONS:

- General Motors gas and diesel chassis, shuttle buses, and Workhorse trucks. For more application information call HDPSI at (800) 443-9394 or go to www.hdpsi.com/applicationguide on the web for details.

SPECIFICATIONS:

- Weight: 20 lbs.
- Standard OEM belt can be used in most applications
- Standard OEM mounting, no brackets needed in most applications

WARRANTY:

- 12-month limited warranty

FEATURES:

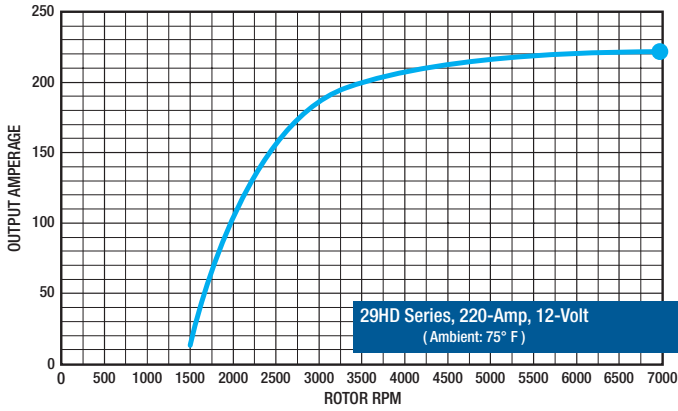
- Rated 220 amps at 12 volts
- 5/16" positive output terminal
- Optimized output wave wound stator
- Low-loss, high-performance thin lamination stator
- Heavy-duty, dual-plane balanced rotor
- Heavy-duty, extended-life bearings with heat-treated races, high-temperature grease and Viton seals
- Heavy-duty, 50-amp press-fit diodes (six positive, six negative)
- Uses external 10-170 LED diagnostic regulator with 11-125 harness

BENEFITS:

- Extensive heat-chamber testing to withstand the higher under-hood temperatures of heavy-duty applications
- Maximized for highest amps at engine idle
- Designed for worst-case, high-temperature operating conditions
- Precision-engineered to guarantee the fit of each application
- Heavy-duty materials provide exceptional performance for extended life
- Troubleshooting Guide and on-call technical support available
- Application guide available by phone or online at www.hdpsi.com

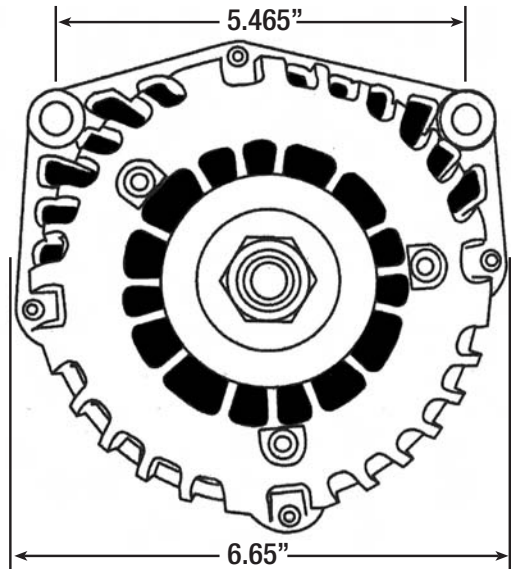
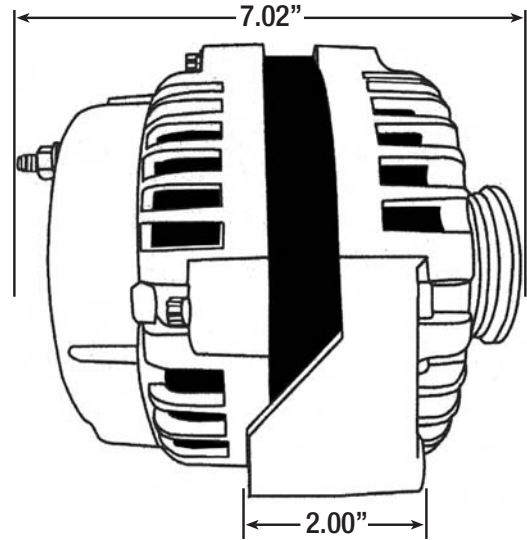
POWERLINE 29HD Series Alternators

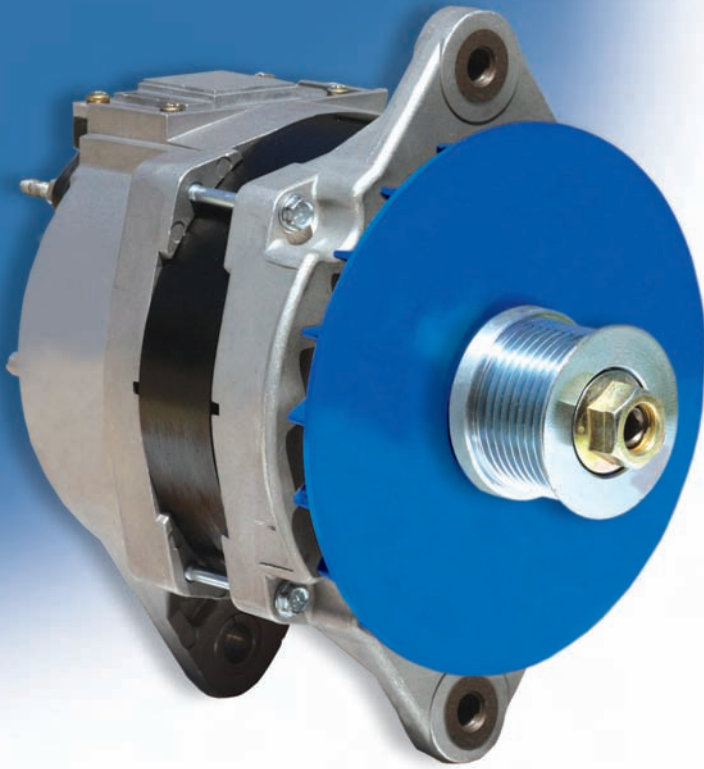
POWERLINE 29HD SERIES ALTERNATOR POWER CURVE PERFORMANCE:



7000	222
6500	221
6000	220
5500	218
5000	215
4500	212
4000	205
3500	200
3000	186
2500	155
2000	102
1500	13
RPM	AMPS 75° F

POWERLINE 29HD SERIES ALTERNATOR VORTEC MOUNT MEASUREMENT SPECIFICATIONS:





POWERLINE 31HD Series Alternators

J-180 mount alternators are designed and tested to withstand higher under-hood temperatures and are for vehicles requiring higher output at idle and at highway speeds. Tested for today's heavy-duty on-road applications. This series is available in 160, 200, and 250-amp 12-volt, and 150-amp 24-volt models.

APPLICATIONS:

- Freightliner FL67 and FL70. Navistar 3000 bus chassis and 4000 truck chassis. Monoco Motorhomes. All Detroit, Cummins, Caterpillar, Mack, International and Mercedes diesel engines equipped for J-180 mount. For more application information call HDPSI at (800) 443-9394 or go to www.hdpsi.com/applicationguide on the web for details.

SPECIFICATIONS:

- Weight: 27 lbs.

WARRANTY:

- 12-month limited warranty
- Troubleshooting Guide and on-call technical support available
- Application guide available by phone or online at www.hdpsi.com

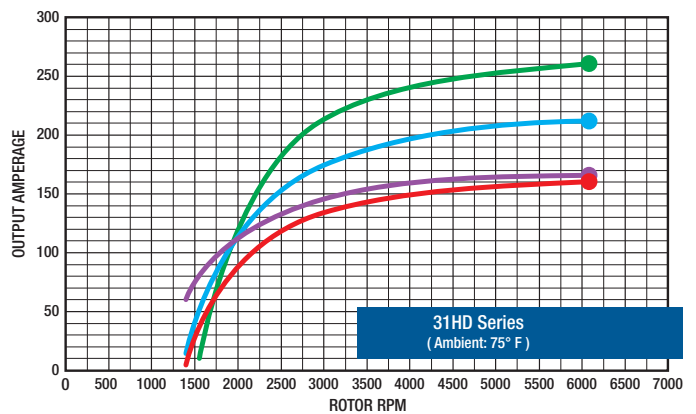
FEATURES:

- Mount types available: J-180 or pad mount (coming soon)
- Amp/volt configurations: 160/12, 200/12, 250/12, 150/24
- Heavy-duty, 50-amp press-fit diodes (six positive, six negative)
- Specially-designed finned heatsink for cooler operation
- Hand-wound, heavy-duty dual delta stator
- Heavy-duty, extended-life bearings with heat-treated races, high-temperature grease, and Viton seals
- Long life brushes and various pulleys to fit your application
- Shipped with clockwise high-volume low-noise fan (bi-directional fan available)
- 5/16" positive, 1/4" negative output terminals
- External remote battery-sensing terminal
- External relay/tachometer terminal
- Ignition terminal for indicator or non-indicator applications

BENEFITS:

- Extensive heat-chamber testing to withstand the higher under-hood temperatures of heavy-duty applications
- Maximum amps at engine idle
- Designed for worst-case, high-temperature operating conditions
- Natural aluminum finish allows faster heat dissipation
- Precision-engineered to guarantee the fit of each application
- Heavy-duty materials provide exceptional performance for extended life.

POWERLINE 31HD SERIES ALTERNATOR POWER CURVE PERFORMANCE:



6000		5000		4000		3000		2000		1800		1600		1400	
RPM	AMPS 150	RPM	AMPS 160	RPM	AMPS 200	RPM	AMPS 250	RPM	AMPS 250	RPM	AMPS 250	RPM	AMPS 250	RPM	AMPS 250
6000	159	6000	166	6000	212	6000	260.9								
5500	157	5000	163	5000	208	5000	250.7								
5000	155	4000	158	4000	197	4000	239.6								
4500	152	3400	152	3400	186	3000	212.1								
4000	148	3000	145.5	3000	173.5	2500	179.6								
3500	142	2400	131	2400	144	2100	134.1								
3000	134	2000	113	2000	112	2000	117.4								
2500	118	1800	101	1800	90	1900	99.4								
2000	87	1600	84	1600	59	1800	78								
1750	62	1400	60.5	1400	14	1700	53								
1500	27					1600	24.5								
1400	4					1550	9.1								

POWERLINE 31HD Series Alternators

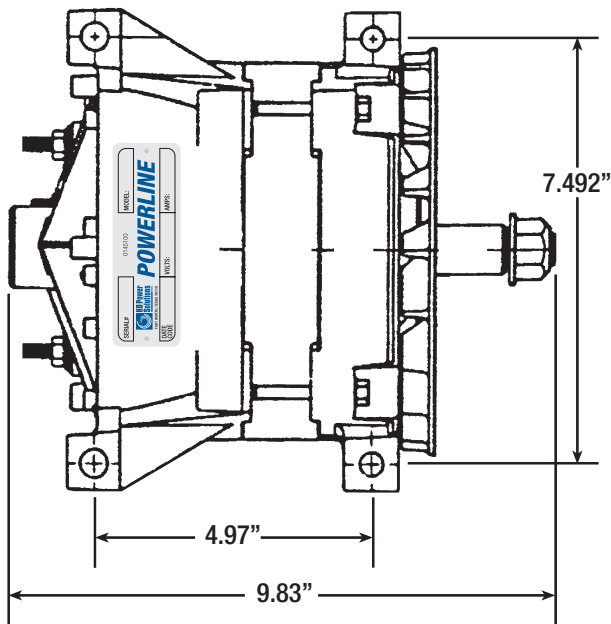
POWERLINE 31HD SERIES ALTERNATOR SPECIFICATIONS:

Model Numbers:		RATED AMPS	OUTPUT VOLTS	POSITIVE TERMINAL	STATOR TERMINAL	BRUSH HOLDER AND REGULATOR ASSEMBLY	
HDPSI	REMY						
0315100	19011100	160	12	1/4"	Push on Pin	0885279	10493279
0315101	19011101	160	12	1/4"	#10 Threads	0885088	10493088
0315102	19011102	105	12	1/4"	Push on Pin	0885279	10493279
0315103	19011103	105	12	1/4"	#10 Threads	0885088	10493088
0315104	19011104	200	12	5/16"	Push on Pin	0885742	10493742
0315105	19011105	200	12	5/16"	#10 Threads	0885948	10493948
0315106	19011106	160	12	1/4"	Push on Pin	0885279	10493279
0315107	19011107	160	12	5/16"	#10 Threads	0885948	10493948
0315112	19011112*	200	12	5/16"	#10 Threads	0885948	10493948
0315250	NA	250	12	5/16"	#10 Threads	0885948	10493948
0315108	19011108	140	24	1/4"	Push on Pin	0885130	10485130
0315054	8600054**	140	24	1/4"	#10 Threads	0885131	10485130

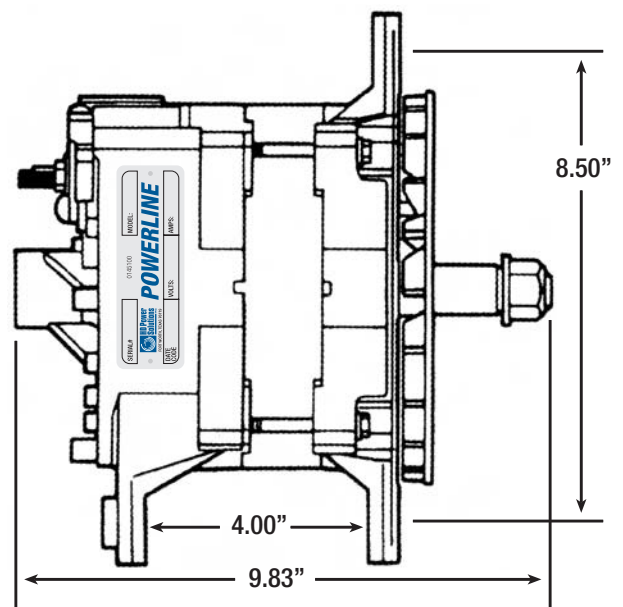
* Shipped with 10474925 pulley installed on shaft.

** Shipped with 10510992 pulley installed on shaft.

POWERLINE 31HD SERIES ALTERNATOR PAD MOUNT MEASUREMENT SPECIFICATIONS:



POWERLINE 31HD SERIES ALTERNATOR J-180 MOUNT MEASUREMENT SPECIFICATIONS:



Other mounts also available: call HD Power Solutions, Inc.
for more information.

Power that keeps the world moving!



POWERLINE 10HD Series Regulators

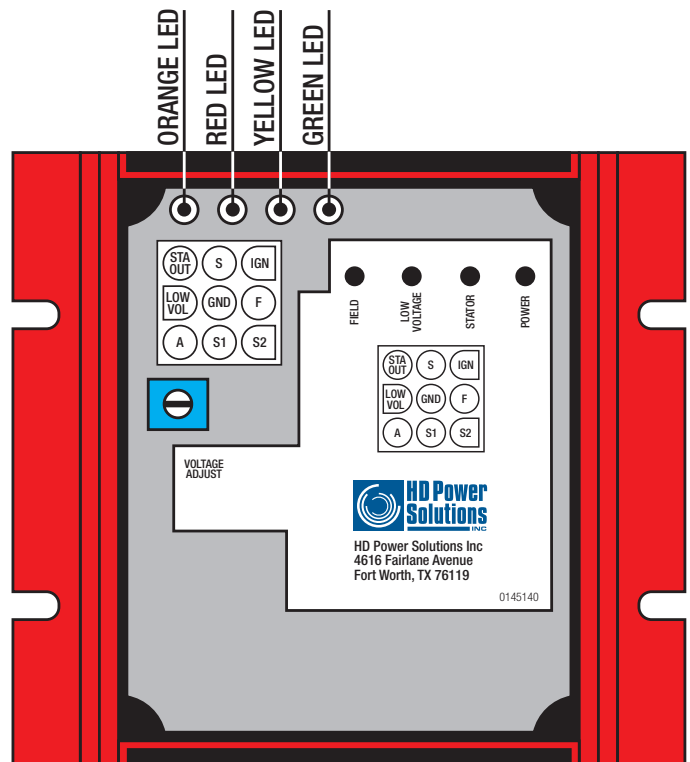
HDPSI offers a variety of models of *POWERLINE* Regulators. These regulators are designed with a soft start, which increases belt and bearing life. They feature either keyed DC or self-excitation AC and are available in 12 and 24-volt models for battery systems. The waterproof connector eliminates corrosion due to moisture, and includes short-circuit protection for both field and ignition circuits. They also include high-voltage shut down and are able to handle field currents up to 15 amps when used to power dual alternator systems. They feature an automatic restart circuit, and an adjustable voltage range with a top-mounted potentiometer. This regulator is a high-side device intended for use with "P-type" alternators only. It cannot be used with alternators which are regulated through the ground-side of the field winding.

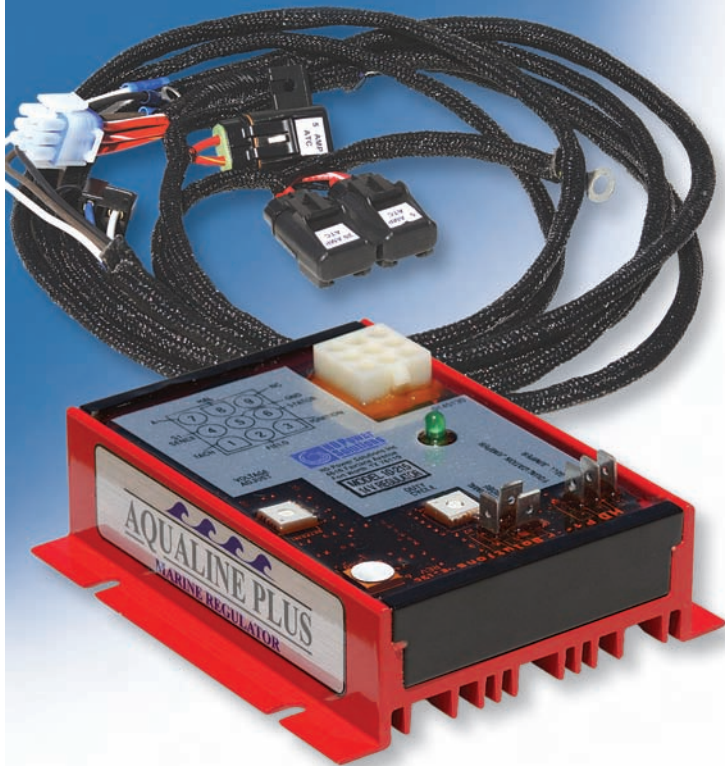
10-170HD AND 10-175HD EXTERNAL REGULATORS:

FEATURES:

- 12 and 24-volt models for battery systems
- Soft start (low startup field current) increases belt and bearing life
- High-side regulation
- AC self-excitation turn-on, as well as DC turn-on, with or without ignition lamp
- High-voltage shutdown
- 100-volt load dump protection
- Loss-of-ground protection
- Short-circuit protection for both field and ignition circuits
- Up to 15 amps of available field current
- Drives dual alternator systems
- LED indication of ignition, field, stator, and overload alternator condition
- Anodized aluminum heat sink with potted components
- Adjustable systems voltage with top-mounted potentiometer

POWERLINE 10-170HD AND 10-175HD REGULATORS CONNECTOR CONFIGURATION - TOP VIEW:





POWERLINE 10HD Series Aqualine Plus Regulators

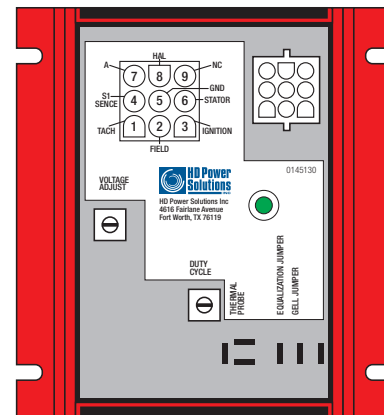
HDPSI also offers the *Aqualine Plus* Regulator, which is a “smart” three-step regulator based around an embedded micro-controller. It contains a number of features that ordinary regulators do not have. These features are intended to optimize the charging of expensive batteries, to protect delicate equipment, like halogen lamps, and to provide special features, such as battery equalization. This regulator is a “high-side” device intended for use with “P-type” alternators only. It cannot be used with alternators which are regulated through the ground-side of the field winding. *Aqualine Plus* regulators come in both 12 and 24-volt models.

10-215HD AND 10-216HD AQUALINE PLUS MARINE REGULATORS:

FEATURES:

- High-side regulation
- 12 and 24-volt models available
- Three-step charging with bulk, absorption, and float modes
- 90-second, stepped turn-on delay to protect belts
- Short-circuit protection for both field and ignition circuits
- Protection against over-voltage
- Battery-over-temperature protection with optional 10-83 thermal probe
- Ignition can be operated with or without ignition lamp
- Gel cell protection mode
- Manually-activated battery-equalization routine
- Duty cycle current limiting
- Mode LED indicators: turn-on delay, float mode, over-temperature, shorted field circuit, over voltage, missing or blown fuse
- Wide-range tach drive

POWERLINE 10HD SERIES AQUALINE PLUS REGULATOR CONNECTOR CONFIGURATION - TOP VIEW:



PIN #	NAME	HARNES WIRE COLOR	FUNCTION	PIN LOCATION
1	TACH	RED/YELLOW	Tachometer Output	
2	F	BLUE	Field Output	
3	IGN	BROWN	Ignition Turn On	
4	S1	RED/WHITE	Remote Sense	
5	GND	BLACK	Ground	
6	S	WHITE	Stator Turn On	
7	A	RED	Power Supply	
8	HAL	PINK/BLK	From Halogen Light Switch	
9	—	WHT PLUG	No Connection – Not Used	

REGULATOR SPECIFICATIONS

PARAMETER	12 VOLT MODELS	24 VOLT MODELS
Operating Temperature Range	0° F to +200° F	0° F to +200° F
Storage Temperature Range	-40° F to +250° F	-40° F to +250° F
Operating Battery Volt Range	8 to 16 volts	16 to 32 volts
Quiescent Current Drain	10ma MAX	10ma MAX
Set Point Adjustment Range	13.7 to 14.7 volts	27 to 29 volts
System Voltage Variation		
*with speed (@ 10% rated load)	0.2 volts from 2000 to 8000 RPM	0.2 volts from 2000 to 8000 RPM
*with load (10 to 90% rated output)	0.4 volts max at 4000 RPM/80° F	0.6 volts max at 4000 RPM/80° F



POWERLINE 33HD Series Isolators

HDPSI offers over 100 models of multi-battery *Powerline* Isolators. One of the finest isolators on the market, the *Powerline* Isolator is engineered and heat-chamber tested to handle total isolator rating with either battery leg. The function of a battery isolator is to allow multiple batteries to be charged from a single or dual alternator system and prevent reverse drain from either battery when the vehicle is not running.

Current uses range from ambulances, police cruisers, fire engines, limousines, marine, service vehicles, snowplows, and many other applications. Models are available in 70 to 400 amps in negative and positive ground, as well as special models for Delco "CS" series alternators. Also available in heavy-duty external rectifier models rated for up to 200-amp alternators.

FEATURES:

- Powder-coated heatsink for long-lasting, corrosion-resistant finish
- All internal components epoxy-potted for extreme durability
- Heavy-duty 2" wide diffuser bar
- Thermal heat transfer tape for cooler operation
- More cooling fins than competitors' products
- Underrated power-handling ability
- More models fit more applications
- Standard negative ground (positive ground available on special order)

FEATURES:

- 70 to 400-amp models available
- Models for Delco CS compatibility
- Private label available

POWERLINE CROSSOVER TO 33HD SERIES ISOLATORS:

PLI-70	22-1	33-1
PLI-70-2	22-2	33-2
PLI-70-3	22-3	33-3
PLI-70-4	22-4	33-4
PLI-2-70-2	22-5	33-5
PLI-2-70-2R	22-6	33-6
PLI-2-70-3	22-7	33-7
PLI-2-70-3R	22-8	33-8
PLI-74-2	22-9	33-1
PLI-74-3	22-10	33-3
PLI-2-74-3	22-11	33-7
PLI-75-2MS	22-12	N/A
PLI-90-2	22-13	33-12
PLI-90-2CS	22-14	33-14
PLI-90-2CSK	22-44	33-15
PLI-90-2R	22-15	33-13
PLI-130-2	22-16	33-18
PLI-130-2R	22-17	33-19
PLI-130-2CSK	22-18	33-21
PLI-130-2MS	22-19	N/A
PLI-130-3	22-20	33-23
PLI-130-3CSK	22-21	33-26
PLI-130-3MS	22-22	N/A
PLI-2-130-2	22-23	33-28
PLI-2-130-2R	22-24	33-29
PLI-2-130-3	22-25	33-30
PLI-2-130-3R	22-26	33-31
PLI-160-2	22-27	33-33
PLI-160-3	22-28	33-34
PLI-2-160-3	22-29	33-41
PLI-190-75-3	22-30	33-42
PLI-190-2	22-31	33-43
PLI-190-2MS	22-32	N/A
PLI-190-3	22-33	33-47
PLI-2-190-3	22-34	33-48
PLI-240-2	22-35	33-50
PLI-240-2MS	22-36	N/A
PLI-240-3	22-37	33-51
PLI-200REC	22-47	N/A

POWERLINE 33HD Series Isolators

POWERLINE 33HD SERIES ISOLATOR CONFIGURATIONS:

33-1	70 Amp. 1 Alt. 2 Batt.	33-45	190 Amp. 1 Alt. 2 Batt. Delco CS130 w/ Adaptor Harness
33-2	70 Amp. 1 Alt. 2 Batt. w/ Regulator Terminal	33-46	190 Amp. 1 Alt. 2 Batt. Delco CS130D w/ Adaptor Harness
33-3	70 Amp. 1 Alt. 3 Batt.	33-47	190 Amp. 1 Alt. 3 Batt.
33-4	70 Amp. 1 Alt. 4 Batt.	33-48	190 Amp. 2 Alt. 3 Batt.
33-5	70 Amp. 2 Alt. 2 Batt.	33-49	250 Amp. 1 Alt. 1 Batt.
33-6	70 Amp. 2 Alt. 2 Batt. w/ Regulator Terminal	33-50	250 Amp. 1 Alt. 2 Batt. w/ Excitation Term
33-7	70 Amp. 2 Alt. 3 Batt.	33-51	250 Amp. 1 Alt. 3 Batt. w/ Excitation Term
33-8	70 Amp. 2 Alt. 3 Batt. w/ Regulator Terminal	33-52	300 Amp. 1 Alt. 2 Batt. w/ Excitation Term
33-12	90 Amp. 1 Alt. 2 Batt.	33-53	400 Amp. 1 Alt. 2 Batt. w/ Excitation Term
33-13	90 Amp. 1 Alt. 2 Batt. w/ Regulator Terminal	33-54	200 Amp. Neg. Rec. (for 33-56)
33-14	90 Amp. 1 Alt. 2 Batt. Delco CS Alt. w/o kit	33-55	200 Amp. Pos. Rec. (for 33-56)
33-15	90 Amp. 1 Alt. 2 Batt. Delco CS130 Alt. w/Adaptor Harness	33-56	200 Amp. Rectifier Assembly
33-16	90 Amp. 1 Alt. 2 Batt. Delco CS130D Alt. w/Adaptor Harness	33-57	250 Amp. Neg. Rectifier
33-17	130 Amp. 1 Alt. 1 Batt.	33-58	250 Amp. Pos. Rectifier
33-18	130 Amp. 1 Alt. 2 Batt.	33-59	250 Amp. Rectifier Assembly
33-19	130 Amp. 1 Alt. 2 Batt. w/ Regulator Terminal	33-60	250 Amp. Rectifier Assembly Navistar
33-20	130 Amp. 1 Alt. 2 Batt. Delco CS w/o Adaptor Harness	33-61	70 Amp 1 Alt. 2 Batt. Positive Ground
33-21	130 Amp. 1 Alt. 2 Batt. Delco CS130 w/ Adaptor Harness	33-62	70 Amp 1 Alt. 3 Batt. Positive Ground
33-22	130 Amp. 1 Alt. 2 Batt. Delco CS130D w/ Adaptor Harness	33-63	90 Amp 1 Alt. 2 Batt. Positive Ground
33-23	130 Amp. 1 Alt. 3 Batt.	33-64	90 Amp 1 Alt. 3 Batt. Positive Ground
33-24	130 Amp. 1 Alt. 3 Batt. w/ Regulator Terminal	33-65	130 Amp 1 Alt. 2 Batt. Positive Ground
33-25	130 Amp. 1 Alt. 3 Batt. Delco CS w/o Adaptor Harness	33-66	130 Amp 1 Alt. 3 Batt. Positive Ground
33-26	130 Amp. 1 Alt. 3 Batt. Delco CS130 w/ Adaptor Harness	33-67	160 Amp. 1 Alt. 2 Batt. Positive Ground
33-27	130 Amp. 1 Alt. 3 Batt. Delco CS130D w/ Adaptor Harness	33-68	160 Amp. 1 Alt. 3 Batt. Positive Ground
33-28	130 Amp. 2 Alt. 2 Batt.	33-69	190 Amp. 1 Alt. 2 Batt. Positive Ground
33-29	130 Amp. 2 Alt. 2 Batt. w/ Regulator Terminal	33-70	190 Amp. 1 Alt. 3 Batt. Positive Ground
33-30	130 Amp. 2 Alt. 3 Batt.	33-71	250 Amp. 1 Alt. 2 Batt. Positive Ground
33-31	130 Amp. 2 Alt. 3 Batt. w/ Regulator Terminal	33-72	250 Amp. 1 Alt. 3 Batt. Positive Ground
33-32	160 Amp. 1 Alt. 1 Batt.	33-73	300 Amp. 1 Alt. 2 Batt. w/ Excitation Term Positive Ground
33-33	160 Amp. 1 Alt. 2 Batt.	33-74	400 Amp. 1 Alt. 2 Batt. w/ Excitation Term Positive Ground
33-34	160 Amp. 1 Alt. 3 Batt.	33-86	Wire Adaptor for Delco CS130 Alternator
33-35	160 Amp. 1 Alt. 2 Batt. Delco CS w/o Adaptor Harness	33-87	Wire Adaptor for Delco CS130D & CS144 Alternator
33-36	160 Amp. 1 Alt. 2 Batt. Delco CS130 w/ Adaptor Harness	33-88	Excitation Lead Kit for Delco CS Alternator
33-37	160 Amp. 1 Alt. 2 Batt. Delco CS130D w/ Adaptor Harness	33-89	Conversion Lead Std Isolator to Delco CS Alternator
33-38	160 Amp. 1 Alt. 3 Batt. Delco CS w/o Adaptor Harness	33-94	300 Amp. 1 Alt 2 Batt.
33-39	160 Amp. 1 Alt. 3 Batt. Delco CS130 w/ Adaptor Harness	33-112	250 Amp. Negative rectifier for 22-114
33-40	160 Amp. 1 Alt. 3 Batt. Delco CS130D w/ Adaptor Harness	33-113	250 Amp. Positive rectifier for 22-114
33-41	160 Amp. 2 Alt. 3 Batt.	33-114	250 Amp. Rectifier assembly
33-42	190 Amp. 1 Alt. \ 75 Amp 1 Alt. 3 Batt.	33-115	250 Amp. 1 Alt. 2 Batt.
33-43	190 Amp. 1 Alt. 2 Batt.	33-116	250 Amp. 1 Alt. 1 Batt.
33-44	190 Amp. 1 Alt. 2 Batt. Delco CS w/o Adaptor Harness		



HDPSI Quality Replacement Parts

HD Power Solutions, Inc. is an industry-recognized leader in the manufacturing of electrical components for a variety of vehicles, including automotive, marine, recreational, transit and emergency service. Every product created at HDPSI is engineered and heat-chamber tested to withstand extreme amounts of heat, pressure, and strain. Because of the continuous wear and tear on engine components, HD Power Solutions, Inc. is constantly testing and developing new parts and products to meet customer demands. These new developments are held to the same standards that *Powerline* products have been held to in the past, requiring hours of engineering and heat-chamber testing before they are available for sale. Parts on the following pages are listed in series category and in alphabetical order.

APPLICATIONS:

- 23HD Series Alternators
- 24HD Series Alternators
- 25HD Series Alternators
- 28HD Series Alternators
- 31HD Series Alternators

WARRANTY:

- 12-month limited warranty

POWERLINE 23HD SERIES ALTERNATOR REPLACEMENT PARTS:

- | | |
|--------|--|
| 6-1 | Brush Assembly, S23 |
| 6-28 | Brush Assembly, Ignition Protected Alt. S23 |
| 9-1 | Capacitor, S23 |
| 9-3 | Capacitor, S23 |
| 7-23 | DE Bearing, S23 |
| 1-1 | DE Housing, GM, 2"x10mm, 6.60" c/I S23 |
| 1-8 | DE Housing, Ford 351 Mustang, 7.1" c/I S23 |
| 1-9 | DE Housing, Marine, 1"x10mm, 6.60" c/I S23 |
| 1-10 | DE Housing, Housing, 1"x1/2", 7.1" c/I S23 |
| 1-11 | DE Housing, Volvo, 1.75"x10mm, 7.1" c/I S23 |
| 1-12 | DE Housing, 7.1 Center, 2"x10mm S23 |
| 1-29 | DE Housing, Volvo, 1.75"x7/16", 7.1" c/I S23 |
| 1-36 | DE Housing, Red 2"x10mm 6.6 c/I S23 |
| 1-37 | DE Housing, Red 2"x10mm 7.1 c/I S23 |
| 1-38 | DE Housing, Red 1" x10mm 6.6 c/I S23 |
| 1-44 | DE Housing, Red 1"x1/2 7.1 c/I S23 |
| 1-45 | DE Housing, Red Dual Foot 7.1 c/I S23 |
| 1-48 | DE Housing, Red 1"x1/2 6.6 c/I S23 |
| 1-51 | DE Housing, Dual Foot, 7.1" c/I S23 |
| 1-57 | DE Housing, Red 1.75x10mm 7.1 c/I S23 |
| 5-4 | Diode, Negative S23 |
| 5-3 | Diode, Positive S23 |
| 5-23 | Diode Pair S23 |
| 8-30 | Fan, Bidirectional, Black S23 |
| 8-24 | Fan, Clockwise S23 |
| 8-26 | Fan, Clockwise, Black S23 |
| 11-502 | Harness, Plug Wiring (10pk) S23 |
| 11-91 | Harness, Regulator, Aqualine S23, S24, S25 |
| 11-80 | Harness, Regulator, 4-wire S23 |
| 5-69 | Heat Sink, Assy Negative for Ignition Protected Alt. S23 |
| 5-67 | Heat Sink, Assy Positive for Ignition Protected Alt. S23 |
| 5-66 | Heat Sink, Positive Bare for Ignition Protected Alt. S23 |
| 5-68 | Heat Sink, Negative Bare for Ignition Protected Alt. S23 |
| 13-113 | Kit, Marine Repair S23 |
| 15-21 | Kit, Marine, Universal S23 |
| 13-256 | Nut, Star Lock (10pk) S23 |
| 5-1 | Plate, Rectifier, Positive S23 |
| 5-2 | Plate, Rectifier Assembly, Positive S23 |
| 10-170 | Regulator, 12V S23, S24, S25 |
| 3-14 | Rotor, 12V S23 |
| 3-19 | Rotor, 12v for Ignition Protected S23 |
| 3-61 | Slip Ring, S23 |
| 7-22 | SRE Bearing, S23 |
| 2-17 | SRE Housing, S23 |
| 2-51 | SRE Housing, Dual Foot, Nickel Plated S23 |

POWERLINE HDPSI Quality Replacement Parts

POWERLINE 23HD SERIES ALTERNATOR REPLACEMENT PARTS:

2-52	SRE Housing, Dual Foot S23
2-26	SRE Housing, Dual Foot, Red S23
2-25	SRE Housing, Standard, Red S23
7-30	SRE Housing, Tolerance Ring S23
4-1	Stator, 120 Amp. S23
4-21	Stator, 100 Amp. S23
8-601	23 Series 2.2"x10mm
8-602	23 Series 2.2"x7/16"
8-603	23 Series 2.2"x1/2"
8-604	23 Series 2.2"x5/8"
8-605	23 Series 2.5"x9.5mm Volvo
8-606	23 Series 2.5"x7/16"
8-607	23 Series 2.5"x9/16"
8-608	23 Series 2.7"x10mm
8-609	23 Series 2.7"x7/16"
8-610	23 Series 2.7"x1/2"
8-611	23 Series 2.7"x9/16"
8-612	23 Series 2.7"x5/8"
8-613	23 Series 2.955"x9.5mm Volvo
8-614	23 Series 3.0"x3/8"
8-615	23 Series 3.0"x7/16"
8-616	23 Series 3.0"x1/2"
8-617	23 Series 3.0"x5/8"
8-641	23 Series 2.2"x7/16"x7/16"
8-642	23 Series 2.2"x1/2"x1/2"
8-643	23 Series 2.2"x5/8"x5/8"
8-644	23 Series 2.2"x1/2"x7/16" Ford 7.3L/460
8-645	23 Series 2.3"x3/8x3/8"
8-646	23 Series 2.5"x7/16"x7/16"
8-647	23 Series 2.7"x10mmx10mm
8-648	23 Series 2.7"x3/8"x3/8"
8-649	23 Series 2.7"x7/16"x7/16"
8-650	23 Series 2.7"x1/2"x1/2"
8-651	23 Series 2.7"x5/8"x5/8"
8-652	23 Series 2.7"x1/2"x7/16" Ford 7.3L/460
8-656	23 Series 3.0"x1/2"x1/2" (.404 center)
8-657	23 Series 3.0"x5/8"x5/8"
8-659	23 Series 2.7"x7/16"x7/16" Dodge 360 '91-'92
8-661	23 Series 3.0"x1/2"x1/2"
8-670	23 Series 1.9" K4
8-671	23 Series 1.9" K6 Ford/GM
8-672	23 Series 2.2" K3
8-673	23 Series 2.2" K4
8-674	23 Series 2.2" K5
8-676	23 Series 2.2" K6 Ford/GM
8-677	23 Series 2.2" K8
8-679	23 Series 2.2" K8 Cummins 6BT
8-685	23 Series 2.5" K4
8-686	23 Series 2.5" K5
8-690	23 Series 2.7" K5
8-692	23 Series 2.2" K8 Ford 7.3L '95

POWERLINE 24HD SERIES ALTERNATOR REPLACEMENT PARTS:

6-24	Brush, S24/S25
6-3	Brush assembly, Double Insulated S24
6-22	Brush assembly, Ext. rectified S24
6-23	Brush assembly, Insulated field S24
6-20	Brush assembly, Standard. S24
9-2	Capacitor, S24
7-25	DE Bearing, S24/S25TM
1-3	DE Housing, 2"x10mm S24
1-206	DE Housing, 2.5" x 10 mm S24
1-62	DE Housing, 4.6L S24
1-6	DE Housing, Dodge, 2.5"x7/16" S24
1-4	DE Housing, Ford, 3"x7/16" S24
1-5	DE Housing, Ford 351, 3"x7/16" S24
1-53	DE Housing, Ford T-mount S24
1-27	DE Housing, LTC 4.6L '96 S24
1-56	DE Housing, LTC 4.6L '96 S24
1-13	DE Housing, Oshkosh/Dodge, 3"x10mm S24
1-61	DE Housing, Red, 2"x10mm S24
5-5	Diode Pair, Positive, 160, 190, 200 Amp. S24/S25
5-6	Diode Pair, Negative, 160, 190 Amp. S24/S25
11-92	Dual Alt., Lincoln Town Car for add-on S24
8-32	Fan, Clockwise, Black S24
8-36	Fan, Clockwise, High-Speed 15,000 RPM Fits S24/S25
8-11	Fan, Clockwise, Metal S24/S25TM
11-91	Harness, Regulator, Aqualine – S23/S24/S25
15-39	Kit, T-mount bolt S24
15-59	Kit, 2000-2001 Chev/GM CK 5.3L S24
11-85	Leader, Special - 7' S24
11-84	LTC, 4 wire S24
11-504	Harness, Plug Wiring (10pk) S24
5-7	Plate, Rectifier, Negative S24
5-8	Plate, Rectifier, Positive S24
5-10	Rectifier Assembly, Negative S24
5-9	Rectifier Assembly, Positive S24
10-170	Regulator, 12V S23/S24/S25
3-11	Rotor, 24V, .875 shaft S24
3-15	Rotor, 12V, .875 Shaft S24
3-62	Slip Ring, S24
7-21	SRE Bearing, S24/S25

POWERLINE 24HD SERIES ALTERNATOR REPLACEMENT PARTS:

2-5	SRE Housing, Ext. Rectified, 1:00, 7:00 and 11:00 S24
2-56	SRE Housing, Ext. rectified, 1:00 AC tap S24
2-54	SRE Housing, Ford, T-mount S24
2-66	SRE Housing, Red S24
2-2	SRE Housing, Standard S24
2-64	SRE Housing, T-Mount Insulated Field S24
4-30	Stator, 100-Amp, 24V S24
4-36	Stator, 100-Amp, 12V S24
4-37	Stator, 160-Amp, S24
4-5	Stator, 190-Amp, S24
4-32	Stator, 220-Amp, S24
4-8	Stator, Ext. Rectified, 160-Amp, 1:00 AC tap S24
4-9	Stator, Ext. Rectified, 160-Amp, 7:00 AC tap S24
4-13	Stator, Ext. Rectified, 160-Amp, 11:00 AC tap S24
4-10	Stator, Ext. Rectified, 190-Amp, 1:00 AC tap S24
4-11	Stator, Ext. Rectified, 190-Amp, 7:00 AC tap S24
4-12	Stator, Ext. Rectified, 190-Amp, 11:00 AC tap S24
4-34	Stator, Ext. Rectified, 220-Amp, 1:00 AC tap S24
4-35	Stator, Ext. Rectified, 220-Amp, 11:00 AC tap S24
4-6	Stator, Welder (PA150), 160-Amp, S24
4-7	Stator, Welder (PA150), 190-Amp, S24
5-47	Output stud support S24
8-300	24 Series 2.2"x7/16"
8-301	24 Series 2.2"x1/2"
8-302	24 Series 2.3"x7/17"
8-303	24 Series 2.5"x1/2"
8-307	24 Series 2.7"x7/16"
8-308	24 Series 2.7"x1/2"
8-309	24 Series 2.7"x5/8"
8-311	24 Series 3.0"x3/8"
8-312	24 Series 3.0"x7/16"
8-313	24 Series 3.0"x1/2"
8-314	24 Series 3.0"x5/8"
8-316	24 Series 3.25"x1/2"
8-330	24 Series 2.2"x7/16"x7/16"
8-331	24 Series 2.2"x1/2"x1/2"
8-333	24 Series 2.3"x1/2"x1/2"
8-337	24 Series 2.5"x1/2"x7/16" Ford 7.3L/460
8-339	24 Series 2.5"x3/8"x3/8"
8-340	24 Series 2.7"x3/8"x3/8"
8-341	24 Series 2.7"x3/8"x3/8" Volvo
8-342	24 Series 2.7"x3/8"x3/8" Dodge
8-343	24 Series 2.7"x7/16"x7/16"
8-344	24 Series 2.7"x7/16"x7/16" Dodge 360 '89-'91
8-345	24 Series 2.7"x1/2"x1/2"
8-346	24 Series 2.7"x5/8"x5/8"
8-347	24 Series 2.7"x1/2"x7/16" Ford 7.3L/460
8-348	24 Series 2.7"x1/2"x1/2" Navistar DT 360
8-349	24 Series 2.7"x7/16"x7/16" Oshkosh w/ Dodge 360
8-351	24 Series 3.0"x7/16"x7/16"
8-352	24 Series 3.0"x1/2"x1/2"
8-354	24 Series 3.0"x5/8"x5/8"
8-355	24 Series 3.0"x1/2"x1/2" Navistar DT 360 (Delco)
8-357	24 Series 3.0"x10mmx10mm

POWERLINE 24HD SERIES ALTERNATOR REPLACEMENT PARTS:

8-400	24 Series 1.9" K5
8-401	24 Series 1.9" K6 Ford/GM
8-402	24 Series 1.9" K6 Spl (+ .070 center)
8-409	24 Series 2.2" K5 Ford Taurus SHO V6
8-410	24 Series 2.2" K5 Cummins L10
8-411	24 Series 2.2" K6 Ford/GM
8-413	24 Series 2.2" K8 Cummins 6BT
8-414	24 Series 2.3" K7 LTC 4.6L '91-'92
8-415	24 Series 2.5" K5 Cummins L10
8-416	24 Series 2.2" K6 LTC 4.6L '93-'96
8-420	24 Series 2.7" K4
8-421	24 Series 2.7" K5 Cummins L10
8-422	24 Series 2.7" K6 Ford/GM
8-423	24 Series 2.2" K6 Special
8-426	24 Series 1.9" K8 Cummins 6 BT
8-427	24 Series 2.5" K6 Ford/GM
8-428	24 Series 2.5" K8 Ford 7.3L '95
8-429	24 Series 2.5" K7 Ford 7.3L, '94 1/2
8-430	24 Series 2.2" K8 Ford 7.3L '95
8-431	24 Series 1.9" K8 Ford 7.3L '95
8-432	24 Series 2.2" K7 Dodge '96
8-433	24 Series 1.9" K6 LTC 4.6L '94-'96
8-434	24 Series 2.1" K6 Chevy. Lumina '96
8-435	24 Series 2.2 K8 Ford V10
8-436	24 Series 1.9 k8 Ford V10
11-81	24 Series 4 wire

POWERLINE 25HD SERIES ALTERNATOR REPLACEMENT PARTS:

7-21	Bearing SRE S24/S25
6-24	Brush, S24/S25
6-8	Brush holder, S25
6-11	Brush holder, S25
6-25	Brush holder, S25
6-26	Brush holder, S25
6-27	Brush holder, S25
9-10	Capacitor, PA7 S25
7-24	DE Bearing, S25
7-25	DE Bearing, S24/S25TM
1-54	DE Housing, 250-Amp S25
1-217	DE Housing, T-Mount S25
5-6	Diode Pair, Negative, 160/190-Amp S24/S25
5-35	Diode Pair, Negative, 200-Amp S25
5-5	Diode Pair, Positive, 160/190/200-Amp S24/S25
8-700	Fan, Bidirectional, Machined, Aluminum S25
8-36	Fan, Clockwise, High Speed 15,000 RPM S24/S25
8-37	Fan, Clockwise S25
8-11	Fan, Clockwise, Metal S24/S25TM
8-21	Fan, Navistar S25
10-33	Field Cover, S25

POWERLINE 25HD SERIES ALTERNATOR REPLACEMENT PARTS:

5-70	Heat Sink, Negative S25, PA7
5-29	Heat Sink, Negative, 160/190-Amp S25
5-31	Heat Sink, Negative, Horseshoe, 200-Amp S25
5-45	Heat Sink, Positive, 5/16 Carriage Bolt S25
5-30	Heat Sink, Pos, 5/16 Carr. Bolt, 160/190/200-Amp S25
5-65	Heat Sink, Right S25
5-71	Heat Sink Assembly, Negative PA7 S25
15-62	Kit T-Mount Bolt S25
5-63	Pad, Mounting S25
5-33	Rectifier Assembly, Negative, 160/190-Amp S25
5-44	Rectifier Assembly Positive, 5/16 Carriage Bolt S25
5-32	Rectifier Assembly Pos. Rt side 160/190/200-Amp S25
10-213	Regulator, 12V, Internal, Non Adjustable S25
10-214	Regulator, 12V, Internal, Adjustable S25
10-170	Regulator, 12V S23/S24/S25
10-12	Regulator, 24V, Internal S25
11-91	Regulator Harness, Aqualine S23/S24/S25
3-13	Rotor, 24V 25Series
3-16	Rotor, 12V 25 Series
3-63	Slip Ring, 25 Series
2-10	SRE Housing, 160/190-Amp S25
2-53	SRE Housing, 250 Amp. S25
2-58	SRE Housing, Externally Rectified, S25
2-14	SRE Housing, Ext. Rectified 160/190/200-Amp S25
2-57	SRE Housing, Ext. rectified, 250-Amp S25
2-59	SRE Housing, T-Mount S25
4-14	Stator, 160 Amp S25
4-24	Stator, 190-Amp S25
4-25	Stator, 200-Amp S25
4-29	Stator, 250-Amp S25
4-28	Stator, 24V, 100-Amp S25
4-46	Stator, Dual Delta, 220-Amp S25
4-47	Stator, Dual Delta, 275-Amp S25
4-43	Stator, Dual Delta, T-Mount, 160-Amp S25
4-44	Stator, Dual Delta, T-Mount, 220-Amp S25
4-45	Stator, Dual Delta, T-Mount, 275-Amp S25
4-26	Stator, Ext. rectified, 200-Amp S25
4-63	Stator, Pad Mount, 275-Amp S25
8-501	25 Series 3.0"x1/2"x1/2"
8-500	25 Series 3.0"x1/2"x1/2"
8-502	25 Series 3.0"x1/2"x1/2"
8-504	25 Series 2.92"x1/2"x1/2"
8-505	25 Series 3.0"x5/8"
8-506	25 Series 3.0"x1/2"x1/2" Navistar DT360
8-507	25 Series 2.2" K8 Cummins 6 BT
8-508	25 Series 3.0"x1/2"x1/2" Navistar
8-509	25 Series 3.0"x1/2"x1/2"

POWERLINE 25HD SERIES ALTERNATOR REPLACEMENT PARTS:

8-510	25 Series 2.92" K8 Cat 3176
8-511	25 Series 2.2"x1/2"x1/2" Hercules
8-512	25 Series 2.5"x1/2"x1/2" Spl Detroit Diesel 60 Series
8-513	25 Series 2.5"x1/2"
8-514	25 Series 2.5" K5 Cummins L10
8-515	25 Series 2.2" K8 Cummins New Lio-Electronic
8-516	25 Series 2.75"x1/2"x1/2"
8-517	25 Series 3.0"x5/8"x5/8"
8-518	25 Series 2.5" K6
8-519	25 Series 2.55" K8 Cummins
8-520	25 Series 5"x5/8"
8-521	25 Series 2.4"x1/2"x1/2"
8-522	25 Series 2.5" K8 Navistar DT466, DT530
8-523	25 Series 2.7" K6
8-524	25 Series 2.2" K8 Ford 7.3 diesel
8-525	25 Series 3.0"x3/8x3/8
8-526	25 Series 1.9 K8
8-527	25 Series 2.2" K8
8-529	25 Series 3"x1.2"x1/2" Ingersol Rand
8-530	25 Series 1.90" K8 Ford 7.3 Diesel
8-531	25 Series J180 K6 1.9"
11-82	4 wire S25
11-83	4 wire Monaco Special S25
11-88	4 wire Dual Alternator S25

POWERLINE 28HD SERIES ALTERNATOR REPLACEMENT PARTS:

11-123	Harness, 3G 6G, Universal 28S
11-124	Harness, 3G 6G, Universal, 3 Feet Longer 28S
4-60	Stator, 180-Amp S27, S28

POWERLINE 31HD SERIES ALTERNATOR REPLACEMENT PARTS:

88-935	Bearing - Front Ball
88-171	Bearing - Rear Needle
88-679	DE Housing
88-300	Fan - Clockwise - Blue
88-367	Rectifier - 12v
88-368	Rectifier - 24v
88-401	Regulator - 12v
88-406	Regulator - 24v
88-258	Rotor - 12v
88-137	Rotor - 24v
88-277	SRE Housing
88-739	Stator - 200-amp, 12v
88-268	Stator - 160-amp, 12v
88-237	Stator - 150-amp, 24v

All other parts available by contacting HDPSI at (800) 443-9394 or Fax: (817) 531-2755.



NOTES



HDPSI's PRICING STRUCTURE

Pricing Levels: HDPSI recognizes four levels of customers for the purchase of our products. The OEM, DISTRIBUTER, DEALER, and RETAIL customer levels are all important to our business and have access to purchases directly from HDPSI. The pricing levels are strictly followed in order to insure that our industry professional Distributors' and Dealers' additional efforts and expenses incurred in order to sell and service our products are not undercut by the manufacturer. Our pricing policies allow for direct sales to retail customers, without infringing on the advantages and incentives of those professional operations and businesses that purchase our products for resale. These policies are reviewed and HDPSI reserves the right to change them, as necessary.

LEVEL QUALIFICATIONS

OEM (Original Equipment Manufacturer): A manufacturer of motor vehicles or marine equipment that, through a direct contract or agreement with HDPSI, incorporates our products into their finished products for sale to the public. Prices, alternate warranty specifications, and other special considerations will be per written agreement with each OEM. If no agreement is made, OEM pricing will be based on the OEM qualifying for Distributor or Dealer pricing levels, as defined below, and the normal warranty applies.

Distributor: A business facility that operates with the direct purpose to advertise, aggressively represent and sell our products to multiple Dealer and/or Retail customers. Companies that have purchased a minimum of \$5,000 of HDPSI products in any immediately preceding 12-month period qualify for this reduced pricing level on current orders. When unable to qualify with the appropriate 12-month purchase record, a company can still qualify for the pricing advantage afforded to a Distributor for each part number ordered in quantities of three or more per order. This insures that the Distributor has on-hand the units necessary to service their customers and has been rewarded for their investment in their future volume sales of HDPSI products. This pricing advantage is significant and is extended to the Distributor for their aggressive advertising, representation and sales.

Dealer: Our Dealer price level recognizes parts sales, service, and maintenance business facilities that operate with the direct purpose of representing and selling our products to multiple retail customers. We understand that many businesses are not structured for large scale distribution or the costly advertising and marketing expenditures, but should be supported in a way that they too can profit while serving customer needs with HDPSI products.

Retail: Retail customers are private concerns or individuals who purchase HDPSI products for installation on their personal vehicles or watercraft. HDPSI products can be purchased for MSRP (Manufactured Suggested Retail Price) from HDPSI directly or through an HDPSI Distributor or Dealer. Our MSRP pricing will reflect the current HDPSI-published and competitive fair market value for such products.



HDPSI's STANDARD LIMITED WARRANTY

Products Covered: Each alternator, voltage regulator, isolator, power cable, wiring harness, and external rectifier manufactured and sold as new by HD Power Solutions, Inc. (HDPSI) is covered by the HDPSI Standard Limited Warranty.

Warranty Period and Condition: HDPSI warrants each HDPSI product sold as new against failure due to defects in material or workmanship for a period of 12 months. HDPSI will, at its sole discretion, repair or replace on an exchange basis, any unit which is returned to HDPSI and found, to the satisfaction of HDPSI, to be defective in material and/or workmanship.

Warranty Period and Start Date: The HDPSI warranty starts when the end user purchases our product for installation and use, and extends through 12 calendar months thereafter. Proof of purchase is required when submitting warranty claims. If none is available, the date the serial-numbered item was shipped from HDPSI's manufacturing facility will be used as the 12-month warranty starting date.

Labor: Labor to remove and/or replace or troubleshoot the product under warranty is not included in this limited warranty.

Freight: Warranty items must be shipped to HDPSI with paid freight. Collect freight shipments will not be accepted. HDPSI will ship repaired or replacement products as replacements for all accepted warranty claims via prepaid ground freight. Customers may choose and pay for alternative shipment upgrades.

What is NOT Covered: HDPSI does not assume responsibility for loss of any vehicle, including boats or any other equipment, loss of use of a vehicle, loss of time, towing, telephone, travel, lodging, inconvenience, loss of revenues or cost of a replacement rental vehicle. HDPSI shall not be liable for incidental or consequential damages arising out of, or from the use of, HDPSI products by the buyer, its assignees, employees, agents or customers.

This warranty does not apply if, in the sole judgment of HDPSI, the product has been damaged due to accident, improper installation, adjustment, wiring, neglect, misuse or application for which it is not designed, or if altered in any way so as to affect adversely its safety, reliability and/or performance. Also excluded from this warranty are parts subject to normal wear (i.e. brushes).

Requesting Warranty Coverage and Assistance: Contact HDPSI Customer Service and Technical Support at 1-800-443-9394 for detailed instructions.

Local Repair: In some instances where HDPSI-authorized repair stations are available in the local area, HDPSI may authorize, at our sole discretion, for a local repair. The repair will be limited to one (1) hour labor reimbursement at HDPSI's warranty labor rate using replacement parts supplied by HDPSI.



HDPSI's WARRANTY PROCEDURE DURING YOUR 12-MONTH WARRANTY PERIOD

If your vehicle/boat is losing voltage...

- Locate the alternator, regulator, or isolator in the engine compartment.
- Look for the *POWERLINE* tag or label.

If the tag/label is *POWERLINE*...

- Call HDPSI Technical Support at (800) 443-9394.
- Technical Support Personnel will walk you through steps to diagnose if the problem is with your *POWERLINE* product(s).

If the problem is with your *POWERLINE* product...

- You will be directed where to have your *POWERLINE* unit repaired or replaced by HDPSI Technical Support.

HDPSI's RESTOCKING POLICY

Customers may return products for restocking at HDPSI within 90 days of purchase. Returned items must be in the same condition as they were originally shipped from HDPSI and there is a 20% restocking fee. For more information, call HDPSI.

HDPSI Warranty Procedure and Restocking Policy



NOTES



Power that keeps the world moving!