

ARCHER

AIRPLANE PARTS CATALOG

CARD 1 OF 2

PA-28-181 ARCHER II

PA-28-181 ARCHER III

PIPER AIRCRAFT CORPORATION

[PART NUMBER 761 678]

1A1

REISSUED: SEPTEMBER 15, 1994

**PIPER AIRCRAFT
PA-28-181
AIRPLANE PARTS CATALOG**

Published by
Technical Publications

Piper Aircraft Corporation
2926 Piper Drive
Vero Beach, Florida 32960
U.S.A.



Member of GAMA
General Aviation
Manufacturers Association

Reissued: September 15, 1994

1A2

Island Enterprises

PIPER AIRCRAFT PA-28-181 AIRPLANE PARTS CATALOG

AEROFICHE EXPLANATION AND REVISION STATUS

The Parts Catalog information in this set of Aerofiche cards is arranged in accordance with general specifications of Aerofiche adopted by the General Aviation Manufacturer's Association.

Conversion of Aerofiche alpha/numeric code numbers:

First number is the Aerofiche card identifier.

Letter is the horizontal line reference per card.

Second number is the vertical line reference per card.

Example: 2J16 = Aerofiche card number two of given set, Grid location J16.

REVISIONS

The information compiled in this Aerofiche Parts Catalog is kept current by revisions distributed periodically. Each revision is a complete Aerofiche card replacement and supersedes Aerofiche cards of the same number in the set.

Revisions to this PA-28-181 Parts Catalog (761 678) issued September 4, 1978 are as follows:

<u>Effectivity</u>	<u>Publication Date</u>	<u>Aerofiche Card Effectivity</u>
CR940915	September 15, 1994	1 and 2

Reissued: September 15, 1994

**PIPER AIRCRAFT
PA-28-181
AIRPLANE PARTS CATALOG**

INTRODUCTION

This illustrated Parts Catalog provides simple, positive identification of replacement parts for the Piper Model PA-28-181 manufactured by the Piper Aircraft Corporation of Vero Beach, Florida.

NOTE: DO NOT USE THIS CATALOG FOR RIGGING AND INSTALLATION PURPOSES.

1. The catalog is divided into thirteen major sections as follows:
 - a. Section I to XII inclusive contains all replacement parts for the complete airplane. Each section is subdivided and each division includes an illustration and a parts listing.
 - b. Section XIII is the Miscellaneous Group. This group includes an illustration and parts list for the Placards and Exterior Stencils, a listing of the Optional Equipment Kits, Repair kits and Special Tools, and a listing of Miscellaneous Hardware and Consumables.

2. The following is a brief explanation of the columns in the parts lists: (Refer to EXAMPLE below).
 - a. The FIGURE AND INDEX NUMBER column indicates the illustration figure number and its part index number. EXAMPLE: (2-1), the 2 is the figure number and the 1 is the index number. The figure number appears only at the top of each parts list page.
 - b. The PART NUMBER column contains the identifying number of the replacement part and this number must be shown on all parts orders.
 - c. The CODE column is for the purpose of indicating special uses of the part. An explanation of the letter code used is shown on the grid (page) preceding each parts listing and pertains to that listing only.
 - d. The NOMENCLATURE column indicates the part name. This name must be shown on all parts orders.
 - e. The NO. REQ. (Number Required) column represents the total quantity of parts used per figure when the part is not indented and the quantity of parts used per assembly when the part is indented. The symbol AR listed in this column means As Required.
 - f. The SERIAL NUMBERS AFFECTED column indicates the part application by airplane serial number. Unless otherwise noted, serial numbers listed with the model year and up (ex. 28-7690001 and up) are intended to include the new style of serial numbers that do not reference the model year (ex. 2890001 and up).

EXAMPLE

Figure and Index Number	Part Number	Code	NOMENCLATURE	No. Req.	SERIAL NUMBERS AFFECTED
2-1	XXXXX-XX		DOOR ASSEMBLY - Baggage compartment	X	
-2	XXXXX-XX		* TUBE ASSEMBLY - Baggage door latch	X	
-3	XXXXX-XX		* * CLEVIS - Door latch tube assembly	X	
-4	XXXXX-XX		* * CLIP - Door latch tube assembly	X	

In the nomenclature column, the next higher assembly relationship of items covered is shown by the degree of indentation of each item and is indicated by an asterisk (*). One asterisk signifies one indentation, two signifies two indentions, etc. The example listing above is interpreted as follows:

If the DOOR ASSEMBLY (not indented) is ordered, it will include the three items indented under the DOOR ASSEMBLY.

If the TUBE ASSEMBLY (indented one space) is ordered, it will include the two items indented under the TUBE ASSEMBLY.

If you want only a CLEVIS or CLIP, you order only that item.

PIPER AIRCRAFT PA-28-181 AIRPLANE PARTS CATALOG

3. Piper Aircraft will supply all attaching parts to its customers in any quantity. When purchasing the attaching parts such as nuts, bolts, washers, cotter pins, etc. from Piper Aircraft, the customer or service center need only order the part(s) needed.
4. All items of Optional Equipment are contained in the parts list in their proper sequence and sections. These items were not marked optional, since they are fully identified by their descriptions.

HOW TO IDENTIFY A PART IF YOU KNOW WHAT IT LOOKS LIKE AND KNOW WHERE IT IS LOCATED

1. Refer to Figure 1 to determine the section number in which the part is used.
2. Refer to the Table of Contents and locate the section. Note the figure numbers that illustrate the various subgroups of this main section. Select the figure title you think might contain the part you wish to identify and proceed to the grid (page) specified. If you don't find the part on this illustration, try another figure in this group.
3. Refer to Figure and Index Number in the parts listing for description of the part.

HOW TO ORDER PARTS

When ordering parts for your Piper airplanes, please observe the following instructions:

1. Place your order with your local distributor or service center.
2. Specify the model and serial number of your airplane.
3. Specify Part Number, Name, Type and Quantity Required.
4. Specify the method of shipment — freight, express, parcel post, air express, air freight or air parcel post. Where the nature of the shipment requires it or when no instructions are given, we reserve the right to ship the most suitable way.
5. Request price and delivery information prior to order placement.

GENERAL INFORMATION

1. Shortages
All orders are checked before leaving our Shipping Department. A packing slip is enclosed with the shipment. Claims for errors or shortages must be made within three days after receipt of orders.
2. Returned Goods
No material should be returned without first securing written permission. Material sent in without notice will be held at the owner's risk for thirty days and will then be disposed of as we see fit.

Transportation charges must be prepaid on returned goods or the shipment will be refused.

3. Transportation Liabilities
The Piper Aircraft Corporation cannot be held liable for damages to parts in transit from the factory. If a shipment is received in a damaged condition, have the delivery man or transportation company make a notation of the damage and file your claim with the carrier. In case of concealed damage, do not attempt to remove the part from the shipping container, or try to repair the damage, call the carrier and have their claim agent inspect the damage before filing your claim with the carrier.

**PIPER AIRCRAFT
PA-28-181
AIRPLANE PARTS CATALOG**

MODEL SERIAL NUMBER INFORMATION

The serial numbers of the aircraft covered by this Parts Catalog are as follows:

Serial Numbers of the 1976 PA-28-181 ARCHER II Models are 28-7690001 thru 28-7690467.
Serial Numbers of the 1977 PA-28-181 ARCHER II Models are 28-7790001 thru 28-7790607.
Serial Numbers of the 1978 PA-28-181 ARCHER II Models are 28-7890001 thru 28-7890551.
Serial Numbers of the 1979 PA-28-181 ARCHER II Models are 28-7990001 thru 28-7990589.
Serial Numbers of the 1980 PA-28-181 ARCHER II Models are 28-8090001 thru 28-8090372.
Serial Numbers of the 1981 PA-28-181 ARCHER II Models are 28-8190001 thru 28-8190318.
Serial Numbers of the 1982 PA-28-181 ARCHER II Models are 28-8290001 thru 28-8290178.
Serial Numbers of the 1983 PA-28-181 ARCHER II Models are 28-8390001 thru 28-8390090.
Serial Numbers of the 1984 PA-28-181 ARCHER II Models are 28-8490001 thru 28-8490112.
Serial Numbers of the 1985 PA-28-181 ARCHER II Models are 28-8590001 thru 28-8590092.
Serial Numbers of the 1986 PA-28-181 ARCHER II Models are 28-8690001 thru 28-8690008,
28-8690010 thru 28-8690011,
28-8690014 thru 28-8690017,
28-8690019 thru 28-8690056,
2890001 thru 2890008,
2890010 thru 2890021,
2890023 thru 2890025.
Serial Numbers of the 1987 PA-28-181 ARCHER II Models are 28-8690009, 28-8690012, 28-8690013,
28-8690018, 2890009, 2890022,
2890026 thru 2890048.
Serial Numbers of the 1988 PA-28-181 ARCHER II Models are 2890049 thru 2890099.
Serial Numbers of the 1989 PA-28-181 ARCHER II Models are 2890100 thru 2890136,
2890140 thru 2890145,
2890147, 2890149 thru 2890153.
Serial Numbers of the 1990 PA-28-181 ARCHER II Models are 2890137 thru 2890139, 2890146,
2890148, 2890154, 2890168 thru 2890169.
Serial Numbers of the 1992 PA-28-181 ARCHER II Models are 2890155 thru 2890167,
2890170.
Serial Numbers of the 1993 PA-28-181 ARCHER II Models are 2890171 thru 2890195.
Serial Numbers of the 1994 PA-28-181 ARCHER II Models are 2890196 thru 2890205.
Serial Numbers of the 1994 PA-28-181 ARCHER III Models are 2890206 and up.

SERIAL NUMBER EXPLANATION

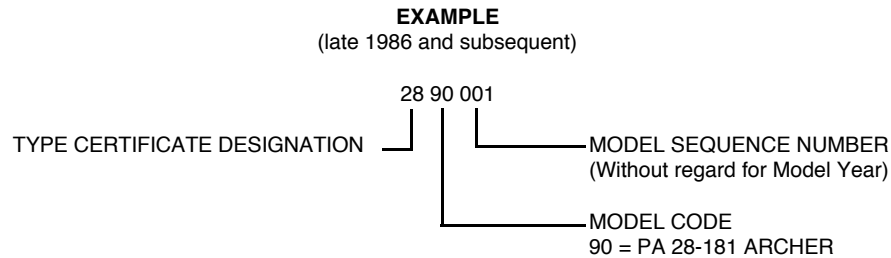
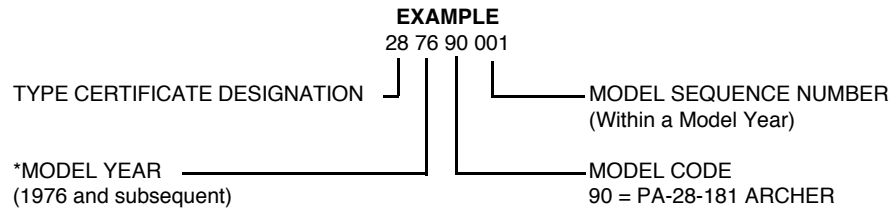
(SEE NEXT PAGE FOR SERIAL NUMBER EXPLANATION)

PIPER AIRCRAFT PA-28-181 AIRPLANE PARTS CATALOG

SERIAL NUMBER EXPLANATION

The Serial Number on the Manufacturer's Identification Plate is based on either a 3- or 4-set numbering system. In the 4-set system, the first set defines the Type Certificate Designation, the second set is the Model Year, the third set is the Model Code, while the fourth set is the Model Sequence Number (within a model year).

The 3-set system omits the model year* and begins a new sequence with 2890001. This new sequence continues without renumbering for a new year.



PIPER AIRCRAFT PA-28-181 AIRPLANE PARTS CATALOG

STANDARD PAINT CHART

	MFG. NO.	PIPER PART NUMBER	
EXTERIOR		QUART	GALLON
POLYURETHANE ENAMEL (Dupont Imron)			
Baja Yellow	H7850U	4175 461	1175 461
Juneau White	H7848U	4175 462	1175 462
Ocala Orange	H7857UM	4175 463	1175 463
Madrid Red	H7851UM	4175 464	1175 464
Bahama Blue	H7853U	4175 465	1175 465
Alvocado	H7852U	4175 466	1175 466
Las Vegas Gold	5242U	4176 121	1176 121
Dakota Black	99U	4175 467	1175 467
Denver Brown	H7859U	4176 122	1176 122
Matador Red	H7858U	4175 468	1175 468
Royal Blue	H7856U	4175 469	1175 469
Hickory Brown	H7855U	4175 470	1175 470
Silver	4531U	4176 123	1176 123
Lime Green	H7854U	4175 460	1175 460
Sage Green	K7887U	4176 132	1175 460
Firethorn	K7888UW	4176 133	1176 133
Buckskin	K7890U	4176 135	1176 135
Dark Blue	K7891U	4176 136	1176 136
Platinum Gray	N7819U	4176 126	1176 126
Sandalwood Tan	N7818U	4176 127	1176 127
Dark Claret	K7886U	4176 131	1176 131
Burnished Gold	N8068U	4763 528	1763 528
Light Blue	K8149U	4763 529	1763 529
Dark Saddle	N8070U	4763 530	1763 530
Dark Green	N8071U	4763 531	1763 531
Saffron	K7889UH	4763 532	1763 532
Light Sandalwood	W8275	4763 533	1763 533
Light Platinum	W8274	4763 534	1763 534
Catalyst (Activator)	912S	4179 950	1179 950
Reducer	Y8485S	4179 145	1179 145
Retarder	8100S	4179 599	1179 599
Accelerator	189S	4179 951	
POLYURETHANE PRIMER (Dupont Imron)			
Wash Primer	B9287	4170 766	1179 766
Wash Primer Thinner	K1733	4179 452	1179 452
Acid Thinner	B9289	4179 403	1179 403
INTERIOR			
INSTRUMENT PANEL			
Cadet Dark Grey			170 902
Grey II (Flat Tan)	D127		170 907

**PIPER AIRCRAFT
PA-28-181
AIRPLANE PARTS CATALOG**

TABLE OF CONTENTS

FIGURE NUMBER	FIGURE TITLE	GRID NUMBER
1	View of Complete Airplane.....	1A13, 2A13
SECTION I WING GROUP		
2	Wing Installation.....	1A15
3	Wing Leading Edge Assembly.....	1A20
4	Wing Trailing Edge Assembly.....	1A24
5	Aileron Assembly.....	1B4
6	Flap Assembly.....	1B7
SECTION II FUSELAGE GROUP		
7	Fuselage Assembly Complete.....	1B11
8	Fuselage Upper Forward Cockpit Assembly.....	1B14
9	Fuselage Upper Center Cockpit Assembly.....	1B18
10	Fuselage Lower Forward Cockpit Assembly.....	1B23
11	Fuselage Lower Aft Cockpit Assembly.....	1C4
12	Fuselage Aft Section.....	1C7
13	Fuselage Cabin and Baggage Door Installation (28-7690001 only).....	1C11
14	Fuselage Cabin and Baggage Door Installation (28-7690002 and up).....	1C16
15	Fuselage Enclosure Installation.....	1C21
SECTION III TAIL SURFACES GROUP		
16	Tail Surfaces Installation.....	1D3
17	Stabilator Assembly.....	1D7
18	Fin Assembly	1D10
19	Rudder Assembly.....	1D13
SECTION IV LANDING GEAR GROUP		
20	Nose Gear Installation	1D17
21	Nose Gear Strut Assembly.....	1D21
22	Nose Wheel Assembly (Cleveland)	1D24
23	Nose Wheel Assembly (McCauley).....	1E3
24	Main Gear Installation.....	1E6
25	Main Wheel Assembly	1E10
26	Brake Assembly.....	1E13
27	Main and Nose Wheel Fairing Installation (28-7690001 to 28-7790607 incl.).....	1E16
28	Main and Nose Wheel Fairing Installation (28-7890001 and up).....	1E19
29	Main Landing Gear Strut Fairing Installation.....	1E23
30	Hand Brake Installation.....	1F3
31	Toe Brake Installation.....	1F6
32	Toe Brake Master Cylinder Assembly.....	1F9

**PIPER AIRCRAFT
PA-28-181
AIRPLANE PARTS CATALOG**

TABLE OF CONTENTS

FIGURE NUMBER	FIGURE TITLE	GRID NUMBER
SECTION V CABIN EQUIPMENT GROUP		
33	Cockpit Finishing Installation.....	1F13
33A	Window Curtains Installation (28-8090001 and up).....	1F21
33B	Interior Panels (2890206 and up).....	1F24
34	Carpet Installation.....	1G4
35	Seats Installation.....	1G10
36	Vertically Adjustable Front Seat Assembly.....	1G15
36A	Vertically Adjustable Front Seat Assembly (2890206 and up).....	1G20
36B	Lumbar Installation - Crew Seats (Optional).....	1G24
SECTION VI INSTRUMENTS GROUP		
37	Instrument Panel Installation (28-7690001 thru 28-8690056, and 2890001 thru 2890205).....	1H5
37A	Instrument Panel Installation (2890206 and up).....	1H10
38	Vacuum System Installation (28-7690001 thru 28-8690056, and 2890001 thru 2890205).....	1H13
38A	Vacuum System Installation (2890206 and up).....	1H16
38B	Auxiliary Vacuum System Installation.....	1H19
39	Pitot Static System Installation.....	1H23
SECTION VII POWER PLANT GROUP		
40	Power Plant Installation (28-7690001 thru 28-8690056, and 2890001 thru 2890205).....	1I3
40A	Power Plant Installation (2890206 and up).....	1I7
41	Engine Exhaust System Installation (28-7690001 thru 28-8690056, and 2890001 thru 2890205)....	1I11
41A	Engine Exhaust System Installation (2890206 and up).....	1I14
42	Engine Baffle Installation (28-7690001 thru 28-8690056, and 2890001 thru 2890205).....	1I17
42A	Engine Baffle Installation (2890206 and up).....	1I20
43	Engine Cowl Installation (28-7690001 thru 28-8690056, and 2890001 thru 2890205).....	1I23
43A	Engine Cowl Installation (2890206 and up).....	1J2
44	Engine Controls Installation.....	1J5
SECTION VIII FUEL SYSTEM GROUP		
45	Fuel System Installation (28-7690001 to 28-7990626 incl.).....	1J11
45A	Forward Fuel System Installation (28-8090001 and up).....	1J15
46	Aft Fuel System Installation (28-8090001 and up).....	1J19
47	Fuel Tank Assembly.....	1J22
SECTION IX CONTROL SYSTEM GROUP		
48	Control System Installation.....	1K3
49	Flap Control Installation.....	1K8
50	Stabilator Trim Installation.....	1K12
51	Rudder Trim Mechanism Installation.....	1K16
52	Control Wheel Installation.....	1K19
53	Rudder Pedal Installation.....	1K23

**PIPER AIRCRAFT
PA-28-181
AIRPLANE PARTS CATALOG**

TABLE OF CONTENTS

FIGURE NUMBER	FIGURE TITLE	GRID NUMBER
SECTION X ENVIRONMENTAL GROUP		
54	Cabin Heat and Defroster Installation.....	2A15
55	Fresh Air Ventilation Installation.....	2A19
56	Air Conditioning Compressor, Refrigerant Lines, and Alternator Installation (14 volt system, R-12 refrigerant)	2B1
56A	Air Conditioning Compressor, Refrigerant Lines, and Alternator Installation (28 volt system, HFC-134a refrigerant).....	2B5
57	Air Conditioning Duct and Evaporator Installation (14 volt system, R-12 refrigerant).....	2B9
57A	Air Conditioning Duct and Evaporator Installation (28 volt system, HFC-134a refrigerant).....	2B12
58	Air Conditioning Condenser Installation (14 volt system, R-12 refrigerant).....	2B15
58A	Air Conditioning Condenser Installation (28 volt system, HFC-134a refrigerant).....	2B19
SECTION XI ELECTRICAL SYSTEM GROUP		
59	Electrical System Installation.....	2C1
60	Instrument Panel Electrical Installation (28-7690001 thru 28-8690056, and 2890001 thru 2890205).....	2C6
60A	Instrument Panel Electrical Installation (2890206 and up).....	2C10
60B	Overhead Switch Panel (2890206 and up).....	2C13
61	Air Conditioning Electrical Installation.....	2C16
62	Battery Installation (28-7690001 thru 28-8690056, and 2890001 thru 2890205).....	2C21
62A	Battery Installation (2890206 and up).....	2C24
63	External Power Supply Installation (28-7690001 thru 28-8690056, and 2890001 thru 2890205).....	2D3
63A	Auxiliary Power Receptacle Installation (2890206 and up).....	2D6
64	Alternator Assembly and Installation (Chrysler).....	2D9
65	Alternator Assembly (Prestolite).....	2D13
66	Strobe Lights Installation.....	2D16
SECTION XII ELECTRONICS GROUP		
67	Electric Trim Installation.....	2D21
68	AutoFlite II Installation.....	2D24
69	AutoControl IIIB Installation (28-7690001 to 28-8290188 incl.).....	2E3
69A	Century 21 AutoPilot Installation (28-8190019 and up).....	2E8
69B	King KAP 100/150 AutoPilot Installation (28-8390001 and up).....	2E11
70	Piper Automatic Locator (ELT) Installation (Garret Mfg. Ltd.).....	2E14
71	Piper Automatic Locator (ELT) Installation (Communications Components Corp.).....	2E17
71A	Piper Automatic Locator (ELT 10) Installation (Narco Avionics).....	2E20
71B	Piper Automatic Locator (ELT 910) Installation (Narco Avionics)	2E23
72	Encoder Installation (Narco - AR 500 and United - 5125-P3) (28-7790001 and up)	2F2
73	Radio, Antenna System, and Static Wicks Installation	2F5
74	Audio Selector Assembly.....	2F11
75	Avionics Cooling Installation.....	2F14
	Avionics Installation Drawings.....	2F17

**PIPER AIRCRAFT
PA-28-181
AIRPLANE PARTS CATALOG**

TABLE OF CONTENTS

FIGURE NUMBER	FIGURE TITLE	GRID NUMBER
SECTION XIII MISCELLANEOUS GROUP		
76	Placards and Exterior Stencils.....	2F21
	Optional Equipment Kits and Repair Kits.....	2G3
	Miscellaneous Hardware and Consumables.....	2G6
NUMERICAL INDEX		
	All Part Numbers.....	2G9

**PIPER AIRCRAFT
PA-28-181
AIRPLANE PARTS CATALOG**

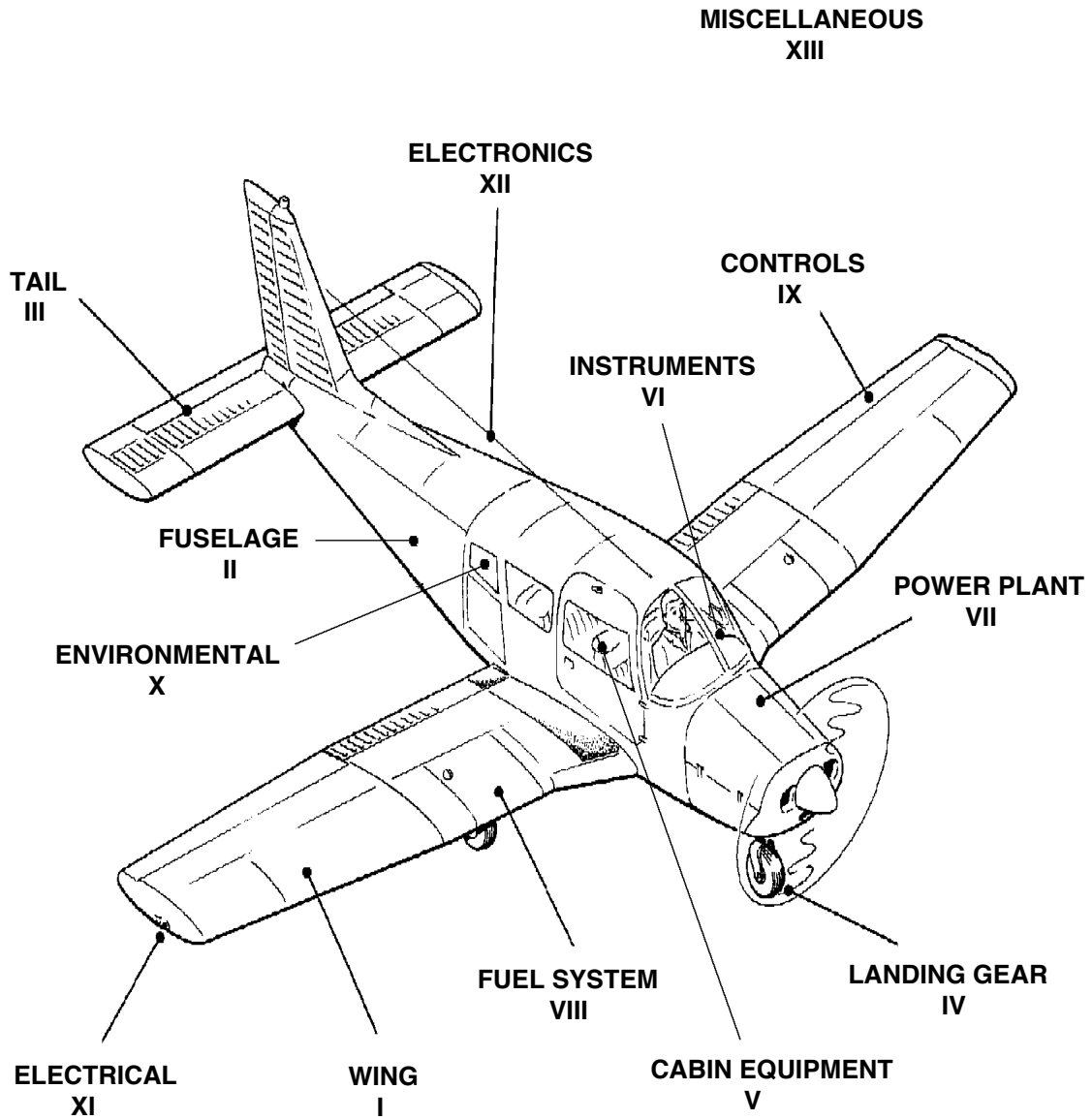


Figure 1. Complete Airplane

**PIPER AIRCRAFT
PA-28-181
AIRPLANE PARTS CATALOG**

THIS PAGE INTENTIONALLY LEFT BLANK

PIPER AIRCRAFT
PA-28-181
AIRPLANE PARTS CATALOG

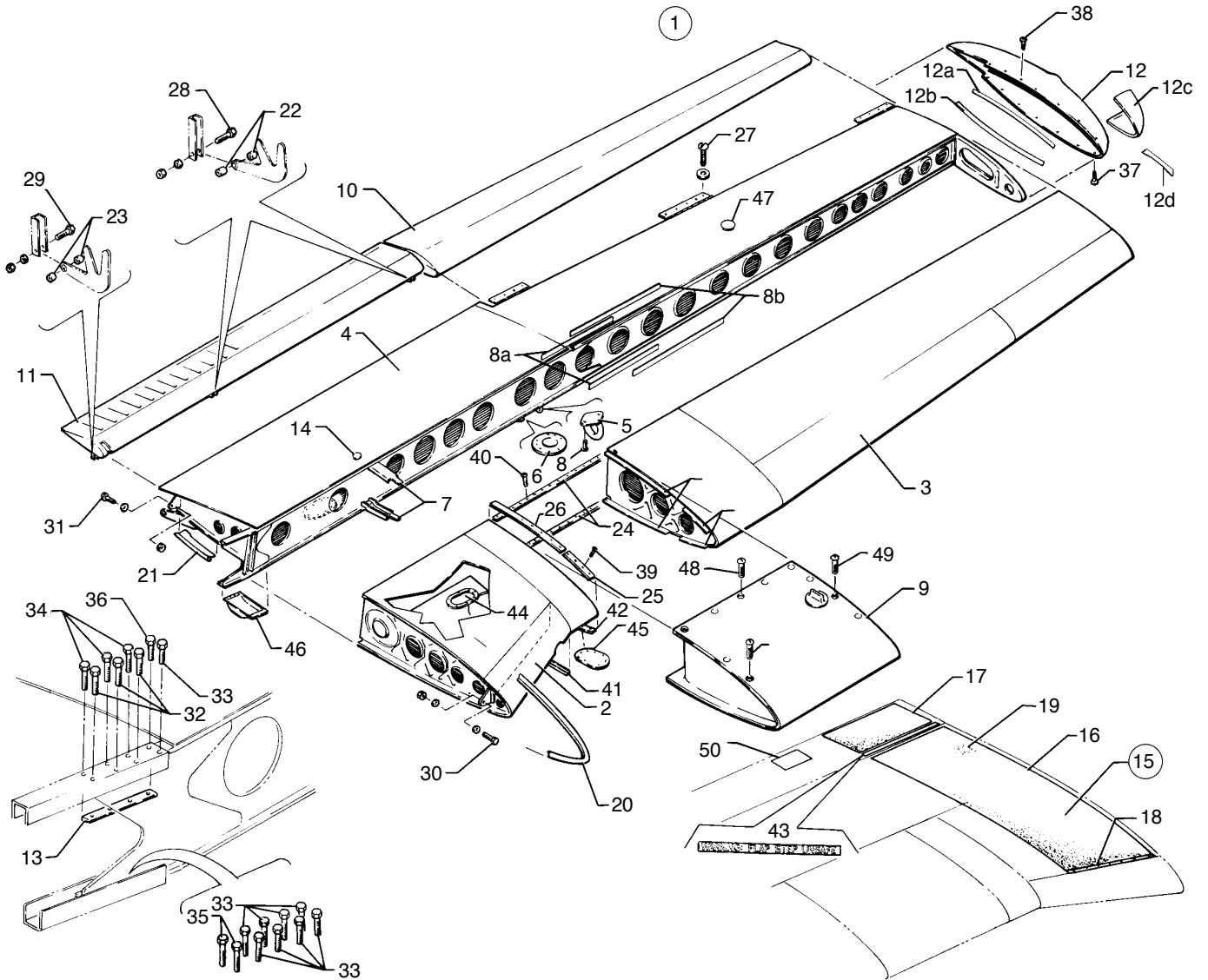


Figure 2. Wing Installation

Reissued: September 15, 1994

1A15

Island Enterprises

**PIPER AIRCRAFT
PA-28-181
AIRPLANE PARTS CATALOG**

CODE EXPLANATIONS FOR FIGURE 2

- A - This assembly includes brake lines, fuel lines, pitot static lines (in left wing only), and inspection cover plates.
- B - See Figure 3 for component parts.
- C - See Figure 4 for component parts.
- D - See Figure 47 for component parts.
- E - See Figure 5 for component parts.
- F - See Figure 6 for component parts.
- G - Used if navigation or strobe lights are not installed.
- H - Used if navigation or strobe lights are installed.
- J - Complete kit required if replacing safety walk compound painted on wing.
- K - Serial number of aircraft must be supplied when ordering this part.
- L - Used if recognition lights are installed.
- M - Serial numbers 2890135, 2890140 to 2890144 inclusive., and 2890146 and up.

**PIPER AIRCRAFT
PA-28-181
AIRPLANE PARTS CATALOG**

Figure and Index Number	Part Number	Code	Nomenclature	No. Req.	Serial Numbers Affected
2-	35630 38643	M	DRAWING - Wing Installation DRAWING - Wing Installation		
-1	35630-900 35630-980 38643-08 35630-901 35630-981 38643-09	A A A,K A,K	WING ASSEMBLY - Left WING ASSEMBLY - Left WING ASSEMBLY - Left WING ASSEMBLY - Right WING ASSEMBLY - Right WING ASSEMBLY - Right	1 1 1 1 1 1	28-7690001 to 28-7790233 incl. 28-7790234 and up 2890206 and up 28-7690001 to 28-7790233 incl. 28-7790234 and up 2890206 and up
-2	35630-906 35630-907	B B	* LEADING EDGE ASSEMBLY - Wing inboard, left * LEADING EDGE ASSEMBLY - Wing inboard, right	1 1	
-3	35630-908 35630-909	B B	* LEADING EDGE ASSEMBLY - Wing outboard, left * LEADING EDGE ASSEMBLY - Wing outboard, right	1 1	
-4	35630-912 35630-972 35630-913 35630-973	C C,K C C,K	* TRAILING EDGE ASSEMBLY - Wing aft section, left * TRAILING EDGE ASSEMBLY - Wing aft section, left * TRAILING EDGE ASSEMBLY - Wing aft section, right * TRAILING EDGE ASSEMBLY - Wing aft section, right	1 1 1 1	28-7690001 to 28-7790233 incl. 28-7790234 and up 28-7690001 to 28-7790233 incl. 28-7790234 and up
-5	18457-00		* RING - Tie down	1	
-6	35725-02		* PAD - Jack	1	
-7	62095-00		* CHANNEL - Wing skin stiffener	2	
-8	410 043		* SCREW - (MS24694-S56)	2	
-8a	35594-02		* STRAP - Spar splice, top and bottom (11.50" L.)	2	
-8b	35594-05		* STRAP - Spar splice, top and bottom (24.50" L.)	2	
-9	35633-02 35633-03 35633-04 35633-05	D D D D	TANK ASSEMBLY - Fuel, left TANK ASSEMBLY - Fuel, right TANK ASSEMBLY - Fuel, left TANK ASSEMBLY - Fuel, right	1 1 1 1	2890206 and up 2890206 and up
-10	35640-00 35640-01	E E	AILERON ASSEMBLY - Left AILERON ASSEMBLY - Right	1 1	
-11	65591-00 65590-01	F F	FLAP ASSEMBLY - Left FLAP ASSEMBLY - Right	1 1	
-12	35641-00 35641-10 36739-04 36739-02 36739-18 85402-02 35641-01 35641-11 36739-05 36739-03 36739-19 85402-03	G H G H L L G H G H L L	TIP ASSEMBLY - Wing, left TIP ASSEMBLY - Wing, left TIP ASSEMBLY - Wing, left TIP ASSEMBLY - Wing, left TIP ASSEMBLY - Wing, left TIP ASSEMBLY - Wing, left TIP ASSEMBLY - Wing, right TIP ASSEMBLY - Wing, right TIP ASSEMBLY - Wing, right TIP ASSEMBLY - Wing, right TIP ASSEMBLY - Wing, right TIP ASSEMBLY - Wing, right	1 1 1 1 1 1 1 1 1 1 1 1	28-7690001 to 28-8190250 incl. 28-7690001 to 28-8190250 incl. 28-8190251 and up 28-8190251 and up 28-8590001 and up 2890206 and up 28-7690001 to 28-8190250 incl. 28-7690001 to 28-8190250 incl. 28-8190251 and up 28-8190251 and up 28-8590001 and up 2890206 and up
-12a	35641-06 35641-07		* STIFFENER - Wing tip, upper, left * STIFFENER - Wing tip, upper, right	1 1	
-12b	35641-08 35641-09		* STIFFENER - Wing tip, lower, left * STIFFENER - Wing tip, lower, right	1 1	
-12c	36739-28 36739-29	L L	* LENS - Wing tip, left * LENS - Wing-tip, right	1 1	28-8590001 and up 28-8590001 and up
-12d	36806-06 36806-07		SHIELD - Recognition light, wing tip, left SHIELD - Recognition light, wing tip, right	1 1	2890206 and up 2890206 and up
-13	62121-00		SHIM - Wing attachment	2	
-14	63595-00		BUTTON ASSEMBLY - Plug, gear service access (with retaining ring)	2	
-15	763 848	J	KIT - Pressure sensitive wing walk installation	1	
-16	79174-00		* WING WALK - Safety, wing	1	
-17	79174-04		* WING WALK - Safety, flap	1	
-18	69736-02		* RETAINER - Wing walk	1	

When ordering, always specify Part Number, Description, and Serial Number of Aircraft

Reissued: September 15, 1994

**PIPER AIRCRAFT
PA-28-181
AIRPLANE PARTS CATALOG**

Figure and Index Number	Part Number	Code	Nomenclature	No. Req.	Serial Numbers Affected
2 -19	179 872		SAFETY WALK COMPOUND - Black (one quart can)	AR	
-20	65773-00		MOULDING - Wing root	2	
-21	67723-00		PLATE ASSEMBLY - Aft wing access, left	1	
	67723-01		PLATE ASSEMBLY - Aft wing access, right	1	
-22	63900-19		BUSHING - Flap hinge, center and outboard	8	
-23	63900-20		BUSHING - Flap hinge, inboard	4	
-24	406 927		CHANNEL - Gang (PS10062-2-2)	4	
-25	96926-00		CHANNEL - Gang	6	
-26	406 942		CHANNEL - Gang (PS10062-2-7)	6	
-27	415 320		SCREW - (MS27039-1-10)	26	
	407 564		WASHER - (AN960-10)	26	
	404 887		NUT - (MS20365-1032C)	26	
-28	401 270		BOLT - (AN3-11A)	4	
	407 564		WASHER - (AN960-10)	4	
	404 887		NUT - (MS20365-1032C)	4	
-29	400 444		BOLT - (AN3-13A)	2	
	407 564		WASHER - (AN960-10)	2	
	404 887		NUT - (MS20365-1032C)	2	
-30	402 680		BOLT - (NAS1104-17)	2	
	407 565		WASHER - (AN960-416)	2	
	407 585		WASHER - (AN960-416L)	2	
	404 561		NUT - (MS21045-4)	2	28-7690001 to 28-8090093 incl.
	404 530		NUT - (MS21042-4)	2	28-8090094 and up
-31	401 186		BOLT - (AN5-6A)	2	28-7690001 to 28-8190006 incl.
	402 915		BOLT - (NAS464P6LA6)	2	28-8190007 and up
	407 566		WASHER - (AN960-516)	AR	28-7690001 to 28-8190006 incl.
	407 567		WASHER - (AN960-616)	4	28-8190007 and up
	407 587		WASHER - (AN960-616L)	2	28-8190007 and up
	404 889		NUT - (MS20365-524C)	2	28-7690001 to 28-8190006 incl.
	404 532		NUT - (MS21042-6)	2	28-8190007 and up
-32	402 351		BOLT - (AN176-12A)	6	
	407 567		WASHER - (AN960-616)	12	
	96352-03		WASHER	6	
	404 532		NUT - (MS21042-6)	6	
-33	402 352		BOLT - (AN176-13A)	18	
	407 567		WASHER - (AN960-616)	32	
	96352-03		WASHER	18	
	404 532		NUT - (MS21042-6)	18	
-34	402 352		BOLT - (AN176-13A)	6	
	407 567		WASHER - (AN960-616)	15	
	404 532		NUT - (MS21042-6)	6	
-35	402 352		BOLT - (AN176-13A)	4	
	96352-03		WASHER	8	
	404 532		NUT - (MS21042-6)	4	
-36	402 349		BOLT - (AN176-14A)	2	
	407 567		WASHER - (AN960-616)	6	
	404 532		NUT - (MS21042-6)	2	
-37	415 535		SCREW - (MS35206-245)	4	
	407 583		WASHER - (AN960-8L)	4	
-38	415 535		SCREW - (MS35206-245)	28	
	407 583		WASHER - (AN960-8L)	28	
	477 672		NUT - (PS10062-5-1)	28	
-39	415 309		SCREW - (MS27039-0809)	40	
-40	415 312		SCREW - (MS27039-0812)	60	
-41	96926-00		CHANNEL ASSEMBLY - Gang, bottom, rear	2	
-42	96927-00		CHANNEL ASSEMBLY - Gang, bottom, forward	2	
-43	35664-02		PLACARD - Flap warning	1	

When ordering, always specify Part Number, Description, and Serial Number of Aircraft

Reissued: September 15, 1994

1A18

Island Enterprises

**PIPER AIRCRAFT
PA-28-181
AIRPLANE PARTS CATALOG**

Figure and Index Number	Part Number	Code	Nomenclature	No. Req.	Serial Numbers Affected
2 -44	62109-00		COVER - Inspection	12	
-45	38118-05		COVER - Inspection	2	
-46	63942-00		COVER - Wing bolt, left	1	
	63942-01		COVER - Wing bolt, right	1	
-47	453 966		BUTTON - Plug (HS48172-K2215)	2	
-48	415 312		SCREW - (MS27039-0812)	60	
-49	415 309		SCREW - (MS27039-0809)	78	
-50	87341-04		PLACARD - No Step	2	

When ordering, always specify Part Number, Description, and Serial Number of Aircraft

Reissued: September 15, 1994

1A19

Island Enterprises

PIPER AIRCRAFT
PA-28-181
AIRPLANE PARTS CATALOG

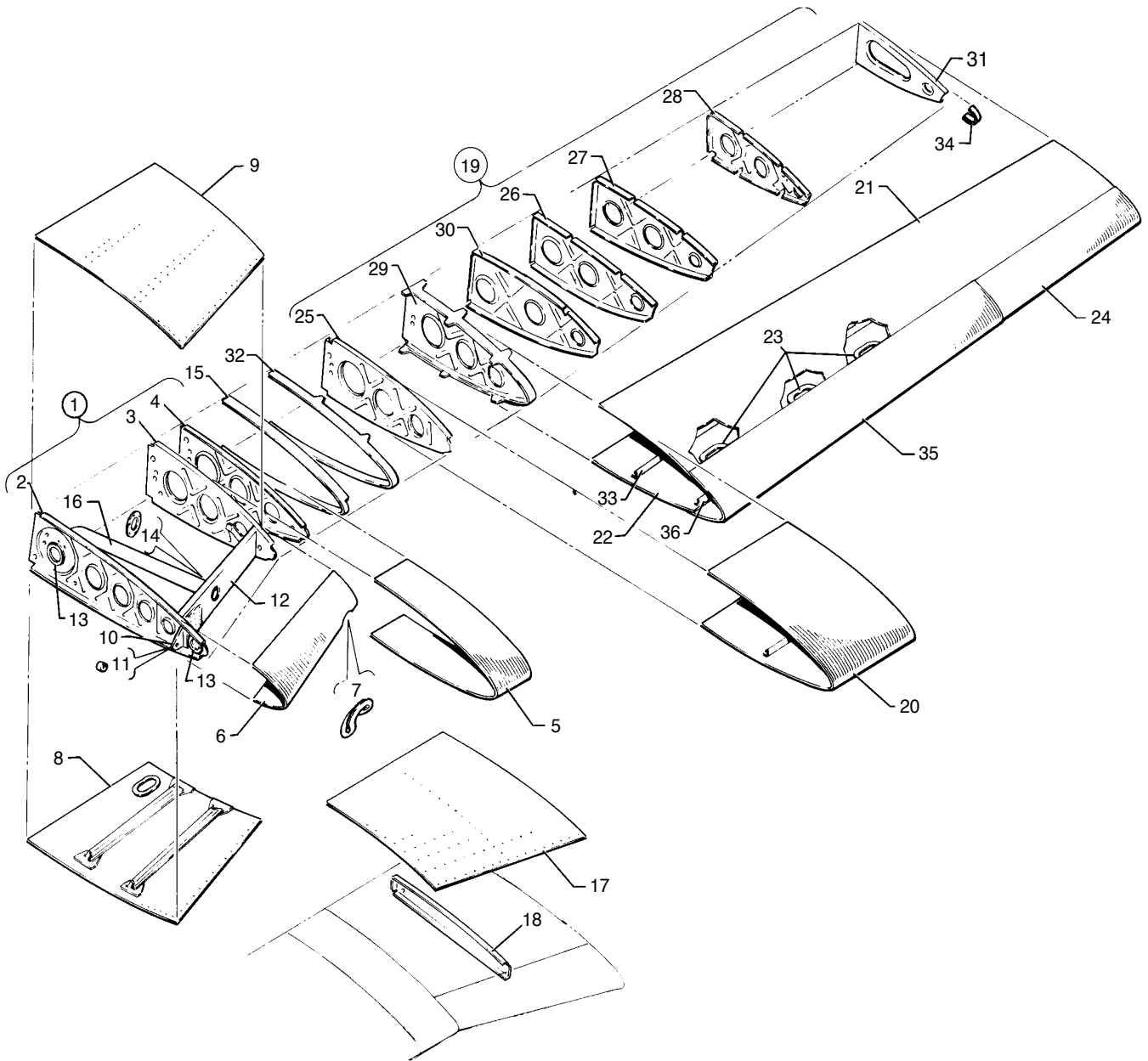


Figure 3. Wing Leading Edge Assembly

Reissued: September 15, 1994

1A20

Island Enterprises

**PIPER AIRCRAFT
PA-28-181
AIRPLANE PARTS CATALOG**

CODE EXPLANATIONS FOR FIGURE 3

A - Used if the forward spar fitting assembly incorporates an aluminum attaching plate.

Reissued: September 15, 1994

1A21

Island Enterprises

**PIPER AIRCRAFT
PA-28-181
AIRPLANE PARTS CATALOG**

Figure and Index Number	Part Number	Code	Nomenclature	No. Req.	Serial Numbers Affected
3-1	35630-906		LEADING EDGE ASSEMBLY - Wing inboard, left	1	
	35630-907		LEADING EDGE ASSEMBLY - Wing inboard, right	1	
-2	95639-02		* RIB - Wing nose, root, left	1	
	95639-03		* RIB - Wing nose, root, right	1	
-3	62021-00		* RIB - Wing nose, Sta. 49.25, left	1	
	62021-01		* RIB - Wing nose, Sta. 49.25, right	1	
-4	35642-00		* RIB - Wing nose, Sta. 57.00, left	1	
	35642-01		* RIB - Wing nose, Sta. 57.00, right	1	
-5	38118-00		* SKIN ASSEMBLY - Leading edge, inboard	1	
-6	68113-200		* SKIN ASSEMBLY - Leading edge, left	1	
	68113-201		* SKIN ASSEMBLY - Leading edge, right	1	
-7	68111-00		** DOUBLER - Air inlet	1	
-8	62086-00		* SKIN ASSEMBLY - Bottom, inboard root, left	1	
	62086-01		* SKIN ASSEMBLY - Bottom, inboard root, right	1	
-9	62087-00		* SKIN ASSEMBLY - Top, inboard root, left	1	
-10	66761-02		* FITTING - Forward spar, left	1	
	66761-03		* FITTING - Forward spar, right	1	
-11	63900-30	A	* BUSHING - Front spar attachment	1	
-12	66623-00		* SPAR - Leading edge, inboard, left	1	
	66623-01		* SPAR - Leading edge, inboard, right	1	
-13	68119-00		* GASKET - Air duct	2	
-14	66621-00		* DOUBLER - Forward spar	1	
-15	62091-02		* STRAP - Fuel tank attachment	1	
-16	66620-00		* TUBE ASSEMBLY - Air duct	1	
-17	62061-02		* WING WALK - Forward, right	1	
-18	62066-00		* RIB - Wing walk, right	1	
-19	35630-908		LEADING EDGE ASSEMBLY - Wing outboard, left	1	
	35630-909		LEADING EDGE ASSEMBLY - Wing outboard, right	1	
-20	35118-04		* SKIN - Middle section, left	1	
	35118-05		* SKIN - Middle section, right	1	
-21	35118-24		* SKIN - Aft, top, left	1	
	35118-25		* SKIN - Aft, top, right	1	
-22	35118-953		* SKIN ASSEMBLY - Aft, bottom, left	1	
	35118-954		* SKIN ASSEMBLY - Aft, bottom, right	1	
-23	95094-00		** DOUBLER - Cover plate attachment	3	
-24	35118-49		* SKIN - Forward, left	1	
	35118-47		* SKIN - Forward, right	1	
-25	62049-00		* RIB - Wing nose, Sta. 88.75, left	1	
	62049-01		* RIB - Wing nose, Sta. 88.75, right	1	
-26	35118-30		* RIB - Wing nose, Sta. 131.60, left	1	
	35118-31		* RIB - Wing nose, Sta. 131.60, right	1	
-27	35118-22		* RIB - Wing nose, Sta. 148.60, left	1	
	35118-23		* RIB - Wing nose, Sta. 148.60, right	1	
-28	35166-00		* RIB - Wing nose, Sta. 174, left	1	
	35166-01		* RIB - Wing nose, Sta. 174, right	1	
-29	35182-00		* RIB ASSEMBLY - Wing nose, Sta. 106.19, left	1	
	35182-01		* RIB ASSEMBLY - Wing nose, Sta. 106.19, right	1	
-30	35592 00		* RIB - Wing nose, Sta. 117.50, left	1	
	35592 01		* RIB - Wing nose, Sta. 117.50, right	1	
-31	35615-02		* RIB - Wing nose, Sta. 206.70, left	1	
	35615-03		* RIB - Wing nose, Sta. 206.70, right	1	
-32	35140-02		* STRAP - Fuel tank attachment, Sta. 88.75	1	
-33	35118-13		* STRINGER - Skin, leading edge	1	

When ordering, always specify Part Number, Description, and Serial Number of Aircraft

Reissued: September 15, 1994

1A22

Island Enterprises

**PIPER AIRCRAFT
PA-28-181
AIRPLANE PARTS CATALOG**

Figure and Index Number	Part Number	Code	Nomenclature	No. Req.	Serial Numbers Affected
3-34	35615-04		* STRAP - Skin attachment, Sta. 206 70, left	1	
	35615-05		* STRAP - Skin attachment, Sta. 206 70, right	1	
-35	35118-28		* SKIN - Forward, left	1	
	35118-29		* SKIN - Forward, right	1	
-36	35118-12		* STRINGER - Skin, leading edge	1	

When ordering, always specify Part Number, Description, and Serial Number of Aircraft

Reissued: September 15, 1994

1A23

Island Enterprises

PIPER AIRCRAFT
PA-28-181
AIRPLANE PARTS CATALOG

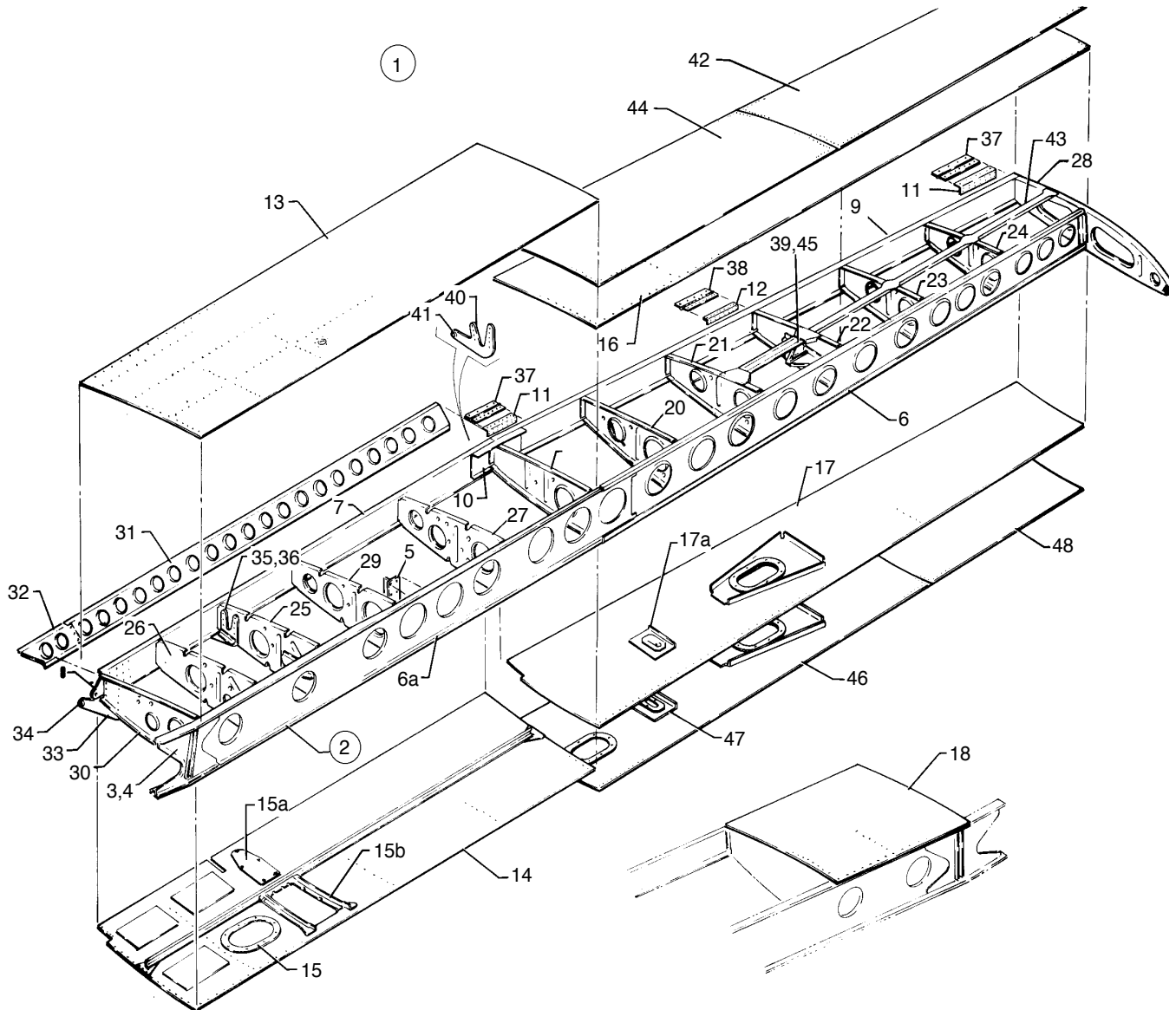


Figure 4. Wing Trailing Edge Assembly

Reissued: September 15, 1994

1A24

Island Enterprises

**PIPER AIRCRAFT
PA-28-181
AIRPLANE PARTS CATALOG**

CODE EXPLANATIONS FOR FIGURE 4

Reissued: September 15, 1994

1B1

Island Enterprises

**PIPER AIRCRAFT
PA-28-181
AIRPLANE PARTS CATALOG**

Figure and Index Number	Part Number	Code	Nomenclature	No. Req.	Serial Numbers Affected
4-1	35630-912		TRAILING EDGE ASSEMBLY - Wing aft section, left	1	28-7690001 to 28-7790233 incl.
	35630-972		TRAILING EDGE ASSEMBLY - Wing aft section, left	1	28-7790234 and up
	35630-913		TRAILING EDGE ASSEMBLY - Wing aft section, right	1	28-7690001 to 28-7790233 incl.
	35630-973		TRAILING EDGE ASSEMBLY - Wing aft section, right	1	28-7790234 and up
-2	35168-08		* SPAR ASSEMBLY - Wing main, left	1	
	35168-09		* SPAR ASSEMBLY - Wing main, right	1	
-3	62071-00		** DOUBLER ASSEMBLY - Forward, left	1	
	62071-01		** DOUBLER ASSEMBLY - Forward, right	1	
-4	62072-00		** DOUBLER ASSEMBLY - Aft, left	1	
	62072-01		** DOUBLER ASSEMBLY - Aft, right	1	
-5	62079-00		** TEE - Landing gear attachment	1	
-6	35168-12		** SPAR ASSEMBLY - Main, outboard, left	1	
	35168-13		** SPAR ASSEMBLY - Main, outboard, right	1	
-6a	62073-02		** SPAR ASSEMBLY - Main, inboard, left	1	
	62073-03		** SPAR ASSEMBLY - Main, inboard, right	1	
-7	35174-04		* SPAR ASSEMBLY - Wing, aft, inboard, left	1	
	35174-05		* SPAR ASSEMBLY - Wing, aft, inboard, right	1	
-8	66762-00		** PLATE - Aft spar	1	
-9	35632-02		* SPAR ASSEMBLY - Wing, aft, outboard, left	1	
	35632-03		* SPAR ASSEMBLY - Wing, aft, outboard, right	1	
-10	35632-04		* DOUBLER - Aft spar, left	1	
	35632-05		* DOUBLER - Aft spar, right	1	
-11	62105-00		* DOUBLER - Rear spar, outboard	4	
-12	62105-02		* DOUBLER - Rear spar, inboard	2	
-13	35420-04		* SKIN ASSEMBLY - Top, inboard, left	1	
	35422-04		* SKIN ASSEMBLY - Top, inboard, right	1	
-14	35421-04		* SKIN ASSEMBLY - Bottom, inboard, left	1	
	35421-05		* SKIN ASSEMBLY - Bottom, inboard, right	1	
-15	35362-00		** DOUBLER - Wing skin, Sta. 42.72	1	
-15a	37897-02		** DOUBLER ASSEMBLY - Main gear strut fairing attachment	1	
-15b	65690-00		** DOUBLER - Fairing plate, left	1	
	65690-01		** DOUBLER - Fairing plate, right	1	
-16	35603-800		* SKIN ASSEMBLY - Top, outboard, left	1	28-7690001 to 28-7990039 incl.
	35603-801		* SKIN ASSEMBLY - Top, outboard, right	1	28-7690001 to 28-7990039 incl.
-17	35634-00		* SKIN ASSEMBLY - Bottom, outboard, left	1	28-7690001 to 28-7790233 incl.
	35634-01		* SKIN ASSEMBLY - Bottom, outboard, right	1	28-7690001 to 28-7790233 incl.
	35634-04		* SKIN ASSEMBLY - Bottom, outboard, left	1	28-7790234 to 28-8090246 incl.
	35634-05		* SKIN ASSEMBLY - Bottom, outboard, right	1	28-7790234 to 28-8090246 incl.
-17a	35573-00		** DOUBLER ASSEMBLY - Pitot head, left	1	28-7690001 to 28-8090246 incl.
-18	62061-04		* SKIN ASSEMBLY - Wing walk, right	1	
-19	35616-00		* RIB - Sta. 106.19, left	1	
	35616-01		* RIB - Sta. 106.19, right	1	
-20	35617-00		* RIB - Sta. 123.15, left	1	
	35617-01		* RIB - Sta. 123.15, right	1	
-21	35618-00		* RIB - Sta. 140.09, left	1	
	35618-01		* RIB - Sta. 140.09, right	1	
-22	35619-00		* RIB ASSEMBLY - Sta. 157, left	1	28-7690001 to 28-7790233 incl.
	35619-01		* RIB ASSEMBLY - Sta. 157, right	1	28-7690001 to 28-7790233 incl.
	35619-04		* RIB ASSEMBLY - Sta. 157, left	1	28-7790234 and up
	35619-05		* RIB ASSEMBLY - Sta. 157, right	1	28-7790234 and up
-23	35620-00		* RIB - Sta. 174, left	1	
	35620-01		* RIB - Sta. 174, right	1	
-24	35621-00		* RIB - Sta. 190, left	1	
	35621-01		* RIB - Sta. 190, right	1	

When ordering, always specify Part Number, Description, and Serial Number of Aircraft

**PIPER AIRCRAFT
PA-28-181
AIRPLANE PARTS CATALOG**

Figure and Index Number	Part Number	Code	Nomenclature	No. Req.	Serial Numbers Affected
4-25	35378-00		* RIB ASSEMBLY - Sta. 49.25, left	1	
	35378-01		* RIB ASSEMBLY - Sta. 49.25, right	1	
-26	66597-00		* RIB - Sta. 36.22, left	1	
	66597-01		* RIB - Sta. 36.22, right	1	
-27	66598-00		* RIB - Sta. 86.03, left	1	
	66598-01		* RIB - Sta. 86.03, right	1	
-28	35637-00		* RIB - Sta. 207.65, left	1	
	35637-01		* RIB - Sta. 207.65, right	1	
-29	66599-00		* RIB - Sta. 64.59, left	1	
	66599-01		* RIB - Sta. 64.59, right	1	
-30	95636-00		* RIB - Sta. 24.24, left	1	
	95636-01		* RIB - Sta. 24.24, right	1	
-31	62129-04		* STIFFENER - Outboard, left	1	
	62129-03		* STIFFENER - Outboard, right	1	
-32	62129-08		* STIFFENER - Inboard, left	1	
	62129-07		* STIFFENER - Inboard, right	1	
-33	65898-00		* SUPPORT ASSEMBLY - Flap, inboard, left	1	
	65898-01		* SUPPORT ASSEMBLY - Flap, inboard, right	1	
-34	452 387		** BEARING - (KP3A)	1	
-35	65898-04		* SUPPORT ASSEMBLY - Flap, center	1	
-36	452 387		** BEARING - (KP3A)	1	
-37	62371-08		* HINGE ASSEMBLY - Aileron	2	
-38	35636-00		* HINGE ASSEMBLY - Aileron	1	
-39	35731-00		* CHANNEL ASSEMBLY - Bellcrank support, upper, left	1	28-7790234 to 28-7990039 incl.
	35731-01		* CHANNEL ASSEMBLY - Bellcrank support, upper, right	1	28-7790234 to 28-7990039 incl.
-40	65898-07		* SUPPORT ASSEMBLY - Flap, outboard	1	
-41	452 387		** BEARING - (KP3A)	1	
-42	35603-20		* SKIN - Top outboard, left	1	28-7990040 and up
	35603-21		* SKIN - Top outboard, right	1	28-7990040 and up
-43	86517-02		** STRINGER - Support	1	28-7990040 and up
-44	35603-26		* SKIN - Top center, left	1	28-7990040 and up
	35603-27		* SKIN - Top center, right	1	28-7990040 and up
-45	35731-00		** CHANNEL ASSEMBLY - Bellcrank support, left	1	28-7990040 and up
	35731-01		** CHANNEL ASSEMBLY - Bellcrank support, right	1	28-7990040 and up
-46	35634-10		* SKIN ASSEMBLY - Bottom, center, left	1	28-8090247 and up
	35634-11		* SKIN ASSEMBLY - Bottom, center, right	1	28-8090247 and up
-47	35573-00		** DOUBLER ASSEMBLY - Pitot head, left	1	28-8090247 and up
-48	35634-14		* SKIN - Bottom, outboard, left	1	28-8090247 and up
	35634-15		* SKIN - Bottom, outboard, right	1	28-8090247 and up

When ordering, always specify Part Number, Description, and Serial Number of Aircraft

Reissued: September 15, 1994

PIPER AIRCRAFT
PA-28-181
AIRPLANE PARTS CATALOG

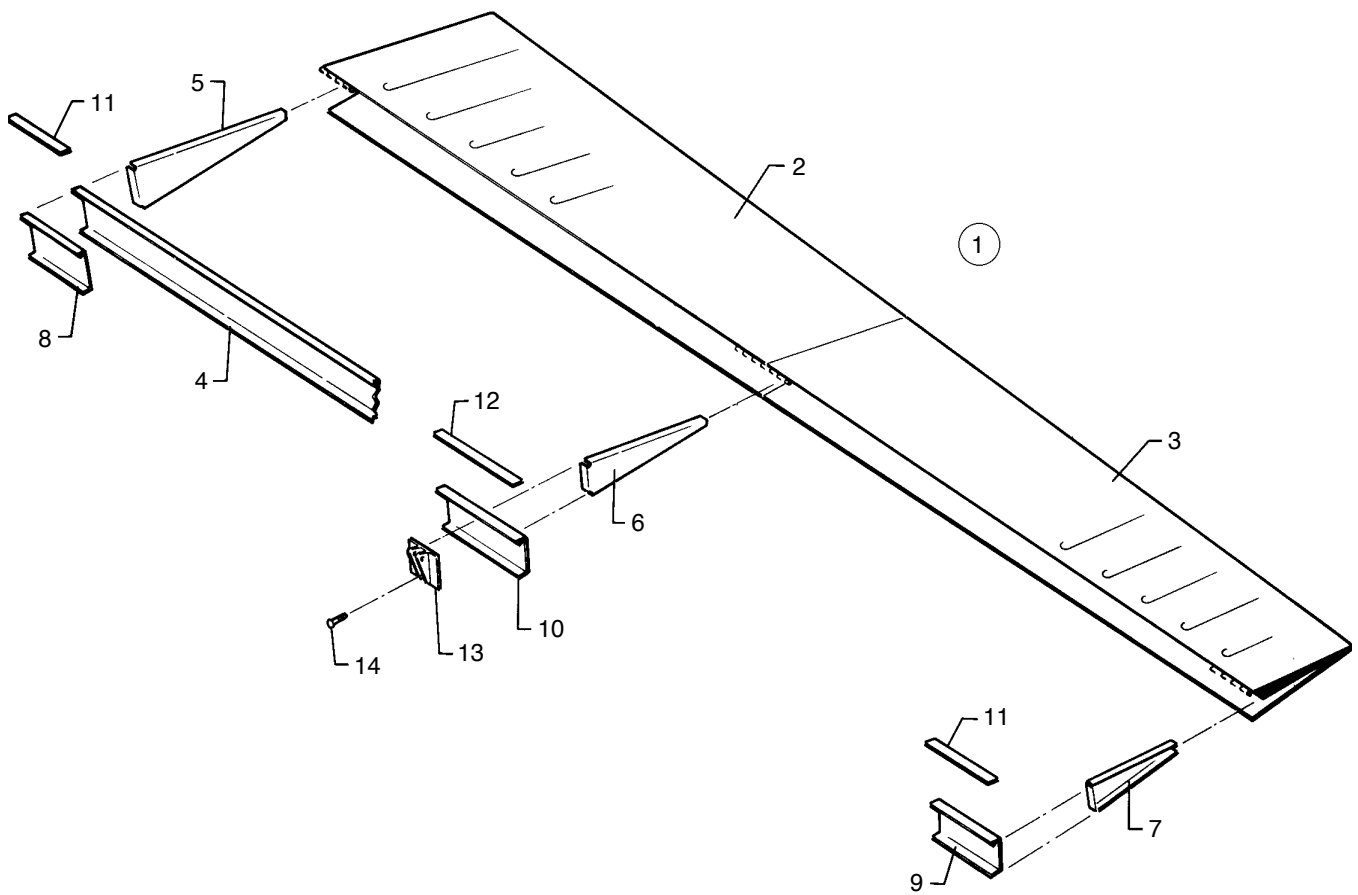


Figure 5. Aileron Assembly

Reissued: September 15, 1994

**PIPER AIRCRAFT
PA-28-181
AIRPLANE PARTS CATALOG**

CODE EXPLANATIONS FOR FIGURE 5

Reissued: September 15, 1994

1B5

Island Enterprises

**PIPER AIRCRAFT
PA-28-181
AIRPLANE PARTS CATALOG**

Figure and Index Number	Part Number	Code	Nomenclature	No. Req.	Serial Numbers Affected
5 -1	35640-00		AILERON ASSEMBLY - Left	1	
	35640-01		AILERON ASSEMBLY - Right	1	
-2	35640-02		* SKIN - Aileron, left inboard	1	
	35640-03		* SKIN - Aileron, right inboard	1	
-3	35640-04		* SKIN - Aileron, left outboard	1	
	35640-05		* SKIN - Aileron, right outboard	1	
-4	35640-06		* SPAR - Aileron, left	1	
	35640-07		* SPAR - Aileron, right	1	
-5	35640-08		* RIB - Aileron, left inboard	1	
	35640-09		* RIB - Aileron, right inboard	1	
-6	35640-10		* RIB - Aileron, left center	1	
	35640-11		* RIB - Aileron, right center	1	
-7	35640-12		* RIB - Aileron, left outboard	1	
	35640-13		* RIB - Aileron, right outboard	1	
-8	35640-14		* DOUBLER - Aileron, left inboard	1	
	35640-15		* DOUBLER - Aileron, right inboard	1	
-9	35640-16		* DOUBLER - Aileron, left outboard	1	
	35640-17		* DOUBLER - Aileron, right outboard	1	
-10	35640-18		* DOUBLER - Aileron, left center	1	
	35640-19		* DOUBLER - Aileron, right center	1	
-11	35640-20		* FILLER - Aileron	2	
-12	35640-21		* FILLER - Aileron	1	
-13	35640-22		* FITTING - Aileron	1	
-14	410 035		* SCREW - (MS24694-S53)	2	
	407 564		* WASHER - (AN960-10)	2	
	404 887		* NUT - (MS20365-1032C)	2	

When ordering, always specify Part Number, Description, and Serial Number of Aircraft

Reissued: September 15, 1994

1B6

Island Enterprises

PIPER AIRCRAFT
PA-28-181
AIRPLANE PARTS CATALOG

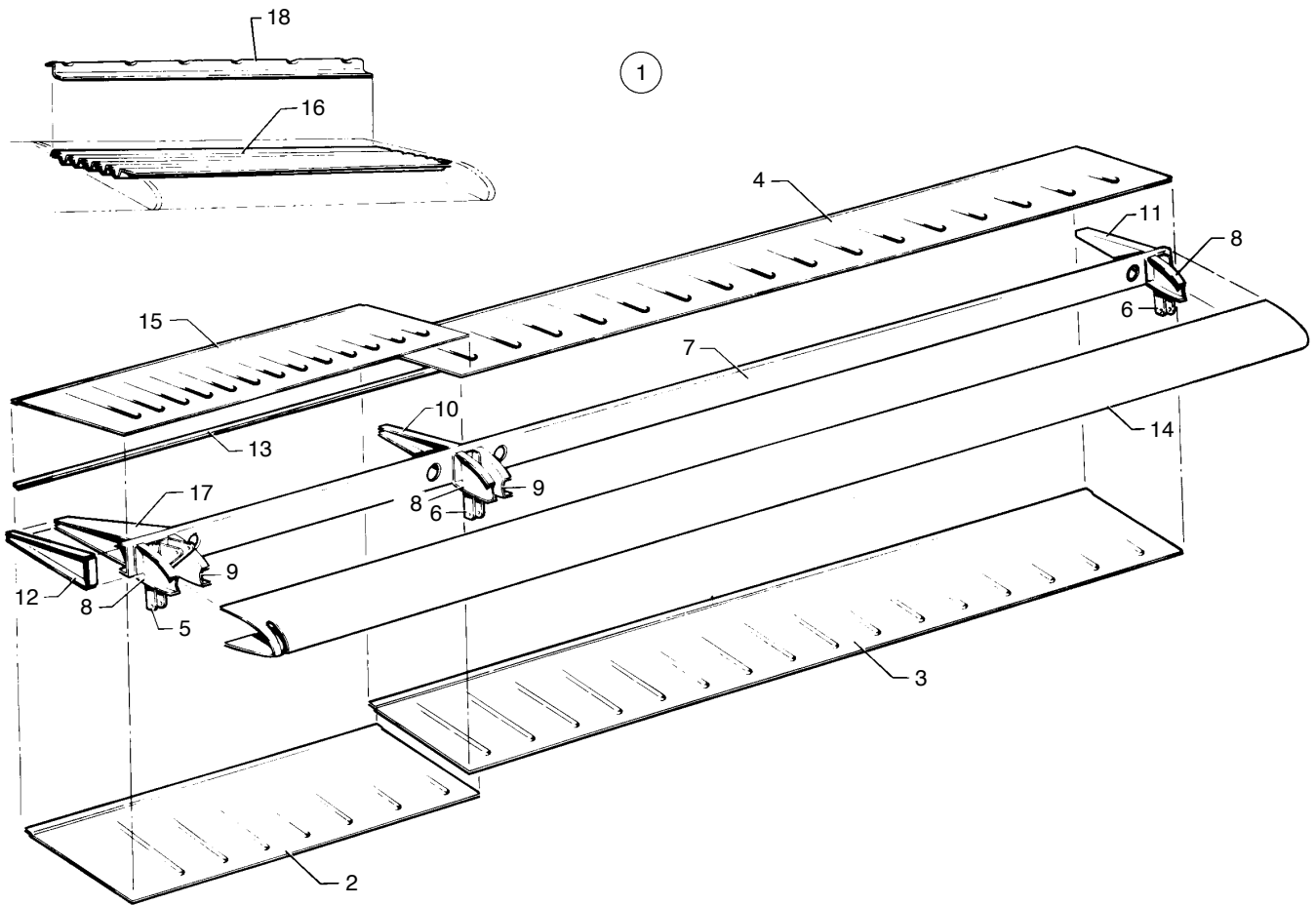


Figure 6. Flap Assembly

Reissued: September 15, 1994

**PIPER AIRCRAFT
PA-28-181
AIRPLANE PARTS CATALOG**

CODE EXPLANATIONS FOR FIGURE 6

Reissued: September 15, 1994

1B8

Island Enterprises

**PIPER AIRCRAFT
PA-28-181
AIRPLANE PARTS CATALOG**

Figure and Index Number	Part Number	Code	Nomenclature	No. Req.	Serial Numbers Affected
6 -1	65591-00		FLAP ASSEMBLY - Left	1	
	65590-01		FLAP ASSEMBLY - Right	1	
-2	65592-00		* SKIN - Flap, bottom, left, inboard	1	
	65592-01		* SKIN - Flap, bottom, right, inboard	1	
-3	65588-00		* SKIN - Flap, bottom, left and right, outboard	1	
-4	65589-00		* SKIN - Flap, top, left and right, outboard	1	
-5	62324-00		* HINGE - Flap, inboard, left	1	
	62324-01		* HINGE - Flap, inboard, right	1	
-6	65899-00		* BRACKET - Flap hinge, center and outboard	2	
-7	62327-00		* SPAR - Flap	1	
-8	62328-00		* RIB - Left flap	3	
	62328-01		* RIB - Right flap	3	
-9	62328-01		* RIB - Left flap	2	
	62328-00		* RIB - Right flap	2	
-10	62332-02		* RIB - Flap, left, wing, Sta. 49	1	
	62332-00		* RIB - Flap, right, wing, Sta. 49	1	
-11	62330-00		* RIB - Flap, left	1	
	62330-01		* RIB - Flap, right	1	
-12	62331-00		* RIB - Flap, left, inboard	1	
	62331-01		* RIB - Flap, right, inboard	1	
-13	62320-03		* STRIP - Flap rear edge	1	
-14	65586-04		* SKIN - Flap, left, nose	1	
	65586-05		* SKIN - Flap, right, nose	1	
-15	65587-00		* SKIN - Flap, top, left, inboard	1	
	65594-01		* SKIN - Flap, top, right, inboard	1	
-16	65593-01		* CORRUGATION - Flap, top, right, inboard	1	
-17	62336-00		* DOUBLER ASSEMBLY - Left	1	
	62336-01		* DOUBLER ASSEMBLY - Right	1	
-18	65595-01		* ZEE - Flap, inboard, right	1	

When ordering, always specify Part Number, Description, and Serial Number of Aircraft

Reissued: September 15, 1994

**PIPER AIRCRAFT
PA-28-181
AIRPLANE PARTS CATALOG**

THIS PAGE INTENTIONALLY LEFT BLANK

PIPER AIRCRAFT
PA-28-181
AIRPLANE PARTS CATALOG

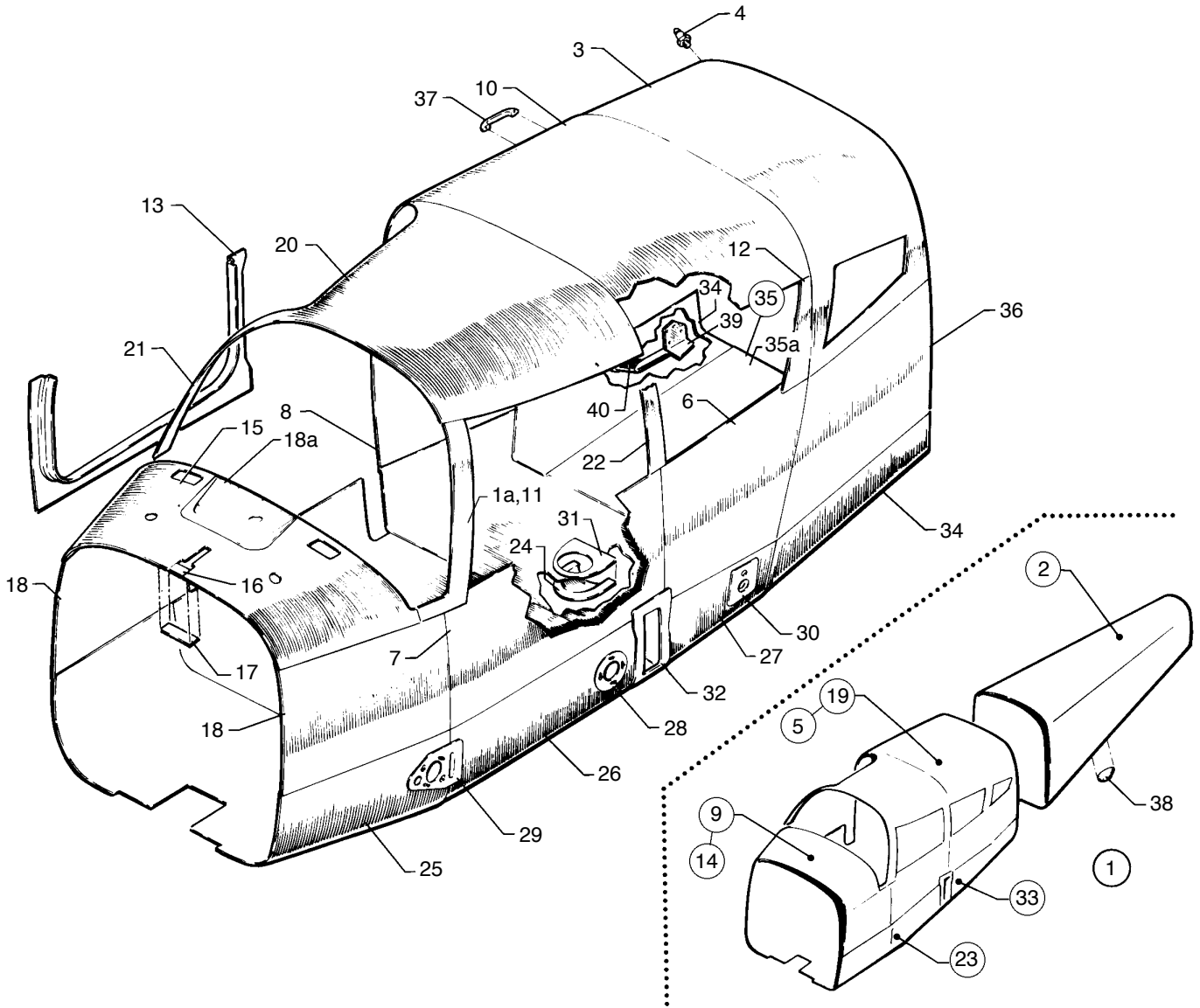


Figure 7. Fuselage Assembly - Complete

Reissued: September 15, 1994

1B11

Island Enterprises

**PIPER AIRCRAFT
PA-28-181
AIRPLANE PARTS CATALOG**

CODE EXPLANATIONS FOR FIGURE 7

- A - See Figure 12 for component parts.
- B - See Figure 8 for balance of component parts.
- C - See Figure 9 for balance of component parts.
- D - See Figure 10 for balance of component parts.
- E - Used if Cabin Overhead Fresh Air Ventilation is installed.
- F - See Figure 11 for balance of component parts.
- G - Used if air conditioning is installed.
- H - Serial number of aircraft must be supplied when ordering this part.
- J - When ordering for 1978 or 1979 models, specify with or without provisions for air conditioning. When ordering for 1980 models and up, specify if air conditioning or fresh air ventilation system is installed.
- K - Parts listed in this figure include serial numbers 2890206 and up only where 2890206 and up is indicated in SERIAL NUMBERS AFFECTED column.

**PIPER AIRCRAFT
PA-28-181
AIRPLANE PARTS CATALOG**

Figure and Index Number	Part Number	Code	Nomenclature	No. Req.	Serial Numbers Affected
7-	76470-00		DRAWING - Fuselage Assembly (Complete)		
-1	76470-00		FUSELAGE ASSEMBLY	1	
	76470-04	K	FUSELAGE ASSEMBLY	1	2890206 and up
-1a	76255-04		* SKIN - Windshield trim, left side	1	2890206 and up
	76255-03		* SKIN - Windshield trim, right side	1	2890206 and up
-2	76470-904	A,J	* AFT SECTION - Fuselage	1	
-3	79577-900		* SKIN - Cockpit, top rear	1	
-4	487 674		* STUD - Fastener (XX-16362 x 3/8)	1	
-5	76470-903		* COCKPIT ASSEMBLY - Fuselage	1	
-6	76476-900		* SKIN - Cockpit, left side	1	
-7	76474-900		* SKIN - Cockpit, left side	1	
-8	76476-901		* SKIN - Cockpit, right side	1	
-9	76470-908		* UPPER COCKPIT ASSEMBLY - Fuselage	1	
-10	79573-901		** SKIN - Upper cockpit, top center	1	
-11	76255-00		** SKIN - Windshield trim, left side	1	
-12	76297-00		** SKIN ASSEMBLY - Window trim, left side	1	
	76297-01		** SKIN ASSEMBLY - Window trim, right side	1	
-13	62493-00		** PAN - Door trim, right side	1	28-7690001
	76467-02		** PAN - Door trim, right side	1	28-7690002 and up
-14	76470-909	B,H	** UPPER COCKPIT ASSEMBLY - Forward	1	
-15	79569-901		*** SKIN - Forward upper cockpit, top	1	
-16	62507-00		*** FILLER - Forward upper cockpit, top	1	
-17	68817-50		*** DOUBLER - Forward upper cockpit, top	1	
-18	79563-905		*** SKIN - Cockpit, left front	1	
	79563-901		*** SKIN - Cockpit, right front	1	
-18a	78112-05		*** COVER - Cowl deck	1	
-19	76470-910	C	** UPPER COCKPIT ASSEMBLY - Center	1	
-20	79576-901		*** SKIN - Upper cockpit, top front	1	
-21	62420-11		*** SKIN - Windshield trim, right side	1	28-7690001
	79561-03		*** SKIN - Windshield trim, right side	1	28-7690002 and up
-22	76256-00		*** SKIN - Window trim, left side	1	
	76257-00		*** SKIN - Window trim, right side	1	
-23	76470-905	D	** LOWER COCKPIT ASSEMBLY - Fuselage, forward	1	
-24	66609-00		*** SCOOP - Cabin air exhaust	1	
	66965-00	E	*** SCOOP - Cabin air exhaust	1	
-25	79582-902		*** SKIN - Lower cockpit, front	1	
-26	79585-902		*** SKIN - Lower cockpit, center front	1	
-27	79578-901		*** SKIN - Lower cockpit, center rear	1	
-28	68539-00		*** DOUBLER ASSEMBLY - Lower cockpit	2	
-29	68540-00		*** DOUBLER ASSEMBLY - Lower cockpit, left	1	
	68540-01		*** DOUBLER ASSEMBLY - Lower cockpit, right	1	
-30	62549-00		*** DOUBLER - Lower cockpit	2	
-31	65556-00	G	*** DOUBLER - Lower cockpit air scoop (with 4" hole)	1	
	65556-02		*** DOUBLER - Lower cockpit air scoop (less 4" hole)	1	
-32	62541-00		*** DOUBLER - Lower cockpit, left	1	
	62541-01		*** DOUBLER - Lower cockpit, right	1	
-33	76470-907	F	*** LOWER COCKPIT ASSEMBLY - Aft	1	
-34	79580-900		**** SKIN - Lower cockpit, left rear	1	
	79580-901		**** SKIN - Lower cockpit, right rear	1	
-35	76470-963		**** SKIN ASSEMBLY - Lower cockpit, center	1	
-35a	79581-900		**** SKIN - Lower cockpit, center	1	
-36	76475-900		* SKIN - Cockpit, left rear	1	
-37	481 772		* HANDLE - Upper cockpit (N12865)	1	
-38	79427-02		COVER - ADF antenna closeout	1	
-39	65384-00		STEP ASSEMBLY - Fuselage	1	
-40	65431-00		* STRIP - Safety	1	

When ordering, always specify Part Number, Description, and Serial Number of Aircraft

Reissued: September 15, 1994

1B13

Island Enterprises

PIPER AIRCRAFT
PA-28-181
AIRPLANE PARTS CATALOG

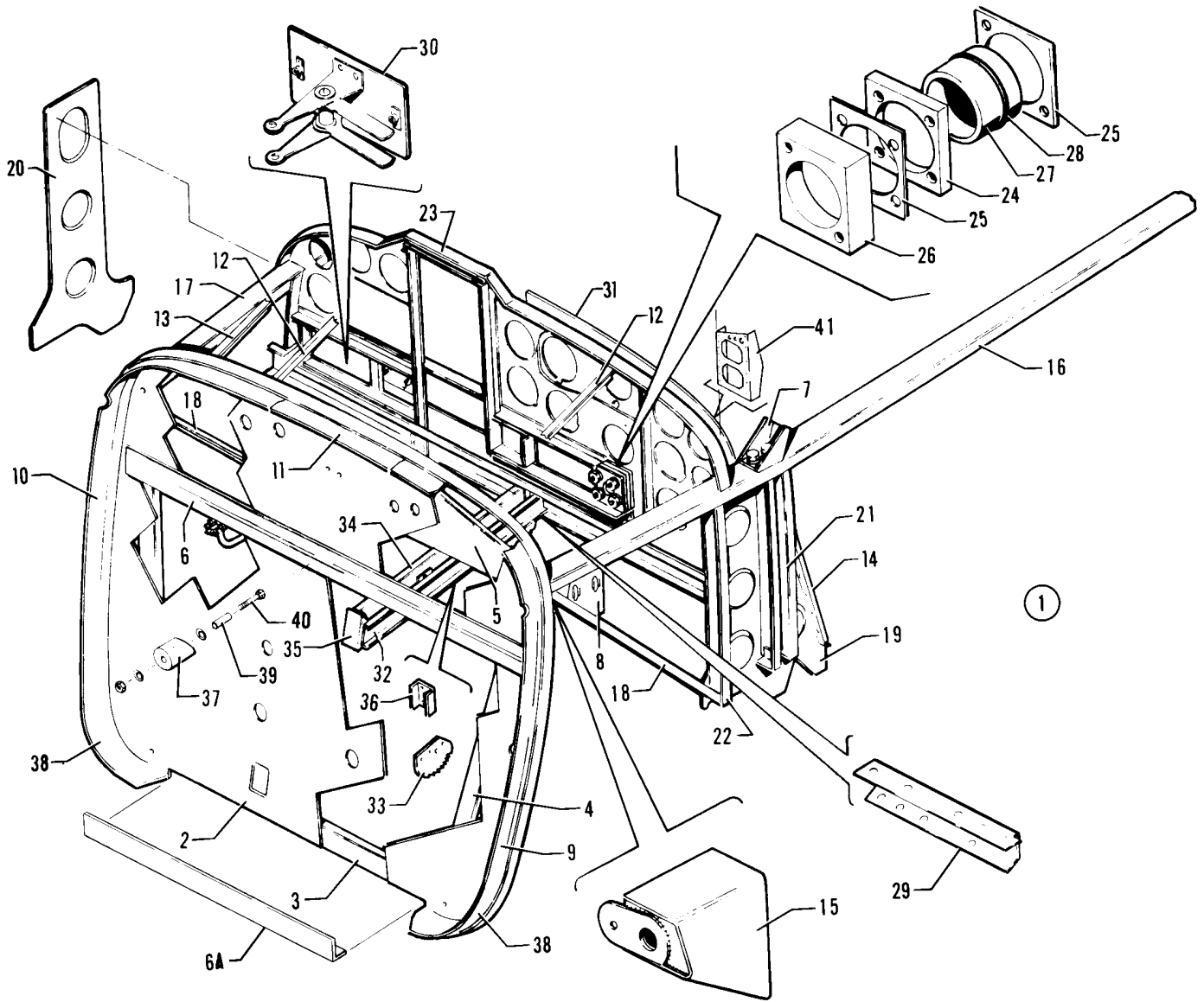


Figure 8. Fuselage Upper Forward Cockpit Assembly

Reissued: September 15, 1994

1B14

Island Enterprises

**PIPER AIRCRAFT
PA-28-181
AIRPLANE PARTS CATALOG**

CODE EXPLANATIONS FOR FIGURE 8

- A - Serial number of aircraft must be supplied when ordering this part.
- B - Used if Century 21 AutoPilot is installed.
- C - Used if King KAP 100/150 AutoPilot is installed.

Reissued: September 15, 1994

1B15

Island Enterprises

PIPER AIRCRAFT PA-28-181 AIRPLANE PARTS CATALOG

Figure and Index Number	Part Number	Code	Nomenclature	No. Req.	Serial Numbers Affected
8 -1	76470-909	A	UPPER COCKPIT ASSEMBLY - Forward	1	
-2	65845-04		* FRAME ASSEMBLY - Firewall	1	28-7690001 to 28-7990626 incl.
	65845-05		* FRAME ASSEMBLY - Firewall	1	28-8090001 and up
-3	62438-00		** CHANNEL - Upper cockpit assembly, firewall	1	
-4	63436-00		** CHANNEL - Upper cockpit, firewall, left	1	
	63436-01		** CHANNEL - Upper cockpit, firewall, right	1	
-5	67266-02		** BEAM - Upper cockpit, firewall	1	
-6	63423-04		** CHANNEL ASSEMBLY - Toe brake reinforcement	1	
-6a	63285-00		** ANGLE - firewall	1	
-7	62522-00		* FITTING - Upper forward cockpit, sta 73	1	28-7690001
	79553-00		* FITTING - Upper forward cockpit, Sta. 73, left	1	28-7690002 and up
	79553-01		* FITTING - Upper forward cockpit, Sta. 73, right	1	28-7690002 and up
-8	79468-00		* PLATE ASSEMBLY - Voltage regulator support, left	1	28-7690001 to 28-7690479 incl.
	79655-02		* PLATE ASSEMBLY - Voltage regulator support, left	1	28-7790001 to 28-8090382 incl.
	39769-02		* PLATE ASSEMBLY - Voltage regulator support, left	1	28-8190001 to 2890205 incl.
	39769-04		* PLATE ASSEMBLY - Voltage regulator support, left	1	2890206 and up
-9	65134-02		* FLANGE - Nose cowl attaching, left	1	28-7690001 to 28-7790547 incl.
	79795-04		* FLANGE - Nose cowl attaching, left	1	28-7790548 and up
-10	65134-03		* FLANGE - Nose cowl attaching, right	1	28-7690001 to 28-7790547 incl.
	79795-03		* FLANGE - Nose cowl attaching, right	1	28-7790548 and up
-11	65134-04		* FLANGE - Nose cowl attaching, top	1	28-7690001 to 28-7790547 incl.
	79795-02		* FLANGE - Nose cowl attaching, top	1	28-7790548 and up
-12	67259-02		* ANGLE - Stiffener, upper forward cockpit	2	
-13	67258-00		* ANGLE - Stiffener, upper forward cockpit	1	
-14	76137-02		* CHANNEL - Sta. 73.04	1	
-15	62425-00		* FITTING - Engine mount center, left	1	28-7690001 to 28-7790196 incl.
	62425-01		* FITTING - Engine mount center, right	1	28-7690001 to 28-7790196 incl.
	79739-02		* FITTING - Engine mount center, left	1	28-7790197 and up
	79739-03		* FITTING - Engine mount center, right	1	28-7790197 and up
-16	76489-02		* LONGERON - Upper, left	1	
-17	62473-00		* LONGERON - Upper, right, front	1	28-7690001
	62473-02		* LONGERON - Upper, right, front	1	28-7690002 and up
-18	62485-00		* CHANNEL - Left	1	
	62485-01		* CHANNEL - Right	1	
-19	76136-00		* WEB - Fuselage, left side	1	
-20	62499-02		* WEB ASSEMBLY - Fuselage, right side	1	
-21	62653-06		* FRAME ASSEMBLY - Upper forward cockpit, left	1	
-22	62674-01		* ZEE - Upper forward cockpit, right	1	
-23	79329-02		PANEL ASSEMBLY - Instrument	1	28-7690001 to 28-8190018 incl.
	79329-07		PANEL ASSEMBLY - Instrument	1	28-8190019 and up
-24	68272-02		** PLATE - Control wheel	2	
-25	68272-03		** PLATE - Control wheel	4	
-26	68272-04		** PLATE - Control wheel	2	
-27	68273-02		* BUSHING - Control wheel	2	
-28	484 792		* O-RING - Control wheel (MS28775-218)	2	
-29	67125-00		** CHANNEL - Hand brake	1	
-30	79863-03		** CONTROL ASSEMBLY - Heat and defroster	1	
-31	79567-03	B	PANEL - Instrument, left	1	28-8190019 and up
	39875-02	C	PANEL - Instrument, left	1	28-8390001 and up
-32	67137-00		CHANNEL ASSEMBLY - Brake support, left	1	
-33	63354-00		* RATCHET - Brake handle	1	
-34	67138-00		CHANNEL ASSEMBLY - Brake support, right	1	
-35	67139-00		CHANNEL - Brake support, forward	1	
-36	67140-02		CHANNEL ASSEMBLY - Brake support, aft	1	
-37	63927-00		BUMPER - Tee bar	1	
-38	65134-06		FLANGE - Nose cowl attaching, bottom, left	1	28-7690001 to 28-7790547 incl.
	65134-05		FLANGE - Nose cowl attaching, bottom, right	1	28-7690001 to 28-7790547 incl.

When ordering, always specify Part Number, Description, and Serial Number of Aircraft

Reissued: September 15, 1994

1B16

Island Enterprises

**PIPER AIRCRAFT
PA-28-181
AIRPLANE PARTS CATALOG**

Figure and Index Number	Part Number	Code	Nomenclature	No. Req.	Serial Numbers Affected
8 -39	63900-64		BUSHING - Tee bar bumper	1	
-40	400 444		BOLT - (AN3-13A)	1	
	407 564		WASHER - (AN960-10)	1	
	404 887		NUT - (MS20365-1032C)	1	
-41	39876-02	C	DOUBLER - Instrument panel, upper left	1	28-8390001 and up

When ordering, always specify Part Number, Description, and Serial Number of Aircraft

Reissued: September 15, 1994

1B17

Island Enterprises

PIPER AIRCRAFT
PA-28-181
AIRPLANE PARTS CATALOG

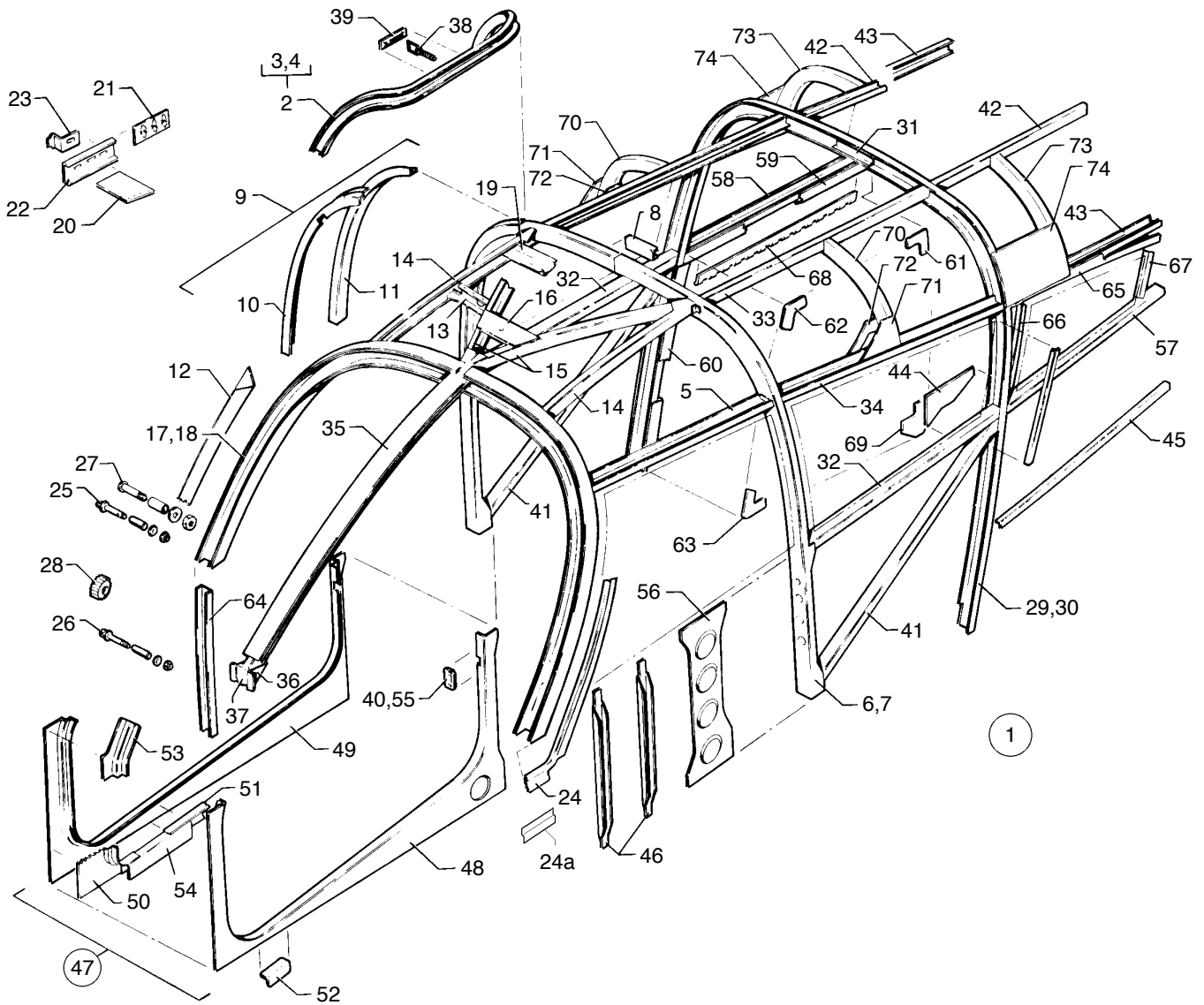


Figure 9. Fuselage Upper Center Cockpit Assembly

Reissued: September 15, 1994

1B18

Island Enterprises

**PIPER AIRCRAFT
PA-28-181
AIRPLANE PARTS CATALOG**

CODE EXPLANATIONS FOR FIGURE 9

A - Used if .250 thick sound reduction windshield is installed.

Reissued: September 15, 1994

1B19

Island Enterprises

PIPER AIRCRAFT

PA-28-181

AIRPLANE PARTS CATALOG

Figure and Index Number	Part Number	Code	Nomenclature	No. Req.	Serial Numbers Affected
9 -1	76470-910		UPPER COCKPIT ASSEMBLY - Center	1	
-2	76130-12		* PAN ASSEMBLY - Upper center	1	28-7690001
	79561-900		* PAN ASSEMBLY - Upper Center	1	28-7690002 and up
-3	76130-14		** PAN - Outer	1	28-7690001
	79561-09		** PAN - Outer	1	28-7690002 and up
-4	76130-00		** PAN - Inner	1	28-7690001
	79561-10		** PAN Inner	1	28-7690002 and up
-5	76132-03		** CHANNEL - Left front window, top	1	
-6	62426-05		* FRAME ASSEMBLY - Fuselage, sta 108.16	1	28-7690001
-7	62427-00		** CHANNEL - Fuselage frame, left	1	
7	62427-02		** CHANNEL - fuselage frame, right	1	
-8	62429-00		** CHANNEL - Splice plate	1	
-9	62551-02		* PAN ASSEMBLY - Side	1	28-7690001
	79561-903		* PAN ASSEMBLY - Side	1	28-7690002 and up
-10	62494-02		** PAN - Inner	1	28-7690001
	79561-08		** PAN - Inner	1	28-7690002 and up
-11	62495-02		** PAN - Outer	1	28-7690001
	79561-07		** PAN - Outer	1	28-7690002 and up
-12	79561-04		* JAMB - Door, forward	1	28-7690002 and up
-13	63038-02		* CHANNEL - Support	1	
-14	76131-00		* CHANNEL - Upper center cockpit, left	1	28-7690001
	76140-03		* CHANNEL - Upper center cockpit, left	1	28-7690002 and up
	76131-02		* CHANNEL - Upper center cockpit, right	1	28-7690001
	76140-04		* CHANNEL - Upper center cockpit, right	1	28-7690002 and up
-15	66968-00		* CHANNEL ASSEMBLY - Upper center fuselage, left	1	28-7690001
	66969-02		* CHANNEL - Upper center fuselage, left	1	28-7690002 and up
	66968-01		* CHANNEL ASSEMBLY - Upper center fuselage, right	1	28-7690001
	66969-03		* CHANNEL - Upper center fuselage, right	1	28-7690002 and up
-16	79161-00		* DOUBLER - Antenna	1	
-17	62518-17		* FRAME ASSEMBLY - Canted, fuselage, sta 85.6	1	28-7690001
	76468-00		* FRAME ASSEMBLY - Canted, fuselage, sta 85.6	1	28-7690002 and up
-18	62518-14		** CHANNEL ASSEMBLY, Left	1	28-7690001
	76468-02		** CHANNEL - Left	1	28-7690002 and up
	62518-15		** CHANNEL ASSEMBLY - Right	1	28-7690001
	76468-03		** CHANNEL - Right	1	28-7690002 and up
-19	76239-00		* CHANNEL - Upper Cockpit	1	
-20	76365-00		* PLATE - Door latch	1	
-21	69738-00		* PLATE ASSEMBLY - Door latch	1	
-22	69740-02		* CHANNEL - Door latch	1	28-7690002 and up
-23	69739-00		* CLIP - Door latch	1	
-24	62420-23		RETAINER - Windshield, left, upper	1	28-7690001
	69891-10		RETAINER - Windshield, left, upper	1	28-7690002 and up
	69881-12	A	RETAINER - Windshield, left, upper	1	
	62420-25		RETAINER - Windshield, left, lower	1	28-7690001
	69891-02		RETAINER - Windshield, left, lower	1	28-7690002 and up
	69891-04	A	RETAINER - Windshield, left, lower	1	
	69891-15		RETAINER - Windshield, left, lower	1	2890206 and up
	62420-24		RETAINER - Windshield, right upper	1	28-7690001
	69891-11		RETAINER - Windshield, right, upper	1	28-7690002 and up
	69891-13	A	RETAINER - Windshield, right, upper	1	28-7690002 and up
	62420-26		RETAINER - Windshield, right, lower	1	28-7690001
	69891-03		RETAINER - Windshield, right, lower	1	28-7690002 and up
	69891-05	A	RETAINER - Windshield, right, lower	1	28-7690002 and up
	69891-14		RETAINER - Windshield, right, lower	1	2890206 and up
-24a	69891-18		RETAINER ASSEMBLY - Windshield, left	1	2890206 and up
	69891-17		RETAINER ASSEMBLY - Windshield, right	1	2890206 and up

When ordering, always specify Part Number, Description, and Serial Number of Aircraft

Reissued: September 15, 1994

1B20

Island Enterprises

**PIPER AIRCRAFT
PA-28-181
AIRPLANE PARTS CATALOG**

Figure and Index Number	Part Number	Code	Nomenclature	No. Req.	Serial Numbers Affected
9 -25	402 057		BOLT - Eye, upper door hinge attachment (AN44-17A)	1	
	407 586		WASHER - (AN960-516L)	1	
	404 837		NUT - (MS20364-524C)	1	
	63900-47		BUSHING - Upper door hinge	1	
-26	402 057		BOLT - Eye, door hinge attachment (AN44-17A)	1	
	407 586		WASHER - (AN960-516L)	1	
	404 837		NUT - (MS20364-524C)	1	
	63900-46		BUSHING - Lower door hinge	1	
-27	400 883		BOLT - Clevis (AN23-31A)	1	
	407 584		WASHER - (AN960-10L)	1	
	404 887		NUT - (MS20365-1032C)	1	
	63900-48		BUSHING - Door hinge	1	
-28	21741-00		BUSHING - Serrated door hinge	1	
-29	62412-02		FRAME ASSEMBLY - Fuselage, Sta. 128.737, upper	1	
-30	62410-00		* CHANNEL - Upper frame, left	1	
	62410-01		* CHANNEL - Upper frame, right	1	
-31	62430-00		* CHANNEL - Splice plate	1	
-32	65572-00		LONGERON - Upper center cockpit, left	1	
	65572-01		LONGERON - Upper center cockpit, right	1	
-33	62477-00		CHANNEL - Upper center cockpit, left	1	
	62477-01		CHANNEL - Upper center cockpit, right	1	
-34	67262-02		CHANNEL - Upper center cockpit, left	1	
	67262-03		CHANNEL - Upper center cockpit, right	1	
-35	62509-02		HAT ASSEMBLY - Windshield	1	28-7690001
	62509-03		HAT ASSEMBLY - Windshield	1	28-7690002 and up
	62509-04	A	HAT ASSEMBLY - Windshield	1	28-7690002 and up
-36	62505-00		* BRACKET - Windshield	1	
-37	62423-00		* FITTING - Upper engine mount	1	
-38	63037-00		LOOP ASSEMBLY - Door latch	1	
-39	79234-00		PLATE - Door latch	1	
-40	63293-02		PLATE - Striker	1	28-7690001
	79521-00		CATCH ASSEMBLY - Door frame	1	28-7690002 and up
-41	65570-00		CHANNEL - Upper center cockpit, left	1	
	65570-01		CHANNEL - Upper center cockpit, right	1	
-42	62639-00		CHANNEL - Upper center cockpit, left	1	
	62639-01		CHANNEL - Upper center cockpit, right	1	
-43	67291-00		STRINGER - Upper center cockpit, left	1	
	67291-01		STRINGER - Upper center cockpit, right	1	
-44	65117-00		GUSSET - Upper center cockpit, left	1	
	65116-00		GUSSET - Upper center cockpit, right	1	
-45	62677-00		STIFFENER - Left side, rear	1	
-46	99421-00		SUPPORT - Rear, left	1	
	99421-00		SUPPORT - Front, left	1	
-47	76139-00		PAN ASSEMBLY - Lower, upper cockpit	1	28-7690001
	76467-00		PAN ASSEMBLY - Lower, upper cockpit	1	28-7690002 and up
-48	76467-03		* PAN - Inboard	1	28-7690002 and up
-49	76467-02		* PAN - Outboard	1	28-7690002 and up
-50	76139-02		* PAN ASSEMBLY - Inboard and outboard, front	1	28-7690001
-51	76139-03		* PAN ASSEMBLY - Inboard and outboard, rear	1	28-7690001
-52	62656-00		* ANGLE ASSEMBLY - Door holder	1	
-53	62501-00		* CHANNEL - Door frame splice	1	28-7690001
	76467-04		* CHANNEL - Door frame splice	1	28-7690002 and up

When ordering, always specify Part Number, Description, and Serial Number of Aircraft

Reissued: September 15, 1994

1B21

Island Enterprises

**PIPER AIRCRAFT
PA-28-181
AIRPLANE PARTS CATALOG**

Figure and Index Number	Part Number	Code	Nomenclature	No. Req.	Serial Numbers Affected
9 -54	76138-00		* CHANNEL - Pan upper cockpit	1	28-7690001
-55	79639-02		* PLATE - Door latch	1	28-7690002 and up
-56	62644-00		WEB - Upper center fuselage, left	1	
-57	62637-00		CHANNEL - Fuselage rear, left	1	
-58	62635-00		CHANNEL - Baggage door frame, top, inner	1	
-59	62634-00		CHANNEL - Baggage door frame, top, outer	1	
-60	62636-00		CHANNEL - Baggage door frame, front	1	
-61	76279-00		GUSSET - Baggage door frame, top, rear	1	
-62	62632-00		GUSSET - Baggage door frame, top, front	1	
-63	62633-00		GUSSET - Baggage door frame, bottom, front	1	
-64	62483-02		CHANNEL - Right door, front, Sta. 72.6	1	
-65	67267-00		CHANNEL - Support, left	1	
	67267-01		CHANNEL - Support, right	1	
-66	76261-00		ANGLE - Support, left	1	
	76261-01		ANGLE - Support, right	1	
-67	76262-00		ANGLE - Support, left	1	
-68	62419-11		HINGE HALF - Baggage door	1	
-69	62571-00		GUSSET - Baggage door frame, bottom, rear	1	
-70	99690-00		CHANNEL - Upper cockpit, left	1	
	99690-01		CHANNEL - Upper cockpit, right	1	
-71	99692-00		DOUBLER - Shoulder harness, left	1	
	99692-01		DOUBLER - Shoulder harness, right	1	
-72	99741-00		GUSSET - Headliner attachment, left	1	
	99741-01		GUSSET - Headliner attachment, right	1	
-73	99691-00		CHANNEL - Upper cockpit, rear, left	1	
	99691-01		CHANNEL - Upper cockpit, rear, right	1	
-74	99693-00		DOUBLER - Shoulder harness, rear	2	

When ordering, always specify Part Number, Description, and Serial Number of Aircraft

Reissued: September 15, 1994

1B22

Island Enterprises

PIPER AIRCRAFT
PA-28-181
AIRPLANE PARTS CATALOG

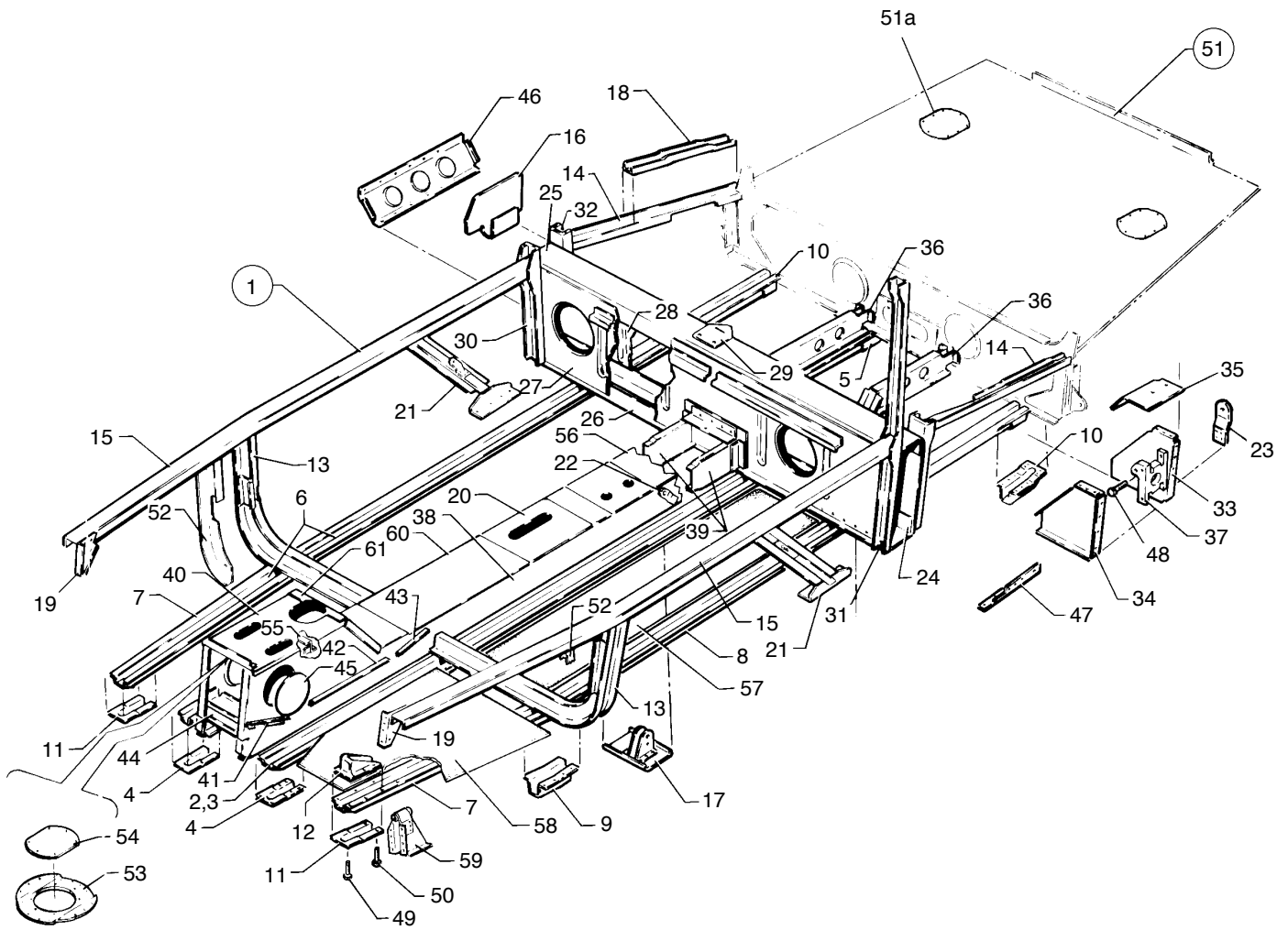


Figure 10. Fuselage Lower Forward Cockpit Assembly

Reissued: September 15, 1994

1B23

**PIPER AIRCRAFT
PA-28-181
AIRPLANE PARTS CATALOG**

CODE EXPLANATIONS FOR FIGURE 10

- A - Used if air conditioning is installed.
- B - See Figure 11 for component parts.

**PIPER AIRCRAFT
PA-28-181
AIRPLANE PARTS CATALOG**

Figure and Index Number	Part Number	Code	Nomenclature	No. Req.	Serial Numbers Affected
10-1	76470-905		COCKPIT ASSEMBLY - Lower forward	1	
-2	76469-946		* HAT ASSEMBLY - Inboard, left	1	
	76469-946		* HAT ASSEMBLY - Inboard, right	1	
-3	76114-00		** HAT	1	
-4	62543-00		** FAIRING - Front, left, inboard	1	
	65543-00		** FAIRING - Front, right, inboard	1	
	62543-02	A	** FAIRING - Front, right, inboard	1	
-5	62554-00		** FAIRING - Rear	1	
-6	76469-947		* HAT ASSEMBLY - Outboard, left	1	
	76469-948		* HAT ASSEMBLY - Outboard, right	1	
-7	62528-00		** HAT - Front, left	1	
	62528-01		** HAT - Front, right	1	
-8	76115-00		** HAT - Rear, left	1	
	76115-01		** HAT - Rear, right	1	
-9	62558-00		** FAIRING - Center, left	1	
	62558-01		** FAIRING - Center, right	1	
-10	62554-00		** FAIRING - Rear, left and right	2	
-11	62544-00		** FAIRING - Front, left, outboard	1	
	62544-01		** FAIRING - Front, right, outboard	1	
-12	62441-00		* FITTING - Engine, lower, left	1	
	62441-01		* FITTING - Engine, lower, right	1	
-13	76126-00		* FRAME ASSEMBLY - Fuselage, Sta. 73.04	1	
-14	62525-00		* STRINGER - Rear of spar box, left	1	
	62525-01		* STRINGER - Rear of spar box, right	1	
-15	76490-02		* LONGERON - Lower cockpit, left	1	
	76490-03		* LONGERON - Lower cockpit, right	1	
-16	62542-00		* GUSSET - Lower cockpit, left	1	
	62542-01		* GUSSET - Lower cockpit, right	1	
-17	65636-00		* BRACKET ASSEMBLY - Pulley mounting	1	
-18	62551-00		* CHANNEL - Lower cockpit, left	1	
	62551-01		* CHANNEL - Lower cockpit, right	1	
-19	62581-00		* BRACKET - Lower cockpit, right	1	
	62581-01		* BRACKET - Lower cockpit, left	1	
-20	62598-00		* PLATE - Tunnel	1	
-21	96890-00		* HAT ASSEMBLY - Seat belt attachment, left	1	
	96890-01		* HAT ASSEMBLY - Seat belt attachment, right	1	
-22	96887-02		* BRACKET - Seat belt attachment, left	1	
	96887-00		* BRACKET - Seat belt attachment, right	1	
-23	79319-00		* BRACKET - Seat belt attachment	1	
-24	99127-04		* BOX ASSEMBLY - Spar, lower cockpit	1	
-25	62539-00		** CHANNEL - Spar box, top	1	
-26	62540-00		** CHANNEL - Spar box, bottom	1	
-27	99129-03		** WEB - Spar box, front	1	
-28	99123-00		** WEB - Spar box, rear	1	
-29	99045-00		** BRACKET - Flap return spring	1	
-30	67286-00		** CHANNEL - Spar box, right	1	
-31	62546-00		** CHANNEL - Spar box, left	1	
-32	62428-00		** CHANNEL - Spar box, left	1	
	62428-01		** CHANNEL - Spar box, right	1	
-33	62536-04		* SUPPORT - Rear seat bottom, left	1	
	62536-05		* SUPPORT - Rear seat bottom, right	1	
-34	62550-00		* SUPPORT - Rear seat bottom, left	1	
	62550-01		* SUPPORT - Rear seat bottom, right	1	

When ordering, always specify Part Number, Description, and Serial Number of Aircraft

Reissued: September 15, 1994

**PIPER AIRCRAFT
PA-28-181
AIRPLANE PARTS CATALOG**

Figure and Index Number	Part Number	Code	Nomenclature	No. Req.	Serial Numbers Affected
10-35	62583-00		* PLATE - Flap torque tube support, left	1	
	62583-01		* PLATE - Flap torque tube support, right	1	
-36	62763-00		* SUPPORT - Torque shaft center	2	
-37	62421-00		* FITTING - Flap torque tube assembly, left	1	
	62421-01		* FITTING - Flap torque tube assembly, right	1	
-38	76218-00		* CHANNEL - Tunnel, side, left	1	
	76218-01		* CHANNEL - Tunnel, side, right	1	
-39	76119-00		* CHANNEL - Tunnel, side extension, left	1	
	76119-01		* CHANNEL - Tunnel, side extension, right	1	
-40	62601-03		* PLATE - Tunnel, top front	1	
-41	62603-00		* ANGLE - Tunnel, heat duct, left	1	
	62603-01		* ANGLE - Tunnel, heat duct, right	1	
-42	99417-00		* ANGLE - Tunnel, heat duct, left	1	
	99417-00		* ANGLE - Tunnel, heat duct, right	1	
-43	99417-00		* ANGLE - Tunnel, heat duct	2	
-44	62620-00		* BRACKET - Pulley	2	
-45	12761-02		* COVER ASSEMBLY - Inspection	2	
-46	65126-00		* STIFFENER - Lower cockpit, right	1	
-47	65126-01		* STIFFENER - Lower cockpit, left	1	
-48	401 269		* BOLT - Top forward (AN3-10A)	2	
	401 266		* BOLT - Bottom forward and rear (AN3-5A)	6	
	407 694		* WASHER - (AN960-D10)	10	
	404 887		* NUT - (MS20365-1032C)	8	
-49	415 321		* BOLT - (MS27039-1-11)	4	
	407 694		* WASHER - (AN960-D10)	4	
	404 887		* NUT - (MS20365-1032C)	4	
-50	415 323		* BOLT - (MS27039-1-13)	8	
	407 694		* WASHER - (AN960-D10)	8	
	404 887		* NUT - (MS20365-1032C)	8	
-51	76470-907	B	* LOWER COCKPIT ASSEMBLY - Aft	1	
-51a	62109-00		* COVER - Inspection access	2	
-52	76120-00		* CHANNEL - Sta. 67.68, left	1	
	76120-01		* CHANNEL - Sta. 67.68, right	1	
-53	36565-03		* DOUBLER ASSEMBLY - Transponder antenna access	1	
-54	36565-02		* PLATE - Transponder antenna access	1	
-55	62664-00		* ZEE ASSEMBLY - Tunnel	2	
-56	76121-00		PLATE - Tunnel, top rear	1	
-57	96684-00		FLOORBOARD - Sta. 74 to Sta. 105, left and right	2	
-58	76123-04		FLOORBOARD - Front, left	1	
	76123-05		FLOORBOARD - Front, right	1	
-59	79258-00		BRACKET ASSEMBLY - Rudder pedal stop, left	1	
	79258-01		BRACKET ASSEMBLY - Rudder pedal stop, right	1	
-60	63287-00		PLATE - Tunnel, top, center rear	1	
-61	63288-00		PLATE - Tunnel, top, center front	1	

When ordering, always specify Part Number, Description, and Serial Number of Aircraft

Reissued: September 15, 1994

1C2

Island Enterprises

**PIPER AIRCRAFT
PA-28-181
AIRPLANE PARTS CATALOG**

THIS PAGE INTENTIONALLY LEFT BLANK

Reissued: September 15, 1994

PIPER AIRCRAFT
PA-28-181
AIRPLANE PARTS CATALOG

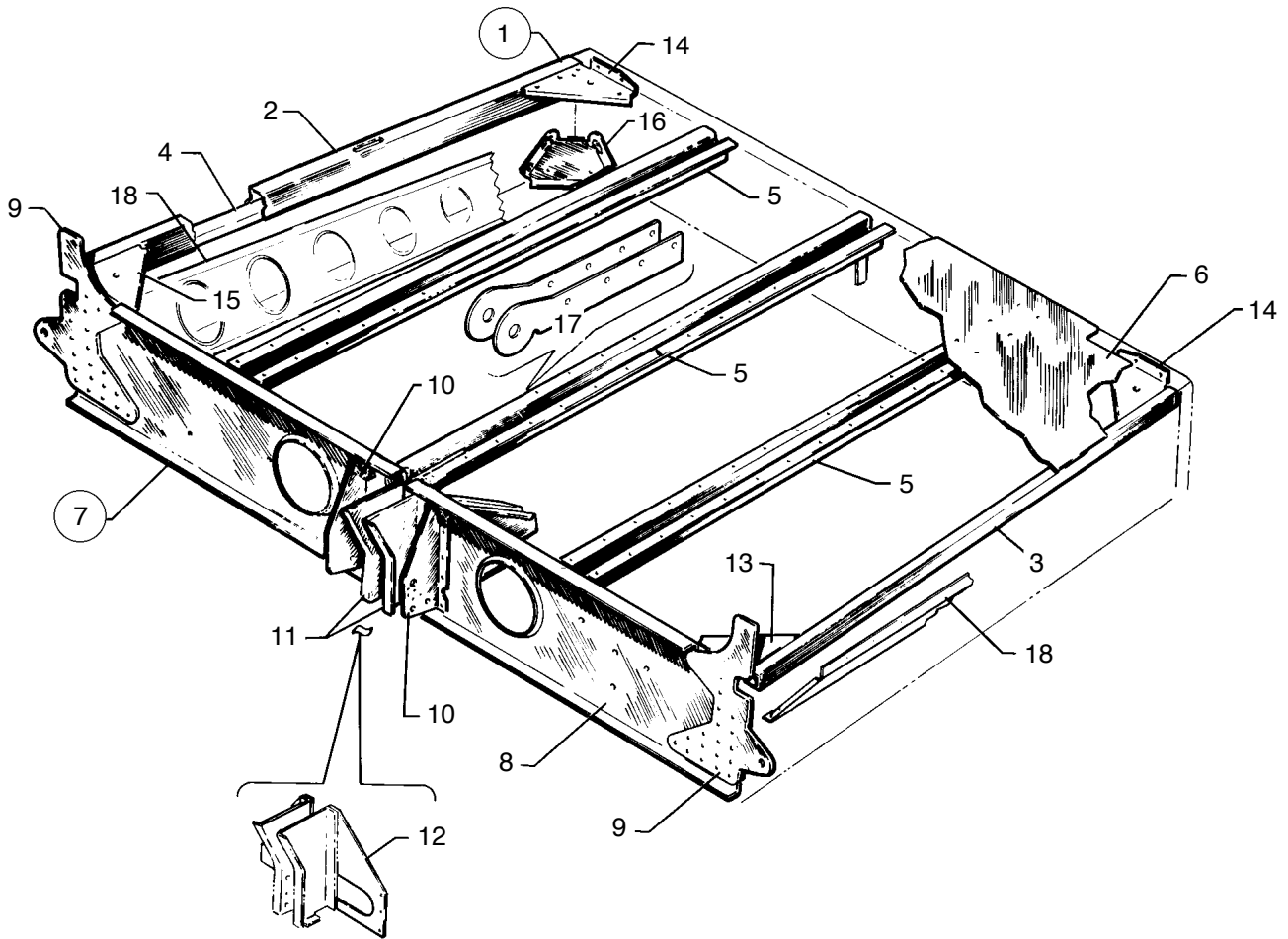


Figure 11. Fuselage Lower Aft Cockpit Assembly

Reissued: September 15, 1994

1C4

Island Enterprises

**PIPER AIRCRAFT
PA-28-181
AIRPLANE PARTS CATALOG**

CODE EXPLANATIONS FOR FIGURE 11

- A - Used if baggage door has push button latch.
- B - Used if access covers are installed.

Reissued: September 15, 1994

1C5

Island Enterprises

**PIPER AIRCRAFT
PA-28-181
AIRPLANE PARTS CATALOG**

Figure and Index Number	Part Number	Code	Nomenclature	No. Req.	Serial Numbers Affected
11-1	76470-907		LOWER COCKPIT ASSEMBLY - Aft	1	
-2	66796-00	A	* CHANNEL - Baggage compartment, right	1	
-3	62537-00		* STRINGER ASSEMBLY - Left	1	
-4	62534-00		* CHANNEL - Right	1	
-5	62531-00		* HAT - Baggage floor	3	
-6	66795-00	A	* FLOOR ASSEMBLY - Baggage compartment	1	
	66795-02	B	** FLOOR - Baggage compartment	1	
-7	62695-04		* FRAME ASSEMBLY - Lower, Sta. 128.737	1	
-8	62411-02		** CHANNEL - Lower cockpit	1	
-9	62448-02		** FITTING - Lower cockpit, left	1	
	62448-03		** FITTING - Lower cockpit, right	1	
-10	62563-02		** BRACKET - Lower cockpit, left	1	
	62563-01		** BRACKET - Lower cockpit, right	1	
-11	35142-00		** BRACKET - Rear seat belt support, left	1	
	35142-01		** BRACKET - Rear seat belt support, right	1	
-12	99701-00		** DOUBLER - Seat belt attachment	1	
-13	62529-00		* BRACKET - Baggage compartment	1	
-14	62618-00		* BRACKET - Baggage compartment, left	1	
	62618-01		* BRACKET - Baggage compartment, right	1	
-15	62619-00		* BRACKET - Baggage compartment, right	1	
-16	65383-00		* DOUBLER ASSEMBLY - Step	1	
-17	99699-00		* CHANNEL - Seat belt attachment	1	
-18	65128-00		* DOUBLER - Baggage compartment, left	1	
	65128-01		* DOUBLER - Baggage compartment, right	1	

When ordering, always specify Part Number, Description, and Serial Number of Aircraft

Reissued: September 15, 1994

1C6

Island Enterprises

**PIPER AIRCRAFT
PA-28-181
AIRPLANE PARTS CATALOG**

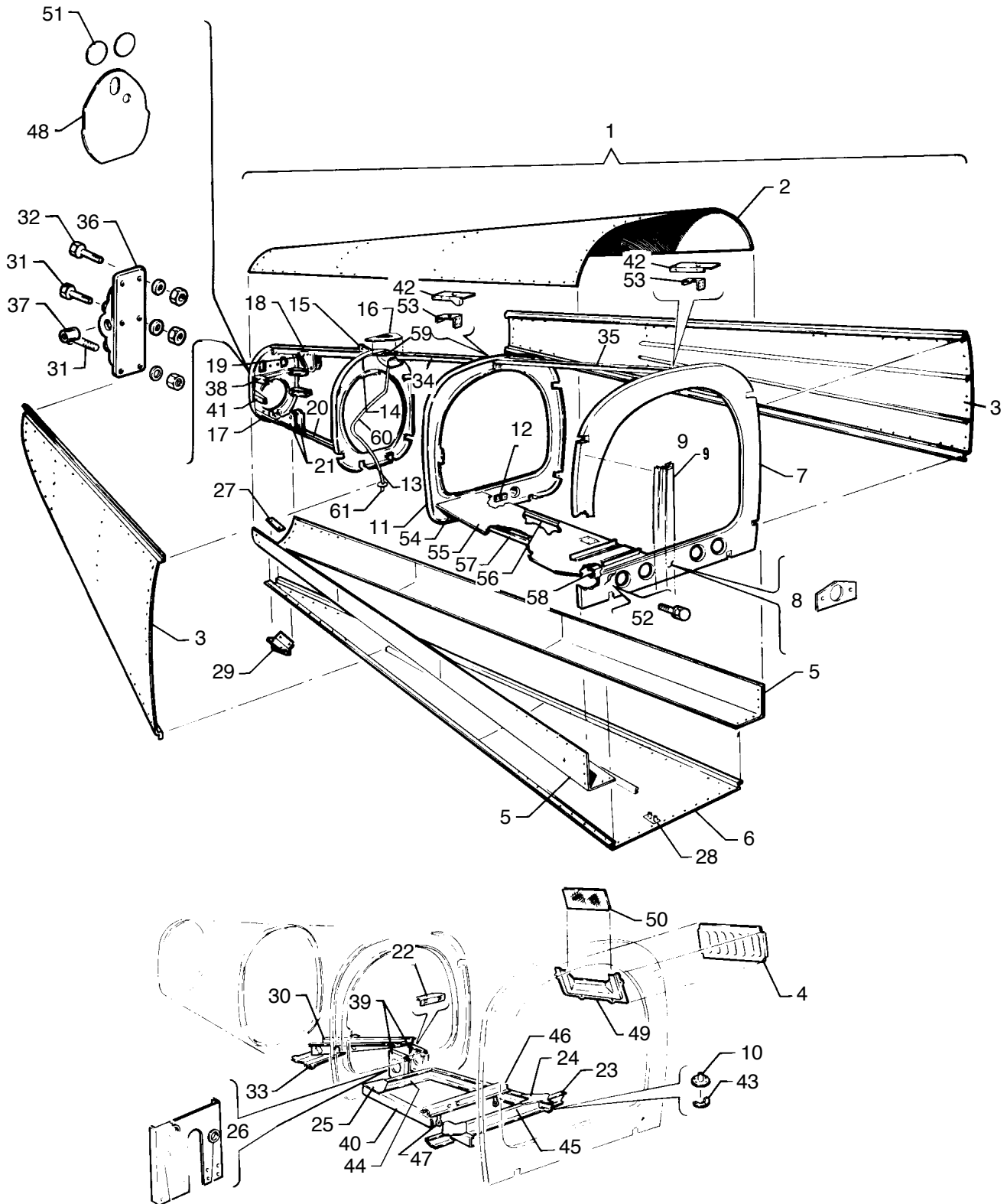


Figure 12. Fuselage Aft Section

Reissued: September 15, 1994

**PIPER AIRCRAFT
PA-28-181
AIRPLANE PARTS CATALOG**

CODE EXPLANATIONS FOR FIGURE 12

- A - Used if air conditioning is installed.
- B - When ordering for 1978 or 1979 models, specify with or without provisions for air conditioning. When ordering for 1980 models and up, specify if air conditioning or fresh air ventilation system is installed.
- C - Used when fresh air ventilation system is installed.

**PIPER AIRCRAFT
PA-28-181
AIRPLANE PARTS CATALOG**

Figure and Index Number	Part Number	Code	Nomenclature	No. Req.	Serial Numbers Affected
12-	99466		DRAWING - Fuselage Assembly, Aft Section		
-1	76470-904	B	FUSELAGE ASSEMBLY - Aft section	1	
-2	99468-03		* SKIN - Upper	1	
-3	99470-00		* SKIN ASSEMBLY - Side, left	1	
	99470-800	C	* SKIN ASSEMBLY - Side, left	1	28-8090001 and up
	99470-01		* SKIN ASSEMBLY - Side, right	1	
	99549-08	A	* SKIN ASSEMBLY - Side, left	1	
	99549-07	A	* SKIN ASSEMBLY - Side, right	1	
-4	99559-00	A	** LOUVER - Air conditioning exhaust, left	1	
	99559-01	A	** LOUVER - Air conditioning exhaust, right	1	
-5	99471-02		* SKIN - Lower side, left	1	
	99471-03		* SKIN - Lower side, right	1	
-6	99469-04		* SKIN ASSEMBLY - Lower center	1	
	99549-10	A	* SKIN ASSEMBLY - Lower center	1	
-7	65640-00		* BULKHEAD ASSEMBLY - Fuselage, Sta. 156.00	1	
	65640-08		* BULKHEAD ASSEMBLY - Fuselage, Sta. 156.00	1	2890206 and up
-8	62665-02		** FAIRLEAD	4	
-9	62630-00		* CHANNEL - Baggage door, right	1	
-10	99609-00	A	* VENT ASSEMBLY - Evaporator	1	
-11	62443-00		* BULKHEAD ASSEMBLY - Fuselage, Sta. 191.00	1	
-12	62662-00		** FAIRLEAD	1	
-13	62444-05		* BULKHEAD ASSEMBLY - Fuselage, Sta. 228.30	1	
-14	62753-00		** BRACKET - Stabilator trim	1	
-15	62453-00		** FITTING - Frame, Sta. 228.30	1	
-16	79272-00		** DOUBLER - Frame, top, Sta. 228.30	1	
-17	62445-00		* BULKHEAD ASSEMBLY - Fuselage, Sta. 255.125	1	
-18	62451-00		* STRINGER ASSEMBLY - Hat section	1	
-19	62452-00		** BRACKET - Stabilator pulley, left	1	
	62452-01		** BRACKET - Stabilator pulley, right	1	
-20	62455-00		* STRINGER ASSEMBLY - Hat section	1	
-21	62457-00		** BRACKET - Stabilator pulley, left	1	
	62457-01		** BRACKET - Stabilator pulley, right	1	
-22	99555-00	A	* BRACKET - Brace	1	
-23	99487-00	A	* BRACE - Condenser frame, left	1	
	99487-01	A	* BRACE - Condenser frame, right	1	
-24	99488-00	A	* GUSSET - Condenser frame, forward	2	
-25	99280-00	A	* GUSSET - Condenser frame, aft, left	1	
	99280-01	A	* GUSSET - Condenser frame, aft, right	1	
-26	76497-02	A	* PANEL ASSEMBLY - Fairlead	1	
	76497-06	A	* PANEL ASSEMBLY - Fairlead	1	2890206 and up
-27	62471-00		* SPACER - Tail skid	2	
-28	63947-00		* VENT ASSEMBLY - Battery	1	
-29	66769-00		* SKID ASSEMBLY - Tail	1	
-30	99558-00	A	* BRACKET - Motor mount, condenser actuator	1	
-31	402 897		* BOLT - (NAS464P3A4)	8	
	407 564		* WASHER - (AN960-10)	12	
	407 584		* WASHER - (AN960-10L)	8	
	404 556		* NUT - (MS21045-L3)	8	
-32	402 890		* BOLT - (NAS464P3A5)	4	
	407 564		* WASHER - (AN960-10)	4	
	407 584		* WASHER - (AN960-10L)	4	
	404 556		* NUT - (MS21045-L3)	4	

When ordering, always specify Part Number, Description, and Serial Number of Aircraft

Reissued: September 15, 1994

**PIPER AIRCRAFT
PA-28-181
AIRPLANE PARTS CATALOG**

Figure and Index Number	Part Number	Code	Nomenclature	No. Req.	Serial Numbers Affected
12-33	99545-00	A	* BRACKET ASSEMBLY - Motor support	1	
-34	79267-00		* STRINGER - Top, Sta. 191 to Sta. 228.30	1	
-35	65114-00		* STRINGER - Top, Sta. 156 to Sta. 191	1	
-36	62645-04		* FITTING ASSEMBLY - Stabilator attachment	2	
	553 266		** BOLT - Elevator stop	2	
	404 224		** NUT - (AN315-3R)	2	
-37	452 394		** BEARING - (DW4K2)	1	
-38	62413-00		* FITTING ASSEMBLY - Upper, left	1	
	62413-01		* FITTING ASSEMBLY - Upper, right	1	
-39	99552-02	A	* BRACKET ASSEMBLY - Condenser door bellcrank, left	1	
	99552-00	A	* BRACKET ASSEMBLY - Condenser door bellcrank, right	1	
-40	99272-00	A	* CHANNEL - Condenser door frame	2	
-41	62414-00		* FITTING ASSEMBLY - Lower, left	1	
	62414-01		* FITTING ASSEMBLY - Lower, right	1	
-42	99813-02		* DOUBLER - Antenna mount, forward	1	
	99805-03		* DOUBLER - Antenna mount, aft	1	
-43	22482-00	A	* SCOOP - Evaporator vent	1	
-44	99273-00	A	* STIFFENER - Condenser door frame	1	
-45	99278-03	A	* ZEE ASSEMBLY - Condenser door frame	1	
-46	99496-00	A	* BRACKET ASSEMBLY - Condenser door actuation	1	
-47	99561-00	A	** BEARING ASSEMBLY - Condenser door actuation	2	
-48	65494-00		PLATE ASSEMBLY - Aft fuselage closeout	1	
-49	99615-00	A	COVER - Air conditioning exhaust louver, left	1	
	99615-01	A	COVER - Air conditioning exhaust louver, right	1	
-50	99631-00	A	FILTER - Air conditioning exhaust	2	
-51	63078-06		DISC - Closeout	2	
-52	400 438		BOLT - (AN3-4A)	4	
	407 694		WASHER - (AN960-D10)	4	
-53	65343-00		CLIP - Antenna mount	2	
-54	67367-00		SHELF ASSEMBLY - Battery	1	
	85417-02		SHELF ASSEMBLY - Battery	1	2890206 and up
-55	79453-00		* WEB - Battery shelf	1	
	85416-02		* WEB - Battery shelf	1	2890206 and up
-56	62463-00		* CHANNEL - Battery shelf, inboard	1	
-57	62464-00		* CHANNEL - Battery shelf, outboard	1	
-58	62465-00		* CHANNEL - Battery shelf, front	2	
	62465-00		* CHANNEL - Battery shelf	3	2890206 and up
-59	86711-06		FITTING ASSEMBLY - Water drain	1	
-60	63904-89		HOSE - Water drain (36.00" L.)	1	
-61	79290-00		TUBE ASSEMBLY - Drain	1	

When ordering, always specify Part Number, Description, and Serial Number of Aircraft

Reissued: September 15, 1994

1C10

Island Enterprises

**PIPER AIRCRAFT
PA-28-181
AIRPLANE PARTS CATALOG**

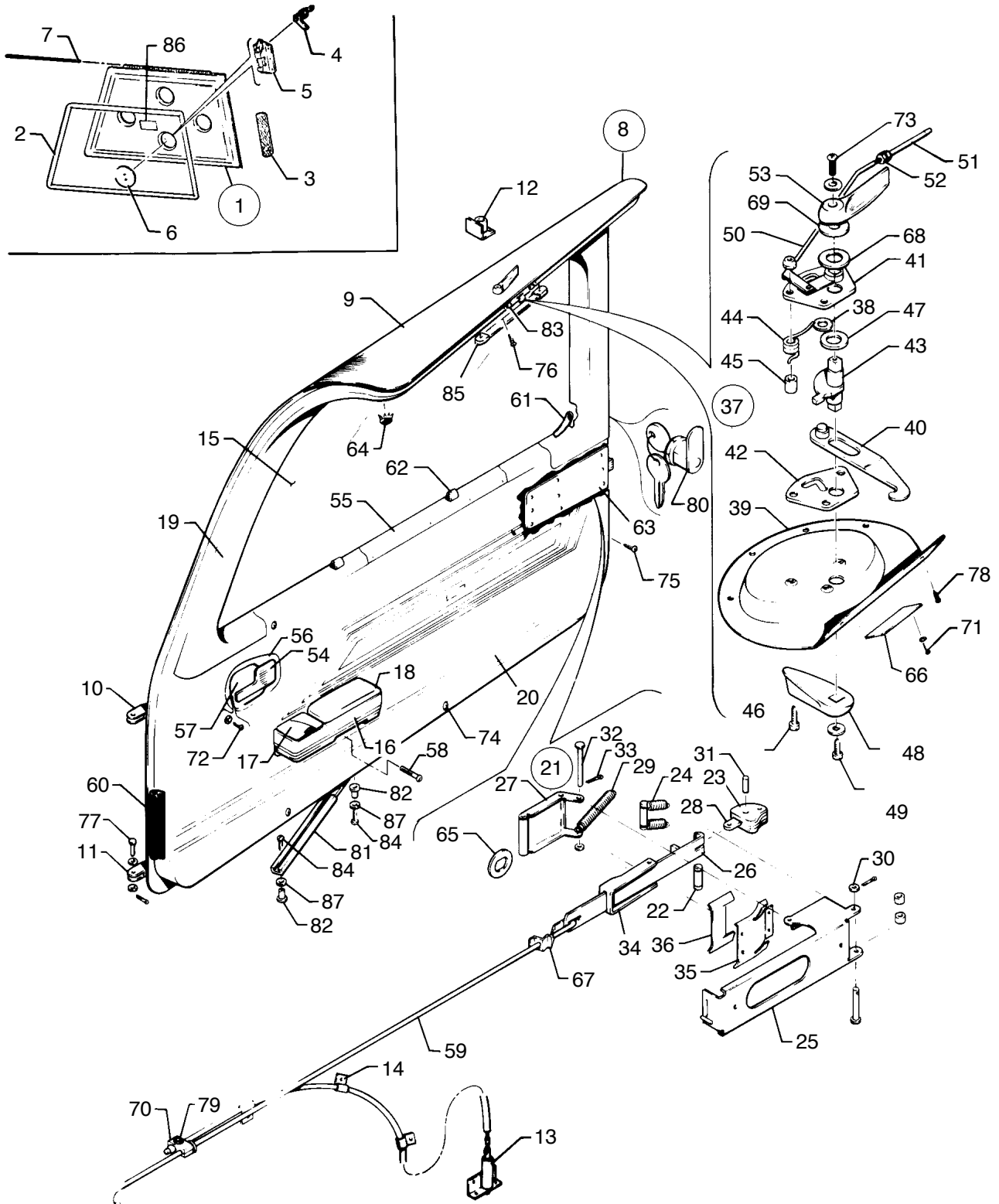


Figure 13. Fuselage Cabin and Baggage Door Installation
(Serial numbers 28-7690001 only)

Reissued: September 15, 1994

**PIPER AIRCRAFT
PA-28-181
AIRPLANE PARTS CATALOG**

CODE EXPLANATIONS FOR FIGURE 13

- A - Complete door assembly not available. Order component parts.
- B - If matching ignition switch, cabin door lock, and baggage door lock are desired, order Kit 470 728.
- C - When ordering, specify color.

**PIPER AIRCRAFT
PA-28-181
AIRPLANE PARTS CATALOG**

Figure and Index Number	Part Number	Code	Nomenclature	No. Req.	Serial Numbers Affected
13-1	66793-18		DOOR ASSEMBLY - Baggage compartment (less lock assembly)	1	
-2	19063-02		* MOULDING - Baggage door (quarter-round type)	9	
	189 139		* MOULDING - Baggage door (bulb type)	9	
-3	65440-801		* STRAP ASSEMBLY - Baggage door, white (socket attachment) (11" L.)	1	
	65440-07		* STRAP ASSEMBLY - Baggage door, white (socket attachment) (11.75" L.)	1	
-4	12761-02		* COVER ASSEMBLY - Lock access (4.75 dia.)	1	
	79452-00		* COVER - Lock access (5.75 dia.)	1	
-5	472 010		* LATCH - Push button (H38-.064-.460)	1	
-6	87329-08	B	LOCK ASSEMBLY - Baggage door (for door with push button latch)	1	
-7	62400-02		PIN - Baggage door hinge	1	
-8	79209-02	A	DOOR ASSEMBLY - Cabin (complete) (less lock assembly)	1	
-9	76145-00		* DOOR ASSEMBLY - Cabin	1	
-10	66913-03		** HINGE - Cabin door, top	1	
-11	66914-02		** HINGE - Cabin door, bottom	1	
-12	96872-00		** BRACKET ASSEMBLY - Upper door latch	1	
-13	96863-00		** ACTUATOR ASSEMBLY - Lower door latch	1	
-14	454 887		** CLAMP - (PS10017-1-3)	3	
-15	76150-02		* WINDOW - Cabin door, tinted (.080 thick)	1	
	76150-04		* WINDOW - Cabin door, clear (.080 thick)	1	
	76435-00		* WINDOW - Cabin door, clear (.125 thick)	1	
	76435-02		* WINDOW - Cabin door, tinted (.125 thick)	1	
-16	66710-17		* HOUSING ASSEMBLY - Armrest	1	
-17	763 003		** BOX ASSEMBLY - Ash tray (S-25-AR-C)	1	
-18	66710-44	C	* PAD - Armrest	1	
	66710-26		* PAD - Armrest, white	1	
-19	79209-10		* COVER ASSEMBLY - Door trim, upper	1	
-20	579 889		* PANEL ASSEMBLY - Door trim, red	1	
	579 888		* PANEL ASSEMBLY - Door trim, blue	1	
	579 887		* PANEL ASSEMBLY - Door trim, gold	1	
	579 886		* PANEL ASSEMBLY - Door trim, black	1	
	579 885		* PANEL ASSEMBLY - Door trim, white	1	
	579 884		* PANEL ASSEMBLY - Door trim, green	1	
-21	68188-00		* LATCH ASSEMBLY - Door	1	
-22	14627-03		** PIN - Door latch	1	
-23	69224-00		** TONGUE ASSEMBLY - Door latch	1	
-24	14635-02		** SPRING	2	
-25	79434-00		** HOUSING ASSEMBLY - Door latch	1	
-26	66654-00		** PLATE ASSEMBLY	1	
-27	79594-00		** PLATE	1	
-28	81262-68		** LINK	1	
-29	83302-43		** SPRING	1	
-30	407 562		** WASHER - (AN960-6)	1	
	424 163		** PIN - (MS20392-1C53)	1	
	424 051		** COTTER PIN - (MS24665-132)	1	
-31	480 694		** ROLL PIN - (59-028-125-05625)	1	
-32	424 162		** PIN - (MS20392-1C49)	1	
-33	424 051		** COTTER PIN - (MS24665-132)	1	
	407 562		** WASHER - (AN960-6)	1	
	14843-90		** BUSHING	1	
-34	66641-00		** PLATE - Door latch stop	1	
-35	21843-00		** PLATE - Seal support	1	
-36	21844-00		** SEAL	1	

When ordering, always specify Part Number, Description, and Serial Number of Aircraft

Reissued: September 15, 1994

**PIPER AIRCRAFT
PA-28-181
AIRPLANE PARTS CATALOG**

Figure and Index Number	Part Number	Code	Nomenclature	No. Req.	Serial Numbers Affected
13-37	96919-00		* LATCH ASSEMBLY - Door, auxiliary	1	
-38	407 641		** WASHER - (AN960B416)	1	
-39	68180-00		** PAN - Door latch	1	
-40	63036-00		** HOOK ASSEMBLY - Door latch	1	
-41	68179-00		** PLATE - Door latch	1	
-42	68179-02		** PLATE - Door latch	1	
-43	63042-02		** CAM - Door latch	1	
-44	63045-00		** SPRING - Door latch	1	
-45	63900-50		** BUSHING	3	
-46	414 769		** SCREW - (AN507-832R14)	3	
	404 833		** NUT - (MS20364-832C)	3	
-47	407 569		** WASHER - (AN960-816)	1	
-48	63039-00		** HANDLE - Door auxiliary, white	1	
-49	415 179		** SCREW - (AN526-C832R8)	1	
	407 586		** WASHER - Door handle (AN960-516L)	1	
-50	96869-00		** ROD ASSEMBLY - Door latch	1	
-51	96868-00		** PIN - Door latch	1	
-52	404 224		** NUT - (AN315-3R)	1	
-53	63039-00		* HANDLE - Door, auxiliary, white	1	
-54	464 046		* HANDLE ASSEMBLY - Door (113-837-020)	1	
-55	76158-02		* ANGLE - Door trim, forward	1	
	76158-00		* ANGLE - Door trim, upper center	1	
	76159-00		* ANGLE - Door trim, lower center	1	
	76158-03		* ANGLE - Door trim, rear	1	
-56	459 441		* ESCUTCHEON - (113-837-239B)	1	
-57	581 489		* TRIM PLATE - Black (311-837-247)	1	
-58	419 594		* SCREW - (AN530-10R36)	2	
-59	99783-00		* ROD - Door latch	1	
-60	189 139		* MOULDING - Cabin door (bulb type)	13'	
-61	99997-00		* EXTRUSION - Vinyl	6'	
-62	99943-00		* RETAINER - Side panel	2	
-63	63012-00		* PLATE - Door latch trim	1	
-64	581 928		* BUTTON - Plug (207-200201-00-0103)	2	
-65	21176-00		* SPACER - Door lock	2	
-66	68555-05		* PLACARD - Door lock, white	1	
-67	587 221		* SPRING - (113-837-199)	1	
-68	62833-21		* WASHER - Neoprene	1	
-69	407 680		* WASHER - (AN960-C816)	1	
-70	96864-00		* CLAMP - Lower door latch	2	
-71	419 680		* SCREW - (PS10012-3)	2	
	494 001		* WASHER - (PS10016-4)	2	
-72	486 160		* SCREW - (N00-014-2161)	1	
	494 141		* WASHER - (N00-012-1131)	1	
-73	415 378		* SCREW - (MS51957-45)	1	
	407 677		* WASHER - (AN960-C516L)	1	
-74	419 681		* SCREW - (PS10012-4)	2	
	494 001		* WASHER - (PS10016-4)	2	
-75	419 929		* SCREW - (4 x 3/8 L., Type A)	2	
-76	419 933		* SCREW - (4 x 1/2 L., Type A)	2	
-77	424 204		* PIN - (MS20392-3C13)	2	
	407 585		* WASHER - (AN960-416L)	4	
	424 051		* COTTER PIN - (MS24665-132)	2	
-78	414 736		* SCREW - (MS24693-C28)	2	
-79	401 266		* BOLT - (AN3-5A)	1	
	407 564		* WASHER - (AN960-10)	1	
	404 887		* NUT - (MS20365-1032C)	1	
-80	752 301	B	LOCK ASSEMBLY - Cabin door	1	

When ordering, always specify Part Number, Description, and Serial Number of Aircraft

Reissued: September 15, 1994

1C14

Island Enterprises

**PIPER AIRCRAFT
PA-28-181
AIRPLANE PARTS CATALOG**

Figure and Index Number	Part Number	Code	Nomenclature	No. Req.	Serial Numbers Affected
13-81	65727-00		DOOR HOLDER ASSEMBLY	1	
-82	63020-02		BUSHING - Door holder	2	
-83	453 856		BUMPER - (SJ-5003) White	2	
-84	400 862		BOLT - (AN23-10A)	2	
-85	464 412		HANDLE - Assist, door (PS10091-1)	1	
-86	65530-00		PLACARD - Baggage compartment	1	
-87	62833-39		WASHER - Door holder (neoprene)	2	

When ordering, always specify Part Number, Description, and Serial Number of Aircraft

Reissued: September 15, 1994

1C15

Island Enterprises

**PIPER AIRCRAFT
PA-28-181
AIRPLANE PARTS CATALOG**

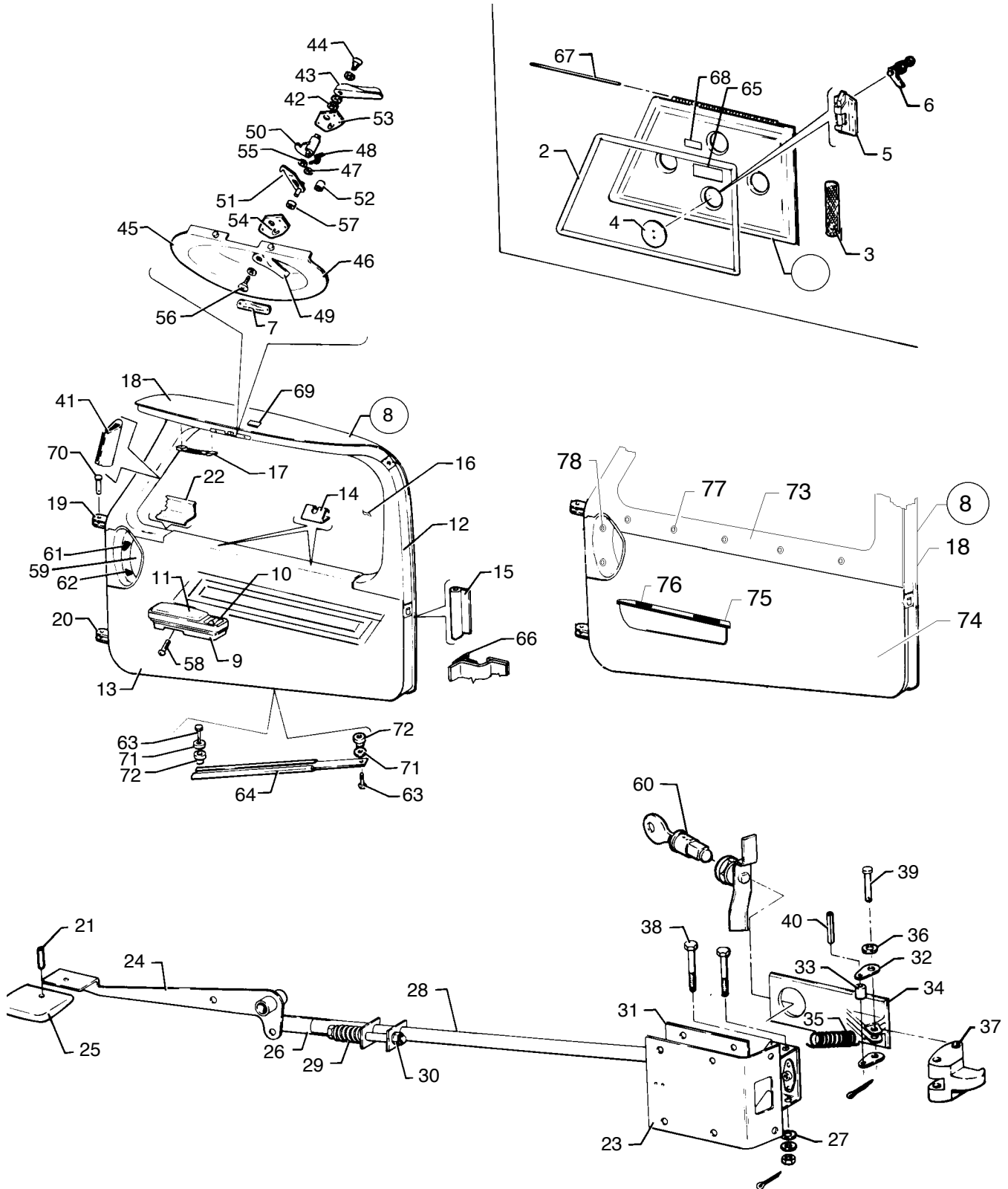


Figure 14. Fuselage Cabin and Baggage Door Installation
(Serial numbers 28-7690002 and up)

Reissued: September 15, 1994

1C16

Island Enterprises

**PIPER AIRCRAFT
PA-28-181
AIRPLANE PARTS CATALOG**

CODE EXPLANATIONS FOR FIGURE 14

- A - If matching cabin door lock, baggage door lock, and ignition switch are desired, order Kit 87329-03.
- B - Complete door assembly not available. Order component parts.
- C - When ordering, specify color and material.
- D - When ordering, specify color: red, blue/green, gold, black, green, or bark. Specify color "bark I" for serial numbers 28-7790001 to 28-7790366 inclusive. Specify color "bark II" or black for serial numbers 28-7790367 and up.
- E - Used with door latch hook assembly that has a 3/8 O. D. welded stud.
- F - Used with door latch hook assembly that has a 1/4 O. D. welded stud and 3/8 O. D. removable roller.
- G - Used if Luxurious Interior is not installed.
- H - Used on serial numbers 28-8190219 to 2890205 inclusive. Also used on serial numbers 28-8090001 to 28-8190218 inclusive, if Luxurious Interior is installed.
- J - Used on serial numbers 28-8190219 to 2890205 inclusive.. Also used on serial numbers 28-8190001 to 28-8190218 inclusive, if Luxurious Interior is installed.
- K - Used on serial numbers 28-8190219 to 28-8290188 inclusive. Also used on serial numbers 28-8190001 to 28-8190218 inclusive if Luxurious Interior is installed.
- L - Used on serial numbers 28-8190219 to 28-8290188 inclusive. Also used on serial numbers 28-8090001 to 28-8190218 inclusive if Luxurious Interior is installed.
- M - This item is part of 79545-15 Door Assembly.

Reissued: September 15, 1994

**PIPER AIRCRAFT
PA-28-181
AIRPLANE PARTS CATALOG**

Figure and Index Number	Part Number	Code	Nomenclature	No. Req.	Serial Numbers Affected
14-	79546 36722		DRAWING - Doors Installation DRAWING - Door Snubber Installation		28-8090288 and up
-1	66793-18		DOOR ASSEMBLY - Baggage compartment (bonded) (less lock assembly)	1	
-2	19063-02 189 139		* MOULDING - Baggage door (quarter-round type) * MOULDING - Baggage door (bulb type)	9' 9'	
-3	65440-801 65440-07		* STRAP ASSEMBLY - Baggage door (11" L.) * STRAP ASSEMBLY - Baggage door (11.75" L.)	1 1	
-4	12761-02 79452-00		* COVER ASSEMBLY - Lock access (4.75 dia.) * COVER - Lock access (5.75 dia.)	1 1	
-5	472 010		* LATCH - Push button (H38-.064-.460)	1	
-6	87329-08	A	LOCK ASSEMBLY - Baggage door	1	
-7	68555-05		PLACARD - Door lock	1	
-8	79545-02 79545-15	B B	DOOR ASSEMBLY - Complete (less lock assembly) DOOR ASSEMBLY - Complete (less lock assembly)	1 1	2890206 and up
-9	66710-17		* HOLDER ASSEMBLY - Armrest	1	
-10	763 003		** BOX ASSEMBLY - Ash tray (S-25-AR-C)	1	
-11	66710-44	C	* PAD - Armrest	1	28-7690002 to 2890205 incl.
-12	79542-04		* COVER - Cabin door, upper, white	1	
-13	579 616		* PANEL ASSEMBLY - Cabin door, trim, red	1	28-7690002 to 28-7690479 incl.
	579 617		* PANEL ASSEMBLY - Cabin door, trim, blue/green	1	28-7690002 to 28-7690479 incl.
	579 618		* PANEL ASSEMBLY - Cabin door, trim, gold	1	28-7690002 to 28-7690479 incl.
	579 619		* PANEL ASSEMBLY - Cabin door, trim, black	1	28-7690002 to 28-7690479 incl.
	579 620		* PANEL ASSEMBLY - Cabin door, trim, green	1	28-7690002 to 28-7690479 incl.
	580 708		* PANEL ASSEMBLY - Cabin door, trim, mushroom/black	1	28-7790001 to 28-7790607 incl.
	580 798	G	* PANEL ASSEMBLY - Cabin door, trim camel/black	1	28-7890001 to 28-8190218 incl.
	579 410	K	* PANEL ASSEMBLY - Cabin door, trim, white/camel/black	1	
	579 256	G	* PANEL ASSEMBLY - Cabin door, trim, firethorn red	1	28-8190001 to 28-8190218 incl.
	579 262	K	* PANEL ASSEMBLY - Cabin door, trim, firethorn red (vinyl)	1	
	579 338	J	* PANEL ASSEMBLY - Cabin door, trim, firethorn red (velour)	1	
	680 048		* PANEL ASSEMBLY - Cabin door, trim, red, (vinyl)	1	28-8390001 to 2890205 incl.
	579 339	L	* PANEL ASSEMBLY - Cabin door, trim, buckskin (velour)	1	
	680 050		* PANEL ASSEMBLY - Cabin door, trim, light buckskin (vinyl)	1	28-8390001 to 2890205 incl.
	579 257	G	* PANEL ASSEMBLY - Cabin door, trim, dark blue	1	28-8190001 to 28-8190218 incl.
	579 263	K	* PANEL ASSEMBLY - Cabin door, trim, dark blue (vinyl)	1	
	579 316	H	* PANEL ASSEMBLY - Cabin door, trim, dark blue (velour)	1	
	680 117		* PANEL ASSEMBLY - Cabin door, trim, light blue (velour)	1	28-8390001 to 2890205 incl.
	680 049		* PANEL ASSEMBLY - Cabin door, trim, blue (vinyl)	1	28-8390001 to 2890205 incl.
	579 261	J	* PANEL ASSEMBLY - Cabin door, trim, dark cedar (knit)	1	
	579 082		* PANEL ASSEMBLY - Cabin door, trim, dark cedar (velour)	1	28-8290001 to 2890205 incl.
	579 080		* PANEL ASSEMBLY - Cabin door trim, dark carmine (velour)	1	28-8290001 to 2890205 incl.
	579 081		* PANEL ASSEMBLY - Cabin door trim, sandalwood (fabric)	1	28-8290001 to 2890205 incl.
	680 047		* PANEL ASSEMBLY - Cabin door, trim, dark saddle (fabric)	1	28-8390001 to 2890205 incl.

When ordering, always specify Part Number, Description, and Serial Number of Aircraft

Reissued: September 15, 1994

1C18

Island Enterprises

**PIPER AIRCRAFT
PA-28-181
AIRPLANE PARTS CATALOG**

Figure and Index Number	Part Number	Code	Nomenclature	No. Req.	Serial Numbers Affected
14-14	99943-00		* RETAINER - Side panel	2	
-15	189 139		* MOULDING - Cabin door (bulb type)	13'	
-16	79475-20		* WINDOW - Cabin door (.080 thick), clear	1	
	79475-59		* WINDOW - Cabin door (.125 thick), clear	1	
	79475-58		* WINDOW - Cabin door (.080 thick), tinted	1	
	79475-60		* WINDOW - Cabin door (.125 thick), tinted	1	
-17	464 412		* HANDLE - Door assist (PS10091-1)	1	
-18	79475-16		* DOOR ASSEMBLY - Cabin (less window and lock assembly)	1	
	79475-95		* DOOR ASSEMBLY - Cabin (less window and lock assembly)	1	2890206 and up
-19	79475-07		** HINGE - Cabin door, upper	1	
-20	79475-08		** HINGE - Cabin door, lower	1	
-21	486 145		** SCREW - Set (P70FS420-4C) (1/4-20 x 1/4" L.)	1	
-22	79475-22		** RETAINER - Window	1	
	79475-103		** RETAINER - Window	1	2890206 and up
-23	79515-35		** COVER - Cabin door latch	1	
-24	79515-13		** HANDLE - Cabin, clear	1	
-25	79647-02		** KNOB - Door handle	1	
-26	79515-04		** LATCH ASSEMBLY - Door	1	
-27	407 582		*** WASHER - (AN960-6L)	2	
-28	79515-06		*** TUBE ASSEMBLY - Door latch	1	
-29	587 398		**** SPRING - Door latch tube (PS10087-2-1)	1	
-30	400 113		**** BOLT - (AN4-20)	1	
	407 565		**** WASHER - (AN960-416)	3	
	404 101		**** NUT - (AN310-4)	1	
	424 051		**** COTTER PIN - (MS24665-132)	1	
-31	79515-07		*** BOX ASSEMBLY - Door latch	1	
-32	79515-08		*** LINK - Door latch mechanism	2	
-33	79515-15		*** BUSHING - Door latch mechanism	1	
-34	79530-02		*** HANDLE - Door latch mechanism	1	
-35	587 381		*** SPRING - (EO240-037-17505)	1	
-36	62833-105		*** WASHER - Door latch mechanism	1	
-37	79532-02		*** LATCH - Cabin door	1	
-38	400 665		*** BOLT - (AN21-31)	2	
	407 562		*** WASHER - (AN960-6)	2	
	404 391		*** NUT - (AN320-1)	2	
	424 041		*** COTTER PIN - (MS24665-5)	2	
-39	424 178		*** PIN - (MS20392-2C19)	1	
	424 041		*** COTTER PIN - (MS24665-5)	1	
-40	480 800		*** PIN - Spring (MS9048-111)	1	
-41	99997-00		* EXTRUSION - Vinyl	7'	
-42	62833-21		* WASHER - Neoprene	1	
-43	63039-00		* HANDLE - Door, auxiliary latch	1	
-44	519 853		* SCREW - (MS24622-43)	1	
	62833-107		* WASHER - Teflon	1	
	407 680		* WASHER - (AN960C-816)	1	
-45	36598-02		* LATCH ASSEMBLY - Door, auxiliary	1	
-46	79475-34		** PAN - Door latch, white	1	
-47	62833-06		** WASHER	1	
-48	63045-00		** SPRING - Door latch	1	
-49	36590-02		** HANDLE - Door, auxiliary	1	
-50	63042-03		** CAM - Door latch	1	

When ordering, always specify Part Number, Description, and Serial Number of Aircraft

Reissued: September 15, 1994

PIPER AIRCRAFT PA-28-181 AIRPLANE PARTS CATALOG

Figure and Index Number	Part Number	Code	Nomenclature	No. Req.	Serial Numbers Affected
14-51	63036-03		** HOOK ASSEMBLY - Door latch (with 3/8 O. D. welded stud)	1	
	63036-04		** HOOK ASSEMBLY - Door latch (with 1/4 O. D. welded stud)	1	
-52	63900-50		** BUSHING	3	
-53	68179-00	E	** PLATE - Door latch	1	
	68179-07	F	** PLATE - Door latch	1	
-54	68179-02	E	** PLATE - Door latch	1	
	68179-08	F	** PLATE - Door latch	1	
-55	407 680		** WASHER - (AN960C816)	1	
-56	519 853		** SCREW - (MS24622-43)	1	
	407 586		** WASHER - (AN960-516L)	1	
	62833-107		** WASHER - Teflon	1	
-57	36572-03		** ROLLER - Door latch (3/8 O. D.)	1	
-58	419 594		* SCREW - (AN530-10R36)	2	
-59	79542-06	D	* PAN - Door latch	1	
-60	87329-07	A	LOCK ASSEMBLY - Cabin door	1	
-61	69669-117		PLACARD - Open	1	
-62	69669-118		PLACARD - Latch	1	
-63	400 862		BOLT - (AN23-10A)	2	
-64	65727-00		DOOR HOLDER ASSEMBLY	1	
-65	65530-00		PLACARD - Baggage compartment	1	28-7690002 to 28-7690479 incl.
	69669-171		PLACARD - Baggage compartment	1	28-7790001 and up
-66	36722-02		SEAL - Door snubber (150" long)	1	28-8090288 and up
-67	62400-02		PIN - Baggage door hinge	1	
-68	87341-05		PLACARD - Max. baggage	1	
-69	87334-02		PLACARD - Door release	1	
-70	424 204		PIN - (MS20392-3C13)	2	
	407 585		WASHER - (AN960-416L)	4	
	424 051		COTTER PIN - (MS24665-132)	2	
-71	62833-39		WASHER - Door holder (neoprene)	2	
-72	63020-02		BUSHING - Door holder	2	
-73	84277-13	M	PANEL ASSEMBLY - Cabin door, upper	1	2890206 and up
-74	84277-14	M	PANEL ASSEMBLY - Cabin door, lower	1	2890206 and up
-75	84277-25		* ARMREST ASSEMBLY	1	2890206 and up
-76	89548-14		* ASHTRAY ASSEMBLY	1	2890206 and up
-77	419 939	M	SCREW	5	2890206 and up
	581 928	M	PLUG	5	2890206 and up
-78	416 778	M	SCREW - (MS35191-270)	2	2890206 and up
	494 002	M	WASHER	2	2890206 and up

When ordering, always specify Part Number, Description, and Serial Number of Aircraft

Reissued: September 15, 1994

1C20

Island Enterprises

PIPER AIRCRAFT
PA-28-181
AIRPLANE PARTS CATALOG

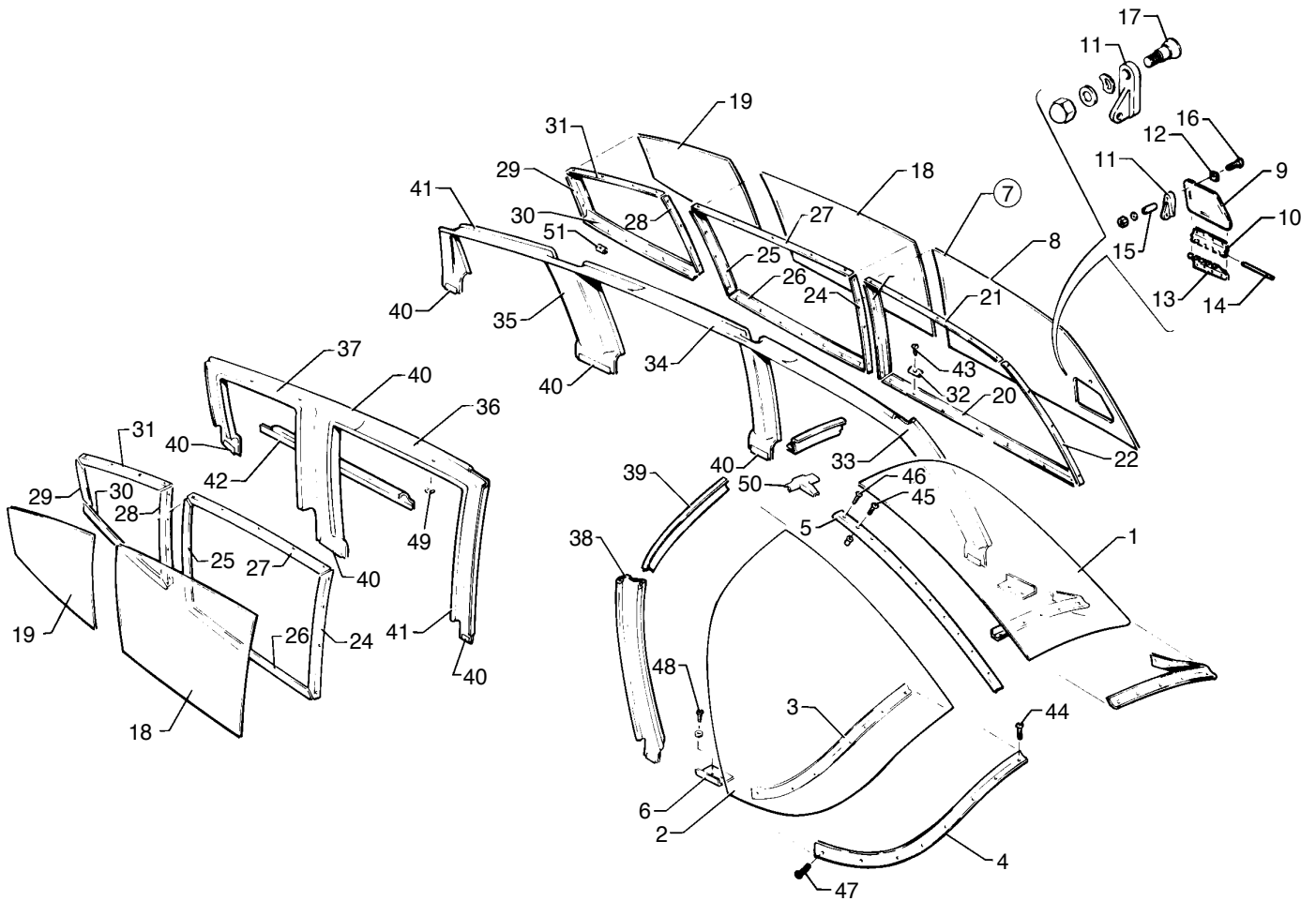


Figure 15. Fuselage Enclosure Installation

Reissued: September 15, 1994

1C21

Island Enterprises

**PIPER AIRCRAFT
PA-28-181
AIRPLANE PARTS CATALOG**

CODE EXPLANATIONS FOR FIGURE 15

- A - Used if gray tinted windshield and windows are installed.
- B - Used if latch assembly attachment screw requires a .191 hole drilled in window assembly.
- C - Used if latch assembly attachment screw is bonded to window assembly.
- D - Used if .250 thick sound reduction windshield is installed.

PIPER AIRCRAFT

PA-28-181

AIRPLANE PARTS CATALOG

Figure and Index Number	Part Number	Code	Nomenclature	No. Req.	Serial Numbers Affected
15-	63070		DRAWING - Windshield Installation		
	76361		DRAWING - Window Installation		
	79171		DRAWING - Window Frame Installation		
	84290		DRAWING - Windshield Installation		2890206 and up
	85435		DRAWING - Window Installation		2890206 and up
-1	63070-46		WINDSHIELD - Left (.125 thick)	1	
	79296-16		WINDSHIELD - Left (.250 thick)	1	
	63070-42	A	WINDSHIELD - Left (.125 thick)	1	
	79296-18	A	WINDSHIELD - Left (.250 thick)	1	
	84290-12		WINDSHIELD - Left (.250 thick)	1	2890206 and up
-2	63070-45		WINDSHIELD - Right (.125 thick)	1	
	79296-17		WINDSHIELD - Right (.250 thick)	1	
	63070-41	A	WINDSHIELD - Right (.125 thick)	1	
	79296-19	A	WINDSHIELD - Right (.250 thick)	1	
	84290-13		WINDSHIELD - Right (.250 thick)	1	2890206 and up
-3	63070-43		COLLAR - Inside, left	1	
	63070-44		COLLAR - Inside, right	1	
-4	63070-11		COLLAR - Outside, left	1	
	84290-06		COLLAR - Outside, left	1	2890206 and up
	63070-05		COLLAR - Outside, right	1	
	84290-07		COLLAR - Outside, right	1	2890206 and up
-5	63070-07		TRIM STRIP - Windshield, center	1	28-7690001
	79557-00		TRIM STRIP - Windshield, center	1	29-7690002 to 2890205 incl.
	79557-02		TRIM STRIP - Windshield, center	1	2890206 and up
-6	79154-00		RETAINER - Windshield moulding, left	1	
	79155-00		RETAINER - Windshield moulding, right	1	
-7	65826-05		WINDOW ASSEMBLY - Front, left	1	
	65826-06	A	WINDOW ASSEMBLY - Front, left	1	
	65826-07		WINDOW ASSEMBLY - Front, left	1	2890206 and up
-8	65798-03		* WINDOW - Front, left	1	
	65798-04	A	* WINDOW - Front, left	1	
	65798-05		* WINDOW - Front, left	1	2890206 and up
-9	65896-00		* WINDOW ASSEMBLY - Storm	1	
	65896-02	A	* WINDOW ASSEMBLY - Storm	1	
-10	65895-00		** HINGE - Half	1	
-11	65742-00		* LATCH ASSEMBLY - Storm window	1	
-12	65741-00	B	* SPACER - Storm window latch	1	
-13	65782-00		* HINGE - Half	1	
-14	63744-09		* PIN - Hinge	1	
-15	65003-10	B	* BUSHING - Storm window latch	1	
-16	415 151	B	* SCREW - (AN526-632R12)	1	
	408 826	B	* WASHER - Shakeproof (3502-10-71)	1	
	407 102	B	* WASHER - Lock (AN935-6)	1	
	477 696	B	* NUT - Dome (8061-NP)	1	
-17	79572-00	C	* SCREW - Storm window attachment	1	
	408 826	C	* WASHER - Shakeproof (3502-10-71)	1	
	407 041	C	*.WASHER - (MS35338-41)	1	
	477 696	C	* NUT - Dome (8061-NP)	1	
-18	76275-00		WINDOW - Center, left (.080 thick)	1	
	76275-03		WINDOW - Center, left (.125 thick)	1	
	76275-02	A	WINDOW - Center, left (.080 thick)	1	
	76275-04	A	WINDOW - Center, left (.125 thick)	1	
	85192-02		WINDOW - Center, left (.125 thick)	1	2890206 and up
	76276-00		WINDOW - Center, right (.080 thick)	1	
	76276-03		WINDOW - Center, right (.125 thick)	1	
	76276-02	A	WINDOW - Center, right (.080 thick)	1	

When ordering, always specify Part Number, Description, and Serial Number of Aircraft

Reissued: September 15, 1994

**PIPER AIRCRAFT
PA-28-181
AIRPLANE PARTS CATALOG**

Figure and Index Number	Part Number	Code	Nomenclature	No. Req.	Serial Numbers Affected
15-18	76276-04	A	WINDOW - Center, right (.125 thick)	1	
	85192-03		WINDOW - Center, right (.125 thick)	1	2890206 and up
-19	76277-00		WINDOW - Rear, left (.080 thick)	1	
	76277-03		WINDOW - Rear, left (.125 thick)	1	
	76277-02	A	WINDOW - Rear, left (.080 thick)	1	
	76277-04	A	WINDOW - Rear, left (.125 thick)	1	
	85192-04		WINDOW - Rear, left (.125 thick)	1	2890206 and up
	76278-00		WINDOW - Rear, right (.080 thick)	1	
	76278-03		WINDOW - Rear, right (.125 thick)	1	
	76278-02	A	WINDOW - Rear, right (.080 thick)	1	
	76278-04	A	WINDOW - Rear, right (.125 thick)	1	
	85192-05		WINDOW - Rear, right (.125 thick)	1	2890206 and up
-20	76197-00		RETAINER - Front window, bottom, left	1	
	85436-04		RETAINER - Front window, bottom, left	1	2890206 and up
-21	76143-00		RETAINER - Front window, top, left	1	
-22	63071-02		RETAINER - Front window, front, left	1	28-7690001
	79562-00		RETAINER - Front window, front, left	1	28-7690002 to 2890205 incl.
	79562-03		RETAINER - Front window, front, left	1	2890206 and up
-23	63071-12		RETAINER - Front window, rear, left	1	
	76264-00		RETAINER - Front window, rear, left	1	2890206 and up
-24	76264-00		RETAINER - Center window, front, left	1	
	63071-18		RETAINER - Center window, front, right	1	
	76264-00		RETAINER - Center window, front, left and right	2	2890206 and up
-25	76267-00		RETAINER - Center window, rear, left	1	
	76267-01		RETAINER - Center window, rear, right	1	
-26	76268-00		RETAINER - Center window, bottom, left	1	
	76269-00		RETAINER - Center window, bottom, right	1	
	85436-02		RETAINER - Center window, bottom, left and right	2	2890206 and up
-27	76265-00		RETAINER - Center window, top, left	1	
	76266-00		RETAINER - Center window, top, right	1	
-28	76270-00		RETAINER - Rear window, front, left	1	
	76270-01		RETAINER - Rear window, front, right	1	
-29	76272-00		RETAINER - Rear window, rear, left	1	
	76272-02		RETAINER - Rear window, rear, left	1	2890206 and up
	76272-01		RETAINER - Rear window, rear, right	1	
	76272-03		RETAINER - Rear window, rear, right	1	2890206 and up
-30	76273-00		RETAINER - Rear window, bottom, left	1	
	85436-08		RETAINER - Rear window, bottom, left	1	2890206 and up
	76274-00		RETAINER - Rear window, bottom, right	1	
	85436-05		RETAINER - Rear window, bottom, right	1	2890206 and up
-31	76271-00		RETAINER - Rear window, top, left and right	2	
	85436-07		RETAINER - Rear window, top, left and right	2	2890206 and up
-32	99943-00		RETAINER - Side panel	9	
-33	79171-12		COVER - Window frame, front, left	1	28-7690001
	79171-14		COVER - Window frame, front, left	1	28-7690002 and up
-34	79171-11		COVER - Window frame, center, left	1	
-35	79171-10		COVER - Window frame, rear, left	1	
-36	79171-08		COVER - Window frame, center, right	1	
-37	79171-09		COVER - Window frame, rear, right	1	
-38	79171-02		COVER - Windshield bow, lower, right	1	28-7690001
	79171-13		COVER - Windshield bow, lower, right	1	28-7690002 and up
-39	63149-16		COVER - Windshield bow, upper, left	1	28-7690001
	63149-20		COVER - Windshield bow, upper, left	1	28-7690002 and up
	63149-17		COVER - Windshield bow, upper, right	1	28-7690001
	63149-21		COVER - Windshield bow, upper, right	1	28-7690002 and up
-40	78057-00		RETAINER - Window frame, extrusion	12'	
-41	99997-00		EXTRUSION - Vinyl	30'	

When ordering, always specify Part Number, Description, and Serial Number of Aircraft

Reissued: September 15, 1994

1C24

Island Enterprises

**PIPER AIRCRAFT
PA-28-181
AIRPLANE PARTS CATALOG**

Figure and Index Number	Part Number	Code	Nomenclature	No. Req.	Serial Numbers Affected
15-42	555 699		COVER ASSEMBLY - Window sill, red	1	28-7690001 to 28-7690479 incl.
	555 700		COVER ASSEMBLY - Window sill, blue/green	1	28-7690001 to 28-7690479 incl.
	555 701		COVER ASSEMBLY - Window sill, gold	1	28-7690001 to 28-7690479 incl.
	555 702		COVER ASSEMBLY - Window sill, black	1	28-7690001 to 28-7690479 incl.
	555 703		COVER ASSEMBLY - Window sill, white	1	28-7690001 to 28-7690479 incl.
	555 704		COVER ASSEMBLY - Window sill, green	1	28-7690001 to 28-7690479 incl.
	555 985		COVER ASSEMBLY - Window sill, mushroom	1	28-7790001 to 28-7790607 incl.
	556 315		COVER ASSEMBLY - Window sill, white	1	28-8190001 to 28-8290188 incl.
	556 119		COVER ASSEMBLY - Window sill, camel	1	28-7790001 to 28-8290188 incl.
	556 940		COVER ASSEMBLY - Window sill, firethorn red (vinyl)	1	28-8190001 to 28-8290188 incl.
	556 693		COVER ASSEMBLY - Window sill, firethorn red (velour)	1	28-8090001 and up
	559 794		COVER ASSEMBLY - Window sill, firethorn red (leather)	1	28-8390001 and up
	557 199		COVER ASSEMBLY - Window sill, red (vinyl)	1	28-8390001 and up
	556 694		COVER ASSEMBLY - Window sill, buckskin	1	28-8090001 to 28-8290188 incl.
	557 201		COVER ASSEMBLY - Window sill, light buckskin (vinyl)	1	28-8390001 and up
	559 806		COVER ASSEMBLY - Window sill, light buckskin (leather)	1	28-8390001 and up
	556 941		COVER ASSEMBLY - Window sill, dark blue (vinyl)	1	28-8190001 to 28-8290188 incl.
	556 713		COVER ASSEMBLY - Window sill, dark blue (velour)	1	28-8090001 and up
	559 759		COVER ASSEMBLY - Window sill, dark blue (leather)	1	28-8390001 and up
	557 200		COVER ASSEMBLY - Window sill, blue (vinyl)	1	28-8390001 and up
	556 939		COVER ASSEMBLY - Window sill, dark cedar (knit)	1	28-8190001 and up
	557 059		COVER ASSEMBLY - Window sill, dark cedar (velour)	1	28-8290001 to 28-8290188 incl.
	559 783		COVER ASSEMBLY - Window sill, dark cedar (leather)	1	28-8390001 and up
	557 057		COVER ASSEMBLY - Window sill, dark carmine (velour)	1	28-8290001 to 28-8290188 incl.
	557 058		COVER ASSEMBLY - Window sill, sandalwood	1	28-8290001 and up
	557 198		COVER ASSEMBLY - Window sill, dark saddle (knit)	1	28-8390001 and up
	559 771		COVER ASSEMBLY - Window sill, dark saddle (leather)	1	28-8390001 and up
-43	419 641		SCREW - (4 x 1/2" L.) Type A Truss	86	
	419 584		SCREW - (AN530-4R4)	99	2890206 and up
-44	415 149		SCREW - (AN526-632R8)	24	
	486 286		SCREW - (NAS601-8P)	36	2890206 and up
	406 823		NUT - Anchor (NAS686A06K)	24	
-45	415 450		SCREW - (AN526-832R10)	8	
	415 452	D	SCREW - (AN526-832R12)	8	
	415 544		SCREW - (MS35206-244)	7	2890206 and up
	406 863		RIVNUT - (A8K-75)	8	
-46	415 447		SCREW - (AN526-832R7)	1	
	415 449	D	SCREW - (AN526-832R8)	1	
-47	415 149		SCREW - (AN526-632R8)	2	
-48	419 746		SCREW - (4 X 1/2" L.) Type ``A''	4	
	494 001		WASHER - (4 Finishing)	4	
-49	581 928		PLUG - (207-200201-00-0103)	11	
-50	67556-02		TRIM - Windshield, white	1	28-7690001
	67556-04		TRIM - Windshield, white	1	28-7690002 and up
-51	78086-00		RETAINER - Side panel	2	

When ordering, always specify Part Number, Description, and Serial Number of Aircraft

Reissued: September 15, 1994

**PIPER AIRCRAFT
PA-28-181
AIRPLANE PARTS CATALOG**

THIS PAGE INTENTIONALLY LEFT BLANK

PIPER AIRCRAFT
PA-28-181
AIRPLANE PARTS CATALOG

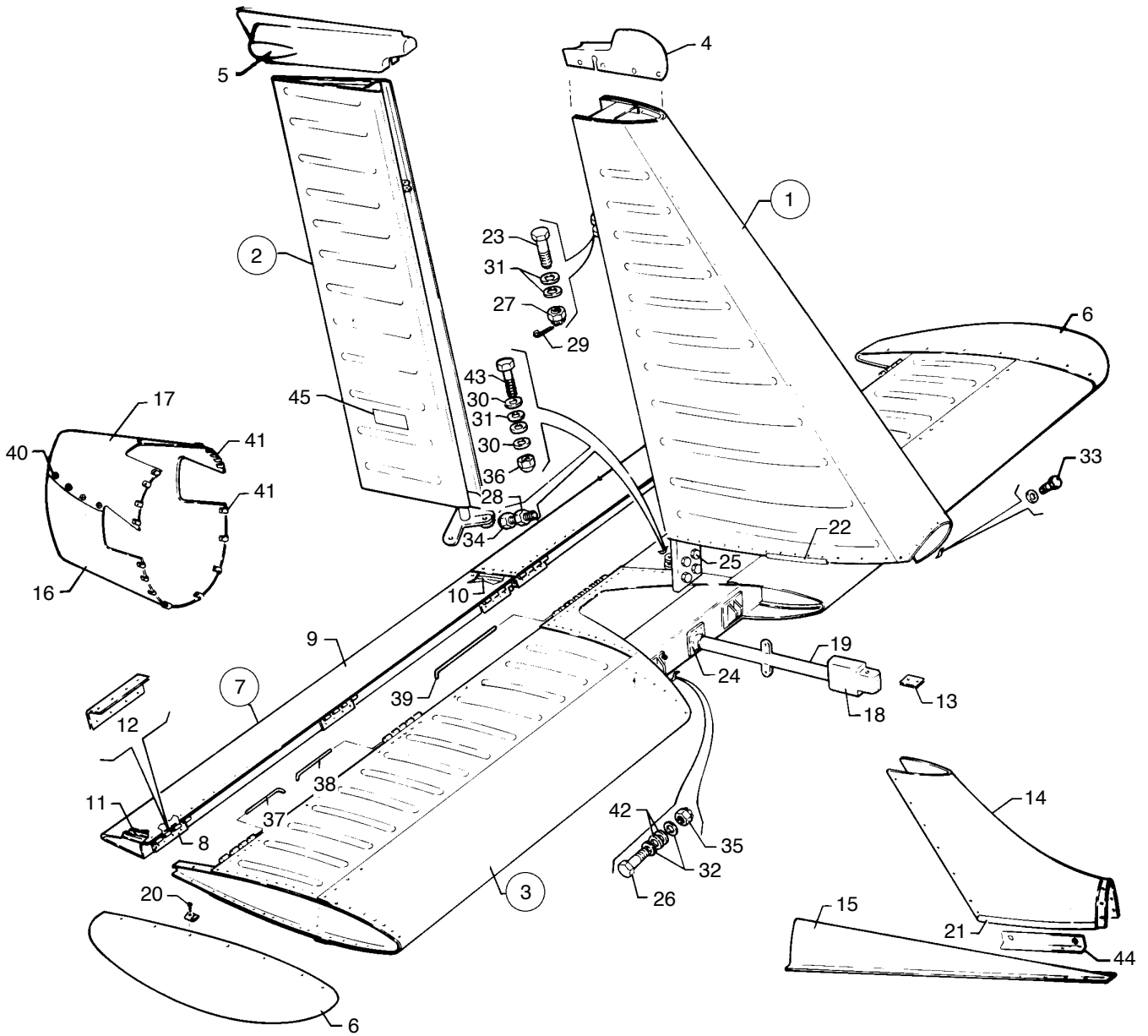


Figure 16. Tail Surfaces Installation

Reissued: September 15, 1994

**PIPER AIRCRAFT
PA-28-181
AIRPLANE PARTS CATALOG**

CODE EXPLANATIONS FOR FIGURE 16

- A - See Figure 18 for component parts.
- B - See Figure 19 for component parts.
- C - See Figure 17 for component parts.
- D - Used if rotating beacon is installed.
- E - Used if rotating beacon is not installed.

**PIPER AIRCRAFT
PA-28-181
AIRPLANE PARTS CATALOG**

Figure and Index Number	Part Number	Code	Nomenclature	No. Req.	Serial Numbers Affected
16-	62002		DRAWING - Tail Surfaces Installation		
-1	66975-03	A	FIN ASSEMBLY	1	28-7690001 to 28-7990626 incl. 28-8090001 and up
	66975-04	A	FIN ASSEMBLY	1	
-2	65342-02	B	RUDDER ASSEMBLY	1	
-3	68426-00	C	STABILATOR ASSEMBLY	1	
-4	65345-03	D	TIP - Fin	1	
	38222-00	E	TIP - Fin	1	
-5	99868-00		TIP ASSEMBLY - Rudder (with provisions for tail light)	1	
	36706-02		TIP ASSEMBLY - Rudder (without provisions for tail light)	1	
-6	63584-10		TIP - Stabilator	2	
-7	63585-00		TAB - Stabilator trim, left	1	
	63585-01		TAB - Stabilator trim, right	1	
-8	63560-02		* HINGE - Half, stabilator tab	3	
-9	63586-00		* SKIN - Stabilator trim tab, L. H.	1	
	63586-01		* SKIN - Stabilator trim tab, R. H.	1	
-10	63587-00		* RIB - Inboard	1	
-11	63587-01		* RIB - Outboard	1	
-12	63588-00		* DOUBLER	3	
-13	96564-00		PLATE - Stabilator balance	AR	
-14	99619-02		FAIRING - Fin, aft	1	
-15	99621-00		FAIRING - Fin, forward	1	
-16	66822-07		FAIRING - Lower	1	
-17	66822-08		FAIRING - Upper	1	
-18	99803-03		BALANCE WEIGHT ASSEMBLY - Stabilator	1	
-19	69624-02		* TUBE ASSEMBLY - Stabilator	1	
-20	510 058		SCREW - (NAS514P832-8)	28	
	477 672		NUT - (PS10062-5-1)	28	
	494 101		WASHER - (PS10092-1-2C)	28	
-21	63186-21		MOULDING - Extruded	2	
-22	63186-02		MOULDING - Extruded	2	
-23	400 056		BOLT - (AN3-11)	1	
-24	400 450		BOLT - (AN3-17A)	2	
-25	400 003		BOLT - (AN4-6A)	4	
	407 565		WASHER - (AN960-416)	8	
	404 888		NUT - (MS20365-428C)	4	
-26	402 680		BOLT - (NAS1104-17)	2	
-27	404 100		NUT - Castle (AN310-3)	1	
-28	404 224		NUT - (AN315-3R)	2	
-29	424 051		COTTER PIN - (AN380-2-2)	1	
-30	407 564		WASHER - (AN960-10)	2	
-31	407 584		WASHER - (AN960-10L)	6	
-32	407 565		WASHER - (AN960-416)	4	
-33	400 003		BOLT - (AN4-6A)	1	
	407 565		WASHER - (AN960-416)	2	
-34	553 266		BOLT - (NKN428-3-7)	2	
-35	406 637		NUT - (H-10-4)	2	
-36	404 887		NUT - (MS20365-1032)	1	
-37	62002-02		PIN - Hinge	2	
-38	62002-03		PIN - Hinge	2	
-39	62002-04		PIN - Hinge	1	
-40	414 783		SCREW - (MS24693-C51)	10	
	494 101		WASHER - (PS10092-1-2C)	10	
	477 640		NUT - (PS10062-5-3)	10	

When ordering, always specify Part Number, Description, and Serial Number of Aircraft

Reissued: September 15, 1994

**PIPER AIRCRAFT
PA-28-181
AIRPLANE PARTS CATALOG**

Figure and Index Number	Part Number	Code	Nomenclature	No. Req.	Serial Numbers Affected
16-41	415 179		SCREW - (AN526C-832R8)	16	
	477 640		NUT - (PS10062-5-3)	16	
-42	407 585		WASHER - (AN960-416L)	AR	
-43	401 269		BOLT - (AN3-10A)	1	
-44	79277-00		ANGLE - Dorsal fin fitting, left	1	
	79277-01		ANGLE - Dorsal fin fitting, right	1	
-45	87341-02		PLACARD - Do Not Push	2	

When ordering, always specify Part Number, Description, and Serial Number of Aircraft

Reissued: September 15, 1994

1D6

Island Enterprises

PIPER AIRCRAFT
PA-28-181
AIRPLANE PARTS CATALOG

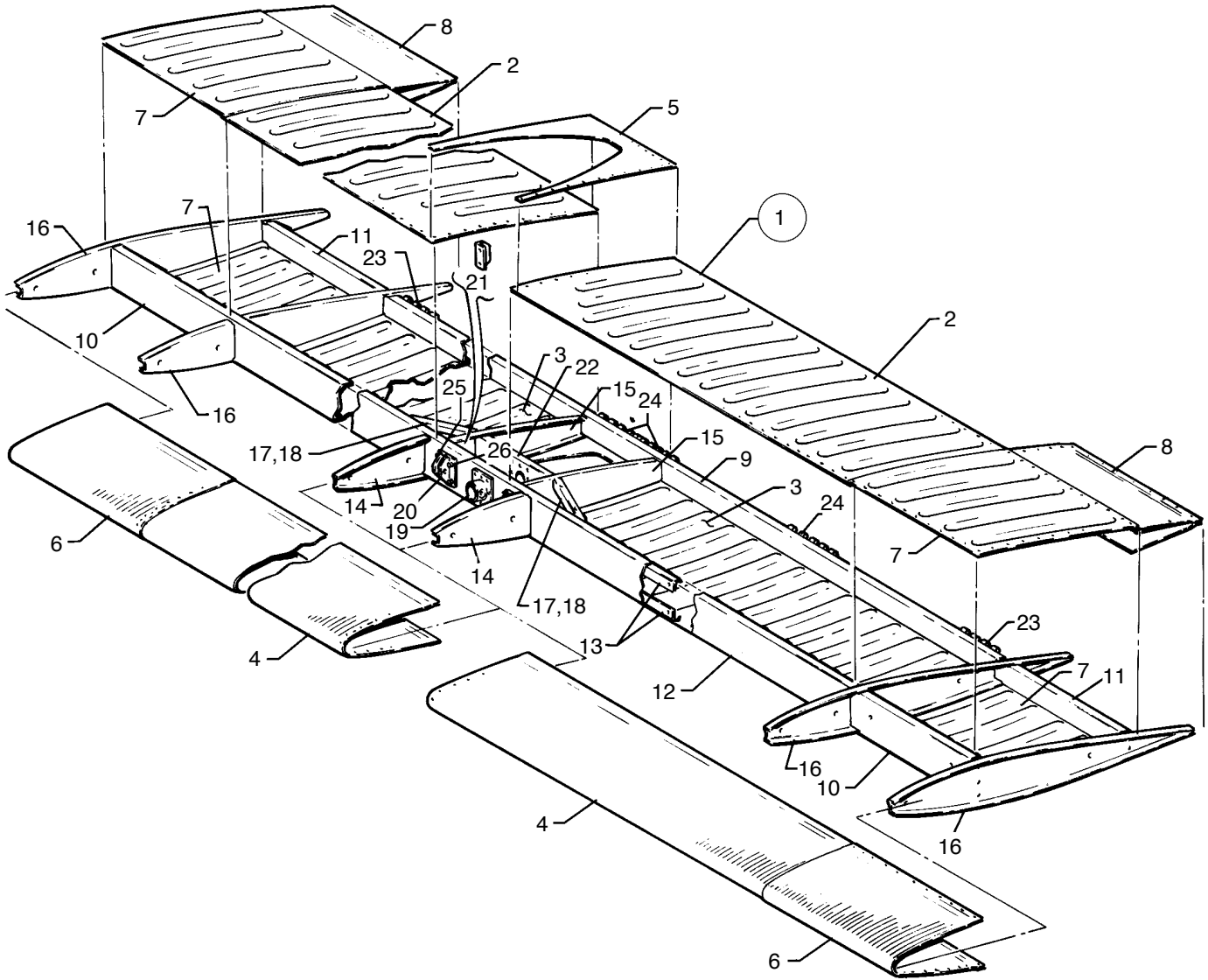


Figure 17. Stabilator Assembly

Reissued: September 15, 1994

**PIPER AIRCRAFT
PA-28-181
AIRPLANE PARTS CATALOG**

CODE EXPLANATIONS FOR FIGURE 17

Reissued: September 15, 1994

1D8

Island Enterprises

**PIPER AIRCRAFT
PA-28-181
AIRPLANE PARTS CATALOG**

Figure and Index Number	Part Number	Code	Nomenclature	No. Req.	Serial Numbers Affected
17-1	68426-00		STABILATOR ASSEMBLY	1	
-2	63392-00		* SKIN - Stabilator, aft top, left	1	
	63392-01		* SKIN - Stabilator, aft top, right	1	
-3	63393-00		* SKIN - Stabilator, aft bottom, left	1	
	63393-01		* SKIN - Stabilator, aft bottom, right	1	
-4	63573-00		* SKIN - Stabilator, leading edge, left	1	
	63573-01		* SKIN - Stabilator, leading edge, right	1	
-5	63575-00		* SKIN - Stabilator, center, top	1	
	63575-02		* SKIN - Stabilator, center, bottom	1	
-6	68429-00		* SKIN - Stabilator, leading edge, left	1	
	68429-01		* SKIN - Stabilator, leading edge, right	1	
-7	68430-00		* SKIN - Stabilator, top and bottom left	1	
	68430-01		* SKIN - Stabilator, top and bottom right	1	
-8	68431-00		* SKIN - Stabilator, top, left, bottom, right	2	
	68431-01		* SKIN - Stabilator, top, right, bottom, left	2	
-9	63572-00		* SPAR - Stabilator, rear	1	
-10	68427-00		* SPAR - Stabilator, outboard, forward	2	
-11	68428-00		* SPAR - Stabilator, outboard, aft	2	
-12	63561-05		* SPAR - Stabilator, main	1	
-13	63562-00		* CAP - Stabilator, spar	2	
-14	63569-00		* RIB - Stabilator, nose	2	
-15	63570-00		* RIB - Stabilator, aft	2	
-16	63571-00		* RIB - Stabilator, top	4	
-17	63566-03		* STIFFENER - Stabilator, top, left	1	
	63566-02		* STIFFENER - Stabilator, top, right	1	
-18	63566-02		* STIFFENER - Stabilator, bottom, left	1	
	63566-03		* STIFFENER - Stabilator, bottom, right	1	
-19	63567-00		* FITTING - Balance weight attachment	1	
-20	63563-00		* FITTING - Stabilator hinge	2	
-21	63564-00		* ANGLE - Stabilator	2	
-22	63565-02		* CLOSURE	1	
-23	63560-02		* HINGE - Extruded, outboard	2	
-24	63560-03		* HINGE - Extruded, inboard and center	4	
-25	400 003		* BOLT - (AN4-6A)	4	
	407 565		* WASHER - (AN960-416)	8	
	404 888		* NUT - (MS20365-428)	4	
-26	400 004		* BOLT - (AN4-7A)	4	
	407 565		* WASHER - (AN960-416)	8	
	404 888		* NUT - (MS20365-428)	4	

When ordering, always specify Part Number, Description, and Serial Number of Aircraft

Reissued: September 15, 1994

PIPER AIRCRAFT
PA-28-181
AIRPLANE PARTS CATALOG

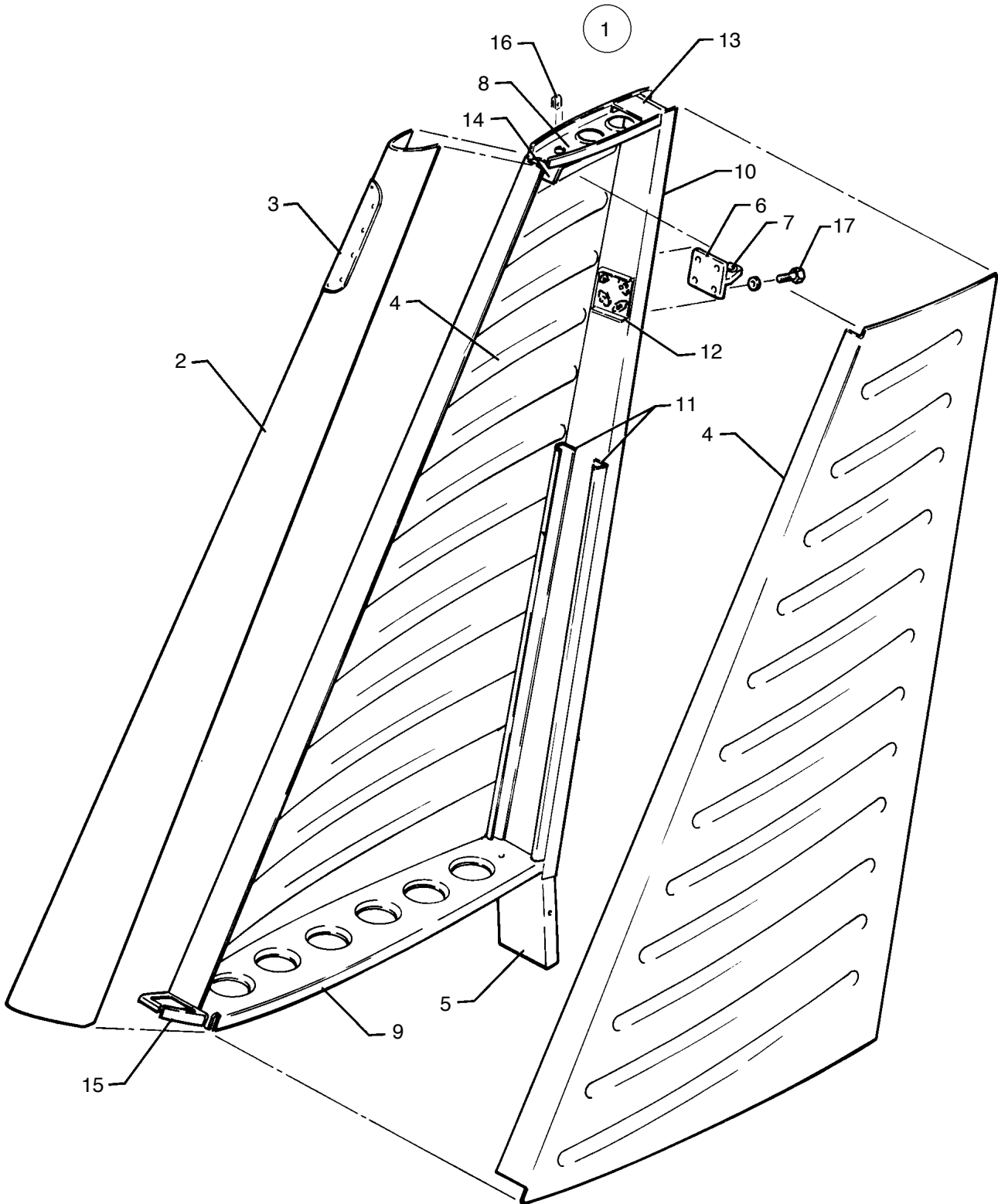


Figure 18. Fin Assembly

Reissued: September 15, 1994

1D10

Island Enterprises

**PIPER AIRCRAFT
PA-28-181
AIRPLANE PARTS CATALOG**

CODE EXPLANATIONS FOR FIGURE 18

Reissued: September 15, 1994

1D11

Island Enterprises

**PIPER AIRCRAFT
PA-28-181
AIRPLANE PARTS CATALOG**

Figure and Index Number	Part Number	Code	Nomenclature	No. Req.	Serial Numbers Affected
18-1	66975-03		FIN ASSEMBLY	1	28-7690001 to 28-7990626 incl.
	66975-04		FIN ASSEMBLY	1	28-8090001 and up
-2	66964-00		* SKIN ASSEMBLY - Fin nose	1	28-7690001 to 28-7990626 incl.
	63513-00		* SKIN ASSEMBLY - Fin nose	1	28-8090001 and up
-3	66964-02		** COVER - Air vent	1	28-7690001 to 28-7990626 incl.
-4	63398-00		* SKIN - Fin, left	1	
	63398-01		* SKIN - Fin, right	1	
-5	63501-03		* FITTING - Fin root	1	
-6	63502-00		* HINGE ASSEMBLY - Fin	1	
-7	452 387		** BEARING - (KP3A)	1	
-8	66972-00		* RIB ASSEMBLY - Fin top	1	
-9	63506-00		* RIB ASSEMBLY - Fin bottom	1	
-10	63504-00		* SPAR - Fin rear	1	
-11	65034-00		* STIFFENER - Fin spar, left	1	
	65034-01		* STIFFENER - Fin spar, right	1	
-12	63509-00		* DOUBLER ASSEMBLY - Fin	1	
-13	63515-00		* BRACKET - Fin antenna	1	
-14	63510-00		* CLIP - Fin	1	
-15	79268-00		* RIB - Fin nose	1	
-16	477 672		* NUT - (MU-832-38-0.025 x 0.050-L-F-10)	8	
-17	401 266		* BOLT - (AN3-5A)	4	
	407 584		* WASHER - (AN960-10L)	4	

When ordering, always specify Part Number, Description, and Serial Number of Aircraft

Reissued: September 15, 1994

1D12

Island Enterprises

PIPER AIRCRAFT
PA-28-181
AIRPLANE PARTS CATALOG

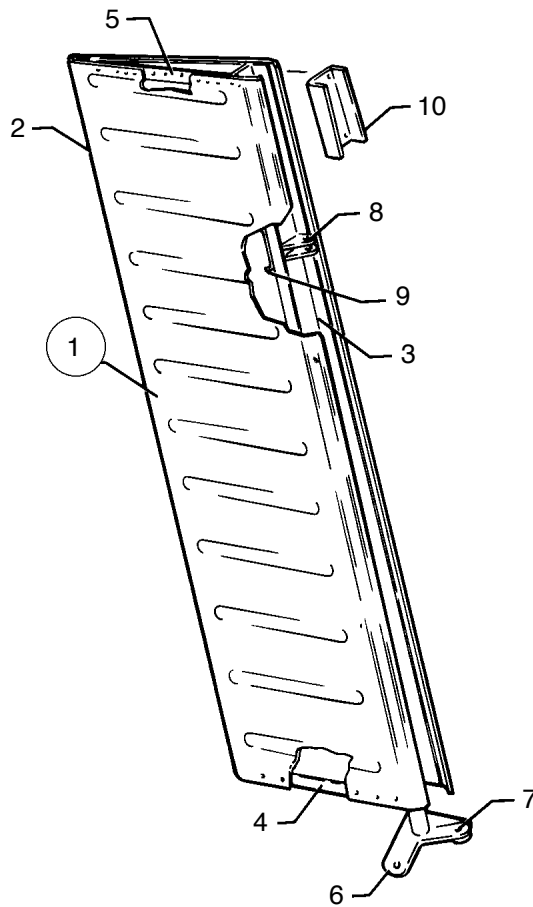


Figure 19. Rudder Assembly

Reissued: September 15, 1994

1D13

Island Enterprises

**PIPER AIRCRAFT
PA-28-181
AIRPLANE PARTS CATALOG**

CODE EXPLANATIONS FOR FIGURE 19

Reissued: September 15, 1994

1D14

Island Enterprises

**PIPER AIRCRAFT
PA-28-181
AIRPLANE PARTS CATALOG**

Figure and Index Number	Part Number	Code	Nomenclature	No. Req.	Serial Numbers Affected
19-1	65342-02		RUDDER ASSEMBLY	1	
-2	63396-02		* SKIN - Rudder	1	
-3	63543-00		* SPAR - Rudder	1	
-4	63544-00		* RIB - Rudder root, bottom	1	
-5	63545-00		* RIB - Rudder tip, top	1	
-6	63546-00		* HORN ASSEMBLY - Rudder	1	
-7	452 387		** BEARING - (KP3A)	1	
-8	63550-00		* FITTING - Rudder hinge	1	
-9	63395-00		* DOUBLER ASSEMBLY - Rudder hinge	1	
-10	65341-00		* DOUBLER - Rudder, top	1	

When ordering, always specify Part Number, Description, and Serial Number of Aircraft

Reissued: September 15, 1994

1D15

Island Enterprises

**PIPER AIRCRAFT
PA-28-181
AIRPLANE PARTS CATALOG**

THIS PAGE INTENTIONALLY LEFT BLANK

PIPER AIRCRAFT
PA-28-181
AIRPLANE PARTS CATALOG

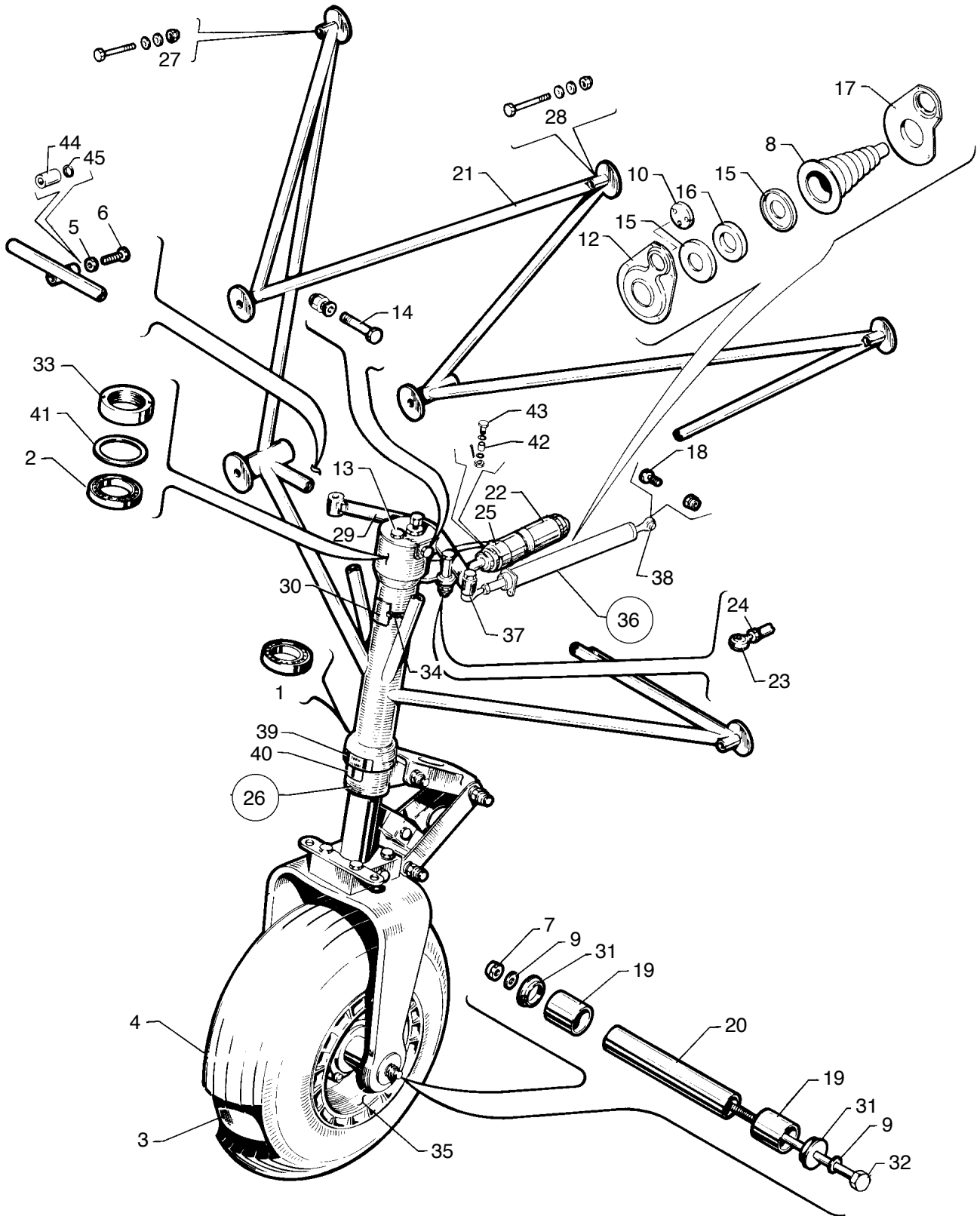


Figure 20. Nose Gear Installation

Reissued: September 15, 1994

1D17

Island Enterprises

**PIPER AIRCRAFT
PA-28-181
AIRPLANE PARTS CATALOG**

CODE EXPLANATIONS FOR FIGURE 20

- A - Used with Cleveland Model 40-76F and McCauley Models D-30625 and D-30665 wheel assemblies only.
- B - Used when placard is attached with a strap.
- C - See Figure 21 for component parts.
- D - See Figure 22 for component parts.
- E - See Figure 23 for component parts.
- F - Used if shock absorber is stamped with Monroe part number 18756.
- G - Used on serial numbers 28-7690001 to 28-8390083 inclusive, 28-8390085 to 28-8490011 inclusive, 28-8490013 to 28-8490018 inclusive, and 28-8490020 to 28-8490076 inclusive.
- H - Used on serial numbers 28-8390084, 28-8490012, 28-8490019, 28-8490077 and up.
- J - Used on serial numbers 28-8490077 and up, and serial numbers 2890001 and up, if longer bolt is required.
- K - Used when spacer is welded to mount assembly.

PIPER AIRCRAFT

PA-28-181

AIRPLANE PARTS CATALOG

Figure and Index Number	Part Number	Code	Nomenclature	No. Req.	Serial Numbers Affected
20-	79108		DRAWING - Nose Landing Gear Installation		
-1	452 332		BEARING - Main (KP33B)	1	
-2	452 419		BEARING - Main (15266-00)	1	
-3	451 735		TUBE - Tire, 6.00 x 6	1	
-4	761 970		TIRE - (6.00 x 6, 4 ply) B. F. Goodrich	1	
	761 994		TIRE - (6.00 x 6, 4 ply) McCreary Airhawk	1	
-5	405 580		NUT - (1/4-20)	2	
-6	85061-00		CAP SCREW	2	
	85061-02	J	CAP SCREW	2	
-7	404 838		NUT - (MS20364-624C)	1	
-8	35270-00		BOOT - Nose wheel bungee	2	
-9	407 567		WASHER - (AN960-616)	2	
-10	63915-17		DISC - Firewall seal	2	
-11	blank				
-12	35284-03		HOUSING - Bungee seal, left	1	
	35433-00		HOUSING - Bungee seal, right	1	
-13	401 918		BOLT - (AN74A-3)	1	
-14	402 324		BOLT - (AN174-25A)	1	
	407 585		WASHER - (AN960-416L)	1	
	404 836		NUT - (MS20364-428C)	1	
-15	35283-00		HOUSING - Bungee seal	4	
-16	35282-04		RING - Bungee seal	2	
-17	35281-00		PLATE - Bungee seal, left	1	
	35432-00		PLATE - Bungee seal, right	1	
-18	400 440		BOLT - (AN3-6A)	2	
	404 887		NUT - (MS20365-1032C)	2	
-19	66618-02	A	TUBE - Spacer, nose wheel (on axle tube)	2	
-20	86062-56		TUBE - Axle, nose wheel	1	
-21	66662-14		MOUNT ASSEMBLY - Engine and nose gear strut	1	
	66662-15		MOUNT ASSEMBLY - Engine and nose gear strut	1	2890206 and up
-22	456 015		DAMPENER ASSEMBLY - Shimmy	1	
-23	452 334		BEARING - Rod end (PS10020-1-6RX)	1	
-24	404 225		NUT - (AN315-4R)	1	
	407 136		WASHER - (AN936-A416)	1	
-25	66750-00	F	CLAMP ASSEMBLY - Shimmy dampener	1	
-26	79110-05	C	STRUT ASSEMBLY - Nose wheel	1	
-27	401 405		BOLT - (AN6-25A) Mount attachment, side	4	
	401 406	K	BOLT - (AN6-26A) Mount attachment, side	4	
	407 567		WASHER - (AN960-616) Mount attachment, side	AR	
	477 887		NUT - (PS10062-8-624C) Mount attachment, side	4	
-28	401 415		BOLT - (AN6-35A) Mount attachment, top center	1	
	401 416	K	BOLT - (AN6-36A) Mount attachment, top center	1	
	407 567		WASHER - (AN960-616) Mount attachment, top center	1	
	477 887		NUT - (PS10062-8-624C) Mount attachment, top center	1	
-29	63300-08		HORN ASSEMBLY - Nose wheel steering	1	
-30	13291-00	B	PLACARD - Oleo service instruction	1	
	580 881		PLACARD - Oleo service instruction (decal)	1	
-31	35158-02		PLUG - Axle	2	
-32	401 456		BOLT - Axle (AN6-76A)	1	
-33	13071-00		NUT	1	
-34	11473-00		PLATE	1	
-35	551 766	D	WHEEL ASSEMBLY - Nose (40-76F) Cleveland	1	
	551 785	D	WHEEL ASSEMBLY - Nose (40-56B) Cleveland	1	
	551 773	E	WHEEL ASSEMBLY - Nose (D-30625) McCauley	1	28-7690001 to 28-7890419 incl.
	551 779	E	WHEEL ASSEMBLY - Nose (D-30665) McCauley	1	28-7890420 and up

When ordering, always specify Part Number, Description, and Serial Number of Aircraft

Reissued: September 15, 1994

**PIPER AIRCRAFT
PA-28-181
AIRPLANE PARTS CATALOG**

Figure and Index Number	Part Number	Code	Nomenclature	No. Req.	Serial Numbers Affected
20-36	35262-02	G	BUNGEE ASSEMBLY - Nose wheel	2	
	87468-02	H	ROD ASSEMBLY - Nose wheel steering	2	
-37	452 605		* BEARING - (NAS659-3-5) (5/16`` male threads)	1	
-38	452 341		* BEARING - (PS10020-9-3)	1	
-39	683 019		PLACARD - Turn limit (PAC 35669-10)	1	
-40	35669-05		PLACARD - Turn limit pointer	1	
-41	85012-72		WASHER	1	
-42	63900-41		BUSHING	1	
-43	400 058		BOLT - (AN3-13)	1	
	407 584		WASHER - (AN960-10L)	AR	
	404 100		NUT - (AN310-3)	1	
	424 051		COTTER PIN - (MS24665-132)	1	
-44	86700-48	H	BUSHING - Nose gear stop	2	
-45	407 105	H	WASHER - (AN935-416)	2	

When ordering, always specify Part Number, Description, and Serial Number of Aircraft

Reissued: September 15, 1994

1D20

Island Enterprises

PIPER AIRCRAFT
PA-28-181
AIRPLANE PARTS CATALOG

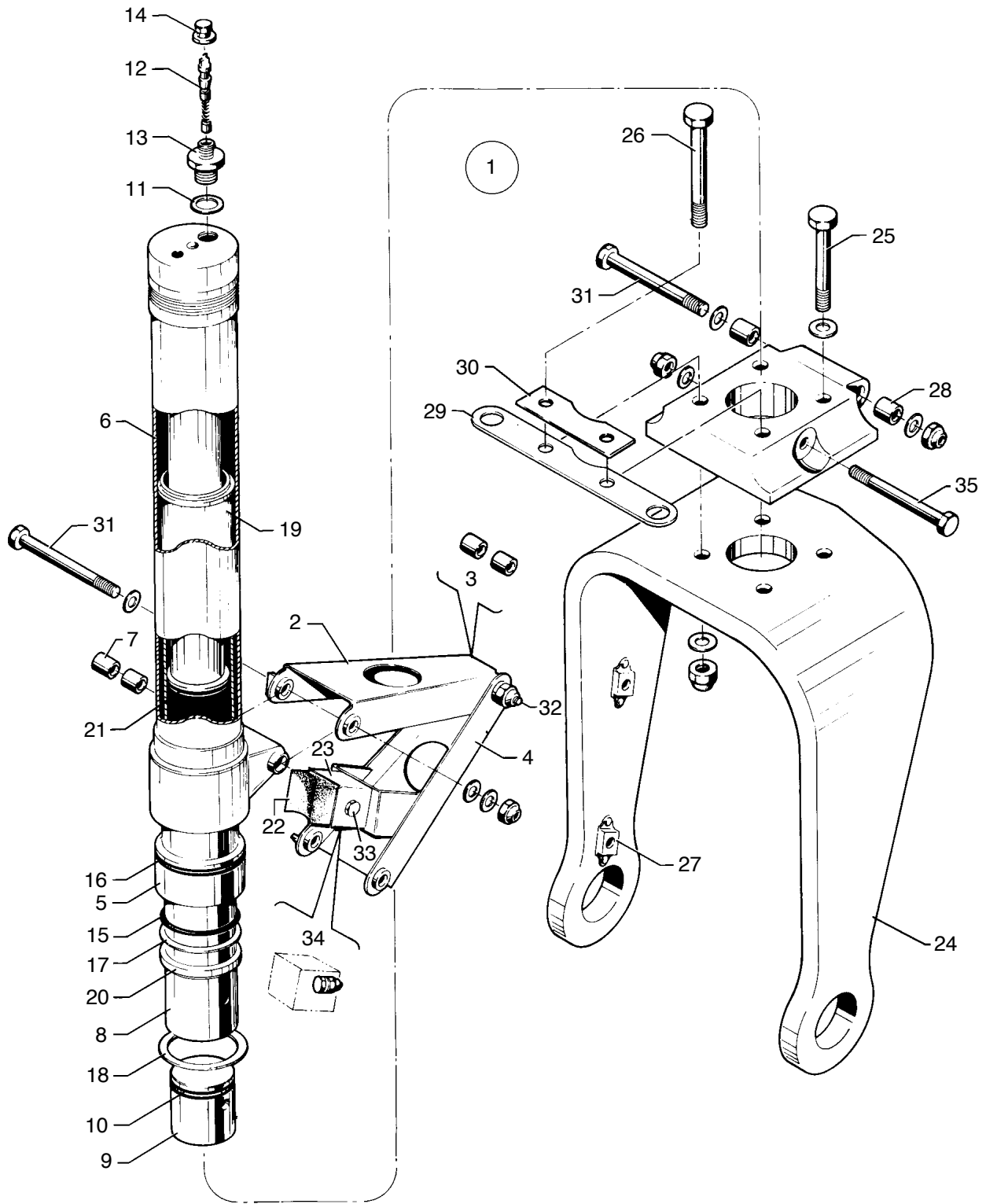


Figure 21. Nose Gear Strut Assembly

Reissued: September 15, 1994

1D21

**PIPER AIRCRAFT
PA-28-181
AIRPLANE PARTS CATALOG**

CODE EXPLANATIONS FOR FIGURE 21

- A - If existing tube incorporates a welded plug, it will be necessary to order one each of plug 15206-00 and O-ring 484 733 in addition to tube 65280-00.
- B - Before ordering tube assembly, ascertain if the top of the sleeve bearing (item 5) incorporates a 0.20 inch long by 0.028 inch deep chamfer in the outer diameter. If the chamfer does not exist, also order a new sleeve bearing 66843-02.

**PIPER AIRCRAFT
PA-28-181
AIRPLANE PARTS CATALOG**

Figure and Index Number	Part Number	Code	Nomenclature	No. Req.	Serial Numbers Affected
21-1	79110-05		STRUT ASSEMBLY - Nose wheel	1	
-2	13074-02		* LINK ASSEMBLY - Nose wheel, upper	1	
-3	452 766		** BEARING - (P32-4)	2	
-4	63383-00		* LINK ASSEMBLY - Nose wheel, lower	1	
-5	66843-02		* BEARING - Sleeve	1	
-6	65007-04	B	* TUBE ASSEMBLY - Outer, upper	1	
-7	452 766		** BEARING - (P32-4)	2	
-8	65280-00	A	* TUBE - Inner, lower	1	
-9	15206-02		* PLUG - Nose wheel oleo piston tube	1	
-10	484 733		* O-RING - (15207-00)	1	
-11	462 024		* GASKET - Air valve (AN901-5A)	1	
-12	455 124		* CORE - Air valve (AN809-1)	1	
-13	453 124		* VALVE - Air valve (AN812-1)	1	
-14	454 053		* CAP - Air valve (AN813-1B)	1	
-15	484 770		* PACKING - Quad ring (4222)	1	
-16	462 050		* PACKING - O-ring (AN6230-2)	1	
-17	494 025		* WASHER - Back-up (AN6246-27)	1	
-18	484 705		* SNAP RING	1	
-19	484 720		* RING - Retaining	1	
-20	187 625		* STRIP - Wiper (10V70) 5 1/4" L.	1	
-21	484 683		* RING - Piston (R19046)	1	
-22	79072-00		* BLOCK - Nose wheel bumper	1	
-23	79071-00		* BRACKET ASSEMBLY - Nose wheel bumper block	1	
-24	79110-03		* FORK ASSEMBLY - Nose wheel (with block assembly)	1	
-25	401 195		** BOLT - (AN5-17A)	2	
	407 586		** WASHER - (AN960-516L)	4	
	404 889		** NUT - (MS20365-524C)	2	
-26	401 361		** BOLT - (AN5-22A)	2	
	407 586		** WASHER - (AN960-516L)	2	
	404 889		** NUT - (MS20365-524C)	2	
-27	406 830		** NUT - Anchor (NAS686A4)	4	
-28	452 766		** BEARING - (P32-4)	2	
-29	65276-02		** LINK - Tow bar	1	
-30	65432-00		** SPACER - Tow bar link	1	
-31	401 370		* BOLT - (AN5-31A)	2	
	407 566		* WASHER - (AN960-516)	2	
	404 889		* NUT - (MS20365-524C)	2	
-32	401 359		* BOLT - (AN5-20A)	1	
	407 566		* WASHER - (AN960-516)	1	
	404 889		* NUT - (MS20365-524C)	1	
-33	401 273		* BOLT - (AN3-14A)	1	
	407 564		* WASHER - (AN960-10)	2	
	404 887		* NUT - (MS20365-1032C)	1	
-34	400 438		* BOLT - (AN3-4A)	1	
	407 564		* WASHER - (AN960-10)	1	
	404 887		* NUT - (MS20365-1032C)	1	
-35	401 330		* BOLT - (AN4-32A)	1	
	407 565		* WASHER - (AN960-416)	1	
	404 888		* NUT - (MS20365-428C)	1	

When ordering, always specify Part Number, Description, and Serial Number of Aircraft

Reissued: September 15, 1994

1D23

Island Enterprises

PIPER AIRCRAFT
PA-28-181
AIRPLANE PARTS CATALOG

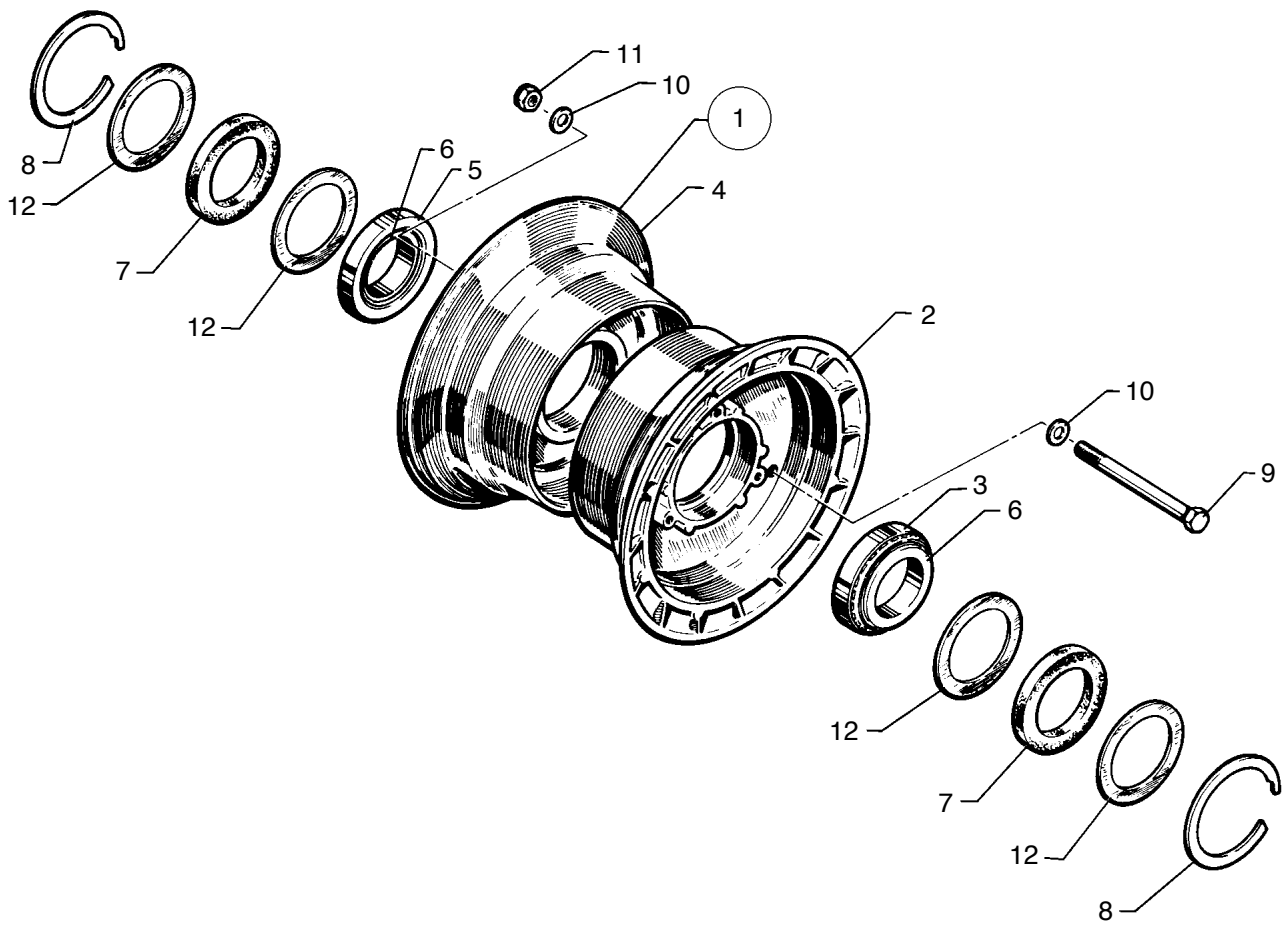


Figure 22. Nose Wheel Assembly (Cleveland)

Reissued: September 15, 1994

1D24

Island Enterprises

**PIPER AIRCRAFT
PA-28-181
AIRPLANE PARTS CATALOG**

CODE EXPLANATIONS FOR FIGURE 22

- A - Used on Model 40-76F Wheel Assembly only.
- B - Used on Model 40-56B Wheel Assembly only.

Reissued: September 15, 1994

1E1

Island Enterprises

**PIPER AIRCRAFT
PA-28-181
AIRPLANE PARTS CATALOG**

Figure and Index Number	Part Number	Code	Nomenclature	No. Req.	Serial Numbers Affected
22-1	551 766		WHEEL ASSEMBLY - Nose (Cleveland 40-76F)	1	
	551 785		WHEEL ASSEMBLY - Nose (Cleveland 40-56B)	1	
-2	756 665	A	* WHEEL HALF ASSEMBLY - Outer (162-45) (with valve hole)	1	
	763 718	B	* WHEEL HALF ASSEMBLY - Outer (162-69) (with valve hole)	1	
-3	751 494	A	** CUP - Bearing (13836)	1	
	763 287	B	** CUP - Bearing (LM29710)	1	
-4	756 666	A	* WHEEL HALF ASSEMBLY - Inner (161-47)	1	
	763 719	B	* WHEEL HALF ASSEMBLY - Inner (161-74)	1	
-5	751 494	A	** CUP - Bearing (13836)	1	
	763 287	B	** CUP - Bearing (LM29710)	1	
-6	751 489	A	* BEARING - Cone (13889)	2	
	753 448	B	* BEARING - Cone (LM29749)	2	
-7	751 819		* FELT - Grease seal (154-14)	2	
-8	752 830		* RING - Snap (3023)	2	
-9	751 405	A	* BOLT - Wheel (AN5-35A)	3	
	758 456	B	* BOLT - Wheel (AN5-34A)	3	
-10	407 566		* WASHER - Wheel bolt (AN960-516)	6	
-11	404 889		* NUT - Wheel bolt (AN365-524)	3	
-12	755 964		* RING - Grease seal (153-9)	4	

When ordering, always specify Part Number, Description, and Serial Number of Aircraft

Reissued: September 15, 1994

1E2

Island Enterprises

**PIPER AIRCRAFT
PA-28-181
AIRPLANE PARTS CATALOG**

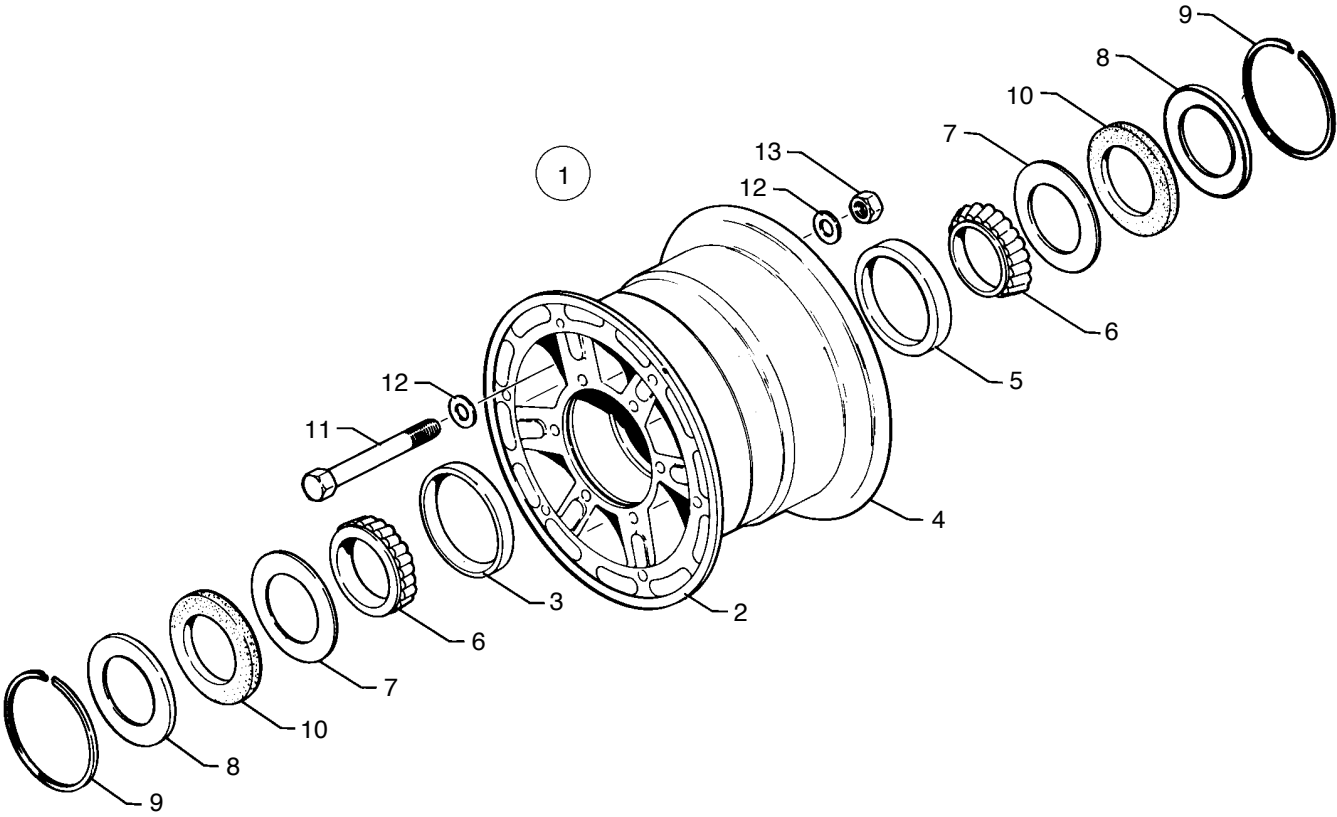


Figure 23. Nose Wheel Assembly (McCauley)

Reissued: September 15, 1994

**PIPER AIRCRAFT
PA-28-181
AIRPLANE PARTS CATALOG**

CODE EXPLANATIONS FOR FIGURE 23

- A - Used on Model D-30625 Wheel Assembly only.
- B - Used on Model D-30665 Wheel Assembly only.

**PIPER AIRCRAFT
PA-28-181
AIRPLANE PARTS CATALOG**

Figure and Index Number	Part Number	Code	Nomenclature	No. Req.	Serial Numbers Affected
23-1	551 773		WHEEL ASSEMBLY - Nose (D-30625)	1	28-7690001 to 28-7890419 incl.
	551 779		WHEEL ASSEMBLY - Nose (D-30665)	1	28-7890420 and up
-2	756 688	A	* WHEEL - Half, inner (C-30608)	1	
	763 712	B	* WHEEL - Half, inner (C-30667)	1	
-3	763 216		** CUP - Bearing (A-30079-1)	1	
-4	756 687	A	* WHEEL - Half, outer (C-30605)	1	
	763 713	B	* WHEEL - Half, outer (D-30657)	1	
-5	763 216		** CUP - Bearing (A-30079-1)	1	
-6	758 392		* BEARING - Cone (A-30079-2)	2	
-7	762 559		* RETAINER - (A-30015)	2	
-8	762 558		* RETAINER - (A-30014)	2	
-9	762 562		* RING - Retaining (A-1636-24)	2	
-10	754 855		* FELT - Retainer (A-30010)	2	
-11	758 394		* BOLT - (A-2513-75)	3	
-12	756 685		* WASHER - (A-1638-1)	6	
-13	752 571		* NUT - (A-1639-1)	3	

When ordering, always specify Part Number, Description, and Serial Number of Aircraft

Reissued: September 15, 1994

**PIPER AIRCRAFT
PA-28-181
AIRPLANE PARTS CATALOG**

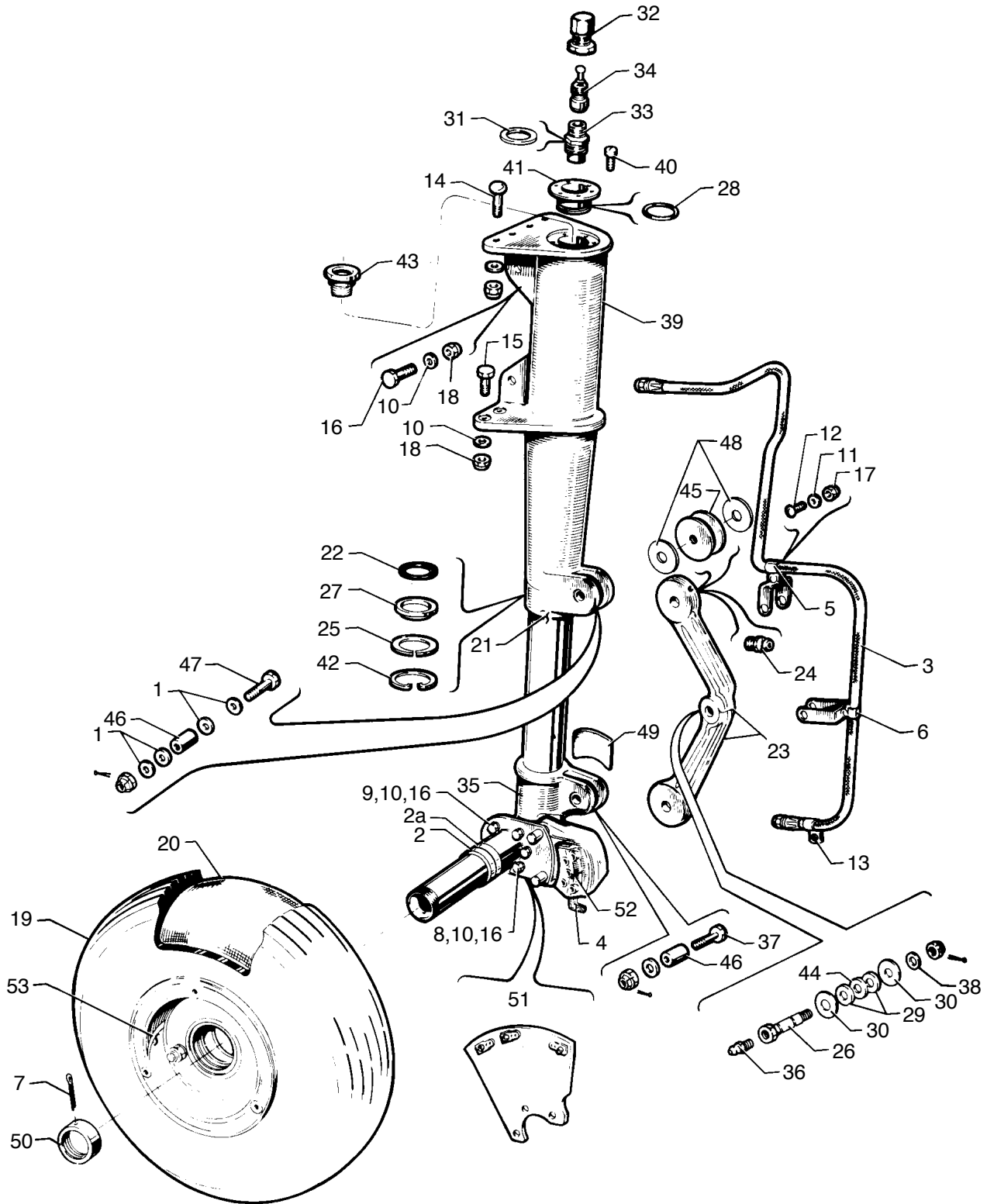


Figure 24. Main Gear Installation

**PIPER AIRCRAFT
PA-28-181
AIRPLANE PARTS CATALOG**

CODE EXPLANATIONS FOR FIGURE 24

- A - Order Greaser Bolt Replacement Kit 760 910 if shoulder bolt is installed.
- B - Refer to Figure 26 for component parts.
- C - Refer to Figure 25 for component parts.

Reissued: September 15, 1994

1E7

Island Enterprises

PIPER AIRCRAFT PA-28-181 AIRPLANE PARTS CATALOG

Figure and Index Number	Part Number	Code	Nomenclature	No. Req.	Serial Numbers Affected
24-	35644		DRAWING - Main Gear Installation		
-1	407 566		WASHER - (AN960-516)	4	
-2	63484-00		SPACER - Main gear axle (0.153 wide)	2	
-2a	63308-00		SPACER - Wheel (0.50 wide)	1	
-3	63901-17		HOSE - Brake line	2	
-4	458 894		ELBOW - (MS20822-4D)	2	
-5	63332-03		CLIP - Hose	2	
-6	63332-06		CLIP - Hose	2	
-7	424 071		COTTER PIN - (MS24665-360)	2	
-8	406 637		NUT - (H10-4)	6	
-9	404 826		NUT - (MS20364-428C)	6	
-10	407 565		WASHER - (AN960-416)	38	
-11	407 562		WASHER - (AN960-6)	8	
-12	415 518		SCREW - (MS35206-228)	6	
-13	63482-00		CLAMP - Brake hose	2	
-14	416 346		SCREW - (AN525-416-20)	8	
-15	401 311		BOLT - (AN4-11A)	8	
-16	400 003		BOLT - (AN4-6A)	16	
-17	404 909		NUT - (MS20365-632)	4	
-18	404 888		NUT - (MS20365-428)	32	
-19	761 970		TIRE - (6.00 x 6, 4 ply) B. F. Goodrich	2	
	761 995		TIRE - (6.00 x 6, 6 ply) McCreary Airhawk	2	
-20	451 735		TUBE - (6.00 x 6)	2	
-21	35644-04		GEAR ASSEMBLY - Main, left (less tire, tube, wheel and brake assembly)	1	
	35644-05		GEAR ASSEMBLY - Main, right (less tire, tube, wheel and brake assembly)	1	
-22	484 769		* PACKING - Quad ring (4326)	1	
-23	78033-00		* LINK ASSEMBLY - Torque	2	
-24	460 691		* * FITTING - Lubricator (AN944-101)	1	
-25	63307-00		* RING - Piston spacer	1	
-26	79543-02	A	* BOLT - Main gear torque link	1	28-7690001 to 28-7890231 incl.
	400 302		* BOLT - Main gear torque link (AN8-21)	1	28-7890232 and up
	404 105		* NUT - (AN310-8)	1	
	424 059		* COTTER PIN - (MS24665-283)	1	
-27	486 188		* RING - Scraper (AN6231-18)	1	
-28	484 792		* PACKING - O-ring (MS28775-218)	1	28-7690001 to 28-7790451 incl.
-29	63312-00		* WASHER - Torque link spacer (1/8`` thickness)	2	
	63312-02		* WASHER - Torque link spacer (1/16`` thickness)	2	
-30	62833-27		* WASHER - Torque link bolt	2	
-31	462 024		* GASKET - Air valve (AN901-5A)	1	
-32	454 053		* CAP - (AN813-1B) Air valve	1	
-33	453 124		* VALVE - (AN812-1) Air	1	
-34	455 124		* CORE - (AN809-1) Air valve	1	
-35	78738-02		* STUB AXLE AND OLEO PISTON ASSEMBLY - Left	1	
	78738-03		* STUB AXLE AND OLEO PISTON ASSEMBLY - Right	1	
-36	460 691		* FITTING - Lubricator (AN944-101)	1	28-7690001 to 28-7890231 incl.
-37	400 165		* BOLT - (AN5-22)	1	
	407 566		* WASHER - (AN960-516)	3	
	407 586		* WASHER - (AN960-516L)	3	
	404 122		* NUT - (AN310-C5)	1	
	424 095		* COTTER PIN - (MS24665-151)	1	

When ordering, always specify Part Number, Description, and Serial Number of Aircraft

Reissued: September 15, 1994

1E8

Island Enterprises

**PIPER AIRCRAFT
PA-28-181
AIRPLANE PARTS CATALOG**

Figure and Index Number	Part Number	Code	Nomenclature	No. Req.	Serial Numbers Affected
24-38	407 586		* WASHER - (AN960-516L)	1	
-39	65319-04		* CYLINDER	1	
-40	401 918		* BOLT - (AN74-A3)	6	
-41	63315-00		* CYLINDER HEAD	1	
-42	63314-00		* RETAINING RING - Piston	1	
-43	65430-03		* ORIFICE ASSEMBLY	1	
-44	63312-00		* WASHER - Torque link spacer	1	
-45	63311-00		* WASHER - Bearing (0.063 thick)	4	
-46	63310-00		* SPACER - Torque link	2	
-47	400 166		* BOLT - (AN5-23)	1	
	407 566		* WASHER - (AN960-516)	AR	
	407 586		* WASHER - (AN960-516L)	AR	
	404 122		* NUT - (AN310-C5)	1	
	424 095		* COTTER PIN - (MS24665-151)	1	
-48	63311-03		* WASHER - Bearing (0.005 thick)	AR	
-49	63933-00		PLACARD - Oleo service instruction (decal)	2	
-50	66820-00		NUT - Wheel retainer	2	
-51	63370-05		BRACKET ASSEMBLY - Wheel fairing, left	1	28-7790001 to 28-7790607 incl.
	63370-04		BRACKET ASSEMBLY - Wheel fairing, right	1	28-7790001 to 28-7790607 incl.
	37880-02		BRACKET ASSEMBLY - Wheel fairing, left	1	28-7890001 and up
	37880-03		BRACKET ASSEMBLY - Wheel fairing, right	1	28-7890001 and up
-52	551 705	B	BRAKE ASSEMBLY - (30-55)	2	
-53	551 764	C	WHEEL ASSEMBLY - (6.00 x 6) (40-86B)	2	

When ordering, always specify Part Number, Description, and Serial Number of Aircraft

Reissued: September 15, 1994

PIPER AIRCRAFT
PA-28-181
AIRPLANE PARTS CATALOG

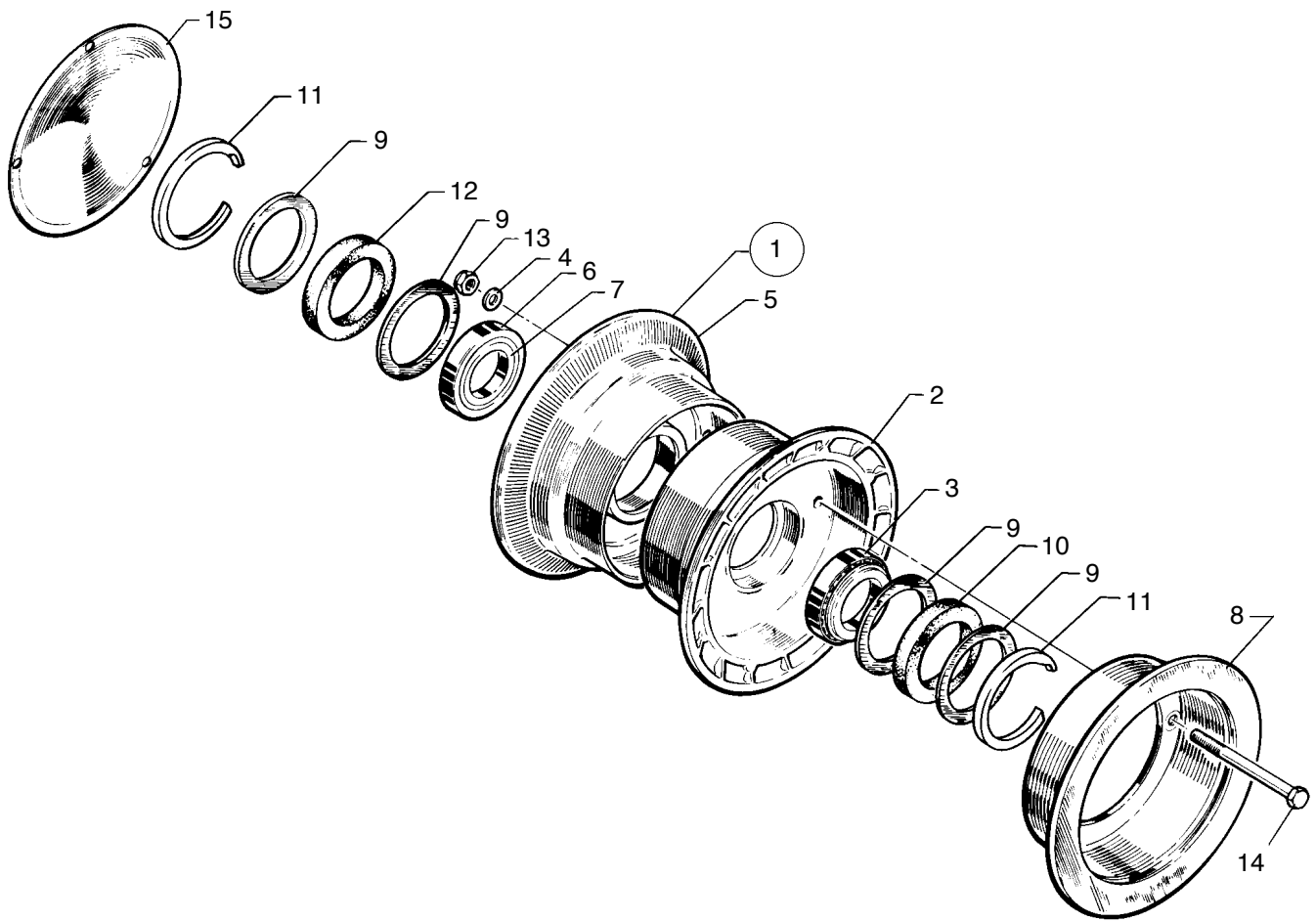


Figure 25. Main Wheel Assembly

Reissued: September 15, 1994

1E10

Island Enterprises

**PIPER AIRCRAFT
PA-28-181
AIRPLANE PARTS CATALOG**

CODE EXPLANATIONS FOR FIGURE 25

Reissued: September 15, 1994

1E11

Island Enterprises

**PIPER AIRCRAFT
PA-28-181
AIRPLANE PARTS CATALOG**

Figure and Index Number	Part Number	Code	Nomenclature	No. Req.	Serial Numbers Affected
25-1	551 764		WHEEL ASSEMBLY - Main (40-86B)	2	
-2	756 666		* WHEEL HALF ASSEMBLY - Inner (161-47)	1	
-3	751 494		** CUP - Bearing (13836)	1	
-4	407 566		* WASHER - Wheel bolt (AN960-516)	3	
-5	576 665		* WHEEL HALF ASSEMBLY - Outer (162-45)	1	
-6	751 494		** CUP - Bearing (13836)	1	
-7	751 489		* BEARING - Cone, timken (13889)	2	
-8	754 535		* DISC ASSEMBLY - Brake (164-20)	1	
-9	755 999		* RING - Grease seal (153-4)	4	
-10	751 772		* FELT = Grease seal (3021)	1	
-11	752 830		* RING - Snap (3023)	2	
-12	751 772		* FELT - Grease seal (3021)	1	
-13	404 889		* NUT - Wheel bolt (AN365-524)	3	
-14	751 405		* BOLT - Wheel (AN545A)	3	
-15	451 783		* SHIELD - Dust (157-9)	2	

When ordering, always specify Part Number, Description, and Serial Number of Aircraft

Reissued: September 15, 1994

1E12

Island Enterprises

PIPER AIRCRAFT
PA-28-181
AIRPLANE PARTS CATALOG

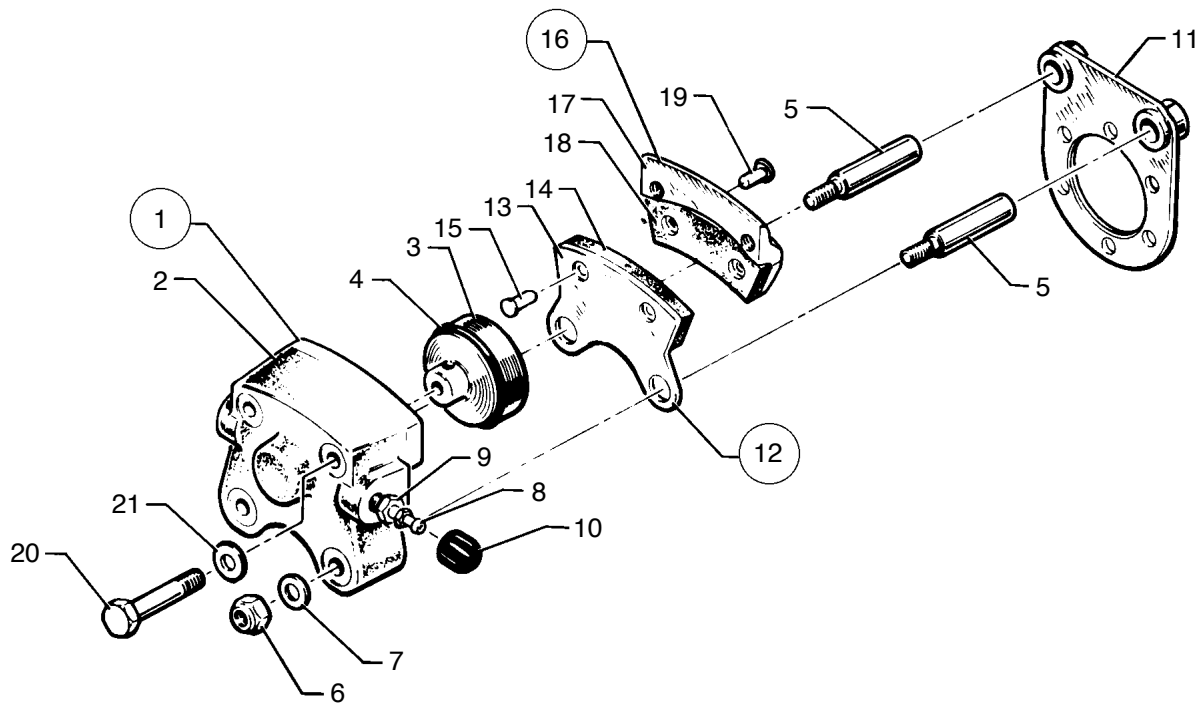


Figure 26. Brake Assembly

Reissued: September 15, 1994

1E13

Island Enterprises

**PIPER AIRCRAFT
PA-28-181
AIRPLANE PARTS CATALOG**

CODE EXPLANATIONS FOR FIGURE 26

Reissued: September 15, 1994

1E14

Island Enterprises

**PIPER AIRCRAFT
PA-28-181
AIRPLANE PARTS CATALOG**

Figure and Index Number	Part Number	Code	Nomenclature	No. Req.	Serial Numbers Affected
26-1	551 705		BRAKE ASSEMBLY - (30-55)	2	
-2	753 920		* CYLINDER - Brake (61-21)	1	
-3	755 887		* PISTON - (62-15)	1	
-4	484 698		* O-RING - (AN6227-27)	1	
-5	753 407		* BOLT - Anchor (69-4)	2	
-6	404 836		* NUT - Anchor bolt (MS20364-428C)	2	
-7	407 585		* WASHER - Anchor bolt (AN960-416L)	2	
-8	752 965		* SCREW - Bleeder (FC6446)	1	
-9	752 966		* SEAT - Bleeder (37-206)	1	
-10	753 850		* CAP - Bleeder (183-1)	1	
-11	755 818		* TORCIUE PLATE ASSEMBLY - (75-16)	1	
-12	755 883		* PLATE ASSEMBLY - Pressure (73-11)	1	
-13	755 884		** PLATE - Pressure (63-12)	1	
-14	752 342		** LINING - (66-105)	1	
-15	752 826		** RIVET - (561)	2	
-16	755 885		* PLATE ASSEMBLY - Back (74-10)	1	
-17	755 886		** PLATE - Back (64-15)	1	
-18	752 342		** LINING - (66-105)	1	
-19	752 826		** RIVET - (561)	2	
-20	753 408		* BOLT - Through (LP4-17AM)	2	
-21	407 585		* WASHER - Through bolt (AN960-416L)	2	

When ordering, always specify Part Number, Description, and Serial Number of Aircraft

Reissued: September 15, 1994

1E15

Island Enterprises

PIPER AIRCRAFT
PA-28-181
AIRPLANE PARTS CATALOG

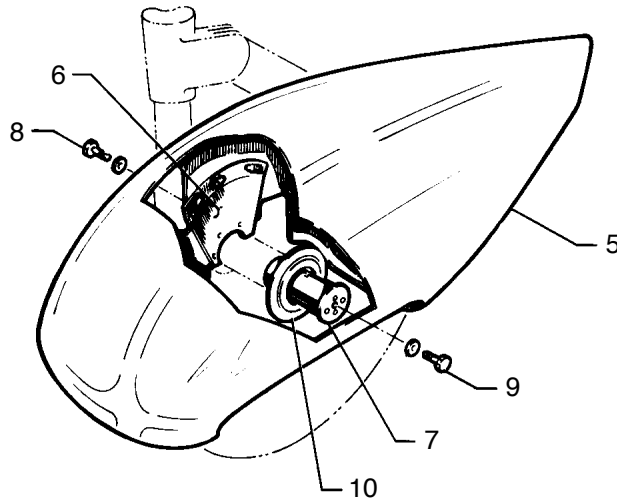
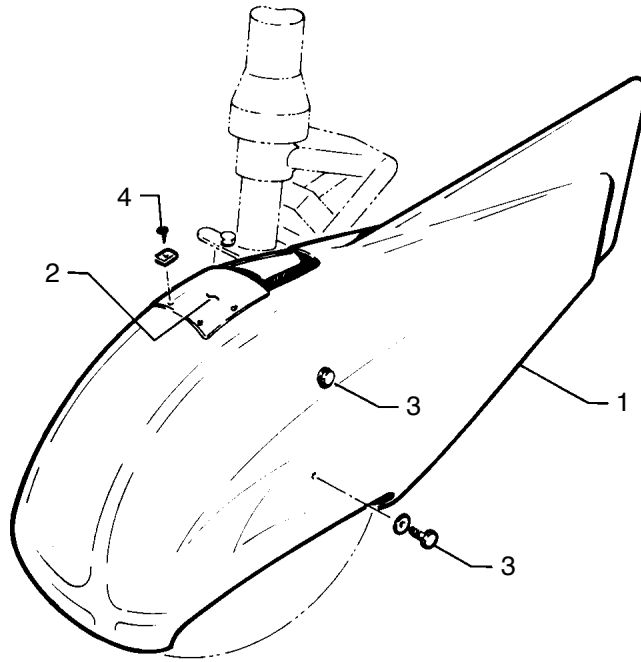


Figure 27. Main and Nose Wheel Fairing Installation
(Serial numbers 28-7690001 to 28-7790607 inclusive)

Reissued: September 15, 1994

1E16

Island Enterprises

**PIPER AIRCRAFT
PA-28-181
AIRPLANE PARTS CATALOG**

CODE EXPLANATIONS FOR FIGURE 27

Reissued: September 15, 1994

1E17

Island Enterprises

**PIPER AIRCRAFT
PA-28-181
AIRPLANE PARTS CATALOG**

Figure and Index Number	Part Number	Code	Nomenclature	No. Req.	Serial Numbers Affected
27-	65348		DRAWING - Nose Wheel Fairing Installation		
-1	65331-06		FAIRING ASSEMBLY - Nose wheel	1	
-2	79245-00		COVER - Nose wheel fairing	1	
-3	401 310		BOLT - (AN4-10A)	4	
	407 565		WASHER - (AN960-416)	4	
-4	415 449		SCREW - (AN526-832R8)	4	
	477 674		NUT - (MU-832-.45-.05 x .075-L-10)	4	
-5	65203-02		FAIRING ASSEMBLY - Main wheel, left	1	
	65203-03		FAIRING ASSEMBLY - Main wheel, right	1	
-6	63370-05		BRACKET ASSEMBLY - Wheel fairing, left	1	
	63370-04		BRACKET ASSEMBLY - Wheel fairing, right	1	
-7	66821-04		SUPPORT ASSEMBLY - Wheel fairing, main	2	
-8	400 003		BOLT - (AN4-6A)	6	
	407 565		WASHER - (AN960-416)	6	
-9	400 003		BOLT - (AN4-6A)	2	
	407 801		WASHER - (AN970-4)	2	
-10	752 882		GREASE SEAL ASSEMBLY - (B39001)	2	

When ordering, always specify Part Number, Description, and Serial Number of Aircraft

Reissued: September 15, 1994

1E18

Island Enterprises

**PIPER AIRCRAFT
PA-28-181
AIRPLANE PARTS CATALOG**

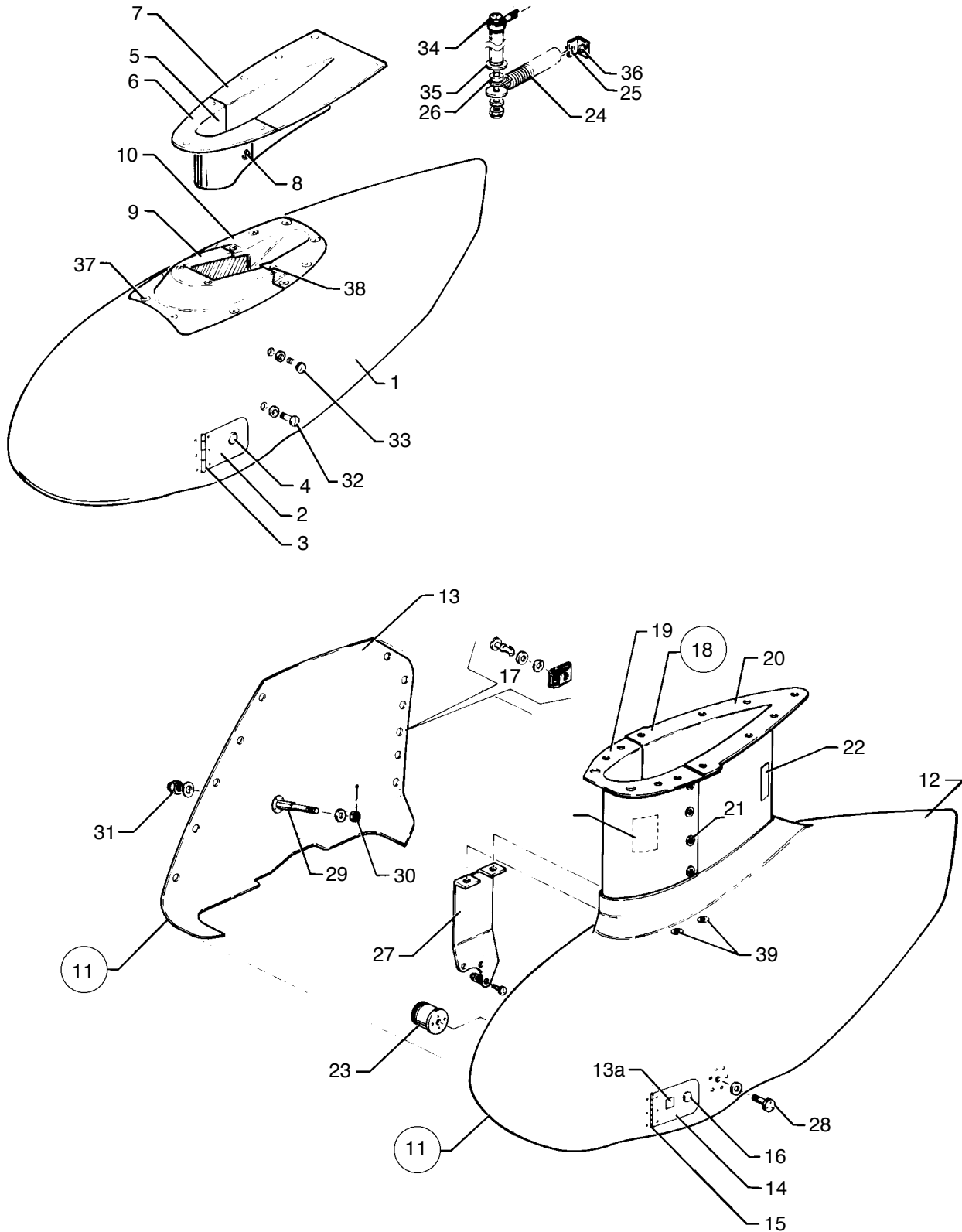


Figure 28. Main and Nose Wheel Fairing Installation
(Serial numbers 28-7890001 and up)

Reissued: September 15, 1994

**PIPER AIRCRAFT
PA-28-181
AIRPLANE PARTS CATALOG**

CODE EXPLANATIONS FOR FIGURE 28

- A - Ascertain If Main Landing Gear Fiberglass Wheel and Strut Fairing Replacement Kit 763 918 has been installed on serial numbers 28-7890001 to 28-7990242 inclusive, per Piper Service Letter 862 (New fiberglass fairings are identified by camloc fasteners attaching inner and outer fairing halves together. Obsolete cycolac fairings are identified by screws, washers, and nuts attaching inner and outer fairing halves together.) If Kit 763 918 has been installed per Piper Service Letter 862, order individual items listed for serial numbers 28-7990243 and up, as desired. If Kit 763 918 has not been installed on serial numbers 28-7890001 to 28-7990242 inclusive, and individual items are desired for a particular wheel, one of the following Main Landing Gear Fiberglass Wheel and Strut Fairing Kits must be ordered as a replacement: 763 956 for left wheel or 763 957 for right wheel. After above listed Kit(s) have been installed on aircraft, order individual fiberglass items listed for serial numbers 28-7990243 and up, as desired.
- B - Used with cycolac fairing assemblies only.
- C - Used with fiberglass fairing assemblies only.
- D - Used if nose gear fairing incorporates a door assembly in side of wheel fairing.
- E - Used if nose gear fairing does not incorporate a door assembly in side of wheel fairing
- F - Ascertain material thickness of fairing currently installed on aircraft. If existing fairing measures 0.093 thick, a complete new fairing assembly, 37925-02, must be ordered and installed. If existing fairing measures 0.125 thick, order individual fairing as desired.

PIPER AIRCRAFT PA-28-181 AIRPLANE PARTS CATALOG

Figure and Index Number	Part Number	Code	Nomenclature	No. Req.	Serial Numbers Affected
28-	79893 37896		DRAWING - Main Wheel Fairing Installation (Fiberglass) DRAWING - Nose Wheel Fairing Installation		
-1	35944-15		FAIRING ASSEMBLY - Nose Wheel (fiberglass)	1	
-2	37882-02	B	* DOOR ASSEMBLY - Wheel Fairing	1	
-3	37882-04	B	** HINGE ASSEMBLY - Door	1	
-4	472 017	B	** LATCH - Door (KM610-32)	1	
-5	37925-02		FAIRING ASSEMBLY - Nose gear strut	1	
-6	37925-07	F	* FAIRING - Nose gear strut, forward	1	
-7	37925-06	F	* FAIRING - Nose gear strut, aft	1	
-8	414 467		* SCREW (MS24693-C51)	2	
	494 037		* WASHER (PS10092-1-3C)	2	
	477 640		* NUT- (PS10062-5-3)	2	
-9	37926-03	D	COVER - Nose wheel fairing, forward	1	
	36559-06	E	COVER - Nose wheel fairing, forward	1	
-10	37926-04	D	COVER - Nose wheel fairing, aft	1	
	36559-03	E	COVER - Nose wheel fairing, aft	1	
-11	79890-900	A	FAIRING ASSEMBLY - Main wheel, left, complete (fiberglass)	1	28-7990243 and up
	79890-901	A	FAIRING ASSEMBLY - Main wheel, right, complete (fiberglass)	1	28-7990243 and up
-12	79890-43		* SHELL ASSEMBLY - Main wheel, outboard, left (fiberglass)	1	28-7990243 and up
	79890-44		* SHELL ASSEMBLY - Main wheel, outboard, right (fiberglass)	1	28-7990243 and up
-13	79890-45		* ACCESS ASSEMBLY - Main wheel, inboard, left (fiberglass)	1	28-7990243 and up
	79890-46		* ACCESS ASSEMBLY - Main wheel, inboard, right (fiberglass)	1	28-7990243 and up
-13a	35669-44	B	* PLACARD - Tire pressure	1	
-14	37882-02		* DOOR ASSEMBLY - Wheel fairing	1	
-15	37882-04		** HINGE ASSEMBLY - Door	1	
-16	472 017		** LATCH - Door (KN610-32)	1	
-17	414 793	B	* SCREW - (MS24693-S50)	26	
	494 101	B	* WASHER - (PS10092-1-2C)	26	
	477 640	B	* NUT - (PS10062-5-3)	26	
	587 594	C	* STUD - (PS10077-1-9)	15	
	594 003	C	* SEAL - Washer (85-43-201-38)	15	
	584 140	C	* RETAINER - (PS10077-1-66)	15	
	484 198	C	* RECEPTACLE - (PS10077-1-63)	15	
-18	79892-02	A	FAIRING ASSEMBLY - Main gear strut, left, complete (fiberglass)	1	28-7990243 and up
	79892-03	A	FAIRING ASSEMBLY - Main gear strut, right, complete (fiberglass)	1	28-7990243 and up
-19	79892-04	A	* FAIRING ASSEMBLY - Main gear strut, forward, left (fiberglass)	1	28-7990243 and up
	79892-05	A	* FAIRING ASSEMBLY - Main gear strut, forward, right (fiberglass)	1	28-7990243 and up
-20	79892-10	A	* FAIRING ASSEMBLY - Main gear strut, aft, left (fiberglass)	1	28-7990243 and up
	79892-09	A	* FAIRING ASSEMBLY - Main gear strut, aft, right (fiberglass)	1	28-7990243 and up
-21	486 218	B	* SCREW - (PS10015-F8-16BL)	8	
	494 037	B	* WASHER - (PS10092-1-2C)	8	
	477 816	B	* NUT - (PS10062-5-9)	8	
	587 593	C	* STUD - (PS10077-1-8)	8	
	594 003	C	* SEAL - Washer (85-43-201-38)	8	
	584 140	C	* RETAINER - (PS10077-1-66)	8	
	484 198	C	* RECEPTACLE - (PS10077-1-63)	8	
-22	35669-23		PLACARD - Gear	1	
-23	66821-04	B	SUPPORT ASSEMBLY - Wheel fairing, main (1.44 long)	2	
	66821-05	C	SUPPORT ASSEMBLY - (1.62 long)	2	
-24	67168-00		SPRING - Nose gear	2	
-25	69486-00		ANGLE - Nose gear spring attachment	2	
-26	63900-108		BUSHING - Nose gear spring	2	
-27	37880-02		BRACKET ASSEMBLY - Wheel fairing, left	1	
	37880-03		BRACKET ASSEMBLY - Wheel fairing, right	1	

When ordering, always specify Part Number, Description, and Serial Number of Aircraft

Reissued: September 15, 1994

1E21

Island Enterprises

**PIPER AIRCRAFT
PA-28-181
AIRPLANE PARTS CATALOG**

Figure and Index Number	Part Number	Code	Nomenclature	No. Req.	Serial Numbers Affected
28-28	400 004		BOLT - (AN4-7A)	2	
	407 565		WASHER - (AN960-416)	2	
-29	37881-02	B	BOLT - Main wheel fairing attachment (3.96 long)	2	
	37881-03	C	BOLT - Main wheel fairing attachment (4.22 long)	2	
-30	407 565		WASHER - (AN960-416)	AR	
	404 888		NUT - (MS20365-428C)	2	
-31	407 801		WASHER - (AN970-4)	4	
	404 888		NUT - (MS20365-428C)	2	
-32	401 311		BOLT - (AN4-11A) Bottom, Left and Right	2	28-7690001 to 28-7790607 incl.
	400 907		BOLT - (AN24-17A) Bottom, Left and Right	2	28-7890001 and up
	407 585		WASHER - (AN960-416L)	2	
-33	401 312		BOLT - (AN4-12A) Top, Left and Right	2	28-7690001 to 28-7790607 incl.
	400 907		BOLT - (AN24-17A) Top, Left and Right	2	28-7890001 and up
	407 585		WASHER - (AN960-416L)	2	
-34	400 455		BOLT - (AN3-23A)	2	28-7690001 to 28-7890071 incl.
	400 449		BOLT - (AN3-24A)	2	28-7890072 and up
	407 584		WASHER - (AN960-10L)	6	
	404 887		NUT - (MS20365-1032C)	2	
-35	62833-07		WASHER - Nose gear spring	4	28-7690001 to 28-7890071 incl.
	407 800		WASHER - Nose gear spring (AN970-3)	4	28-7890072 and up
-36	415 535		SCREW - (MS35206-245)	2	
	407 563		WASHER - (AN960-8)	2	
	404 910		NUT - (MS20365-832C)	2	
-37	414 762		SCREW - (MS24693-S51)	19	
	494 101		WASHER - (PS10092-1-2C)	19	
-38	486 218		SCREW - (PS10015-F8-16BL)	2	
	494 037		WASHER - (PS10092-1-3C)	2	
	477 816		NUT - (PS10062-5-9)	2	
-39	416 633		SCREW - (MS24693-S273)	4	
	494 037		WASHER - (PS10092-1-3C)	4	
-40	63933-00	C	PLACARD - Oleo service instructions	2	

When ordering, always specify Part Number, Description, and Serial Number of Aircraft

Reissued: September 15, 1994

1E22

Island Enterprises

PIPER AIRCRAFT
PA-28-181
AIRPLANE PARTS CATALOG

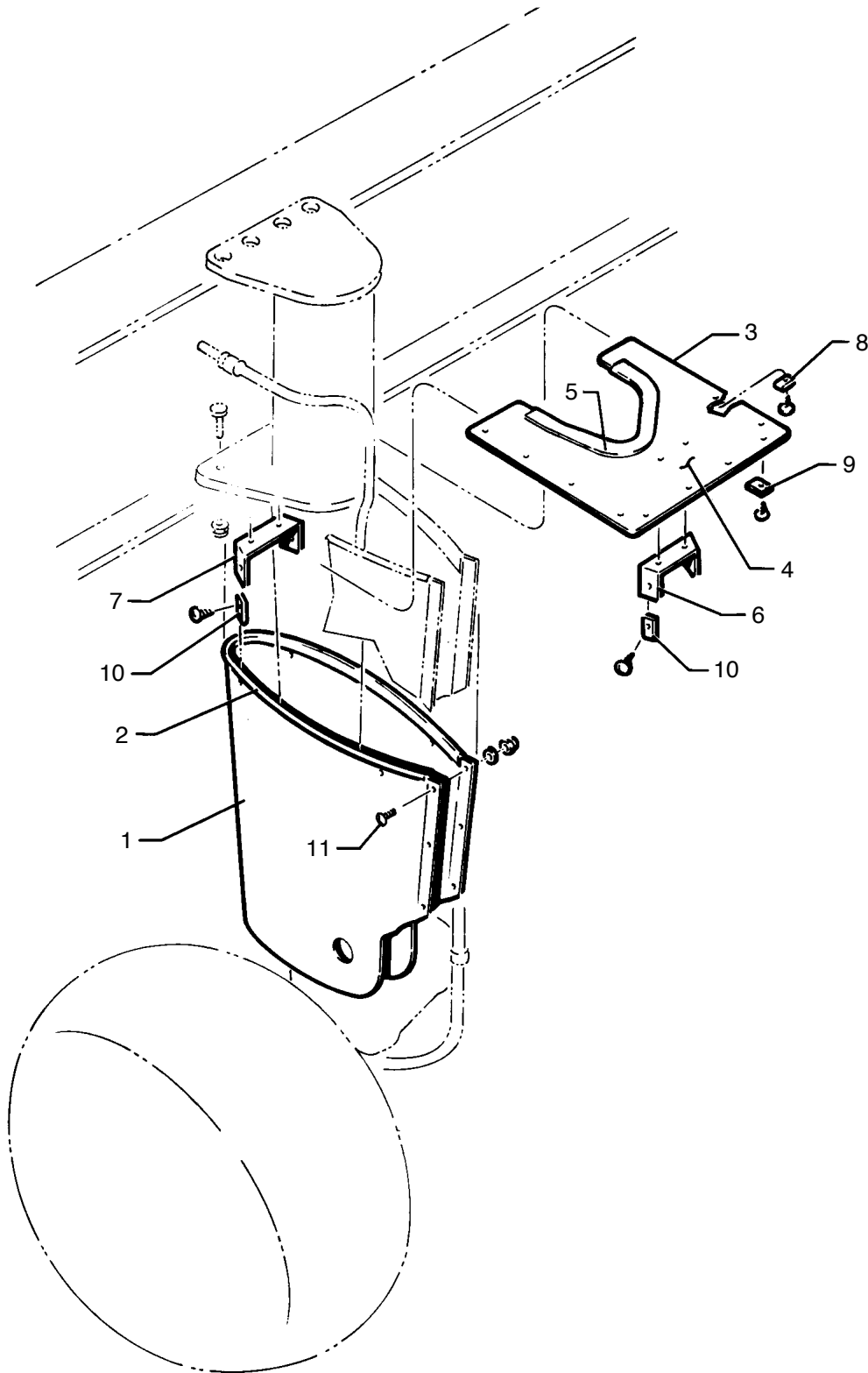


Figure 29. Main Landing Gear Strut Fairing Installation

Reissued: September 15, 1994

1E23

Island Enterprises

**PIPER AIRCRAFT
PA-28-181
AIRPLANE PARTS CATALOG**

CODE EXPLANATIONS FOR FIGURE 29

A - Refer to Figure 28 for main gear strut fairings on serial numbers 28-7890001 and up, when main wheel fairings are installed.

**PIPER AIRCRAFT
PA-28-181
AIRPLANE PARTS CATALOG**

Figure and Index Number	Part Number	Code	Nomenclature	No. Req.	Serial Numbers Affected
29-	65693		DRAWING - Strut Fairing Installation, Main Landing Gear		
-1	63338-00		FAIRING ASSEMBLY - Main gear	2	
-2	63186-04		* MOULDING - Extruded	1	
-3	65688-00		PLATE ASSEMBLY - Fairing, left	1	
	65688-01		PLATE ASSEMBLY - Fairing, right	1	
-4	65688-02		* PLATE - Fairing, left	1	
	65688-03		* PLATE - Fairing, right	1	
-5	63186-33		* MOULDING - Extruded	1	
-6	63341-00		* CLIP - Fairing	2	
-7	63342-00		CLIP - Fairing	2	
-8	419 920		SCREW - (8 x 1/2)	2	
	415 449		SCREW - (AN526-832R8)	2	
-9	415 449		SCREW - (AN526-832R8)	8	
-10	419 920		SCREW - (8 x 1/2)	4	
	406 373		NUT - (NAS395-17-1)	4	
-11	415 171		SCREW - (AN526-C6-5)	3	
	407 562		WASHER - (AN960-6)	3	
	404 909		NUT - (MS20365-632C)	3	

When ordering, always specify Part Number, Description, and Serial Number of Aircraft

Reissued: September 15, 1994

**PIPER AIRCRAFT
PA-28-181
AIRPLANE PARTS CATALOG**

THIS PAGE INTENTIONALLY LEFT BLANK

**PIPER AIRCRAFT
PA-28-181
AIRPLANE PARTS CATALOG**

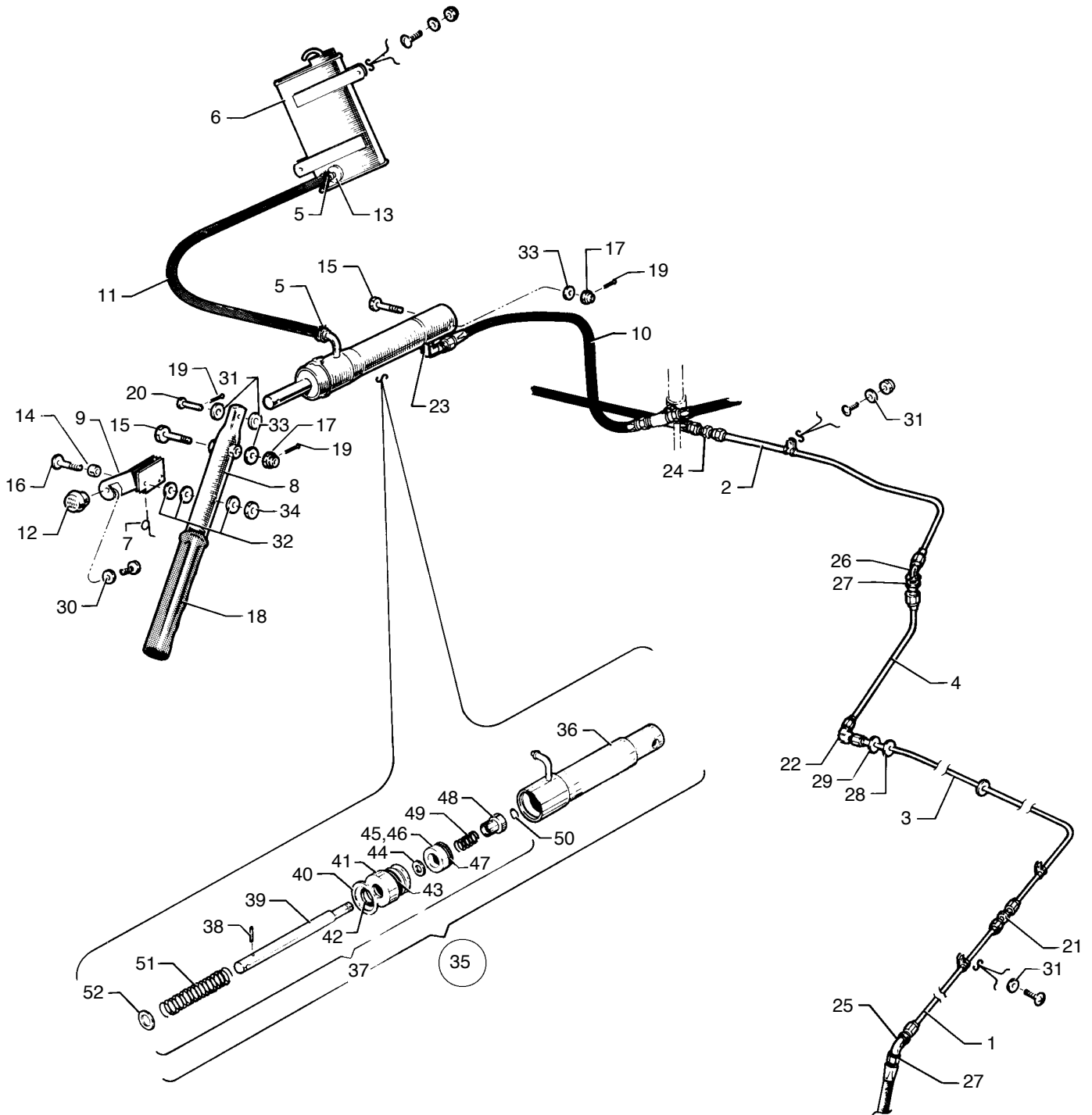


Figure 30. Hand Brake Installation

Reissued: September 15, 1994

**PIPER AIRCRAFT
PA-28-181
AIRPLANE PARTS CATALOG**

CODE EXPLANATIONS FOR FIGURE 30

Reissued: September 15, 1994

1F4

Island Enterprises

**PIPER AIRCRAFT
PA-28-181
AIRPLANE PARTS CATALOG**

Figure and Index Number	Part Number	Code	Nomenclature	No. Req.	Serial Numbers Affected
30-	65842		DRAWING - Brake Installation		
-1	63325-00		LINE ASSEMBLY	1	
-2	63466-00		LINE ASSEMBLY - Right	1	
-3	68467-00		LINE ASSEMBLY	2	
-4	67700-58		LINE ASSEMBLY	2	
-5	554 998		CLAMP - Hose (SAE TY F-4)	2	
-6	63355-09		RESERVOIR ASSEMBLY - Brake cylinder	1	
-7	63356-00		SPRING - Brake handle	1	
-8	63357-00		HANDLE ASSEMBLY - Brake	1	
-9	67135-03		LATCH ASSEMBLY - Brake handle	1	
-10	63901-09		HOSE ASSEMBLY - Flexible	1	
-11	63913-10		HOSE - Flexible	1	
-12	63914-07		KNOB ASSEMBLY - Parking brake	1	
-13	63915-06		DISC - Firewall seal	1	
-14	63900-131		BUSHING	1	
-15	400 113		BOLT - (AN4-20)	2	
-16	400 686		BOLT - (AN23-23A)	1	
-17	404 101		NUT - (AN310-4)	2	
-18	463 380		GRIP - Brake handle	1	
-19	424 051		PIN - (AN380-2-2)	2	
-20	424 178		PIN - (AN393-19)	1	
-21	491 050		UNION - (AN815-4D)	2	
-22	458 881		ELBOW - (AN821-4D)	2	
-23	458 894		ELBOW - (AN822-4D)	2	
-24	491 050		UNION - (AN815-4D)	1	
-25	458 910		ELBOW - (AN837-4D)	2	
-26	458 910		ELBOW - (AN837-4D) Left	1	
	491 060		UNION - (AN832-4D) Right	1	
-27	477 618		NUT - (AN924-4D)	4	
-28	434 132		GROMMET - (AN931-11-16)	2	
-29	434 151		GROMMET - (AN931-5S-12)	4	
-30	407 124		LOCKWASHER - (AN935-10L)	1	
-31	407 584		WASHER - (AN960-10L)	11	
-32	407 564		WASHER - (AN960-10)	3	
-33	407 565		WASHER - (AN960-416)	2	
-34	404 887		NUT - (MS20365-1032)	4	
-35	455 938		CYLINDER ASSEMBLY - Master (10-22)	1	
-36	753 956		* HYDRAULIC CYLINDER ASSEMBLY - (189-9)	1	
-37	755 948		* PISTON ROD ASSEMBLY - (182-7)	1	
-38	755 882		** ROLL PIN - (223-1)	1	
-39	755 949		** ROD - Piston (142-9)	1	
-40	755 950		** RING - Snap (155-10)	1	
-41	751 889		** GLAND - Packing (141-10)	1	
-42	484 701		** PACKING - O-Ring (AN6227-7)	1	
-43	484 727		** PACKING - O-Ring (AN6227-12)	1	
-44	753 172		** WASHER - Dyna-seal (110-3/16)	1	
-45	757 216		** PISTON ASSEMBLY - (92-19)	1	
-46	757 217		*** PISTON - (48-10)	1	
-47	484 706		*** PACKING - O-Ring (AN6227-11)	1	
-48	753 381		** BUSHING - (145-15)	1	
-49	756 117		** SPRING - (82-8)	1	
-50	752 855		** RING - Snap (155-5)	1	
-51	756 118		** SPRING - (82-9)	1	
-52	407 567		** WASHER - (AN960-616)	1	

When ordering, always specify Part Number, Description, and Serial Number of Aircraft

Reissued: September 15, 1994

**PIPER AIRCRAFT
PA-28-181
AIRPLANE PARTS CATALOG**

CODE EXPLANATIONS FOR FIGURE 31

A - See Figure 32 for component parts.

B - No longer available. Order Master Cylinder Assembly 455 968 (Cleveland 10-30), or 455 944 (Gar Kenyon 17000) as a replacement.

Reissued: September 15, 1994

**PIPER AIRCRAFT
PA-28-181
AIRPLANE PARTS CATALOG**

Figure and Index Number	Part Number	Code	Nomenclature	No. Req.	Serial Numbers Affected
31-	63476		DRAWING - Dual Toe Brake Line Installation		
	35135		DRAWING - Control System Installation		
-1	455 948	A,B	CYLINDER ASSEMBLY - Master (10-27) Cleveland	4	
	455 968	A	CYLINDER ASSEMBLY - Master (10-30) Cleveland	4	
	455 944	A	CYLINDER ASSEMBLY - Master (17000) Gar-Kenyon	4	
-2	63901-09		HOSE ASSEMBLY - Flexible	2	
-3	63901-21		HOSE ASSEMBLY - Flexible	2	
-4	63901-22		HOSE ASSEMBLY - Flexible	1	
-5	63594-00		CLIP - Spring, left outboard pedal	1	
	63594-01		CLIP - Spring, right outboard pedal	1	
-6	63464-00		BRACE ASSEMBLY - Toe brake	2	
-7	63468-00		BRACKET - Toe brake	2	
-8	63469-00		ARM - Toe brake	1	
-9	63469-01		ARM - Toe brake	3	
-10	63470-00		ARM - Toe brake	4	
-11	79430-00		CLEVIS ASSEMBLY - Toe brake (non-adjustable)	4	
-12	63478-00		SPACER - Toe brake	4	
-13	63485-00		PEDAL ASSEMBLY - Toe brake, left inboard	1	
	63485-02		PEDAL ASSEMBLY - Toe brake, left outboard	1	
	63485-01		PEDAL ASSEMBLY - Toe brake, right inboard	1	
	63485-03		PEDAL ASSEMBLY - Toe brake, right outboard	1	
-14	62867-02		* PAD ASSEMBLY - Brake pedal	1	
-15	453 714		BEARING - Brake pedal (PS10065-37)	8	
-16	424 175		PIN - Flat head (MS20392-2C13)	4	
-17	424 181		PIN - Flat head (MS20392-2C25)	4	
-18	424 184		PIN - Flat head (MS20392-2C31)	4	
-19	424 189		PIN - Flat head (MS20392-2C39)	4	
-20	458 894		ELBOW - (MS20822-4D)	3	
-21	458 891		ELBOW - (MS20823-4D)	4	
-22	488 499		TEE - (MS20825-4D)	1	
-23	491 050		UNION - (AN815-4D)	1	
-24	458 904		ELBOW - (AN914-1D)	5	

When ordering, always specify Part Number, Description, and Serial Number of Aircraft

Reissued: September 15, 1994

PIPER AIRCRAFT
PA-28-181
AIRPLANE PARTS CATALOG

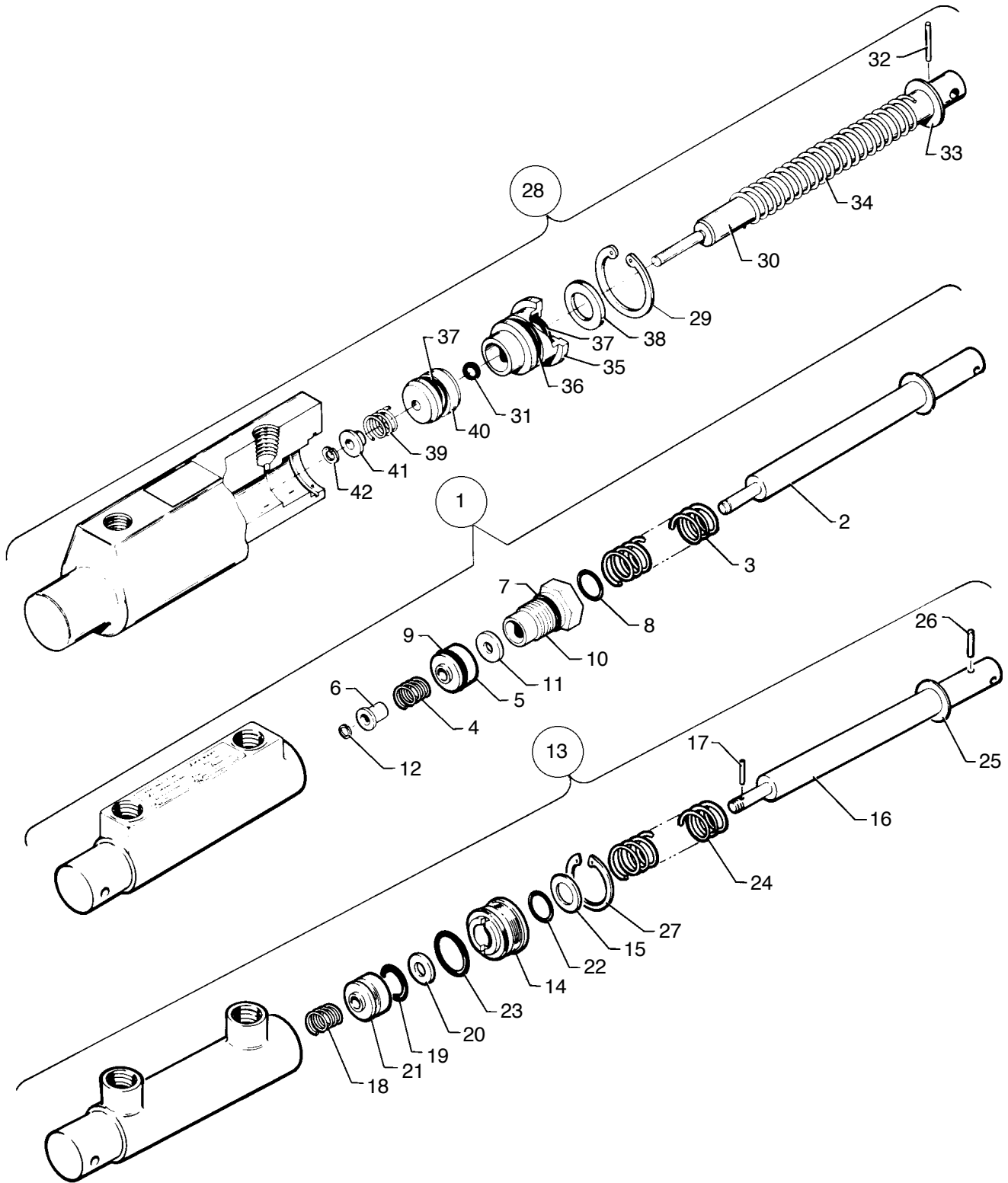


Figure 32. Toe Brake Master Cylinder Assembly

Reissued: September 15, 1994

**PIPER AIRCRAFT
PA-28-181
AIRPLANE PARTS CATALOG**

CODE EXPLANATIONS FOR FIGURE 32

A - No longer available. Order Master Cylinder Assembly 455 968 (Cleveland 10-30), or 455 944 (Gar Kenyon 17000) as a replacement.

**PIPER AIRCRAFT
PA-28-181
AIRPLANE PARTS CATALOG**

Figure and Index Number	Part Number	Code	Nomenclature	No. Req.	Serial Numbers Affected
32-1	455 944		CYLINDER ASSEMBLY - Master (17000) Gar-Kenyon	4	
-2	757 480		* PISTON ROD AND RING ASSEMBLY - (95404) includes spring retaining ring	1	
-3	762 276		* SPRING - (17005)	1	
-4	762 277		* SPRING - (17006)	1	
-5	757 479		* PISTON - (17003)	1	
-6	762 275		* SLEEVE - (17007)	1	
-7	752 584		* O-RING - (MS28775-113)	1	
-8	484 788		* O-RING - (MS28775-012)	1	
-9	752 585		* O-RING - (MS28775-110)	1	
-10	754 848		* FITTING - (17002)	1	
-11	494 177		* SEAL - (110-3/16)	1	
-12	762 531		* RING - Retaining (XRC-313)	1	
-13	455 948	A	CYLINDER ASSEMBLY - Master (10-27) Cleveland	4	
-14	755 028		* GLAND - Packing (141-01200)	1	
-15	756 621		* WASHER - Wiper (095-01300)	1	
-16	757 316		* PISTON ROD ASSEMBLY - (182-01100)	1	
-17	757 317		** ROLL PIN - (223-00600)	1	
-18	757 580		** SPRING - (082-02100)	1	
-19	756 016		** O-RING - (101-00800)	1	
-20	756 620		** WASHER - Seal (095-25200)	1	
-21	757 437		** PISTON - (148-01200)	1	
-22	756 017		* O-RING - (101-00700)	1	
-23	756 018		* O-RING - (101-01100)	1	
-24	756 118		* SPRING - (82-9)	1	
-25	756 622		* WASHER - (095-10100)	1	
-26	757 318		* ROLL PIN - (223-00500)	1	
-27	756 019		* RETAINING RING - (155-01200)	1	
-28	455 968		CYLINDER ASSEMBLY - Master (10-30) Cleveland	4	
-29	762 587		* RING - Snap (155-47)	1	
-30	763 451		* PISTON ROD ASSEMBLY - (182-22)	1	
-31	762 585		** O-RING - (101-1)	1	
-32	757 318		** ROLL PIN - (223-00500)	1	
-33	756 622		** WASHER - (095-10100)	1	
-34	756 118		** SPRING - (82-9)	1	
-35	755 082		** GLAND - Packing (141-25)	1	
-36	756 018		** O-RING - (101-01100)	1	
-37	756 016		** O-RING - (101-00800)	2	
-38	756 621		** WASHER - Wiper (095-01300)	1	
-39	757 580		** SPRING - (082-02100)	1	
-40	763 450		** PISTON - (148-25)	1	
-41	758 457		** BUSHING - (145-58)	1	
-42	762 586		** RING - Snap (T5304-15)	1	

When ordering, always specify Part Number, Description, and Serial Number of Aircraft

Reissued: September 15, 1994

1F11

Island Enterprises

**PIPER AIRCRAFT
PA-28-181
AIRPLANE PARTS CATALOG**

THIS PAGE INTENTIONALLY LEFT BLANK

PIPER AIRCRAFT
PA-28-181
AIRPLANE PARTS CATALOG

See Figure 33B for Interior Panels and Window Reveals
on serial numbers 2890206 and up.

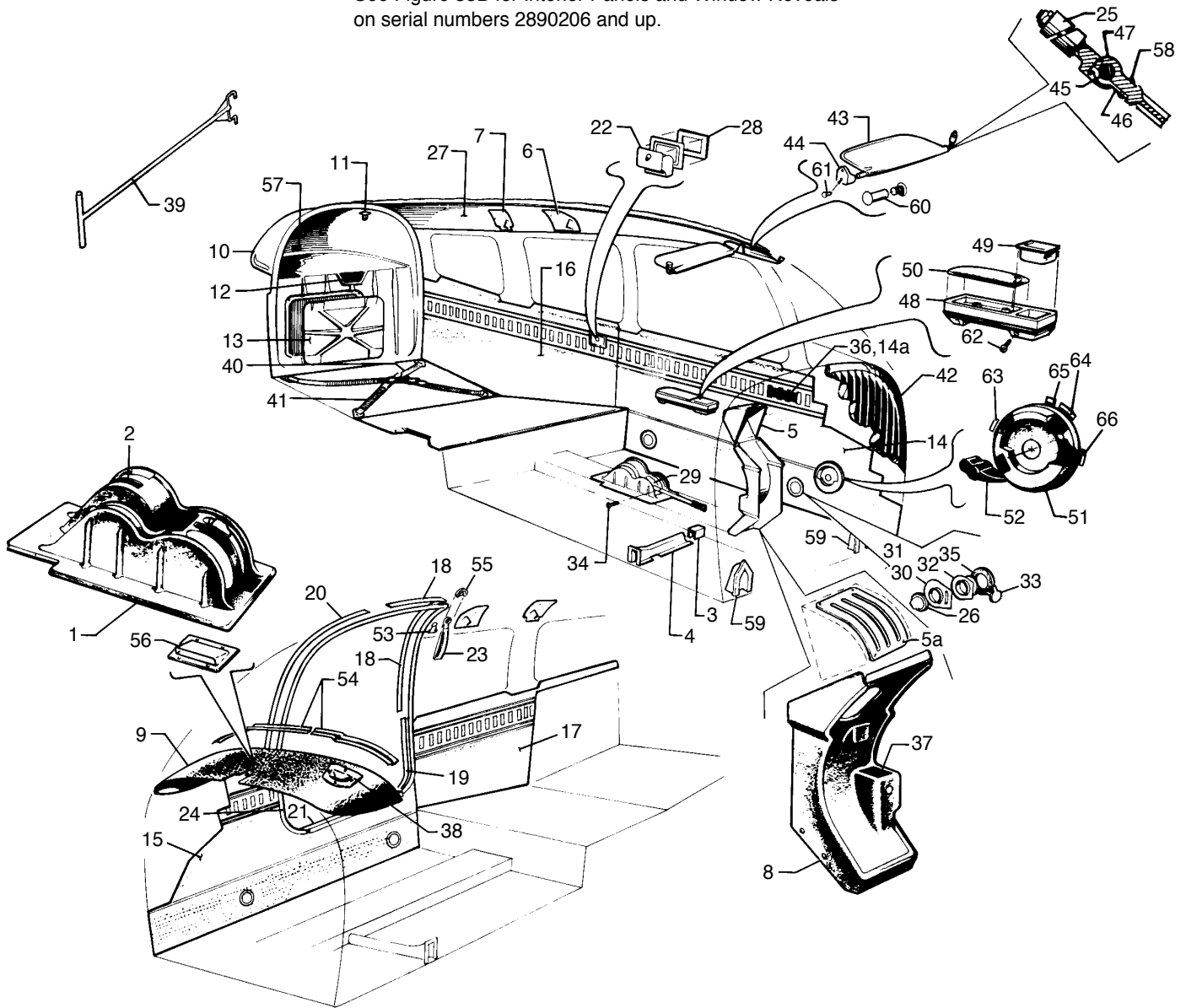


Figure 33. Cockpit Finishing Installation
(See Code T)

Reissued: September 15, 1994

**PIPER AIRCRAFT
PA-28-181
AIRPLANE PARTS CATALOG**

CODE EXPLANATIONS FOR FIGURE 33

- A - When ordering, specify color.
- B - When ordering, specify color.
- C - When ordering, specify color.
- D - Used on serial numbers 28-7690001 to 28-7690067, 28-7690069 to 28-7690146, 28-7690148 to 28-7690209, 28-7690211 to 28-7690347, 28-7690349 to 28-7690479 inclusive.
- E - Used on serial numbers 28-7690068, 28-7690147, 28-7690210, 28-7690348, 28-7790001 to 28-7990626 inclusive.
- F - When ordering, specify color.
- G - When ordering, specify color and material.
- H - Used if shoulder harness has been installed.
- J - Used if air conditioning is not installed.
- K - Used if air conditioning is installed.
- L - Used if fixed shoulder harnesses are installed.
- M - Used if shoulder belts with inertia reel are installed.
- N - Used if Luxurious Interior is not installed.
- P - Used on serial numbers 28-8190219 and up. Also used on serial numbers 28-8190001 to 28-8190218 inclusive if Luxurious Interior is installed.
- Q - Used on serial numbers 28-8190219 to 28-8290188 inclusive. Also used on serial numbers 28-8090001 to 28-8190218 inclusive if Luxurious Interior is installed.
- R - Used on serial numbers 28-8190219 to 28-8290188 inclusive. Also used on serial numbers 28-8190001 to 28-8190218 inclusive if Luxurious Interior is installed.
- S - Used on serial numbers 28-8190219 and up. Also used on serial numbers 28-8090001 to 28-8190218 inclusive if Luxurious Interior is installed.
- T - See Figure 33B for Interior Panels and Window Reveals on serial numbers 2890206 and up.

PIPER AIRCRAFT

PA-28-181

AIRPLANE PARTS CATALOG

Figure and Index Number	Part Number	Code	Nomenclature	No. Req.	Serial Numbers Affected
33-	76109		DRAWING - Cockpit Finishing Installation		28-7690001 to 28-7690479 incl.
	79768		DRAWING - Cockpit Finishing Installation		28-7790001 and up
	66991		DRAWING - Sun Visor Installation		28-7790001 and up
	84278		DRAWING - Interior Installation		2890206 and up
-1	67785-17	A	COVER ASSEMBLY - Flap handle	1	
-2	67786-00		PLACARD - Stabilator trim	1	
-3	63144-00		COVER - Fuselage frame, inboard, Sta. 73.04	1	
-4	65674-07		COVER ASSEMBLY - Fuselage frame, Sta. 73.04, red	2	28-7690001 to 28-7690479 incl.
	65674-05		COVER ASSEMBLY - Fuselage frame, Sta. 73.04, brown	2	28-7690001 to 28-7690479 incl.
	65674-09		COVER ASSEMBLY - Fuselage frame, Sta. 73.04, black	2	28-7690001 to 28-7690479 incl.
	65674-11		COVER ASSEMBLY - Fuselage frame, Sta. 73.04, green	2	28-7690001 to 28-7690479 incl.
	65674-13		COVER ASSEMBLY - Fuselage frame, Sta. 73.04, blue/green	2	28-7690001 to 28-7690479 incl.
	65674-15	B	COVER ASSEMBLY - Fuselage frame, Sta. 73.04	2	
-5	67232-12		COVER ASSEMBLY - Engine controls, red	1	28-7690001 to 28-7690479 incl.
	67232-13		COVER ASSEMBLY - Engine controls, tan	1	28-7690001 to 28-7690479 incl.
	67232-15		COVER ASSEMBLY - Engine controls, black	1	28-7690001 to 28-7690479 incl.
	67232-22		COVER ASSEMBLY - Engine controls, white	1	28-7690001 to 28-7690479 incl.
	67232-21		COVER ASSEMBLY - Engine controls, green	1	28-7690001 to 28-7690479 incl.
	67232-25		COVER ASSEMBLY - Engine controls, blue/green	1	28-7690001 to 28-7690479 incl.
	67232-40	C	COVER ASSEMBLY - Engine controls	1	28-7790001 to 2890205 incl.
	67232-47		COVER ASSEMBLY - Engine controls	1	2890206 and up
-5a	65846-00		* PLACARD - Engine controls	1	
	84967-174		* DECAL - Engine controls	1	2890206 and up
-6	78054-02		COVER ASSEMBLY - Shoulder harness, forward, left	1	
	99801-02		COVER ASSEMBLY - Shoulder harness, forward, right	1	
-7	99920-02	H	COVER - Shoulder harness, rear, left	1	
	99920-03	H	COVER - Shoulder harness, rear, right	1	
-8	67330-10	A	COVER - Console	1	
	67330-12		COVER - Console	1	2890206 and up
-9	67325-00		COVER - Cowl deck (Fabric)	1	
	84277-62		COVER - Cowl deck (ABS)	1	2890206 and up
-10	79836-02	J	BULKHEAD ASSEMBLY - Rear cabin	1	28-7690001 to 28-8090066 incl.
	36589-02	K	BULKHEAD ASSEMBLY - Rear cabin	1	28-7690001 to 28-8090066 incl.
	79836-02		BULKHEAD ASSEMBLY - Rear cabin	1	28-8090067 to 2890205 incl.
	79836-04		BULKHEAD ASSEMBLY - Rear cabin	1	2890206 and up
-11	487 629		* STUD ASSEMBLY - (KM894-1A)	1	
-12	66996-00	D	PLACARD - Baggage limitation	1	
	69669-151	E	PLACARD - Baggage limitation	1	
-13	79445-00		DOOR ASSEMBLY - Access cover	1	
-14	579 722		PANEL ASSEMBLY - Left front cockpit, red	1	28-7690001
	579 740		PANEL ASSEMBLY - Left front cockpit, red	1	28-7690002 to 28-7690479 incl.
	579 723		PANEL ASSEMBLY - Left front cockpit, blue/green	1	28-7690001
	579 741		PANEL ASSEMBLY - Left front cockpit, blue/green	1	28-7690002 to 28-7690479 incl.
	579 724		PANEL ASSEMBLY - Left front cockpit, gold	1	28-7690001
	579 742		PANEL ASSEMBLY - Left front cockpit, gold	1	28-7690002 to 28-7690479 incl.
	579 725		PANEL ASSEMBLY - Left front cockpit, black	1	28-7690001
	579 743		PANEL ASSEMBLY - Left front cockpit, black	1	28-7690002 to 28-7690479 incl.
	579 727		PANEL ASSEMBLY - Left front cockpit, green	1	28-7690001
	579 745		PANEL ASSEMBLY - Left front cockpit, green	1	28-7690002 to 28-7690479 incl.
	580 743		PANEL ASSEMBLY - Left front cockpit, mushroom/black (with black carpet)	1	28-7790001 to 28-7790607 incl.
	580 725		PANEL ASSEMBLY - Left front cockpit, mushroom/black (with heather carpet)	1	28-7790001 to 28-7790607 incl.

When ordering, always specify Part Number, Description, and Serial Number of Aircraft

Reissued: September 15, 1994

**PIPER AIRCRAFT
PA-28-181
AIRPLANE PARTS CATALOG**

Figure and Index Number	Part Number	Code	Nomenclature	No. Req.	Serial Numbers Affected
33-14	580 796		PANEL ASSEMBLY - Left front cockpit, camel/black (with black carpet)	1	28-7790001 to 28-7790607 incl.
	580 795		PANEL ASSEMBLY - Left front cockpit, camel/black (with heather carpet)	1	28-7790001 to 28-7790607 incl.
	579 416	N	PANEL ASSEMBLY - Left front cockpit, camel/black (with heather carpet)	1	28-7890001 to 28-8190218 incl.
	579 417		PANEL ASSEMBLY - Left front cockpit, camel/black (with black carpet)	1	28-7890001 to 28-8090382 incl.
	579 485		PANEL ASSEMBLY - Left front cockpit, firethorn red (with raspberry carpet)	1	28-8090001 to 28-8090382 incl.
	579 380	S	PANEL ASSEMBLY - Left front cockpit, firethorn red (with firethorn red carpet)	1	
	579 287	N	PANEL ASSEMBLY - Left front cockpit, firethorn red (with heather carpet)	1	28-8190001 to 28-8190218 incl.
	680 096		PANEL ASSEMBLY - Left front cockpit, red (vinyl) (with dark carmine carpet)	1	28-8390001 and up
	579 486		PANEL ASSEMBLY - Left front cockpit, buckskin (with brown carpet)	1	28-8090001 to 28-8090382 incl.
	579 381	Q	PANEL ASSEMBLY - Left front cockpit, buckskin (with medium saddle carpet)	1	
	680 098		PANEL ASSEMBLY - Left front cockpit, light buckskin (vinyl) (with dark saddle carpet)	1	28-8390001 and up
	579 487	S	PANEL ASSEMBLY - Left front cockpit, dark blue (with dark blue carpet)	1	
	579 288	N	PANEL ASSEMBLY - Left front cockpit, dark blue (with heather carpet)	1	28-8190001 to 28-8190218 incl.
	680 126		PANEL ASSEMBLY - Left front cockpit, light blue (velour) (with light blue carpet)	1	28-8390001 and up
	680 097		PANEL ASSEMBLY - Left front cockpit, blue (vinyl) (with light blue carpet)	1	28-8390001 and up
	579 296	P	PANEL ASSEMBLY - Left front cockpit, dark cedar (with dark cedar carpet) knit	1	
	579 106		PANEL ASSEMBLY - Left front cockpit, dark cedar (with dark cedar carpet) velour	1	28-8290001 and up
	579 104		PANEL ASSEMBLY - Left front cockpit, dark carmine (with dark carmine carpet) velour	1	28-8290001 and up
	579 105		PANEL ASSEMBLY - Left front cockpit, sandalwood (with dark saddle carpet) fabric	1	28-8290001 and up
	680 095		PANEL ASSEMBLY - Left front cockpit, dark saddle (fabric) (with dark saddle carpet)	1	28-8390001 and up
-14a	79884-03		* PLATE - Placard attachment, left	1	28-7890001 to 28-7990626 incl.
-15	579 685		PANEL ASSEMBLY - Right front cockpit, red	1	28-7690001
	579 626		PANEL ASSEMBLY - Right front cockpit, red	1	28-7690002 to 28-7690479 incl.
	579 686		PANEL ASSEMBLY - Right front cockpit, blue/green	1	28-7690001
	579 627		PANEL ASSEMBLY - Right front cockpit, blue/green	1	28-7690002 to 28-7690479 incl.
	579 687		PANEL ASSEMBLY - Right front cockpit, gold	1	28-7690001
	579 628		PANEL ASSEMBLY - Right front cockpit, gold	1	28-7690002 to 28-7690479 incl.
	579 688		PANEL ASSEMBLY - Right front cockpit, black	1	28-7690001
	579 629		PANEL ASSEMBLY - Right front cockpit, black	1	28-7690002 to 28-7690479 incl.
	579 690		PANEL ASSEMBLY - Right front cockpit, green	1	28-7690001
	579 630		PANEL ASSEMBLY - Right front cockpit, green	1	28-7690002 to 28-7690479 incl.
	580 737		PANEL ASSEMBLY - Right front cockpit, mushroom/black (with black carpet)	1	28-7790001 to 28-7790607 incl.
	580 726		PANEL ASSEMBLY - Right front cockpit, mushroom/black (with heather carpet)	1	28-7790001 to 28-7790607 incl.
	580 781		PANEL ASSEMBLY - Right front cockpit, camel/black (with black carpet)	1	28-7790001 to 28-8090382 incl.

When ordering, always specify Part Number, Description, and Serial Number of Aircraft

**PIPER AIRCRAFT
PA-28-181
AIRPLANE PARTS CATALOG**

Figure and Index Number	Part Number	Code	Nomenclature	No. Req.	Serial Numbers Affected
33-15	580 780	N	PANEL ASSEMBLY - Right front cockpit, camel/black (with heather carpet)	1	28-7790001 to 28-8190218 incl.
	579 412	R	PANEL ASSEMBLY - Right front cockpit, white/camel/black (with heather carpet)	1	
	579 342		PANEL ASSEMBLY - Right front cockpit, firethorn red (with raspberry carpet)	1	28-8090001 to 28-8090382 incl.
	579 276	N	PANEL ASSEMBLY - Right front cockpit, firethorn red (with heather carpet)	1	28-8190001 to 28-8190218 incl.
	579 270	R	PANEL ASSEMBLY - Right front cockpit, firethorn red (with heather carpet)	1	
	579 370	S	PANEL ASSEMBLY - Right front cockpit, firethorn red (with firethorn red carpet)	1	
	680 059		PANEL ASSEMBLY - Right front cockpit, red (vinyl) (with dark carmine carpet)	1	28-8390001 and up
	579 343		PANEL ASSEMBLY - Right front cockpit, buckskin (with brown carpet)	1	28-8090001 to 28-8090382 incl.
	579 371	Q	PANEL ASSEMBLY - Right front cockpit, buckskin (with medium saddle carpet)	1	
	680 061		PANEL ASSEMBLY - Right front cockpit, light buckskin (vinyl) (with dark saddle carpet)	1	28-8390001 and up
	579 277	N	PANEL ASSEMBLY - Right front cockpit, dark blue (with heather carpet)	1	28-8190001 to 28-8190218 incl.
	579 354		PANEL ASSEMBLY - Right front cockpit, dark blue (with dark blue carpet) (luxurious)	1	28-8090001 to 28-8090382 incl.
	579 201	P	PANEL ASSEMBLY - Right front cockpit, dark blue (with dark blue carpet)	1	
	579 271	R	PANEL ASSEMBLY - Right front cockpit, dark blue (with heather carpet)	1	
	680 119		PANEL ASSEMBLY - Right front cockpit, light blue (velour) (with light blue carpet)	1	28-8390001 and up
	680 060		PANEL ASSEMBLY - Right front cockpit, blue (vinyl) (with light blue carpet)	1	28-8390001 and up
	579 269	P	PANEL ASSEMBLY - Right front cockpit, dark cedar (knit) (with dark cedar carpet)	1	
	579 088		PANEL ASSEMBLY - Right front cockpit, dark cedar (velour) (with dark cedar carpet)	1	28-8290001 and up
	579 086		PANEL ASSEMBLY - Right front cockpit, dark carmine (velour) (with dark carmine carpet)	1	28-8290001 and up
	579 087		PANEL ASSEMBLY - Right front cockpit, sandalwood (fabric) (with dark saddle carpet)	1	28-8290001 and up
	680 058		PANEL ASSEMBLY - Right front cockpit, dark saddle (fabric) (with dark saddle carpet)	1	28-8390001 and up
-16	579 913		PANEL ASSEMBLY - Left rear cockpit, red	1	28-7690001 to 28-7690479 incl.
	579 912		PANEL ASSEMBLY - Left rear cockpit, blue/green	1	28-7690001 to 28-7690479 incl.
	579 911		PANEL ASSEMBLY - Left rear cockpit, gold	1	28-7690001 to 28-7690479 incl.
	579 910		PANEL ASSEMBLY - Left rear cockpit, black	1	28-7690001 to 28-7690479 incl.
	579 908		PANEL ASSEMBLY - Left rear cockpit, green	1	28-7690001 to 28-7690479 incl.
	580 711		PANEL ASSEMBLY - Left rear cockpit, mushroom/black	1	28-7790001 to 28-7790607 incl.
	580 779	N	PANEL ASSEMBLY - Left rear cockpit, camel/black	1	28-7790001 to 28-8190218 incl.
	579 411	R	PANEL ASSEMBLY - Left rear cockpit, white/camel/black	1	
	579 264	N	PANEL ASSEMBLY - Left rear cockpit, firethorn red	1	28-8190001 to 28-8190218 incl.
	579 267	R	PANEL ASSEMBLY - Left rear cockpit, firethorn red (vinyl)	1	
	579 340	S	PANEL ASSEMBLY - Left rear cockpit, firethorn red (fabric)	1	
	680 055		PANEL ASSEMBLY - Left rear cockpit, red (vinyl)	1	28-8390001 and up
	579 341	Q	PANEL ASSEMBLY - Left rear cockpit, buckskin (fabric)	1	
	680 057		PANEL ASSEMBLY - Left rear cockpit, light buckskin (vinyl)	1	28-8390001 and up

When ordering, always specify Part Number, Description, and Serial Number of Aircraft

Reissued: September 15, 1994

**PIPER AIRCRAFT
PA-28-181
AIRPLANE PARTS CATALOG**

Figure and Index Number	Part Number	Code	Nomenclature	No. Req.	Serial Numbers Affected
33-16	579 265	N	PANEL ASSEMBLY - Left rear cockpit, dark blue	1	28-8190001 to 28-8190218 incl.
	579 268	R	PANEL ASSEMBLY - Left rear cockpit, dark blue (vinyl)	1	
	579 317	S	PANEL ASSEMBLY - Left rear cockpit, dark blue (fabric)	1	
	680 118		PANEL ASSEMBLY - Left rear cockpit, light blue (velour)	1	28-8390001 and up
	680 056		PANEL ASSEMBLY - Left rear cockpit, blue (vinyl)	1	28-8390001 and up
	579 266	P	PANEL ASSEMBLY - Left rear cockpit, dark cedar (knit)	1	
	579 085		PANEL ASSEMBLY - Left rear cockpit, dark cedar (velour)	1	28-8290001 and up
	579 083		PANEL ASSEMBLY - Left rear cockpit, dark carmine (velour)	1	28-8290001 and up
	579 084		PANEL ASSEMBLY - Left rear cockpit, sandalwood (fabric)	1	28-8290001 and up
	680 054		PANEL ASSEMBLY - Left rear cockpit, dark saddle (fabric)	1	28-8390001 and up
-17	579 877		PANEL ASSEMBLY - Right rear cockpit, red	1	28-7690001 to 28-7690479 incl.
	579 876		PANEL ASSEMBLY - Right rear cockpit, blue/green	1	28-7690001 to 28-7690479 incl.
	579 875		PANEL ASSEMBLY - Right rear cockpit, gold	1	28-7690001 to 28-7690479 incl.
	579 874		PANEL ASSEMBLY - Right rear cockpit, black	1	28-7690001 to 28-7690479 incl.
	579 872		PANEL ASSEMBLY - Right rear cockpit, green	1	28-7690001 to 28-7690479 incl.
	580 715		PANEL ASSEMBLY - Right rear cockpit, mushroom/black	1	28-7790001 to 28-7790607 incl.
	580 784	N	PANEL ASSEMBLY - Right rear cockpit, camel/black	1	28-7790001 to 28-8190218 incl.
	579 413	R	PANEL ASSEMBLY - Right rear cockpit, white/camel/black	1	
	579 346		PANEL ASSEMBLY - Right rear cockpit, firethorn red	1	28-8090001 to 28-8090382 incl.
	579 280	N	PANEL ASSEMBLY - Right rear cockpit, firethorn red	1	28-8190001 to 28-8190218 incl.
	579 285	R	PANEL ASSEMBLY - Right rear cockpit, firethorn red (vinyl)	1	
	579 282	P	PANEL ASSEMBLY - Right rear cockpit, firethorn red (fabric)	1	
	680 077		PANEL ASSEMBLY - Right rear cockpit, red (vinyl)	1	28-8390001 and up
	579 347		PANEL ASSEMBLY - Right rear cockpit, buckskin	1	28-8090001 to 28-8090382 incl.
	579 283	R	PANEL ASSEMBLY - Right rear cockpit, buckskin	1	
	680 079		PANEL ASSEMBLY - Right rear cockpit, light buckskin (vinyl)	1	
	579 281	N	PANEL ASSEMBLY - Right rear cockpit, dark blue	1	28-8190001 to 28-8190218 incl.
	579 286	R	PANEL ASSEMBLY - Right rear cockpit, dark blue (vinyl)	1	
	579 356	S	PANEL ASSEMBLY - Right rear cockpit, dark blue (velour)	1	
	680 122		PANEL ASSEMBLY - Right rear cockpit, light blue (velour)	1	28-8390001 and up
	680 078		PANEL ASSEMBLY - Right rear cockpit, blue (vinyl)	1	28-8390001 and up
	579 284	P	PANEL ASSEMBLY - Right rear cockpit, dark cedar (knit)	1	
	579 121		PANEL ASSEMBLY - Right rear cockpit, dark cedar (velour)	1	28-8290001 and up
	579 119		PANEL ASSEMBLY - Right rear cockpit, dark carmine (velour)	1	28-8290001 and up
	579 120		PANEL ASSEMBLY - Right rear cockpit, sandalwood (fabric)	1	28-8290001 and up
	680 076		PANEL ASSEMBLY - Right rear cockpit, dark saddle (fabric)	1	28-8390001 and up
-18	63142-39		TRIM STRIP - Door frame, side rear	1	28-7690001
	63142-55		TRIM STRIP - Door frame, top rear	1	28-7690002 and up
-19	63142-56		TRIM STRIP - Door frame, bottom rear	1	28-7690002 and up
-20	63142-48		TRIM STRIP - Door frame, front	1	28-7690001
	63142-51		TRIM STRIP - Door frame, front	1	28-7690002 and up
-21	76191-00		SILL - Door	1	28-7690001
	76191-02		SILL - Door	1	28-7690002 and up
-22	489 388		ASH RECEIVER - (Complete) chrome (2A20580)	2	
-23	79455-00		LOOP RECEIVER - Assist, white	1	
-24	69403-03		WINDLACING - Door seal, white	1	
-25	65869-00		BEARING - Sun visor	2	
-26	65735-18	F	CUP - Air vent	4	
-27	76462-00		HEADLINER - Cockpit (464 385)	1	
-28	65269-02		DOUBLER - Ash tray	2	
-29	65672-05		SHIELD - Flap handle cover	1	
-30	65735-19	F	FLANGE - Air vent	4	
-31	68416-02		VENT ASSEMBLY - Air, forward, left (complete)	1	
	68416-03		VENT ASSEMBLY - Air, forward, right (complete)	1	
	68556-00		VENT ASSEMBLY - Air, aft, left (complete)	1	
	68556-01		VENT ASSEMBLY - Air, aft, right (complete)	1	

When ordering, always specify Part Number, Description, and Serial Number of Aircraft

PIPER AIRCRAFT

PA-28-181

AIRPLANE PARTS CATALOG

Figure and Index Number	Part Number	Code	Nomenclature	No. Req.	Serial Numbers Affected
33-32	68671-00		* VALVE ASSEMBLY - Air vent	1	
-33	68499-04		* SHAFT ASSEMBLY - Air vent valve, left	1	
	68499-05		* SHAFT ASSEMBLY - Air vent valve, right	1	
-34	15086-00		SCREW - Self tapping (4 x 1/4) (486 187)	2	
-35	68584-00		GASKET - Air vent assembly	4	
-36	69669-32		PLACARD - Aircraft limitations, mph	1	28-7690001 to 28-7690479 incl.
	69669-76	D	PLACARD - Aircraft limitations, knots	1	
	69669-144	E	PLACARD - Aircraft limitations, knots	1	
	35669-135		PLACARD - Aircraft limitations, knots	1	28-8090001 and up
-37	65219-00		PLACARD - Rudder trim	1	
	84967-175		PLACARD - Rudder trim	1	2890206 and up
-38	67235-00		GRIP - Handhold	2	28-7690001 to 28-7690479 incl.
-39	99458-00		TOW BAR ASSEMBLY	1	
-40	66804-00		STRAP ASSEMBLY - Baggage tie down (tip end), black	2	
-41	66805-00		STRAP ASSEMBLY - Baggage tie down (buckle end), black	2	
-42	99818-02		BLANKET ASSEMBLY - Firewall	1	
-43	65866-00		BLADE - Sun visor	2	28-7690001 to 28-7690479 incl.
	79785-02		BLADE - Sun visor, pilot	1	28-7790001 and up
	65866-00		BLADE - Sun visor, copilot	1	28-7790001 and up
-44	65865-00		RETAINER - Sun visor	2	
-45	65867-00		ROD - Sun visor	2	
-46	65871-00		CLIP - Sun visor, lower left and upper right	2	
-47	65870-00		CLIP - Sun visor, upper left and lower right	2	
-48	66710-16		HOLDER ASSEMBLY - Armrest	1	
-49	763 003		* BOX ASSEMBLY - Ash tray (S-25-AR-C)	1	
-50	66710-44	G	PAD - Armrest	1	
-51	99635-09	F	COVER ASSEMBLY - Fuel selector	1	
-52	99181-03		HANDLE ASSEMBLY - Fuel selector valve	1	
-53	76221-00	L	CLIP - Shoulder harness retaining	4	28-8190001 to 28-8290188 incl.
	76221-00	M	CLIP - Shoulder harness retaining	1	
-54	99967-00		RETAINER - Glareshield, left	1	
	99968-00		RETAINER - Glareshield, right	1	
-55	79456-00		CAP - Assist strap	1	
-56	79404-00		COVER - Trim, radio cooling	1	
-57	66787-00		PLACARD - Cabin bulkhead	1	
-58	415 376		SCREW - (MS51957-27)	4	
	477 696		NUT - Dome (8061-NP)	4	
-59	78735-02		COVER - Rudder pedal stop bracket	2	28-7890547 and up
-60	36588-04		SCREW AND POST ASSEMBLY - Retainer	1	
-61	484 691		RIVET - Plastic (201-120751-00-0103)	2	
-62	419 594		SCREW - (AN530-10R36)	2	
-63	99184-02		PLACARD - Fuel off	1	
-64	99184-05		PLACARD - Fuel	1	
-65	99184-07		PLACARD - Left tank	1	
-66	99184-08		PLACARD - Right tank	1	

When ordering, always specify Part Number, Description, and Serial Number of Aircraft

Reissued: September 15, 1994

**PIPER AIRCRAFT
PA-28-181
AIRPLANE PARTS CATALOG**

THIS PAGE INTENTIONALLY LEFT BLANK

PIPER AIRCRAFT
PA-28-181
AIRPLANE PARTS CATALOG

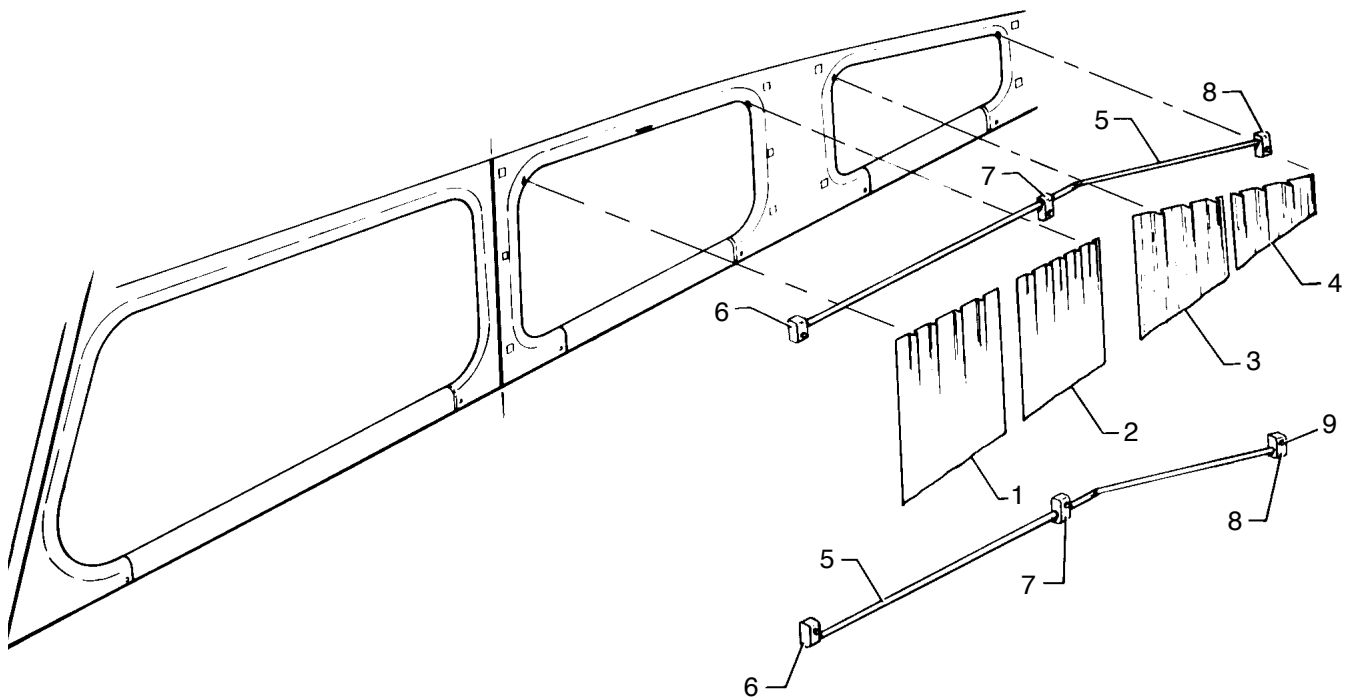


Figure 33A. Window Curtains Installation
(Serial numbers 28-8090001 and up)

Reissued: September 15, 1994

1F21

Island Enterprises

**PIPER AIRCRAFT
PA-28-181
AIRPLANE PARTS CATALOG**

CODE EXPLANATIONS FOR FIGURE 33A

Reissued: September 15, 1994

1F22

Island Enterprises

**PIPER AIRCRAFT
PA-28-181
AIRPLANE PARTS CATALOG**

Figure and Index Number	Part Number	Code	Nomenclature	No. Req.	Serial Numbers Affected
33A-	67955		DRAWING - Curtain and Rod Installation		
-1	67968-12		CURTAIN ASSEMBLY - Window, center front, left	1	
	67968-13		CURTAIN ASSEMBLY - Window, center front, right	1	
-2	67968-14		CURTAIN ASSEMBLY - Window, center rear, left	1	
	67968-15		CURTAIN ASSEMBLY - Window, center rear, right	1	
-3	67968-16		CURTAIN ASSEMBLY - Window, rear, left	1	
	67968-17		CURTAIN ASSEMBLY - Window, rear, right	1	
-4	67968-18		CURTAIN ASSEMBLY - Window, rear, left	1	
	67968-19		CURTAIN ASSEMBLY - Window, rear, right	1	
-5	67969-15		ROD - Window curtain	4	
-6	67969-02		BRACKET - Curtain rod attachment, front	4	
-7	67969-04		BRACKET - Curtain rod attachment, center	4	
-8	67969-03		BRACKET - Curtain rod attachment, rear	4	
-9	415 539		SCREW - (MS35206-249)	12	
	477 778		NUT - (PS10062-6-2)	12	

When ordering, always specify Part Number, Description, and Serial Number of Aircraft

Reissued: September 15, 1994

**PIPER AIRCRAFT
PA-28-181
AIRPLANE PARTS CATALOG**

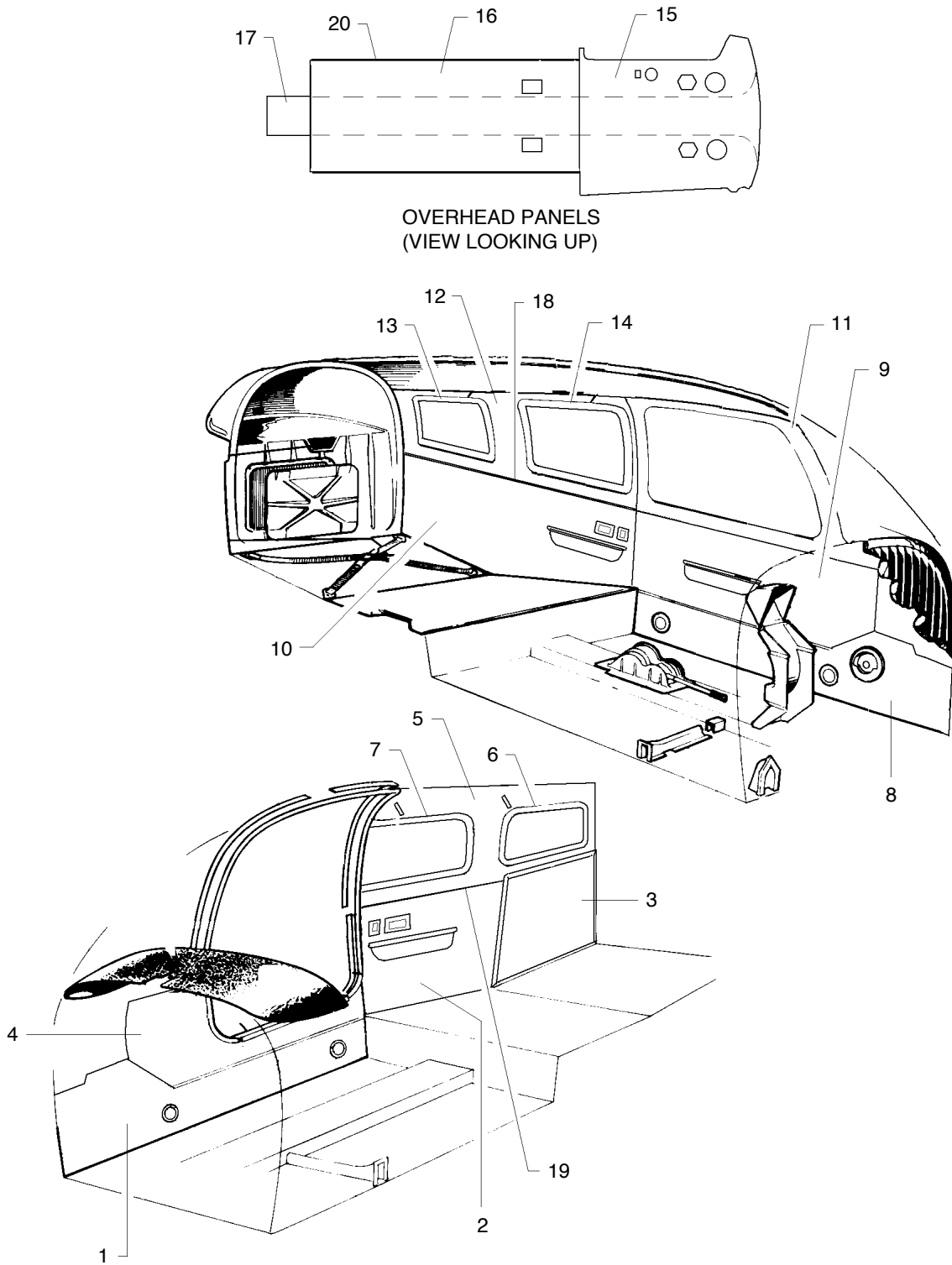


Figure 33B. Interior Panels
(Serial numbers 2890206 and up)

Reissued: September 15, 1994

1F24

Island Enterprises

**PIPER AIRCRAFT
PA-28-181
AIRPLANE PARTS CATALOG**

CODE EXPLANATIONS FOR FIGURE 33B

A - Used if air conditioning is installed.

Reissued: September 15, 1994

1G1

Island Enterprises

**PIPER AIRCRAFT
PA-28-181
AIRPLANE PARTS CATALOG**

Figure and Index Number	Part Number	Code	Nomenclature	No. Req.	Serial Numbers Affected
33B-	84278		DRAWING - Interior Installation		2890206 and up
-1	84277-10		PANEL ASSEMBLY - Cockpit, right side, lower	1	
-2	84277-05		PANEL ASSEMBLY - Right side, lower	1	
	85210-06		* SWITCH ASSEMBLY	1	
	688 374		** SWITCH	1	
	85210-70		** COVER - Switch	1	
	69669-200		** PLACARD - (683 307)	1	
	584 402		* ASH TRAY	1	
-3	84277-16		PANEL ASSEMBLY - Baggage door	1	
-4	84277-15		PANEL ASSEMBLY - Right side, middle	1	
-5	84277-04		PANEL ASSEMBLY - Right side, upper	1	
	89567-02		* BEZEL - Shoulder harness	2	
	76221-00		* CLIP - Shoulder harness	1	
-6	84277-20		REVEAL ASSEMBLY - Window, right side, aft	1	
-7	84277-19		REVEAL ASSEMBLY - Window, right side, forward	1	
-8	84277-09		PANEL ASSEMBLY - Cockpit, left side, lower	1	
-9	84277-11		PANEL ASSEMBLY - Left side, middle	1	
	84277-24		* ARMREST ASSEMBLY	1	
-10	84277-07		PANEL ASSEMBLY - Left side, lower	1	
	85210-06		* SWITCH ASSEMBLY	1	
	688 374		** SWITCH	1	
	85210-70		** COVER - Switch	1	
	69669-200		** PLACARD - (683 307)	1	
	584 402		* ASH TRAY	1	
-11	84277-08		PANEL ASSEMBLY - Pilot side window	1	
-12	84277-06		PANEL ASSEMBLY - Left side, upper	1	
	89567-02		* BEZEL - Shoulder harness	2	
-13	84277-22		REVEAL ASSEMBLY - Window, left side, aft	1	
-14	84277-21		REVEAL ASSEMBLY - Window, left side, forward	1	
-15	83396-02		PANEL ASSEMBLY - Overhead	1	
	83396-03	A	PANEL ASSEMBLY - Overhead	1	
-16	84277-26		PANEL ASSEMBLY - Headliner	1	
	84277-03	A	PANEL ASSEMBLY - Headliner	1	
-17	84277-73		DUCT - Overhead	1	
-18	85365-10		EXTRUSION	1	
-19	85365-11		EXTRUSION	1	
-20	85365-09		EXTRUSION	2	

When ordering, always specify Part Number, Description, and Serial Number of Aircraft

Reissued: September 15, 1994

1G2

Island Enterprises

**PIPER AIRCRAFT
PA-28-181
AIRPLANE PARTS CATALOG**

THIS PAGE INTENTIONALLY LEFT BLANK

Reissued: September 15, 1994

1G3

Island Enterprises

PIPER AIRCRAFT
PA-28-181
AIRPLANE PARTS CATALOG

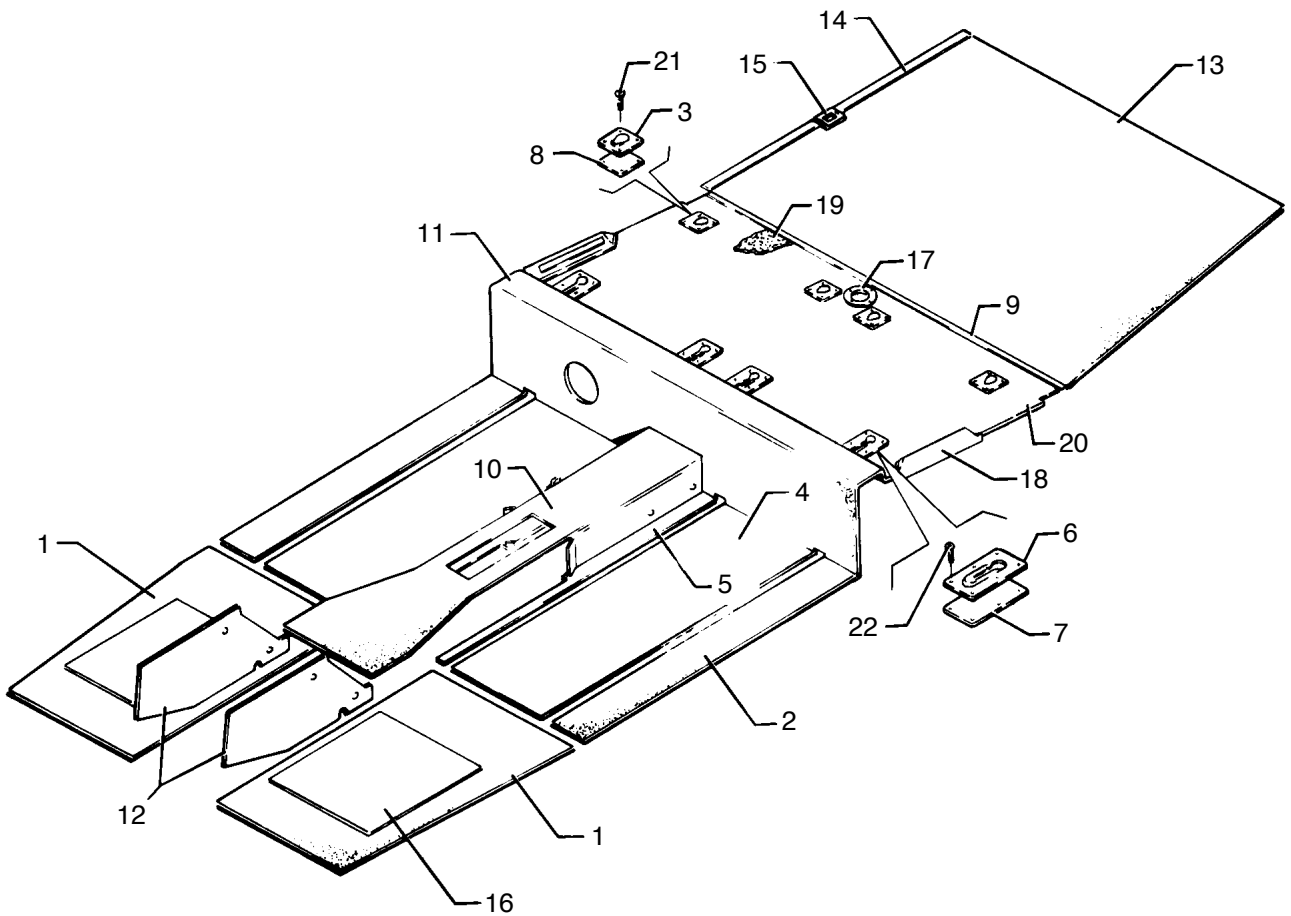


Figure 34. Carpet Installation

Reissued: September 15, 1994

**PIPER AIRCRAFT
PA-28-181
AIRPLANE PARTS CATALOG**

CODE EXPLANATIONS FOR FIGURE 34

- A - Used if sound reduction carpeting is installed.
- B - When ordering, specify color.

Reissued: September 15, 1994

**PIPER AIRCRAFT
PA-28-181
AIRPLANE PARTS CATALOG**

Figure and Index Number	Part Number	Code	Nomenclature	No. Req.	Serial Numbers Affected
34-	76109		DRAWING - Cockpit Finishing Installation		28-7690001 to 28-7690479 incl.
	79768		DRAWING - Cockpit Finishing Installation		28-7790001 and up
	66801		DRAWING - Baggage Compartment Carpet Installation		
	84278		DRAWING - Interior Installation		2890206 and up
-1	591 149		CARPET - Floor, front left, blue	1	28-7690001 to 28-7690479 incl.
	591 154		CARPET - Floor, front right, blue	1	28-7690001 to 28-7690479 incl.
	591 148		CARPET - Floor, front left, black	1	28-7690001 to 28-8090382 incl.
	591 153		CARPET - Floor, front right, black	1	28-7690001 to 28-8090382 incl.
	591 151		CARPET - Floor, front left, green	1	28-7690001 to 28-7690479 incl.
	591 156		CARPET - Floor, front right, green	1	28-7690001 to 28-7690479 incl.
	591 545		CARPET - Floor, front left, heather	1	28-7790001 to 28-8290188 incl.
	591 547		CARPET - Floor, front right, heather	1	28-7790001 to 28-8290188 incl.
	591 216	A	CARPET - Floor, front left, red	1	28-7690001 to 28-7690479 incl.
	591 218	A	CARPET - Floor, front left, blue	1	28-7690001 to 28-7690479 incl.
	591 217	A	CARPET - Floor, front left, black	1	28-7690001 to 28-7690479 incl.
	591 220	A	CARPET - Floor, front left, green	1	28-7690001 to 28-7690479 incl.
	591 226	A	CARPET - Floor, front right, red	1	28-7690001 to 28-7690479 incl.
	591 228	A	CARPET - Floor, front right, blue	1	28-7690001 to 28-7690479 incl.
	591 227	A	CARPET - Floor, front right, black	1	28-7690001 to 28-7690479 incl.
	591 225	A	CARPET - Floor, front right, green	1	28-7690001 to 28-7690479 incl.
	591 147		CARPET - Floor, front left, red	1	28-7690001 to 28-7690479 incl.
	591 152		CARPET - Floor, front right, red	1	28-7690001 to 28-7690479 incl.
	79236-10	A,B	CARPET - Floor, front left	1	28-7790001 and up
	79236-11	A,B	CARPET - Floor, front right	1	28-7790001 and up
	591 700		CARPET - Floor, front left, palm	1	28-8090001 to 28-8090382 incl.
	591 704		CARPET - Floor, front right, palm	1	28-8090001 to 28-8090382 incl.
	591 702		CARPET - Floor, front left, raspberry	1	28-8090001 to 28-8090382 incl.
	591 706		CARPET - Floor, front right, raspberry	1	28-8090001 to 28-8090382 incl.
	591 703		CARPET - Floor, front left, brown	1	28-8090001 to 28-8090382 incl.
	591 707		CARPET - Floor, front right, brown	1	28-8090001 to 28-8090382 incl.
	591 827		CARPET - Floor, front left, dark blue	1	28-8090001 and up
	591 828		CARPET - Floor, front right, dark blue	1	28-8090001 and up
	592 098		CARPET - Floor, front left, light blue	1	28-8390001 and up
	592 099		CARPET - Floor, front right, light blue	1	28-8390001 and up
	591 903		CARPET - Floor, front left, firethorn red	1	28-8090001 and up
	591 905		CARPET - Floor, front right, firethorn red	1	28-8090001 and up
	591 904		CARPET - Floor, front left, medium saddle	1	28-8090001 to 28-8290188 incl.
	591 906		CARPET - Floor, front right, medium saddle	1	28-8090001 to 28-8290188 incl.
	591 964		CARPET - Floor, front left, dark cedar	1	28-8190001 and up
	591 965		CARPET - Floor, front right, dark cedar	1	28-8190001 and up
	592 038		CARPET - Floor, front left, dark carmine	1	28-8290001 and up
	592 040		CARPET - Floor, front right, dark carmine	1	28-8290001 and up
	592 039		CARPET - Floor, front left, dark saddle	1	28-8290001 and up
	592 041		CARPET - Floor, front right, dark saddle	1	28-8290001 and up
	76161-18		CARPET - Floor, front left	1	2890206 and up
	76161-19		CARPET - Floor, front right	1	2890206 and up

When ordering, always specify Part Number, Description, and Serial Number of Aircraft

PIPER AIRCRAFT

PA-28-181

AIRPLANE PARTS CATALOG

Figure and Index Number	Part Number	Code	Nomenclature	No. Req.	Serial Numbers Affected
34-2	591 027		CARPET - Floor, Sta. 74 to Sta. 105, outboard, black	2	28-7690001 to 28-8090382 incl.
	591 030		CARPET - Floor, Sta. 74 to Sta. 105, outboard, green	2	28-7690001 to 28-7690479 incl.
	591 275	A	CARPET - Floor, Sta. 74 to Sta. 105, outboard, red	2	28-7690001 to 28-7690479 incl.
	591 277	A	CARPET - Floor, Sta. 74 to Sta. 105, outboard, blue	2	28-7690001 to 28-7690479 incl.
	591 276	A	CARPET - Floor, Sta. 74 to Sta. 105, outboard, black	2	28-7690001 to 28-7690479 incl.
	591 279	A	CARPET - Floor, Sta. 74 to Sta. 105, outboard, green	2	28-7690001 to 28-7690479 incl.
	591 501		CARPET - Floor, Sta. 74 to Sta. 105, outboard, heather	2	28-7790001 to 28-8290188 incl.
	591 026		CARPET - Floor, Sta. 74 to Sta. 105, outboard, red	2	28-7690001 to 28-7690479 incl.
	591 028		CARPET - Floor, Sta. 74 to Sta. 105, outboard, blue	2	28-7690001 to 28-7690479 incl.
	79236-16	A,B	CARPET - Floor, Sta. 74 to Sta. 105, outboard	2	28-7790001 and up
	591 620		CARPET - Floor, Sta. 74 to Sta. 105, outboard, palm	2	28-8090001 to 28-8090382 incl.
	591 622		CARPET - Floor, Sta. 74 to Sta. 105, outboard, raspberry	2	28-8090001 to 28-8090382 incl.
	591 623		CARPET - Floor, Sta. 74 to Sta. 105, outboard, brown	2	28-8090001 to 28-8090382 incl.
	591 806		CARPET - Floor, Sta. 74 to Sta. 105, outboard, dark blue	2	28-8090001 and up
	592 078		CARPET - Floor, Sta. 74 to Sta. 105, outboard, light blue	2	28-8390001 and up
	591 859		CARPET - Floor, Sta. 74 to Sta. 105, outboard, firethorn red	2	28-8090001 and up
	591 860		CARPET - Floor, Sta. 74 to Sta. 105, outboard, medium saddle	2	28-8090001 to 28-8290188 incl.
	591 943		CARPET - Floor, Sta. 74 to Sta. 105, outboard, dark cedar	2	28-8190001 and up
	591 996		CARPET - Floor, Sta. 74 to Sta. 105, outboard, dark carmine	2	28-8290001 and up
	591 997		CARPET - Floor, Sta. 74 to Sta. 105, outboard, dark saddle	2	28-8290001 and up
-3	68094-03		PLATE - Trim, aft	4	
-4	591 031		CARPET - Floor, Sta. 74 to Sta. 105, center, red	2	28-7690001 to 28-7690479 incl.
	591 033		CARPET - Floor, Sta. 74 to Sta. 105, center, blue	2	28-7690001 to 28-7690479 incl.
	591 032		CARPET - Floor, Sta. 74 to Sta. 105, center, black	2	28-7690001 to 28-7090382 incl.
	591 035		CARPET - Floor, Sta. 74 to Sta. 105, center, green	2	28-7690001 to 28-7690479 incl.
	591 182	A	CARPET - Floor, Sta. 74 to Sta. 105, center, red	2	28-7690001 to 28-7690479 incl.
	591 184	A	CARPET - Floor, Sta. 74 to Sta. 105, center, blue	2	28-7690001 to 28-7690479 incl.
	591 183	A	CARPET - Floor, Sta. 74 to Sta. 105, center, black	2	28-7690001 to 28-7690479 incl.
	591 186	A	CARPET - Floor, Sta. 74 to Sta. 105, center, green	2	28-7690001 to 28-7690479 incl.
	591 503		CARPET - Floor, Sta. 74 to Sta. 105, center, heather	2	28-7790001 to 28-8290188 incl.
	79236-05	A,B	CARPET - Floor, Sta. 74 to Sta. 105, center	2	
	591 624		CARPET - Floor, Sta. 74 to Sta. 105, center, palm	2	28-8090001 to 28-8090382 incl.
	591 626		CARPET - Floor, Sta. 74 to Sta. 105, center, raspberry	2	28-8090001 to 28-8090382 incl.
	591 627		CARPET - Floor, Sta. 74 to Sta. 105, center, brown	2	28-8090001 to 28-8090382 incl.
	591 807		CARPET - Floor, Sta. 74 to Sta. 105, center, dark blue	2	28-8090001 and up
	592 079		CARPET - Floor, Sta. 74 to Sta. 105, center, light blue	2	28-8390001 and up
	591 861		CARPET - Floor, Sta. 74 to Sta. 105, center, firethorn red	2	28-8090001 and up
	591 862		CARPET - Floor, Sta. 74 to Sta. 105, center, medium saddle	2	28-8090001 to 28-8290188 incl.
	591 944		CARPET - Floor, Sta. 74 to Sta. 105, center, dark cedar	2	28-8190001 and up
	591 998		CARPET - Floor, Sta. 74 to Sta. 105, center, dark carmine	2	28-8290001 and up
	591 999		CARPET - Floor, Sta. 74 to Sta. 105, center, dark saddle	2	28-8290001 and up
-5	76199-12	B	CARPET - Floor, Sta. 74 to Sta. 105, inboard, left	1	
	76199-13	B	CARPET - Floor, Sta. 74 to Sta. 105, inboard, right	1	
-6	99143-03		PLATE - Seat attachment, forward	4	
-7	99140-00		PLATE - Seat attachment, forward	4	
-8	79781-02		PLATE ASSEMBLY - Seat attachment, aft	4	
-9	99143-00		STRIP - Trim	1	
-10	76160-07	B	CARPET ASSEMBLY - Tunnel, top	1	
-11	591 006		CARPET - Spar box, complete, red	1	28-7690001 to 28-7690479 incl.
	591 008		CARPET - Spar box, complete, blue	1	28-7690001 to 28-7690479 incl.
	591 007		CARPET - Spar box, complete, black	1	28-7690001 to 28-7790607 incl.
	591 010		CARPET - Spar box, complete, green	1	28-7690001 to 28-7690479 incl.
	591 493		CARPET - Spar box, complete, heather	1	28-7790001 to 28-7890070 incl.

When ordering, always specify Part Number, Description, and Serial Number of Aircraft

Reissued: September 15, 1994

PIPER AIRCRAFT PA-28-181 AIRPLANE PARTS CATALOG

Figure and Index Number	Part Number	Code	Nomenclature	No. Req.	Serial Numbers Affected
34-12	591 016		CARPET - Tunnel, side, left, red	1	28-7690001 to 28-7690479 incl.
	591 021		CARPET - Tunnel, side, right, red	1	28-7690001 to 28-7690479 incl.
	591 018		CARPET - Tunnel, side, left, blue	1	28-7690001 to 28-7690479 incl.
	591 023		CARPET - Tunnel, side, right, blue	1	28-7690001 to 28-7690479 incl.
	591 017		CARPET - Tunnel, side, left, black	1	28-7690001 to 28-8090832 incl.
	591 022		CARPET - Tunnel, side, right, black	1	28-7690001 to 28-8090382 incl.
	591 020		CARPET - Tunnel, side, left, green	1	28-7690001 to 28-7690479 incl.
	591 025		CARPET - Tunnel, side, right, green	1	28-7690001 to 28-7690479 incl.
	591 497		CARPET - Tunnel, side, left, heather	1	28-7790001 to 28-8290188 incl.
	591 499		CARPET - Tunnel, side, right, heather	1	28-7790001 to 28-8290188 incl.
	591 612		CARPET - Tunnel, side, left, palm	1	28-8090001 to 28-8090382 incl.
	591 616		CARPET - Tunnel, side, right, palm	1	28-8090001 to 28-8090382 incl.
	591 614		CARPET - Tunnel, side, left, raspberry	1	28-8090001 to 28-8090382 incl.
	591 618		CARPET - Tunnel, side, right, raspberry	1	28-8090001 to 28-8090382 incl.
	591 615		CARPET - Tunnel, side, left, brown	1	28-8090001 to 28-8090382 incl.
	591 619		CARPET - Tunnel, side, right, brown	1	28-8090001 to 28-8090382 incl.
	591 804		CARPET - Tunnel, side, left, dark blue	1	28-8090001 and up
	591 805		CARPET - Tunnel, side, right, dark blue	1	28-8090001 and up
	592 076		CARPET - Tunnel, side, left, light blue	1	28-8390001 and up
	592 077		CARPET - Tunnel, side, right, light blue	1	28-8390001 and up
	591 855		CARPET - Tunnel, side, left, firethorn red	1	28-8090001 and up
	591 857		CARPET - Tunnel, side, right, firethorn red	1	28-8090001 and up
	591 856		CARPET - Tunnel, side, left, medium saddle	1	28-8090001 to 28-8290188 incl.
	591 858		CARPET - Tunnel, side, right, medium saddle	1	28-8090001 to 28-8290188 incl.
	591 941		CARPET - Tunnel, side, left, dark cedar	1	28-8190001 and up
	591 942		CARPET - Tunnel, side, right, dark cedar	1	28-8190001 and up
	591 992		CARPET - Tunnel, side, left, dark carmine	1	28-8290001 and up
	591 994		CARPET - Tunnel, side, right, dark carmine	1	28-8290001 and up
	591 993		CARPET - Tunnel, side, left, dark saddle	1	28-8290001 and up
	591 995		CARPET - Tunnel, side, right, dark saddle	1	28-8290001 and up
-13	66802-11	B	CARPET - Baggage compartment	1	
-14	63185-06		TRIM STRIP - Baggage compartment	1	
-15	63293-02		PLATE - Striker, baggage door, length 2.00"	1	
-16	63130-02		PLATE - Heel	2	
	76161-14		PAD - Scuff, vinyl	2	2890206 and up
-17	99240-00		RING - Boot attachment	1	
-18	99252-10	B	COVER ASSEMBLY - Exhaust vent	2	
-19	591 399		CARPET - Floor, rear, red	1	28-7690001 to 28-7690479 incl.
	591 401		CARPET - Floor, rear, blue	1	28-7690001 to 28-7690479 incl.
	591 400		CARPET - Floor, rear, black	1	28-7690001 to 28-7790607 incl.
	591 403		CARPET - Floor, rear, green	1	28-7690001 to 28-7690479 incl.
	591 579		CARPET - Floor, rear, heather	1	28-7790001 to 28-7790607 incl.
	35688-02	B	CARPET - Floor, rear and spar box	1	28-7890001 and up
-20	99116-08		PANEL - Floor	1	28-7690001 to 28-7790377 incl.
	79828-03		PANEL - Floor	1	28-7790378 and up
-21	414 769		SCREW - (MS24693-S53)	45	
	477 683		TEE NUT - (SS-58162)	45	
-22	414 761		SCREW - (MS24693-S48)	3	
	477 683		TEE NUT - (SS-58162)	3	

When ordering, always specify Part Number, Description, and Serial Number of Aircraft

**PIPER AIRCRAFT
PA-28-181
AIRPLANE PARTS CATALOG**

THIS PAGE INTENTIONALLY LEFT BLANK

PIPER AIRCRAFT
PA-28-181
AIRPLANE PARTS CATALOG

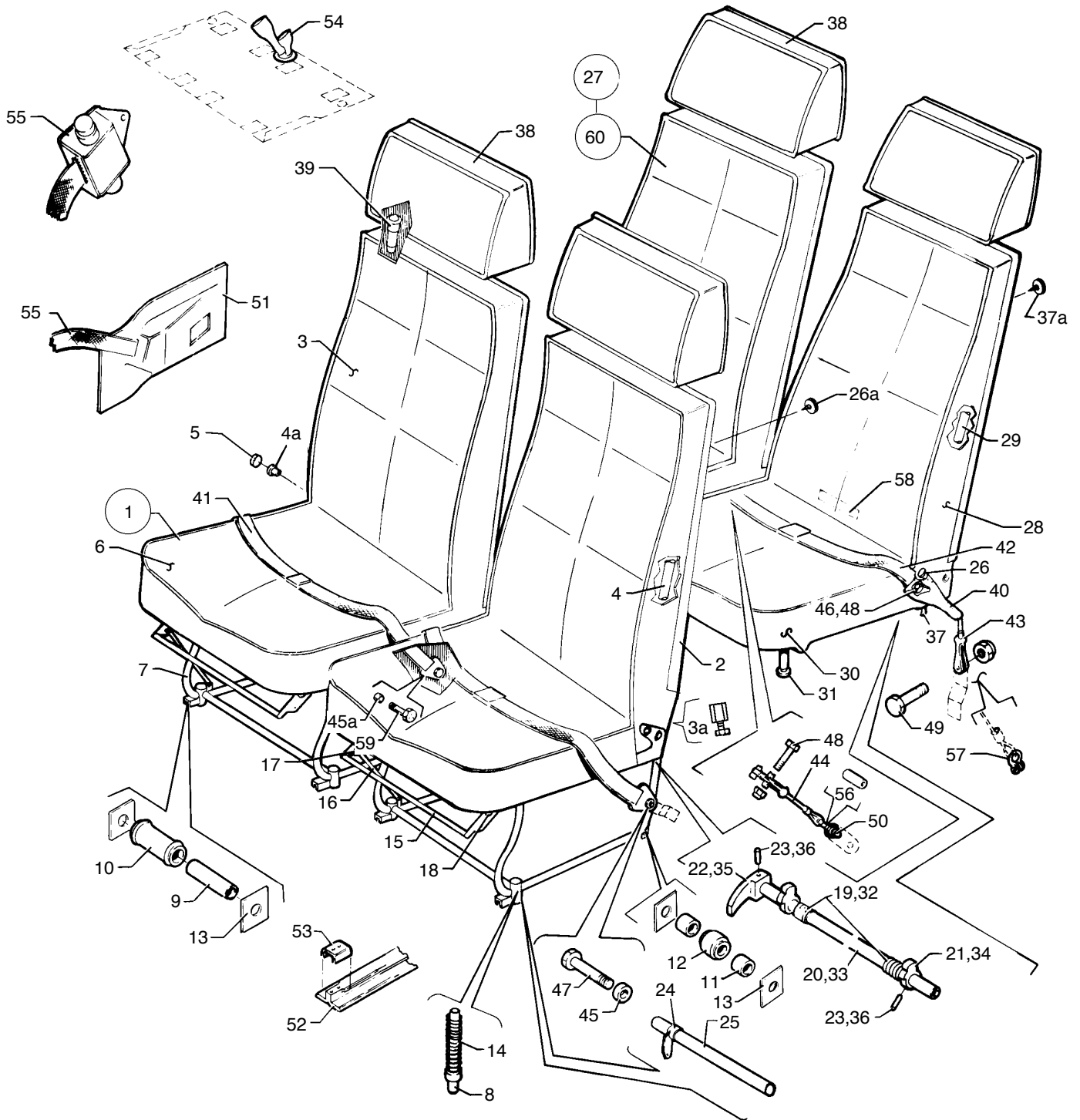


Figure 35. Seats Installation
 (See Code L)

Reissued: September 15, 1994

1G10

Island Enterprises

**PIPER AIRCRAFT
PA-28-181
AIRPLANE PARTS CATALOG**

CODE EXPLANATIONS FOR FIGURE 35

- A - When ordering, specify color.
- B - When ordering, specify color.
- C - Used if rectangular teflon washer is installed.
- D - Used if two pieces of tape are installed on seat frame.
- E - Headrest assembly incorporates a flat steel plate (8" L.) in center of headrest for attachment to seat back.
- F - Headrest assembly incorporates two round tubes (7" L.) in headrest for attachment to seat back.
- G - Used if shoulder harness has been installed.
- H - When ordering, specify color.
- J - Determine O.D. at center of seat roller before ordering. If roller O.D. measures 0.42, order two p/n 18968-00. If roller O.D. measures 0.62, order two p/n 87332-02..
- K - When ordering, specify color and material.
- L - See Figures 36 and 36A for vertically adjustable front seats.

Reissued: September 15, 1994

1G11

Island Enterprises

**PIPER AIRCRAFT
PA-28-181
AIRPLANE PARTS CATALOG**

Figure and Index Number	Part Number	Code	Nomenclature	No. Req.	Serial Numbers Affected
35-	76170	L	DRAWING - Seats Installation		
-1	79337-02	A	SEAT ASSEMBLY - Front, left	1	28-7690001 to 28-7790607 incl.
	79337-21	A	SEAT ASSEMBLY - Front, left	1	28-7890001 to 28-8290188 incl.
	79337-58	K	SEAT ASSEMBLY - Front, left	1	28-8390001 and up
	79337-43	H	SEAT ASSEMBLY - Front, left (luxurious)	1	28-8090001 to 28-8290188 incl.
	79337-70	K	SEAT ASSEMBLY - Front, left (luxurious)	1	28-8390001 and up
	79337-03	A	SEAT ASSEMBLY - Front, right	1	28-7690001 to 28-7790607 incl.
	79337-22	A	SEAT ASSEMBLY - Front, right	1	28-7890001 to 28-8290188 incl.
	79337-61	K	SEAT ASSEMBLY - Front, right	1	28-8390001 and up
	79337-44	H	SEAT ASSEMBLY - Front, right (luxurious)	1	28-8090001 to 28-8290188 incl.
	79337-73	K	SEAT ASSEMBLY - Front, right (luxurious)	1	28-8390001 and up
-2	78041-00	B	* COVER - Seat back, left and right	1	28-7690001 to 28-8290188 incl.
	78041-09	H	* COVER - Seat back, left and right (luxurious)	1	28-8090001 to 28-8290188 incl.
-3	79377-16	A	* CUSHION AND FRAME ASSEMBLY - Back, left	1	28-7690001 to 28-8290188 incl.
	79377-59	K	* CUSHION AND FRAME ASSEMBLY - Back, left	1	28-8390001 and up
	79337-27	H	* CUSHION AND FRAME ASSEMBLY - Back, left (luxurious)	1	28-8090001 to 28-8290188 incl.
	79337-71	K	* CUSHION AND FRAME ASSEMBLY - Back, left (luxurious)	1	28-8390001 and up
	79377-17	A	* CUSHION AND FRAME ASSEMBLY - Back, right	1	28-7690001 to 28-8290188 incl.
	79377-62	K	* CUSHION AND FRAME ASSEMBLY - Back, right	1	28-8390001 and up
	79337-28	H	* CUSHION AND FRAME ASSEMBLY - Back, right (luxurious)	1	28-8090001 to 28-8290188 incl.
	79337-74	K	* CUSHION AND FRAME ASSEMBLY - Back, right (luxurious)	1	28-8390001 and up
-3a	402 777		** BOLT - Seat back recline adjust (NAS428-4-13)	2	
	79177-00		** NUT - Hex, seat back recline adjust	2	
-4	79555-00		** FRAME ASSEMBLY - Back, left	1	
	79555-01		** FRAME ASSEMBLY - Back, right	1	
-4a	453 732		*** BUSHING - Seat back, right (PS10064-375-4)	1	
-5	79554-02		** KNOB - Seat back release, right	1	
-6	79337-08	A	* CUSHION AND FRAME ASSEMBLY - Bottom, left	1	28-7690001 to 28-7790607 incl.
	79337-23	A	* CUSHION AND FRAME ASSEMBLY - Bottom, left	1	28-7890001 to 28-8290188 incl.
	79337-60	K	* CUSHION AND FRAME ASSEMBLY - Bottom, left	1	28-8390001 and up
	79337-32	H	* CUSHION AND FRAME ASSEMBLY - Bottom, left (luxurious)	1	28-8090001 to 28-8290188 incl.
	79337-72	K	* CUSHION AND FRAME ASSEMBLY - Bottom, left (luxurious)	1	28-8390001 and up
	79337-09	A	* CUSHION AND FRAME ASSEMBLY - Bottom, right	1	28-7690001 to 28-7790607 incl.
	79337-24	A	* CUSHION AND FRAME ASSEMBLY - Bottom, right	1	28-7890001 to 28-8290188 incl.
	79337-63	K	* CUSHION AND FRAME ASSEMBLY - Bottom, right	1	28-8390001 and up
	79337-33	H	* CUSHION AND FRAME ASSEMBLY - Bottom, right (luxurious)	1	28-8090001 to 28-8290188 incl.
	79337-75	H	* CUSHION AND FRAME ASSEMBLY - Bottom, right (luxurious)	1	28-8390001 and up
-7	79535-00		** FRAME ASSEMBLY - Bottom, left	1	28-7690001 to 28-7790607 incl.
	79819-02		** FRAME ASSEMBLY - Bottom, left	1	28-7890001 and up
	79535-01		** FRAME ASSEMBLY - Bottom, right	1	28-7690001 to 28-7790607 incl.
	79819-03		** FRAME ASSEMBLY - Bottom, right	1	28-7890001 and up
-8	76175-03		*** PLUNGER	2	
-9	65003-47		*** BUSHING - Seat roller	AR	
	95061-106	C	*** BUSHING - Seat roller	AR	
-10	87332-02	J	*** ROLLER - Seat Track	2	
	18968-00	J	*** ROLLER - Seat Track	2	
-11	63900-54		*** BUSHING - Seat roller, aft legs (0.240 L.)	AR	
	79252-00	C	*** BUSHING - Seat roller, aft legs (0.254 L.)	AR	
	95061-161	D	*** BUSHING - Seat roller, aft legs (0.248 L.)	AR	
-12	452 386		*** ROLLER - Aft legs (NAS506-4)	AR	
-13	79251-00		*** WASHER - Teflon	AR	28-7690001 to 28-7690385 incl.
-14	587 299		*** SPRING - Seat plunger (LC-038F-6SS)	2	
-15	79207-00		*** HANDLE ASSEMBLY - Seat release	1	
-16	79322-03		*** ROD	2	28-7690001 to 28-7790607 incl.
	79322-06		*** ROD	2	28-7890001 and up
-17	407 561		*** WASHER - (AN960-4)	4	
	406 369		*** NUT - (A1037-012-3)	4	

When ordering, always specify Part Number, Description, and Serial Number of Aircraft

PIPER AIRCRAFT PA-28-181 AIRPLANE PARTS CATALOG

Figure and Index Number	Part Number	Code	Nomenclature	No. Req.	Serial Numbers Affected
35-18	400 002		*** BOLT - (AN4-5A)	2	
	494 040		*** WASHER - (PS10011-12)	6	
	404 836		*** NUT - (MS20364-428C)	2	
-19	19336-00		*** SPRING - Seat back adjustment, inboard	1	
	19336-01		*** SPRING - Seat back adjustment, outboard	1	
-20	79230-00		*** TUBE - Reclining mechanism	1	
-21	19365-02		*** CAM - Reclining seat	2	
-22	32380-00		*** HANDLE - Seat back adjustment, cadmium plated	1	
	79442-00		*** HANDLE - Seat back adjustment, black	1	
-23	480 701		*** PIN - Roll (59-028-125-0625)	4	
-24	76172-00		*** BELLCRANK ASSEMBLY - Seat latch	1	
-25	76187-00		*** ARM ASSEMBLY - Seat release	1	
-26	400 916		* BOLT - (AN24-26A)	2	
	407 565		* WASHER - (AN960-416)	2	
	477 709		* NUT - (26C-048)	2	
-26a	67958-03	H	* BUTTON ASSEMBLY - Seat back	2	28-7690001 to 28-8290188 incl.
	67958-05	K	* BUTTON ASSEMBLY - Seat back	2	28-8390001 and up
-27	96827-11	A	SEAT ASSEMBLY - Rear, left	1	28-7690001 to 28-7790337 incl.
	96827-22	A	SEAT ASSEMBLY - Rear, left	1	28-7790338 to 28-8290188 incl.
	96827-35	K	SEAT ASSEMBLY - Rear, left	1	28-8390001 to 28-8590092 incl.
	96827-29	H	SEAT ASSEMBLY - Rear, left (luxurious)	1	28-8090001 to 28-8290188 incl.
	96827-41	K	SEAT ASSEMBLY - Rear, left (luxurious)	1	28-8390001 to 28-8590092 incl.
	96827-12	A	SEAT ASSEMBLY - Rear, right	1	28-7690001 to 28-7790337 incl.
	96827-23	A	SEAT ASSEMBLY - Rear, right	1	28-7790338 to 28-8290188 incl.
	96827-37	K	SEAT ASSEMBLY - Rear, right	1	28-8390001 to 28-8590092 incl.
	96827-30	H	SEAT ASSEMBLY - Rear, right (luxurious)	1	28-8090001 to 28-8290188 incl.
	96827-43	K	SEAT ASSEMBLY - Rear, right (luxurious)	1	28-8390001 to 28-8590092 incl.
-28	79337-16	A	* CUSHION AND FRAME ASSEMBLY - Back, left and right	1	28-7690001 to 28-8290188 incl.
	79337-59	K	* CUSHION AND FRAME ASSEMBLY - Back, left and right	1	28-8390001 and up
	79337-27	H	* CUSHION AND FRAME ASSEMBLY - Back, left and right (luxurious)	1	28-7690001 to 28-8290188 incl.
	79337-71	K	* CUSHION AND FRAME ASSEMBLY - Back, left and right (luxurious)	1	28-8390001 and up
-29	79555-00		** FRAME ASSEMBLY - Seat back	1	
-30	96827-17	A	* CUSHION AND FRAME ASSEMBLY - Bottom, left	1	28-7690001 to 28-7790337 incl.
	96827-26	A	* CUSHION AND FRAME ASSEMBLY - Bottom, left	1	28-7790338 to 28-8290188 incl.
	96827-36	K	* CUSHION AND FRAME ASSEMBLY - Bottom, left	1	28-8390001 and up
	96827-31	H	* CUSHION AND FRAME ASSEMBLY - Bottom, left (luxurious)	1	28-8090001 to 28-8290188 incl.
	96827-42	K	* CUSHION AND FRAME ASSEMBLY - Bottom, left (luxurious)	1	28-8390001 and up
	96827-18	A	* CUSHION AND FRAME ASSEMBLY - Bottom, right	1	28-7690001 to 28-7790337 incl.
	96827-27	A	* CUSHION AND FRAME ASSEMBLY - Bottom, right	1	28-7790338 to 28-8290188 incl.
	96827-38	K	* CUSHION AND FRAME ASSEMBLY - Bottom, right	1	28-8390001 and up
	96827-32	H	* CUSHION AND FRAME ASSEMBLY - Bottom, right (luxurious)	1	28-8090001 to 28-8290188 incl.
	96827-44	K	* CUSHION AND FRAME ASSEMBLY - Bottom, right (luxurious)	1	28-8390001 and up
-31	99077-00		** FRAME ASSEMBLY - Seat bottom, left	1	28-7690001 to 28-7790337 incl.
	99077-16		** FRAME ASSEMBLY - Seat bottom, left	1	28-7790338 and up
	99077-01		** FRAME ASSEMBLY - Seat bottom, right	1	28-7690001 to 28-7790337 incl.
	99077-17		** FRAME ASSEMBLY - Seat bottom, right	1	28-7790338 and up
-32	19336-00		*** SPRING - Seat back adjustment, inboard	1	
	19336-01		*** SPRING - Seat back adjustment, outboard	1	
-33	19392-15		*** TUBE - Reclining mechanism	1	
-34	19365-02		*** CAM - Reclining seat	2	
-35	32380-00		*** HANDLE - Seat back adjustment, cadmium plated	1	
-36	480 701		*** PIN - Roll (59-028-125-0625)	3	
-37	79436-00		*** FOOT - Seat attachment, rear legs	2	28-7690001 to 28-7790337 incl.
-37a	67958-03	H	* BUTTON ASSEMBLY - Seat back	2	28-7690001 to 28-8290188 incl.
	67958-05	K	* BUTTON ASSEMBLY - Seat back	2	28-8390001 and up

When ordering, always specify Part Number, Description, and Serial Number of Aircraft

Reissued: September 15, 1994

1G13

Island Enterprises

**PIPER AIRCRAFT
PA-28-181
AIRPLANE PARTS CATALOG**

Figure and Index Number	Part Number	Code	Nomenclature	No. Req.	Serial Numbers Affected
35-38	96806-17	A,E	HEADREST ASSEMBLY	3	28-7690001 to 28-8290188 incl.
	96806-26	A,E	HEADREST ASSEMBLY - Copilot seat	1	28-7690001 to 28-8290188 incl.
	79337-18	A,F	HEADREST ASSEMBLY - Seat (8` high)	4	28-7690001 to 28-8290188 incl.
	79337-41	H	HEADREST ASSEMBLY - Seat (luxurious)	4	28-8090001 to 28-8290188 incl.
	36938-04	K	HEADREST ASSEMBLY - Seat	4	28-8390001 and up
	89028-02		HEADREST ASSEMBLY - Seat	4	2890206 and up
-39	99361-00		RECEPTACLE - Headrest (1.00 dia.)	8	
	78044-00		RECEPTACLE - Headrest (1.88 L. x 0.62 W.)	8	
-40	68022-14		BOOT - Seat belt attachment, black	2	
-41	551 390		BELT ASSEMBLY - Safety, front (PS50039-4-2A), black	2	
	564 862		BELT ASSEMBLY - Safety, front (PS50039-4-46), gray	2	2890206 and up
-42	551 374	G	BELT ASSEMBLY - Safety, rear (PS50039-4-3), black	2	
	564 868		BELT ASSEMBLY - Safety, rear (PS50039-4-50), gray	2	2890206 and up
-43	96908-00		CABLE ASSEMBLY - Safety belt attachment, rear side	2	
-44	96908-00		CABLE ASSEMBLY - Safety belt attachment, rear center	2	
-45	63900-145		BUSHING - Front seat safety belt attachment (1.76` L.)	2	
-45a	95061-180		BUSHING - Front seat safety belt attachment (0.34` L.), right	1	
	95061-186		BUSHING - Front seat safety belt attachment (0.25` L.), left	1	
-46	63900-149		BUSHING - Rear seat safety belt attachment	4	
-47	401 269		BOLT - (AN3-10A) Outboard	2	
-48	401 187		BOLT - (AN5-7A)	4	
	407 566		WASHER - (AN960-516)	4	
	404 837		NUT - (MS20364-524C)	4	
-49	400 004		BOLT - (AN4-7A)	2	
	407 565		WASHER - (AN960-416)	2	
	404 888		NUT - (MS20365-428C)	2	
-50	401 355		BOLT - (AN5-14A)	1	
	407 566		WASHER - (AN960-516)	1	
	404 837		NUT - (MS20364-524C)	1	
-51	99920-02	G	COVER ASSEMBLY - Inertia reel, rear, left	1	
	99920-03	G	COVER ASSEMBLY - Inertia reel, rear, right	1	
-52	62557-04		TRACK - Seat	4	
-53	62654-00		STOP - Seat	8	
-54	99242-13		BOOT ASSEMBLY - Seat belt attachment, black	1	
-55	551 425		BELT ASSEMBLY - Shoulder, front (fixed) (PS50039-4-23)	2	28-8190001 to 28-8290188 incl.
	452 680		BELT ASSEMBLY - Shoulder, front (with inertia reel) (PS50039-4-20)	2	
	564 863		BELT ASSEMBLY - Shoulder, front (with inertia reel) (PS50039-4-49)	2	2890206 and up
	551 424		BELT ASSEMBLY - Shoulder, rear (fixed) (PS50039-4-22)	2	28-8190001 to 28-8290188 incl.
	452 679		BELT ASSEMBLY - Shoulder, rear (with inertia reel) (PS50039-4-19)	2	
	564 864		BELT ASSEMBLY - Shoulder, rear (with inertia reel) (PS50039-4-48)	2	2890206 and up
-56	95061-91		BUSHING - Rear seat cable attachment	1	
-57	486 560		SHACKLE - (MS20115F5)	2	
-58	69669-110		PLACARD - Seat leg release	2	28-7690001 to 28-7790337 incl.
-59	400 863		BOLT - (AN23-11A) Left	1	
	401 269		BOLT - (AN3-10A) Right	1	
-60	89027-02		SEAT ASSEMBLY - Rear, left	1	28-8690001 and up
	89027-03		SEAT ASSEMBLY - Rear, right	1	28-8690001 and up
	89027-04		* BOTTOM ASSEMBLY - Seat, left	1	28-8690001 and up
	89027-05		* BOTTOM ASSEMBLY - Seat, right	1	28-8690001 and up
	89023-10		* BACK ASSEMBLY - Seat, left and right	2	28-8690001 and up
	89028-02		* HEADREST ASSEMBLY - Seat, left and right	2	28-8690001 and up

When ordering, always specify Part Number, Description, and Serial Number of Aircraft

Reissued: September 15, 1994

1G14

Island Enterprises

PIPER AIRCRAFT
PA-28-181
AIRPLANE PARTS CATALOG

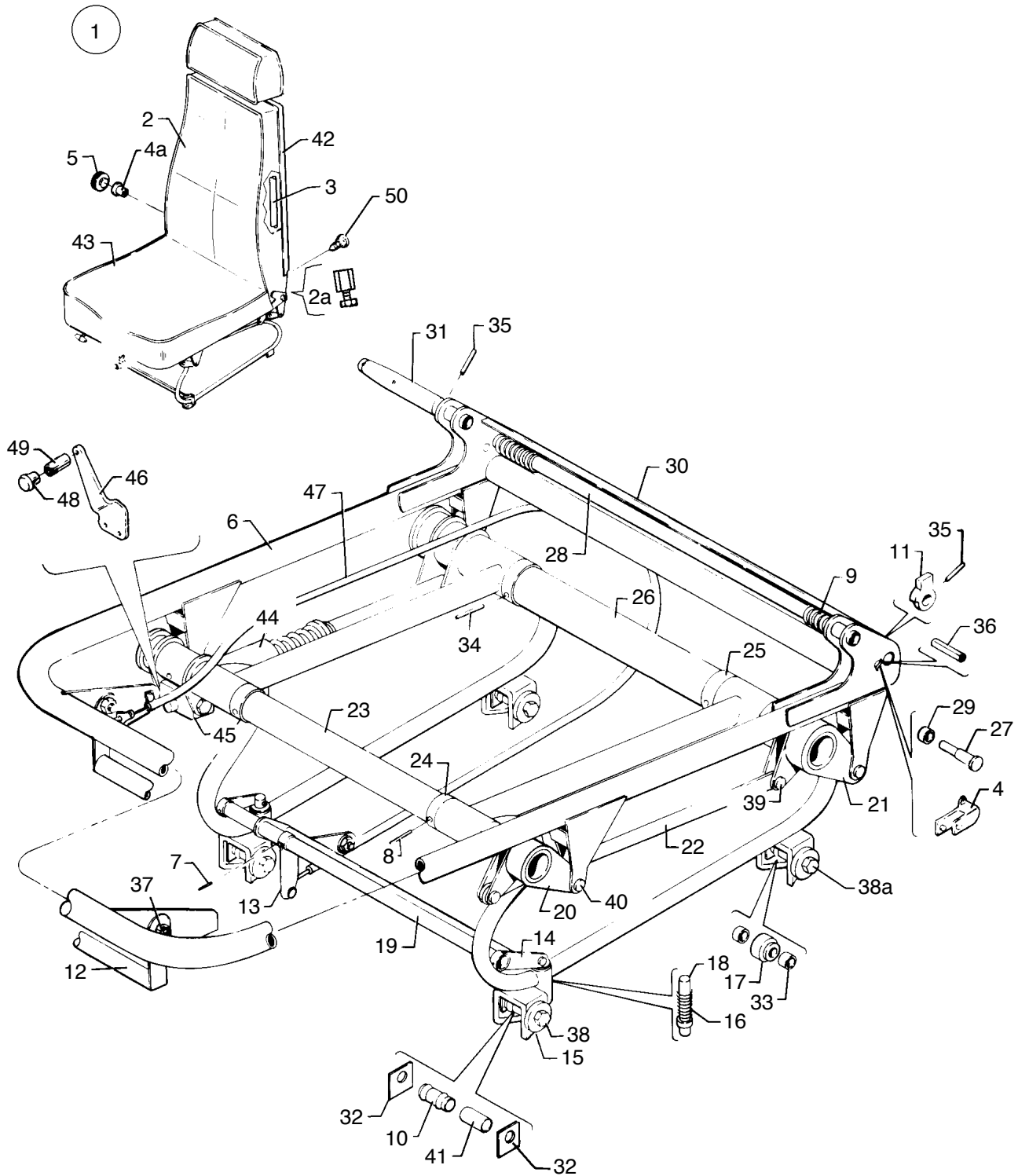


Figure 36. Vertically Adjustable Front Seat Assembly

Reissued: September 15, 1994

1G15

Island Enterprises

**PIPER AIRCRAFT
PA-28-181
AIRPLANE PARTS CATALOG**

CODE EXPLANATIONS FOR FIGURE 36

- A - When ordering, specify color.
- B - When ordering, specify color and material.
- C - Used if seat adjustment control assembly 76445-00 (P. L. Porter Co. P/N SL10100) is installed.
- D - Used if seat adjustment control assembly 587 404 (Gas Spring Corp. P/N 046337-06-10-080-0250N) is installed.
- E - Used if Teflon washers are installed.
- F - Used if two pieces of tape are installed on seat frame.
- G - Used if a welded bellcrank assembly is installed.
- H - Determine O.D. at center of seat roller before ordering. If roller O.D. measures 0.42, order two p/n 18968-00. If roller O.D. measures 0.62, order two p/n 87332-02..
- J - Determine part number stamped on control assembly, and order assembly of same part number.
- K - Serial numbers 28-7690001 to 28-7790358 inclusive, order 89178-10 Cylinder Assembly, which includes 587 404 Gas Spring, 37902-06 Adapter, and 82695-89 Bushing.

**PIPER AIRCRAFT
PA-28-181
AIRPLANE PARTS CATALOG**

Figure and Index Number	Part Number	Code	Nomenclature	No. Req.	Serial Numbers Affected	
36-1	79591-02	A	SEAT ASSEMBLY - Adjustable front, left	1	28-7690001 to 28-8290188 incl.	
	79591-08	B	SEAT ASSEMBLY - Adjustable front, left	1	28-8390001 and up	
	79591-04	B	SEAT ASSEMBLY - Adjustable front, left (luxurious)	1	28-8090001 to 28-8290188 incl.	
	79591-10	B	SEAT ASSEMBLY - Adjustable front, left (luxurious)	1	28-8390001 and up	
	79591-03	A	SEAT ASSEMBLY - Adjustable front, right	1	28-7690001 to 28-8290188 incl.	
	79591-09	B	SEAT ASSEMBLY - Adjustable front, right	1	28-8390001 and up	
	79591-05	B	SEAT ASSEMBLY - Adjustable front, right (luxurious)	1	28-8090001 to 28-8290188 incl.	
	79591-11	B	SEAT ASSEMBLY - Adjustable front, right (luxurious)	1	28-8390001 and up	
	-2	79337-16	A	* CUSHION ASSEMBLY - Back, left	1	28-7690001 to 28-8290188 incl.
		79337-59	B	* CUSHION ASSEMBLY - Back, left	1	28-8390001 and up
		79337-27	B	* CUSHION ASSEMBLY - Back, left (luxurious)	1	28-8090001 to 28-8290188 incl.
79337-71		B	* CUSHION ASSEMBLY - Back, left (luxurious)	1	28-8390001 and up	
79337-17		A	* CUSHION ASSEMBLY - Back, right	1	28-7690001 to 28-8290188 incl.	
79337-62		B	* CUSHION ASSEMBLY - Back, right	1	28-8390001 and up	
79337-28		B	* CUSHION ASSEMBLY - Back, right (luxurious)	1	28-8090001 to 28-8290188 incl.	
79337-74		B	* CUSHION ASSEMBLY - Back, right (luxurious)	1	28-8390001 and up	
-2a	402 777		** BOLT - Seat back recline adjust (NAS428-4-13)	2		
	79177-00		** NUT - Hex, seat back recline adjust	2		
-3	79555-00		** FRAME ASSEMBLY - Back, left	1		
	79555-01		** FRAME ASSEMBLY - Back, right	1		
-4	99718-06		*** STOP ASSEMBLY - Seat latch	1		
-4a	453 732		*** BUSHING - Seat back, right (PS10064-375-4)	1		
-5	79554-02		** KNOB - Seat back release, right	1		
-6	79539-00	C	* FRAME ASSEMBLY - Bottom, left	1		
	79539-01	C	* FRAME ASSEMBLY - Bottom, right	1		
	79539-02	D	* FRAME ASSEMBLY - Bottom, left	1		
	79539-03	D	* FRAME ASSEMBLY - Bottom, right	1		
-7	480 777		** PIN - (MS9048-100) 0.50 long	3		
	480 592		** PIN - (MS9048-101) 0.56 long	3		
-8	480 789		** PIN - (MS9048-170)	4		
-9	19336-00		** SPRING - Seat back adjustment, left	1		
	19336-01		** SPRING - Seat back adjustment, right	1		
-10	87332-02	H	** ROLLER - Seat track	2		
	18968-00	H	** ROLLER - Seat track	2		
-11	19365-02		** CAM - Reclining seat	2		
-12	79207-00		** HANDLE ASSEMBLY - Seat release	1		
-13	76187-00		** ARM ASSEMBLY - Seat release	1		
-14	76178-00		** ARM ASSEMBLY - Seat latch	2		
-15	62833-78		** WASHER	8		
-16	587 299		** SPRING - Seat plunger (LC-038F-6SS)	2		
-17	452 386		** ROLLER - (NAS506-4)	2		
-18	76175-00		** PLUNGER	2		
-19	76172-03		** TUBE - Bellcrank	1		
-20	76347-00		** BELLCRANK ASSEMBLY - Forward	1		
-21	76349-00		** BELLCRANK ASSEMBLY - Aft	1		
-22	76342-00		** LINK ASSEMBLY - Seat	1		
-23	76343-00		** TUBE ASSEMBLY - Forward	1		
-24	76351-02		** BUSHING - Seat	2		
-25	76351-03		** BUSHING - Seat	2		
-26	76345-00	C	** TUBE ASSEMBLY - Aft	1		
	37848-02	D	** TUBE ASSEMBLY - Aft	1		
-27	79229-00		** BEARING SHAFT - Seat release, right	1		
-28	79230-00		** TUBE - Seat reclining	1		
-29	79235-00		** BUSHING - Seat back release, right	1		
-30	76176-00		** COVER - Reclining seat	1		
-31	79442-00		** HANDLE - Seat back adjustment, black	1		
-32	79251-00		** WASHER - Teflon	8	28-7690001 to 28-7690385 incl.	
-33	79252-00	E	** SPACER - Seat (0.254 L.)	4		
	95061-161	F	** SPACER - Seat (0.248 L.)	4		

When ordering, always specify Part Number, Description, and Serial Number of Aircraft

Reissued: September 15, 1994

PIPER AIRCRAFT PA-28-181 AIRPLANE PARTS CATALOG

Figure and Index Number	Part Number	Code	Nomenclature	No. Req.	Serial Numbers Affected
36-34	480 801		** PIN - (MS9048-173) (1.37 L.)	4	
-35	480 701		** PIN - Roll (59-028-125-0625)	3	
-36	480 732		** PIN - Roll (59-040-187-0937)	2	
-37	400 002		** BOLT - (AN4-5A)	2	
	494 133		** WASHER - Nylon (1/4 I.D.)	6	
	404 888		** NUT - (MS20364-428C)	2	
-38	401 318		** BOLT - (AN4-20A)	2	
	404 888		** NUT - (MS20365-428C)	2	
-38A	401 318		** BOLT - (AN4-20A)	2	
	477 708		** NUT - (26C-048)	2	
-39	424 205	G	** PIN - (MS20392-3C17)	2	
	407 565	G	** WASHER - (AN960-416)	AR	
	407 585		** WASHER - (AN960-416L)	AR	
	424 051		** COTTER PIN - (MS24665-132)	2	
-40	424 172		** PIN - (MS20392-2C11)	4	
	407 564		** WASHER - (AN960-10)	4	
	424 051		** COTTER PIN - (MS24665-132)	4	
-41	95061-106		** SPACER	2	
-42	78041-00	A	* COVER ASSEMBLY - Seat back	1	28-7690001 to 28-8290188 incl.
	78041-09	B	* COVER ASSEMBLY - Seat back (luxurious)	1	28-8090001 to 28-8290188 incl.
-43	555 563		* COVER ASSEMBLY - Seat bottom, red	1	28-7690001 to 28-7690479 incl.
	555 564		* COVER ASSEMBLY - Seat bottom, blue/green	1	28-7690001 to 28-7690479 incl.
	555 565		* COVER ASSEMBLY - Seat bottom, gold	1	28-7690001 to 28-7690479 incl.
	555 568		* COVER ASSEMBLY - Seat bottom, green	1	28-7690001 to 28-7690479 incl.
	555 566		* COVER ASSEMBLY - Seat bottom, black	1	28-7690001 to 28-7690479 incl.
	555 953		* COVER ASSEMBLY - Seat bottom, red (with black trim)	1	28-7790001 to 28-7890564 incl.
	556 469		* COVER ASSEMBLY - Seat bottom, red (with black trim)	1	28-7990001 to 28-8090382 incl.
	556 472		* COVER ASSEMBLY - Seat bottom, red (with camel trim)	1	28-7990001 to 28-8090382 incl.
	556 932		* COVER ASSEMBLY - Seat bottom, red	1	28-8190001 to 28-8290188 incl.
	555 954		* COVER ASSEMBLY - Seat bottom, blue (with black trim)	1	28-7790001 to 28-7890564 incl.
	556 470		* COVER ASSEMBLY - Seat bottom, blue (with black trim)	1	28-7990001 to 28-8090382 incl.
	556 473		* COVER ASSEMBLY - Seat bottom, blue (with camel trim)	1	28-7990001 to 28-8090382 incl.
	556 933		* COVER ASSEMBLY - Seat bottom, blue	1	28-8190001 to 28-8290188 incl.
	555 955		* COVER ASSEMBLY - Seat bottom, gold (with black trim)	1	28-7790001 to 28-7890564 incl.
	556 471		* COVER ASSEMBLY - Seat bottom, gold (with black trim)	1	28-7990001 to 28-8290188 incl.
	556 474		* COVER ASSEMBLY - Seat bottom, gold (with camel trim)	1	28-7990001 to 28-8290188 incl.
	555 956		* COVER ASSEMBLY - Seat bottom, green (with black trim)	1	28-7790001 to 28-7790607 incl.
	555 957		* COVER ASSEMBLY - Seat bottom, black (with black trim)	1	28-7790001 to 28-7790607 incl.
	555 884		* COVER ASSEMBLY - Seat bottom, navajo sepia (with camel trim)	1	28-7790001 to 28-8290188 incl.
	555 885		* COVER ASSEMBLY - Seat bottom, navajo cactus (with camel trim)	1	28-7790001 to 28-8290188 incl.
	555 886		* COVER ASSEMBLY - Seat bottom, orange (with camel trim)	1	28-7790001 to 28-7790607 incl.
	555 887		* COVER ASSEMBLY - Seat bottom, blue/green (with camel trim)	1	28-7790001 to 28-7790607 incl.
	555 888		* COVER ASSEMBLY - Seat bottom, navajo sepia (with black trim)	1	28-7790001 to 28-8290188 incl.
	555 889		* COVER ASSEMBLY - Seat bottom, navajo cactus (with black trim)	1	28-7790001 to 28-8290188 incl.
	555 890		* COVER ASSEMBLY - Seat bottom, orange (with black trim)	1	28-7790001 to 28-7790607 incl.
	555 891		* COVER ASSEMBLY - Seat bottom, blue/green (with black trim)	1	28-7790001 to 28-7790607 incl.
	559 827		* COVER ASSEMBLY - Seat bottom, madrid red (cloth)	1	28-8390001 and up
	556 677		* COVER ASSEMBLY - Seat bottom, firethorn red	1	28-8090001 to 28-8290188 incl.
	559 721		* COVER ASSEMBLY - Seat bottom, firethorn red (velour)	1	28-8390001 and up
	559 784		* COVER ASSEMBLY - Seat bottom, dark firethorn (leather)	1	28-8390001 and up

When ordering, always specify Part Number, Description, and Serial Number of Aircraft

**PIPER AIRCRAFT
PA-28-181
AIRPLANE PARTS CATALOG**

Figure and Index Number	Part Number	Code	Nomenclature	No. Req.	Serial Numbers Affected
36-43	556 678		* COVER ASSEMBLY - Seat bottom, buckskin	1	28-8090001 to 28-8290188 incl.
	559 829		* COVER ASSEMBLY - Seat bottom, buckskin (cloth)	1	28-8390001 and up
	559 795		* COVER ASSEMBLY - Seat bottom, light buckskin (leather)	1	28-8390001 and up
	556 705		* COVER ASSEMBLY - Seat bottom, dark blue	1	28-8090001 to 28-8290188 incl.
	559 700		* COVER ASSEMBLY - Seat bottom, dark blue (velour)	1	28-8390001 and up
	559 748		* COVER ASSEMBLY - Seat bottom, dark blue (leather)	1	28-8390001 and up
	559 828		* COVER ASSEMBLY - Seat bottom, bahama blue (cloth)	1	28-8390001 and up
	556 921		* COVER ASSEMBLY - Seat bottom, dark cedar (knit)	1	28-8190001 to 28-8290188 incl.
	559 707		* COVER ASSEMBLY - Seat bottom, dark cedar (knit)	1	28-8390001 and up
	557 035		* COVER ASSEMBLY - Seat bottom, dark cedar (velour)	1	28-8290001 to 28-8290188 incl.
	559 772		* COVER ASSEMBLY - Seat bottom, dark cedar (leather)	1	28-8390001 and up
	557 033		* COVER ASSEMBLY - Seat bottom, dark carmine (velour)	1	28-8290001 to 28-8290188 incl.
	557 034		* COVER ASSEMBLY - Seat bottom, sandalwood (fabric)	1	28-8290001 to 28-8290188 incl.
	559 735		* COVER ASSEMBLY - Seat bottom, sandalwood (fabric)	1	28-8390001 and up
	559 728		* COVER ASSEMBLY - Seat bottom, patrician sandalwood (fabric)	1	28-8390001 and up
	559 714		* COVER ASSEMBLY - Seat bottom, dark saddle (knit)	1	28-8390001 and up
	559 760		* COVER ASSEMBLY - Seat bottom, dark saddle (fabric)	1	28-8390001 and up
-44	76445-00	J	* CONTROL ASSEMBLY - Seat adjustment (P.L. Porter Co. P/N SL10100)	1	
	587 404	J,K	* GAS SPRING - Seat adjustment (Gas Spring Corp. P/N 046337-06-10-080-0250N)	1	
-45	37902-02	C	* ADAPTER - Seat control	1	
	37902-06	D	* ADAPTER - Seat control	1	
-46	37902-08		* CONTROL ARM - Actuator	1	
-47	99719-28		* CABLE ASSEMBLY - Seat track release (crew operated, length 27")	1	
-48	471 084		* KNOB - Actuator (233)	1	
-49	37902-05		* BUSHING - Actuator	1	
-50	67958-03	B	* BUTTON ASSEMBLY - Seat back	1	28-7690001 to 28-8290188 incl.
	67958-05	B	* BUTTON ASSEMBLY - Seat back	1	28-8390001 and up

When ordering, always specify Part Number, Description, and Serial Number of Aircraft

Reissued: September 15, 1994

1G19

Island Enterprises

PIPER AIRCRAFT
PA-28-181
AIRPLANE PARTS CATALOG

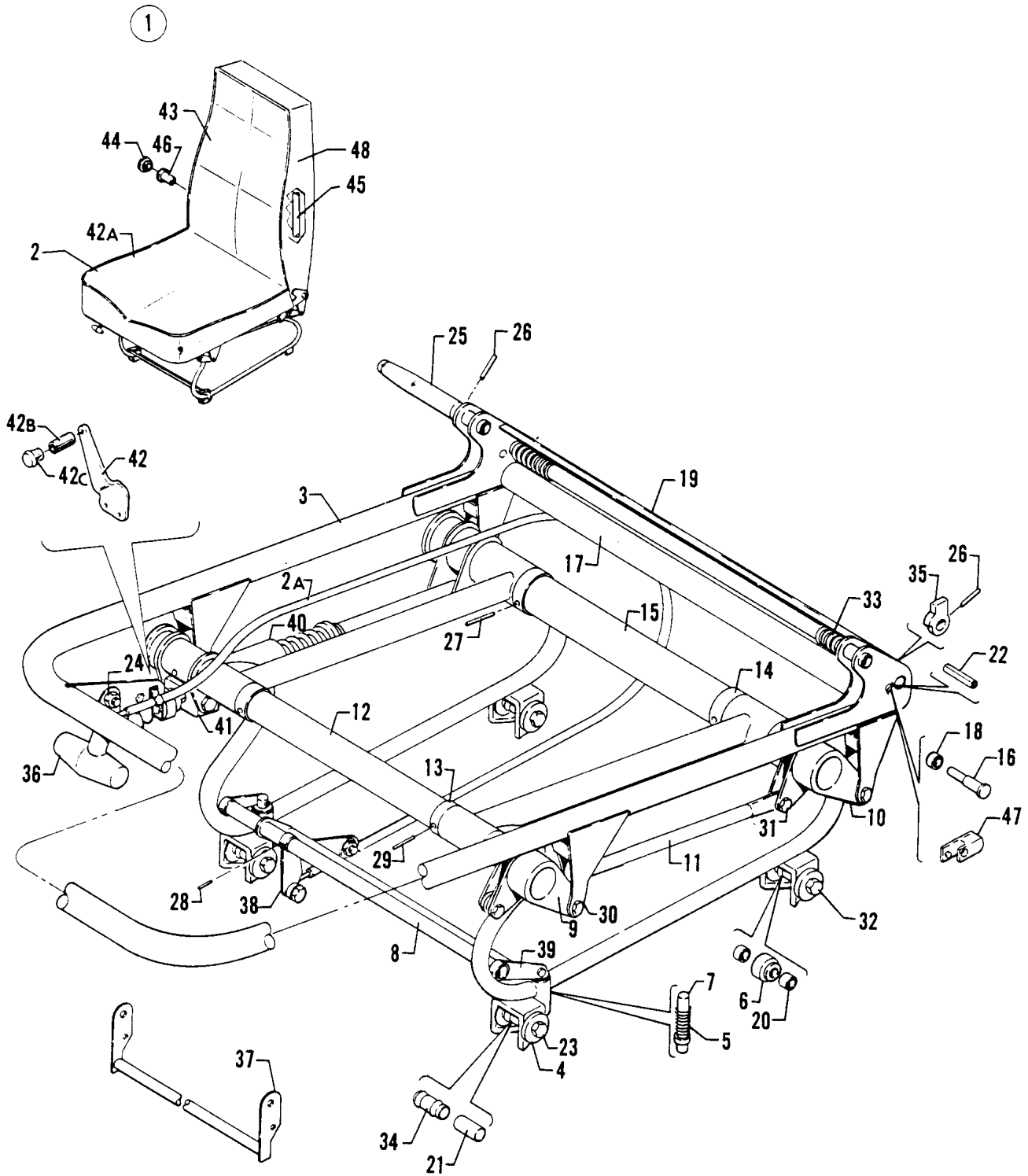


Figure 36A. Vertically Adjustable Front Seat Assembly
(Serial numbers 2890206 and up)

Reissued: September 15, 1994

1G20

Island Enterprises

**PIPER AIRCRAFT
PA-28-181
AIRPLANE PARTS CATALOG**

CODE EXPLANATIONS FOR FIGURE 36A

Reissued: September 15, 1994

1G21

Island Enterprises

PIPER AIRCRAFT

PA-28-181

AIRPLANE PARTS CATALOG

Figure and Index Number	Part Number	Code	Nomenclature	No. Req.	Serial Numbers Affected
36A-1	89026-02		SEAT ASSEMBLY - Pilot, vertically adjustable	1	
	89026-03		SEAT ASSEMBLY - Copilot, vertically adjustable	1	
-2	89026-06		* BOTTOM ASSEMBLY - Seat, pilot	1	
	89026-07		* BOTTOM ASSEMBLY - Seat, copilot	1	
-2a	554 422		** CABLE ASSEMBLY - Seat track release (crew operated length 2") (PS50146-8-1)	1	
-3	79539-02		** FRAME ASSEMBLY - Seat bottom, pilot	1	
	79539-03		** FRAME ASSEMBLY - Seat bottom, copilot	1	
-4	62833-78		*** WASHER	8	
-5	587 299		*** SPRING - Seat plunger (LC-038F-6SS)	2	
-6	452 386		*** ROLLER - (NAS506-4)	2	
-7	76175-00		*** PLUNGER	2	
-8	76172-03		*** TUBE - Bellcrank	1	
-9	76347-00		*** BELLCRANK ASSEMBLY - Forward	1	
-10	76349-00		*** BELLCRANK ASSEMBLY - Aft	1	
-11	76342-00		*** LINK ASSEMBLY - Seat	1	
-12	76343-00		** TUBE ASSEMBLY - Forward	1	
-13	76351-02		*** BUSHING - Seat	2	
-14	76351-03		*** BUSHING - Seat	2	
-15	37848-02		*** TUBE ASSEMBLY - Aft	1	
-16	79229-00		*** BEARING SHAFT - Seat release, right	1	
-17	79230-00		*** TUBE - Seat reclining	1	
-18	79235-00		*** BUSHING - Seat back release, right	1	
-19	76176-00		*** COVER - Reclining seat	1	
-20	95061-161		*** SPACER-Seat(.248wide)	4	
-21	95061-106		*** SPACER	2	
-22	480 732		*** PIN - Roll (59-040-187-0937)	2	
-23	401 318		*** BOLT- (AN4-20A)	2	
	404 888		*** NUT - (MS20365-428C)	2	
	477 708		*** NUT - (26C448)	2	
-24	400 002		*** BOLT- (AN4-5A)	1	
	494 133		*** WASHER - Nylon (1/4 I.D.)	1	
	407 585		*** WASHER - (AN960-416L)	1	
	404 888		*** NUT - (MS20365-428C)	1	
-25	79442-00		*** HANDLE - Seat back adjustment	1	
-26	480 701		*** PIN - Roll (59-028-125-0625)	3	
-27	480 801		*** PIN - (MS9048-173) (1.37 L)	4	
-28	480 777		*** PIN - (MS9048-100) .50 long	3	
-29	480 789		*** PIN - (MS9048-170)	4	
-30	424 172		*** PIN - (MS20392-2C11)	4	
	407 564		*** WASHER - (AN960-10)	4	
	424 051		*** COTTER PIN - (MS24665-132)	4	
-31	424 203		*** PIN - (MS20392-3C15)	2	
	407 585		*** WASHER - (AN960-416L)	2	
	424 051		*** COTTER PIN - (MS24665-132)	2	
-32	401 318		*** BOLT- (AN4-20A)	2	
-33	19336-00		*** SPRING - Seat back adjustment, left	1	
	19336-01		*** SPRING - Seat back adjustment, right	1	
-34	87332-02		*** ROLLER - Seat	2	
-35	19365-02		*** CAM - Reclining seat	2	
-36	571 149		*** KNOB - (PS10067-1-1)	1	
-37	79207-00		*** HANDLE ASSEMBLY - Seat release	1	
-38	76187-00		*** ARM ASSEMBLY - Seat release	1	
-39	76178-00		*** ARM ASSEMBLY- Seat latch	2	
-40	587 404		** CONTROL ASSEMBLY - Seat adJustment (Gas Spring Corp. P/N 06-10-080-310-025)	1	
-41	37902-06		** ADAPTER - Seat control	1	
-42	37902-08		** CONTROL ARM - Actuator	1	
-42a	89046-08		** COVER - Seat bottom, pilot and copilot	2	

When ordering, always specify Part Number, Description, and Serial Number of Aircraft

Reissued: September 15, 1994

1G22

Island Enterprises

**PIPER AIRCRAFT
PA-28-181
AIRPLANE PARTS CATALOG**

Figure and Index Number	Part Number	Code	Nomenclature	No. Req.	Serial Numbers Affected
36A-42b	37902-05		* *BUSHING -Actuator	1	
-42c	471 084		* * KNOB - Actuator (233)	1	
-43	89023-10		* BACK ASSEMBLY - Seat, pilot	1	
	89023-11		* BACK ASSEMBLY - Seat, copilot	1	
	89023-13		* COVER - Seat back, pilot and copilot	2	
-44	79554-02		* * KNOB - Seat back release	1	
-45	79555-00		* * FRAME ASSEMBLY - Seat back, pilot	1	
	79555-01		* * FRAME ASSEMBLY- Seat back, cepilot	1	
-46	453 732		* * * BUSHING - Seat back, copilot	1	
-47	99718-05		* * STOP ASSEMBLY - Seat latch, copilot	1	
-48	89023-13		* * COVER - Seat back, pilot and copilot	2	

When ordering, always specify Part Number, Description, and Serial Number of Aircraft

Reissued: September 15, 1994

1G23

Island Enterprises

PIPER AIRCRAFT
PA-28-181
AIRPLANE PARTS CATALOG

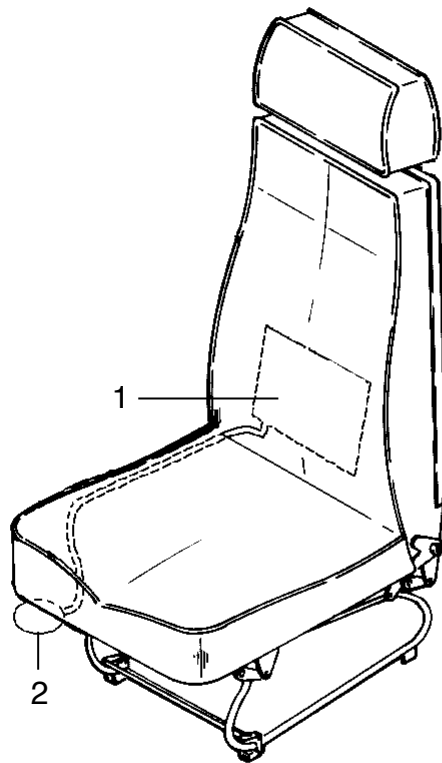


Figure 36B. Lumbar Installation - Crew Seats
(Optional)

Reissued: September 15, 1994

1G24

Island Enterprises

**PIPER AIRCRAFT
PA-28-181
AIRPLANE PARTS CATALOG**

CODE EXPLANATIONS FOR FIGURE 36B

Reissued: September 15, 1994

1H1

Island Enterprises

**PIPER AIRCRAFT
PA-28-181
AIRPLANE PARTS CATALOG**

Figure and Index Number	Part Number	Code	Nomenclature	No. Req.	Serial Numbers Affected
36B-	02585		DRAWING - Lumbar Installation (Crew Seats)		
-1	02585-04		LUMBAR ASSEMBLY - Pilot seat	1	
	02585-05		LUMBAR ASSEMBLY - Copilot seat	1	
	02585-06		* PAD	1	
	686 083		* BLADDER	1	
-2	453 024		PUMP ASSEMBLY	2	
	454 935		CLAMP	2	

When ordering, always specify Part Number, Description, and Serial Number of Aircraft

Reissued: September 15, 1994

1H2

Island Enterprises

**PIPER AIRCRAFT
PA-28-181
AIRPLANE PARTS CATALOG**

THIS PAGE INTENTIONALLY LEFT BLANK

Reissued: September 15, 1994

1H3

Island Enterprises

**PIPER AIRCRAFT
PA-28-181
AIRPLANE PARTS CATALOG**

THIS PAGE INTENTIONALLY LEFT BLANK

PIPER AIRCRAFT
PA-28-181
AIRPLANE PARTS CATALOG

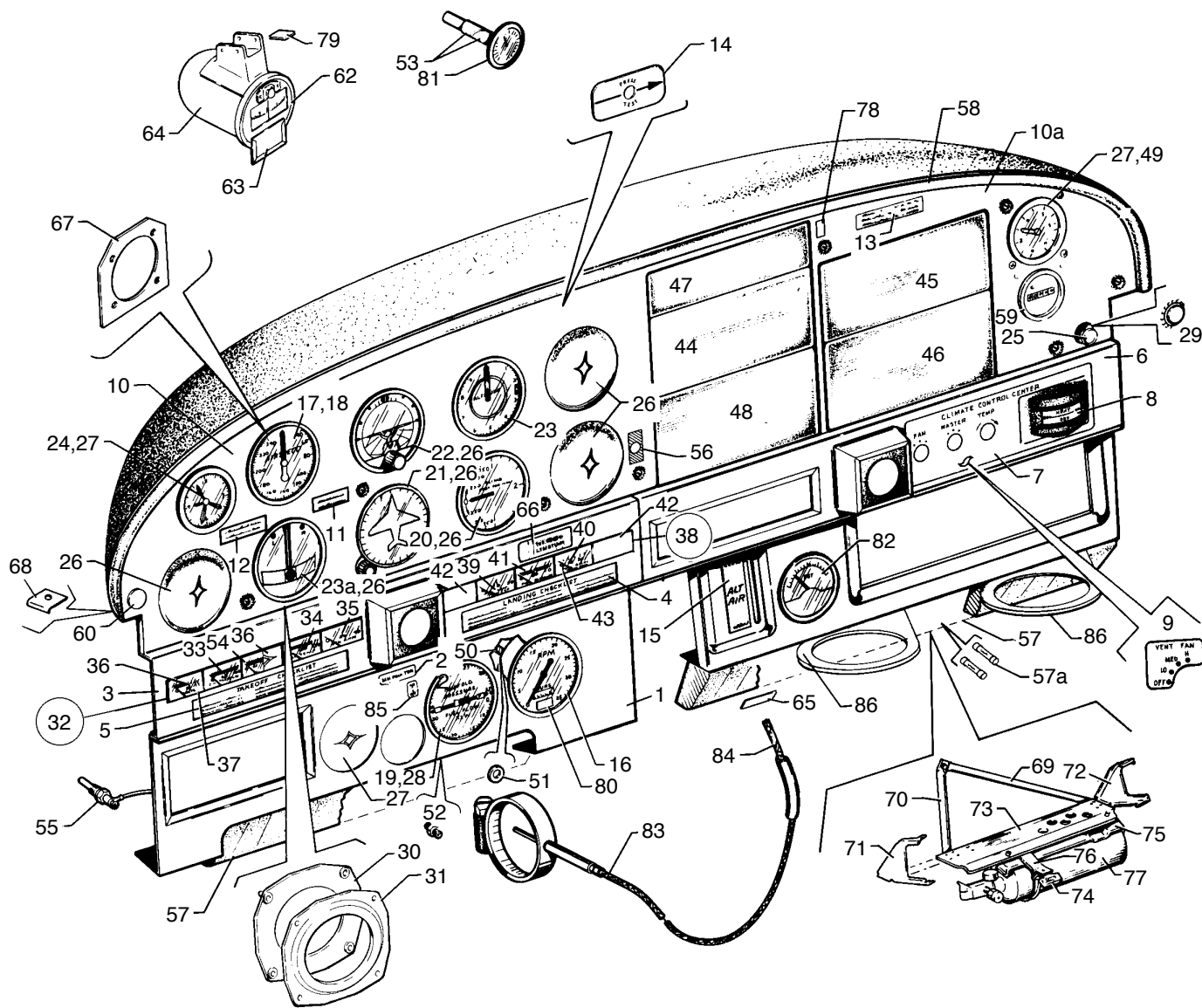


Figure 37. Instrument Panel Installation
 (Serial numbers 28-7690001 thru 28-8690056, 2890001 thru 2890205)

Reissued: September 15, 1994

**PIPER AIRCRAFT
PA-28-181
AIRPLANE PARTS CATALOG**

CODE EXPLANATIONS FOR FIGURE 37

- A - When ordering, specify color.
- B - Used on serial numbers 28-7690001 to 28-7690067, 28-7690069 to 28-7690146, 28-7690148 to 28-7690209, 28-7690211 to 28-7690347, 28-7690349 to 28-7690479 inclusive.
- C - Used on serial numbers 28-7690068, 28-7690147, 28-7690210, 28-7690348, 28-7790001 and up.
- D - When ordering, specify color.
- E - Used if fresh air blower is installed.
- F - Used if air conditioning is installed.
- G - Order part for serial numbers 28-7890162 and up, if the four position fan switch has been replaced with the three position fan switch.
- H - Used if Century 21 AutoPilot is installed.
- J - See Figure 68 if AutoFlite II is installed.
- K - See Figure 69 if AutoControl IIIB is installed.
- L - Instrument not approved IFR.
- M - Used on serial numbers 28-7690068, 28-7690147, 28-7690210, 28-7690348, 28-7790001 to 28-7990626 incl.
- N - Includes cable assembly.
- P - Used on serial numbers 28-7690001 to 28-8190118 inclusive. Also used on serial numbers 28-8190119 and up, if AutoFlite II is installed.
- Q - Used if AutoFlite II is not installed.
- R - See Piper Service Bulletin 811A, or latest revision.
- S - Currently, Halon fire extinguishers are not available, due to Federal mandate. As applicable per specific units, recharge, if available in your local area. No fire extinguisher replacement has yet been identified.
- T - Used if a push-pull pitch trim switch is installed.
- U - Used if a toggle pitch trim switch is installed.
- V - Used if auxiliary vacuum pump is installed.
- W - Used if cigar lighter is not installed.
- Y - Used if King KAP 100/150 AutoPilot is installed.
- Z - DISTRIBUTORS: Before replacing engine gauges and senders, see Piper Aircraft Service Spares Letter 406.

**PIPER AIRCRAFT
PA-28-181
AIRPLANE PARTS CATALOG**

Figure and Index Number	Part Number	Code	Nomenclature	No. Req.	Serial Numbers Affected
37-	67110		DRAWING - Instrument Panel Installation		
	79043		DRAWING - Instrument Panel Cover Installation		
	37872		DRAWING - Fire Extinguisher Installation		28-7990038 and up
	87453		DRAWING - Crew Cup Holder Installation		28-8390038 and up
-1	66918-16	D,P	COVER ASSEMBLY - Instrument panel, lower left	1	
	66918-20	D,Q	COVER ASSEMBLY - Instrument panel, lower left	1	28-8190019 and up
-2	67490-02	T	PLACARD - Pitch trim	1	
	87369-38	U	PLACARD - Pitch trim	1	
-3	67228-09		COVER - Instrument panel, left	1	
-4	99885-00	B	PLACARD - Landing checklist, mph	1	
	99885-02	B	PLACARD - Landing checklist, knots	1	
	69669-127	M	PLACARD - Landing checklist, knots	1	
-5	99886-02		PLACARD - Takeoff checklist	1	28-7690001 to 28-7990626 incl.
-6	67229-06		COVER ASSEMBLY - Instrument panel, right	1	
	99513-03	F,G	COVER ASSEMBLY - Instrument panel, right	1	28-7690001 to 28-7890161 incl.
	99513-05	F	COVER ASSEMBLY - Instrument panel, right	1	28-7890162 and up
	76311-00	E,G	COVER ASSEMBLY - Instrument panel, right	1	28-7690001 to 28-7890161 incl.
	76311-03	E	COVER ASSEMBLY - Instrument panel, right	1	28-7890162 and up
-7	79112-00	F,G	* PLACARD - Climate control center	1	28-7690001 to 28-7690161 incl.
	79112-02	F	* PLACARD - Climate control center	1	28-7890162 and up
-8	67241-00		PLACARD - Heater and defrost	1	
	35669-28		PLACARD - Heater and defrost (lift to actuate)	1	
-9	69669-25	E	PLACARD - Vent fan	1	28-7690001 to 28-7690161 incl.
	35669-38	E	PLACARD - Vent fan	1	28-7890162 and up
-10	79044-06	D	COVER ASSEMBLY - Upper instrument panel, left	1	28-7690001 to 28-7990449 incl.
	36567-03	D	COVER ASSEMBLY - Upper instrument panel, left	1	28-7990450 and up
	36567-05	D,H	COVER ASSEMBLY - Upper instrument panel, left	1	28-8190019 and up
	39877-02	D,Y	COVER ASSEMBLY - Upper instrument panel, left	1	28-8390001 and up
-10a	99959-04	D	COVER ASSEMBLY - Upper instrument panel, right	1	
	99959-05	V	COVER ASSEMBLY - Upper instrument panel, right	1	
-11	65182-04		PLACARD - Maneuvering speed, mph	1	28-7690001 to 28-7690479 incl.
	99735-02	B	PLACARD - Maneuvering speed, knots	1	
	69669-139	M	PLACARD - Maneuvering speed, knots	1	
	35669-136		PLACARD - Maneuvering speed, knots	1	28-8090001 and up
-12	65863-00		PLACARD - Crosswind component, mph	1	28-7690001 to 28-7690479 incl.
	76222-00		PLACARD - Crosswind component, knots	1	28-7690001 to 28-7990626 incl.
-13	63408-00		PLACARD - Oil cooler winterization	1	28-7690001 to 28-7990626 incl.
-14	69669-39		PLACARD - Annunciator, press to test	1	
-15	69544-00		PLACARD - Carburetor air	1	
-16	87379-03		INSTRUMENT - Tachometer assembly	1	28-7690001 to 28-7990626 incl.
	87379-06		INSTRUMENT - Tachometer assembly	1	28-8090001 and up
-17	550 456	B	INSTRUMENT - True airspeed indicator (PS50049-9-2), mph	1	
	548 115	C	INSTRUMENT - True airspeed indicator (PS50049-30T-2), knots	1	
-18	550 460	B	INSTRUMENT - Airspeed indicator (PS50049-14-2), knots	1	
	550 457	B	INSTRUMENT - Airspeed indicator (PS50049-10-2), mph	1	
	548 114	C	INSTRUMENT - Airspeed indicator (PS50049-30S-2), knots	1	
-19	751 118		INSTRUMENT - Manifold pressure gauge (AN5770-1A)	1	
-20	99010-02		INSTRUMENT - Rate of climb	1	
-21	755 427	K	INSTRUMENT - Directional gyro (3 inch)	1	
-22	755 428	K	INSTRUMENT - Gyro horizon	1	
	99002-06		INSTRUMENT - Gyro horizon (with adjusting knob covered)	1	
-23	548 153	L	INSTRUMENT - Altimeter, standard (scale in inches of mercury to 20,000 feet)	1	28-7790001 and up
	550 493		INSTRUMENT - Altimeter, sensitive, (scale in inches of mercury to 20,000 feet)	1	

When ordering, always specify Part Number, Description, and Serial Number of Aircraft

Reissued: September 15, 1994

**PIPER AIRCRAFT
PA-28-181
AIRPLANE PARTS CATALOG**

Figure and Index Number	Part Number	Code	Nomenclature	No. Req.	Serial Numbers Affected
37-23	550 491		INSTRUMENT - Altimeter, sensitive, (scale in millibars to 20,000 feet)	1	
	550 489		INSTRUMENT - Altimeter, sensitive (scale in inches of mercury to 35,000 feet)	1	
	550 488		INSTRUMENT - Altimeter, sensitive (scale in millibars to 35,000 feet)	1	
	548 330		INSTRUMENT - Altimeter, sensitive (scale in inches of mercury and millibars to 20,000 feet)	1	
	548 331		INSTRUMENT - Altimeter, sensitive (scale in inches of mercury and millibars to 35,000 feet)	1	
	548 039		INSTRUMENT - Altimeter, encoding (scale in inches of mercury to 35,000 feet)	1	
	548 040		INSTRUMENT - Altimeter, encoding (scale in millibars to 35,000 feet)	1	
	548 407		INSTRUMENT - Altimeter, encoding (scale in inches of mercury and millibars to 35,000 feet)	1	
-23a	550 483	J	INSTRUMENT - Turn and bank (1234T100-5) electric	1	
	548 190	J	INSTRUMENT - Turn coordinator (1394T100) electric	1	
	548 517	J,N	INSTRUMENT - Turn coordinator (PS50030-13-2) (with internal lighting)	1	28-8090279 and up
-24	99478-00		INSTRUMENT - Clock	1	
	548 868		INSTRUMENT - Clock, electric (MD88P)	1	
-25	472 969		LIGHTER - Cigar (208634)	1	
-26	67431-00		PLATE ASSEMBLY - Instrument panel	6	
-27	67431-04		PLATE - Instrument panel	3	
-28	67475-03		PLATE ASSEMBLY - Instrument panel	1	28-7690001 to 28-7690479 incl.
	67431-00		PLATE ASSEMBLY - Instrument panel	1	28-7790001 and up
-29	453 687	W	BUTTON - Plug (SS-48189)	1	
-30	68169-00	J	PLATE ASSEMBLY - Pictorial rate of turn	1	
-31	67466-00		COVER - Pictorial rate of turn	1	
-32	95241-11	Z	CLUSTER ASSEMBLY - Instrument, left	1	
	86552-07	Z	CLUSTER ASSEMBLY - Instrument, left	1	
-33	38226-00	Z	* INSTRUMENT - Oil pressure	1	
	87382-02	Z	* INSTRUMENT - Oil pressure	1	
-34	79367-00	Z	* INSTRUMENT - Oil temperature	1	
	548 799	Z	* INSTRUMENT - Oil temperature (PAC87366-02)	1	
-35	763 053	R,Z	* INSTRUMENT - Ammeter (89037)	1	
	548 800	R,Z	* INSTRUMENT - Ammeter (87367-02)	1	
-36	79376-00	Z	* COVER - Instrument cluster	2	
	87368-02	Z	* GAUGE - Dummy	2	
-37	79381-00	Z	* LENS - Cluster assembly	1	
-38	95241-14	Z	CLUSTER ASSEMBLY - Instrument, right	1	
	86552-09	Z	CLUSTER ASSEMBLY - Instrument, right	1	
-39	79364-00	Z	* INSTRUMENT - Fuel gauge, left main	1	
	87390-02	Z	* INSTRUMENT - Fuel gauge, left main	1	
-40	79363-00	Z	* INSTRUMENT - Fuel gauge, right main	1	
	87389-02	Z	* INSTRUMENT - Fuel gauge, right main	1	
-41	79370-00	Z	* INSTRUMENT - Fuel pressure	1	
	87391-02	Z	* INSTRUMENT - Fuel pressure	1	
-42	79376-00	Z	* COVER - Instrument cluster	2	
	87368-02	Z	* GAUGE - Dummy	2	
-43	79381-00	Z	* LENS - Cluster assembly	1	
-44	99060-06	D	COVER ASSEMBLY - Radio opening, 6.56 x 3.25	1	
-45	99059-06	D	COVER ASSEMBLY - Radio opening, 6.56 x 2.90	1	
-46	99061-06	D	COVER ASSEMBLY - Radio opening, 6.56 x 3.56	1	
-47	99062-06	D	COVER ASSEMBLY - Radio opening, 6.50 x 1.78	1	

When ordering, always specify Part Number, Description, and Serial Number of Aircraft

Reissued: September 15, 1994

1H8

Island Enterprises

**PIPER AIRCRAFT
PA-28-181
AIRPLANE PARTS CATALOG**

Figure and Index Number	Part Number	Code	Nomenclature	No. Req.	Serial Numbers Affected
37-48	99061-06	D	COVER ASSEMBLY - Radio opening, 6.56 x 3.56	1	
	99064-06	D	COVER ASSEMBLY - Radio opening, 6.50 x 3.80	1	
	99066-00	D	COVER ASSEMBLY - Radio opening, 6.50 x 1.25	1	
	69518-06	D	COVER ASSEMBLY - Radio opening, 6.50 x 0.60	1	
-49	99480-00		GAUGE - Suction (1G10-1)	1	
-50	486 570		SHAFT - Tachometer (PS50044-2)	1	
-51	85012-14		WASHER - Tachometer shaft	1	
-52	460 682		CONNECTOR - Manifold pressure gauge (W/H 48 x 4)	1	
-53	79314-00		SPACER - Air temperature gauge, inner	1	
	79314-02		SPACER - Air temperature gauge, outer	1	
-54	550 548	Z	GAUGE - Cylinder head temperature	1	
-55	550 549	Z	SENDER - Cylinder head temperature	1	
-56	99921-00		PLACARD - Air conditioning door open	1	
-57	76205-00	A	CHANNEL ASSEMBLY - Shin guard, left	1	28-7690001 to 28-8190192 incl.
	76205-05	A	CHANNEL ASSEMBLY - Shin guard, left	1	28-8190193 and up
	99950-00	A	CHANNEL ASSEMBLY - Shin guard, right	1	
-57a	461 629		* FUSE - Spare (311005)	2	
-58	99952-00		SHIELD ASSEMBLY - Glare, black	1	
-59	36660-02		INDICATOR - Engine hour meter	1	
-60	453 709		BUTTON - Plug (SS-48152), black	1	
-61	79527-02	D	COVER ASSEMBLY - Instrument panel, lower, right	1	
-62	67462-02		COMPASS ASSEMBLY - (C-2200-L4-B)	1	
-63	79650-02		* HOLDER - Compass card	1	
-64	79600-00		HOUSING ASSEMBLY - Compass	1	
-65	35669-130		PLACARD - Emergency bus switch	1	28-8090001 and up
-66	35669-14		PLACARD - Fuel gauge warning	1	28-7690001 to 28-7790192 incl.
-67	99214-00		PLATE - Support	AR	
-68	79125-00		CAP - Trim, left	1	
	79125-01		CAP - Trim, right	1	
-69	37872-03		BRACE - Fire extinguisher support	1	28-7990038 and up
-70	37872-04		BRACE - Fire extinguisher support	1	28-7990038 and up
-71	37872-05		BRACKET ASSEMBLY - Fire extinguisher	1	28-7990038 and up
-72	37872-07		BRACKET ASSEMBLY - Fire extinguisher	1	28-7990038 and up
-73	35680-26		BRACKET ASSEMBLY - Fire extinguisher	1	28-7990038 and up
-74	35680-11		TAB ASSEMBLY - Fire extinguisher	1	28-7990038 and up
-75	35680-12		BRACKET ASSEMBLY - Fire extinguisher	1	28-7990038 and up
-76	35680-22		BRACKET - Fire extinguisher	1	28-7990038 and up
-77	459 849	S	FIRE EXTINGUISHER - (HA1014-01)	1	28-7990038 and up
-78	35669-125		PLACARD - Radio power, ON-OFF	1	28-8090001 and up
-79	87369-27		PLACARD - Caution	1	28-8090094 and up
-80	35669-179		PLACARD - RPM instructions	1	28-8090001 and up
-81	99479-02		GAUGE - Air temperature	1	
-82	751 912		GAUGE - Mixture control indicator (Alcor)	1	
-83	757 310		PROBE ASSEMBLY - Mixture control (Alcor)	1	
-84	756 616		WIRE ASSEMBLY - Mixture control, 90" (Alcor)	1	
-85	87369-39	U	PLACARD - ON-OFF	1	
-86	87451-03		HOLDER - Crew cup	2	28-8390001 and up

When ordering, always specify Part Number, Description, and Serial Number of Aircraft

Reissued: September 15, 1994

**PIPER AIRCRAFT
PA-28-181
AIRPLANE PARTS CATALOG**

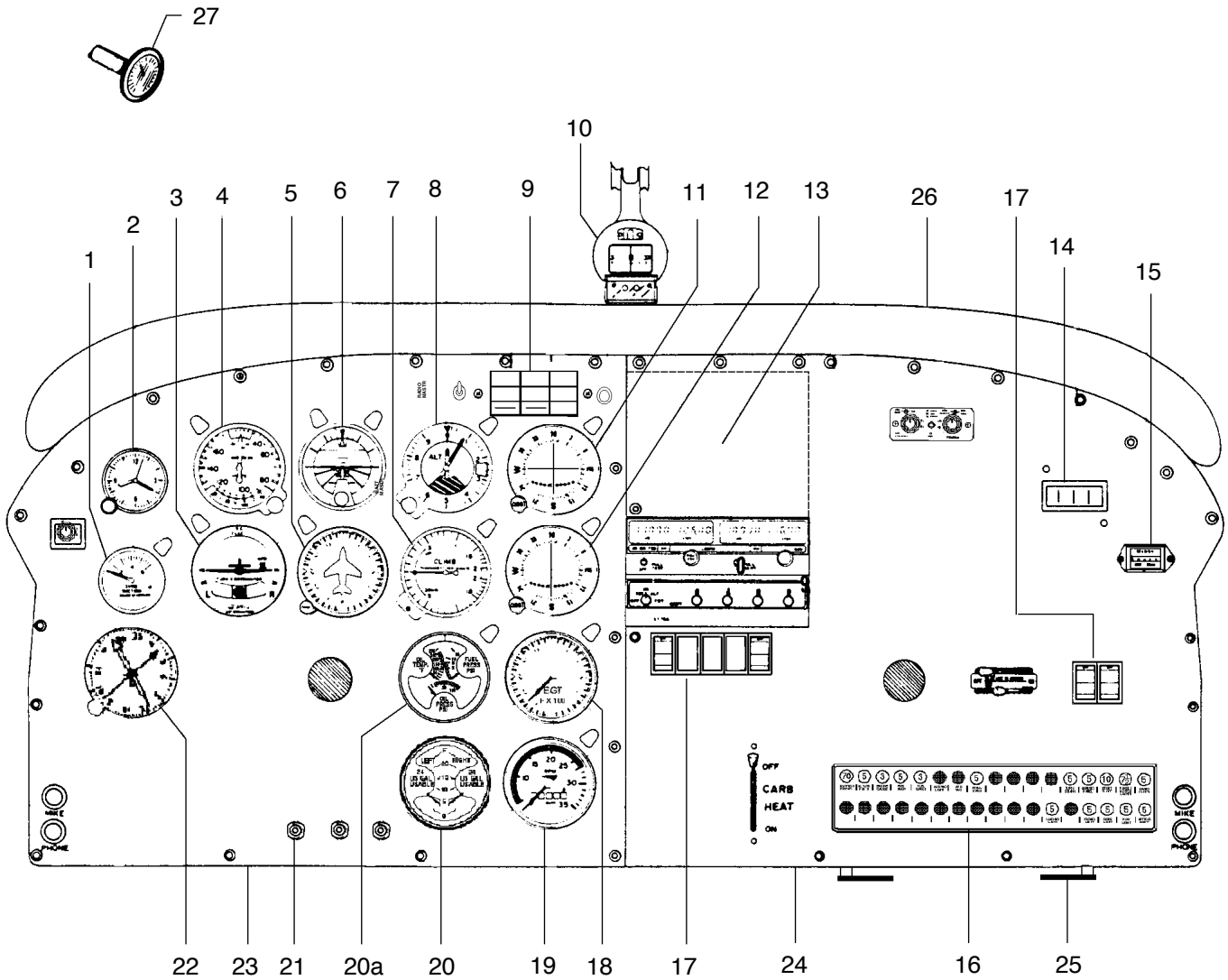


Figure 37A. Instrument Panel Installation
(Serial numbers 2890206 and up)

Reissued: September 15, 1994

1H10

Island Enterprises

**PIPER AIRCRAFT
PA-28-181
AIRPLANE PARTS CATALOG**

CODE EXPLANATIONS FOR FIGURE 37A

- A - See Figure 60A, Instrument Panel Electrical Installation.
- B - See Figure 60A, Instrument Panel Electrical Installation. Also see Figure 60B, Overhead Switch Panel.
- C - Part of Optional Avionics Package. See Optional Avionics Drawings, located in the Electronics Group, Section XII, of this catalog.
- D - Optional equipment.

Reissued: September 15, 1994

1H11

Island Enterprises

**PIPER AIRCRAFT
PA-28-181
AIRPLANE PARTS CATALOG**

Figure and Index Number	Part Number	Code	Nomenclature	No. Req.	Serial Numbers Affected
37A-	85433		DRAWING - Instruments Installation		2890206 and up
	85492		DRAWING - Instrument Panel		2890206 and up
	85476		DRAWING - Outside Air Temperature Indicator Installation		2890206 and up
-1	99480-03		INDICATOR - Vacuum gauge (599 537)	1	
-2	548 868		INDICATOR - Clock	1	
-3	548 190		INDICATOR - Turn and bank	1	
-4	599 562		INDICATOR - Airspeed	1	
-5	548 435		INDICATOR - Directional gyro	1	
-6	548 460		INDICATOR - Gyro horizon	1	
-7	550 556		INDICATOR - Rate of climb	1	
-8	599 549		INDICATOR - Altimeter	1	
-9	-----	A	PANEL ASSEMBLY - Annunciator	1	
-10	67462-08		INDICATOR - Compass assembly	1	
	598 599		* INDICATOR - Compass	1	
	79650-800		* HOLDER - Compass card	1	
-11	548 290	C	INDICATOR - KI-204 VOR / LOC - Glideslope	1	
-12	548 289		INDICATOR - KI-203 VOR / LOC	1	
-13	-----	C	-----		
-14	548 885		INDICATOR - Ammeter	1	
-15	51006-00		INDICATOR - Engine hour meter (550 580)	1	
-16	-----	A	PANEL ASSEMBLY - Circuit breaker	1	
-17	-----	B	SWITCHES	1	
-18	599 543		INDICATOR - Exhaust gas temperature	1	
-19	599 282		INDICATOR - Tachometer	1	
-20	599 551		INDICATOR - Dual fuel quantity gauge	1	
-20a	599 552		INDICATOR - Engine gauge (oil temperature, oil pressure, fuel pressure)	1	
-21	571 192		KNOB - Dimmer control	3	
-22	598 181	C	INDICATOR - KI-227 ADF	1	
-23	85492-02		PANEL - Instrument, left (IFR)	1	
	85492-08		PANEL - Instrument, left (VFR)	1	
-24	85492-03		PANEL - Instrument, right (IFR)	1	
	85492-09		PANEL - Instrument, right (VFR)	1	
-25	87451-04	D	HOLDER - Crew cup, right	1	
	87451-05	D	HOLDER - Crew cup, left	1	
	411 531		SCREW - (MS35207-262)	2	
	87466-02		SPACER	2	
	408 836		WASHER - Spring	2	
-26	89305-23		GLARESHIELD ASSEMBLY	1	
-27	87702-07		INDICATOR ASSEMBLY - Outside air temperature	1	
	83932-07		BRACKET ASSEMBLY - Outside air temperature indicator	1	

When ordering, always specify Part Number, Description, and Serial Number of Aircraft

Reissued: September 15, 1994

1H12

Island Enterprises

**PIPER AIRCRAFT
PA-28-181
AIRPLANE PARTS CATALOG**

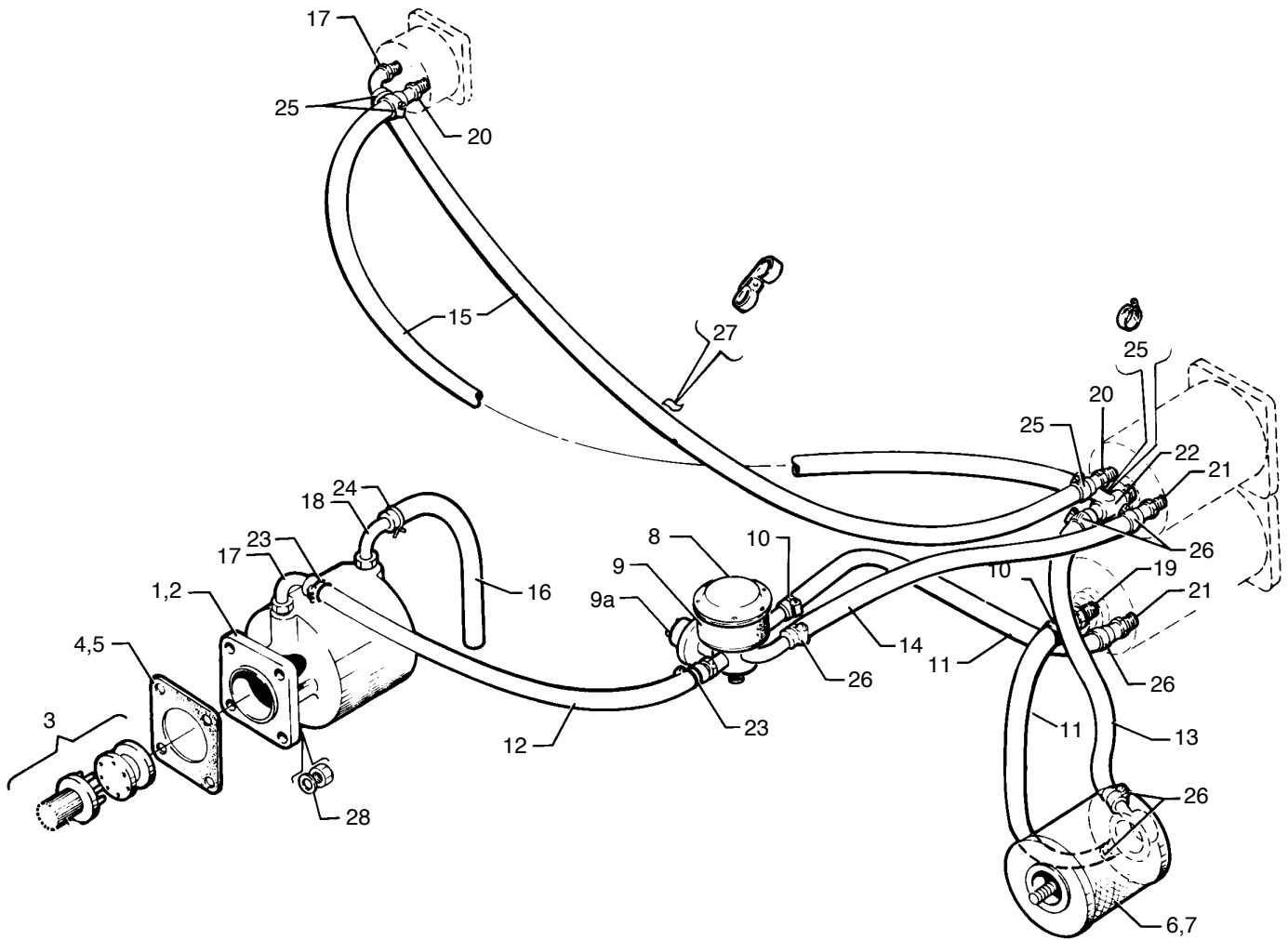


Figure 38. Vacuum System Installation
(Serial numbers 28-7690001 thru 28-8690056, 2890001 thru 2890205)

Reissued: September 15, 1994

1H13

Island Enterprises

**PIPER AIRCRAFT
PA-28-181
AIRPLANE PARTS CATALOG**

CODE EXPLANATIONS FOR FIGURE 38

- A - Used with Vacuum Pump 26749-07 (Airborne 211CC) only.
- B - Used with Vacuum Pump 36535-02 (Edo-Aire 1U128-200) only.
- C - See Figure 69B if King KAP 100/150 AutoPilot is installed.

**PIPER AIRCRAFT
PA-28-181
AIRPLANE PARTS CATALOG**

Figure and Index Number	Part Number	Code	Nomenclature	No. Req.	Serial Numbers Affected
38-	69272		DRAWING - Vacuum System Installation		
-1	450 380		KIT - Vacuum pump drive (69439)	1	
-2	26749-07		PUMP - Dry vacuum (Airborne 211CC)	1	
	36535-02		PUMP - Dry vacuum (Edo-Aire 1U128-200)	1	
-3	753 910	A	* COUPLING ASSEMBLY KIT - Vacuum pump drive (350)	1	
-4	751 859	A	* GASKET - Vacuum pump mounting (B3-1-2)	1	
-5	462 023	B	* GASKET - Vacuum pump mounting (AN4045-1)	1	
-6	460 888		FILTER ASSEMBLY - Air (66673-00)	1	
-7	757 899		* CARTRIDGE - Air filter (D9-18-1)	1	
-8	492 240		VALVE - Suction regulating (A/M2H3-19)	1	
-9	751 815		* FILTER - Regulating (B3-5-1)	1	
-9a	757 790		* SWITCH - (F7-16-1)	1	
-10	554 598	C	CLAMP - (NAS397-12)	2	
-11	63913-07	C	HOSE - Directional gyro to air filter	2	
-12	63913-81		HOSE - Regulating valve to vacuum pump	1	
-13	63913-44		HOSE - Gyro horizon to air filter	1	
-14	63913-47	C	HOSE - Gyro horizon to regulating valve (11.50" L)	1	
-15	63913-49	C	HOSE - Gyro horizon to suction gauge	2	
-16	63904-29	A	HOSE - Vacuum pump exhaust	1	
	63913-64	B	HOSE - Vacuum pump exhaust	1	
-17	458 958		ELBOW - (1K1-6-10)	1	
-18	558 900	A	ELBOW - (1K8-6-8)	1	
	458 958	B	ELBOW - (1K1-6-10)	1	
-19	558 912		ELBOW - (1K9-4-6)	1	
-20	451 881	C	ADAPTER - (1K10-2-4)	2	
-21	451 939	C	ADAPTER - (1K10-4-6)	2	
-22	460 836		FITTING - (1K31-4-6-4)	1	
-23	454 981		CLAMP - (SAE TY A-1 5/16)	2	
-24	554 985	A	CLAMP - (SAE TY E-11)	1	
	554 808	B	CLAMP - (SAE TYE-13)	1	
-25	554 861		CLAMP - (SAE TY F-4)	4	
-26	554 888		CLAMP - (SAE TY F-6)	6	
-27	554 958	C	CLAMP - (PS10017-8-8)	2	
-28	404 004		NUT - (PS10024-420)	4	
	407 565		WASHER - (AN960-416)	4	

When ordering, always specify Part Number, Description, and Serial Number of Aircraft

Reissued: September 15, 1994

1H15

Island Enterprises

**PIPER AIRCRAFT
PA-28-181
AIRPLANE PARTS CATALOG**

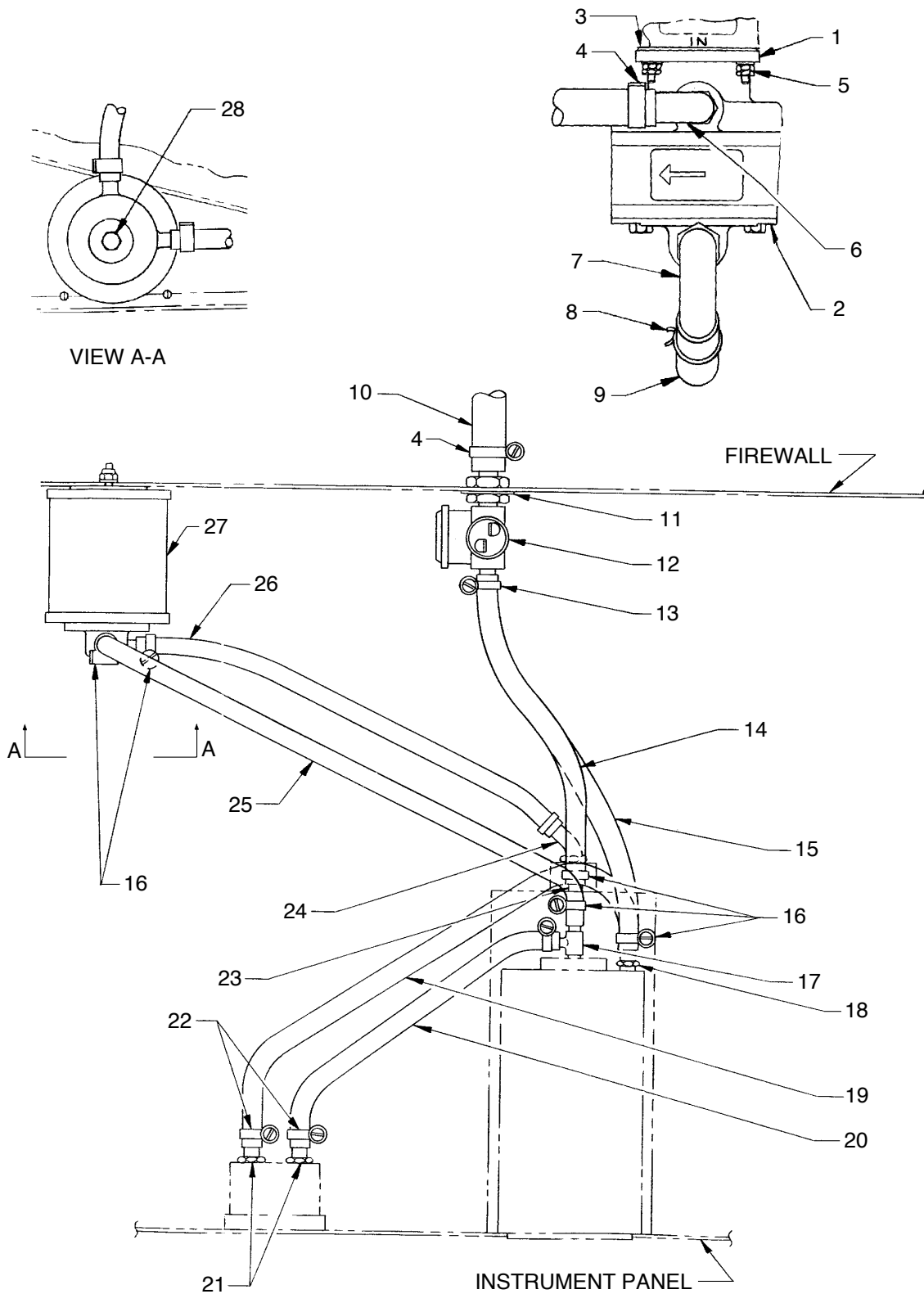


Figure 38A. Vacuum System Installation
(Serial numbers 2890206 and up)

Reissued: September 15, 1994

1H16

Island Enterprises

**PIPER AIRCRAFT
PA-28-181
AIRPLANE PARTS CATALOG**

CODE EXPLANATIONS FOR FIGURE 38A

- A - Supplied as part of Vacuum Pump Drive Kit.
- B - These fittings are used only when suction gauge is supplied without fittings.

Reissued: September 15, 1994

1H17

Island Enterprises

**PIPER AIRCRAFT
PA-28-181
AIRPLANE PARTS CATALOG**

Figure and Index Number	Part Number	Code	Nomenclature	No. Req.	Serial Numbers Affected
38A-	85434		DRAWING - Vacuum System Installation		2890206 and up
-1	450 380		KIT - Vacuum pump drive	1	
-2	79399-00		PUMP - Dry vacuum (211CC)	1	
-3	461 907		GASKET - Vacuum pump mounting	1	
-4	554 793		CLAMP - (SAE TY F-8)	2	
-5	405 580	A	NUT - (1/4 - 20)	4	
	407 565	A	WASHER - (AN960-416)	4	
	477 850		NUT - (MS27151-12)	4	
-6	458 958		ELBOW	1	
-7	558 900		ELBOW	1	
-8	554 985		CLAMP - (SAE TY E-11)	1	
-9	63904-29		HOSE - Vacuum pump exhaust	1	
-10	63913-81		HOSE - Regulating valve to vacuum pump	1	
-11	407 595		WASHER - (AN960-1416L)	1	
-12	492 240		VALVE - Vacuum regulating (2H3-19)	1	
-13	554 888		CLAMP - Upper (SAE TY F-6)	1	
	554 598		CLAMP - Lower (NAS397-12)	1	
-14	63913-07		HOSE - Directional gyro to regulating valve	1	
-15	63913-47		HOSE - Attitude gyro to regulating valve	1	
-16	554 888		CLAMP - (SAE TY F-6)	5	
-17	560 835		FITTING	1	
-18	451 881		FITTING - Lower	1	
	451 939		ADAPTER - Upper	1	
-19	84013-26		HOSE - Vacuum source	1	
-20	84013-28		HOSE - Vent	1	
-21	451 881	B	FITTING	2	
-22	554 861		CLAMP - (SAE TY F-4)	4	
-23	451 939		ADAPTER	1	
-24	558 913		ELBOW	1	
	554 598		CLAMP - (NAS397-12)	1	
-25	63913-07		HOSE - Attitude gyro to air filter	1	
-26	63913-44		HOSE - Directional gyro to air filter	1	
-27	460 888		FILTER ASSEMBLY - Air (66673-00)	1	
	757 899		* CARTRIDGE - Air filter	1	
-28	63900-145		SPACER	1	
	407 564		WASHER - (AN960-10)	1	
	404 887		NUT - (MS20365-1032C)	1	

When ordering, always specify Part Number, Description, and Serial Number of Aircraft

Reissued: September 15, 1994

1H18

Island Enterprises

PIPER AIRCRAFT
PA-28-181
AIRPLANE PARTS CATALOG

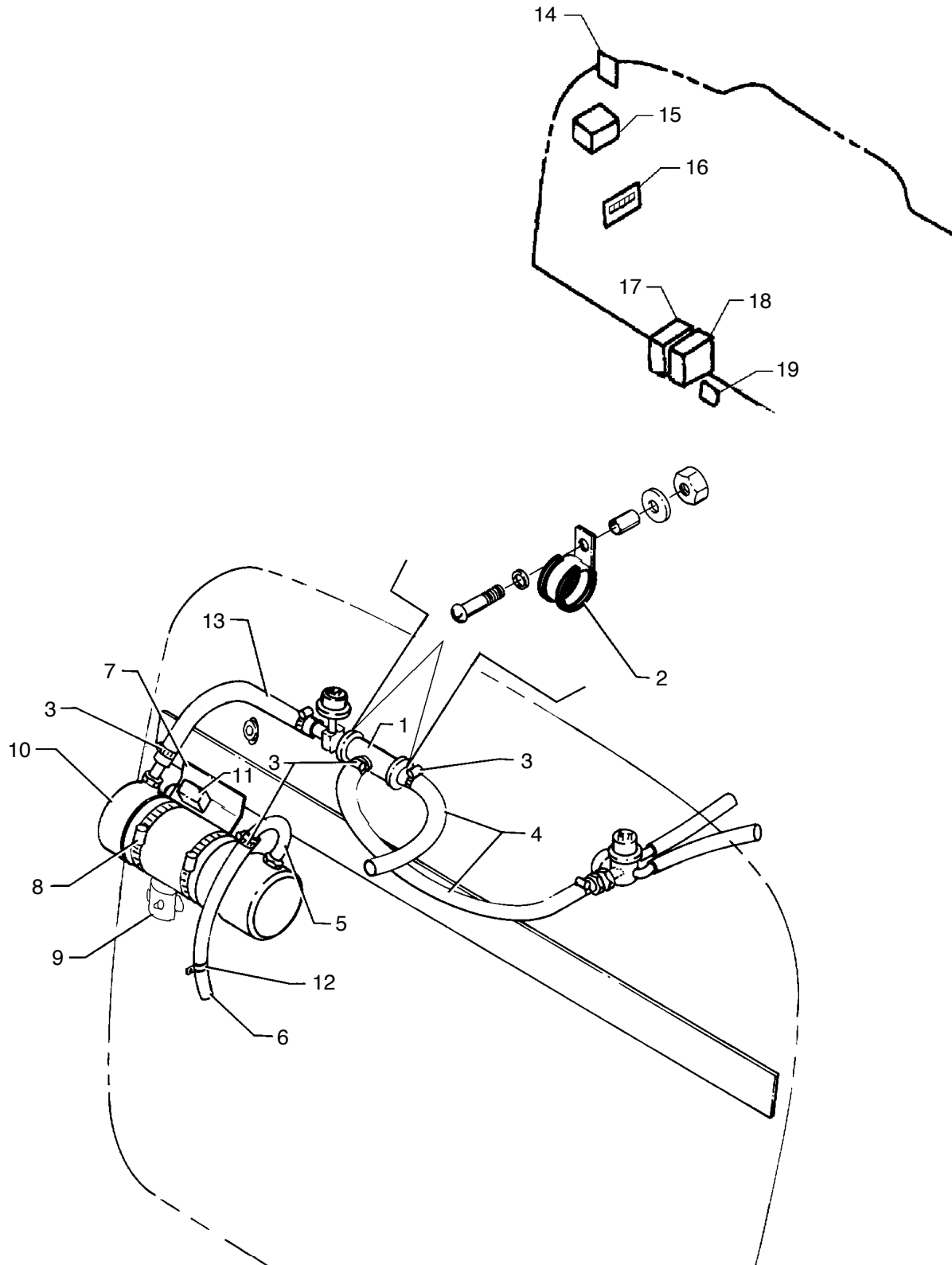


Figure 38B. Auxiliary Vacuum System Installation

Reissued: September 15, 1994

1H19

Island Enterprises

**PIPER AIRCRAFT
PA-28-181
AIRPLANE PARTS CATALOG**

CODE EXPLANATIONS FOR FIGURE 38B

- A - Used on 14 volt system only.
- B - Used on 28 volt system only.
- C - Part of Kit 566 524.
- D - Part of Kit 481 881.
- E - Either circuit breaker may be used.
- F - Not used on serial numbers 2890206 and up.

**PIPER AIRCRAFT
PA-28-181
AIRPLANE PARTS CATALOG**

Figure and Index Number	Part Number	Code	Nomenclature	No. Req.	Serial Numbers Affected
38B-	87774 85387		DRAWING - Auxiliary Vacuum Pump Installation DRAWING - Auxiliary Vacuum Pump Installation		2890206 and up
-1	761 821	C,D	MANIFOLD - (1H5-24)	1	
-2	454 977		CLAMP	2	
	82695-24		SPACER	2	
	411 536		SCREW - (MS35207-267)	2	
	407 564		WASHER - (AN960-10)	2	
	407 800		WASHER - (AN970-3)	2	
	407 887		NUT - (MS20365-1032C)	2	
-3	554 659		CLAMP - (SAE-TY-F8)	6	
-4	84013-84		HOSE	2	
-5	558 900	C,D	ELBOW - (1K8-6-8)	1	
-6	84013-87		HOSE	1	
-7	87769-02		BRACKET ASSEMBLY	1	
	85491-02		BRACKET ASSEMBLY	1	2890206 and up
-8	654 186		CLAMP	2	
-9	762 669	A,C	RELAY - (F7-64-2)	1	
	762 681	B,D	RELAY - (F7-64-1)	1	2890206 and up
-10	765 551	A,C	PUMP ASSEMBLY - Auxiliary (4A3-1)	1	
	765 648	B,D	PUMP ASSEMBLY - Auxiliary (4A2-1)	1	2890206 and up
-11	754 895	C,D	FILTER ASSEMBLY - EMI (F7-84-1)	1	
-12	454 868		CLAMP	1	
	415 544		SCREW - (MS35206-244)	1	
	407 563		WASHER - (AN960-8)	1	
	404 910		NUT - (MS20365-832C)	1	
-13	84013-82		HOSE	1	
-14	765 553	C,D	PLACARD - Caution reduce amp load (B4-203-1)	1	
-15	87777-02	A	SWITCH ASSEMBLY	1	
	87777-08	B	SWITCH ASSEMBLY	1	2890206 and up
-16	765 014	A,C	ETI ASSEMBLY - (F7-97-1)	1	
	765 019	B,D	ETI ASSEMBLY - (F7-97-2)	1	2890206 and up
-17	454 709	E	CIRCUIT BREAKER - (20 amp)	1	
	454 743	E	CIRCUIT BREAKER - (20 amp)	1	
	454 797		CIRCUIT BREAKER - (20 amp)	1	2890206 and up
-18	454 706	E	CIRCUIT BREAKER - (5 amp)	1	
	454 668	E	CIRCUIT BREAKER - (5 amp)	1	
	454 738		CIRCUIT BREAKER - (5 amp)	1	2890206 and up
-19	87369-60	F	PLACARD - Aux vac system circuit breakers	1	

When ordering, always specify Part Number, Description, and Serial Number of Aircraft

Reissued: September 15, 1994

1H21

Island Enterprises

**PIPER AIRCRAFT
PA-28-181
AIRPLANE PARTS CATALOG**

THIS PAGE INTENTIONALLY LEFT BLANK

**PIPER AIRCRAFT
PA-28-181
AIRPLANE PARTS CATALOG**

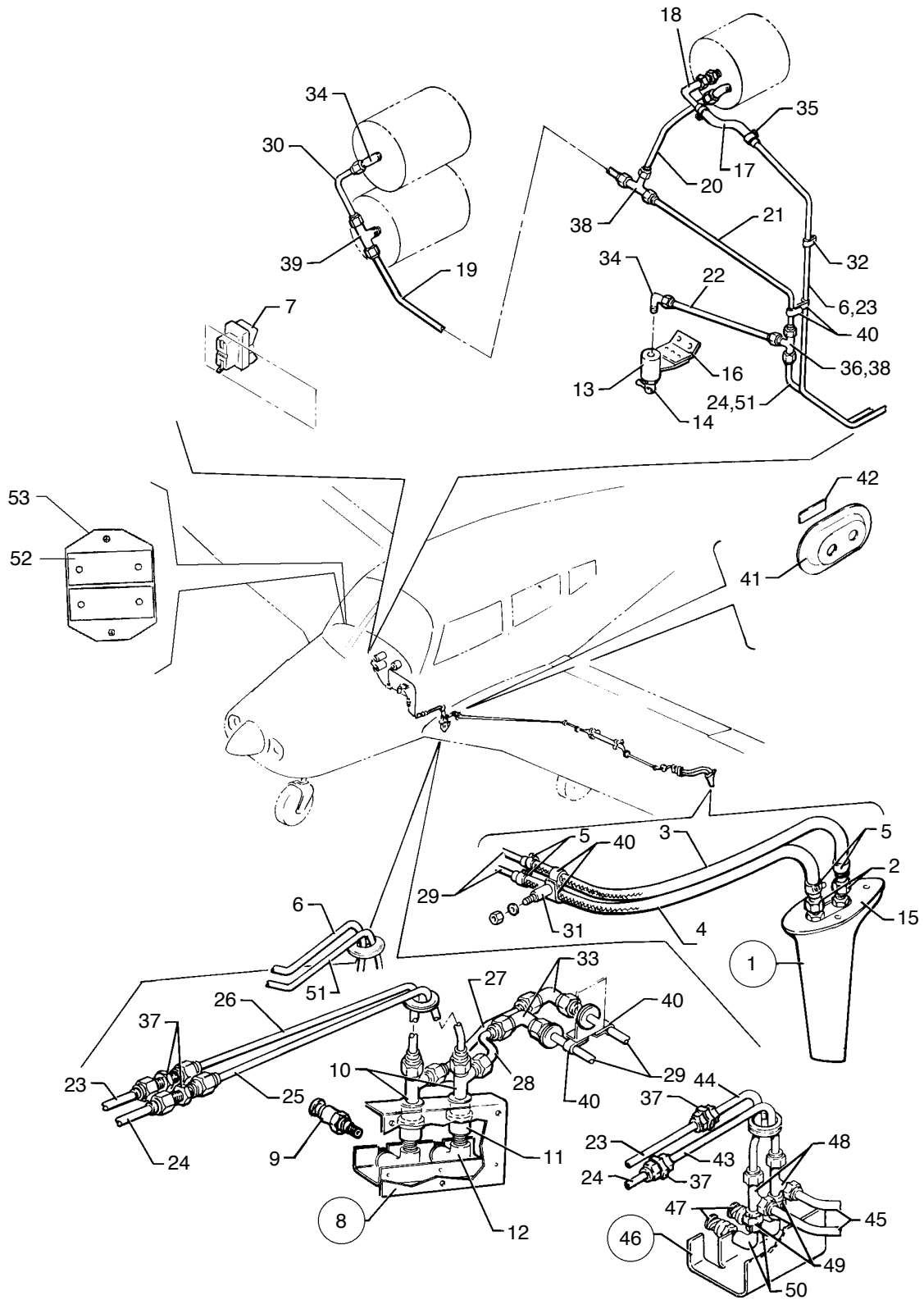


Figure 39. Pitot Static System Installation

Reissued: September 15, 1994

1H23

**PIPER AIRCRAFT
PA-28-181
AIRPLANE PARTS CATALOG**

CODE EXPLANATIONS FOR FIGURE 39

- A - Used if encoding altimeter is installed.
- B - Used if heated pitot head is installed.
- C - When ordering, specify color.
- D - See Figure 67 if electric trim stop sensor is installed.
- E - Used if alternate static system is installed.

**PIPER AIRCRAFT
PA-28-181
AIRPLANE PARTS CATALOG**

Figure and Index Number	Part Number	Code	Nomenclature	No. Req.	Serial Numbers Affected
39-	35493		DRAWING - Pitot Static System Installation		
-1	65797-07		HEAD ASSEMBLY - Pitot (unheated)	1	
	69041-07		HEAD ASSEMBLY - Pitot (heated)	1	28-7690001 to 28-8290061 incl.
	96392-05		HEAD ASSEMBLY - Pitot (heated)	1	28-8290062 and up
	96392-10		HEAD ASSEMBLY - Pitot (heated) 28V	1	2890206 and up
-2	556 105		* CONNECTOR - (W/H 1068 x 4)	2	
-3	63913-123		* HOSE - Pitot	1	
-4	63913-122		* HOSE - Pitot	1	
-5	554 861		* CLAMP - (GS-4)	2	
-6	67700-300		TUBE ASSEMBLY - Pitot pressure	1	28-7990109 and up
-7	99377-04		SWITCH - Heated pitot	1	
	688 296		SWITCH - Heated pitot (8941K699)	1	2890206 and up
	472 200		LAMP	2	2890206 and up
	561 027		FILTER - (1813/31LW-1)	2	2890206 and up
	84622-25		CAP - Switch	1	2890206 and up
-8	35574-00		SUMP ASSEMBLY - Pitot static	1	28-7690001 to 28-7790607 incl.
-9	492 241		* VALVE - (PS50036-2-2)	1	28-7690001 to 28-7790607 incl.
-10	488 310		* TEE - (AN826-3D)	2	28-7690001 to 28-7790607 incl.
-11	455 173		* COUPLING - (AN910-1D)	2	28-7690001 to 28-7790607 incl.
-12	35696-02		* ELBOW - Pitot static	1	28-7690001 to 28-7790607 incl.
-13	96143-00		VALVE ASSEMBLY - Static air vent	1	
	96143-11		VALVE ASSEMBLY - Static air vent	1	2890206 and up
-14	492 100		* VALVE - (CAA-7450)	1	
-15	69042-02		GASKET - Pitot head	1	
	69042-00	B	GASKET - Pitot head	1	
-16	78113-00		CLIP ASSEMBLY - Alternate static source	1	
-17	63913-106		HOSE - Pitot pressure	1	
-18	63207-00		TUBE - Pitot	1	
-19	67700-65		TUBE ASSEMBLY - Pitot static	1	
-20	67700-66		TUBE ASSEMBLY - Pitot static	1	
-21	67700-67		TUBE ASSEMBLY - Pitot static	1	
-22	67700-172		TUBE ASSEMBLY - Pitot static	1	
-23	67700-69	D	TUBE ASSEMBLY - Pitot pressure	1	28-7690001 to 28-7990108 incl.
-24	67700-70		TUBE ASSEMBLY - Pitot static	1	28-7690001 to 28-7990108 incl.
-25	67700-71		TUBE ASSEMBLY - Pitot static	1	28-7690001 to 28-7790607 incl.
-26	67700-72		TUBE ASSEMBLY - Pitot pressure	1	28-7690001 to 28-7790607 incl.
-27	67700-73		TUBE ASSEMBLY - Pitot pressure	1	28-7690001 to 28-7790607 incl.
-28	67700-74		TUBE ASSEMBLY - Pitot static	1	28-7690001 to 28-7790607 incl.
-29	67700-80		TUBE ASSEMBLY - Pitot	2	28-7690001 to 28-7790607 incl.
-30	95153-101		TUBE ASSEMBLY - Pitot static	1	
	95153-158	A	TUBE ASSEMBLY - Pitot static	1	
-31	63900-25		BUSHING	1	
-32	554 953		CLAMP - (PS10017-8-3)	1	
-33	458 879		ELBOW - (AN921-3D)	2	28-7690001 to 28-7790607 incl.
-34	458 893		ELBOW - (AN822-3D)	1	
-35	554 861		CLAMP - (SAE TY F-4)	6	
-36	491 059		UNION - (AN832-3D)	1	
-37	491 049		UNION - (AN815-3D)	2	28-7690001 to 28-7990108 incl.
-38	488 315	E	TEE - (AN824-3D)	2	
-39	488 380		TEE - (AN825-3D)	1	
	491 059		UNION - (AN832-3D)	1	
-40	454 928		CLAMP - (PS10017-2-3)	10	
-41	35507-02	C	COVER ASSEMBLY - Pitot static drain	1	
-42	69669-115		* PLACARD - Pitot drain	1	
-43	67700-183		TUBE ASSEMBLY - Pitot static	1	28-7890001 to 28-7990108 incl.
-44	67700-184		TUBE ASSEMBLY - Pitot pressure	1	28-7890001 to 28-7990108 incl.
-45	67700-403		TUBE ASSEMBLY - Pitot	2	28-7890001 and up

When ordering, always specify Part Number, Description, and Serial Number of Aircraft

Reissued: September 15, 1994

**PIPER AIRCRAFT
PA-28-181
AIRPLANE PARTS CATALOG**

Figure and Index Number	Part Number	Code	Nomenclature	No. Req.	Serial Numbers Affected
39-46	37994-02		SUMP ASSEMBLY - Pitot static	1	28-7890001 and up
-47	492 241		* VALVE - (PS50036-2-2)	2	28-7890001 and up
-48	488 310		* TEE - (AN826-3D)	2	28-7890001 and up
-49	455 173		* COUPLING - (AN910-1D)	2	28-7890001 and up
-50	35696-02		* ELBOW - Pitot static	2	28-7890001 and up
-51	67700-301		TUBE ASSEMBLY - Pitot static	1	28-7990109 and up
-52	85378-02		SENSOR ASSEMBLY - Pitot heat	1	2890206 and up
-53	85377-02		* BRACKET - Pitot heat sensor assembly	1	2890206 and up

When ordering, always specify Part Number, Description, and Serial Number of Aircraft

Reissued: September 15, 1994

**PIPER AIRCRAFT
PA-28-181
AIRPLANE PARTS CATALOG**

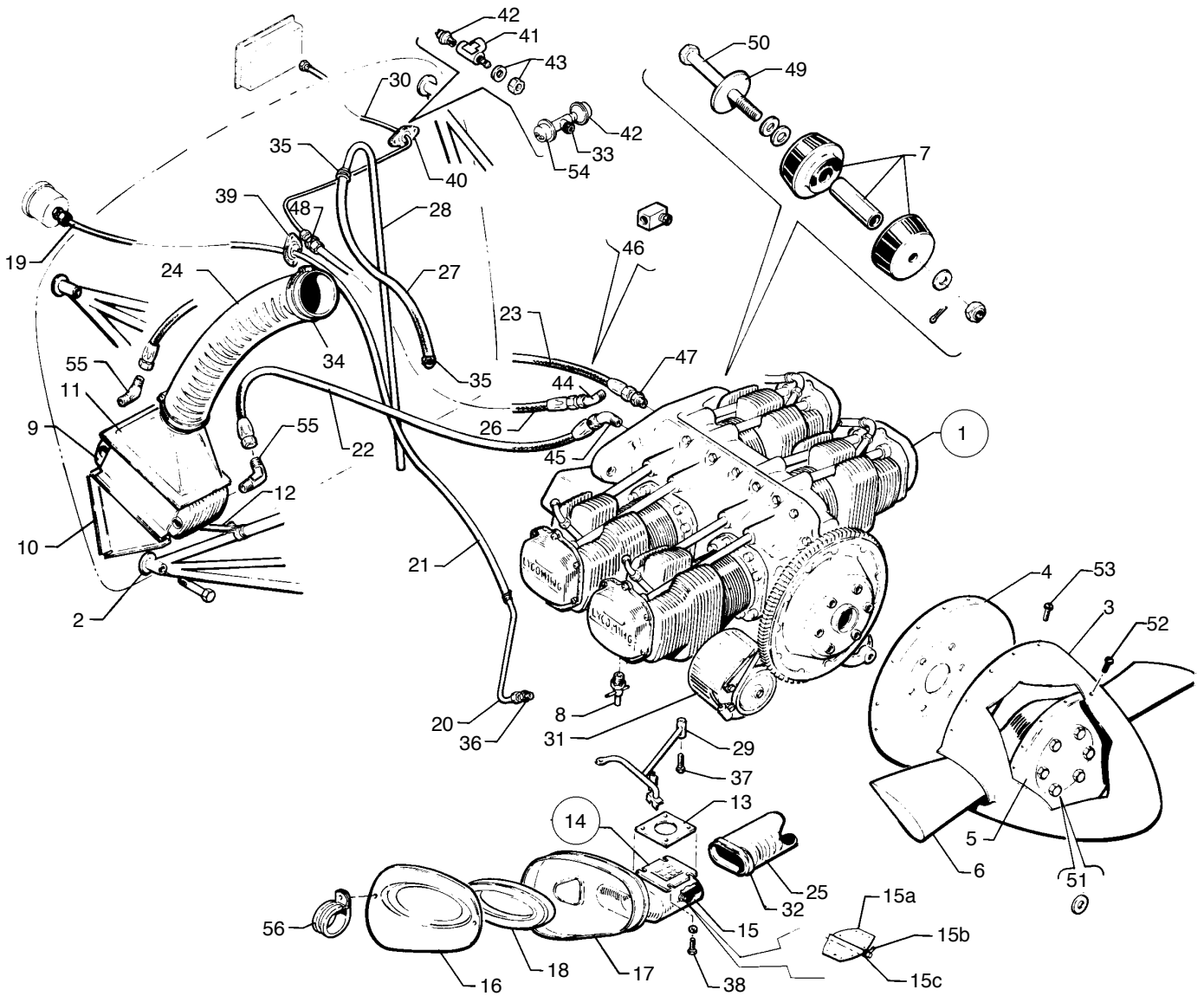


Figure 40. Power Plant Installation
(Serial numbers 28-7690001 thru 28-8690056, 2890001 thru 2890205)

Reissued: September 15, 1994

**PIPER AIRCRAFT
PA-28-181
AIRPLANE PARTS CATALOG**

CODE EXPLANATIONS FOR FIGURE 40

A - Secure from Textron Lycoming Corporation, Williamsport, PA.

B - Used if engine hour meter is installed.

C - See Figure 64 for component parts if a Chrysler alternator is installed.. See Figure 56 if a Prestolite alternator with air conditioning is installed.

PIPER AIRCRAFT PA-28-181 AIRPLANE PARTS CATALOG

Figure and Index Number	Part Number	Code	Nomenclature	No. Req.	Serial Numbers Affected
40-	65851		DRAWING - Power Plant Installation		
-1		A	ENGINE - Lycoming (O-360-A4M) with Slick magnetos	1	
		A	ENGINE - Lycoming (O-360-A4A) with Bendix magnetos	1	
-2	66662-14		MOUNT ASSEMBLY - Engine and nose gear strut	1	
-3	65805-00		SPINNER - Propeller	1	
-4	65803-03		BULKHEAD ASSEMBLY - Spinner, rear	1	
-5	65804-00		BULKHEAD ASSEMBLY - Spinner, front	1	
-6	450 957		PROPELLER - Sensenich (76EM8S5-0-60)	1	28-7690001 to 28-7790607 incl.
	550 981		PROPELLER - Sensenich (76EM8S5-0-62)	1	28-7890001 and up
-7	475 124		MOUNT - Engine (J9613-40)	4	
-8	61879-02		VALVE ASSEMBLY - Oil drain	1	
-9	18622-00		OIL RADIATOR	1	
-10	62938-00		BRACKET - Oil radiator	2	
-11	62985-00		ADAPTER ASSEMBLY - Oil radiator	1	
-12	62987-00		TUBE - Oil radiator bracket attachment	1	
-13	63684-04		GASKET - Carburetor air box	1	
-14	62989-00		BOX ASSEMBLY - Carburetor air (complete)	1	
-15	62921-00		* BOX ASSEMBLY - Carburetor air	1	
-15a	62999-00		** VALVE ASSEMBLY - Carburetor air box	1	
-15b	62998-00		** SHAFT ASSEMBLY - Carburetor air box	1	
-15c	434 129		** GROMMET - (AN931-5-9)	2	
-16	65403-00		* COVER ASSEMBLY - Air filter	1	
-17	63246-04		* HOUSING ASSEMBLY - Air filter	1	
-18	460 632		* AIR FILTER - (89308-00)	1	
-19	67700-29		TUBE ASSEMBLY - Manifold pressure gauge	1	
-20	62992-00		TUBE ASSEMBLY - Manifold pressure	1	
-21	63913-26		HOSE - Flexible, manifold pressure	1	
-22	63901-26		HOSE ASSEMBLY - Oil radiator	1	
-23	63901-43		HOSE ASSEMBLY - Oil radiator	1	
-24	63633-88		HOSE - Oil radiator	1	
-25	99944-02		HOSE - Carburetor heat	1	
-26	63901-27		HOSE ASSEMBLY - Oil pressure	1	
-27	63913-42		HOSE - Engine breather	1	
-28	62980-00		TUBE - Engine breather	1	
-29	69317-00		SUPPORT ASSEMBLY - Engine controls	1	
-30	67700-88		TUBE ASSEMBLY - Oil pressure, forward	1	
	67700-87		TUBE ASSEMBLY - Oil pressure, aft	1	
-31		C	ALTERNATOR INSTALLATION		
-32	99289-00		CLAMP - Air duct	2	
-33	588 469	B	TEE - (1/8 MMS-S)	1	
-34	454 816		CLAMP - (H4-0000)	2	
-35	454 837		CLAMP - (H78000)	2	
-36	460 685		CONNECTOR - (200 x 4)	1	
-37	486 274		SCREW - Cap (MS90725-15)	1	
-38	401 919		BOLT - (MS20074A-04-04)	4	
	407 136		WASHER - (AN936-A416)	4	
-39	66789-00		PLATE - Firewall seal	2	
	68771-08		GASKET - Firewall seal	1	
-40	68770-18		GROMMET - Firewall seal	2	
-41	79038-00		TEE - Bulkhead fitting	1	
-42	587 961		SWITCH - (M-4011-35)	1	
-43	407 591		WASHER - (AN960-716L)	1	
	477 629		NUT - (AN924-4)	1	

When ordering, always specify Part Number, Description, and Serial Number of Aircraft

Reissued: September 15, 1994

**PIPER AIRCRAFT
PA-28-181
AIRPLANE PARTS CATALOG**

Figure and Index Number	Part Number	Code	Nomenclature	No. Req.	Serial Numbers Affected
40-44	68778-00		ELBOW - Oil pressure hose	1	
-45	458 855		ELBOW - (AN823-8)	1	
-46	69301-00		FITTING - Elbow, oil pressure line	1	
-47	476 688		NIPPLE - (AN816-8)	1	
-48	491 055		UNION - (AN815-4)	1	
-49	85012-101		WASHER - Bottom engine to mount	2	
-50	401 543		BOLT - Top engine to mount (AN7-43A)	2	
	401 544		BOLT - Bottom engine to mount (AN7-44A)	2	
	407 568		WASHER - (AN960-716)	4	
	404 891		NUT - (MS20365-720C)	4	
-51	62833-29		WASHER - Propeller	6	
-52	415 379		SCREW - (MS51958-63)	8	
	407 682		WASHER - (AN960-C10L)	8	
-53	415 379		SCREW - (MS51958-63)	16	
	407 674		WASHER - (AN960-C10)	16	
-54	587 990	B	SWITCH - (M-4006-4)	1	
-55	458 886		ELBOW - (AN823-8D)	2	
-56	554 859		CLAMP - (MS21919-H-48)	2	

When ordering, always specify Part Number, Description, and Serial Number of Aircraft

Reissued: September 15, 1994

**PIPER AIRCRAFT
PA-28-181
AIRPLANE PARTS CATALOG**

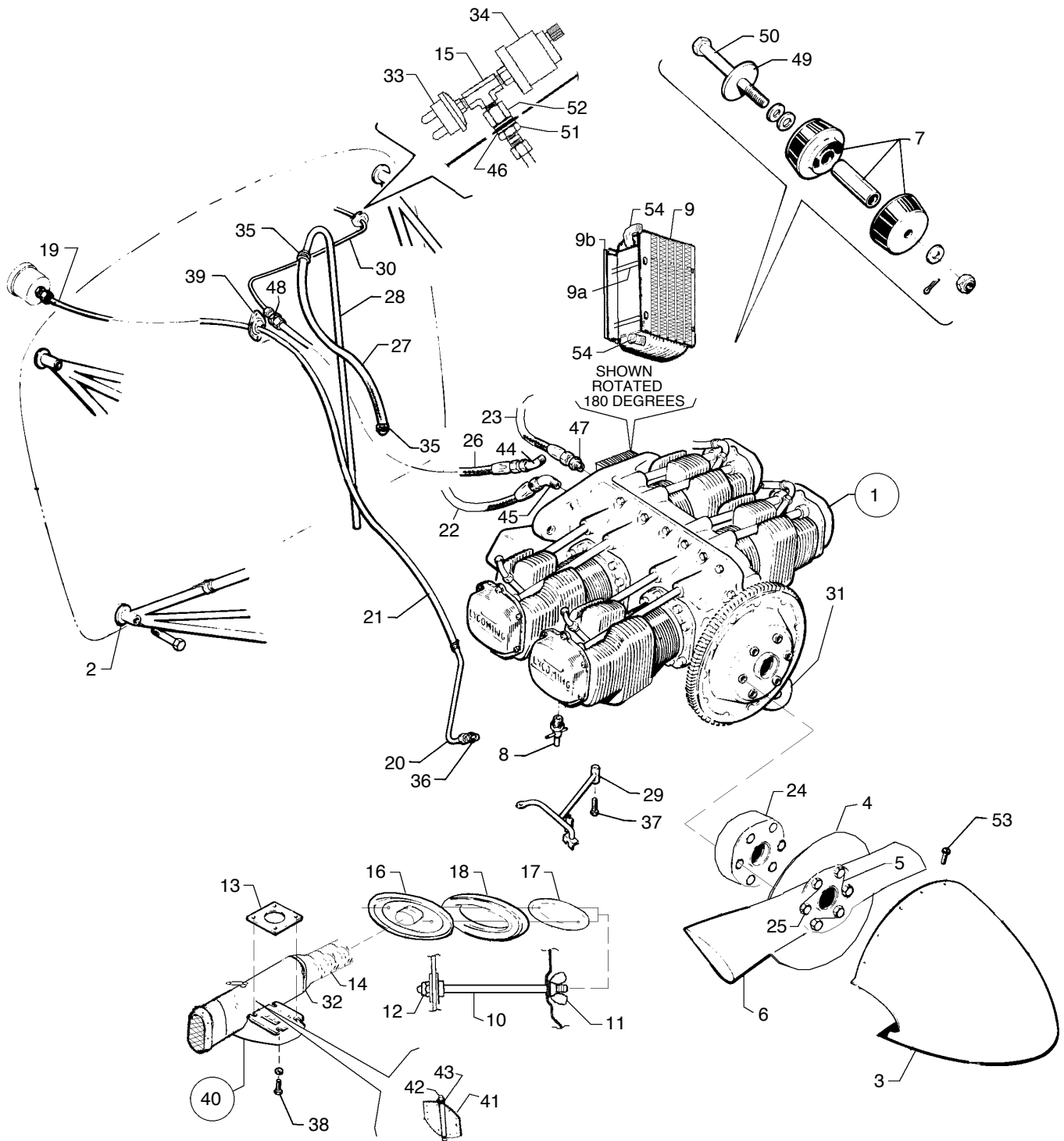


Figure 40A. Power Plant Installation
(Serial numbers 2890206 and up)

Reissued: September 15, 1994

**PIPER AIRCRAFT
PA-28-181
AIRPLANE PARTS CATALOG**

CODE EXPLANATIONS FOR FIGURE 40A

A - Secure from Textron Lycoming Corporation, Williamsport, PA.

PIPER AIRCRAFT PA-28-181 AIRPLANE PARTS CATALOG

Figure and Index Number	Part Number	Code	Nomenclature	No. Req.	Serial Numbers Affected
40A-	85472		DRAWING - Power Plant Installation		2890206 and up
-1		A	ENGINE - Lycoming (O-360-A4M) with Slick magnetos	1	
-2	66662-15		MOUNT ASSEMBLY - Engine and nose gear strut	1	
-3	83349-03		SPINNER - Propeller (Polished)	1	
-4	83349-04		BULKHEAD ASSEMBLY - Spinner, rear	1	
-5	151 300		SAFETY WIRE - (MS20995C41)	AR	
-6	551 038		PROPELLER ASSEMBLY - Sensenich (76EM8S14-0-62)	1	
-7	475 124		MOUNT - Engine (J9613-40)	4	
-8	61879-02		VALVE ASSEMBLY - Oil drain	1	
-9	85472-08		OIL COOLER	1	
-9a	400 464		BOLT - (AN3-41A)	4	
	86062-94		SPACER	4	
	407 564		WASHER - (AN960-10)	8	
	407 584		WASHER - (AN960-10L) Install at ends of spacers	8	
	404 887		NUT - (MS20365-1032C)	4	
-9b	35448-00		SEAL ASSEMBLY - Oil cooler	1	
-10	38019-03		STUD	2	
-11	477 668		WING NUT - (WC-02)	2	
	407 584		WASHER - (AN960-10L)	2	
	407 104		LOCK WASHER - (AN935-10)	2	
-12	407 800		WASHER - (AN970-3)	4	
	404 887		NUT - (MS20365-1032C)	2	
	404 224		NUT - (AN315-3R)	2	
-13	63684-04		GASKET - Carburetor air box	1	
-14	85479-02		DUCT	1	
-15	588 469		TEE - (1/8 MMS-S)	1	
-16	85490-02		COVER ASSEMBLY - Air filter	1	
-17	38019-05		CAP - Air filter	1	
-18	460 632		AIR FILTER - (89308-00)	1	
-19	67700-29		TUBE ASSEMBLY - Manifold pressure gauge	1	
-20	62992-00		TUBE ASSEMBLY - Manifold pressure	1	
-21	63913-26		HOSE - Flexible, manifold pressure	1	
-22	39995-50		HOSE ASSEMBLY - Engine oil pump to cooler	1	
-23	39995-50		HOSE ASSEMBLY - Oil cooler to engine	1	
-24	----		SPACER - (M8S14) Supplied as part of propeller assembly	1	
-25	----		BOLT - (AN8H-82AS) Supplied as part of propeller assembly	6	
-26	63901-27		HOSE ASSEMBLY - Oil pressure	1	
-27	63913-209		HOSE - Engine breather	1	
-28	62980-02		TUBE - Engine breather	1	
-29	69317-00		SUPPORT ASSEMBLY - Engine controls	1	
-30	67700-88		TUBE ASSEMBLY - Oil pressure	1	
-31	680 500		ALTERNATOR - (ES4032)	1	
	85532-02		* PULLEY	1	
-32	654 103		CLAMP	1	
-33	85342-02		SWITCH - Oil pressure	1	
-34	86684-02		SENDER - Oil pressure	1	
-35	454 837		CLAMP - (SAE TY A 7/8)	2	
-36	460 685		CONNECTOR - (200 x 4)	1	
-37	486 274		SCREW - Cap (MS90725-15)	1	
-38	401 919		BOLT - (MS20074A-04-04)	4	
	407 565		WASHER - (AN960-416)	4	
-39	66789-00		PLATE - Firewall seal	2	
	68771-08		GASKET - Firewall seal	1	
-40	85474-02		BOX ASSEMBLY - Induction air	1	
-41	62999-00		* VALVE ASSEMBLY - Carburetor air box	1	
-42	62998-00		* SHAFT ASSEMBLY - Carburetor air box	1	
-43	434 134		* GROMMET - (MS35489-11)	2	

When ordering, always specify Part Number, Description, and Serial Number of Aircraft

Reissued: September 15, 1994

**PIPER AIRCRAFT
PA-28-181
AIRPLANE PARTS CATALOG**

Figure and Index Number	Part Number	Code	Nomenclature	No. Req.	Serial Numbers Affected
40A-44	68778-00		ELBOW - Oil pressure hose	1	
-45	458 855		ELBOW - (AN823-8)	1	
-46	407 591		WASHER - (AN960-716L)	2	
-47	476 688		NIPPLE - (AN816-8)	1	
-48	491 055		UNION - (AN815-4)	1	
-49	85012-101		WASHER - Bottom engine to mount	2	
-50	401 543		BOLT - Top engine to mount (AN7-43A)	2	
	401 544		BOLT - Bottom engine to mount (AN7-44A)	2	
	407 568		WASHER - (AN960-716)	4	
	404 891		NUT - (MS20365-720C)	4	
-51	477 629		NUT - (AN924-4)	1	
-52	557 580		CONNECTOR - Bulkhead (4-WTGX-S)	1	
-53	415 379		SCREW - (MS51958-63)	18	
	494 227		WASHER	18	
-54	458 898		ELBOW - (MS20822-8D)	2	

When ordering, always specify Part Number, Description, and Serial Number of Aircraft

Reissued: September 15, 1994

PIPER AIRCRAFT
PA-28-181
AIRPLANE PARTS CATALOG

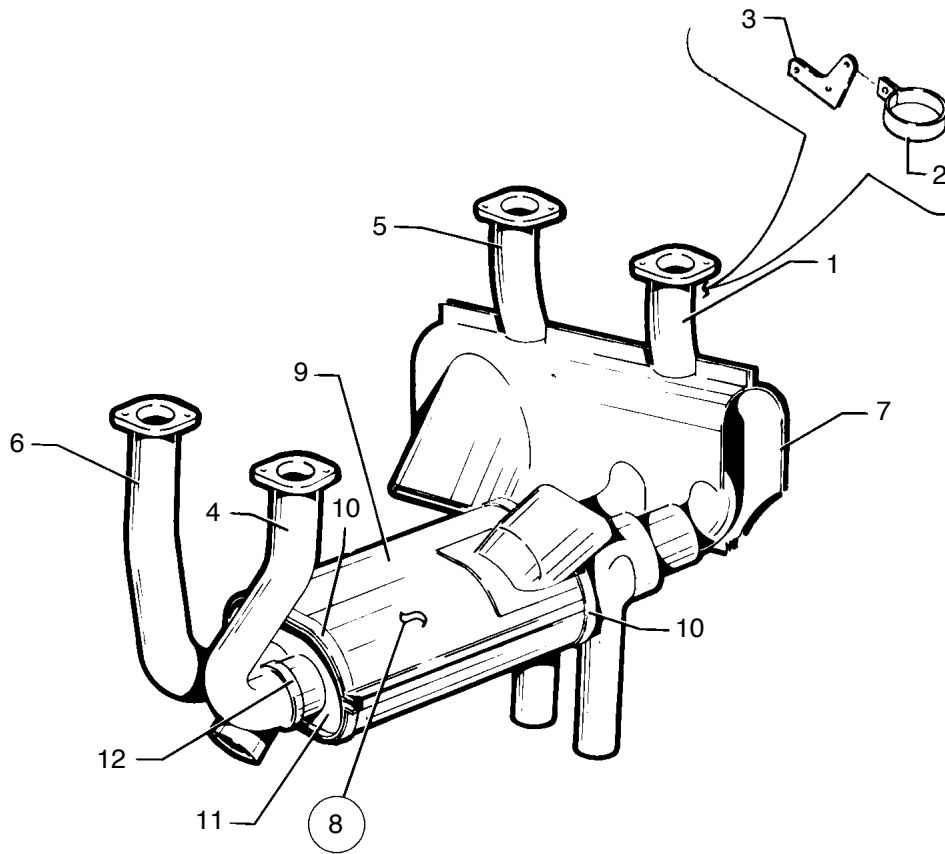


Figure 41. Engine Exhaust System Installation
(Serial numbers 28-7690001 thru 28-8690056, 2890001 thru 2890205)

Reissued: September 15, 1994

**PIPER AIRCRAFT
PA-28-181
AIRPLANE PARTS CATALOG**

CODE EXPLANATIONS FOR FIGURE 41

Reissued: September 15, 1994

1112

Island Enterprises

**PIPER AIRCRAFT
PA-28-181
AIRPLANE PARTS CATALOG**

Figure and Index Number	Part Number	Code	Nomenclature	No. Req.	Serial Numbers Affected
41-	62892		DRAWING - Exhaust System Installation		
-1	62892-03		STACK ASSEMBLY - Front cylinder. left	1	
-2	35655-02		* CLAMP - Stack assembly support	1	
-3	35656-02		* LINK - Stack assembly support	1	
-4	62230-00		STACK ASSEMBLY - Front cylinder. right	1	
-5	62231-00		STACK ASSEMBLY - Rear cylinder. left	1	
-6	62232-03		STACK ASSEMBLY - Rear cylinder. right	1	
-7	62981-06		SHROUD ASSEMBLY - Left	1	
	62981-07		SHROUD ASSEMBLY - Right	1	
-8	65540-02		MUFFLER ASSEMBLY - Complete	1	
-9	99568-00		* SHROUD ASSEMBLY - Muffler, top	1	
	65543-00		* SHROUD ASSEMBLY - Muffler, bottom	1	
-10	554 848		** CLAMP - Shroud (SAE TY F-96SS)	2	
-11	66894-03		* MUFFLER ASSEMBLY	2	
-12	63243-08		CLAMP ASSEMBLY - Exhaust stack	2	

When ordering, always specify Part Number, Description, and Serial Number of Aircraft

Reissued: September 15, 1994

PIPER AIRCRAFT
PA-28-181
AIRPLANE PARTS CATALOG

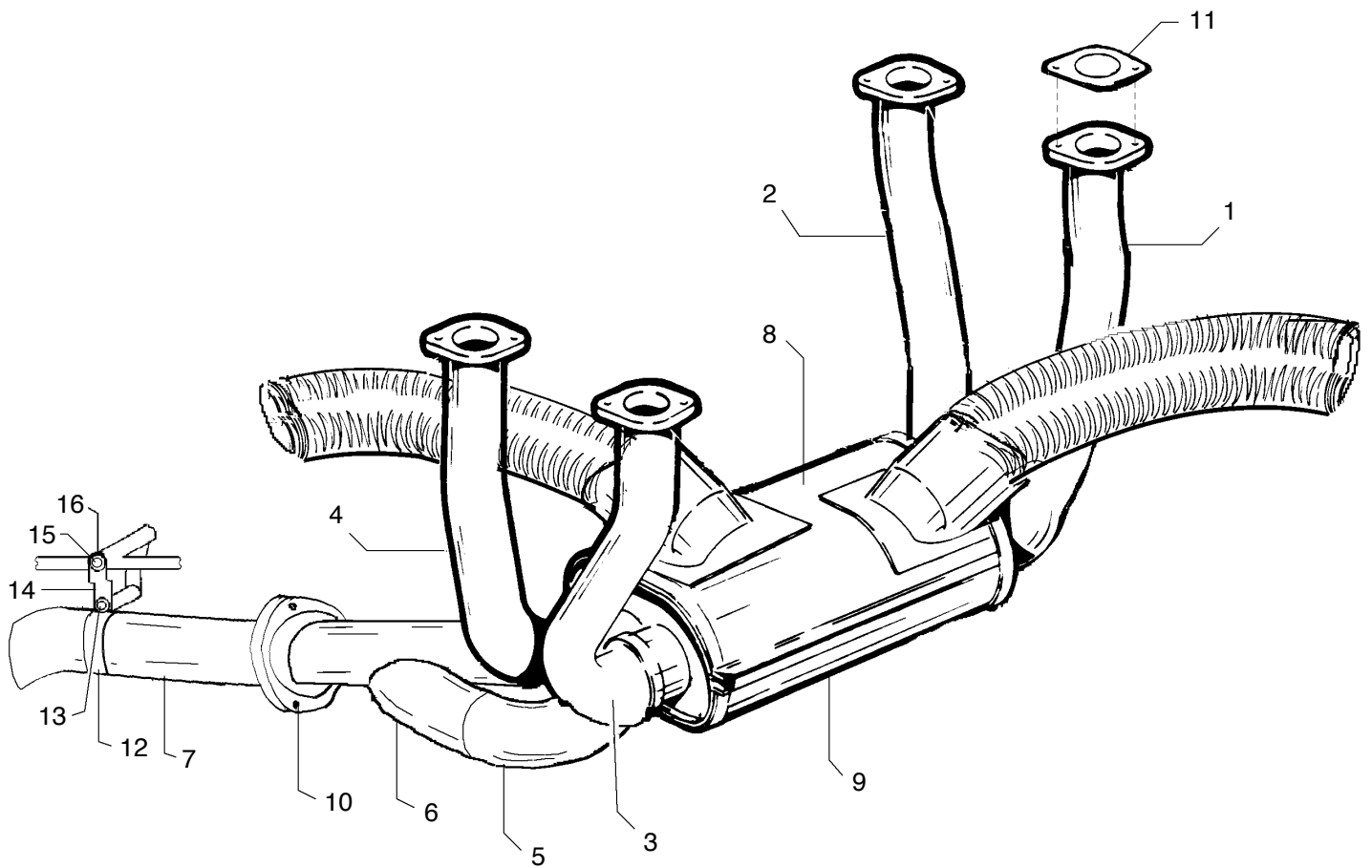


Figure 41A. Engine Exhaust System Installation
(Serial numbers 2890206 and up)

Reissued: September 15, 1994

**PIPER AIRCRAFT
PA-28-181
AIRPLANE PARTS CATALOG**

CODE EXPLANATIONS FOR FIGURE 41A

Reissued: September 15, 1994

**PIPER AIRCRAFT
PA-28-181
AIRPLANE PARTS CATALOG**

Figure and Index Number	Part Number	Code	Nomenclature	No. Req.	Serial Numbers Affected
41A-	85472		DRAWING - Power Plant Installation		2890206 and up
-1	35300-00		STACK ASSEMBLY - Front cylinder, left	1	
-2	62231-05		STACK ASSEMBLY - Rear cylinder, left	1	
-3	62230-00		STACK ASSEMBLY - Front cylinder, right	1	
-4	62232-03		STACK ASSEMBLY - Rear cylinder, right	1	
-5	85477-02		MUFFLER ASSEMBLY	1	
-6	85477-05		MUFFLER ASSEMBLY	1	
-7	85477-09		TAIL PIPE ASSEMBLY	1	
-8	99568-04		SHROUD ASSEMBLY - Top	1	
-9	65543-02		SHROUD ASSEMBLY - Bottom	1	
-10	690 091		BOLT FLANGE - (629-83)	1	
	400 060		BOLT - (AN3-15)	3	
	407 564		WASHER - (AN960-10)	3	
	404 100		NUT - (AN310-3)	3	
	424 051		COTTER PIN - (AN380-2-2)	3	
	487 437		SPRING - (186218)	3	
-11	461 905		GASKET - (77611)	4	
-12	24791-06		CLAMP ASSEMBLY	1	
	400 103		BOLT - (AN4-6)	1	
	407 565		WASHER - (AN960-416)	1	
	404 101		NUT - (AN310-4)	1	
	424 051		COTTER PIN - (AN380-2-2)	1	
-13	400 059		BOLT - (AN3-14)	1	
	408 816		WASHER - (Located between 24793-04 Strap and 24791-06 Clamp Assembly on bolt head side.)	1	
	82732-103		BUSHING	1	
	407 564		WASHER - (AN960-10)	1	
	404 100		NUT - (AN310-3)	1	
	424 051		COTTER PIN - (AN380-2-2)	1	
-14	24793-04		STRAP	2	
-15	400 460		BOLT - (AN3-35A)	1	
	82732-102		BUSHING	1	
	407 564		WASHER - (AN960-10)	1	
	404 835		NUT - (MS20364-1032C)	1	
-16	24820-00		BUSHING - Rubber	2	

When ordering, always specify Part Number, Description, and Serial Number of Aircraft

Reissued: September 15, 1994

PIPER AIRCRAFT
PA-28-181
AIRPLANE PARTS CATALOG

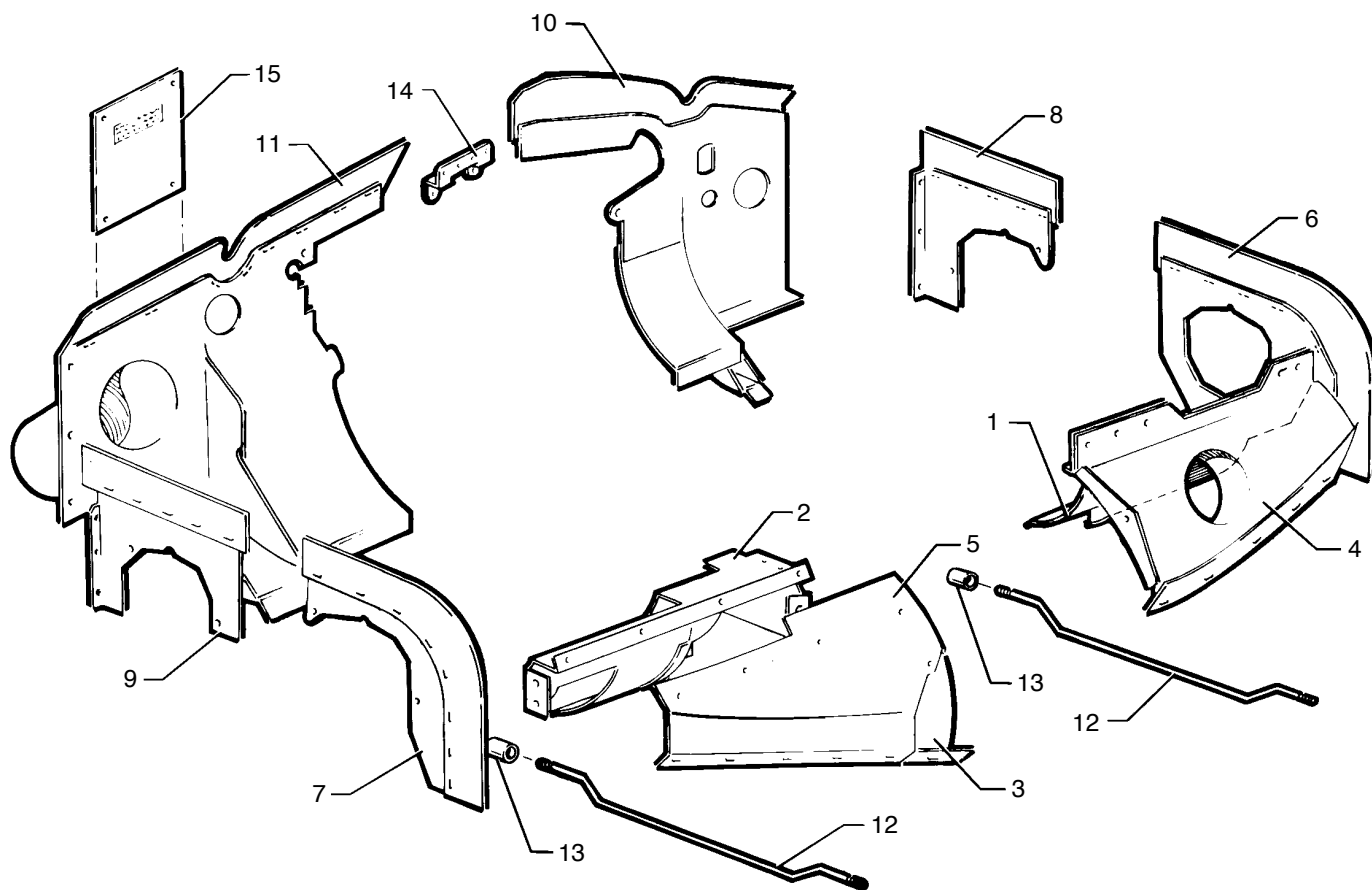


Figure 42. Engine Baffle Installation
(Serial numbers 28-7690001 thru 28-8690056, 2890001 thru 2890205)

Reissued: September 15, 1994

**PIPER AIRCRAFT
PA-28-181
AIRPLANE PARTS CATALOG**

CODE EXPLANATIONS FOR FIGURE 42

Reissued: September 15, 1994

1118

Island Enterprises

**PIPER AIRCRAFT
PA-28-181
AIRPLANE PARTS CATALOG**

Figure and Index Number	Part Number	Code	Nomenclature	No. Req.	Serial Numbers Affected
42-	62986		DRAWING - Engine Baffle Installation		
-1	63244-02		BAFFLE ASSEMBLY - Left front, less fairing	1	
-2	99577-00		BAFFLE ASSEMBLY - Right front	1	
-3	99771-00		COVER ASSEMBLY - Right front baffle	1	
-4	99578-00		FAIRING ASSEMBLY - Left front baffle	1	
-5	99573-00		FAIRING ASSEMBLY - Right front baffle	1	
-6	63093-00		BAFFLE ASSEMBLY - Left side, front	1	
-7	63092-00		BAFFLE ASSEMBLY - Right side, front	1	
-8	62233-00		BAFFLE ASSEMBLY - Left side, rear	1	
-9	62234-00		BAFFLE ASSEMBLY - Right side, rear	1	
-10	62387-07		BAFFLE ASSEMBLY - Left rear	1	28-7690001 to 28-7990626 incl.
	62387-09		BAFFLE ASSEMBLY - Left rear	1	28-8090001 and up
-11	62383-03		BAFFLE ASSEMBLY - Right rear		
-12	87392-02		TIE ROD - Engine baffle	2	
-13	63900-14		BUSHING - Baffle tie rod	2	
-14	63605-00		BRACKET - Rear baffle reinforcement	1	
-15	67769-00		CLOSURE ASSEMBLY - Winterization plate	1	

When ordering, always specify Part Number, Description, and Serial Number of Aircraft

Reissued: September 15, 1994

PIPER AIRCRAFT
PA-28-181
AIRPLANE PARTS CATALOG

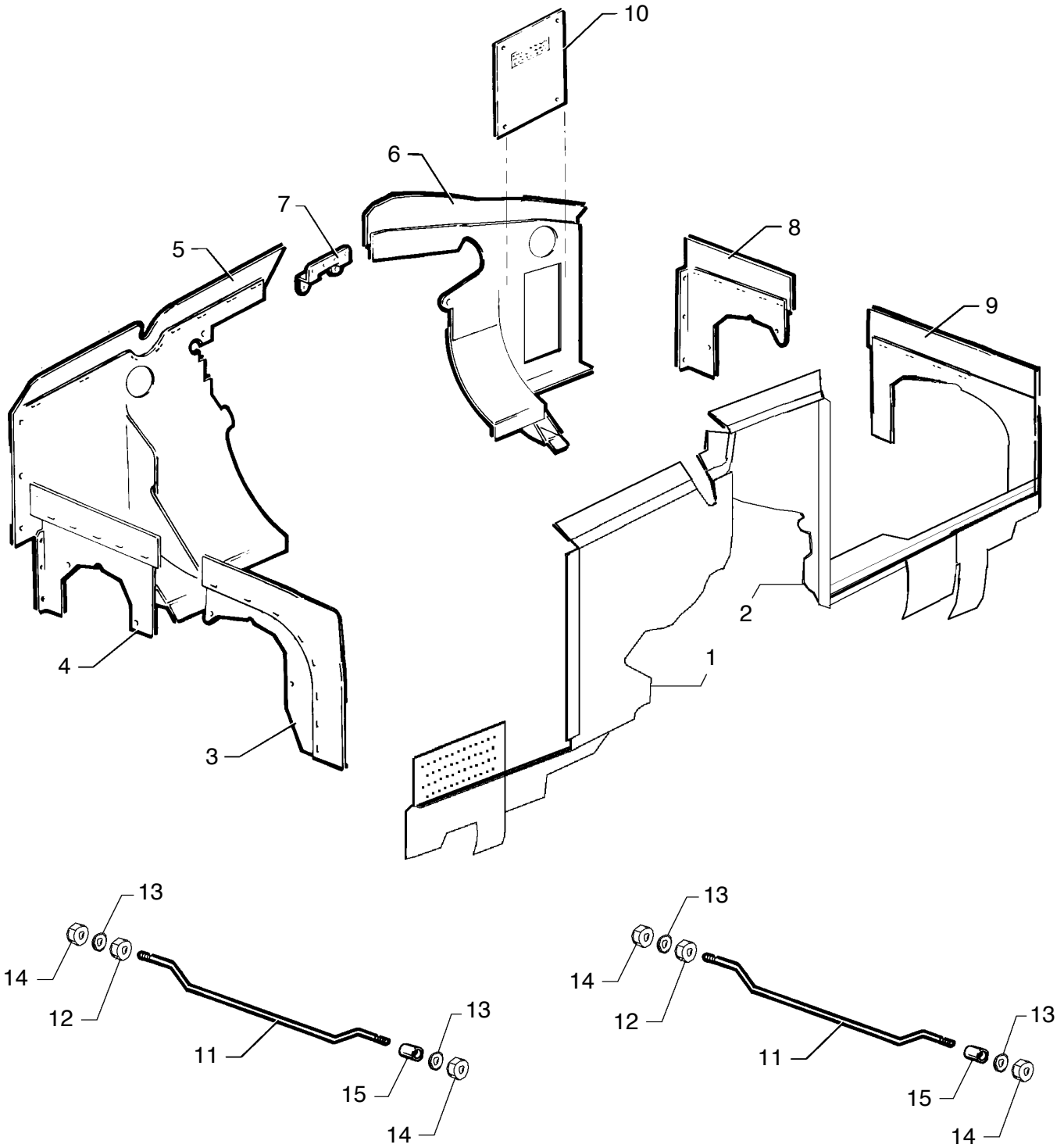


Figure 42A. Engine Baffle Installation
(Serial numbers 2890206 and up)

Reissued: September 15, 1994

**PIPER AIRCRAFT
PA-28-181
AIRPLANE PARTS CATALOG**

CODE EXPLANATIONS FOR FIGURE 42A

Reissued: September 15, 1994

**PIPER AIRCRAFT
PA-28-181
AIRPLANE PARTS CATALOG**

Figure and Index Number	Part Number	Code	Nomenclature	No. Req.	Serial Numbers Affected
42A-	85472		DRAWING - Power Plant Installation		2890206 and up
-1	85486-03		BAFFLE ASSEMBLY - Right front	1	
-2	85486-02		BAFFLE ASSEMBLY - Left front	1	
-3	85485-03		BAFFLE ASSEMBLY - Right side, front	1	
-4	85485-05		BAFFLE ASSEMBLY - Right side, rear	1	
-5	85487-03		BAFFLE ASSEMBLY - Right rear	1	
-6	85487-02		BAFFLE ASSEMBLY - Left rear	1	
-7	63605-00		BRACKET - Rear baffle reinforcement	1	
-8	85485-04		BAFFLE ASSEMBLY - Left side, rear	1	
-9	85485-02		BAFFLE ASSEMBLY - Left side, front	1	
-10	85470-02		KIT - Oil cooler winterization	1	
	85470-03		* PLATE - Oil cooler winterization	1	
	63408-00		* PLACARD - Oil cooler winterization (581 114)	1	
-11	14513-00		ROD - Baffle tie	2	
-12	405 450		NUT - (MS35649-262)	2	
-13	407 582		WASHER - (AN960-6L)	4	
-14	404 909		NUT - (MS20365-632C)	4	
-15	63900-14		BUSHING	2	

When ordering, always specify Part Number, Description, and Serial Number of Aircraft

Reissued: September 15, 1994

PIPER AIRCRAFT
PA-28-181
AIRPLANE PARTS CATALOG

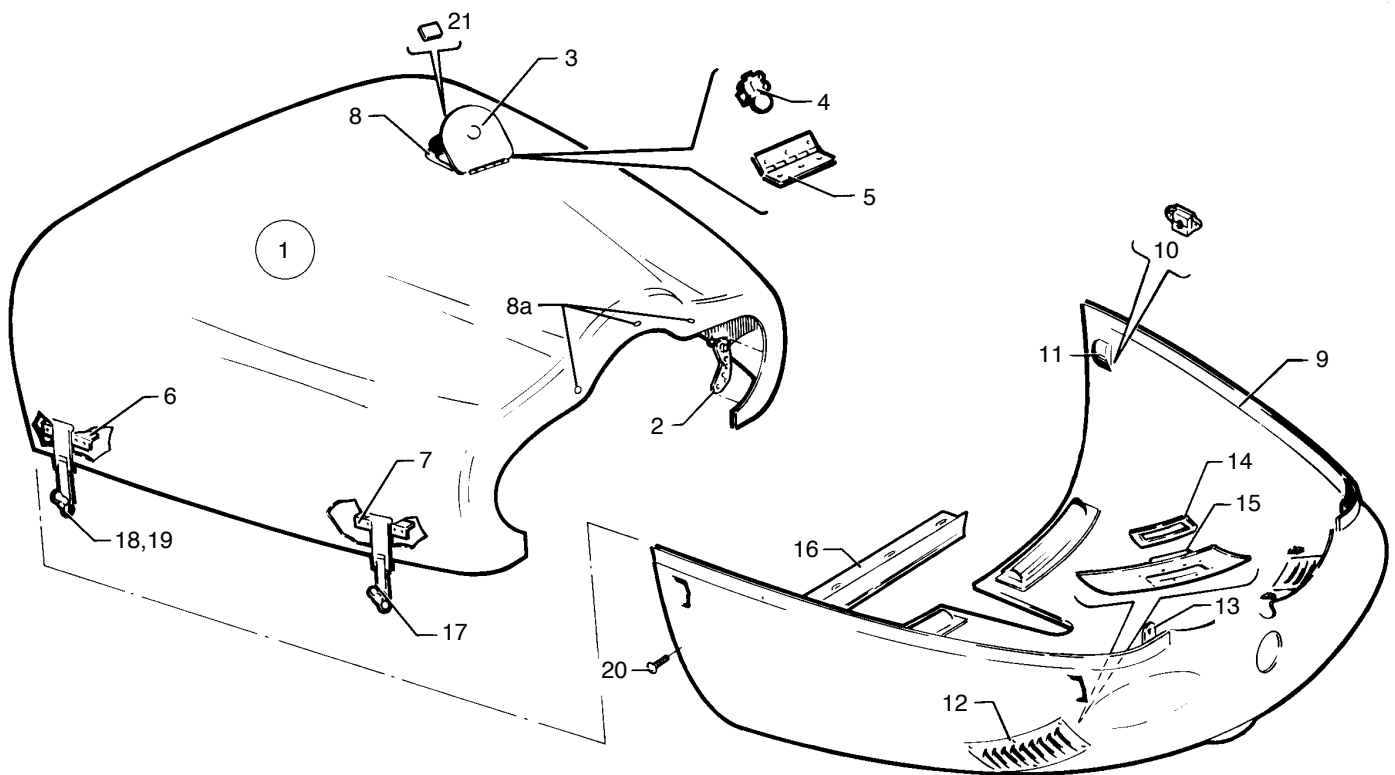


Figure 43. Engine Cowl Installation
(Serial numbers 28-7690001 thru 28-8690056, 2890001 thru 2890205)

Reissued: September 15, 1994

**PIPER AIRCRAFT
PA-28-181
AIRPLANE PARTS CATALOG**

CODE EXPLANATIONS FOR FIGURE 43

Reissued: September 15, 1994

1124

Island Enterprises

**PIPER AIRCRAFT
PA-28-181
AIRPLANE PARTS CATALOG**

Figure and Index Number	Part Number	Code	Nomenclature	No. Req.	Serial Numbers Affected
43-	65851		DRAWING - Power Plant Installation		
-1	62922-02		COWL ASSEMBLY - Engine top, complete	1	
-2	65148-00		* PLATE ASSEMBLY - Cowl pin, left	1	
	65148-01		* PLATE ASSEMBLY - Cowl pin, right	1	
-3	99096-00		* DOOR ASSEMBLY - Oil filler	1	
-4	472 017		** LATCH - Oil filler door (KM610-32)	1	
-5	65291-03		** HINGE ASSEMBLY - Oil filler door	1	
-6	65240-00		* ANGLE - Cowl fastener, rear, left	1	
	65240-01		* ANGLE - Cowl fastener, rear, right	1	
-7	65241-00		* ANGLE - Cowl fastener, front	2	
-8	99094-02		* PLATE ASSEMBLY - Reinforcement, oil filler door	1	
-8a	581 025		* PLUG - Cowl (4-621 x 5/16)	3	
-9	62988-04		COWL ASSEMBLY - Engine bottom, complete	1	28-7690001 to 28-7990626 incl.
	62988-05		COWL ASSEMBLY - Engine bottom, complete	1	28-8090001 and up
-10	484 483		* RECEPTACLE - (PS10017-1-62)	4	
-11	65889-00		* CLIP - Cowl fastener	4	
-12	65151-00		* LOUVER - Bottom cowl	2	
-13	69791-00		* PLATE ASSEMBLY - Bottom cowl	2	
-14	63085-00		* RETAINER - Air filter seal	1	
-15	63086-00		* SEAL - Air filter	1	
-16	65455-00		CHANNEL - Cowl	1	
-17	65202-05		FASTENER ASSEMBLY - Top cowl	4	
-18	484 428		* RETAINER - (PS10077-1-65)	1	
-19	487 719		* STUD - (5-W-260)	1	
-20	411 533		SCREW - (MS35207-264)	11	
	407 584		WASHER - (AN960-10L)	11	
-21	87340-02		PLACARD - Oil specifications	1	

When ordering, always specify Part Number, Description, and Serial Number of Aircraft

Reissued: September 15, 1994

**PIPER AIRCRAFT
PA-28-181
AIRPLANE PARTS CATALOG**

CODE EXPLANATIONS FOR FIGURE 43A

Reissued: September 15, 1994

1J3

Island Enterprises

**PIPER AIRCRAFT
PA-28-181
AIRPLANE PARTS CATALOG**

Figure and Index Number	Part Number	Code	Nomenclature	No. Req.	Serial Numbers Affected
43A-	83350		DRAWING - Cowl Assembly and Installation		2890206 and up
-1	83350-04		COWL ASSEMBLY - Upper	1	
-2	65150-00		* PLATE ASSEMBLY - Left and Right	2	
-3	85238-17		* PLATE ASSEMBLY - Left	1	
	85238-15		* PLATE ASSEMBLY - Right	1	
-4	85326-07		* INSERT - Left and Right	2	
-5	85475-02		* INLET ASSEMBLY - Left	1	
-6	85475-12		** SEAL	1	
	85475-22		** RETAINER	1	
-7	85475-15		** SEAL	1	
	85475-25		** RETAINER	1	
-8	85475-14		** SEAL	1	
	85475-24		** RETAINER	1	
-9	85475-03		* INLET ASSEMBLY - Right	1	
-10	85475-11		** SEAL	1	
	85475-21		** RETAINER	1	
-11	85475-16		** SEAL	1	
	85475-26		** RETAINER	1	
-12	85475-13		** SEAL	1	
	85475-23		** RETAINER	1	
-13	85481-11		* PLATE ASSEMBLY - Oil filler door	1	
-14	99094-04		* PLATE ASSEMBLY - Striker	1	
-15	99096-02		* DOOR ASSEMBLY - Oil filler	1	
	85481-10		** DOOR	1	
	472 017		** LATCH - Oil filler door	1	
	65291-03		** HINGE ASSEMBLY - Oil filler door	1	
-16	83350-03		COWL ASSEMBLY - Lower	1	
-17	83350-12		* AIR BOX	1	
-18	65061-00		* INSERT - Left and Right	8	
-19	85481-02		* INLET ASSEMBLY	1	
	85481-09		* SCREEN	1	
-20	85238-19		* INLET ASSEMBLY	1	
	85238-21		* SCREEN	1	
-21	85488-02		* CHANNEL ASSEMBLY - Cowl, left	1	
	85488-03		* CHANNEL ASSEMBLY - Cowl, right	1	
-22	95479-00		* INSERT - Left and Right	2	
-23	487 728		STUD - Left and Right	12	
-24	411 532		SCREW - (MS35207-263)	2	
	407 564		WASHER - (AN960-10)	2	
-25	414 553		SCREW - (MS24693-272)	10	
	494 037		WASHER	10	

When ordering, always specify Part Number, Description, and Serial Number of Aircraft

Reissued: September 15, 1994

1J4

Island Enterprises

PIPER AIRCRAFT
PA-28-181
AIRPLANE PARTS CATALOG

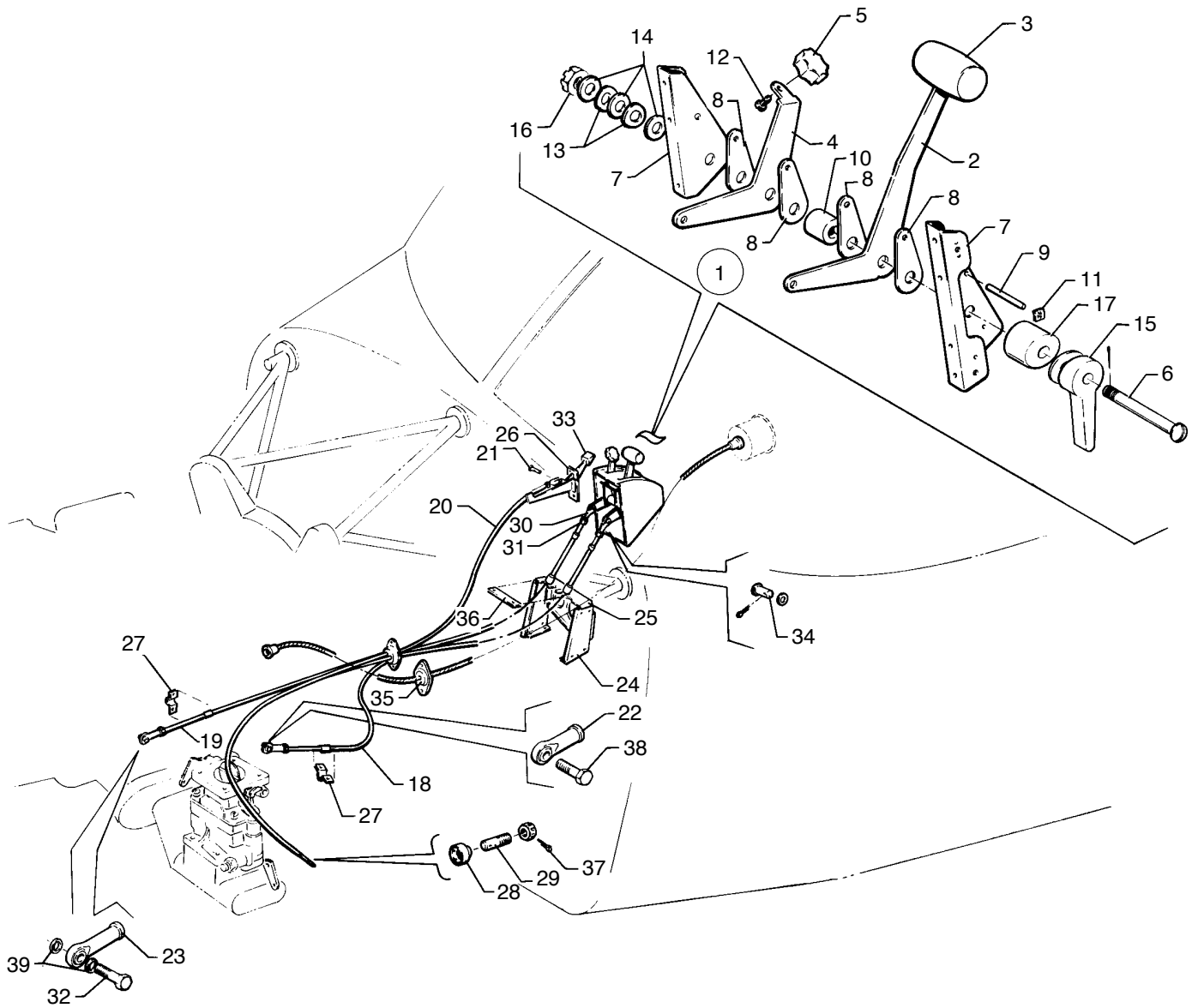


Figure 44. Engine Controls Installation

Reissued: September 15, 1994

**PIPER AIRCRAFT
PA-28-181
AIRPLANE PARTS CATALOG**

CODE EXPLANATIONS FOR FIGURE 44

- A - If Throttle Linkage Modification Kit 764 009 has been installed on serial numbers 28-7790032 to 28-8090227 inclusive per Piper Service Bulletin 679, order parts for serial numbers 28-8090228 and up.
- B - Used if a 2.72" L quadrant adjusting handle (66773-00) is installed.
- C - Used if a 2.94" L quadrant adjusting handle (63039-04) is installed.

**PIPER AIRCRAFT
PA-28-181
AIRPLANE PARTS CATALOG**

Figure and Index Number	Part Number	Code	Nomenclature	No. Req.	Serial Numbers Affected
44-	65848		DRAWING - Engine Controls Installation		
-1	65850-00		QUADRANT ASSEMBLY - Control	1	
	65850-02		QUADRANT ASSEMBLY - Control	1	2890206 and up
-2	67223-00		* LEVER ASSEMBLY - Throttle	1	
-3	67212-00		** KNOB - Throttle lever	1	
-4	67214-00		* LEVER - Mixture control	1	
-5	24048-00		* KNOB - Mixture control (571 044)	1	
-6	400 749	B	* BOLT - (AN25-52)	1	
	400 171	C	* BOLT - (AN5-30)	1	
	62833-46		* WASHER	1	
-7	67215-03		* BRACKET ASSEMBLY - Quadrant, left	1	
	67216-00		* BRACKET ASSEMBLY - Quadrant, right	1	
-8	67218-00		* PLATE - Quadrant, friction (0.031 thick)	2	
	67218-02		* PLATE - Quadrant, friction (0.062 thick)	2	
-9	67221-00		* PIN - Quadrant, friction plate	1	
-10	68699-11		* SPACER - Quadrant	1	
-11	406 345		* NUT - (A109-014-1)	2	
-12	415 448		* SCREW - (AN526-832R6)	1	
-13	408 815		* WASHER - (3502-18-04)	2	
-14	407 586		* WASHER - (AN960-516L)	3	
-15	66773-00		* HANDLE - Quadrant adjusting (2.72`` L.)	1	
	63039-04		* HANDLE - Quadrant adjusting (2.94`` L.)	1	
-16	404 394		* NUT - (AN320-5)	1	
-17	66774-00		* CAM - (AN320-5) Control	1	
-18	455 352		CONTROL ASSEMBLY - Mixture (PS50146-13-4)	1	
-19	455 350		CONTROL ASSEMBLY - Throttle (PS50146-13-6)	1	
-20	554 095		CABLE ASSEMBLY - Carburetor heat control (PS50146-1-2)	1	
	554 094		CABLE ASSEMBLY - Carburetor heat control (PS50146-1-3)	1	2890206 and up
-21	400 674		SCREW - (AN23-12)	1	
	407 564		WASHER - (AN960-10)	2	
	404 100		NUT - (AN310-3)	1	
	424 051		COTTER PIN - (AN380-2-2)	1	
-22	452 606		BEARING - Rod end, mixture control (PS10020-16-2)	1	
-23	452 606		BEARING - Rod end, throttle control (PS10020-16-2)	1	
-24	67206-02		SUPPORT ASSEMBLY - Engine controls	1	
-25	67224-03		* BRACKET ASSEMBLY - Engine controls	1	
-26	66835-00		CONTROL MOUNT - Carburetor heat	1	
-27	18219-02		CLAMP - Control cable	2	
-28	70371-02		FITTING - Swivel	1	
-29	70371-03		STUD - Swivel fitting	1	
-30	488 327		TERMINAL - (AN665-21R)	2	
-31	404 224		NUT - (AN315-3R)	4	
	407 104		WASHER - (AN935-10)	4	
-32	400 056	A	BOLT - (AN3-11)	1	28-7690001 to 28-8090227 incl.
	400 446		BOLT - (AN3-16A)	1	28-8090228 and up
	62833-101		WASHER - (0.56 O.D. x 191 I.D. x 0.032 thick)	1	
	407 564	A	WASHER - (AN960-10)	1	28-7690001 to 28-8090227 incl.
	407 564		WASHER - (AN960-10)	3	28-8090228 and up
	404 100	A	NUT - (AN310-3)	1	28-7690001 to 28-8090227 incl.
	404 887		NUT - (MS20365-1032C)	1	28-8090228 and up
	424 051	A	COTTER PIN - (MS24665-132)	1	28-7690001 to 28-8090227 incl.
-33	66980-00		KNOB - Carburetor heat	1	
-34	524 145		PIN - (MS20392-2C11)	2	
	407 584		WASHER - (AN960-10L)	2	
	424 050		COTTER PIN - (AN380-2-1)	2	

When ordering, always specify Part Number, Description, and Serial Number of Aircraft

Reissued: September 15, 1994

**PIPER AIRCRAFT
PA-28-181
AIRPLANE PARTS CATALOG**

Figure and Index Number	Part Number	Code	Nomenclature	No. Req.	Serial Numbers Affected
44-35	68771-06		GASKET - Firewall, tachometer shaft	1	
	22103-03		PLATE - Firewall, tachometer shaft	2	
	68770-18		GROMMET - Firewall, tachometer shaft	2	
-36	67225-00		RETAINER - Engine controls	1	
-37	424 051		COTTER PIN - (AN380-2-2)	1	
	404 392		NUT - (AN320-3)	1	
-38	400 055		BOLT -(AN3-10)	1	28-7690001 to 28-7790031 incl.
	400 056		BOLT - (AN3-11)	1	28-7790032 and up
	63900-119		BUSHING	1	
	63900-78		BUSHING	1	28-7690001 to 28-7790031 incl.
	63900-78		BUSHING	2	28-7790032 and up
	62833-101		WASHER	1	
	407 043		WASHER - (MS35338-43)	1	
	407 564		WASHER - (AN960-10)	1	
	404 100		NUT - (AN310-3)	1	
	424 051		COTTER PIN - (MS24665-132)	1	
-39	95061-121	A	BUSHING - (0.25 O.D. x 0.194 I.D. x 0.157 L.)	1	28-7690001 to 28-8090227 incl.
	63900-78	A	BUSHING - (0.312 O.D. x 0.196 I.D. x 0.125 L.)	1	28-7690001 to 28-8090227 incl.
	63900-70		BUSHING - (0.312 O.D. x 0.196 I.D. x 0.50 L.)	1	28-8090228 and up
	63900-75		BUSHING - (0.312 O.D. x 0.196 I.D. x 0.24 L.)	1	28-8090228 and up

When ordering, always specify Part Number, Description, and Serial Number of Aircraft

Reissued: September 15, 1994

**PIPER AIRCRAFT
PA-28-181
AIRPLANE PARTS CATALOG**

THIS PAGE INTENTIONALLY LEFT BLANK

Reissued: September 15, 1994

**PIPER AIRCRAFT
PA-28-181
AIRPLANE PARTS CATALOG**

THIS PAGE INTENTIONALLY LEFT BLANK

**PIPER AIRCRAFT
PA-28-181
AIRPLANE PARTS CATALOG**

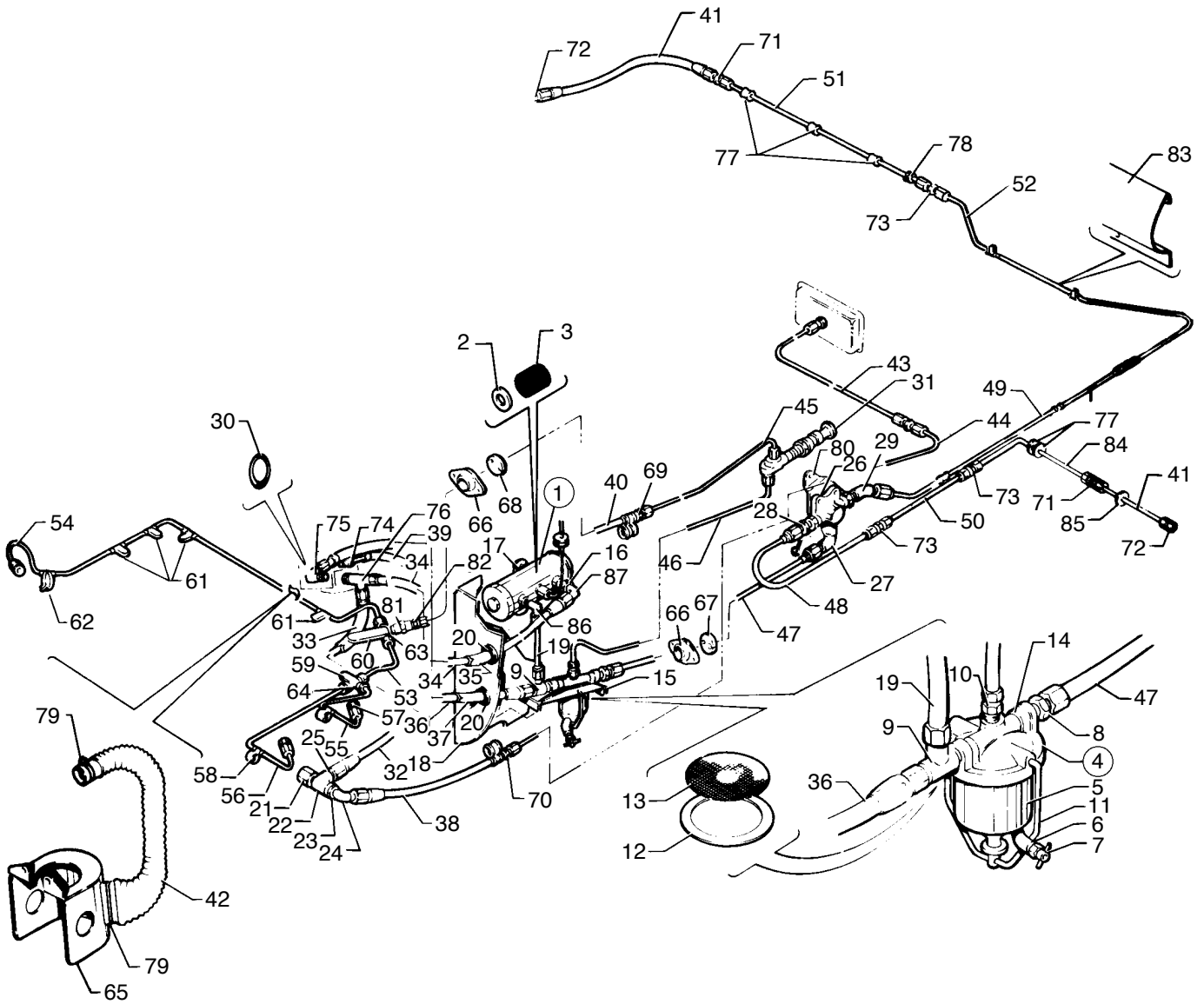


Figure 45. Fuel System Installation
(Serial numbers 28-7690001 to 28-7990626 inclusive)

Reissued: September 15, 1994

**PIPER AIRCRAFT
PA-28-181
AIRPLANE PARTS CATALOG**

CODE EXPLANATIONS FOR FIGURE 45

- A - Used with 3/16" I.D. hose.
- B - Used when Engine Fuel Pump, Lycoming p/n 75246, is installed.
- C - Used with 1/8" I.D. hose.

**PIPER AIRCRAFT
PA-28-181
AIRPLANE PARTS CATALOG**

Figure and Index Number	Part Number	Code	Nomenclature	No. Req.	Serial Numbers Affected
45-	35635		DRAWING - Fuel System Installation		
-1	481 666		PUMP - Electric fuel (478 360)	1	
-2	751 872		* GASKET - Cover (479 136)	1	
-3	751 799		* SCREEN - Filter (479 135)	1	
-4	62301-03		GASCOLATOR ASSEMBLY - Fuel	1	
-5	63479-00		* BOWL ASSEMBLY - E. Z. Drain	1	
-6	458 946		** ELBOW - (AN915-1D)	1	
-7	492 022		** VALVE - (CCA-1550)	1	
-8	476 678		* NIPPLE - (AN816-6)	1	
-9	488 490		* TEE - (AN826-6)	1	
-10	460 651		* CONNECTOR - (W/H 200 x 2)	1	
-11	494 644		* WIRE ASSEMBLY - Bail (1 PAS)	1	
-12	462 049		* GASKET - (44PA)	1	
-13	35789-02		* SCREEN - Wire fuel strainer	1	
-14	87477-02		* COVER - Fuel strainer	1	
-15	62303-00		* BRACKET - Support	1	
-16	451 872		ADAPTER - (W/H 3200 x 4 x 2)	1	
-17	62219-00		SPACER - Fuel pump mounting	1	
-18	62302-03		COVER ASSEMBLY - Fuel pump and gascolator	1	
-19	65152-11		TUBE ASSEMBLY - Fuel	1	
-20	434 142		GROMMET - (AN931-14-20)	2	
-21	476 687		NIPPLE - (PF10-4)	1	
-22	488 496		TEE - (PF3011-4)	1	28-7690001 to 28-7690479 incl.
	488 497		TEE - (PF31-4)	1	28-7790001 to 28-7990626 incl.
-23	453 680		REDUCER - (AN912-1C)	1	
-24	66768-00		ELBOW - Restricted (45)	1	
-25	476 678		NIPPLE - (AN816-6)	1	
-26	491 947		VALVE - Fuel selector (6S122)	1	
-27	458 895		ELBOW - (AN822-6D)	1	
-28	476 662		NIPPLE - (AN816-6D)	1	
-29	458 892		ELBOW - (AN823-6D)	1	
-30	462 060	B	O-RING - (MS29512-6)	2	
-31	451 103		PRIMER ASSEMBLY - (K-2406-SAE-2)	1	
-32	63901-14		HOSE ASSEMBLY - Engine pump outlet	1	
-33	63913-25		HOSE - Fire shield	1	
-34	63901-12		HOSE ASSEMBLY - Engine pump outlet	1	
-35	63913-40		HOSE - Fire shield	1	
-36	63901-19		HOSE ASSEMBLY - Engine pump inlet	1	
-37	63913-41		HOSE - Fire shield	1	
-38	63901-07		HOSE ASSEMBLY - To fuel pressure gauge	1	
-39	63913-11		HOSE - Flexible engine pump drain	1	
-40	17766-06	C	HOSE ASSEMBLY - To primer lines (1/8" I.D.)	1	
	63901-77	A	HOSE ASSEMBLY - To primer lines (3/16" I.D.)	1	
-41	98044-71		TUBE ASSEMBLY - Fuel line to fuel tank	2	
-42	63633-23		HOSE - Engine pump air	1	
-43	62928-00		LINE ASSEMBLY - Fuel pressure (1/4" x 46")	1	
	67700-36		LINE ASSEMBLY - Fuel pressure (1/4" x 52")	1	
-44	63803-04		LINE ASSEMBLY - Fuel pressure (3/16" x 20")	1	
-45	63824-06		LINE ASSEMBLY - Primer to engine	1	
-46	63825-06		LINE ASSEMBLY - Primer to gascolator	1	
-47	62305-00		LINE ASSEMBLY - Selector valve to gascolator	1	
-48	67700-57		LINE ASSEMBLY - Selector valve to left wing	1	
-49	67700-56		LINE ASSEMBLY - Selector valve to right wing	1	
-50	67700-25		LINE ASSEMBLY - To left wing	1	
-51	98044-72		LINE ASSEMBLY - Fuel, wing	1	
-52	62309-00		LINE ASSEMBLY - Fuel, right wing	1	

When ordering, always specify Part Number, Description, and Serial Number of Aircraft

Reissued: September 15, 1994

**PIPER AIRCRAFT
PA-28-181
AIRPLANE PARTS CATALOG**

Figure and Index Number	Part Number	Code	Nomenclature	No. Req.	Serial Numbers Affected
45-53	63806-00		LINE ASSEMBLY - Primer, left	1	
-54	63807-00		LINE ASSEMBLY - Primer, right	1	
-55	63837-00		LINE ASSEMBLY - Primer, left	1	
-56	63838-00		LINE ASSEMBLY - Primer, left	1	
-57	31197-00		PRIMER JET	3	
-58	90797-02		SLEEVE - Primer line clamp	7	
-59	14470-00		BRACKET - Primer line tee	1	
-60	18078-00	C	CLAMP - Primer line tee	1	
	65429-02	A	CLAMP - Primer line tee	1	
-61	80032-69		CLAMP - Primer line	4	
-62	21230-00		CLAMP - Primer line	1	
-63	488 318	C	TEE - (AN824-2D)	1	
	588 436	A	TEE - (MS20825-2D)	1	
-64	460 652		TEE - (W/H 702 x 2)	1	
-65	99311-00		BAFFLE ASSEMBLY - Engine fuel pump	1	28-7690001 to 28-7890225 incl.
	99311-05		BAFFLE ASSEMBLY - Engine fuel pump	1	28-7890226 to 28-7990626 incl.
-66	18321-00		PLATE - Firewall seal	4	
-67	63915-14		GROMMET - Firewall seal	2	
-68	63915-11		GROMMET - Firewall seal	2	
-69	491 048	C	UNION - (AN815-2D)	1	
	484 348	A	REDUCER - (AN919-OD)	1	
-70	491 054		UNION - (AN815-3)	1	
	484 307	C	UNION - (AN919-2)	1	
-71	491 082		UNION - (6H12D)	2	
-72	476 662		UNION - (AN816-6D)	2	
-73	491 082		UNION - (6H12D)	3	
-74	458 948		ELBOW - 90° (1K1-2-4)	1	
-75	558 830	B	ELBOW - (RAC2000-6)	1	
-76	588 462	B	TEE - (RAC3300-6)	1	
-77	434 133		GROMMET - (MS35489-12)	4	
-78	434 159		GROMMET - (AN931-7S-11)	2	
-79	454 994		CLAMP - (H-2-1160)	2	
-80	99754-02		SUPPORT ASSEMBLY - Fuel selector cover	1	
	587 297		* SPRING - (99756-00)	1	
-81	455 173	A	COUPLING - (AN910-1D)	1	
-82	476 647	A	NIPPLE - (AN816-3D)	1	
-83	67661-00		GUARD - Fuel line	1	
-84	98044-70		LINE ASSEMBLY - Fuel pressure, left	1	
-85	553 781		BUSHING - Snap (PS10064-2824)	2	
-86	558 910		ELBOW - (AN822-6-2)	1	
-87	458 868		ELBOW - (AN822-6)	1	

When ordering, always specify Part Number, Description, and Serial Number of Aircraft

Reissued: September 15, 1994

1J14

Island Enterprises

**PIPER AIRCRAFT
PA-28-181
AIRPLANE PARTS CATALOG**

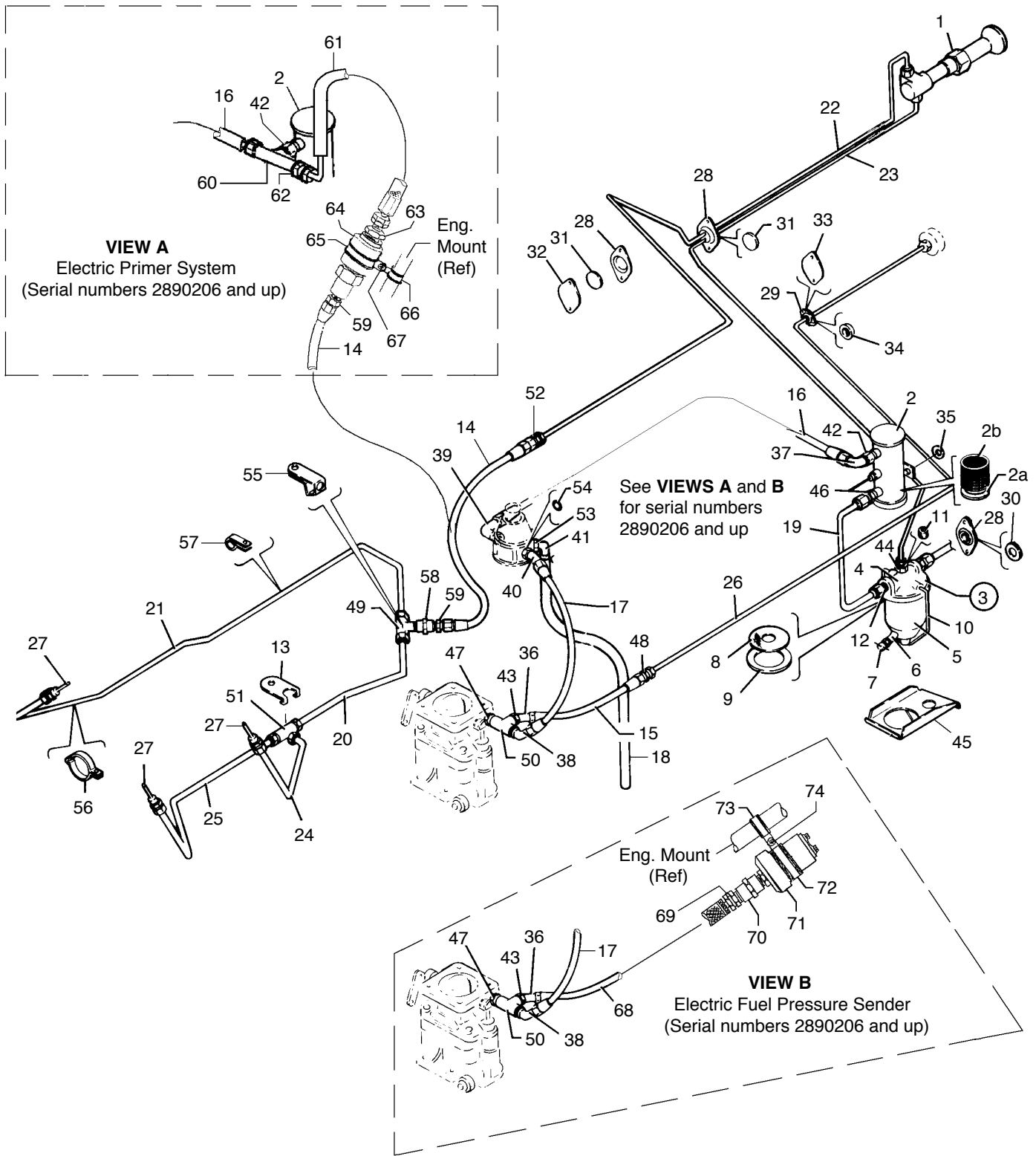


Figure 45A. Forward Fuel System Installation
(Serial numbers 28-8090001 and up)

Reissued: September 15, 1994

**PIPER AIRCRAFT
PA-28-181
AIRPLANE PARTS CATALOG**

CODE EXPLANATIONS FOR FIGURE 45A

- A - Used if Engine Primer System is not installed.
- B - Used if Engine Primer System is installed.
- C - Used if Electric Primer System is installed.
- D - Used if Electric Fuel Pressure Sender is installed.

**PIPER AIRCRAFT
PA-28-181
AIRPLANE PARTS CATALOG**

Figure and Index Number	Part Number	Code	Nomenclature	No. Req.	Serial Numbers Affected
45A-	35327		DRAWING - Engine Primer Installation		
	35328		DRAWING - Forward Fuel System Installation		
	89367		DRAWING - Electric Primer System Installation		2890206 and up
-1	451 103		PUMP - Primer (K2406-SAE-2)	1	
-2	35328-800		PUMP ASSEMBLY - Electric fuel, 14 volt	1	
	35328-803		PUMP ASSEMBLY - Electric fuel, 28 volt	1	
	481 666		* PUMP - Electric fuel, 14 volt	1	
	461 740		* PUMP - Electric fuel, 28 volt	1	
-2a	751 872		* GASKET - Cover (479136)	1	
-2b	751 799		* SCREEN - Filter (479135)	1	
-3	35715-03		GASCOLATOR ASSEMBLY - Fuel	1	
-4	87477-02		* COVER - Fuel strainer	1	
-5	63479-00		* BOWL ASSEMBLY - Gascolator	1	
-6	458 946		* * ELBOW - (AN915-1D) Drain	1	
-7	492 312		* * VALVE - Drain (CCA-36150)	1	
-8	35789-02		* SCREEN - Fuel strainer	1	
-9	462 049		* GASKET - (44 PA)	1	
-10	494 644		* WIRE - Bail (1 PAS)	1	
-11	580 887	A	* PLUG - (AN932-2)	1	
-12	476 678		* NIPPLE - (AN816-6)	1	
-13	14470-00		BRACKET - Primer tee	1	
-14	17766-06		HOSE ASSEMBLY - Flexible, primer line (1/8" I.D.)	1	
	63901-77		HOSE ASSEMBLY - Flexible, primer (3/16" I.D.)	1	
-15	63901-07		HOSE ASSEMBLY - Flexible, to pressure gauge	1	
-16	63901-57		HOSE ASSEMBLY - Flexible, electric pump to engine pump	1	
-17	63901-74		HOSE ASSEMBLY - Flexible	1	
-18	69015-04		HOSE - Flexible, engine fuel pump vent	1	
-19	35457-00		TUBE ASSEMBLY - Fuel gascolator to electric pump	1	
-20	63806-00		TUBE ASSEMBLY - Primer	1	
-21	63807-00		TUBE ASSEMBLY - Primer	1	
-22	63824-06		TUBE ASSEMBLY - Primer	1	
-23	63825-06		TUBE ASSEMBLY - Primer	1	
-24	63837-00		TUBE ASSEMBLY - Primer	1	
-25	63838-00		TUBE ASSEMBLY - Primer	1	
-26	67700-396		TUBE ASSEMBLY - Fuel pressure to gauge	1	
-27	31197-00		JET ASSEMBLY - Primer	3	
-28	18321-00		PLATE - Fire wall seal	4	
-29	66789-00		PLATE - Fire wall seal	2	
-30	63915-14		DISC - Fire wall seal	2	
-31	63915-18		DISC - Fire wall seal	2	
-32	22105-02		GASKET - Fire wall seal	1	
-33	68771-06		GASKET - Fire wall seal	1	
-34	68770-18		GROMMET - Fire wall seal	2	
-35	62219-00		SPACER - Fuel pump mounting	1	
-36	66768-00		ELBOW - 45 degrees (restricted)	1	
-37	458 868		ELBOW - (MS20822-6)	1	
-38	458 871		ELBOW - (AN823-6)	1	
-39	558 830		ELBOW - (RAC2000-6)	1	
-40	558 831		ELBOW - (RAC4500-6)	1	
-41	458 948		ELBOW - (1K1-2-4)	1	
-42	451 872		ADAPTER - (W/H 3200 x 4 x 2)	1	

When ordering, always specify Part Number, Description, and Serial Number of Aircraft

Reissued: September 15, 1994

**PIPER AIRCRAFT
PA-28-181
AIRPLANE PARTS CATALOG**

Figure and Index Number	Part Number	Code	Nomenclature	No. Req.	Serial Numbers Affected
45A-43	453 680		BUSHING - Reducer (AN912-1C)	1	
-44	460 651	B	CONNECTOR - (W/H 200 x 2)	1	
-45	35454-00		BRACKET ASSEMBLY - Gascolator	1	
-46	476 685		NIPPLE - (AN816-6-2)	1	
-47	476 705		NIPPLE - (C3069 x 4)	1	
-48	484 307		REDUCER - (AN919-2)	1	
-49	588 436		TEE - (MS20825-2D)	1	
-50	588 391		TEE - (C3709 x 4)	1	
-51	460 652		TEE - (W/H 702 x 2)	1	
-52	484 348		REDUCER - (AN919-0D)	1	
-53	477 631		NUT - (AN924-6)	1	
-54	462 060		O-RING - (MS29512-6)	1	
-55	65429-02		CLAMP - Primer tee	1	
-56	21230-00		CLAMP - Primer line	1	
-57	80032-69		CLAMP - Primer line	1	
-58	455 173		COUPLING - (AN910-1D)	1	
-59	476 647		NIPPLE - (AN816-3D)	1	
-60	488 330	C	TEE - (AN825-6)	1	2890206 and up
-61	56958-28	C	HOSE ASSEMBLY - Flexible	1	2890206 and up
-62	553 685	C	BUSHING - (AN894-6-4)	1	2890206 and up
-63	476 686	C	NIPPLE - (AN816-4)	1	2890206 and up
-64	86875-04	C	VALVE ASSEMBLY - Solenoid (28 volt)	1	2890206 and up
	592 634	C	* VALVE - Solenoid (28 volt)	1	2890206 and up
-65	554 941	C	CLAMP	1	2890206 and up
-66	454 868	C	CLAMP	1	2890206 and up
-67	411 532	C	SCREW - (MS35207-263)	1	2890206 and up
	404 887	C	NUT - (MS20365-1032C)	1	2890206 and up
	407 584	C	WASHER - (AN960-10L)	1	2890206 and up
-68	63901-81	D	HOSE ASSEMBLY - Flexible	1	2890206 and up
-69	476 697	D	ADAPTER - (AN816-3)	1	2890206 and up
-70	455 174	D	COUPLING - (3300 x 2)	1	2890206 and up
-71	486 439	D	SENDER - Pressure	1	2890206 and up
-72	554 845	D	CLAMP	1	2890206 and up
-73	454 868	D	CLAMP	1	2890206 and up
-74	515 714	D	SCREW - (MS35206-245)	1	2890206 and up
	404 833	D	NUT - (MS20364-832C)	1	2890206 and up
	407 584	D	WASHER - (AN960-10L)	1	2890206 and up

When ordering, always specify Part Number, Description, and Serial Number of Aircraft

Reissued: September 15, 1994

1J18

Island Enterprises

PIPER AIRCRAFT
PA-28-181
AIRPLANE PARTS CATALOG

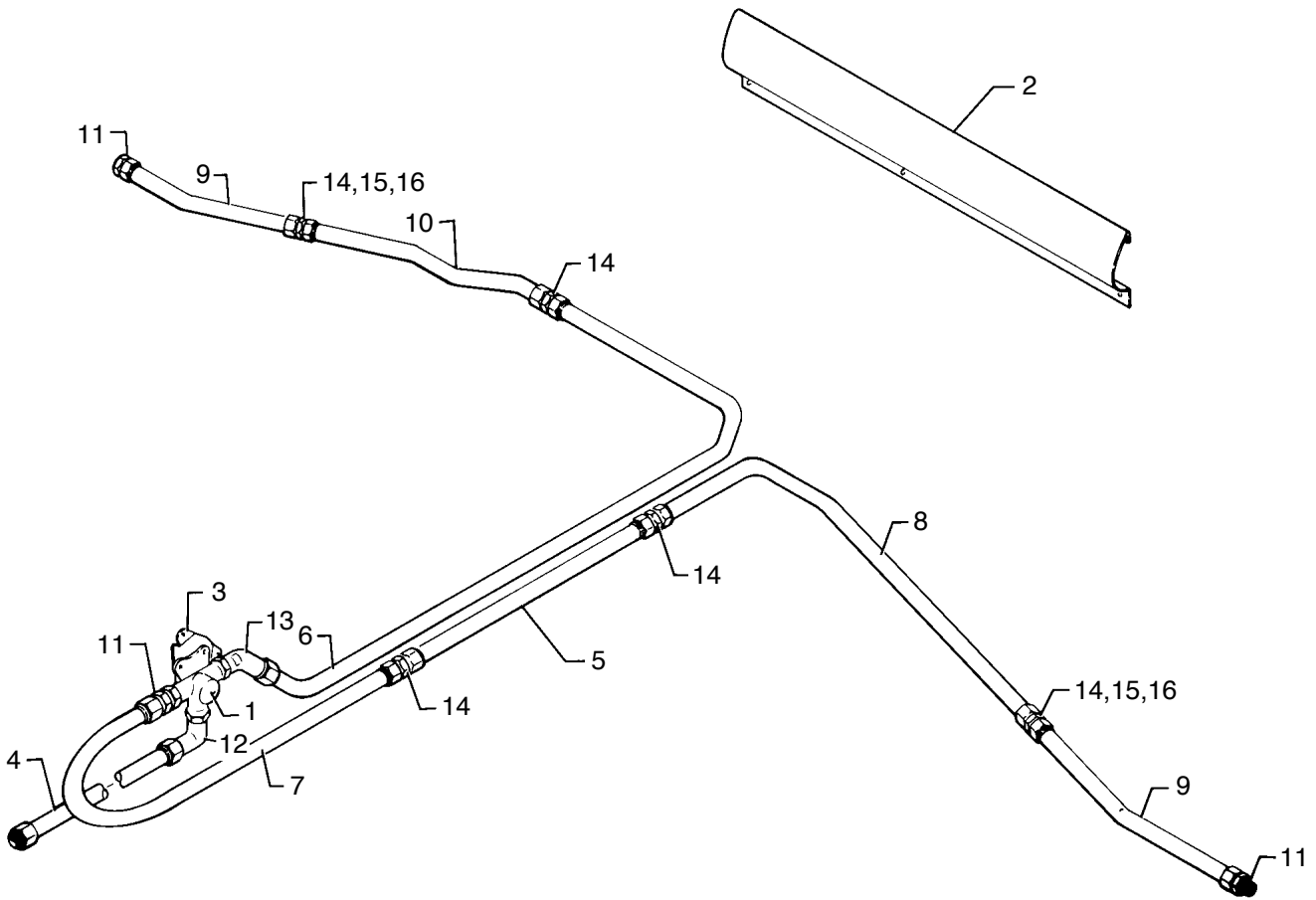


Figure 46. Aft Fuel System Installation
(Serial numbers 28-8090001 and up)

Reissued: September 15, 1994

1J19

**PIPER AIRCRAFT
PA-28-181
AIRPLANE PARTS CATALOG**

CODE EXPLANATIONS FOR FIGURE 46

Reissued: September 15, 1994

1J20

Island Enterprises

**PIPER AIRCRAFT
PA-28-181
AIRPLANE PARTS CATALOG**

Figure and Index Number	Part Number	Code	Nomenclature	No. Req.	Serial Numbers Affected
46-	35645		DRAWING - Aft Fuel System Installation		
-1	491 947		VALVE - Fuel selector (6S122)	1	
-2	67661-00		GUARD - Fuel line	1	
-3	99754-02		SUPPORT ASSEMBLY - Fuel selector cover	1	
	587 297		* SPRING - (99756-00)	1	
-4	62305-00		TUBE ASSEMBLY - Fuel line	1	
-5	67700-25		TUBE ASSEMBLY - Fuel line, left	1	
-6	67700-56		TUBE ASSEMBLY - Fuel line, right	1	
-7	67700-57		TUBE ASSEMBLY - Fuel line, left	1	
-8	98044-70		TUBE ASSEMBLY - Fuel line, left	1	
-9	98044-71		TUBE ASSEMBLY - Fuel line, left	1	
-10	98044-72		TUBE ASSEMBLY - Fuel line, right	1	
-11	476 662		NIPPLE - (AN816-6D)	3	
-12	458 895		ELBOW - (MS20822-6D)	1	
-13	458 892		ELBOW - (AN823-6D)	1	
-14	491 082		UNION - (6H12D)	5	
-15	477 670		NUT - (6B12D)	2	
-16	460 464		FERRULE - (6T12D)	2	

When ordering, always specify Part Number, Description, and Serial Number of Aircraft

Reissued: September 15, 1994

1J21

Island Enterprises

**PIPER AIRCRAFT
PA-28-181
AIRPLANE PARTS CATALOG**

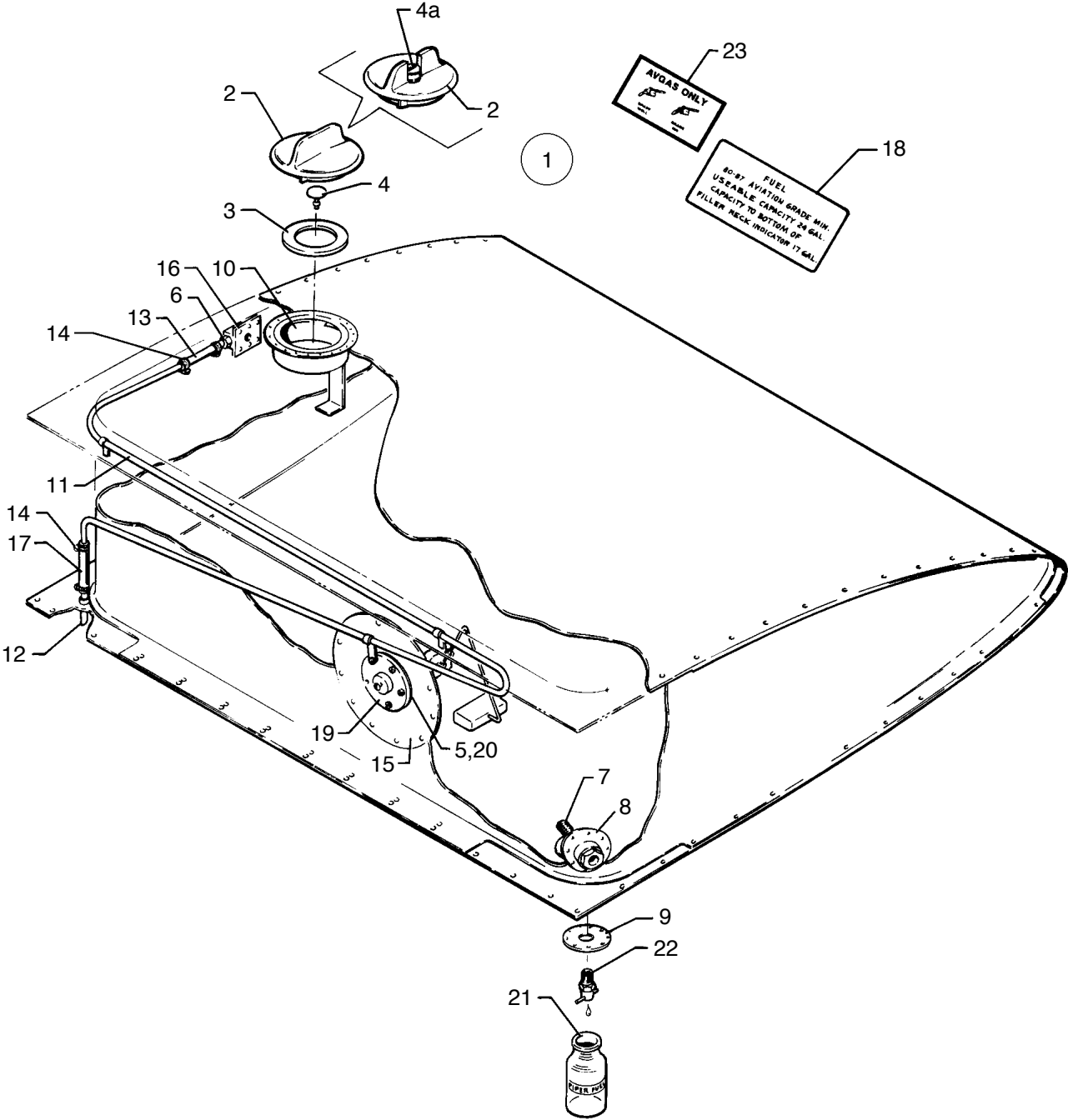


Figure 47. Fuel Tank Assembly

Reissued: September 15, 1994

**PIPER AIRCRAFT
PA-28-181
AIRPLANE PARTS CATALOG**

CODE EXPLANATIONS FOR FIGURE 47

- A - Used with fuel cap assemblies 66817-00 and 39824-02 only.
- B - Used with Fuel Cap Assembly Kit 39830-800 only.
- C - Used with Fuel Cap Assembly Kit 39830-800 and fuel cap assembly 39824-02 only.
- D - Kit includes two cap assemblies with matching locks.
- E - Used on serial numbers 28-7690001 to 28-8190279 inclusive, 28-8290017, 28-8290018, 28-8290028, 28-8290033, 28-8290034, and 28-8290036.
- F - Used on serial numbers 28-8190280 to 28-8290016 inclusive, 28-8290019 to 28-8290027 inclusive, 28-8290029 to 28-8290032 inclusive, 28-8290035, 28-8290037 and up.
- G - DISTRIBUTORS: Before replacing engine gauges and senders, see Piper Aircraft Service Spares Letter 406.

Reissued: September 15, 1994

1J23

Island Enterprises

**PIPER AIRCRAFT
PA-28-181
AIRPLANE PARTS CATALOG**

Figure and Index Number	Part Number	Code	Nomenclature	No. Req.	Serial Numbers Affected
47-1	35633-02		TANK ASSEMBLY - Fuel, left	1	
	35633-03		TANK ASSEMBLY - Fuel, right	1	
	35633-04		TANK ASSEMBLY - Fuel, left	1	2890206 and up
	35633-05		TANK ASSEMBLY - Fuel, right	1	2890206 and up
-2	66817-00		* CAP ASSEMBLY - Fuel tank (non-locking)	1	
	39830-800	D	* CAP ASSEMBLY KIT - Fuel tank (with locks)	1	
	39824-02		* CAP ASSEMBLY - Fuel tank (locking)	1	2890206 and up
-3	66815-00	A	** GASKET - Fuel cap	1	
	39829-02	B	** GASKET - Fuel cap	1	
-4	492 153	B	** VALVE - Fuel cap vent (VA3123)	1	
-4a	39856-02	C	** LOCK ASSEMBLY - Fuel cap	2	
-5	461 931	E,G	* GASKET - Fuel gauge (15-423)	1	
-6	451 857		* ADAPTER - (AN840-4D) with bead	1	
	560 951		* ADAPTER - (1068 x 6 x 2) without bead	1	
-7	72091-00		* STRAINER - Fuel tank finger	1	
-8	35638-00		* OUTLET ASSEMBLY - Fuel tank, left	1	
	35638-01		* OUTLET ASSEMBLY - Fuel tank, right	1	
-9	62033-00		* PLATE - Drain	1	
-10	69785-01		* FILLER NECK ASSEMBLY	1	
	87241-06		* FILLER NECK ASSEMBLY	1	2890206 and up
-11	62060-00		* VENT TUBE - Left (with bead)	1	
	62060-01		* VENT TUBE - Right (with bead)	1	
	62060-04		* VENT TUBE - Left (without bead)	1	
	62060-05		* VENT TUBE - Right (without bead)	1	
-12	36625-02		* VENT ASSEMBLY - Fuel tank, left	1	
	36625-03		* VENT ASSEMBLY - Fuel tank, right	1	
-13	63913-193		* HOSE -Connector	1	
-14	554 861		* CLAMP - (SAE TY F-4)	4	
-15	62044-00		* PLATE - Fuel tank	1	
-16	62059-00		* FITTING - Fuel line	1	
-17	63913-194		* HOSE - Connector	1	
-18	69669-63		PLACARD - Fuel	1	28-7690001 to 28-8090174 incl.
	35669-163		PLACARD - Fuel	1	28-8090175 to 28-8490029 incl.
-19	68101-02	G	SENDER - Fuel	2	
	548 671	G	SENDER - Fuel (PS10013-11)	2	
-20	755 049	F,G	* GASKET - Fuel gauge (15-716)	1	
-21	62924-02		SAMPLER - Fuel	1	
-22	492 022		VALVE - Drain (CCA-1550)	2	
-23	456 682		DECAL - Avgas (000002)	2	

When ordering, always specify Part Number, Description, and Serial Number of Aircraft

Reissued: September 15, 1994

1J24

Island Enterprises

**PIPER AIRCRAFT
PA-28-181
AIRPLANE PARTS CATALOG**

THIS PAGE INTENTIONALLY LEFT BLANK

Reissued: September 15, 1994

1K1

Island Enterprises

**PIPER AIRCRAFT
PA-28-181
AIRPLANE PARTS CATALOG**

THIS PAGE INTENTIONALLY LEFT BLANK

PIPER AIRCRAFT
PA-28-181
AIRPLANE PARTS CATALOG

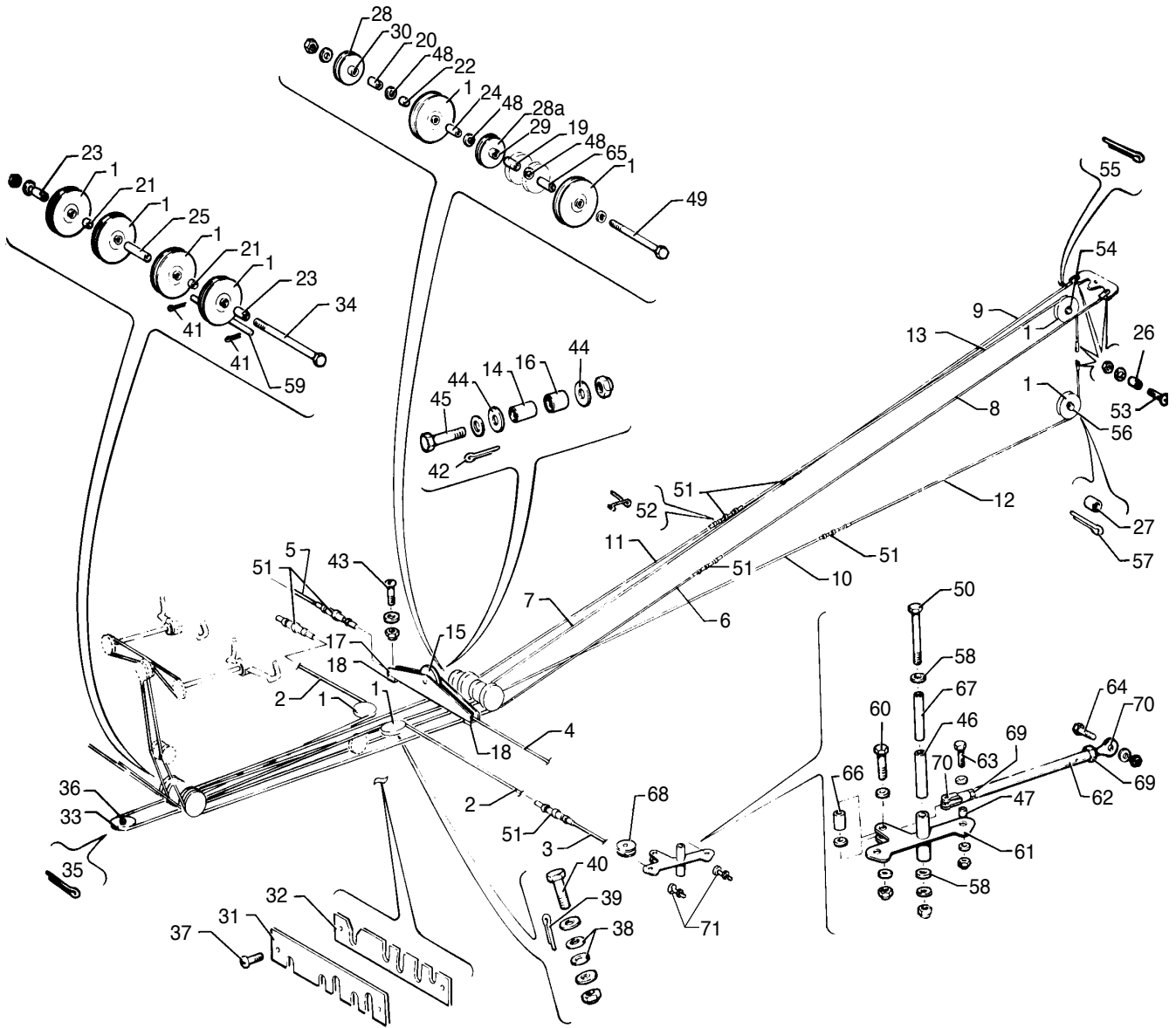


Figure 48. Control System Installation

Reissued: September 15, 1994

**PIPER AIRCRAFT
PA-28-181
AIRPLANE PARTS CATALOG**

CODE EXPLANATIONS FOR FIGURE 48

Reissued: September 15, 1994

1K4

Island Enterprises

PIPER AIRCRAFT PA-28-181 AIRPLANE PARTS CATALOG

Figure and Index Number	Part Number	Code	Nomenclature	No. Req.	Serial Numbers Affected
48-	35135 35630		DRAWING - Control System Installation DRAWING - Wing (Complete)		
-1	41001-10		PULLEY - 2 3/4 diameter	10	
-2	62701-99		CABLE - Forward aileron	2	
-3	62701-122		CABLE - Aileron, wing	2	
-4	62701-123		CABLE - Aileron balance, left	1	
-5	62701-124		CABLE - Aileron balance, right	1	
-6	62701-100		CABLE - Forward rudder, left	1	
-7	62701-100		CABLE - Forward rudder, right	1	
-8	62701-08		CABLE - Aft rudder, left	1	
-9	62701-08		CABLE - Aft rudder, right	1	
-10	62701-113		CABLE - Forward stabilator, left	1	
-11	62701-114		CABLE - Forward stabilator, right	1	
-12	62701-12		CABLE - Aft stabilator, bottom	1	
-13	62701-13		CABLE - Aft stabilator, top	1	
-14	62712-03		BEARING - Inner	1	
-15	62711-02		PULLEY	1	
-16	62713-03		BEARING - Outer	1	
-17	62746-00		BRACKET - Pulley	1	
-18	62762-00		FILLER BLOCK	2	
-19	62714-02		BEARING - Inner	1	
-20	62714-03		BEARING - Inner	1	
-21	62743-02		SPACER - Bushing	2	
-22	62743-03		SPACER - Bushing	1	
-23	62743-04		SPACER - Bushing	2	
-24	62743-05		SPACER - Bushing	1	
-25	62743-06		SPACER - Bushing	1	
-26	63900-31		BUSHING	4	
-27	63900-37		BUSHING - Stabilator pulley	2	
-28	62711-03		PULLEY	1	
-28a	62711-03		PULLEY	1	
-29	62715-02		BEARING - Outer	1	
-30	62715-02		BEARING - Outer	1	
-31	62768-00		FAIRLEAD	1	
-32	62769-00		FAIRLEAD	1	
-33	481 625		PULLEY - (MS20220-2)	1	
-34	401 385		BOLT - (AN5-64A)	1	
	407 566		WASHER - (AN960-516)	3	
	404 889		NUT - (MS20365-524C)	1	
-35	424 054		COTTER PIN - (AN380-2-6)	2	
-36	401 353		BOLT - (AN5-12A)	1	
	407 566		WASHER - (AN960-516)	1	
	404 889		NUT - (MS20365-524C)	1	
-37	415 150		SCREW - (AN526-632R10)	2	
-38	407 586		WASHER - (AN960-516L)	4	
-39	424 052		COTTER PIN - (AN380-2-3)	4	
-40	401 188		BOLT - (AN5-10A)	2	
	407 566		WASHER - (AN960-516)	2	
	404 889		NUT - (MS20365-524C)	2	
-41	424 051		COTTER PIN - (MS24665-132)	2	
-42	424 055		COTTER PIN - (AN380-2-5)	1	
-43	401 266		BOLT - (AN3-5A)	2	
	407 564		WASHER - (AN960-10)	2	
	404 887		NUT - (MS20365-1032C)	2	
-44	407 566		WASHER - (AN960-516)	2	

When ordering, always specify Part Number, Description, and Serial Number of Aircraft

Reissued: September 15, 1994

**PIPER AIRCRAFT
PA-28-181
AIRPLANE PARTS CATALOG**

Figure and Index Number	Part Number	Code	Nomenclature	No. Req.	Serial Numbers Affected
48-45	400 008		BOLT - (AN4-13A)	1	
	407 565		WASHER - (AN960-416)	1	
	407 585		WASHER - (AN960-416L)	1	
	404 888		NUT - (S20365-428C)	1	
-46	63882-08		BUSHING - Aileron bellcrank	2	28-7790001 to 28-7790233 incl.
	63882-68		BUSHING - Aileron bellcrank	2	28-7790234 and up
-47	63900-31		BUSHING - Aileron bellcrank	2	
-48	407 567		WASHER - (AN960-616)	4	
-49	401 378		BOLT - (AN5-53A)	1	
	407 566		WASHER - (AN960-516)	3	
	404 889		NUT - (MS20365-524C)	1	
-50	400 457		BOLT - (AN3-32A)	1	28-7690001 to 28-7790233 incl.
	401 289		BOLT - (AN3-63A)	1	28-7790234 and up
	407 564		WASHER - (AN960-10)	1	
	404 887		NUT - (MS20365-1032C)	1	
-51	489 910		BARREL - Turnbuckle (MS21251-B5S)	7	
-52	554 979		CLIP - (MS21256-1)	14	
-53	400 674		BOLT - Clevis (AN23-12)	4	
	407 564		WASHER - (AN960-10)	4	
	404 392		NUT - (AN320-3)	4	
	424 051		COTTER PIN - (MS24665-132)	4	
-54	401 188		BOLT - (AN5-10A)	1	
	407 566		WASHER - (AN960-516)	1	
	404 889		NUT - (MS20365-524C)	1	
-55	424 053		COTTER PIN - (AN380-2-4)	1	
-56	401 354		BOLT - (AN5-13A)	1	
	407 566		WASHER - (AN960-516)	1	
	404 889		NUT - (MS20365-524C)	1	
-57	424 054		COTTER PIN - (AN380-2-6)	1	
-58	494 103		WASHER - Bellcrank (97322)	4	
-59	62710-02		PIN - Cable guard	1	
-60	400 678		BOLT - (AN23-16)	2	
	407 564		WASHER - (AN960-10)	2	
	407 584		WASHER - (AN960-10L)	2	
	404 392		NUT - (AN320-3)	2	
	424 051		COTTER PIN - (MS24665-132)	2	
-61	35614-02		BELLCRANK ASSEMBLY - Aileron, left	1	28-7690001 to 28-7790233 incl.
	35614-10		BELLCRANK ASSEMBLY - Aileron, left	1	28-7790234 and up
	35614-03		BELLCRANK ASSEMBLY - Aileron, right	1	28-7690001 to 28-7790233 incl.
	35614-11		BELLCRANK ASSEMBLY - Aileron, right	1	28-7790234 and up
-62	35476-01		ROD ASSEMBLY - Aileron	2	
-63	402 669		BOLT - (NAS1103-7D)	4	
	407 564		WASHER - (AN960-10)	4	
	407 584		WASHER - (AN960-10L)	4	
	404 945		NUT - (MS17826-3)	4	
	424 051		COTTER PIN - (MS24665-132)	4	
-64	401 270		BOLT - (AN3-11A)	2	
	407 564		WASHER - (AN960-10)	6	
	404 887		NUT - (MS20365-1032C)	1	
-65	62743-08		SPACER - Bushing	1	
-66	63900-119		SPACER - Aileron push rod	2	
-67	65003-04		BUSHING - Aileron bellcrank	2	28-7690001 to 28-7790233 incl.
	65003-57		BUSHING - Aileron bellcrank	2	28-7790234 and up

When ordering, always specify Part Number, Description, and Serial Number of Aircraft

**PIPER AIRCRAFT
PA-28-181
AIRPLANE PARTS CATALOG**

Figure and Index Number	Part Number	Code	Nomenclature	No. Req.	Serial Numbers Affected
48-68	41001-04		PULLEY - 2 3/4`` diameter	1	
-69	404 322		NUT - Lock (AN316-4R)	2	
-70	452 335		BEARING - Rod end (PS10020-2-1RX)	4	
-71	66614-00		STOP - Aileron bellcrank	4	
	404 224		NUT - (AN315-3R)	4	

When ordering, always specify Part Number, Description, and Serial Number of Aircraft

Reissued: September 15, 1994

1K7

Island Enterprises

**PIPER AIRCRAFT
PA-28-181
AIRPLANE PARTS CATALOG**

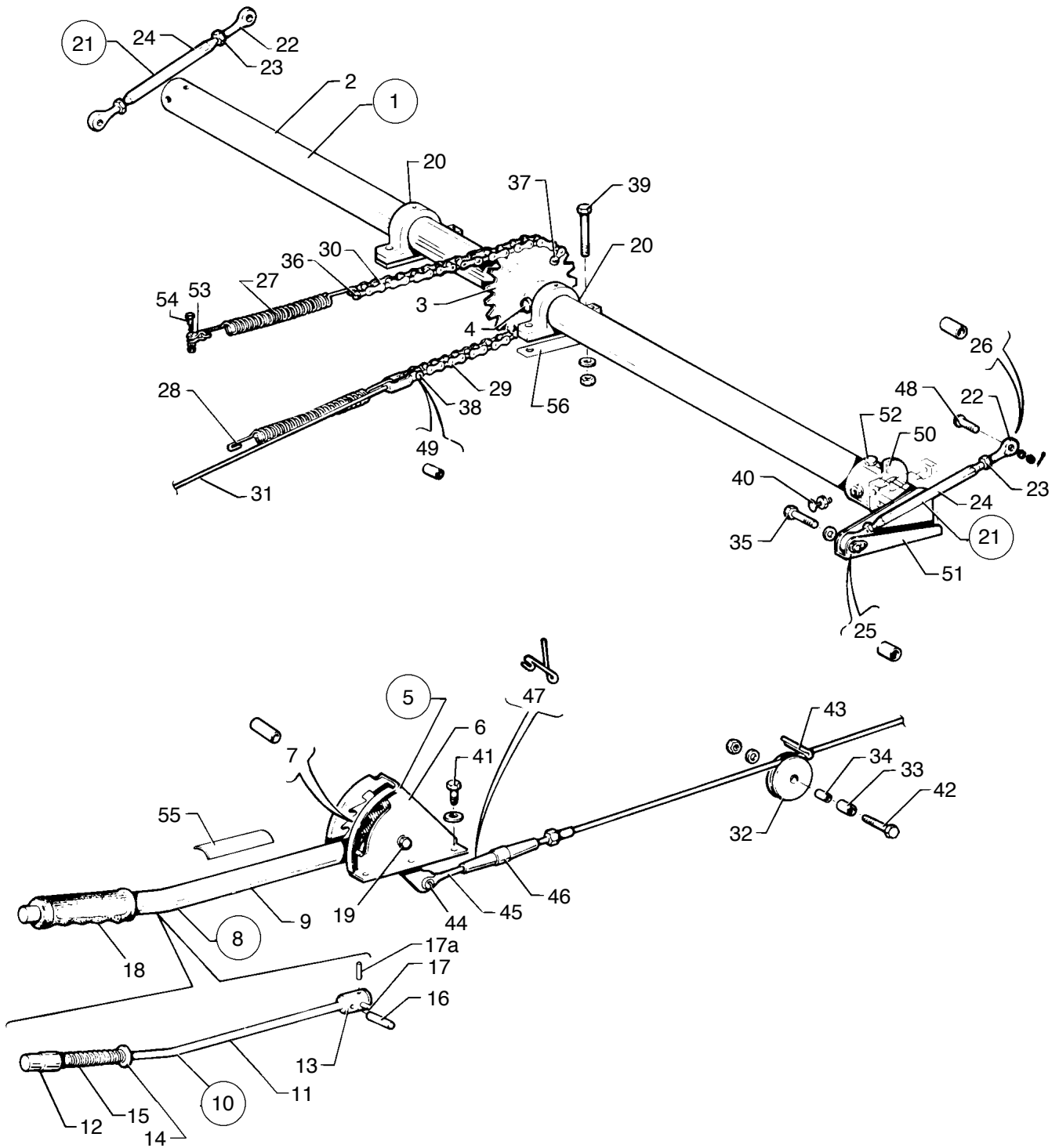


Figure 49. Flap Control Installation

Reissued: September 15, 1994

1K8

Island Enterprises

**PIPER AIRCRAFT
PA-28-181
AIRPLANE PARTS CATALOG**

CODE EXPLANATIONS FOR FIGURE 49

- A - Used if two or more torque shaft support shims, 35402-04, are installed with each torque shaft support clamp assembly.
- B - See latest revision of Piper Service Bulletin 965.

Reissued: September 15, 1994

1K9

Island Enterprises

PIPER AIRCRAFT

PA-28-181

AIRPLANE PARTS CATALOG

Figure and Index Number	Part Number	Code	Nomenclature	No. Req.	Serial Numbers Affected
49-	35135		DRAWING - Control System Installation		
-1	62705-00		FLAP TORQUE TUBE ASSEMBLY - Complete	1	
-2	62725-00		* TORQUE TUBE - Flap	1	
-3	62789-02		* SPROCKET ASSEMBLY - Flap torque tube	1	
-4	400 012		* BOLT - (AN4-17A)	2	
	407 585		* WASHER - (AN960-416)	2	
	404 836		* NUT - (MS20365-428)	2	
-5	62706-06		LEVER ASSEMBLY - Flap control	1	
-6	65654-06		* BRACKET ASSEMBLY - Flap lever	1	
-7	62740-00		* BUSHING - Flap lever	1	
-8	63782-04		* HANDLE ASSEMBLY - Flap lever	1	
-9	63781-07		** TUBE ASSEMBLY - Flap lever	1	
-10	63391-03		** PLUNGER ASSEMBLY - Flap lever	1	
-11	63391-02		*** TUBE - Plunger	1	
-12	62733-00		*** PLUG - Plunger, upper	1	
-13	62734-00		*** PLUG - Plunger, lower (.190 pin hole)	1	
	62734-02		*** PLUG - Plunger, lower (.252 pin hole)	1	
-14	62736-00		*** WASHER	1	
-15	50111-00		*** SPRING	1	
-16	480 696		*** PIN - Roll (59-022-094-0625)	2	
-17	480 715		** PIN - Roll (59-040-187-1500)	1	
	63782-03		** PIN - Solid (.250 diameter)	1	
-17a	480 733		** PIN - Roll (79-012-062-0375) 3/8 long	1	
	480 698		** PIN - Roll (59-012-062-0625) 5/8 long	1	
-18	63779-00		** GRIP - Flap lever	1	
-19	401 274		* BOLT - (AN3-15A)	1	
	407 564		* WASHER - (AN960-10)	2	
	404 887		* NUT - (MS20365-1032C)	1	
-20	35402-00		CLAMP ASSEMBLY - Torque shaft support	2	
-21	62764-00		ROD ASSEMBLY - Flap tube	2	
-22	452 335		* BEARING - (F34-14 RH Thread)	1	
	452 336		* BEARING - (FL34-14 LH Thread)	1	
-23	404 322		* NUT - (AN316-4R RH Thread)	1	
	404 320		* NUT - (AN316-4L LH Thread)	1	
-24	62764-02		* TUBE - Flap	1	
-25	63900-38		BUSHING - Flap bellcrank	2	
-26	63900-39		BUSHING - Flap rod end	2	
-27	62820-00		SPRING - Flap return	1	
-28	62821-00		SPRING - Flap cable tension	1	
-29	62858-03		CHAIN - (65 diamond 1/8 roller, length 8.5)	1	
-30	62858-04		CHAIN - (65 diamond 1/8 roller, length 6.0)	1	
-31	62701-101		CABLE ASSEMBLY - Flap	1	
-32	62711-02		PULLEY - flap	1	
-33	62713-02		BEARING - Outer	1	
-34	62712-02		BEARING - Inner	1	
-35	400 443		BOLT - (AN3-12A)	2	
	407 564		WASHER - (AN960-10)	2	
-36	400 652		BOLT - (AN21-8)	1	
	407 562		WASHER - (AN960-6)	1	
	404 391		NUT - (AN320-1)	1	
	424 041		COTTER PIN - (AN380-1-2)	1	
-37	400 653		BOLT - Clevis (AN21-9)	2	
	407 562		WASHER - (AN960-6)	4	
	404 391		NUT - (AN320-1)	2	
	424 041		COTTER PIN - (AN380-1-2)	2	

When ordering, always specify Part Number, Description, and Serial Number of Aircraft

Reissued: September 15, 1994

1K10

Island Enterprises

**PIPER AIRCRAFT
PA-28-181
AIRPLANE PARTS CATALOG**

Figure and Index Number	Part Number	Code	Nomenclature	No. Req.	Serial Numbers Affected
49-38	400 653		BOLT - Clevis (AN21-9)	1	
	404 391		NUT - (AN320-1)	1	
	424 041		COTTER PIN - (AN380-1-2)	1	
-39	400 440		BOLT - (AN3-6A)	4	
	400 441	A	BOLT - (AN3-7A)	4	
	407 564		WASHER - (AN960-10)	4	
	407 564		WASHER - (AN960-10)	12	
	404 887		NUT - (MS20365-1032C)	4	
-40	417 781		SCREW - (AN520-10R24)	2	
	404 224		NUT - (AN315-3R)	2	
-41	400 438		BOLT - (AN3-4A)	6	
	407 564		WASHER - (AN960-10)	6	
	404 887		NUT - (MS20365-1032C)	6	
-42	400 004		BOLT - (AN4-7A)	1	
	407 565		WASHER - (AN960-416L)	1	
	404 888		NUT - (MS20365-428C)	1	
-43	424 052		COTTER PIN - (AN380-2-3)	1	
-44	400 673	B	BOLT - Clevis (AN23-11)	1	
	407 564	B	WASHER - (AN960-10)	1	
	63900-174	B	BUSHING	1	
	404 392	B	NUT - (AN320-3)	1	
	424 051	B	COTTER PIN - (MS24665-132)	1	
-45	461 136		FORK - (NAS645-22RS)	1	
-46	489 910		BARREL - (MS21251-B5S)	1	
-47	554 979		CLIP - (MS21256-1)	2	
-48	400 680		CLEVIS BOLT - (AN23-18)	2	
	407 564		WASHER - (AN960-10)	2	
	404 100		NUT - Castle (AN310-3)	2	
	424 051		COTTER PIN - (MS24665-132)	2	
-49	82732-76		BUSHING	1	
-50	62856-00		FITTING ASSEMBLY - Left	1	
	62856-01		FITTING ASSEMBLY - Right	1	
-51	62727-00		TUBE ASSEMBLY - Flap torque tube, left	1	
	62727-01		TUBE ASSEMBLY - Flap torque tube, right	1	
-52	401 318		BOLT - (AN4-20A)	4	
	407 565		WASHER - (AN960-416)	4	
	404 888		NUT - (MS20365-428C)	4	
-53	486 563		SHACKLE - (AN115-16)	1	
-54	401 266		BOLT - (AN3-5A)	1	
	407 564		WASHER - (AN960-10)	1	
	404 887		NUT - (MS20365-1032C)	1	
-55	35669-27		PLACARD - Flap lever	1	
-56	35402-04		SHIM - Torque shaft support	AR	

When ordering, always specify Part Number, Description, and Serial Number of Aircraft

Reissued: September 15, 1994

1K11

Island Enterprises

PIPER AIRCRAFT
PA-28-181
AIRPLANE PARTS CATALOG

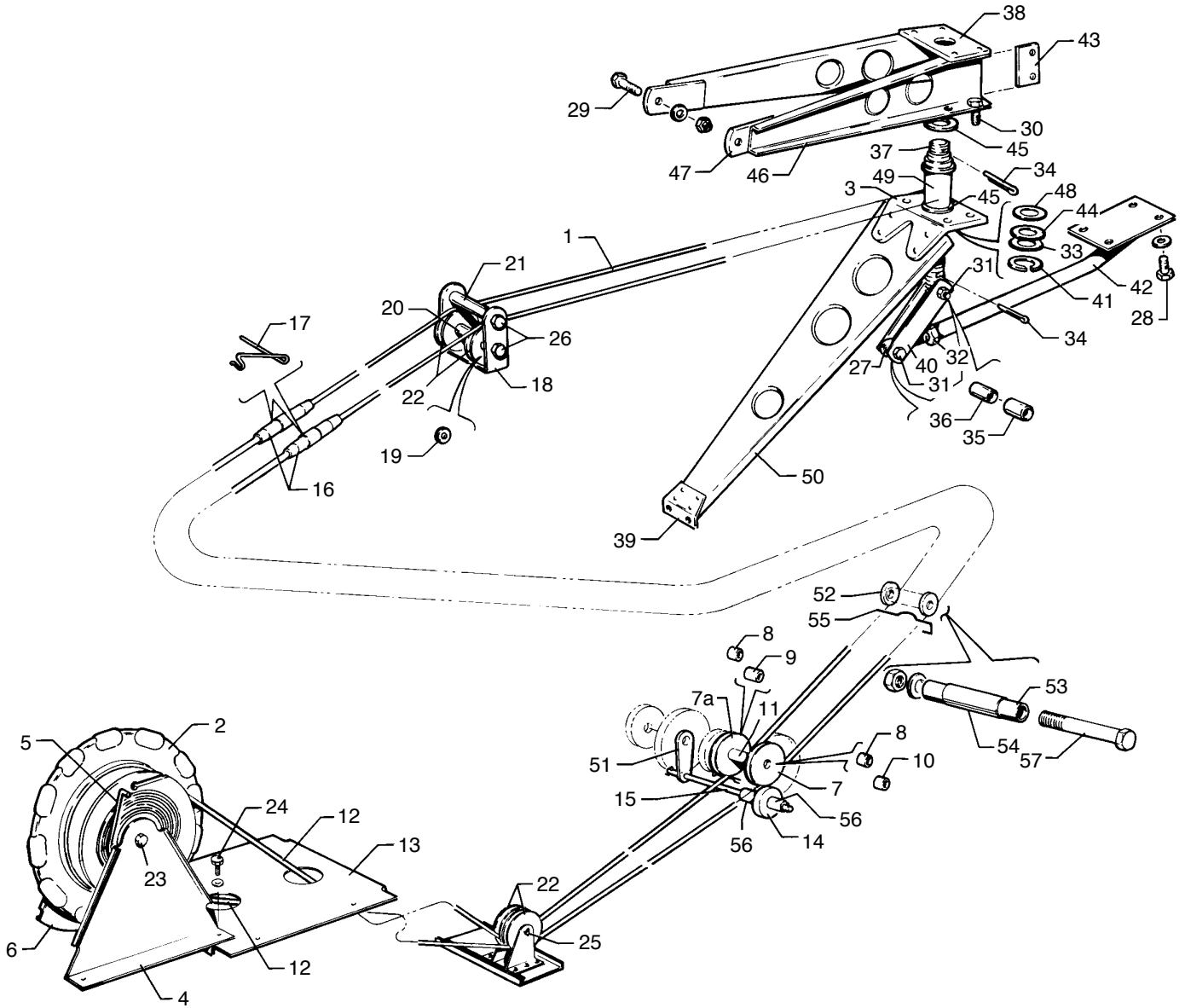


Figure 50. Stabilator Trim Installation

Reissued: September 15, 1994

1K12

Island Enterprises

**PIPER AIRCRAFT
PA-28-181
AIRPLANE PARTS CATALOG**

CODE EXPLANATIONS FOR FIGURE 50

Reissued: September 15, 1994

1K13

Island Enterprises

**PIPER AIRCRAFT
PA-28-181
AIRPLANE PARTS CATALOG**

Figure and Index Number	Part Number	Code	Nomenclature	No. Req.	Serial Numbers Affected
50-	35135		DRAWING - Control System Installation		
	65258		DRAWING - Stabilator Trim Installation		
-1	62701-47		CABLE - Stabilator trim, aft	1	
-2	68414-03		WHEEL ASSEMBLY - Trim tab	1	
-3	65250-02		CLIP - Stabilator trim	1	
-4	65633-00		BRACKET ASSEMBLY - Trim tab	1	
-5	68488-02		INDICATOR - Stabilator trim	1	
-6	65635-00		BRACKET - Trim tab	1	
-7	62711-03		PULLEY - Trim tab	1	
-7a	62711-03		PULLEY - Trim tab	1	
-8	62715-02		BUSHING - Trim tab	2	
-9	62714-02		BUSHING - Trim tab	1	
-10	62714-04		BUSHING - Trim tab	1	
-11	62743-08		SPACER - Stabilator trim pulley	1	
-12	62701-104		CABLE - Stabilator trim, forward	2	
-13	65632-03		PLATE ASSEMBLY - Trim wheel	1	
-14	65639-00		GUARD - Trim pulley	1	
-15	62710-03		PIN - Cable guard	1	
-16	452 015		BARREL - Turnbuckle (NAS649B8S)	2	
	489 873		BARREL - Turnbuckle (MS21251-B2S)	2	
-17	554 979		CLIP - Turnbuckle safety (MS21256-1)	4	
-18	68472-00		BRACKET - Stabilator trim pulley	1	
-19	407 564		WASHER - (AN960-10)	2	
-20	63900-56		BUSHING - Stabilator trim pulley	1	
-21	63900-55		BUSHING - Stabilator trim pulley	1	
-22	481 640		PULLEY - (MS24566-1B)	4	
-23	400 450		BOLT - (AN3-17A)	1	
	63900-61		BUSHING	1	
	407 587		WASHER - (AN960-616L)	1	
	407 564		WASHER - (AN960-10)	1	
	407 584		WASHER - (AN960-10L)	2	
	404 887		NUT - (MS20365-1032C)	1	
-24	400 437		BOLT - (AN3-3A)	4	
-25	424 180		PIN - (AN393-23)	1	
	424 051		COTTER PIN - (MS24665-132)	1	
-26	401 279		BOLT - (AN3-25A)	2	
	407 584		WASHER - (AN960-10L)	2	
	404 887		NUT - (MS20365-1032C)	2	
-27	65254-00		BOLT - Eye, stabilator trim	1	
-28	400 437		BOLT - (AN3-3A)	4	
	407 584		WASHER - (AN960-10L)	4	
-29	401 266		BOLT - (AN3-5A)	2	
	494 066		WASHER - (K19001-3)	2	
	406 551		NUT - (H19000-3)	2	
-30	400 438		BOLT - (AN3-4A)	4	
	407 564		WASHER - (AN960-10)	4	
	404 887		NUT - (MS20365-1032C)	4	
-31	401 269		BOLT - (AN3-10A)	2	
	407 564		WASHER - (AN960-10)	4	
	404 887		NUT - (MS20365-1032C)	2	
-32	404 325		NUT - (AN316-7R)	1	

When ordering, always specify Part Number, Description, and Serial Number of Aircraft

Reissued: September 15, 1994

1K14

Island Enterprises

**PIPER AIRCRAFT
PA-28-181
AIRPLANE PARTS CATALOG**

Figure and Index Number	Part Number	Code	Nomenclature	No. Req.	Serial Numbers Affected
50-33	407 684		WASHER - (AN960-C1216L)	1	
-34	424 123		COTTER PIN - (MS24665-368)	2	
-35	63882-09		SLEEVE - Stabilator trim link	2	
-36	65003-06		BUSHING - Stabilator trim link	2	
-37	65246-00		SHAFT - Stabilator trim	1	
-38	65249-00		PLATE - Stabilator trim	1	
-39	65252-00		CLIP - Stabilator trim	1	
-40	65253-00		LINK - Stabilator trim	2	
-41	484 747		SNAP RING - (5108-75)	1	
-42	65248-00		ARM ASSEMBLY - Stabilator trim	1	
-43	68491-00		GUARD - Cable	2	
-44	452 418		BEARING - Thrust (T-1010)	1	
-45	452 413		BEARING - (F-838)	2	
-46	65244-00		RIB - Stabilator trim	2	
-47	65251-00		TAB - Stabilator trim	2	
-48	62833-18		SHIM - Stabilator trim	1	
-49	63530-00		BARREL - Stabilator trim	1	
-50	65245-00		RIB - Stabilator trim	1	
-51	62709-00		GUARD - Pin holder	1	
-52	62711-04		PULLEY - Stabilator trim	2	
-53	63900-59		BUSHING - Stabilator trim, inner	1	
-54	63900-60		BUSHING - Stabilator trim, outer	1	
-55	99856-00		GUARD - Cable	1	
-56	63900-124		BUSHING	2	
-57	400 446		BOLT - (AN3-16A)	1	
	407 584		WASHER - (AN960-10L)	1	
	404 887		NUT - (MS20365-1032C)	1	

When ordering, always specify Part Number, Description, and Serial Number of Aircraft

Reissued: September 15, 1994

1K15

Island Enterprises

PIPER AIRCRAFT
PA-28-181
AIRPLANE PARTS CATALOG

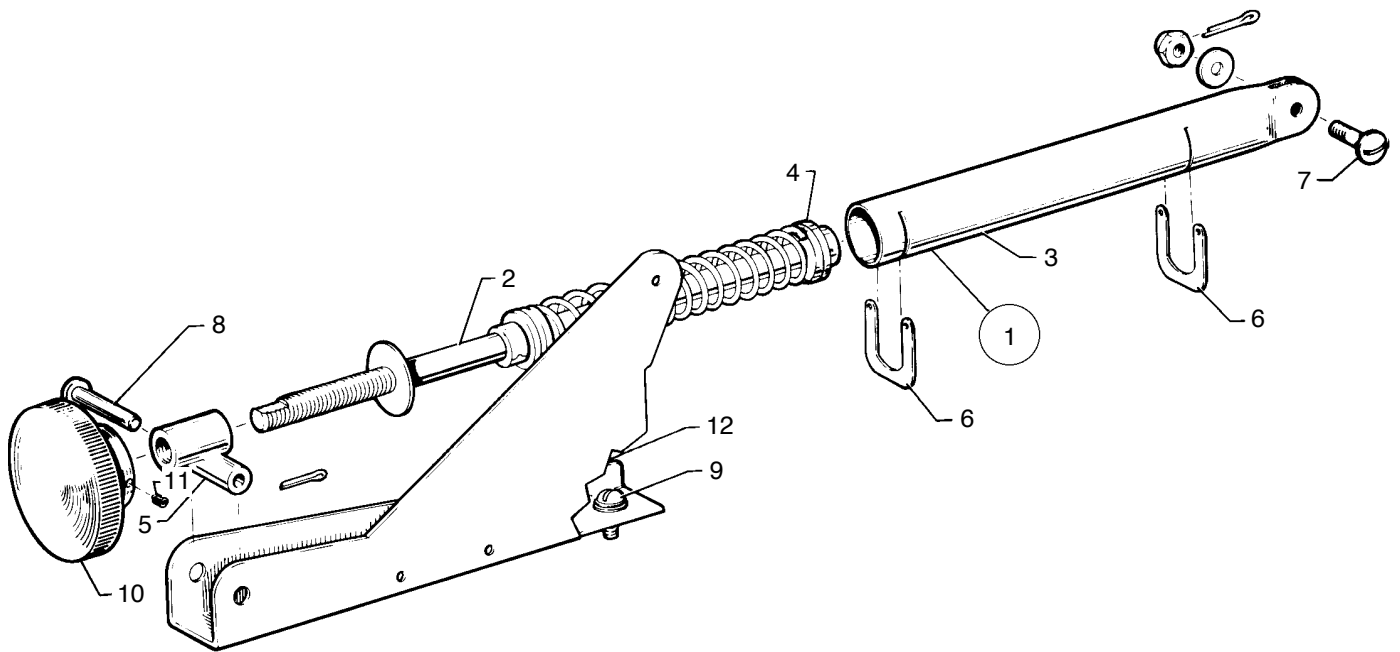


Figure 51. Rudder Trim Mechanism Installation

Reissued: September 15, 1994

1K16

Island Enterprises

**PIPER AIRCRAFT
PA-28-181
AIRPLANE PARTS CATALOG**

CODE EXPLANATIONS FOR FIGURE 51

Reissued: September 15, 1994

1K17

Island Enterprises

**PIPER AIRCRAFT
PA-28-181
AIRPLANE PARTS CATALOG**

Figure and Index Number	Part Number	Code	Nomenclature	No. Req.	Serial Numbers Affected
51-	35135 65837		DRAWING - Control System Installation DRAWING - Rudder Trim Installation		
-1	65837-02		ADJUSTMENT ASSEMBLY - Rudder trim	1	
-2	62829-03		* SHAFT ASSEMBLY - Rudder trim	1	
-3	65836-00		* HOUSING ASSEMBLY - Rudder trim	1	
-4	62833-127		* WASHER	1	
	62833-144		* WASHER	1	
-5	62831-00		* BUSHING ASSEMBLY - Rudder trim	1	
-6	62832-00		* CLIP - Rudder trim	2	
-7	400 672		BOLT - (AN23-10)	1	
	407 584		WASHER - (AN960-10L)	1	
	404 392		NUT - (AN320-3)	1	
	424 051		COTTER PIN - (MS24665-132)	1	
-8	424 186		PIN - Flat head (MS20392-2-35)	1	
	424 051		COTTER PIN - (MS24665-132)	1	
-9	415 753		SCREW - (AN515-8R7)	2	
	407 583		WASHER - (AN960-8L)	2	
-10	62838-00		KNOB - Rudder trim	1	
-11	419 967		SCREW - Set (MS51964-132)	1	
-12	69318-00		CHANNEL - Rudder trim	1	

When ordering, always specify Part Number, Description, and Serial Number of Aircraft

Reissued: September 15, 1994

1K18

Island Enterprises

PIPER AIRCRAFT
PA-28-181
AIRPLANE PARTS CATALOG

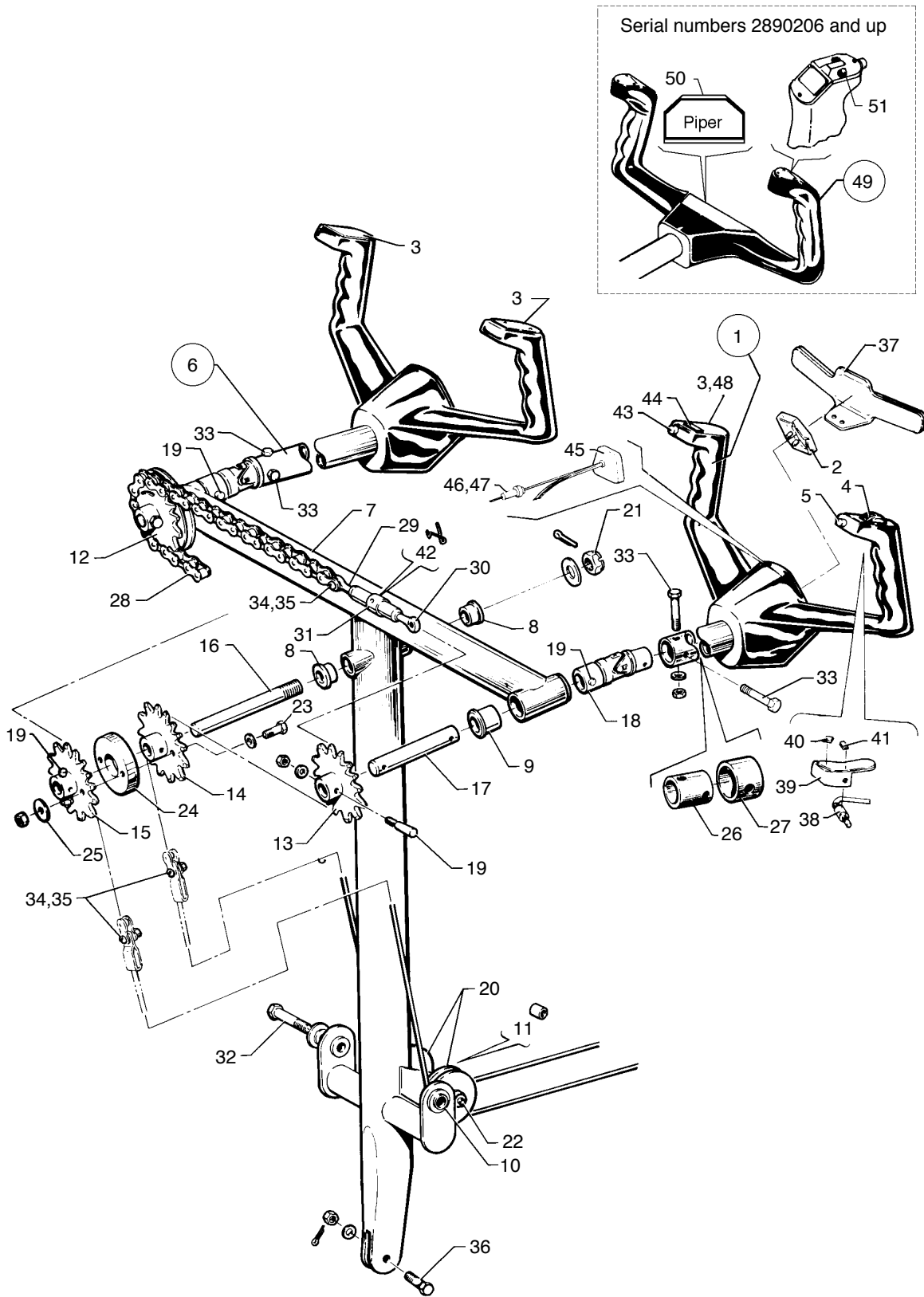


Figure 52. Control Wheel Installation

Reissued: September 15, 1994

1K19

Island Enterprises

**PIPER AIRCRAFT
PA-28-181
AIRPLANE PARTS CATALOG**

CODE EXPLANATIONS FOR FIGURE 52

- A - Used if boom mike only is installed.
- B - Used if boom mike with electric trim and AutoFlite II is installed.
- C - Control wheel assembly does not include switches. Order switches separately.
- D - Used if remote transponder identification switch is installed on right grip of control wheel.

PIPER AIRCRAFT PA-28-181 AIRPLANE PARTS CATALOG

Figure and Index Number	Part Number	Code	Nomenclature	No. Req.	Serial Numbers Affected
52-	35135		DRAWING - Control System Installation		
-1	79276-00	C	WHEEL ASSEMBLY - Control (left grip cored)	2	
	79276-872	C,D	WHEEL ASSEMBLY - Control (both grips cored)	2	
	79275-00		* MEDALLION - Control wheel	1	
-3	67491-00		* PLATE - Control wheel cover (standard)	2	
-4	761 039		KIT - Electric trim switch assembly	1	
-5	67463-00		SWITCH ASSEMBLY - AutoFlite	1	
-6	62019-03		CONTROL COLUMN ASSEMBLY	1	
-7	62703-33		* TEE BAR ASSEMBLY - Control column	1	
-8	452 372		** BEARING - (F-504-2)	2	
-9	452 389		* BEARING - (F-852-2)	4	
-10	452 388		* BEARING - (F4DD)	2	
-11	62712-04		* BUSHING - Control column pulley	2	
-12	62845-02		* SPROCKET ASSEMBLY - Control column, right	1	
-13	62839-00		* SPROCKET ASSEMBLY - Control column, left	1	
-14	62778-00		* SPROCKET ASSEMBLY - Control column, center rear	1	
-15	63404-00		* SPROCKET - Control column, center front	1	
-16	69077-00		* SHAFT - Control column, center	1	
-17	62716-07		* SHAFT - Control column	2	
-18	62834-02		* UNIVERSAL JOINT - Control column	2	
-19	480 730		* PIN - (AN386-1-6A)	5	
	494 093		* WASHER - (AN975-3)	5	
	404 835		* NUT - (MS20364-1032C)	5	
-20	481 651		* PULLEY - Control column (MS20220-1)	2	
-21	407 568		* WASHER - (AN960-716)	1	
	404 104		* NUT - (AN310-7)	1	
	424 060		* COTTER PIN - (MS24665-285)	1	
-22	401 333		* BOLT - (AN4-35A)	1	
	407 565		* WASHER - (AN960-416)	4	
	404 888		* NUT - (MS20365-428C)	1	
-23	401 269		* BOLT - (AN3-10A)	2	
	407 564		* WASHER - (AN960-10)	2	
	407 584		* WASHER - (AN960-10L)	2	
	404 887		* NUT - (MS20365-1032C)	2	
-24	62782-00		* SPACER - Control column	1	
-25	62784-00		* WASHER - Control column	2	
-26	68557-00		* BUSHING - Control column	2	
-27	67193-04		STOP - Tee bar, left control shaft only	1	
	67193-03		STOP - Tee bar, left control shaft only	1	2890206 and up
-28	62858-02		CHAIN - Control	2	
-29	62840-02		EYE BOLT - Turnbuckle, right	1	
-30	62840-03		EYE BOLT - Turnbuckle, left	1	
-31	489 910		BARREL - Turnbuckle (MS21251-B5S)	2	
-32	401 310		BOLT - (AN4-10A)	2	
	62833-85		WASHER - (O. D. 1.50")	2	
	62833-86		WASHER - (O. D. .75")	2	
	404 888		NUT - (MS20365-428C)	2	
-33	66546-00		BOLT - Special	4	
	407 584		WASHER - (AN960-10L)	4	
	404 835		NUT - (MS20364-1032C)	4	
-34	82732-76		BUSHING - Control chain	4	

When ordering, always specify Part Number, Description, and Serial Number of Aircraft

Reissued: September 15, 1994

1K21

Island Enterprises

**PIPER AIRCRAFT
PA-28-181
AIRPLANE PARTS CATALOG**

Figure and Index Number	Part Number	Code	Nomenclature	No. Req.	Serial Numbers Affected
52-35	400 653		BOLT - (AN21-9)	4	
	404 391		NUT - (AN320-1)	4	
	424 041		COTTER PIN - (MS24665-5)	4	
-36	400 056		BOLT - (AN3-11)	1	
	407 564		WASHER - (AN960-10)	1	
	404 100		NUT - (AN310-3)	1	
	424 051		COTTER PIN - (MS24665-132)	1	
-37	67984-02		CLIP ASSEMBLY - Map	1	28-7890001 and up
-38	487 904		SWITCH - Boom mike (39-1)	1	28-7890001 and up
-39	37729-02	B	BRACKET ASSEMBLY - Switch	1	28-7890001 and up
-40	35669-16		PLACARD - A/P INTR.	1	28-7890001 and up
-41	35669-17		PLACARD - Mike	1	28-7890001 and up
-42	554 979		CLIP - Turnbuckle (MS21256-1)	2	
-43	487 904		SWITCH - Remote transponder identifier (39-1)	1	28-8190001 and up
-44	35669-188		PLACARD - Transponder identifier	1	28-8190001 and up
-45	548 561		CLOCK - Control wheel (AT4210 P0)	1	28-8190001 and up
-46	465 258		FUSEHOLDER - (155020)	1	28-8190001 and up
-47	461 629		FUSE - (311005)	1	28-8190001 and up
-48	67493-03	A	PLATE - Control wheel cover, right	1	
-49	85292-07		WHEEL ASSEMBLY - Control, pilot (with mic switch)	1	2890206 and up
	85292-09		WHEEL ASSEMBLY - Control, copilot (with mic switch)	1	2890206 and up
-50	85189-02		* COVER ASSEMBLY - Control wheel	1	2890206 and up
-51	688 289		* SWITCH - Microphone	1	2890206 and up

When ordering, always specify Part Number, Description, and Serial Number of Aircraft

Reissued: September 15, 1994

1K22

Island Enterprises

PIPER AIRCRAFT
PA-28-181
AIRPLANE PARTS CATALOG

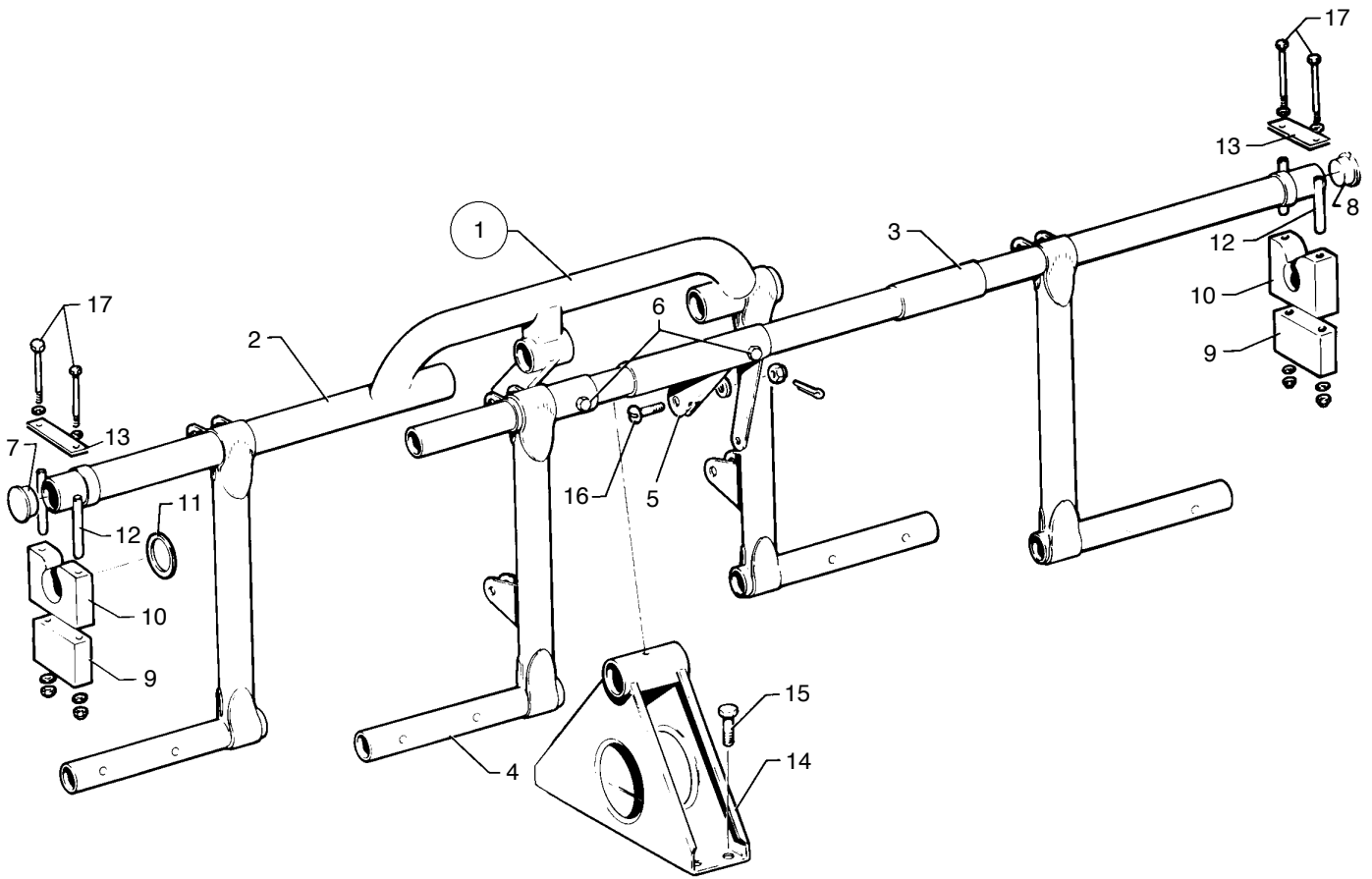


Figure 53. Rudder Pedal Installation

Reissued: September 15, 1994

1K23

Island Enterprises

**PIPER AIRCRAFT
PA-28-181
AIRPLANE PARTS CATALOG**

CODE EXPLANATIONS FOR FIGURE 53

Reissued: September 15, 1994

1K24

Island Enterprises

**PIPER AIRCRAFT
PA-28-181
AIRPLANE PARTS CATALOG**

Figure and Index Number	Part Number	Code	Nomenclature	No. Req.	Serial Numbers Affected
53-	35135		DRAWING - Control System Installation		
-1	63459-19		RUDDER PEDAL ASSEMBLY - Complete	1	
-2	63420-08		* PEDAL AND BAR ASSEMBLY	1	
-3	63419-00		* PEDAL AND BAR ASSEMBLY	1	
-4	63458-05		* PEDAL AND BAR ASSEMBLY	1	
-5	66661-00		* ARM ASSEMBLY - Connector	1	
-6	402 314		* BOLT - (AN174-13A)	2	
	407 585		* WASHER - (AN960-416)	2	
	404 836		* NUT - (MS20364-428C)	2	
-7	581 330		* PLUG - Rudder pedal assembly (WW-9)	1	
-8	581 332		* PLUG - Rudder pedal assembly (WW-7)	1	
-9	63456-00		BLOCK - Rudder bar support, bottom	2	
-10	65050-00		BLOCK - Rudder bar support, top	2	
-11	62833-17		WASHER - Rudder bar support	2	
-12	65003-03		BUSHING - Rudder bar support	4	
-13	63455-00		PLATE - Rudder bar support	6	
-14	63451-00		SUPPORT ASSEMBLY - Rudder bar	1	
-15	400 438		BOLT - (AN3-4A)	4	
-16	400 672		BOLT - (AN23-10)	2	
	407 564		WASHER - (AN960-10)	2	
	404 392		NUT - (AN320-3)	2	
	424 051		COTTER PIN - (MS24665-132)	2	
-17	400 456		BOLT - (AN3-31A)	4	
	404 887		NUT - (MS20365-1032C)	4	

When ordering, always specify Part Number, Description, and Serial Number of Aircraft

Reissued: September 15, 1994

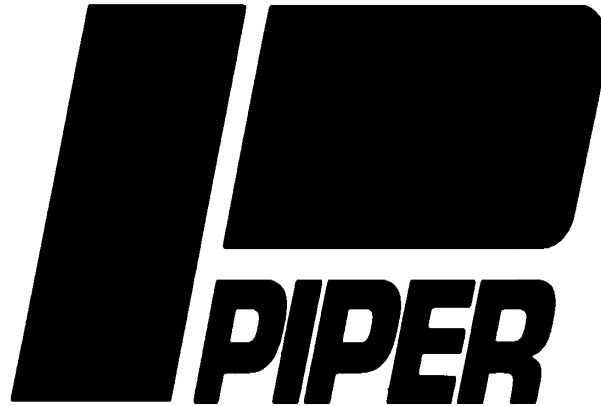
**PIPER AIRCRAFT
PA-28-181
AIRPLANE PARTS CATALOG**

**PAGES 1L2 THRU 1L24
INTENTIONALLY LEFT BLANK**

Reissued: September 15, 1994

1L2

Island Enterprises



ARCHER

AIRPLANE PARTS CATALOG

CARD 2 OF 2

PA-28-181 ARCHER II

PA-28-181 ARCHER III

PIPER AIRCRAFT CORPORATION

[PART NUMBER 761 678]

2A1

REISSUED: SEPTEMBER 15, 1994

**PIPER AIRCRAFT
PA-28-181
AIRPLANE PARTS CATALOG**

Published by
Technical Publications

Piper Aircraft Corporation
2926 Piper Drive
Vero Beach, Florida 32960
U.S.A.



Member of GAMA
General Aviation
Manufacturers Association

Reissued: September 15, 1994

2A2

Island Enterprises

**PIPER AIRCRAFT
PA-28-181
AIRPLANE PARTS CATALOG**

AEROFICHE EXPLANATION AND REVISION STATUS

The Parts Catalog information in this set of Aerofiche cards is arranged in accordance with general specifications of Aerofiche adopted by the General Aviation Manufacturer's Association.

Conversion of Aerofiche alpha/numeric code numbers:

First number is the Aerofiche card identifier.

Letter is the horizontal line reference per card.

Second number is the vertical line reference per card.

Example: 2J16 = Aerofiche card number two of given set, Grid location J16.

REVISIONS

The information compiled in this Aerofiche Parts Catalog is kept current by revisions distributed periodically. Each revision is a complete Aerofiche card replacement and supersedes Aerofiche cards of the same number in the set.

Revisions to this PA-28-181 Parts Catalog (761 678) issued September 4, 1978 are as follows:

Effectivity

CR940915

Publication Date

September 15, 1994

**Aerofiche
Card Effectivity**

1 and 2

Reissued: September 15, 1994

**PIPER AIRCRAFT
PA-28-181
AIRPLANE PARTS CATALOG**

INTRODUCTION

This illustrated Parts Catalog provides simple, positive identification of replacement parts for the Piper Model PA-28-181 manufactured by the Piper Aircraft Corporation of Vero Beach, Florida.

NOTE: DO NOT USE THIS CATALOG FOR RIGGING AND INSTALLATION PURPOSES.

1. The catalog is divided into thirteen major sections as follows:
 - a. Section I to XII inclusive contains all replacement parts for the complete airplane. Each section is subdivided and each division includes an illustration and a parts listing.
 - b. Section XIII is the Miscellaneous Group. This group includes an illustration and parts list for the Placards and Exterior Stencils, a listing of the Optional Equipment Kits, Repair kits and Special Tools, and a listing of Miscellaneous Hardware and Consumables.

2. The following is a brief explanation of the columns in the parts lists: (Refer to EXAMPLE below).
 - a. The FIGURE AND INDEX NUMBER column indicates the illustration figure number and its part index number. EXAMPLE: (2-1), the 2 is the figure number and the 1 is the index number. The figure number appears only at the top of each parts list page.
 - b. The PART NUMBER column contains the identifying number of the replacement part and this number must be shown on all parts orders.
 - c. The CODE column is for the purpose of indicating special uses of the part. An explanation of the letter code used is shown on the grid (page) preceding each parts listing and pertains to that listing only.
 - d. The NOMENCLATURE column indicates the part name. This name must be shown on all parts orders.
 - e. The NO. REQ. (Number Required) column represents the total quantity of parts used per figure when the part is not indented and the quantity of parts used per assembly when the part is indented. The symbol AR listed in this column means As Required.
 - f. The SERIAL NUMBERS AFFECTED column indicates the part application by airplane serial number. Unless otherwise noted, serial numbers listed with the model year and up (ex. 28-7690001 and up) are intended to include the new style of serial numbers that do not reference the model year (ex. 2890001 and up).

EXAMPLE

Figure and Index Number	Part Number	Code	NOMENCLATURE	No. Req.	SERIAL NUMBERS AFFECTED
2-1	XXXXX-XX		DOOR ASSEMBLY - Baggage compartment	X	
-2	XXXXX-XX		* TUBE ASSEMBLY - Baggage door latch	X	
-3	XXXXX-XX		* * CLEVIS - Door latch tube assembly	X	
-4	XXXXX-XX		* * CLIP - Door latch tube assembly	X	

In the nomenclature column, the next higher assembly relationship of items covered is shown by the degree of indentation of each item and is indicated by an asterisk (*). One asterisk signifies one indentation, two signifies two indentions, etc. The example listing above is interpreted as follows:

If the DOOR ASSEMBLY (not indented) is ordered, it will include the three items indented under the DOOR ASSEMBLY.

If the TUBE ASSEMBLY (indented one space) is ordered, it will include the two items indented under the TUBE ASSEMBLY.

If you want only a CLEVIS or CLIP, you order only that item.

PIPER AIRCRAFT PA-28-181 AIRPLANE PARTS CATALOG

3. Piper Aircraft will supply all attaching parts to its customers in any quantity. When purchasing the attaching parts such as nuts, bolts, washers, cotter pins, etc. from Piper Aircraft, the customer or service center need only order the part(s) needed.
4. All items of Optional Equipment are contained in the parts list in their proper sequence and sections. These items were not marked optional, since they are fully identified by their descriptions.

HOW TO IDENTIFY A PART IF YOU KNOW WHAT IT LOOKS LIKE AND KNOW WHERE IT IS LOCATED

1. Refer to Figure 1 to determine the section number in which the part is used.
2. Refer to the Table of Contents and locate the section. Note the figure numbers that illustrate the various subgroups of this main section. Select the figure title you think might contain the part you wish to identify and proceed to the grid (page) specified. If you don't find the part on this illustration, try another figure in this group.
3. Refer to Figure and Index Number in the parts listing for description of the part.

HOW TO ORDER PARTS

When ordering parts for your Piper airplanes, please observe the following instructions:

1. Place your order with your local distributor or service center.
2. Specify the model and serial number of your airplane.
3. Specify Part Number, Name, Type and Quantity Required.
4. Specify the method of shipment — freight, express, parcel post, air express, air freight or air parcel post. Where the nature of the shipment requires it or when no instructions are given, we reserve the right to ship the most suitable way.
5. Request price and delivery information prior to order placement.

GENERAL INFORMATION

1. Shortages
All orders are checked before leaving our Shipping Department. A packing slip is enclosed with the shipment. Claims for errors or shortages must be made within three days after receipt of orders.
2. Returned Goods
No material should be returned without first securing written permission. Material sent in without notice will be held at the owner's risk for thirty days and will then be disposed of as we see fit.

Transportation charges must be prepaid on returned goods or the shipment will be refused.
3. Transportation Liabilities
The Piper Aircraft Corporation cannot be held liable for damages to parts in transit from the factory. If a shipment is received in a damaged condition, have the delivery man or transportation company make a notation of the damage and file your claim with the carrier. In case of concealed damage, do not attempt to remove the part from the shipping container, or try to repair the damage, call the carrier and have their claim agent inspect the damage before filing your claim with the carrier.

Reissued: September 15, 1994

PIPER AIRCRAFT PA-28-181 AIRPLANE PARTS CATALOG

MODEL SERIAL NUMBER INFORMATION

The serial numbers of the aircraft covered by this Parts Catalog are as follows:

Serial Numbers of the 1976 PA-28-181 ARCHER II Models are 28-7690001 thru 28-7690467.
Serial Numbers of the 1977 PA-28-181 ARCHER II Models are 28-7790001 thru 28-7790607.
Serial Numbers of the 1978 PA-28-181 ARCHER II Models are 28-7890001 thru 28-7890551.
Serial Numbers of the 1979 PA-28-181 ARCHER II Models are 28-7990001 thru 28-7990589.
Serial Numbers of the 1980 PA-28-181 ARCHER II Models are 28-8090001 thru 28-8090372.
Serial Numbers of the 1981 PA-28-181 ARCHER II Models are 28-8190001 thru 28-8190318.
Serial Numbers of the 1982 PA-28-181 ARCHER II Models are 28-8290001 thru 28-8290178.
Serial Numbers of the 1983 PA-28-181 ARCHER II Models are 28-8390001 thru 28-8390090.
Serial Numbers of the 1984 PA-28-181 ARCHER II Models are 28-8490001 thru 28-8490112.
Serial Numbers of the 1985 PA-28-181 ARCHER II Models are 28-8590001 thru 28-8590092.
Serial Numbers of the 1986 PA-28-181 ARCHER II Models are 28-8690001 thru 28-8690008,
28-8690010 thru 28-8690011,
28-8690014 thru 28-8690017,
28-8690019 thru 28-8690056,
2890001 thru 2890008,
2890010 thru 2890021,
2890023 thru 2890025.
Serial Numbers of the 1987 PA-28-181 ARCHER II Models are 28-8690009, 28-8690012, 28-8690013,
28-8690018, 2890009, 2890022,
2890026 thru 2890048.
Serial Numbers of the 1988 PA-28-181 ARCHER II Models are 2890049 thru 2890099.
Serial Numbers of the 1989 PA-28-181 ARCHER II Models are 2890100 thru 2890136,
2890140 thru 2890145,
2890147, 2890149 thru 2890153.
Serial Numbers of the 1990 PA-28-181 ARCHER II Models are 2890137 thru 2890139, 2890146,
2890148, 2890154, 2890168 thru 2890169.
Serial Numbers of the 1992 PA-28-181 ARCHER II Models are 2890155 thru 2890167,
2890170.
Serial Numbers of the 1993 PA-28-181 ARCHER II Models are 2890171 thru 2890195.
Serial Numbers of the 1994 PA-28-181 ARCHER II Models are 2890196 thru 2890205.
Serial Numbers of the 1994 PA-28-181 ARCHER III Models are 2890206 and up.

SERIAL NUMBER EXPLANATION

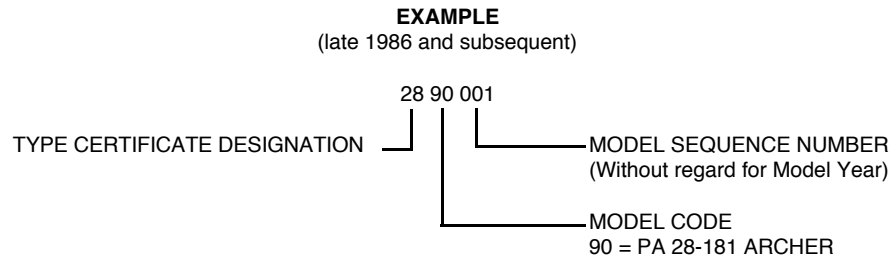
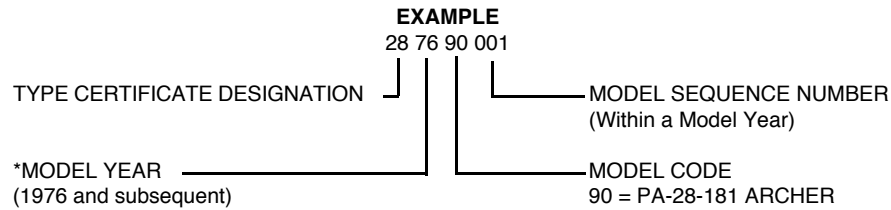
(SEE NEXT PAGE FOR SERIAL NUMBER EXPLANATION)

PIPER AIRCRAFT PA-28-181 AIRPLANE PARTS CATALOG

SERIAL NUMBER EXPLANATION

The Serial Number on the Manufacturer's Identification Plate is based on either a 3- or 4-set numbering system. In the 4-set system, the first set defines the Type Certificate Designation, the second set is the Model Year, the third set is the Model Code, while the fourth set is the Model Sequence Number (within a model year).

The 3-set system omits the model year* and begins a new sequence with 2890001. This new sequence continues without renumbering for a new year.



PIPER AIRCRAFT PA-28-181 AIRPLANE PARTS CATALOG

STANDARD PAINT CHART

	MFG. NO.	PIPER PART NUMBER	
EXTERIOR		QUART	GALLON
POLYURETHANE ENAMEL (Dupont Imron)			
Baja Yellow	H7850U	4175 461	1175 461
Juneau White	H7848U	4175 462	1175 462
Ocala Orange	H7857UM	4175 463	1175 463
Madrid Red	H7851UM	4175 464	1175 464
Bahama Blue	H7853U	4175 465	1175 465
Alvocado	H7852U	4175 466	1175 466
Las Vegas Gold	5242U	4176 121	1176 121
Dakota Black	99U	4175 467	1175 467
Denver Brown	H7859U	4176 122	1176 122
Matador Red	H7858U	4175 468	1175 468
Royal Blue	H7856U	4175 469	1175 469
Hickory Brown	H7855U	4175 470	1175 470
Silver	4531U	4176 123	1176 123
Lime Green	H7854U	4175 460	1175 460
Sage Green	K7887U	4176 132	1175 460
Firethorn	K7888UW	4176 133	1176 133
Buckskin	K7890U	4176 135	1176 135
Dark Blue	K7891U	4176 136	1176 136
Platinum Gray	N7819U	4176 126	1176 126
Sandalwood Tan	N7818U	4176 127	1176 127
Dark Claret	K7886U	4176 131	1176 131
Burnished Gold	N8068U	4763 528	1763 528
Light Blue	K8149U	4763 529	1763 529
Dark Saddle	N8070U	4763 530	1763 530
Dark Green	N8071U	4763 531	1763 531
Saffron	K7889UH	4763 532	1763 532
Light Sandalwood	W8275	4763 533	1763 533
Light Platinum	W8274	4763 534	1763 534
Catalyst (Activator)	912S	4179 950	1179 950
Reducer	Y8485S	4179 145	1179 145
Retarder	8100S	4179 599	1179 599
Accelerator	189S	4179 951	
POLYURETHANE PRIMER (Dupont Imron)			
Wash Primer	B9287	4170 766	1179 766
Wash Primer Thinner	K1733	4179 452	1179 452
Acid Thinner	B9289	4179 403	1179 403
INTERIOR			
INSTRUMENT PANEL			
Cadet Dark Grey			170 902
Grey II (Flat Tan)	D127		170 907

**PIPER AIRCRAFT
PA-28-181
AIRPLANE PARTS CATALOG**

TABLE OF CONTENTS

FIGURE NUMBER	FIGURE TITLE	GRID NUMBER
1	View of Complete Airplane.....	1A13, 2A13
SECTION I WING GROUP		
2	Wing Installation.....	1A15
3	Wing Leading Edge Assembly.....	1A20
4	Wing Trailing Edge Assembly.....	1A24
5	Aileron Assembly.....	1B4
6	Flap Assembly.....	1B7
SECTION II FUSELAGE GROUP		
7	Fuselage Assembly Complete.....	1B11
8	Fuselage Upper Forward Cockpit Assembly.....	1B14
9	Fuselage Upper Center Cockpit Assembly.....	1B18
10	Fuselage Lower Forward Cockpit Assembly.....	1B23
11	Fuselage Lower Aft Cockpit Assembly.....	1C4
12	Fuselage Aft Section.....	1C7
13	Fuselage Cabin and Baggage Door Installation (28-7690001 only).....	1C11
14	Fuselage Cabin and Baggage Door Installation (28-7690002 and up).....	1C16
15	Fuselage Enclosure Installation.....	1C21
SECTION III TAIL SURFACES GROUP		
16	Tail Surfaces Installation.....	1D3
17	Stabilator Assembly.....	1D7
18	Fin Assembly	1D10
19	Rudder Assembly.....	1D13
SECTION IV LANDING GEAR GROUP		
20	Nose Gear Installation	1D17
21	Nose Gear Strut Assembly.....	1D21
22	Nose Wheel Assembly (Cleveland)	1D24
23	Nose Wheel Assembly (McCauley).....	1E3
24	Main Gear Installation.....	1E6
25	Main Wheel Assembly	1E10
26	Brake Assembly.....	1E13
27	Main and Nose Wheel Fairing Installation (28-7690001 to 28-7790607 incl.).....	1E16
28	Main and Nose Wheel Fairing Installation (28-7890001 and up).....	1E19
29	Main Landing Gear Strut Fairing Installation.....	1E23
30	Hand Brake Installation.....	1F3
31	Toe Brake Installation.....	1F6
32	Toe Brake Master Cylinder Assembly.....	1F9

**PIPER AIRCRAFT
PA-28-181
AIRPLANE PARTS CATALOG**

TABLE OF CONTENTS

FIGURE NUMBER	FIGURE TITLE	GRID NUMBER
SECTION V CABIN EQUIPMENT GROUP		
33	Cockpit Finishing Installation.....	1F13
33A	Window Curtains Installation (28-8090001 and up).....	1F21
33B	Interior Panels (2890206 and up).....	1F24
34	Carpet Installation.....	1G4
35	Seats Installation.....	1G10
36	Vertically Adjustable Front Seat Assembly.....	1G15
36A	Vertically Adjustable Front Seat Assembly (2890206 and up).....	1G20
36B	Lumbar Installation - Crew Seats (Optional).....	1G24
SECTION VI INSTRUMENTS GROUP		
37	Instrument Panel Installation (28-7690001 thru 28-8690056, and 2890001 thru 2890205).....	1H5
37A	Instrument Panel Installation (2890206 and up).....	1H10
38	Vacuum System Installation (28-7690001 thru 28-8690056, and 2890001 thru 2890205).....	1H13
38A	Vacuum System Installation (2890206 and up).....	1H16
38B	Auxiliary Vacuum System Installation.....	1H19
39	Pitot Static System Installation.....	1H23
SECTION VII POWER PLANT GROUP		
40	Power Plant Installation (28-7690001 thru 28-8690056, and 2890001 thru 2890205).....	1I3
40A	Power Plant Installation (2890206 and up).....	1I7
41	Engine Exhaust System Installation (28-7690001 thru 28-8690056, and 2890001 thru 2890205)....	1I11
41A	Engine Exhaust System Installation (2890206 and up).....	1I14
42	Engine Baffle Installation (28-7690001 thru 28-8690056, and 2890001 thru 2890205).....	1I17
42A	Engine Baffle Installation (2890206 and up).....	1I20
43	Engine Cowl Installation (28-7690001 thru 28-8690056, and 2890001 thru 2890205).....	1I23
43A	Engine Cowl Installation (2890206 and up).....	1J2
44	Engine Controls Installation.....	1J5
SECTION VIII FUEL SYSTEM GROUP		
45	Fuel System Installation (28-7690001 to 28-7990626 incl.).....	1J11
45A	Forward Fuel System Installation (28-8090001 and up).....	1J15
46	Aft Fuel System Installation (28-8090001 and up).....	1J19
47	Fuel Tank Assembly.....	1J22
SECTION IX CONTROL SYSTEM GROUP		
48	Control System Installation.....	1K3
49	Flap Control Installation.....	1K8
50	Stabilator Trim Installation.....	1K12
51	Rudder Trim Mechanism Installation.....	1K16
52	Control Wheel Installation.....	1K19
53	Rudder Pedal Installation.....	1K23

**PIPER AIRCRAFT
PA-28-181
AIRPLANE PARTS CATALOG**

TABLE OF CONTENTS

FIGURE NUMBER	FIGURE TITLE	GRID NUMBER
SECTION X ENVIRONMENTAL GROUP		
54	Cabin Heat and Defroster Installation.....	2A15
55	Fresh Air Ventilation Installation.....	2A19
56	Air Conditioning Compressor, Refrigerant Lines, and Alternator Installation (14 volt system, R-12 refrigerant)	2B1
56A	Air Conditioning Compressor, Refrigerant Lines, and Alternator Installation (28 volt system, HFC-134a refrigerant).....	2B5
57	Air Conditioning Duct and Evaporator Installation (14 volt system, R-12 refrigerant).....	2B9
57A	Air Conditioning Duct and Evaporator Installation (28 volt system, HFC-134a refrigerant).....	2B12
58	Air Conditioning Condenser Installation (14 volt system, R-12 refrigerant).....	2B15
58A	Air Conditioning Condenser Installation (28 volt system, HFC-134a refrigerant).....	2B19
SECTION XI ELECTRICAL SYSTEM GROUP		
59	Electrical System Installation.....	2C1
60	Instrument Panel Electrical Installation (28-7690001 thru 28-8690056, and 2890001 thru 2890205).....	2C6
60A	Instrument Panel Electrical Installation (2890206 and up).....	2C10
60B	Overhead Switch Panel (2890206 and up).....	2C13
61	Air Conditioning Electrical Installation.....	2C16
62	Battery Installation (28-7690001 thru 28-8690056, and 2890001 thru 2890205).....	2C21
62A	Battery Installation (2890206 and up).....	2C24
63	External Power Supply Installation (28-7690001 thru 28-8690056, and 2890001 thru 2890205).....	2D3
63A	Auxiliary Power Receptacle Installation (2890206 and up).....	2D6
64	Alternator Assembly and Installation (Chrysler).....	2D9
65	Alternator Assembly (Prestolite).....	2D13
66	Strobe Lights Installation.....	2D16
SECTION XII ELECTRONICS GROUP		
67	Electric Trim Installation.....	2D21
68	AutoFlite II Installation.....	2D24
69	AutoControl IIIB Installation (28-7690001 to 28-8290188 incl.).....	2E3
69A	Century 21 AutoPilot Installation (28-8190019 and up).....	2E8
69B	King KAP 100/150 AutoPilot Installation (28-8390001 and up).....	2E11
70	Piper Automatic Locator (ELT) Installation (Garret Mfg. Ltd.).....	2E14
71	Piper Automatic Locator (ELT) Installation (Communications Components Corp.).....	2E17
71A	Piper Automatic Locator (ELT 10) Installation (Narco Avionics).....	2E20
71B	Piper Automatic Locator (ELT 910) Installation (Narco Avionics)	2E23
72	Encoder Installation (Narco - AR 500 and United - 5125-P3) (28-7790001 and up)	2F2
73	Radio, Antenna System, and Static Wicks Installation	2F5
74	Audio Selector Assembly.....	2F11
75	Avionics Cooling Installation.....	2F14
	Avionics Installation Drawings.....	2F17

Reissued: September 15, 1994

**PIPER AIRCRAFT
PA-28-181
AIRPLANE PARTS CATALOG**

TABLE OF CONTENTS

FIGURE NUMBER	FIGURE TITLE	GRID NUMBER
SECTION XIII MISCELLANEOUS GROUP		
76	Placards and Exterior Stencils.....	2F21
	Optional Equipment Kits and Repair Kits.....	2G3
	Miscellaneous Hardware and Consumables.....	2G6
NUMERICAL INDEX		
	All Part Numbers.....	2G9

**PIPER AIRCRAFT
PA-28-181
AIRPLANE PARTS CATALOG**

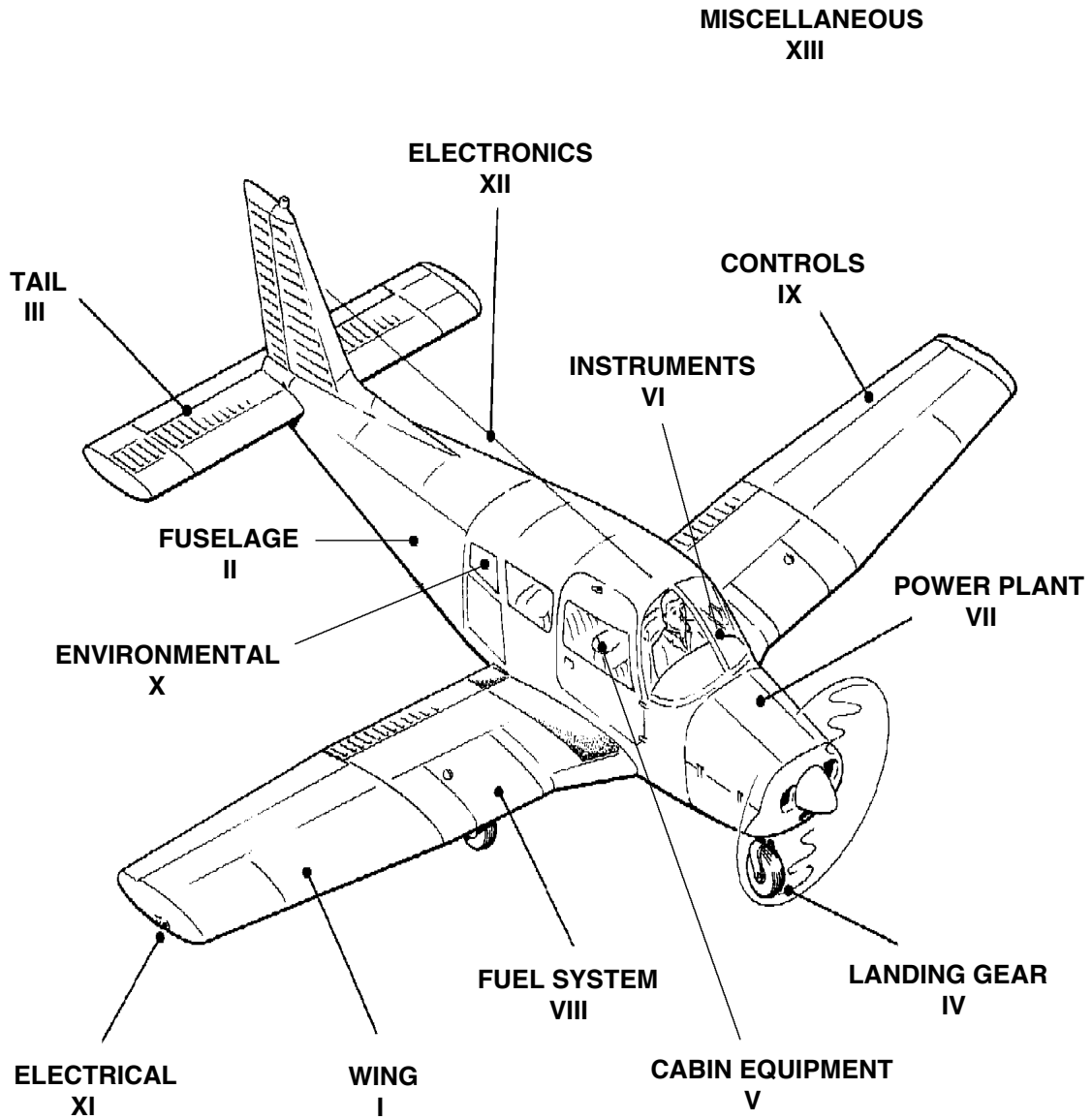
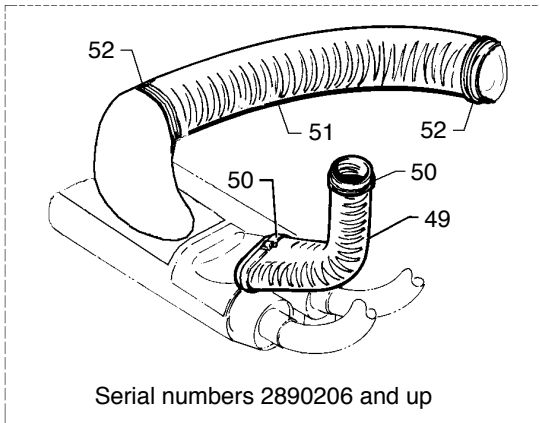
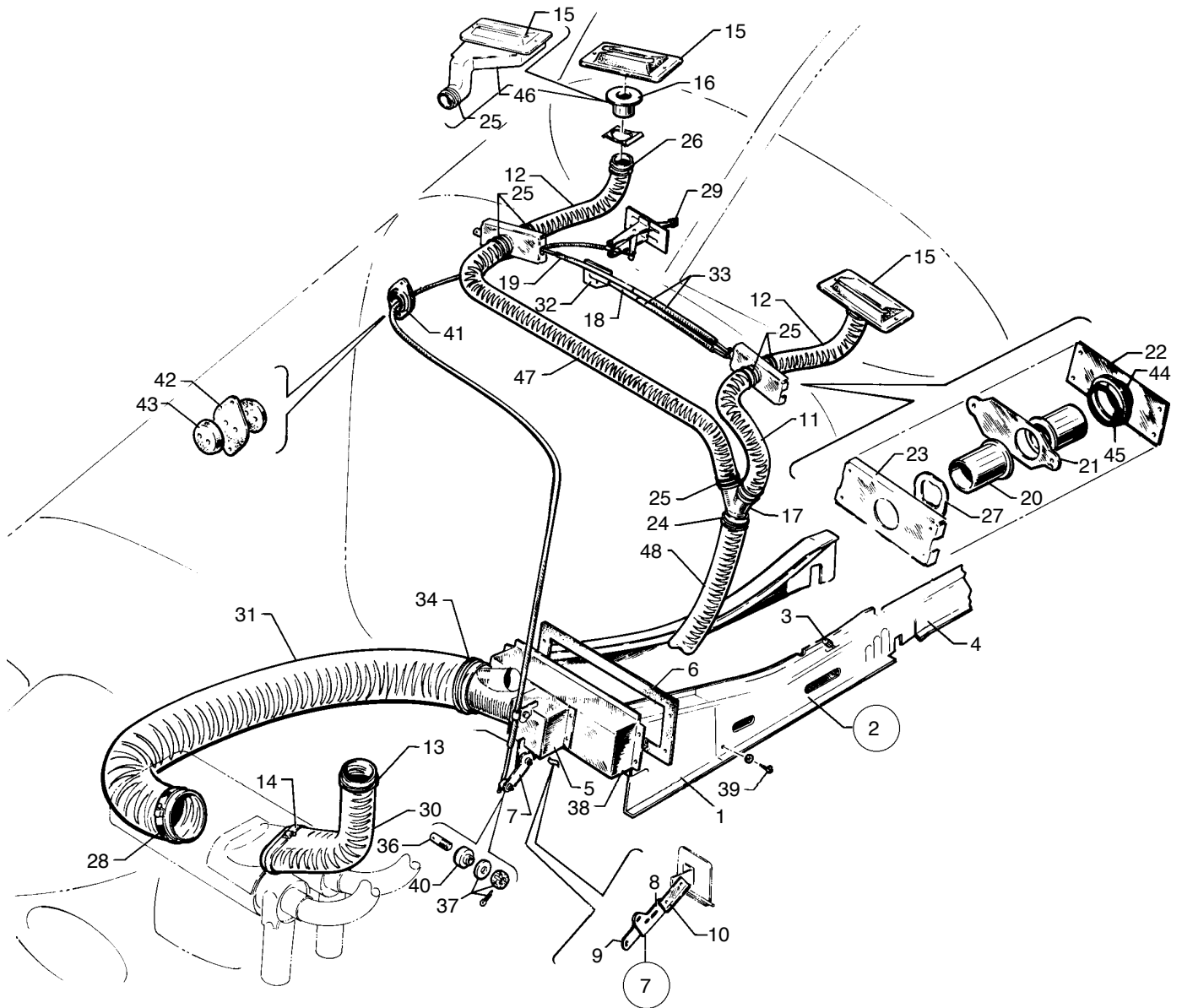


Figure 1. Complete Airplane

**PIPER AIRCRAFT
PA-28-181
AIRPLANE PARTS CATALOG**

THIS PAGE INTENTIONALLY LEFT BLANK

**PIPER AIRCRAFT
PA-28-181
AIRPLANE PARTS CATALOG**



Serial numbers 2890206 and up

Figure 54. Cabin Heat and Defroster Installation

Reissued: September 15, 1994

**PIPER AIRCRAFT
PA-28-181
AIRPLANE PARTS CATALOG**

CODE EXPLANATIONS FOR FIGURE 54

A - When ordering, specify color.

Reissued: September 15, 1994

2A16

Island Enterprises

**PIPER AIRCRAFT
PA-28-181
AIRPLANE PARTS CATALOG**

Figure and Index Number	Part Number	Code	Nomenclature	No. Req.	Serial Numbers Affected
54-	99023		DRAWING - Cabin Heat Installation		
	99024		DRAWING - Defroster System Installation		
	85472		DRAWING - Power Plant Installation		2890206 and up
-1	76219-00		DUCT ASSEMBLY - Cabin heat, front, left	1	
	76219-01		DUCT ASSEMBLY - Cabin heat, front, right	1	
-2	36511-02	A	DUCT ASSEMBLY - Cabin heat, center, left	1	
	36511-03	A	DUCT ASSEMBLY - Cabin heat, center, right	1	
-3	66980-00		* KNOB - Heat duct	1	
-4	76129-06		DUCT - Cabin heat, rear, left	1	
	76129-07		DUCT - Cabin heat, rear, right	1	
-5	65545-00		BOX ASSEMBLY - Cabin heat	1	
-6	62969-00		GASKET - Distributor box	1	
-7	36558-07		LINK ASSEMBLY - Cabin heat box	1	28-7690001 to 28-7990478 incl.
-8	36558-02		LINK - Cabin heat box	1	28-7990479 and up
-9	36558-04		LINK - Cabin heat box	1	28-7990479 and up
-10	62178-00		LINK - Cabin heat box	1	
-11	63633-15		HOSE - Defroster	1	
-12	63633-56		HOSE - Defroster	2	28-7690001 to 28-7690089 incl.
-13	554 882		CLAMP - Hose (SAE TY A-2 9/16)	1	
-14	554 882		CLAMP - Hose (SAE TY A-2 9/16)	1	
-15	65318-00		OUTLET - Defroster air	2	
-16	69278-00		OUTLET ASSEMBLY - Defroster air	2	28-7690001 to 28-7690089 incl.
-17	69229-00		TAKEOFF ASSEMBLY - Defroster air	1	
-18	554 143		CABLE ASSEMBLY - Defroster control (PS50146-6-2)	1	
-19	554 144		CABLE ASSEMBLY - Defroster valve (PS50146-6-1)	1	
-20	69279-00		TUBE - Defroster valve	4	
-21	67705-00		GATE - Defroster valve	2	
-22	69274-00		PLATE - Defroster valve	2	
-23	69273-00		HOUSING - Defroster valve	2	
-24	554 896		CLAMP - Hose (SAE TY A-1 1/2)	1	
-25	454 985		CLAMP - Hose (SAE TY A-1)	6	
-26	454 985		CLAMP - Hose (SAE TY A-1)	2	28-7690001 to 28-7690089 incl.
-27	494 123		WASHER - Spring (35)	4	
-28	554 772		CLAMP - Hose (SAE TY A-3)	1	
-29	66980-00		KNOB - Cabin heat and defroster	1	
-30	63633-89		HOSE - Air inlet	1	
-31	63633-38		HOSE - Cabin heat	1	
-32	69275-00		CLAMP - Defroster cable	1	
-33	63882-31		SLEEVE - Defroster cable	2	
-34	454 993		CLAMP - Hose (H-3-1160)	1	
-35	554 142		CABLE ASSEMBLY - Cabin heat control, complete (PS50146-4-3)	1	
-36	70371-03		STUD - Swivel fitting	1	
-37	404 100		NUT - (AN310-3)	1	
	407 564		WASHER - (AN960-10)	1	
	424 051		PIN - Cotter (MS24665-132)	1	
-38	62962-00		BOX ASSEMBLY - Distributor, cabin heat	1	
-39	419 683		SCREW - Heat duct (4 x 1/2 L., Oval Hd.)	38	
	494 001		WASHER - Heat duct (4)	38	
-40	70371-02		FITTING - Swivel	2	
-41	66789-00		PLATE - Firewall seal	2	
-42	22105-03		GASKET - Firewall seal	1	
-43	68770-14		GROMMET - Firewall seal	2	

When ordering, always specify Part Number, Description, and Serial Number of Aircraft

Reissued: September 15, 1994

**PIPER AIRCRAFT
PA-28-181
AIRPLANE PARTS CATALOG**

Figure and Index Number	Part Number	Code	Nomenclature	No. Req.	Serial Numbers Affected
54-44	62833-104		WASHER	2	
-45	484 841		O-RING - (NAS1593-213)	2	
-46	79615-02		DUCT ASSEMBLY - Defroster, left	1	28-7690090 and up
	79615-03		DUCT ASSEMBLY - Defroster, right	1	28-7690090 and up
-47	63633-60		HOSE - Defroster	1	
-48	63633-59		HOSE - Defroster	1	
-49	63633-207		HOSE - Air inlet	1	2890206 and up
-50	554 752		CLAMP - Hose (SAE TY A-2 1/2)	2	2890206 and up
-51	63633-208		HOSE - Cabin heat	1	2890206 and up
-52	554 772		CLAMP - Hose (SAE TY A-3)	2	2890206 and up

When ordering, always specify Part Number, Description, and Serial Number of Aircraft

Reissued: September 15, 1994

2A18

Island Enterprises

**PIPER AIRCRAFT
PA-28-181
AIRPLANE PARTS CATALOG**

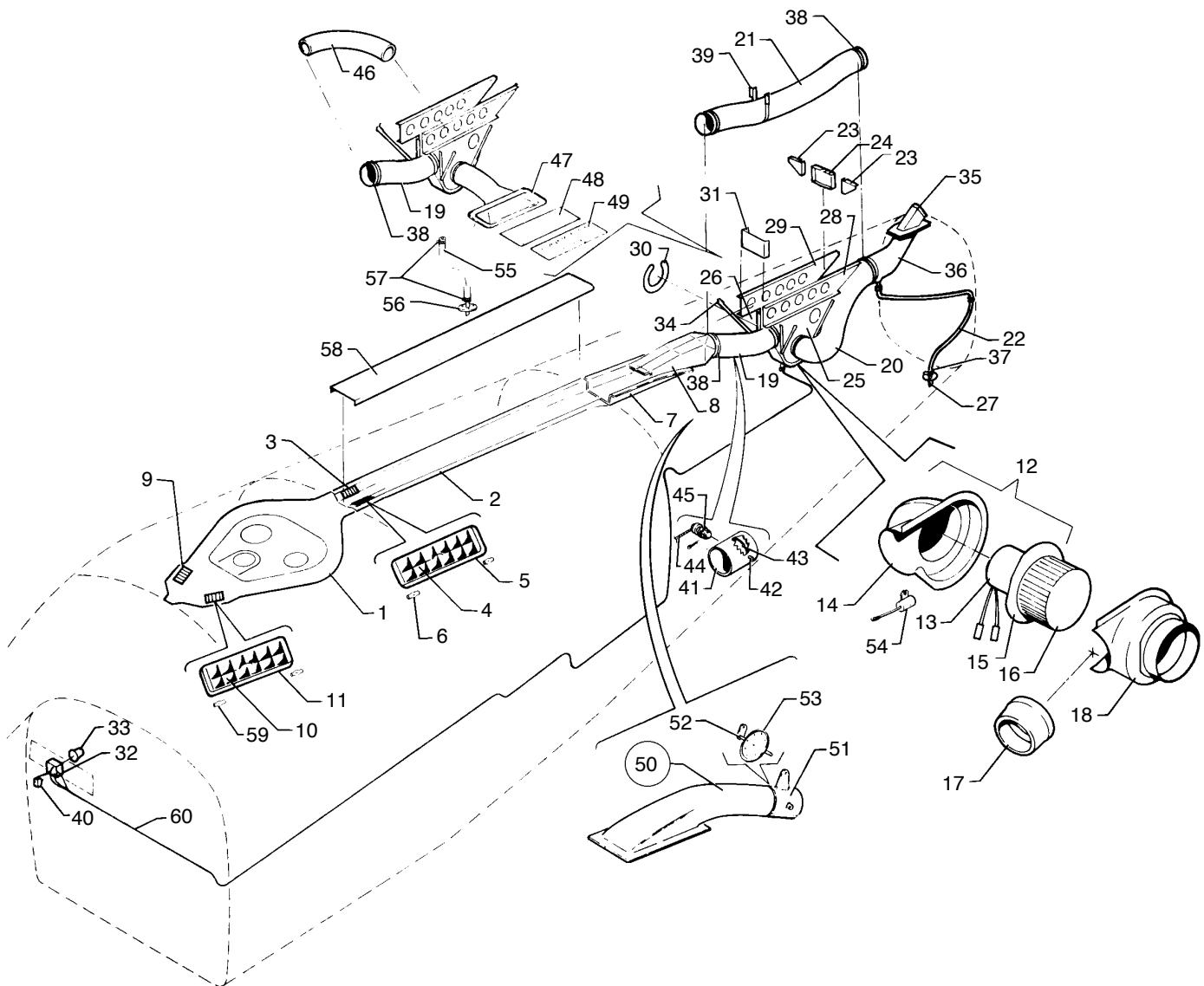
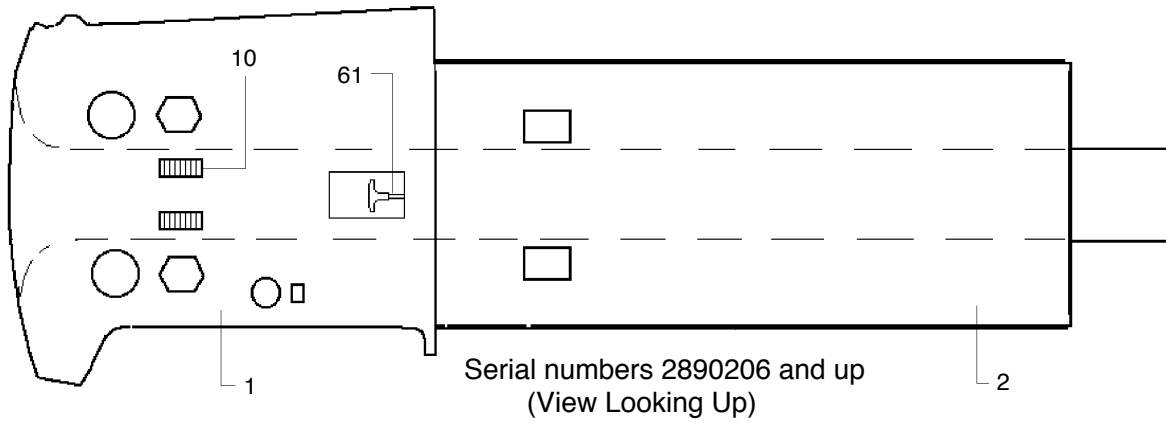


Figure 55. Fresh Air Ventilation Installation

Reissued: September 15, 1994

**PIPER AIRCRAFT
PA-28-181
AIRPLANE PARTS CATALOG**

CODE EXPLANATIONS FOR FIGURE 55

- A - Also used on serial numbers 28-7690001 to 28-7790560 inclusive, if Blower Assembly Kit 761 150 has previously been installed.
- B - Order part for serial numbers 28-7890162 and up, if the four position fan switch has been replaced with the three position fan switch.
- C - Used with the four position fan switch only.
- D - Used if air conditioning is installed.

**PIPER AIRCRAFT
PA-28-181
AIRPLANE PARTS CATALOG**

Figure and Index Number	Part Number	Code	Nomenclature	No. Req.	Serial Numbers Affected
55-	76304		DRAWING - Fresh Air Ventilation System Installation		28-7690001 to 28-7990626 incl.
	79853		DRAWING - Fresh Air Ventilation System Installation		28-8090001 and up
	79273		DRAWING - Blower Ventilation Installation		28-7690001 to 28-7990626 incl.
	79278		DRAWING - Ram Air Ventilation Installation		28-7690001 to 28-7990626 incl.
	36983		DRAWING - Ram Air and Blower Ventilation Installation		28-8090001 and up
	89402		DRAWING - Fresh Air Cable Installation		2890206 and up
-1	79187-00		PANEL ASSEMBLY - Ventilation	1	28-7690001 to 28-7690479 incl.
	76496-13		PANEL ASSEMBLY - Ventilation (less speaker hole)	1	
	76496-12		PANEL ASSEMBLY - Ventilation (with speaker hole)	1	
	84277-02		PANEL ASSEMBLY - Overhead	1	2890206 and up
	84277-23	D	PANEL ASSEMBLY - Overhead	1	2890206 and up
-2	76307-04		DUCT ASSEMBLY - Center ventilation	1	28-7690001 to 28-7690479 incl.
	76307-07		DUCT ASSEMBLY - Center ventilation	1	28-7790001 to 28-8090066 incl.
	79855-02		DUCT ASSEMBLY - Center ventilation	1	28-8090067 and up
	84277-26		PANEL ASSEMBLY - Overhead	1	2890206 and up
	84277-03	D	PANEL ASSEMBLY - Overhead	1	2890206 and up
-3	492 338		* VENT ASSEMBLY - (PS10023-16)	2	28-7690001 to 28-7690479 incl.
-4	473 187		* LOUVER - (136-1M), silver	2	
	473 195		* LOUVER - (336-1HS), black	2	
-5	461 386		* FRAME - (173M), silver	2	
	461 391		* FRAME - (173B), black	2	
-6	406 424		* NUT - (C2733-040-1)	8	
-7	76308-00		DUCT - Ventilation bulkhead	1	28-7690001 to 28-8090066 incl.
-8	79192-00		INTERCONNECT - Ventilation bulkhead	1	28-7690001 to 28-8090066 incl.
-9	492 339		VENT ASSEMBLY - (PS10023-17)	2	28-7690001 to 28-7690479 incl.
-10	473 187		LOUVER - (136-1M), silver	2	
	473 195		LOUVER - (336-1HS), black	2	
	473 700		LOUVER ASSEMBLY	2	2890206 and up
-11	461 386		FRAME - (173M), silver	2	
	461 391		FRAME - (173B), black	2	
-12	761 150		BLOWER ASSEMBLY KIT - Fresh air	1	28-7690001 to 28-7790560
	99642-03		BLOWER ASSEMBLY - Fresh air	1	28-7790561 to 2890205 incl.
	99642-04		BLOWER ASSEMBLY - Fresh air (28V)	1	2890206 and up
-13	475 210	A	* MOTOR ASSEMBLY - Fresh air blower (UN-YY1S062)	1	28-7790561 to 2890205 incl.
	761 778		* MOTOR ASSEMBLY - Fresh air blower, 28V (1482-22-1)	1	2890206 and up
-14	37997-02		* COVER - Fresh air blower	1	
-15	99641-00		* PLATE ASSEMBLY - Motor mounting	1	
-16	452 935		BLOWER - (AE424-316-1)	1	
-17	99633-00		DUCT - Hose connect	1	
-18	79264-00		COVER ASSEMBLY - Fresh air blower	1	
-19	63633-148		HOSE - Fresh air blower	1	28-7690001 to 28-7990626 incl.
	63633-127		HOSE - Fresh air blower	1	28-8060001 and up
-20	63633-126		HOSE - Fresh air blower	1	28-7690001 to 28-7990626 incl.
-21	63633-152		HOSE - Ram air	1	28-7690001 to 28-7990626 incl.
-22	63904-89		TUBE - Drain	1	28-7690001 to 28-7990626 incl.
-23	79035-00		GUSSET ASSEMBLY - Intercostal	2	
-24	79286-00		BRACKET - Intercostal, aft	1	
-25	79281-00		HANGER ASSEMBLY - Blower, left	1	
-26	79282-00		HANGER ASSEMBLY - Blower, right	1	
-27	79290-00		TUBE ASSEMBLY - Drain	1	28-7690001 to 28-7990626 incl.
-28	79280-00		INTERCOSTAL - Blower bracket support, left	1	
-29	79287-00		INTERCOSTAL - Blower bracket support, right	1	
-30	79284-00		RETAINER - Housing	1	
-31	79285-00		BRACKET - Intercostal, forward	1	

When ordering, always specify Part Number, Description, and Serial Number of Aircraft

Reissued: September 15, 1994

**PIPER AIRCRAFT
PA-28-181
AIRPLANE PARTS CATALOG**

Figure and Index Number	Part Number	Code	Nomenclature	No. Req.	Serial Numbers Affected
55-32	763 814	B	SWITCH REPLACEMENT KIT - Fan (four position)	1	28-7690001 to 28-7890161 incl.
	588 109		SWITCH - (MS35058-21) (three position)	1	28-7890162 to 2890205
	688 298		SWITCH - Blower (8941K700)	1	2890206 and up
	472 200		LAMP	2	2890206 and up
	561 027		FILTER - (1813/31LW-1)	2	2890206 and up
	84622-93		CAP - Switch (HI VENT / FAN LO) (654 505)	1	2890206 and up
-33	571 162	C	KNOB - (RB-67-1-SB-M)	1	
-34	79303-00		BRACE - Hanger	2	
-35	79270-00		FITTING ASSEMBLY - Air duct, upper	1	28-7690001 to 28-7990626 incl.
-36	79271-00		FITTING ASSEMBLY - Air duct, lower	1	28-7690001 to 28-7990626 incl.
-37	554 861		CLAMP - (SAE TY F-4)	2	28-7690001 to 28-7990626 incl.
-38	554 640		CLAMP - (SAE TY A-4 5/8)	4	
-39	79292-00		STRAP - Fresh air hose support	1	
-40	454 709		CIRCUIT BREAKER - (PS50120-1-9) 20 amp, Mech. Products, Inc.	1	
	454 743		CIRCUIT BREAKER - (PS50120-3-36) 20 amp, Wood Electric Corp.	1	28-8090099 and up
-41	69885-00		FLAPPER VALVE ASSEMBLY - Fresh air intake	1	28-7690001 to 28-8090066 incl.
-42	69885-02		* SHAFT ASSEMBLY	1	28-7690001 to 28-8090066 incl.
-43	69885-03		* FLAPPER ASSEMBLY	1	28-7690001 to 28-8090066 incl.
-44	63902-25		CABLE ASSEMBLY - Fresh air flapper	1	28-7690001 to 28-8090066 incl.
	554 365		CABLE ASSEMBLY - Fresh air flapper (PS50146-2-3)	1	28-8090067 and up
-45	70371-02		FITTING - Swivel	1	
	70371-03		STUD - Swivel fitting	1	
	407 564		WASHER - (AN960-10)	1	
	404 392		NUT - (AN320-2)	1	
	424 051		COTTER PIN - (MS24665-132)	1	
-46	63633-184		HOSE - Air vent	1	28-8090001 and up
-47	36615-05		DUCT ASSEMBLY - Air vent (with filter)	1	28-8090001 and up
-48	36616-03		* FILTER - Air vent	1	28-8090001 and up
-49	36612-02		LOUVER - Air vent	1	28-8090001 and up
-50	69992-02		DUCT AND FLAPPER VALVE ASSEMBLY - Aft	1	28-8090067 and up
-51	69885-12		* FLAPPER VALVE ASSEMBLY - Fresh air intake	1	28-8090067 and up
-52	69885-02		** SHAFT ASSEMBLY	1	28-8090067 and up
-53	69885-03		** FLAPPER ASSEMBLY	1	28-8090067 and up
-54	63897-06		CAPACITOR ASSEMBLY	1	28-8090001 and up
-55	63904-112		HOSE - Drain	1	28-8090001 and up
-56	79290-00		TUBE ASSEMBLY - Drain	1	28-8090001 and up
-57	554 861		CLAMP - (SAE TY F-4)	2	28-8090001 and up
-58	76309-00		CHANNEL - Ventilation	1	28-7690001 to 28-8090066 incl.
	76309-02		CHANNEL - Ventilation	1	28-8090067 and up
-59	406 424		NUT - (C2733-040-1)	8	
-60	79293-04		HARNESS ASSEMBLY - Blower	1	
	79293-05		HARNESS ASSEMBLY - Blower	1	2890206 and up
-61	653 641		CABLE ASSEMBLY - Fresh air	1	2890206 and up

When ordering, always specify Part Number, Description, and Serial Number of Aircraft

Reissued: September 15, 1994

2A22

Island Enterprises

**PIPER AIRCRAFT
PA-28-181
AIRPLANE PARTS CATALOG**

THIS PAGE INTENTIONALLY LEFT BLANK

Reissued: September 15, 1994

2A23

Island Enterprises

**PIPER AIRCRAFT
PA-28-181
AIRPLANE PARTS CATALOG**

THIS PAGE INTENTIONALLY LEFT BLANK

PIPER AIRCRAFT
PA-28-181
AIRPLANE PARTS CATALOG

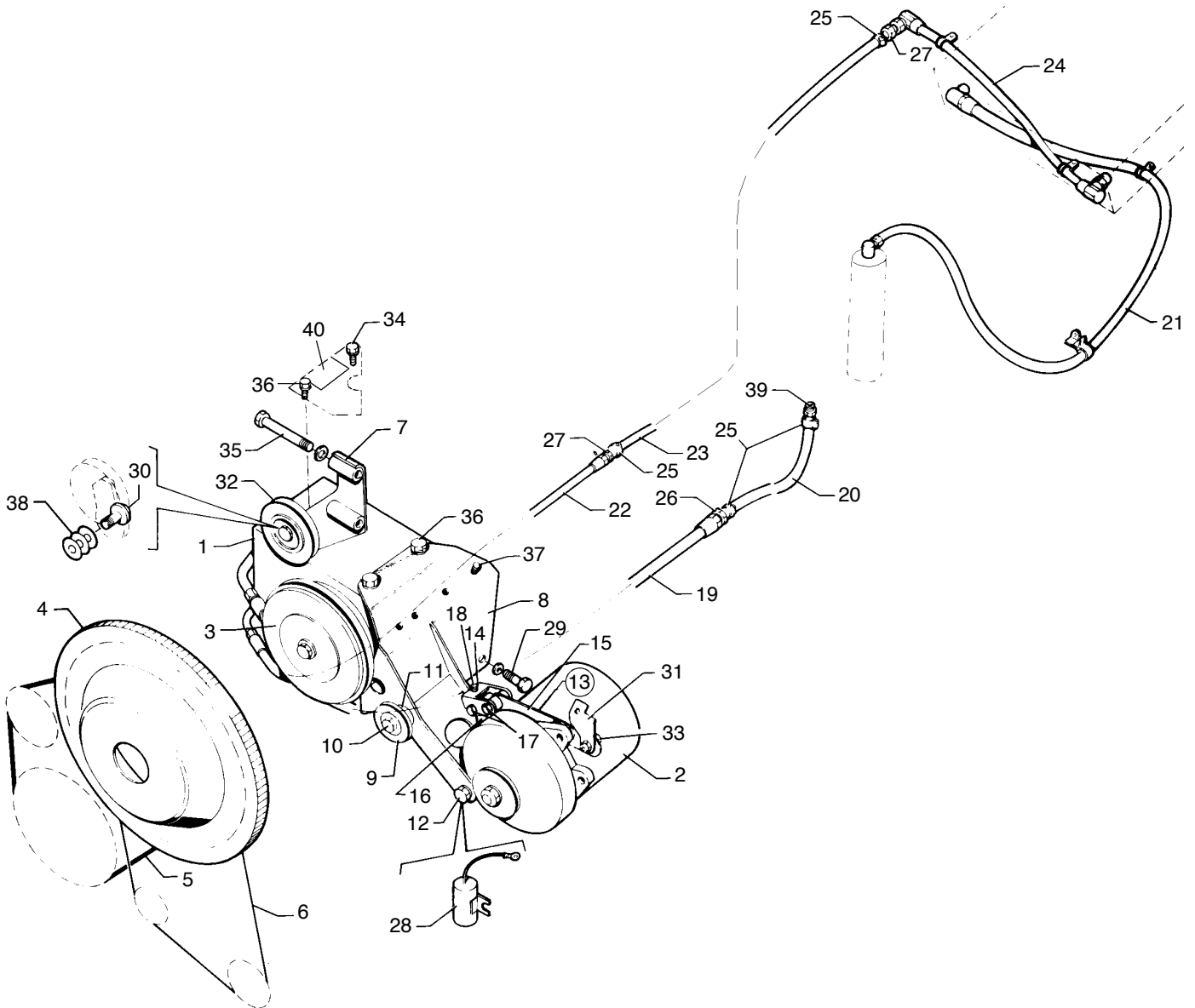


Figure 56. Air Conditioning Compressor, Refrigerant Lines, and Alternator Installation
(14 volt system - R-12 refrigerant)

Reissued: September 15, 1994

2B1

Island Enterprises

**PIPER AIRCRAFT
PA-28-181
AIRPLANE PARTS CATALOG**

CODE EXPLANATIONS FOR FIGURE 56

- A - See Figure 65 for component parts.
- B - If original one piece twisted brace has been replaced with a three piece bracket assembly, order individual parts for serial numbers 28-7990301 and up as desired.
- C - Used if Refrigerant Line Fitting Replacement Kit 764 244 has not been installed.
- D - Order parts listed for serial numbers 28-8290072 and up, if Refrigerant Line Fitting Replacement Kit 764 244 has been installed per Service Spares Letter 387.
- E - No longer available. Order Alternator Assembly 651 535.

**PIPER AIRCRAFT
PA-28-181
AIRPLANE PARTS CATALOG**

Figure and Index Number	Part Number	Code	Nomenclature	No. Req.	Serial Numbers Affected
56-	99109 99576		DRAWING - Air Conditioning Compressor and Alternator Installation DRAWING - Air Conditioning Refrigerant Lines Installation		
			<u>NOTE:</u> The parts listed in this figure apply to the 14 volt system and R-12 refrigerant only.		
-1	555 412		COMPRESSOR ASSEMBLY - (F209-16764)	1	
-2	551 983	A,E	ALTERNATOR ASSEMBLY - (ALY6422)	1	
	651 535		ALTERNATOR ASSEMBLY - (ALY8420RS)	1	
-3	554 761		CLUTCH ASSEMBLY - (10616)	1	
-4	462 112		RING GEAR ASSEMBLY - (LW16581)	1	
-5	452 824		BELT	1	
-6	452 823		BELT	1	
-7	99763-00		BRACKET ASSEMBLY - Compressor, upper	1	
-8	79584-08		BRACKET ASSEMBLY - Compressor, lower	1	
-9	99072-00		* PULLEY ASSEMBLY - Alternator drive	1	
-10	553 230		* BOLT - (NAS2906-20)	1	
	62833-82		* WASHER - Alternator pulley	2	
	79558-02		* NUT - Alternator pulley	1	
-11	95061-151		* BUSHING - Alternator idler pulley	1	
-12	401 394		* BOLT - (AN6-13A)	2	
	407 567		* WASHER - (AN960-616)	2	
	404 890		* NUT - (MS20365-624C)	2	
-13	79886-11	B	BRACKET ASSEMBLY COMPLETE - Alternator support	1	28-7690001 to 28-7990300 incl.
-14	79886-03		* CHANNEL ASSEMBLY - Alternator support	1	28-7990301 and up
-15	79886-04		* ARM ASSEMBLY - Alternator support	1	28-7990301 and up
-16	79886-07		* ARM ASSEMBLY - Alternator support	1	28-7990301 and up
-17	400 009		* BOLT - (AN4-14A)	2	28-7990301 and up
	407 585		* WASHER - (AN960-416L)	2	28-7990301 and up
	404 888		* NUT - (MS20365-428C)	2	28-7990301 and up
-18	486 126		* BOLT - (MS16997-81)	1	28-7990301 and up
-19	99592-05		HOSE ASSEMBLY - Suction	1	
-20	63904-72		HOSE - Suction	1	
-21	566 256		HOSE ASSEMBLY - Receiver dehydrator to condenser	1	28-7690001 to 28-7690088 incl.
-22	99592-04		HOSE ASSEMBLY - Discharge	1	
-23	63904-80		HOSE - Discharge	1	
-24	566 257		HOSE ASSEMBLY - Discharge	1	
-25	554 678	C	CLAMP - (H-6)	4	28-7690001 to 28-8290071 incl.
-26	451 908	D	ADAPTER - (PS10022-6-14)	1	28-7690001 to 28-8290071 incl.
	561 012		FITTING - (FC9158-0808S)	1	28-8290072 and up
	584 257		REDUCER - (42F-10-8)	1	28-8290072 and up
-27	451 907	D	ADAPTER - (PS10022-6-13)	2	28-7690001 to 28-8290071 incl.
	561 013		FITTING - (FC9158-0606S)	2	28-8290072 and up
	584 256		REDUCER - (42F-8-6)	2	28-8290072 and up
-28	63897-06		CAPACITOR ASSEMBLY	1	
-29	401 988		BOLT - (MS20074-06-11)	2	
	407 587		WASHER - (AN960-616L)	2	
-30	400 616		BOLT - (AN8H-7A)	1	
	407 569		WASHER - (AN960-816)	1	
-31	99580-00		CLIP ASSEMBLY - Left front baffle	1	
-32	99080-00		IDLER PULLEY ASSEMBLY - Compressor drive	1	
-33	401 971		BOLT - (MS20074-05-06)	1	
	407 566		WASHER - (AN960-516)	2	
-34	401 987		BOLT - (MS20074-06-06)	1	
	407 587		WASHER - (AN960-616L)	1	

When ordering, always specify Part Number, Description, and Serial Number of Aircraft

Reissued: September 15, 1994

**PIPER AIRCRAFT
PA-28-181
AIRPLANE PARTS CATALOG**

Figure and Index Number	Part Number	Code	Nomenclature	No. Req.	Serial Numbers Affected
56-35	401 461		BOLT - (AN6H-22A)	2	
	407 567		WASHER - (AN960-616)	4	
	407 587		WASHER - (AN960-616L)	2	
	407 046		WASHER - (MS35338-46)	2	
-36	401 986		BOLT - (MS20074-06-05)	3	
	407 587		WASHER - (AN960-616L)	3	
-37	401 970		BOLT - (MS20074-05-05)	4	
	407 586		WASHER - (AN960-516L)	4	
-38	62833-83		WASHER	3	
-39	451 906	D	ADAPTER - (PS10022-6-4)	1	28-7690001 to 28-8290071 incl.
	561 012		FITTING - (FC9158-0808S)	1	28-8290072 and up
	584 258		REDUCER - (661FHD-8-10)	1	28-8290072 and up

When ordering, always specify Part Number, Description, and Serial Number of Aircraft

Reissued: September 15, 1994

2B4

Island Enterprises

**PIPER AIRCRAFT
PA-28-181
AIRPLANE PARTS CATALOG**

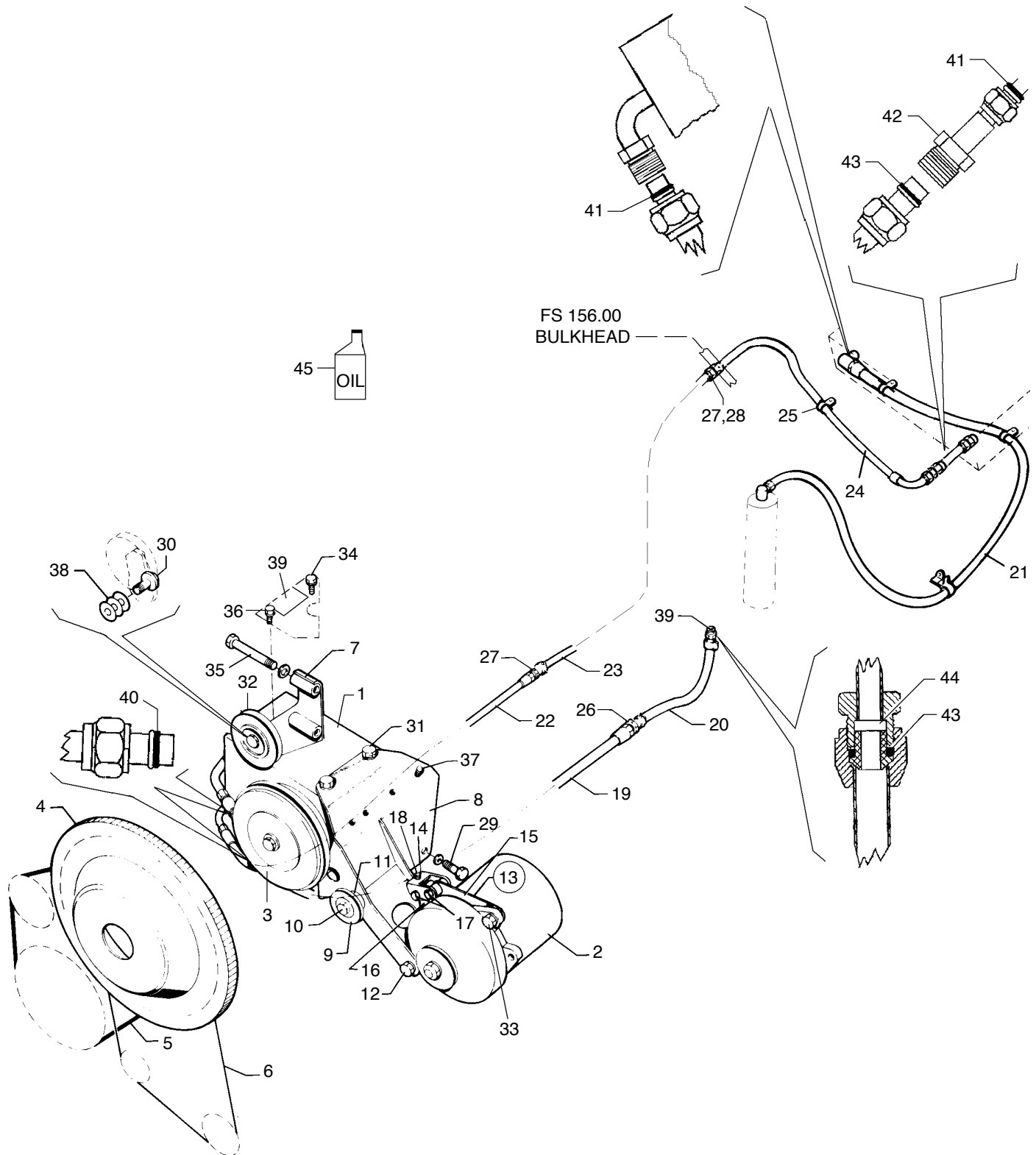


Figure 56A. Air Conditioning Compressor, Refrigerant Lines, and Alternator Installation
(28 volt system - HFC-134a refrigerant)

Reissued: September 15, 1994

**PIPER AIRCRAFT
PA-28-181
AIRPLANE PARTS CATALOG**

CODE EXPLANATIONS FOR FIGURE 56A

A - Belts 564 865 and 564 866 are interchangeable.

PIPER AIRCRAFT PA-28-181 AIRPLANE PARTS CATALOG

Figure and Index Number	Part Number	Code	Nomenclature	No. Req.	Serial Numbers Affected
56A-	99109 99576		DRAWING - Air Conditioning Compressor and Alternator Installation DRAWING - Air Conditioning Refrigerant Lines Installation		
			<u>NOTE:</u> The parts listed in this figure apply to the 28 volt system and HFC-134a refrigerant only.		
-1	557 800		COMPRESSOR ASSEMBLY - (F209R25019)	1	
-2	680 500		ALTERNATOR ASSEMBLY - (ES4032)	1	
-3	687 703		CLUTCH ASSEMBLY - (14214)	1	
-4	487 725		RING GEAR ASSEMBLY - (31M21308)	1	
-5	452 824		BELT	1	
-6	564 865	A	BELT	1	
	564 866	A	BELT	1	
-7	99630-00		BRACKET ASSEMBLY - Compressor, upper	1	
-8	79584-09		BRACKET ASSEMBLY - Compressor, lower	1	
-9	85532-03		* PULLEY ASSEMBLY - Alternator drive	1	
-10	553 230		* BOLT - (NAS2906-20)	1	
	62833-82		* WASHER - Alternator pulley	2	
	79558-02		* NUT - Alternator pulley	1	
-11	95061-151		* BUSHING - Alternator idler pulley	1	
-12	401 394		BOLT - (AN6-13A)	2	
	407 567		WASHER - (AN960-616)	4	
	404 890		NUT - (MS20365-624C)	2	
-13	79886-11		BRACKET ASSEMBLY COMPLETE - Alternator support	1	
-14	79886-03		* CHANNEL ASSEMBLY - Alternator support	1	
-15	79886-04		* ARM ASSEMBLY - Alternator support	1	
-16	79886-07		* ARM ASSEMBLY - Alternator support	1	
-17	400 009		* BOLT - (AN4-14A)	2	
	407 585		* WASHER - (AN960-416L)	2	
	404 888		* NUT - (MS20365-428C)	2	
-18	486 126		* BOLT - (MS16997-81)	1	
-19	84266-03		HOSE ASSEMBLY - Suction	1	
-20	63904-72		HOSE - Suction	1	
-21	84266-05		HOSE ASSEMBLY - Receiver dehydrator to condenser	1	
-22	84266-02		HOSE ASSEMBLY - Discharge	1	
-23	63904-80		HOSE - Discharge	1	
-24	84266-04		HOSE ASSEMBLY - Discharge	1	
-25	554 766		CLAMP	1	
-26	561 012		FITTING - (FC9158-0808S)	1	
	584 257		REDUCER - (42F-10-8)	1	
-27	561 013		FITTING - (FC9158-0606S)	2	
	584 256		REDUCER - (42F-8-6)	2	
-28	189 625		GROMMET	AR	
-29	401 988		BOLT - (MS20074-06-11)	2	
	407 587		WASHER - (AN960-616L)	2	
-30	400 616		BOLT - (AN8H-7A)	1	
	407 569		WASHER - (AN960-816)	1	
-31	401 986		BOLT - (MS20074-06-05)	2	
	407 567		WASHER - (AN960-616)	2	
-32	99080-00		IDLER PULLEY ASSEMBLY - Compressor drive	1	
-33	401 971		BOLT - (MS20074-05-06)	1	
	407 566		WASHER - (AN960-516)	1	
-34	401 987		BOLT - (MS20074-06-06)	1	
	407 587		WASHER - (AN960-616L)	1	

When ordering, always specify Part Number, Description, and Serial Number of Aircraft

Reissued: September 15, 1994

**PIPER AIRCRAFT
PA-28-181
AIRPLANE PARTS CATALOG**

Figure and Index Number	Part Number	Code	Nomenclature	No. Req.	Serial Numbers Affected
56A-35	401 461		BOLT - (AN6H-22A)	2	
	407 567		WASHER - (AN960-616)	4	
	407 587		WASHER - (AN960-616L)	2	
	407 046		WASHER - (MS35338-46)	2	
-36	401 986		BOLT - (MS20074-06-05)	1	
	407 587		WASHER - (AN960-616L)	1	
-37	401 970		BOLT - (MS20074-05-05)	4	
	407 586		WASHER - (AN960-516L)	4	
-38	62833-83		WASHER	3	
-39	69669-204		PLACARD - Attention-This air conditioning system serviced.....	1	
-40	485 198		O-ring - Suction line (ST7470-015)	1	
	485 196		O-ring - Discharge line (ST7470-013)	1	
-41	485 197		O-ring - (ST7470-011)	2	
-42	603 500		UNION - (P37246)	1	
-43	485 196		O-ring - (ST7470-013)	2	
-44	600 701		ADAPTER - (6242)	1	
-45	923 384		REFRIGERATION OIL - 14 ounce bottle (Approved for usage in R134a systems)	1	

When ordering, always specify Part Number, Description, and Serial Number of Aircraft

Reissued: September 15, 1994

2B8

Island Enterprises

PIPER AIRCRAFT
PA-28-181
AIRPLANE PARTS CATALOG

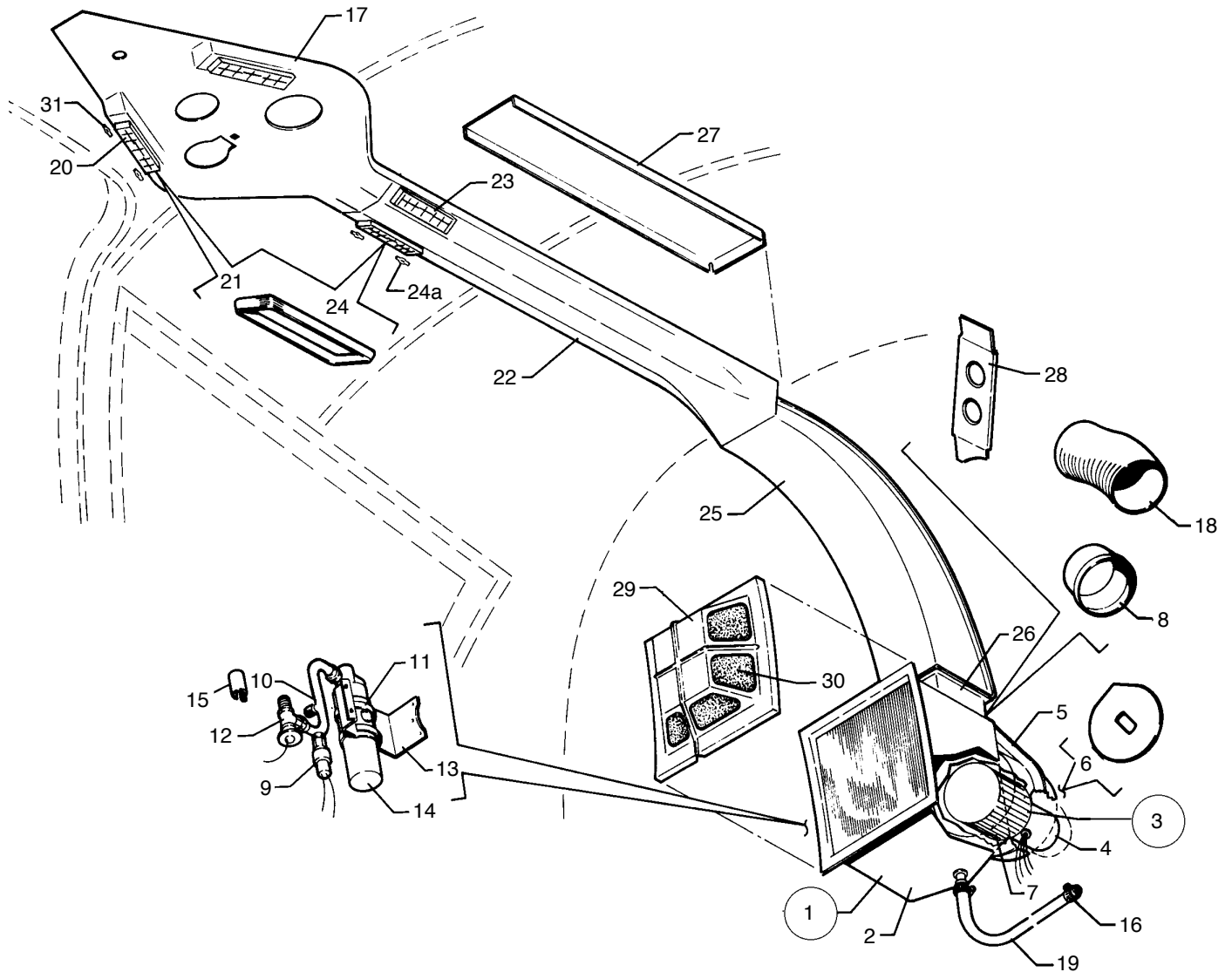


Figure 57. Air Conditioning Duct and Evaporator Installation
(14 volt system - R-12 refrigerant)

Reissued: September 15, 1994

**PIPER AIRCRAFT
PA-28-181
AIRPLANE PARTS CATALOG**

CODE EXPLANATIONS FOR FIGURE 57

- A - Also used on serial numbers 28-7690001 to 28-7790560 inclusive, if Blower Assembly Kit 761 150 has previously been installed.
- B - If interconnect duct assembly and aft cabin bulkhead duct are bonded (not riveted) to aft cabin bulkhead, order part listed for serial numbers 28-8090067 and up.

PIPER AIRCRAFT PA-28-181 AIRPLANE PARTS CATALOG

Figure and Index Number	Part Number	Code	Nomenclature	No. Req.	Serial Numbers Affected
57-	76306		DRAWING - Air Conditioning Duct Installation		28-7690001 to 28-8090066 incl.
	76493		DRAWING - Air Conditioning Duct Installation		28-8090067 and up
	99292		DRAWING - Evaporator Bulkhead Assembly		28-7690001 to 28-8090066 incl.
	79849		DRAWING - Evaporator Bulkhead Assembly		28-8090067 and up
<u>NOTE:</u> The parts listed in this figure apply to the 14 volt system and R-12 refrigerant only.					
-1	99640-00		EVAPORATOR ASSEMBLY - Air conditioning (complete)	1	
-2	99640-03		* EVAPORATOR AND HOUSING ASSEMBLY - Air conditioning	1	
-3	761 150		* BLOWER ASSEMBLY KIT - Evaporator	1	28-7690001 to 28-7790560 incl.
	99642-03		* BLOWER ASSEMBLY - Evaporator	1	28-7790561 and up
-4	475 210	A	** MOTOR ASSEMBLY - Evaporator blower (UN-YY1S062)	1	28-7790561 and up
-5	37997-02		** COVER - Evaporator blower	1	
-6	99641-00		** PLATE ASSEMBLY - Motor mounting	1	
-7	452 935		** BLOWER - (AE424-316-1)	1	
-8	99633-00		* DUCT - Hose connect	1	
-9	99646-02		* SWITCH ASSEMBLY - Pressure	1	
-10	589 688		* LINE ASSEMBLY - Evaporator inlet (37245-6-6S)	1	
-11	554 926		* CLAMP - (SAE TY F-44)	2	
-12	99648-00		* VALVE ASSEMBLY - Evaporator expansion	1	
-13	99650-00		* BRACKET - Receiver dehydrator	1	
-14	456 615		* RECEIVER DEHYDRATOR - (1106)	1	
-15	99661-00		* CLAMP - Bulb, expansion valve	1	
-16	554 861		CLAMP - (SAE TY F-4)	2	
-17	76496-13		PANEL ASSEMBLY - Ventilation (less speaker hole)	1	
	76496-12		PANEL ASSEMBLY - Ventilation (with speaker hole)	1	
-18	63633-100		HOSE - Air conditioning	1	
-19	63913-199		HOSE - Evaporator drain	1	
-20	473 187		LOUVER - (136-1M), silver	2	
	473 195		LOUVER - (336-1HS), black	2	
-21	461 386		FRAME - (173M), silver	2	
	461 391		FRAME - (173B), black	2	
-22	99541-02		DUCT ASSEMBLY - Air conditioning	1	28-7690001 to 28-8090066 incl.
	79855-02		DUCT ASSEMBLY - Air conditioning	1	28-8090067 and up
-23	473 187		* LOUVER - (136-1M), silver	2	
	473 195		* LOUVER - (336-1HS), black	2	
-24	461 386		* FRAME - (173M), silver	2	
	461 391		* FRAME - (173B), black	2	
-24a	406 424		* NUT - (C2733-040-1)	8	
-25	99507-00	B	DUCT ASSEMBLY - Aft cabin bulkhead	1	28-7690001 to 28-8090066 incl.
	79839-03		DUCT ASSEMBLY - Aft cabin bulkhead	1	28-8090067 and up
-26	99634-00	B	DUCT ASSEMBLY - Interconnect	1	28-7690001 to 28-8090066 incl.
	79840-04		DUCT ASSEMBLY - Interconnect	1	28-8090067 and up
-27	76309-00		CHANNEL - Air conditioning	1	28-7690001 to 28-8090066 incl.
	76309-02		CHANNEL - Air conditioning	1	28-8090067 and up
-28	99539-00		SUPPORT ASSEMBLY - Evaporator box	1	
-29	99550-02		COVER - Evaporator filter	1	
-30	99644-00		FILTER - Evaporator	1	
-31	406 424		NUT - (C2733-040-1)	8	

When ordering, always specify Part Number, Description, and Serial Number of Aircraft

Reissued: September 15, 1994

2B11

Island Enterprises

PIPER AIRCRAFT
PA-28-181
AIRPLANE PARTS CATALOG

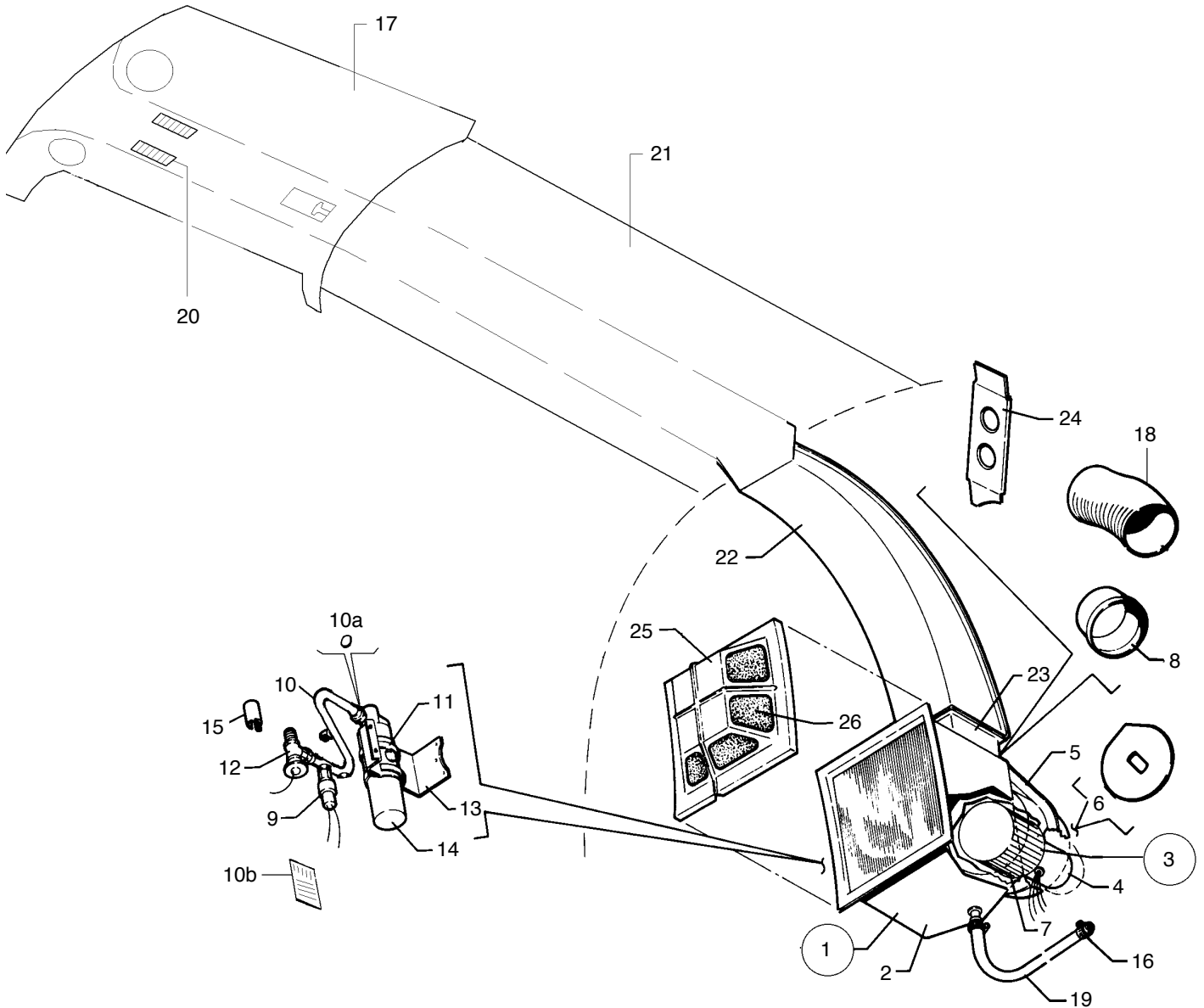


Figure 57A. Air Conditioning Duct and Evaporator Installation
(28 volt system - HFC-134a refrigerant)

Reissued: September 15, 1994

2B12

Island Enterprises

**PIPER AIRCRAFT
PA-28-181
AIRPLANE PARTS CATALOG**

CODE EXPLANATIONS FOR FIGURE 57A

A - Used if air conditioning is installed.

Reissued: September 15, 1994

2B13

Island Enterprises

**PIPER AIRCRAFT
PA-28-181
AIRPLANE PARTS CATALOG**

Figure and Index Number	Part Number	Code	Nomenclature	No. Req.	Serial Numbers Affected
57A-	76493 79849		DRAWING - Air Conditioning Duct Installation DRAWING - Evaporator Bulkhead Assembly		
<u>NOTE:</u> The parts listed in this figure apply to the 28 volt system and HFC-134a refrigerant only.					
-1	99640-08		EVAPORATOR ASSEMBLY - Air conditioning (complete)	1	
-2	99640-09		* EVAPORATOR AND HOUSING ASSEMBLY - Air conditioning	1	
-3	99642-04		* BLOWER ASSEMBLY - Evaporator	1	
-4	761 778		** MOTOR ASSEMBLY - Evaporator blower (1482-22-1)	1	
-5	37997-02		** COVER - Evaporator blower	1	
-6	99641-00		** PLATE ASSEMBLY - Motor mounting	1	
-7	452 935		** BLOWER - (AE424-316-1)	1	
-8	99633-00		* DUCT - Hose connect	1	
-9	688 425		* SWITCH ASSEMBLY - Pressure	1	
-10	689 106		* LINE ASSEMBLY - Evaporator inlet (P37245)	1	
-10a	485 197		* O-ring - (ST7470-11) one in each end of tube	2	
-10b	69669-204		* PLACARD - Attention-This air conditioning system serviced.....	1	
-11	554 926		* CLAMP - (SAE TY F-44)	2	
-12	592 633		* VALVE ASSEMBLY - Evaporator expansion	1	
-13	99650-00		* BRACKET - Receiver dehydrator	1	
-14	599 557		* RECEIVER DEHYDRATOR - (1219X)	1	
-15	99661-00		* CLAMP - Bulb, expansion valve	1	
-16	554 861		CLAMP - (SAE TY F-4)	2	
-17	84277-02		PANEL ASSEMBLY - Overhead	1	
	84277-23	A	PANEL ASSEMBLY - Overhead	1	
-18	63633-100		HOSE - Air conditioning	1	
-19	63913-199		HOSE - Evaporator drain	1	
-20	473 700		LOUVER ASSEMBLY	2	
-21	84277-26		PANEL ASSEMBLY - Headliner	1	
	84277-03	A	PANEL ASSEMBLY - Headliner	1	
-22	79839-03		DUCT ASSEMBLY - Aft cabin bulkhead	1	
-23	79840-04		DUCT ASSEMBLY - Interconnect	1	
-24	99539-00		SUPPORT ASSEMBLY - Evaporator box	1	
-25	99550-02		COVER - Evaporator filter	1	
-26	99644-00		FILTER - Evaporator	1	

When ordering, always specify Part Number, Description, and Serial Number of Aircraft

Reissued: September 15, 1994

2B14

Island Enterprises

PIPER AIRCRAFT
PA-28-181
AIRPLANE PARTS CATALOG

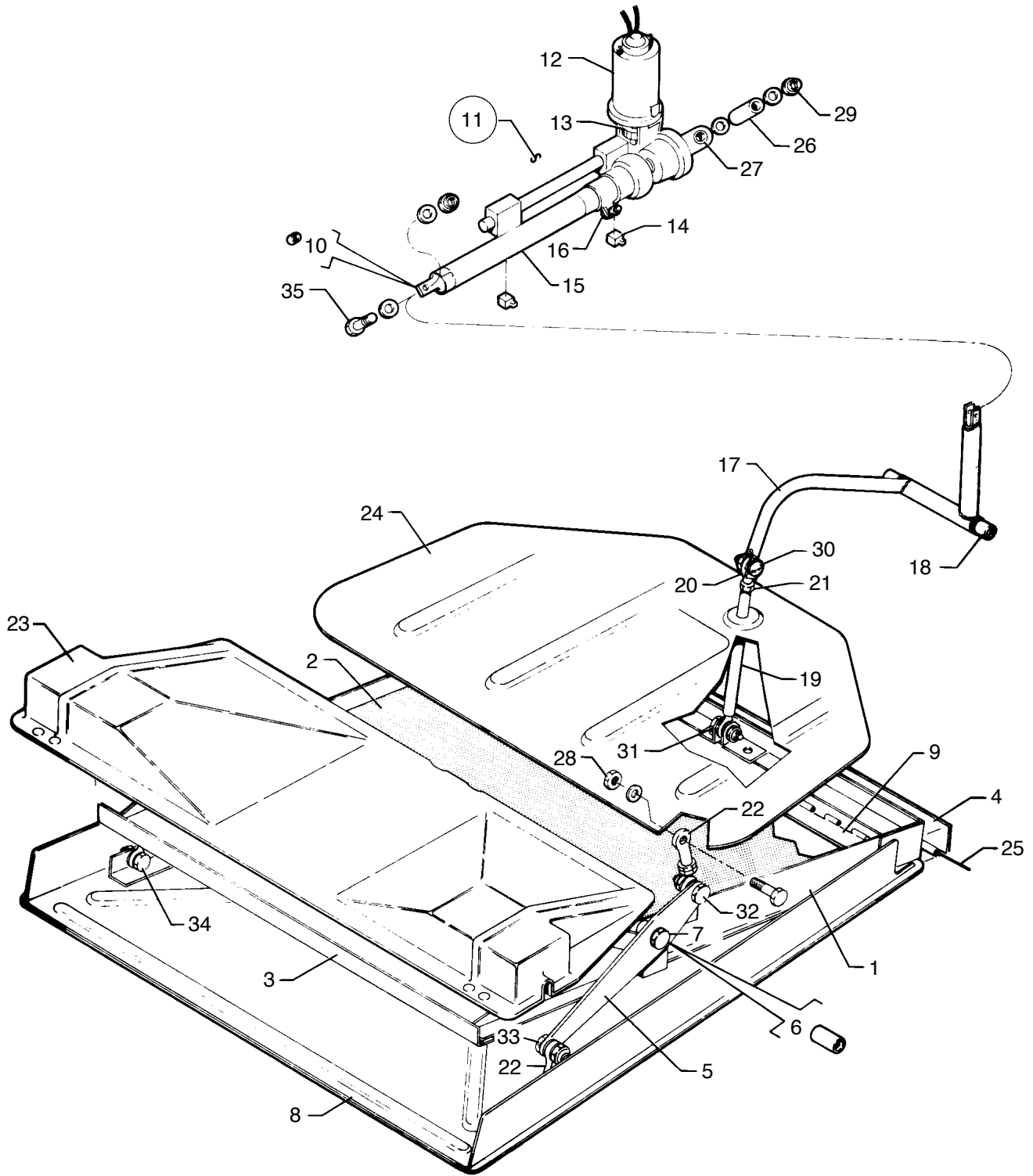


Figure 58. Air Conditioning Condenser Installation
(14 volt system - R-12 refrigerant)

Reissued: September 15, 1994

2B15

Island Enterprises

**PIPER AIRCRAFT
PA-28-181
AIRPLANE PARTS CATALOG**

CODE EXPLANATIONS FOR FIGURE 58

Reissued: September 15, 1994

2B16

Island Enterprises

PIPER AIRCRAFT PA-28-181 AIRPLANE PARTS CATALOG

Figure and Index Number	Part Number	Code	Nomenclature	No. Req.	Serial Numbers Affected
58-	99855		DRAWING - Air Conditioning Condenser Installation		
			<u>NOTE:</u> The parts listed in this figure apply to the 14 volt system and R-12 refrigerant only.		
-1	99387-00		CONDENSER ASSEMBLY - Air conditioning (complete)	1	
-2	555 457		* CONDENSER - (1E-1415C)	1	
-3	99263-00		* HINGE ASSEMBLY - Condenser door	1	
-4	99275-02		* HINGE - Half	1	
-5	99495-00		* BELLCRANK ASSEMBLY - Condenser door mechanism	2	
-6	65003-56		* BUSHING	2	
-7	401 273		* BOLT - (AN3-14A)	2	
	407 584		* WASHER - (AN960-10L)	4	
	404 887		* NUT - (MS20365-1032C)	2	
-8	99271-00		DOOR ASSEMBLY - Louver	1	
-9	99275-02		* HINGE - Half	1	
-10	452 571		BEARING - (AA225-1)	1	
-11	99854-00		ACTUATOR ASSEMBLY - Condenser door (complete)	1	
-12	761 519		* MOTOR - Actuator (C145-200)	1	
-13	753 085		* UNIVERSAL ASSEMBLY - (B100-06)	1	
-14	587 852		* SWITCH - Limit (V3L-3-D9)	2	
-15	99853-00		* TUBE ASSEMBLY - Actuator	1	
-16	554 714		* CLAMP - (AN741-8P)	1	
-17	99867-00		BELLCRANK ASSEMBLY - Condenser	1	
-18	452 570		* BUSHING - Bronze (FF565-2)	2	
-19	99557-00		ROD ASSEMBLY - Condenser push	1	
-20	452 558		* BEARING - Rod end (PS10020-5-1R)	2	
-21	400 224		* NUT - (AN315-3R)	1	
-22	99561-00		BEARING ASSEMBLY - Condenser door actuating	4	
-23	99572-00		COVER ASSEMBLY - Forward	1	28-7690001 to 28-7690088 incl.
	99572-04		COVER ASSEMBLY - Forward	1	28-7690089 and up
-24	99569-00		COVER ASSEMBLY - Aft	1	
-25	99275-04		PIN - Hinge	1	
-26	65165-87		TUBE	2	
-27	452 561		BEARING - (AA304-20)	1	
-28	400 441		BOLT - (AN3-7A)	2	
	407 564		WASHER - (AN960-10)	6	
	404 887		NUT - (MS20365-1032C)	2	
-29	401 334		BOLT - (AN4-36A)	1	
	407 565		WASHER - (AN960-416)	3	
	404 888		NUT - (MS20365-428C)	1	
-30	400 861		BOLT - (AN23-13A)	1	
	407 564		WASHER - (AN960-10)	1	
	404 887		NUT - (MS20365-1032C)	1	
-31	401 269		BOLT - (AN3-10A)	1	
	407 564		WASHER - (AN960-10)	3	
-32	400 440		BOLT - (AN3-6A)	2	
	407 564		WASHER - (AN960-10)	2	
	62833-101		WASHER - (.56 O. D.)	2	
	404 835		NUT - (MS20364-1032C)	2	
-33	400 861		BOLT - (AN23-13A)	2	
	407 564		WASHER - (AN960-10)	2	
	62833-101		WASHER - (.56 O. D.)	2	
	404 887		NUT - (MS20365-1032C)	2	

When ordering, always specify Part Number, Description, and Serial Number of Aircraft

Reissued: September 15, 1994

2B17

Island Enterprises

**PIPER AIRCRAFT
PA-28-181
AIRPLANE PARTS CATALOG**

Figure and Index Number	Part Number	Code	Nomenclature	No. Req.	Serial Numbers Affected
58-34	400 861		BOLT - (AN23-13A)	2	
	407 564		WASHER - (AN960-10)	4	
	62833-101		WASHER - (.56 O. D.)	2	
	404 887		NUT - (MS20365-1032C)	2	
-35	400 861		BOLT - (AN23-13A)	1	
	407 564		WASHER - (AN960-10)	1	
	404 887		NUT - (MS20365-1032C)	1	

When ordering, always specify Part Number, Description, and Serial Number of Aircraft

Reissued: September 15, 1994

2B18

Island Enterprises

PIPER AIRCRAFT
PA-28-181
AIRPLANE PARTS CATALOG

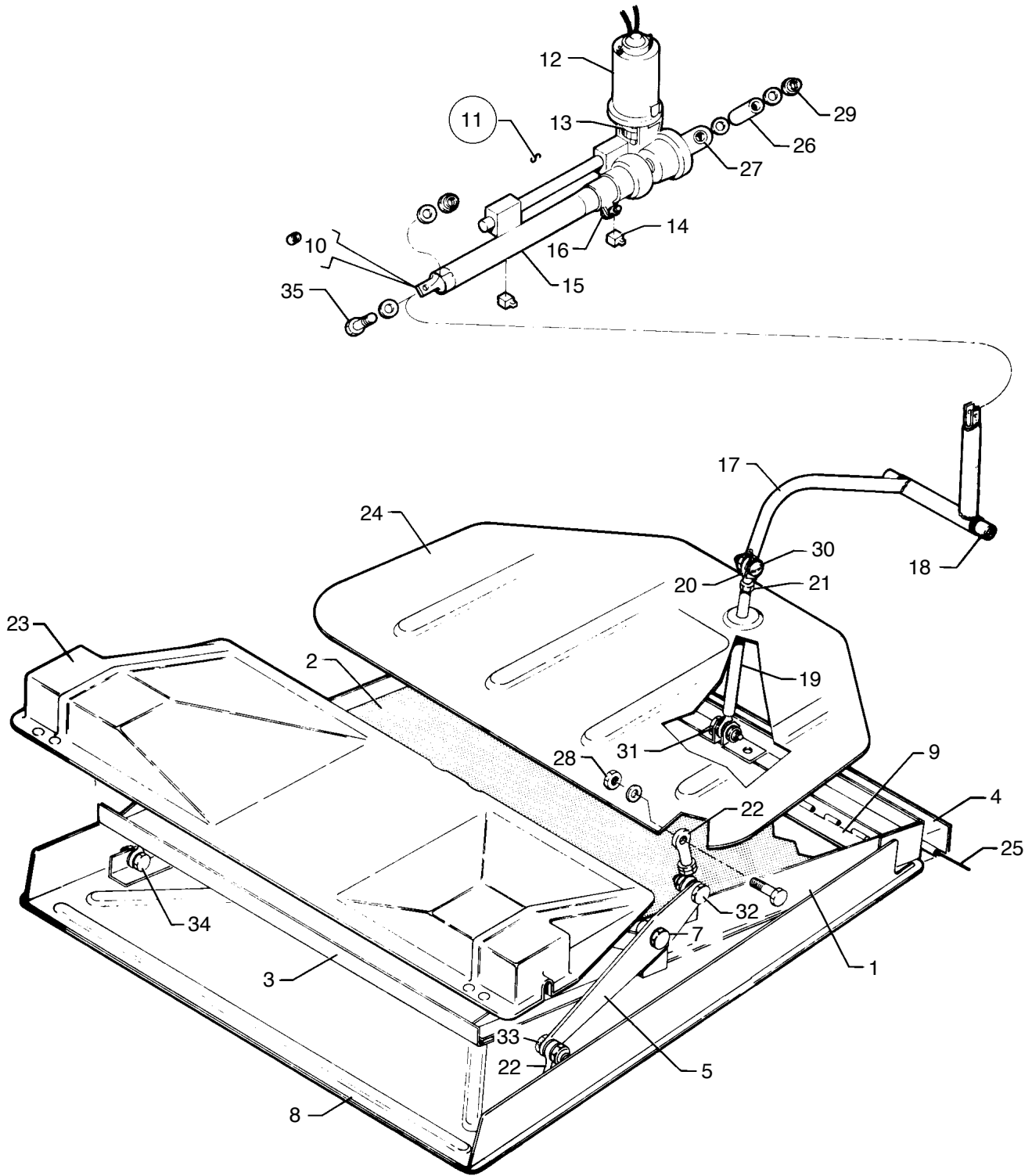


Figure 58A. Air Conditioning Condenser Installation
(28 volt system - HFC-134a refrigerant)

Reissued: September 15, 1994

2B19

**PIPER AIRCRAFT
PA-28-181
AIRPLANE PARTS CATALOG**

CODE EXPLANATIONS FOR FIGURE 58A

Reissued: September 15, 1994

2B20

Island Enterprises

PIPER AIRCRAFT

PA-28-181

AIRPLANE PARTS CATALOG

Figure and Index Number	Part Number	Code	Nomenclature	No. Req.	Serial Numbers Affected
58A-	99855		DRAWING - Air Conditioning Condenser Installation		
			<u>NOTE:</u> The parts listed in this figure apply to the 28 volt system and HFC-134a refrigerant only.		
-1	99387-05		CONDENSER ASSEMBLY - Air conditioning (complete)	1	
-2	552 250		* CONDENSER - (C-6176)	1	
-3	99263-00		* HINGE ASSEMBLY - Condenser door	1	
-4	99275-02		* HINGE - Half	1	
-5	99495-00		* BELLCRANK ASSEMBLY - Condenser door mechanism	2	
-6	-----				
-7	403 401		* BOLT - (NAS6203-13)	2	
	407 584		* WASHER - (AN960-10L)	2	
-8	99271-00		DOOR ASSEMBLY - Louver	1	
-9	99275-02		* HINGE - Half	1	
-10	452 571		BEARING - (AA225-1)	1	
-11	99854-02		ACTUATOR ASSEMBLY - Condenser door (complete)	1	
-12	761 863		* MOTOR - Actuator (C145-250)	1	
-13	753 085		* UNIVERSAL ASSEMBLY - (B100-06)	1	
-14	587 852		* SWITCH - Limit (V3L-3-D9)	2	
-15	99853-00		* TUBE ASSEMBLY - Actuator	1	
-16	554 714		* CLAMP - (AN741-8P)	1	
-17	99867-05		BELLCRANK ASSEMBLY - Condenser	1	
-18	452 570		* BUSHING - Bronze (FF565-2)	2	
-19	99557-04		ROD ASSEMBLY - Condenser push	1	
-20	452 558		* BEARING - Rod end (PS10020-5-1R)	2	
-21	404 224		* NUT - (AN315-3R)	1	
-22	99561-00		BEARING ASSEMBLY - Condenser door actuating	4	
-23	99572-06		COVER ASSEMBLY - Forward	1	
-24	99569-03		COVER ASSEMBLY - Aft	1	
	924 450		TAPE - For sealing gaps between cover and airframe	AR	
-25	99275-04		PIN - Hinge	1	
-26	65165-87		TUBE	2	
-27	452 561		BEARING - (AA304-20)	1	
-28	400 441		BOLT - (AN3-7A)	2	
	407 564		WASHER - (AN960-10)	6	
	404 887		NUT - (MS20365-1032C)	2	
-29	401 334		BOLT - (AN4-36A)	1	
	407 565		WASHER - (AN960-416)	3	
	404 888		NUT - (MS20365-428C)	1	
-30	400 861		BOLT - (AN23-13A)	1	
	407 564		WASHER - (AN960-10)	1	
	404 887		NUT - (MS20365-1032C)	1	
-31	401 269		BOLT - (AN3-10A)	1	
	407 564		WASHER - (AN960-10)	5	
	404 887		NUT - (MS20365-1032C)	1	
-32	400 440		BOLT - (AN3-6A)	2	
	407 564		WASHER - (AN960-10)	2	
	62833-101		WASHER - (.56 O. D.)	2	
	404 835		NUT - (MS20364-1032C)	2	
-33	400 861		BOLT - (AN23-13A)	2	
	407 564		WASHER - (AN960-10)	2	
	62833-101		WASHER - (.56 O. D.)	2	
	404 887		NUT - (MS20365-1032C)	2	
-34	400 861		BOLT - (AN23-13A)	2	
	407 564		WASHER - (AN960-10)	4	
	62833-101		WASHER - (.56 O. D.)	2	
	404 887		NUT - (MS20365-1032C)	2	

When ordering, always specify Part Number, Description, and Serial Number of Aircraft

Reissued: September 15, 1994

2B21

Island Enterprises

**PIPER AIRCRAFT
PA-28-181
AIRPLANE PARTS CATALOG**

Figure and Index Number	Part Number	Code	Nomenclature	No. Req.	Serial Numbers Affected
58A-35	400 861		BOLT - (AN23-13A)	1	
	407 564		WASHER - (AN960-10)	1	
	404 887		NUT - (MS20365-1032C)	1	

When ordering, always specify Part Number, Description, and Serial Number of Aircraft

Reissued: September 15, 1994

2B22

Island Enterprises

**PIPER AIRCRAFT
PA-28-181
AIRPLANE PARTS CATALOG**

THIS PAGE INTENTIONALLY LEFT BLANK

Reissued: September 15, 1994

2B23

Island Enterprises

**PIPER AIRCRAFT
PA-28-181
AIRPLANE PARTS CATALOG**

THIS PAGE INTENTIONALLY LEFT BLANK

**PIPER AIRCRAFT
PA-28-181
AIRPLANE PARTS CATALOG**

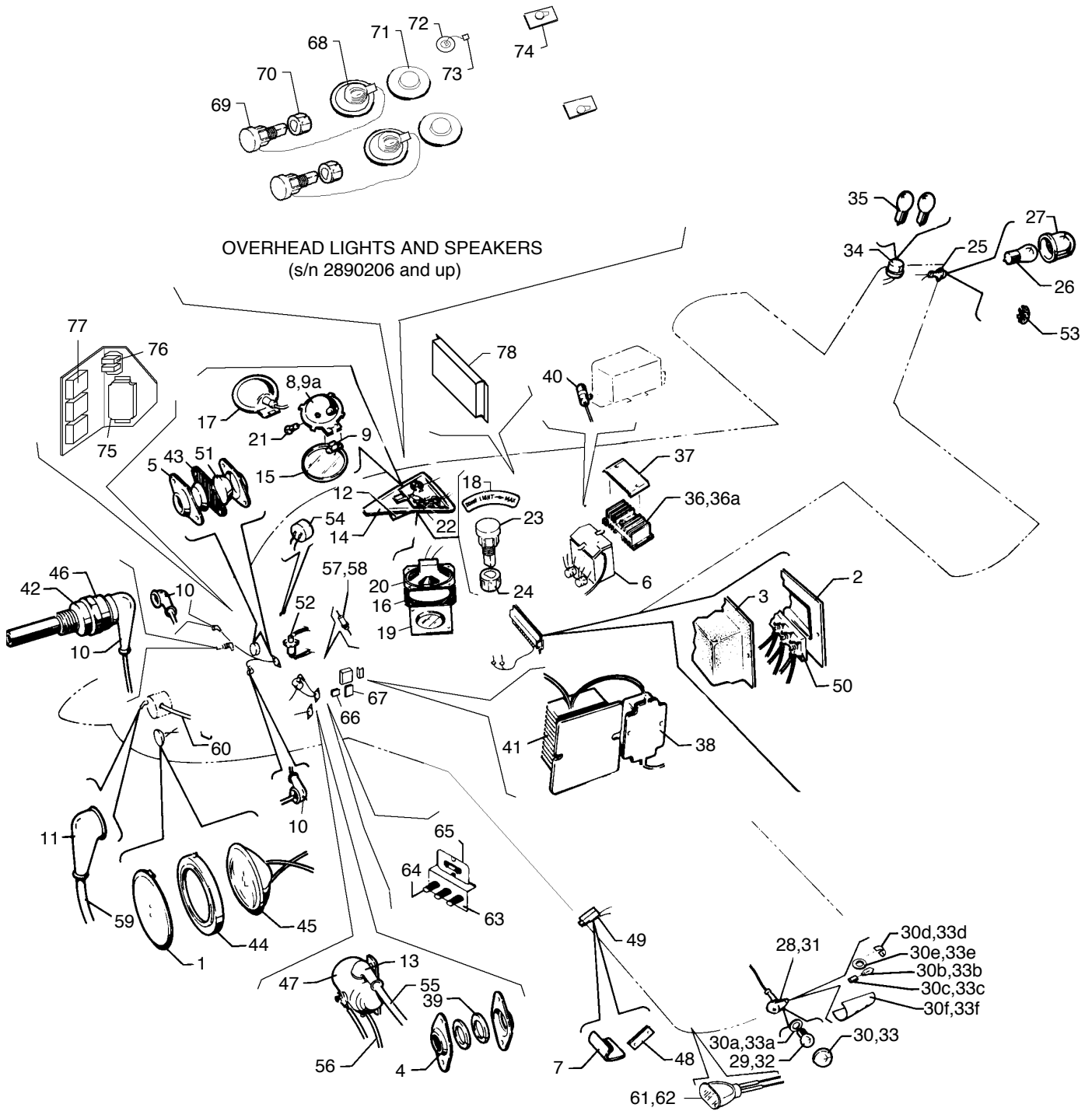


Figure 59. Electrical System Installation

Reissued: September 15, 1994

**PIPER AIRCRAFT
PA-28-181
AIRPLANE PARTS CATALOG**

CODE EXPLANATIONS FOR FIGURE 59

- A - See Figure 62 or 62A for component parts.
- B - Without cutouts.
- C - With cutouts, but less radio speaker cutout.
- D - With cutouts.
- E - See Figure 66 if strobe light is installed.
- F - Used on Grimes rotating beacon D708A-3-12.
- G - Used on Whelen rotating beacons WRM-12 and WRML-12.
- H - Used on Grimes rotating beacon 40-0101-7-12.
- J - See Figure 55 if fresh air ventilation system is installed, or Figure 57 if air conditioning is installed.
- K - Used on serial numbers 28-7690001 to 28-8290036 inclusive. Also used on serial numbers 28-8290037 and up, if aircraft complies with United Kingdom requirements.
- L - DISTRIBUTORS: Before replacing engine gauges and senders, see Piper Aircraft Service Spares Letter 406.
- M - Used on serial numbers 28-8190280 to 28-8290016 inclusive, 28-8290019 to 28-8290027 inclusive, 28-8290029 to 28-8290032 inclusive, 28-8290035, 28-8290037 and up.
- N - Used if a Chrysler alternator is installed.
- P - This part is no longer available. Order Alternator Control Service Replacement Kit 764 928 as a replacement.
- Q - Used if recognition lights are installed.
- R - Alternate part.
- S - This assembly includes the connector, pin, housing, socket, and light assembly.
- T - Used with 66632-00 Reflector Assembly.
- U - For alternate Cabin Flood Light Assembly, see item 9a.
- V - Required with 87499-03 Cabin Flood Light Assembly, but less radio speaker cutout.
- W - Required with 87499-03 Cabin Flood Light Assembly, and radio speaker cutout.
- Y - Requires 99222-12 or 99222-13 Cabin Light Panel Assembly.
- Z - For serial numbers 2890206 and up, see Index Number 71.

PIPER AIRCRAFT PA-28-181 AIRPLANE PARTS CATALOG

Figure and Index Number	Part Number	Code	Nomenclature	No. Req.	Serial Numbers Affected
59-	76454 85370		DRAWING - Electrical System Installation DRAWING - Electrical System Installation		2890206 and up
-1	12761-02		COVER ASSEMBLY - Landing light opening	1	
-2	67404-02		COVER - Terminal strip	1	
-3	67404-03		COVER - Terminal strip	1	
-4	18321-00		PLATE - Firewall seal	4	
-5	66789-00		PLATE - Firewall seal	2	
-6		A	BATTERY INSTALLATION	1	
-7	450 745		PLATE - Lift detector mounting (C-52207-2)	1	
-8	66632-00	U	REFLECTOR ASSEMBLY - Dome light	1	
-9	688 217	U	* SWITCH	1	
-9a	87499-03 572 646	R,S,Y	LIGHT ASSEMBLY - Cabin, flood * LIGHT ASSEMBLY - Cabin, flood (01-0770339-03) 14Volt (includes switch)	1 1	
	472 034		** LAMP - (1414) 14Volt	1	
-10	23969-02		NIPPLE - Electrical	4	
-11	23969-03		NIPPLE - Electrical	5	
-12	99121-00		PLACARD ASSEMBLY - Alternate static correlation	1	
-13	66580-02		NIPPLE - Terminal (476 695)	1	
-14	99222-02	B,J	PANEL ASSEMBLY - Cabin light, white	1	
	99222-09	C,J	PANEL ASSEMBLY - Cabin light, white	1	
	99222-10	D,J	PANEL ASSEMBLY - Cabin light, white	1	
	99222-12	V	PANEL ASSEMBLY - Cabin light, white	1	
	99222-13	W	PANEL ASSEMBLY - Cabin light, white	1	
-15	12715-00	T,U	LENS - Dome light (472 330)	1	
-16	99745-00		GASKET - Circular radio speaker	1	
-17	572 582		LIGHT ASSEMBLY - Panel (A300-W-14) 14Volt	1	
-18	69669-20		PLACARD - Dome light maximum	1	
-19	99198-00		GRILL - Circular radio speaker	1	
-20	585 015	Z	SPEAKER - Radio, circular (6FU3211)	1	
-21	472 036	T,U	LAMP - (89)	1	
-22	484 375		RELAY - Microphone (11F-2300G-SIL)	1	
-23	95228-00		DIMMER ASSEMBLY - Potentiometer	1	
-24	571 136		KNOB - (PS10067-4-1)	1	
-25	472 736	K	LIGHT - Tail, white, 14 Volt	1	
	572 634		LIGHT - Tail, white, 28 Volt	1	2890206 and up
-26	753 431	K	* BULB - 14 Volt	1	
	761 315		* LAMP - 28 Volt	1	2890206 and up
-27	751 203	K	* LENS - White	1	
-28	472 665	E	LIGHT - Wing position, red (1285PR) 14 Volt	1	28-7690001 to 28-8190250 incl.
	572 559	E	LIGHT - Wing position, red (A675-PR-14) 14 Volt	1	28-8190251 and up
-29	751 381	E	* BULB - (1512)	1	
-30	751 202	E	* LENS - Red	1	
-30a	755 075	E	* GASKET - (W1283)	1	28-8190251 and up
-30b	761 256	E	* LAMP - Navigation light assembly (A508) 14 Volt	1	28-8190251 and up
-30c	762 426	E	* SOCKET ASSEMBLY - Navigation light (A507)	1	28-8190251 and up
-30d	761 255	E	* LENS - Navigation light (A615)	1	28-8190251 and up
-30e	755 096	E	* GASKET - Navigation light (A616)	1	28-8190251 and up
-30f	762 636	E	* RETAINER - Navigation light (A674)	1	28-8190251 and up
-31	472 666	E	LIGHT - Wing position, green (1285PG) 14 Volt	1	28-7690001 to 28-8190250 incl.
	572 562	E	LIGHT - Wing position, green (1675-PG-14) 14 Volt	1	28-8190251 and up
-32	751 381	E	* BULB - (1512)	1	
-33	751 201	E	* LENS - Green	1	
-33a	755 075	E	* GASKET - (W1283)	1	28-8190251 and up
-33b	761 256	E	* LAMP - Navigation light assembly (A508) 14 Volt	1	28-8190251 and up
-33c	762 426	E	* SOCKET ASSEMBLY - Navigation light (A507)	1	28-8190251 and up
-33d	761 255	E	* LENS - Navigation light (A615)	1	28-8190251 and up

When ordering, always specify Part Number, Description, and Serial Number of Aircraft

Reissued: September 15, 1994

**PIPER AIRCRAFT
PA-28-181
AIRPLANE PARTS CATALOG**

Figure and Index Number	Part Number	Code	Nomenclature	No. Req.	Serial Numbers Affected
59-33e	755 096	E	* GASKET - Navigation light (A616)	1	28-8190251 and up
-33f	762 636	E	* RETAINER - Navigation light (A674)	1	28-8190251 and up
-34	452 465		BEACON - Rotating	1	
-35	752 307	F	* BULB - Rotating beacon (Grimes A7079-12)	1	
	758 402	G,H	* BULB - Rotating beacon (WRM-1940)	1	
-36	79412-11		DIODE AND COOLER ASSEMBLY	1	
-36a	467 067		* INSULATOR - Cooler (103)	4	
-37	79414-00		COVER - Diode cooler	1	
-38	450 397	P	RELAY - Overvoltage (PS50034-1)	1	28-7690001 to 28-8490027 incl.
-39	63915-05		DISC - Firewall seal	2	
-40	454 083		CAPACITOR - (AR-1)	1	
-41	68804-03	P	REGULATOR ASSEMBLY - Voltage	1	28-7690001 to 28-8490027 incl.
	68804-04		CONTROL ASSEMBLY - Voltage, 14 Volt	1	28-8490028 to 2890205 incl.
	68804-05		CONTROL ASSEMBLY - Voltage, 28 Volt	1	2890206 and up
-42	462 012		GASKET - (AH-1522)	1	
-43	68771-03		GASKET - Firewall seal	1	
-44	65372-00		RETAINER ASSEMBLY - Landing light	1	
-45	472 661		LIGHT - Landing (PS10008-4509) 100W, 12V	1	
-46	550 487	L	GAUGE - Engine unit, oil temperature (362-EW)	1	
	86685-02	L	SENDER UNIT - Oil temperature	1	
	453 742		BULB - Oil temperature (MS28034-1)	1	
-47	99130-02		SOLENOID - Starter (487 169)	1	
	26898-03		SOLENOID - Starter, 28 Volt (487 152)	1	2890206 and up
-48	450 741		DECAL - Lift detector (C52207-3)	1	
-49	450 742		DETECTOR - Lift (C52207-4)	1	
-50	488 545		STRIP - Terminal (MS25123-1-12)	1	
-51	68770-03		GROMMET - Firewall seal	2	
-52	460 594		FILTER - Fuel pump noise (NFIC-270-4-2MFD)	1	
-53	453 639		BUTTON - Plug (HS50726)	1	
-54	35214-00		HORN ASSEMBLY - Stall warning	1	
	35214-02		HORN ASSEMBLY - Stall warning, 28 Volt	1	2890206 and up
-55	63862-136		WIRE ASSEMBLY - Solenoid to battery (163.50")	1	
	63862-200		WIRE ASSEMBLY - Solenoid to battery (178.50")	1	2890206 and up
-56	63862-16		WIRE ASSEMBLY - Solenoid to starter (37.00")	1	
-57	461 661	M	FUSEHOLDER - (552844-1)	2	
-58	461 629	M	FUSE - (311005)	2	
-59	87373-06		WIRE ASSEMBLY - Alternator to ammeter (229.0" L.)	1	
-60	69325-122	N	WIRE ASSEMBLY - Ground (9.3" L.)	1	
-61	87742-02	Q	LIGHT ASSEMBLY - Recognition	2	28-8590001 to 2890205 incl.
-62	85402-11		LIGHT ASSEMBLY - Taxi / Recognition, right wing tip	1	2890206 and up
	85402-17		LIGHT ASSEMBLY - Landing / Recognition, left wing tip	1	2890206 and up
	472 071		* LAMP - 28 Volt (4594)	1	2890206 and up
-63	89258-08		FUSE ASSEMBLY	1	2890206 and up
-64	461 660		* FUSE HOLDER	3	2890206 and up
	461 659		* FUSE	3	2890206 and up
-65	486 684		SHUNT - Ammeter (MS91586-6)	1	2890206 and up
-66	38905-03		SWITCH ASSEMBLY - Alternator out	1	2890206 and up
	587 857		* SWITCH	1	2890206 and up
-67	584 315		RELAY - Primer switch	1	2890206 and up
-68	572 610		LIGHT - Overhead map, 28 Volt (A300-W-28)	2	2890206 and up
	761 285		LAMP - 28 Volt (A322-28)	2	2890206 and up
-69	95228-03		DIMMER ASSEMBLY - Potentiometer	2	2890206 and up
-70	571 136		KNOB	2	2890206 and up
-71	487 192		SPEAKER	2	2890206 and up
-72	572 662		LIGHT - Courtesy	1	2890206 and up
-73	89908-03		SWITCH ASSEMBLY - Courtesy light	1	2890206 and up
	688 374		* SWITCH	1	2890206 and up

When ordering, always specify Part Number, Description, and Serial Number of Aircraft

**PIPER AIRCRAFT
PA-28-181
AIRPLANE PARTS CATALOG**

Figure and Index Number	Part Number	Code	Nomenclature	No. Req.	Serial Numbers Affected
59-74	85311-04		LIGHT ASSEMBLY - Reading	2	2890206 and up
	472 027		* LAMP - 28 Volt (1495)	2	2890206 and up
	683 502		* HOLDER ASSEMBLY - Lamp	2	2890206 and up
	558 300		* CUP AND LENS ASSEMBLY	2	2890206 and up
-75	85299-05		CONTROL ASSEMBLY - Ammeter, dimmer, and voltage monitor (28 Volt)	1	2890206 and up
	475 272		* LOW VOLTAGE MONITOR - (B-00375-2) 28 Volt	1	2890206 and up
	686 814		* RELAY - 28 Volt	1	2890206 and up
-76	85378-02		PITOT HEAT SENSOR ASSEMBLY - 28 Volt	1	2890206 and up
-77	557 122		DIMMER CONTROL - 28 Volt	3	2890206 and up
-78	85359-02		BOX ASSEMBLY - Annunciator panel (complete)	1	2890206 and up
	85358-05		* COVER	1	2890206 and up
	686 813		* RELAY - (Y-J2N)	3	2890206 and up
	686 814		* RELAY - (2K-1B-126)	2	2890206 and up
	456 703		* DIODE - (IN2071A)	5	2890206 and up
	599 179		* RESISTOR - (5 Watt, 560 Ohm)	11	2890206 and up

When ordering, always specify Part Number, Description, and Serial Number of Aircraft

Reissued: September 15, 1994

**PIPER AIRCRAFT
PA-28-181
AIRPLANE PARTS CATALOG**

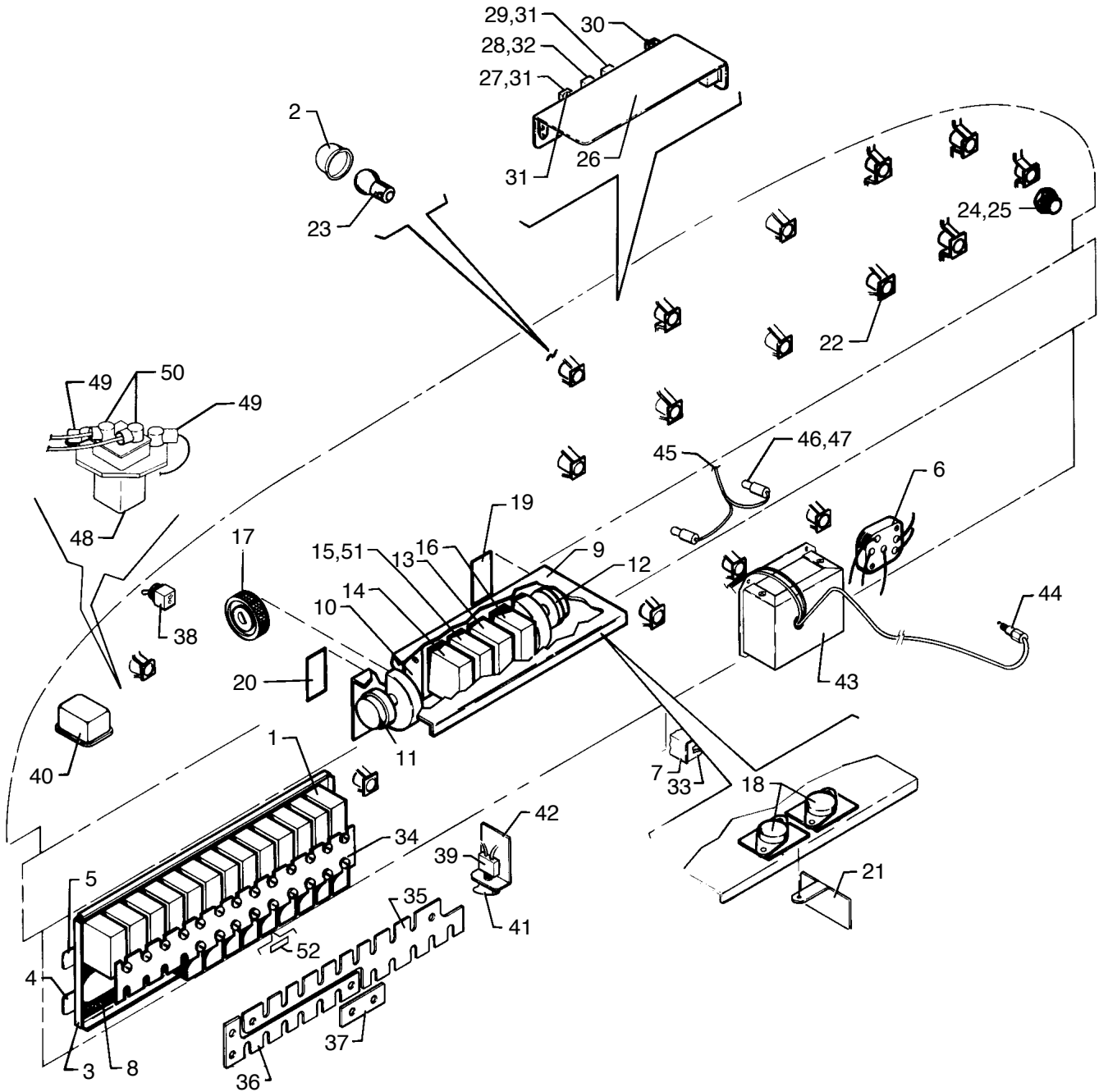


Figure 60. Instrument Panel Electrical Installation
(Serial numbers 28-7690001 thru 28-8690056, 2890001 thru 2890205)

Reissued: September 15, 1994

2C6

Island Enterprises

**PIPER AIRCRAFT
PA-28-181
AIRPLANE PARTS CATALOG**

CODE EXPLANATIONS FOR FIGURE 60

- A - If matching cabin door lock, baggage door lock, and ignition switch are desired, order Kit 470 728.
- B - If matching cabin door lock, baggage door lock, and ignition switch are desired, order Kit 87329-03
- C - See Figure 66 if wing tip strobe lights are installed.
- D - Used on serial numbers 28-7690001 to 28-8190279 inclusive, 28-8290017, 28-8290018, 28-8290028, 28-8290033, 28-8290034, and 28-8290036.
- E - Used on serial numbers 28-8190280 to 28-8290016 inclusive, 28-8290019 to 28-8290027 inclusive, 28-8290029 to 28-8290032 inclusive, 28-8290035, 28-8290037 and up.
- F - See Figure 69B for serial numbers 28-8390001 and up, if King KAP 100/150 AutoPilot is installed.
- G - Used if recognition lights are installed.

Reissued: September 15, 1994

PIPER AIRCRAFT PA-28-181 AIRPLANE PARTS CATALOG

Figure and Index Number	Part Number	Code	Nomenclature	No. Req.	Serial Numbers Affected
60-	76454		DRAWING - Electrical System Installation		
	39684		DRAWING - Carburetor Ice Detector Installation		28-8090256 and up
	36926		DRAWING - Radio Master Switch Installation		28-8090001 to 28-8290188 incl.
	39870		DRAWING - Radio Master Switch Installation		28-8390001 and up
-1	454 706		CIRCUIT BREAKER - (PS50120-1-2) 5 amp Mech. Products Inc.	AR	
	454 719		CIRCUIT BREAKER - (PS50120-1-3) 7.5 amp Mech. Products Inc.	AR	
	454 707		CIRCUIT BREAKER - (PS50120-1-5) 10 amp Mech. Products Inc.	AR	
	454 708		CIRCUIT BREAKER - (PS50120-1-7) 15 amp Mech. Products Inc.	AR	
	454 709		CIRCUIT BREAKER - (PS50120-1-9) 20 amp Mech. Products Inc.	AR	
	454 679		CIRCUIT BREAKER - (PS50120-3-1) 1 amp Wood Electric Corp.	AR	28-8090099 and up
	454 668		CIRCUIT BREAKER - (PS50120-3-8) 5 amp Wood Electric Corp.	AR	28-8090099 and up
	454 669		CIRCUIT BREAKER - (PS50120-3-13) 10 amp Wood Electric Corp.	AR	28-8090099 and up
	454 670		CIRCUIT BREAKER - (PS50120-3-15) 15 amp Wood Electric Corp.	AR	28-8090099 and up
	454 743		CIRCUIT BREAKER - (PS50120-3-36) 20 amp Wood Electric Corp.	AR	28-8090099 and up
-2	460 602		FILTER - Lunar white (1813-26)	16	
-3	35209-00		PANEL - Circuit breaker	1	
-4	69669-16		PLACARD - Circuit breaker panel	1	
-5	69669-90		PLACARD - Circuit breaker panel	1	
-6	757 597	A	SWITCH - Ignition (10-357210-1)	1	28-7690001
	688 178	B	SWITCH - Ignition (10-357200-1)	1	28-7690002 and up
-7	79205-00		COVER - Terminal strip	1	
-8	67409-03		SPACER - Circuit breaker	1	
-9	35212-00		PANEL ASSEMBLY - Switch	1	
-10	66713-00		PLATE - Switch cover	3	
-11	67436-05		POTENTIOMETER ASSEMBLY - Panel lights	1	
-12	67436-04		POTENTIOMETER ASSEMBLY - Instrument lights, Nav lights	1	
-13	99377-02		SWITCH - Fuel pump, gray	1	
-14	99377-06	C	SWITCH - Strobe light, gray	1	
-15	99377-03		SWITCH - Landing light, gray	1	
-16	99377-05		SWITCH - Master	1	28-7690001 to 28-8190264 incl.
	99377-56		SWITCH - Master	1	28-8190265 and up
-17	67437-00		KNOB - Instrument lights	2	
-18	489 400		TRANSISTOR - (2N3055)	2	
-19	69669-17		PLACARD - Instrument lights, black background	1	
-20	66970-03		PLACARD - Instrument lights, panel, black background	1	
-21	487 700		STRIP - Terminal (1064)	1	
-22	565 516		HOLDER ASSEMBLY - Instrument lamp (PS10082-1-1)	16	
-23	472 056		LAMP - (PS10008-53) Clear	20	
-24	472 054		LAMP - (PS10008-330)	1	
-25	67422-04		LIGHT - Indicator (stall warning)	1	
-26	79333-00		PANEL ASSEMBLY - Annunciator	1	
-27	67422-12		* LIGHT - Indicator (oil)	1	
-28	67422-14		* LIGHT - Indicator (alt)	1	
-29	67422-13		* LIGHT - Indicator (vac)	1	
-30	487 904		* SWITCH - (39-1)	1	
-31	472 054		* BULB - (PS10008-330)	2	
-32	453 695		* BULB - (PS10008-328)	1	

When ordering, always specify Part Number, Description, and Serial Number of Aircraft

**PIPER AIRCRAFT
PA-28-181
AIRPLANE PARTS CATALOG**

Figure and Index Number	Part Number	Code	Nomenclature	No. Req.	Serial Numbers Affected
60-33	588 464		TERMINAL STRIP - (MS27212-1-4)	1	
-34	35208-00		STRIP - Circuit breaker	1	28-7690001 to 28-7990626 incl.
-35	35208-02	F	STRIP - Circuit breaker	1	28-8090001 and up
-36	35208-03	F	STRIP - Circuit breaker	1	28-8090001 and up
-37	35208-04	F	STRIP - Circuit breaker	1	28-8090001 and up
-38	587 923		SWITCH - Radio master (PS10095-1)	1	28-8090001 and up
-39	36935-02		SWITCH ASSEMBLY - Emergency bus	1	28-8090001 and up
-40	484 209		RELAY - (PS50053-2-2)	1	28-8090001 to 28-8290188 incl.
-41	463 615		GUARD - (MS25224-1)	1	28-8090001 and up
-42	36934-02		BRACKET - Emergency bus switch	1	28-8090001 and up
-43	548 512		DETECTOR - Carburetor ice (107 AP)	1	28-8090256 and up
-44	763 496		* PROBE - Carburetor ice detector (107AP-P-P)	1	28-8090256 and up
-45	95261-00	D	LIGHT ASSEMBLY - Cluster	1	
	86414-13	E	HOLDER ASSEMBLY - Lamp	1	
-46	472 056	D	* LAMP - (PS10008-53)	2	
-47	472 086	E	LAMP - (PS10008-336)	4	
-48	584 279		RELAY - (6041H298)	1	28-8390001 and up
-49	23969-02		NIPPLE - Electrical	2	28-8390001 and up
-50	23969-03		NIPPLE - Electrical	2	28-8390001 and up
-51	99377-66	G	SWITCH - Recognition and landing lights	1	28-8590001 and up
-52	87369-53	G	PLACARD - Landing and recognition lights	1	28-8590001 and up

When ordering, always specify Part Number, Description, and Serial Number of Aircraft

Reissued: September 15, 1994

PIPER AIRCRAFT
PA-28-181
AIRPLANE PARTS CATALOG

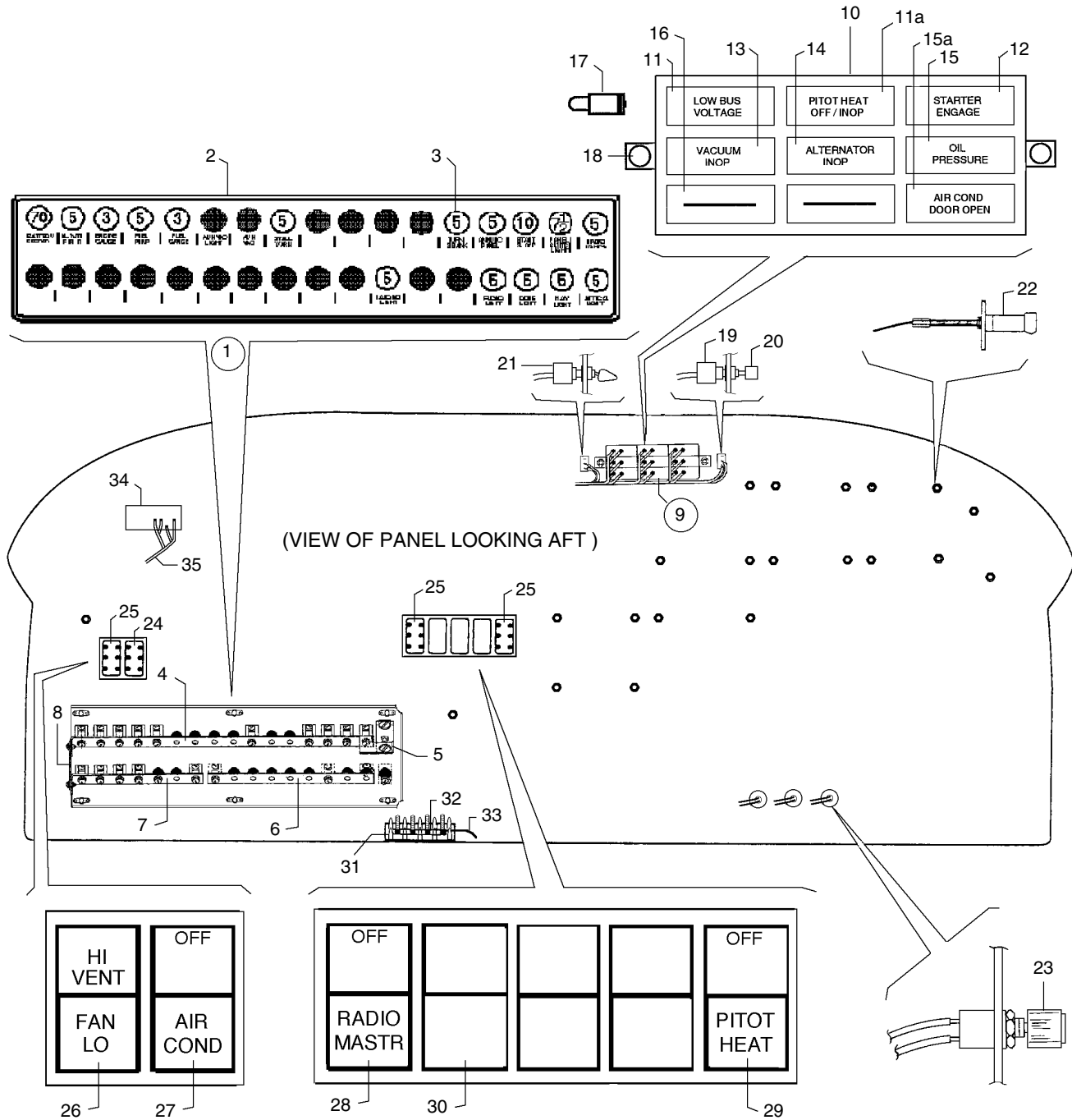


Figure 60A. Instrument Panel Electrical Installation
 (Serial numbers 2890206 and up)

Reissued: September 15, 1994

2C10

Island Enterprises

**PIPER AIRCRAFT
PA-28-181
AIRPLANE PARTS CATALOG**

CODE EXPLANATIONS FOR FIGURE 60A

- A - Used when circuit breaker is not installed.
- B - Option.

Reissued: September 15, 1994

2C11

Island Enterprises

PIPER AIRCRAFT PA-28-181 AIRPLANE PARTS CATALOG

Figure and Index Number	Part Number	Code	Nomenclature	No. Req.	Serial Numbers Affected
60A-	85370		DRAWING - Electrical Installation		2890206 and up
	85375		DRAWING - Circuit Breaker Panel Assembly - Complete		2890206 and up
	85372		DRAWING - Annunciator Panel Assembly - Complete		2890206 and up
-1	85375-03		PANEL ASSEMBLY - Circuit breaker (Complete)	1	
-2	85374-02		* PANEL ASSEMBLY - Circuit breaker	1	
-3	454 736		* CIRCUIT BREAKER - 3 amp	AR	
	454 738		* CIRCUIT BREAKER - 5 amp	AR	
	454 739		* CIRCUIT BREAKER - 7.5 amp	AR	
	454 732		* CIRCUIT BREAKER - 10 amp	AR	
	687 800		* CIRCUIT BREAKER - 70 amp	AR	
	581 657	A	* PLUG BUTTON	AR	
-4	89276-11		* BUS	1	
-5	89276-15		* BUS	1	
-6	89276-13		* BUS	1	
-7	89276-12		* BUS	1	
-8	89276-14		* BUS	1	
-9	85372-03		PANEL ASSEMBLY - Annunciator (Complete)	1	
	456 703		* DIODE	20	
-10	89452-04		* LIGHT ASSEMBLY - Indicator (599 553)	1	
-11	89452-18		** CAP - LOW BUS VOLTAGE, red (653 631)	1	
-11a	89452-34		** CAP - PITOT HEAT OFF / INOP, amber (654 506)	1	
-12	89452-35		** CAP - STARTER ENGAGE, red (654 508)	1	
-13	89452-32		** CAP - VACUUM INOP, amber	1	
-14	89452-33		** CAP - ALTERNATOR INOP, red	1	
-15	89452-21		** CAP - OIL PRESSURE, amber	1	
-15a	89452-25	B	** CAP - AIR COND DOOR OPEN, amber (653 633)	1	
-16	89452-26		** CAP - Green with black line	AR	
-17	472 028		** LAMP	18	
-18	514 758		SCREW - (MS24693C6B)	2	
-19	688 175		SWITCH - Press to test (MPA-106F)	1	
-20	653 588		CAP - Switch (C-22)	1	
-21	688 426		SWITCH - Day / night (MTA106D)	1	
-22	572 625		LIGHT ASSEMBLY - Instrument post (75619-06)	21	
	472 028		LAMP	21	
-23	571 192		KNOB - Dimmer control	3	
-24	688 298		SWITCH	1	
	561 027		FILTER	2	
	472 200		LAMP	2	
-25	688 296		SWITCH	3	
	561 027		FILTER	6	
	472 200		LAMP	6	
-26	84622-93		CAP - Switch, HI VENT / FAN LO (654 505)	1	
-27	84622-90	B	CAP - Switch, AIR COND (654 502)	1	
-28	84622-17		CAP - Switch, RADIO MASTR (653 516)	1	
-29	84622-25		CAP - Switch, PITOT HEAT (653 524)	1	
-30	687 211		SPACER	AR	
-31	588 464		TERMINAL STRIP - (MS27212-1-4)	1	
-32	35207-00		BUS	1	
-33	79151-00		WIRE ASSEMBLY - Ground	1	
-34	548 885		AMMETER - (PM-349)	1	
-35	85328-03		HARNES ASSEMBLY - Ammeter	1	

When ordering, always specify Part Number, Description, and Serial Number of Aircraft

Reissued: September 15, 1994

2C12

Island Enterprises

PIPER AIRCRAFT
PA-28-181
AIRPLANE PARTS CATALOG

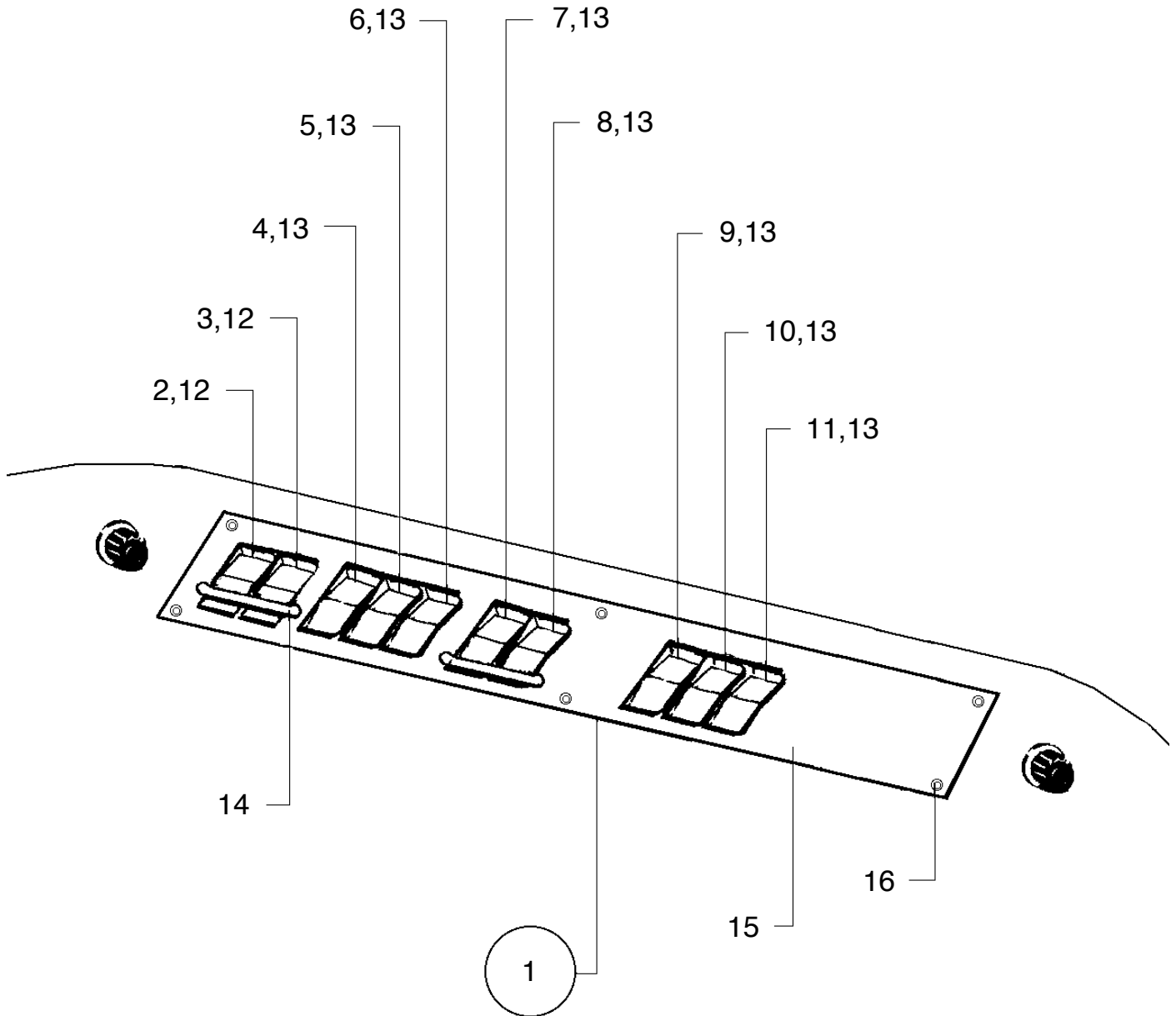


Figure 60B. Overhead Switch Panel
(Serial numbers 2890206 and up)

Reissued: September 15, 1994

2C13

Island Enterprises

**PIPER AIRCRAFT
PA-28-181
AIRPLANE PARTS CATALOG**

CODE EXPLANATIONS FOR FIGURE 60B

Reissued: September 15, 1994

2C14

Island Enterprises

**PIPER AIRCRAFT
PA-28-181
AIRPLANE PARTS CATALOG**

Figure and Index Number	Part Number	Code	Nomenclature	No. Req.	Serial Numbers Affected
60B-	85429		DRAWING - Overhead Switch Panel Assembly		2890206 and up
-1	85429-02		PANEL ASSEMBLY - Overhead switch	1	
-2	84622-34		* CAP - Switch (START) (653 527)	1	
-3	84622-35		* CAP - Switch (PRIME) (653 528)	1	
-4	84622-84		* CAP - Switch (OFF / BATT MASTR) (654 495)	1	
-5	84622-85		* CAP - Switch (OFF / ALTR) (654 496)	1	
-6	84622-68		* CAP - Switch (OFF / FUEL PUMP) (654 480)	1	
-7	84622-08		* CAP - Switch (OFF / MAG LEFT) (653 507)	1	
-8	84622-09		* CAP - Switch (OFF / MAG RIGHT) (653 508)	1	
-9	84622-10		* CAP - Switch (OFF / LDG LIGHT) (653 509)	1	
-10	84622-13		* CAP - Switch (OFF / NAV LIGHT) (653 512)	1	
-11	84622-12		* CAP - Switch (OFF / STROB LIGHT) (653 511)	1	
-12	688 297		* SWITCH	2	
	561 027		* FILTER	4	
	472 200		* LAMP	4	
-13	688 296		* SWITCH	8	
	561 027		* FILTER	16	
	472 200		* LAMP	16	
-14	53916-00		* GUARD	2	
-15	84265-02		* PLATE	1	
-16	510 306		SCREW	6	

When ordering, always specify Part Number, Description, and Serial Number of Aircraft

Reissued: September 15, 1994

2C15

Island Enterprises

**PIPER AIRCRAFT
PA-28-181
AIRPLANE PARTS CATALOG**

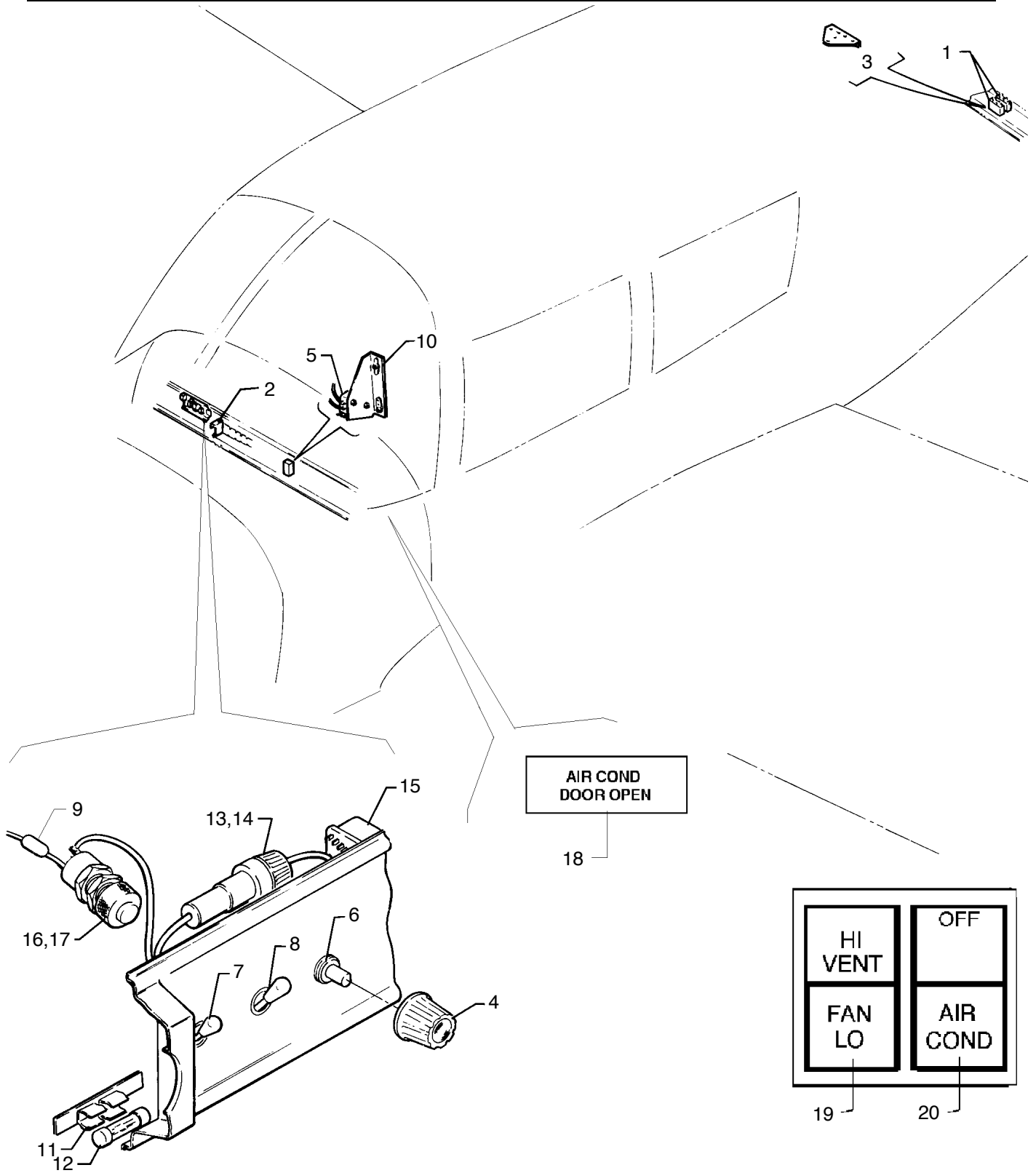


Figure 61. Air Conditioning Electrical Installation

Reissued: September 15, 1994

2C16

Island Enterprises

**PIPER AIRCRAFT
PA-28-181
AIRPLANE PARTS CATALOG**

CODE EXPLANATIONS FOR FIGURE 61

A - Order part for serial numbers 28-7890162 and up, if four position fan switch has been replaced with a three position fan switch.

Reissued: September 15, 1994

2C17

Island Enterprises

**PIPER AIRCRAFT
PA-28-181
AIRPLANE PARTS CATALOG**

Figure and Index Number	Part Number	Code	Nomenclature	No. Req.	Serial Numbers Affected
61-	99979		DRAWING - Air Conditioning Electrical Installation		
-1	484 209		RELAY	2	
	686 820		RELAY	2	2890206 and up
-2	454 709		CIRCUIT BREAKER - 20 amp	1	
	454 743		CIRCUIT BREAKER - 20 amp	1	
	454 732		CIRCUIT BREAKER - 10 amp	1	2890206 and up
-3	99862-00		MOUNT ASSEMBLY -Relay	1	
-4	571 162		KNOB - Control head (RB-67-1-SB-M)	3	
-5	487 925		SWITCH - Throttle limit (V3-1)	1	
-6	99717-00		THERMOSTAT - Air conditioning	1	
-7	587 903		SWITCH - (MS35058-22)	1	
-8	763 815	A	SWITCH REPLACEMENT KIT - Fan (four position)	1	28-7690001 to 28-7890161 incl.
	688 235		SWITCH - (8946K942) (three position)	1	28-7890162 to 2890205 incl.
-9	484 467		RESISTOR - (4392)	1	
-10	67196-00		BRACKET ASSEMBLY - Throttle limit switch support	1	
	67196-05		BRACKET ASSEMBLY - Throttle limit switch support	1	2890206 and up
-11	99999-00		HOLDER ASSEMBLY - Fuse	1	
-12	461 629		* FUSE - (311005)	2	
-13	465 258		HOLDER - Fuse (155020)	3	
-14	461 629		FUSE - (311005)	3	
-15	484 209		RELAY - (PS50053-2-2)	1	
-16	472 844		LIGHT - (MS25041-4)	1	
-17	472 054		BULB - (PS10008-330)	1	
-18	89452-25		CAP - Annunciator, AIR COND DOOR OPEN, amber (653 633)	1	2890206 and up
	472 028		LAMP	1	2890206 and up
-19	688 298		SWITCH	1	2890206 and up
	84622-93		CAP - Switch, HI VENT / FAN LO (654 505)	1	2890206 and up
	561 027		FILTER	2	2890206 and up
	472 200		LAMP	2	2890206 and up
-20	688 296		SWITCH	1	2890206 and up
	84622-90		CAP - Switch, AIR COND (654 502)	1	2890206 and up
	561 027		FILTER	2	2890206 and up
	472 200		LAMP	2	2890206 and up

When ordering, always specify Part Number, Description, and Serial Number of Aircraft

Reissued: September 15, 1994

2C18

Island Enterprises

**PIPER AIRCRAFT
PA-28-181
AIRPLANE PARTS CATALOG**

THIS PAGE INTENTIONALLY LEFT BLANK

Reissued: September 15, 1994

2C19

Island Enterprises

**PIPER AIRCRAFT
PA-28-181
AIRPLANE PARTS CATALOG**

THIS PAGE INTENTIONALLY LEFT BLANK

PIPER AIRCRAFT
PA-28-181
AIRPLANE PARTS CATALOG

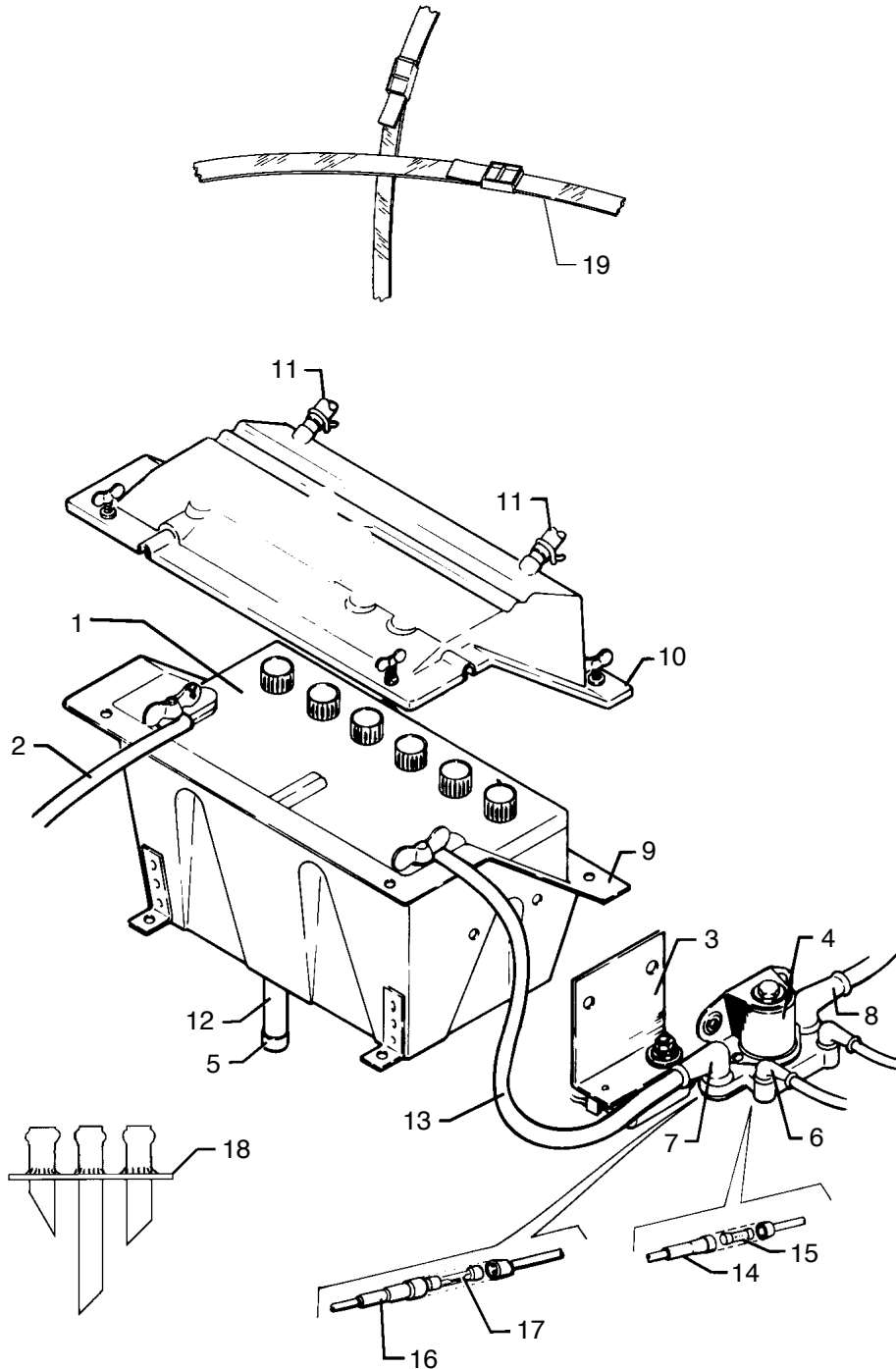


Figure 62. Battery Installation
(Serial numbers 28-7690001 thru 28-8690056, 2890001 thru 2890205)

Reissued: September 15, 1994

2C21

Island Enterprises

**PIPER AIRCRAFT
PA-28-181
AIRPLANE PARTS CATALOG**

CODE EXPLANATIONS FOR FIGURE 62

A - For location of vent assembly, see Figure 12, Fuselage Aft Section.

**PIPER AIRCRAFT
PA-28-181
AIRPLANE PARTS CATALOG**

Figure and Index Number	Part Number	Code	Nomenclature	No. Req.	Serial Numbers Affected
62-1	450 030		BATTERY - 25 amp-hour	1	
	450 035		BATTERY - 35 amp-hour	1	
-2	78140-33		WIRE ASSEMBLY - Ground (12.00")	1	
-3	62279-00		DIODE ASSEMBLY - Master relay	1	
-4	455 151		CONTACTOR - Power relay (6041H105A)	1	
-5	454 161		CAP - Vent (1704-9-Y)	1	28-7690001 to 28-8690047 incl.
-6	23969-02		NIPPLE - Electrical	2	
-7	23969-05		NIPPLE - Electrical	1	
-8	66580-02		NIPPLE - Terminal (476 695)	1	
-9	35202-00		BOX ASSEMBLY - Battery	1	
-10	35201-00		COVER ASSEMBLY - Battery box	1	
-11	63904-06		HOSE - Battery vent, left (19`` L.)	2	
-12	63904-20		HOSE - Battery vent, bottom (18`` L.)	1	
-13	78140-39		WIRE ASSEMBLY - Solenoid to battery	1	28-7690001 to 28-8290061 incl.
-14	79595-19		FUSE ASSEMBLY - Voltage spike suppression	1	28-8190001 and up
-15	461 657		* FUSE - (312001) 1 amp	1	28-8190001 and up
-16	79595-20		FUSE ASSEMBLY - Hour meter and clock	1	28-8290062 and up
-17	461 629		* FUSE - (311005) 5 amp	1	28-8290062 and up
-18	63947-00	A	VENT ASSEMBLY - Battery	1	
-19	687 604		STRAP ASSEMBLY - (FDC 7730)	2	28-8590035 and up

When ordering, always specify Part Number, Description, and Serial Number of Aircraft

Reissued: September 15, 1994

2C23

Island Enterprises

PIPER AIRCRAFT
PA-28-181
AIRPLANE PARTS CATALOG

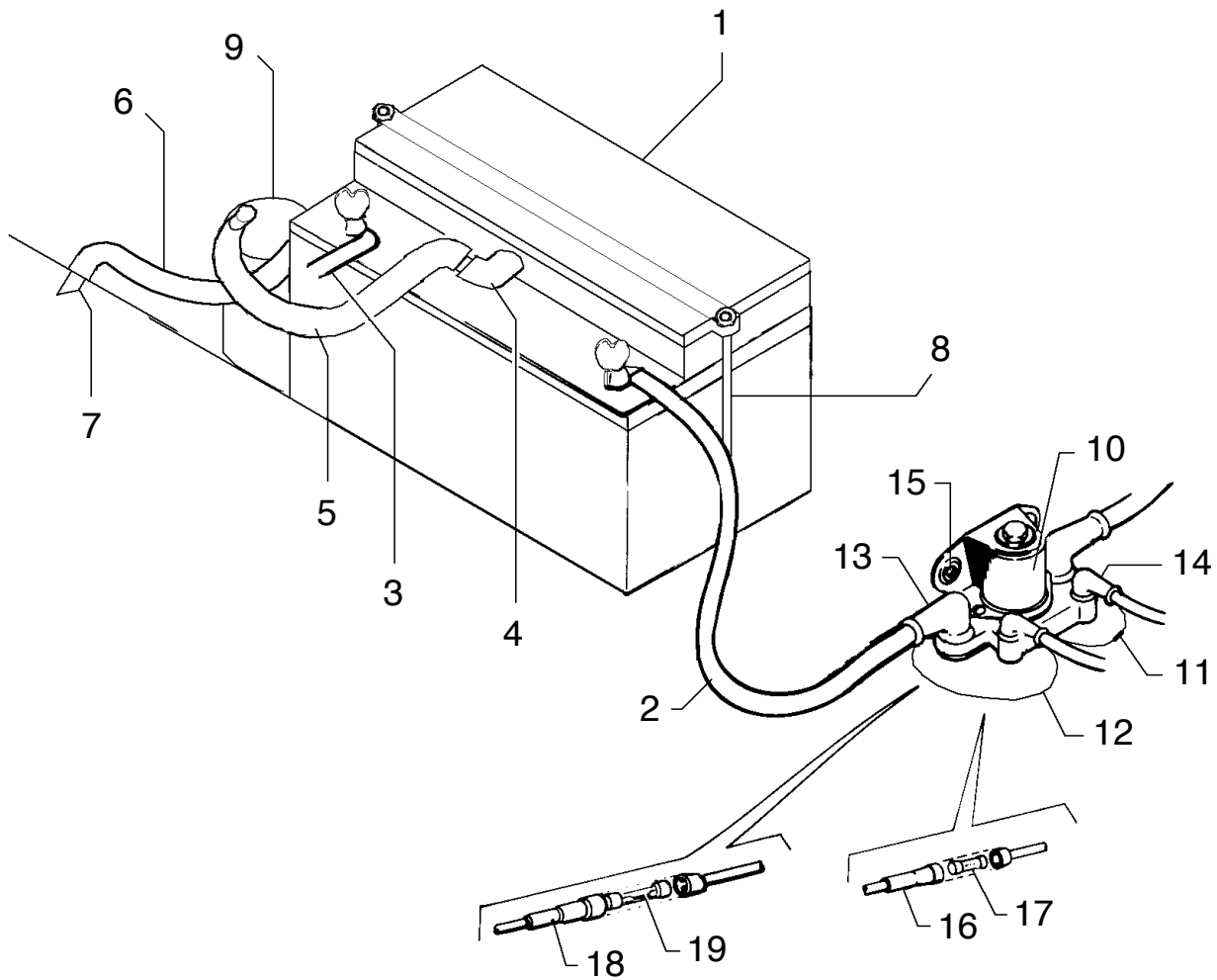


Figure 62A. Battery Installation
(Serial numbers 2890206 and up)

Reissued: September 15, 1994

2C24

Island Enterprises

**PIPER AIRCRAFT
PA-28-181
AIRPLANE PARTS CATALOG**

CODE EXPLANATIONS FOR FIGURE 62A

Reissued: September 15, 1994

2D1

Island Enterprises

**PIPER AIRCRAFT
PA-28-181
AIRPLANE PARTS CATALOG**

Figure and Index Number	Part Number	Code	Nomenclature	No. Req.	Serial Numbers Affected
62A-	85418		DRAWING - Battery Installation		2890206 and up
-1	450 101		BATTERY - 24 Volt (G-243)	1	
-2	78140-39		WIRE ASSEMBLY - Positive	1	
-3	85418-04		WIRE ASSEMBLY - Ground	1	
-4	559 031		ELBOW	2	
-5	84431-03		TUBE	1	
-6	85418-03		TUBE	1	
-7	85412-02		VENT TUBE	1	
-8	400 496		BOLT - (AN3-73A)	2	
	407 800		WASHER - (AN970-3)	2	
	84316-02		INSULATOR	2	
-9	468 029		SUMP JAR KIT	1	
	487 768		* SUMP JAR	1	
	557 370		* COVER ASSEMBLY	1	
	686 046		* SEAL	1	
	680 145		* FELT PAD	1	
-10	455 211		CONTACTOR - 24 Volt	1	
-11	89803-06		DIODE ASSEMBLY	1	
-12	89803-05		WIRE ASSEMBLY	1	
-13	66580-02		NIPPLE	3	
-14	23969-03		NIPPLE	2	
-15	411 532		SCREW - (MS35207-263)	2	
	407 564		WASHER - (AN960-10)	2	
-16	79595-25		FUSE ASSEMBLY - Courtesy light	1	
-17	461 629		* FUSE - 5 amp	1	
-18	79595-20		FUSE ASSEMBLY - Clock and hour meter	1	
-19	461 629		* FUSE - 5 amp	1	

When ordering, always specify Part Number, Description, and Serial Number of Aircraft

Reissued: September 15, 1994

2D2

Island Enterprises

PIPER AIRCRAFT
PA-28-181
AIRPLANE PARTS CATALOG

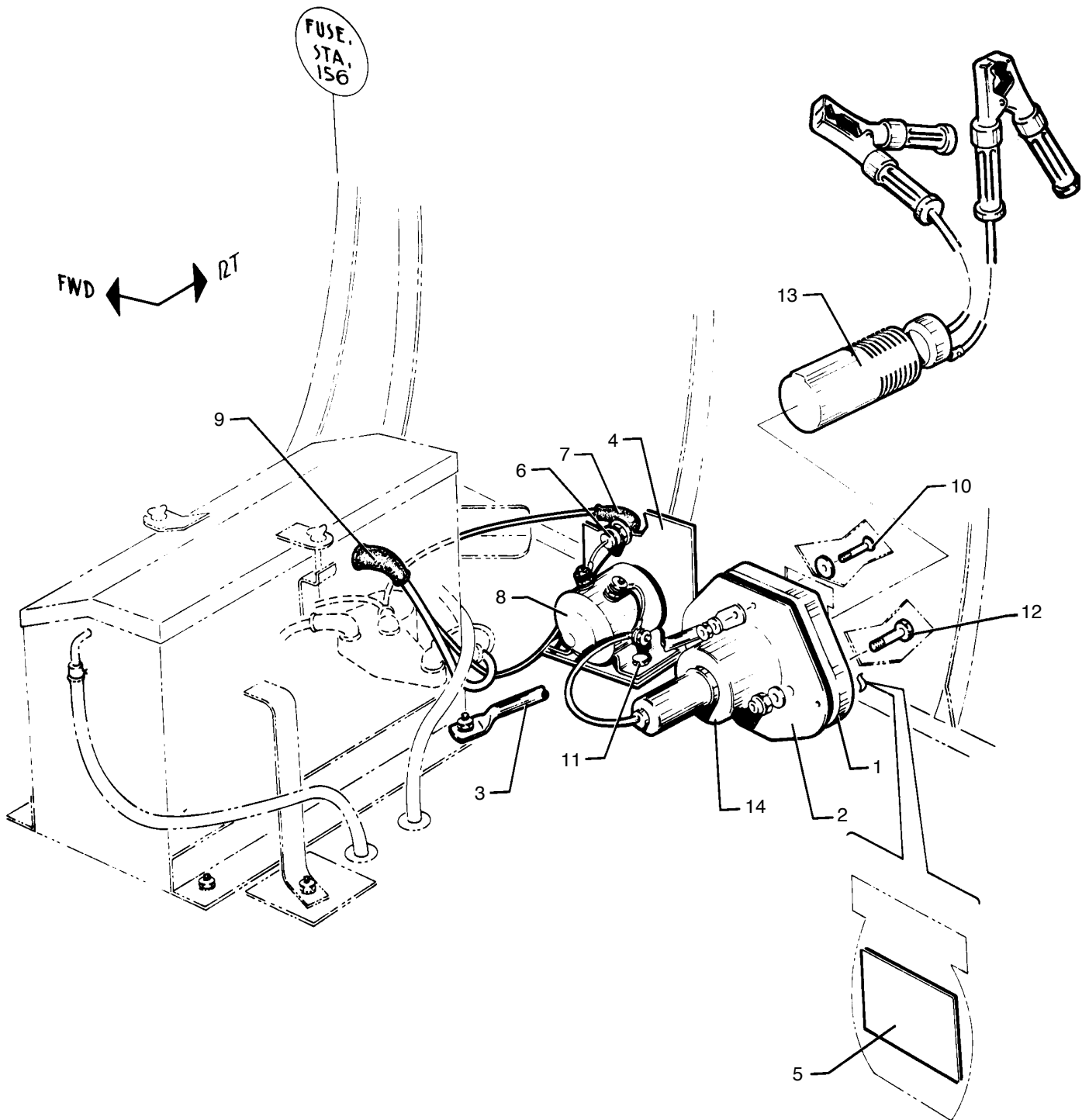


Figure 63. External Power Supply Installation
(Serial numbers 28-7690001 thru 28-8690056, 2890001 thru 2890205)

Reissued: September 15, 1994

**PIPER AIRCRAFT
PA-28-181
AIRPLANE PARTS CATALOG**

CODE EXPLANATIONS FOR FIGURE 63

Reissued: September 15, 1994

2D4

Island Enterprises

**PIPER AIRCRAFT
PA-28-181
AIRPLANE PARTS CATALOG**

Figure and Index Number	Part Number	Code	Nomenclature	No. Req.	Serial Numbers Affected
63-	79454		DRAWING - External Power Supply Installation		
-1	62226-00		SPACER - Auxiliary power receptacle	1	
-2	62227-00		PLATE - Auxiliary power receptacle	1	
-3	65649-00		TUBE - Auxiliary power receptacle support	1	
-4	68198-00		SUPPORT - Diode mounting	1	
-5	69669-173		PLACARD - External power	1	
-6	456 728		DIODE - (IN3208)	1	
-7	476 673		NIPPLE - (MS25171-1S)	1	
-8	484 373		DC POWER CONTACTOR	1	
-9	66580-02		BOOT - (476 695)	1	
-10	416 794		SCREW - (AN507-1032R14)	4	
	494 087		WASHER - (A3235-020-1)	4	
	407 564		WASHER - (AN960-10)	4	
	404 835		NUT - (MS20364-1032C)	4	
-11	400 002		BOLT - (AN4-5A)	2	
	407 565		WASHER - (AN960-416)	2	
	404 888		NUT - (MS20365-428C)	2	
-12	400 728		BOLT - (AN25-11A)	2	
	407 566		WASHER - (AN960-516)	2	
	407 106		WASHER - (AN935-516)	2	
	404 323		NUT - (AN316-5R)	2	
-13	89097-02		PLUG ASSEMBLY - Power connector	1	
-14	89097-03		SOCKET ASSEMBLY - Power connector	1	

When ordering, always specify Part Number, Description, and Serial Number of Aircraft

Reissued: September 15, 1994

PIPER AIRCRAFT
PA-28-181
AIRPLANE PARTS CATALOG

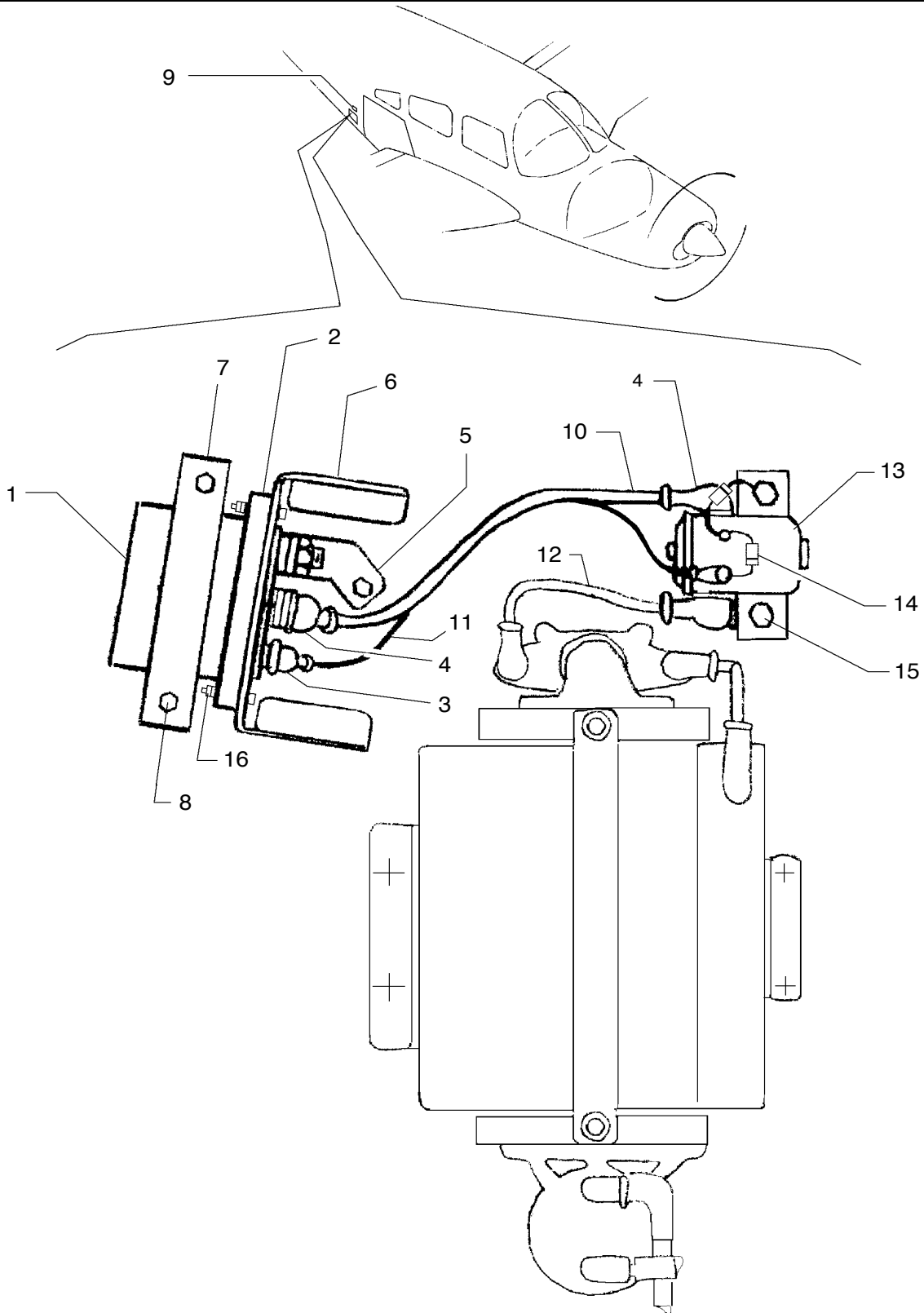


Figure 63A. Auxiliary Power Receptacle Installation
(Serial numbers 2890206 and up)

Reissued: September 15, 1994

2D6

Island Enterprises

**PIPER AIRCRAFT
PA-28-181
AIRPLANE PARTS CATALOG**

CODE EXPLANATIONS FOR FIGURE 63A

Reissued: September 15, 1994

2D7

Island Enterprises

**PIPER AIRCRAFT
PA-28-181
AIRPLANE PARTS CATALOG**

Figure and Index Number	Part Number	Code	Nomenclature	No. Req.	Serial Numbers Affected
63A-	85419		DRAWING - Auxiliary Power Receptacle Installation		2890206 and up
-1	42513-04		DOOR ASSEMBLY - Auxiliary power receptacle	1	
-2	484 125		RECEPTACLE - (MS3506-1)	1	
-3	476 673		BOOT - (MS25171-1S)	2	
-4	476 676		BOOT - (MS25171-4S)	3	
-5	73508-02		STRAP	1	
-6	73290-02		BRACKET	1	
-7	74075-02		BLOCK	1	
	74075-03		BLOCK	1	
-8	401 429		BOLT - (AN4-44)	2	
	407 565		WASHER - (AN960-416)	2	
-9	69669-205		DECAL	1	
-10	85419-03		WIRE ASSEMBLY	1	
-11	85419-04		WIRE ASSEMBLY	1	
-12	85419-05		WIRE ASSEMBLY	1	
-13	26898-05		RELAY	1	
-14	67487-04		DIODE ASSEMBLY	2	
-15	400 438		BOLT - (AN3-4A)	2	
	407 564		WASHER - (AN960-10)	2	
-16	400 441		BOLT - (AN3-7A)	4	
	407 564		WASHER - (AN960-10)	4	
	404 887		NUT - (MS20365-1032C)	4	

When ordering, always specify Part Number, Description, and Serial Number of Aircraft

Reissued: September 15, 1994

2D8

Island Enterprises

PIPER AIRCRAFT
PA-28-181
AIRPLANE PARTS CATALOG

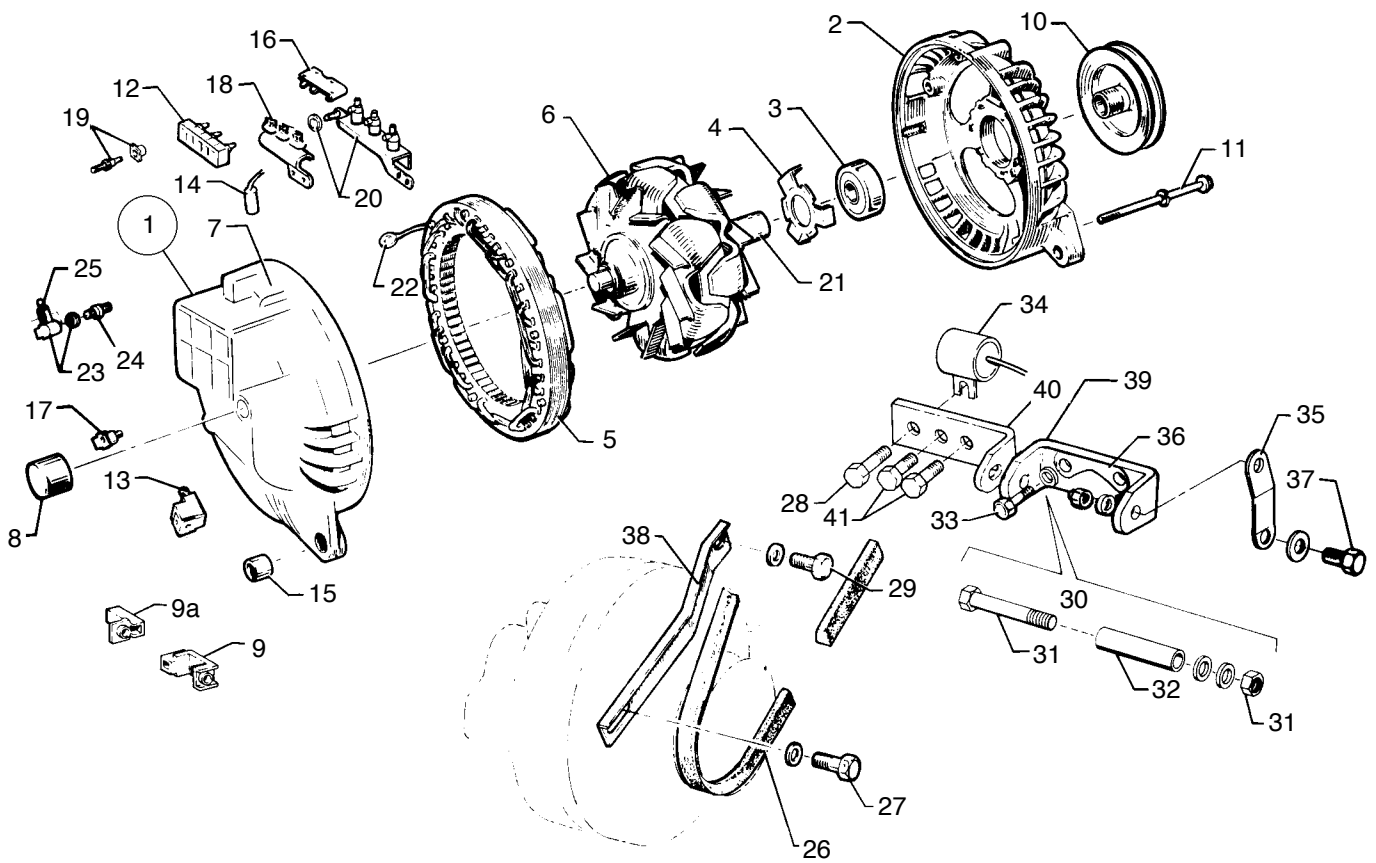


Figure 64. Alternator Assembly and Installation (Chrysler)
(See Code A)

Reissued: September 15, 1994

**PIPER AIRCRAFT
PA-28-181
AIRPLANE PARTS CATALOG**

CODE EXPLANATIONS FOR FIGURE 64

- A - Refer to Figures 56 and 65 if air conditioning is installed.
- B - Used with Alternator Assembly p/n 69670-03 (Chrysler no. 3656624) only.
- C - Used with Alternator Assembly p/n 69670-04 (Chrysler no. 4111810) only.
- D - If Alternator/Capacitor Mounting Kit 764 347 has been installed per Service Spares Letter 366A, order part for serial numbers 28-8290135 and up.
- E - Also used on serial numbers 28-7690001 to 28-8290134 inclusive, if Alternator/Capacitor Mounting Kit 764 347 has been installed per Service Spares Letter 366A.

**PIPER AIRCRAFT
PA-28-181
AIRPLANE PARTS CATALOG**

Figure and Index Number	Part Number	Code	Nomenclature	No. Req.	Serial Numbers Affected
64-	99935 87323		DRAWING - Alternator Installation DRAWING - Alternator Installation		28-7690001 to 28-8190015 incl. 28-8190016 and up
-1	69670-04		ALTERNATOR ASSEMBLY - (Chrysler no. 4111810)	1	
-2	756 159	B	* SHIELD ASSEMBLY - Drive end (2098634)	1	
	762 490	C	* SHIELD ASSEMBLY - Drive end (4111822)	1	
-3	753 375	B	* BEARING - Drive end shield (2098478)	1	
	758 575	C	* BEARING - Drive end shield (3656444)	1	
-4	755 846		* PLATE - Bearing retainer (2095012)	1	
-5	757 745	B	* STATOR ASSEMBLY - (3438768)	1	
	762 489	C	* STATOR ASSEMBLY - (4111804)	1	
-6	756 065	B	* ROTOR ASSEMBLY - (3656632)	1	
	762 628	C	* ROTOR ASSEMBLY - (4111817)	1	
-7	757 746	B	* SHIELD ASSEMBLY - Rectifier end (3438712)	1	
	762 491	C	* SHIELD ASSEMBLY - Rectifier end (4091535)	1	
-8	753 376	B	* BEARING - Rectifier end shield (2098512)	1	
	758 576	C	* BEARING - Rectifier end shield (3755184)	1	
-9	758 369		* BRUSH HOLDER - Axial (3438159)	1	
-9a	758 580	C	* BRUSH HOLDER - Radial (4091667)	1	
-10	757 311		* PULLEY ASSEMBLY - (2642706)	1	
-11	756 757	B	* KIT - 3 Frame screws (3656470)	1	
	762 492	C	* SCREW - Frame (4111814)	3	
	763 781	C	* WASHER - (4111887)	3	
-12	761 913		* TERMINAL BLOCK - (3438729)	1	
-13	758 250	B	* BRUSH ASSEMBLY - Vertical (2095039)	1	
-14	757 981	B	* CAPACITOR - (3438725)	1	
	763 395	C	* CAPACITOR, STUD, AND INSULATOR PACKAGE - (3620793)	1	
-15	758 249	B	* BUSHING - Alternator end shield (2098052)	1	
	753 380	C	* BUSHING - Alternator end shield (2095052)	1	
-16	756 067	B	* RECTIFIER ASSEMBLY - Negative (3438721)	1	
	755 340	C	* HEAT SINK - Negative (3755114)	1	
-17	758 251	B	* BRUSH ASSEMBLY - Horizontal (3420893)	1	
-18	756 066	B	* RECTIFIER ASSEMBLY - Positive (3438727)	1	
-19	758 366	B	* BATTERY TERMINAL PACKAGE - (3620794)	1	
-20	758 573	C	* BATTERY TERMINAL AND POSITIVE HEAT SINK PACKAGE - (4240488)	1	
-21	762 629	C	* RETAINER AND SLIP RING PACKAGE - (3744889)	1	
-22	762 049	C	* TERMINAL - (3438709)	3	
-23	758 574	C	* BRUSH AND WASHER PACKAGE - (4176097)	1	
-24	762 493	C	* SCREW - (6031272)	2	
-25	762 050	C	* TERMINAL FIELD - (4111809)	1	
-26	564 852		BELT - V (73965-15)	1	
-27	401 971		BOLT - (MS20074-05-06)	1	
	407 566		WASHER - (AN960-516)	2	
	407 137		WASHER - (AN936-A516)	1	
-28	401 970	D	BOLT - (MS20074-05-05)	1	28-7690001 to 28-8290134 incl.
	401 974	E	BOLT - (MS20074-05-07)	1	28-8290135 and up
	407 144	D	WASHER - (AN936B516)	1	28-7690001 to 28-8290134 incl.
	407 106	E	WASHER - (AN935-516)	1	28-8290135 and up
-29	401 970		BOLT - (MS20074-05-05)	1	
	407 137		WASHER - (AN936-A516)	1	
-30	764 092		ALTERNATOR MOUNTING HARDWARE KIT	1	28-7690001 to 28-8190015 incl.
-31	401 424		* BOLT - (AN6-44A)	1	28-8190016 and up
	407 107		* WASHER - (AN935-616)	2	28-8190016 and up
	407 567		* WASHER - (AN960-616)	3	28-8190016 and up
	407 587		* WASHER - (AN960-616L)	4	28-8190016 and up
	404 838		* NUT - (MS20364-624C)	1	28-8190016 and up

When ordering, always specify Part Number, Description, and Serial Number of Aircraft

Reissued: September 15, 1994

2D11

Island Enterprises

**PIPER AIRCRAFT
PA-28-181
AIRPLANE PARTS CATALOG**

Figure and Index Number	Part Number	Code	Nomenclature	No. Req.	Serial Numbers Affected
64-32	86700-36		* BUSHING	1	28-8190016 and up
-33	401 970		BOLT - (MS20074-05-05)	2	28-7690001 to 28-8190015 incl.
	401 971		BOLT - (MS20074-05-06)	2	28-8190016 and up
	407 137		WASHER - (AN936-A516)	AR	28-7690001 to 28-8290134 incl.
	407 586		WASHER - (AN960-516L)	AR	28-8190016 to 28-8290134 incl.
-34	63897-06		CAPACITOR ASSEMBLY - Alternator	1	28-7690001 to 2890077 incl.
-35	78483-00		STRUT - Alternator	1	
-36	582 172		PLATE - Lock (73383)	1	
-37	401 971		BOLT - (MS20074-05-06)	1	
	62833-74		WASHER	1	
-38	63531-00		CHANNEL - Alternator support	1	
-39	65199-00	D	BRACKET - Alternator support	1	28-7690001 to 28-8290134 incl.
	65199-05	E	BRACKET - Alternator support	1	28-8290135 and up
-40	65199-04	E	BRACKET - Alternator support	1	28-8290135 and up
-41	401 971	E	BOLT - (MS20074-05-06)	2	28-8290135 and up
	407 106	E	WASHER - (AN935-516)	2	28-8290135 and up

When ordering, always specify Part Number, Description, and Serial Number of Aircraft

Reissued: September 15, 1994

2D12

Island Enterprises

PIPER AIRCRAFT
PA-28-181
AIRPLANE PARTS CATALOG

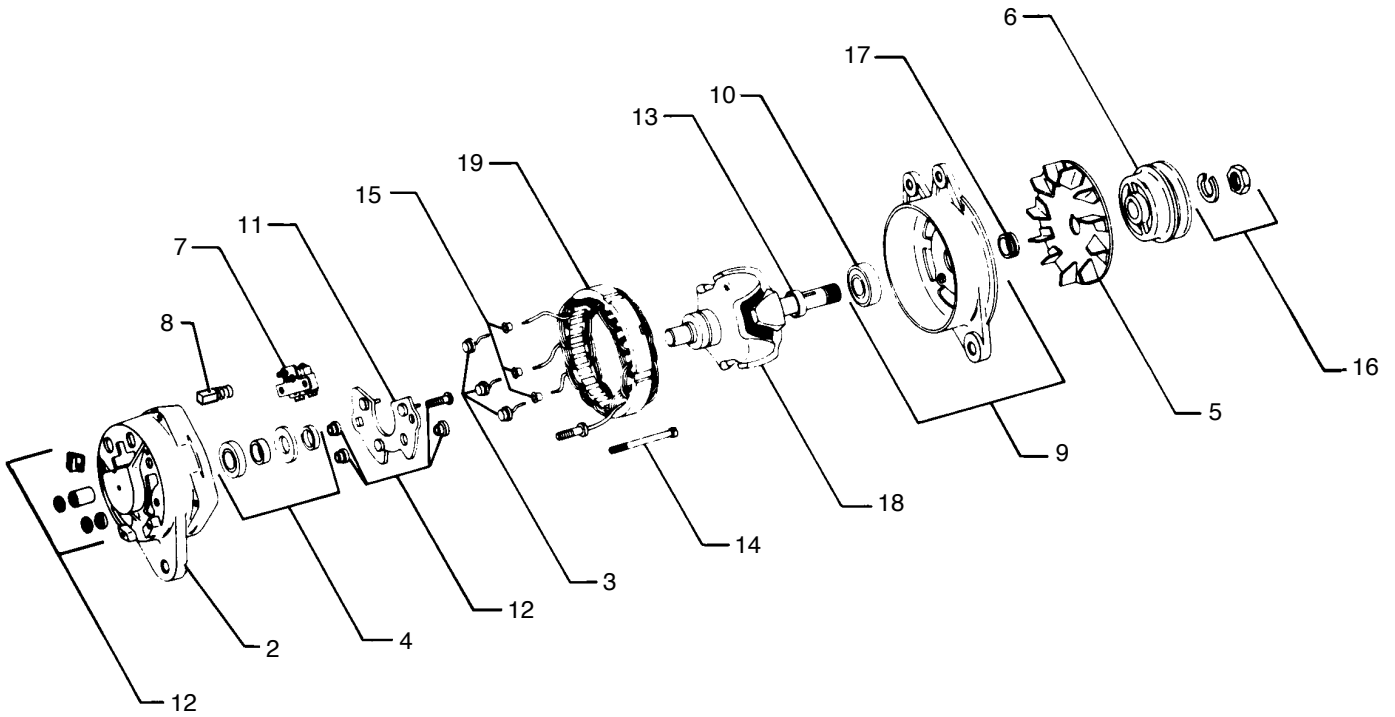


Figure 65. Alternator Assembly (Prestolite)

Reissued: September 15, 1994

2D13

**PIPER AIRCRAFT
PA-28-181
AIRPLANE PARTS CATALOG**

CODE EXPLANATIONS FOR FIGURE 65

Reissued: September 15, 1994

2D14

Island Enterprises

**PIPER AIRCRAFT
PA-28-181
AIRPLANE PARTS CATALOG**

Figure and Index Number	Part Number	Code	Nomenclature	No. Req.	Serial Numbers Affected
65-1	551 983		ALTERNATOR ASSEMBLY - Prestolite (ALY-6422)	1	
-2	755 271		* HEAD ASSEMBLY - Slip ring end (ALK-1132BS-1)	1	
-3	757 387		** PACKAGE - Rectifier, negative (XA-944JS)	1	
-4	757 386		* PACKAGE - Bearing and seal S.R.E. (90-2014)	1	
-5	754 827		* FAN ASSEMBLY - Ventilating (90-2241)	1	
-6	757 392		* PULLEY - Drive (PU-692B)	1	
-7	758 224		* BRUSH, HOLDER AND SPRING ASSEMBLY - (ALE-1045BS)	1	
-8	758 471		** BRUSH SET - Alternator (ALE-1013AS)	1	
-9	755 232		* HEAD ASSEMBLY - Drive end (ALE-1003K)	1	
-10	758 225		** BEARING - Ball, seal (X-3416)	1	
-11	756 060		* RECTIFIER AND PLATE ASSEMBLY - Positive (ALE-1054A)	1	
-12	761 903		* TERMINAL STUD AND PARTS PACKAGE - (90-2043)	1	
-13	756 061		* RETAINER - Drive end (GR-32)	1	
-14	757 388		* PACKAGE - Thru bolt (ALA-20JS)	1	
-15	757 389		* PACKAGE - Eyelet (90-818)	1	
-16	757 390		* PACKAGE - Nut and washer (90-33)	1	
-17	757 721		* SPACER - Rotor shaft (ALD-21A)	1	
-18	762 508		* ROTOR - (ALE-2177S-1)	1	
-19	757 719		* STATOR ASSEMBLY - (ALE-2008AES)	1	

When ordering, always specify Part Number, Description, and Serial Number of Aircraft

Reissued: September 15, 1994

2D15

Island Enterprises

PIPER AIRCRAFT
PA-28-181
AIRPLANE PARTS CATALOG

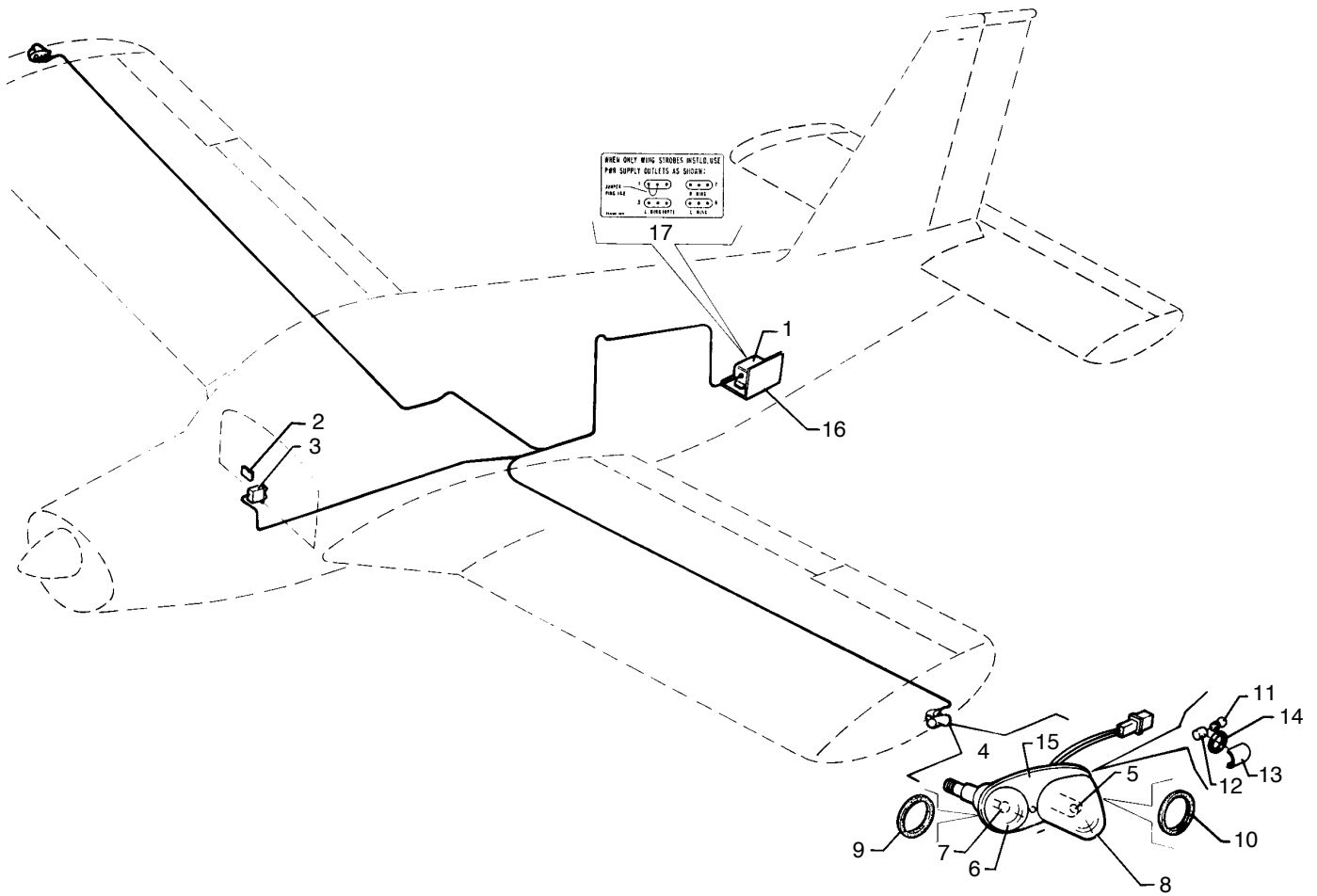


Figure 66. Strobe Lights Installation

Reissued: September 15, 1994

2D16

Island Enterprises

**PIPER AIRCRAFT
PA-28-181
AIRPLANE PARTS CATALOG**

CODE EXPLANATIONS FOR FIGURE 66

- A - Used if white strobe wing tip lights are installed.
- B - Used with white wing tip strobe only.
- C - Used with red wing tip strobe only.
- D - Used with serial numbers 28-7690001 to 28-8190250 inclusive, if red wing tip strobe is installed, and with serial numbers 28-8190251 and up.

Reissued: September 15, 1994

2D17

Island Enterprises

PIPER AIRCRAFT PA-28-181 AIRPLANE PARTS CATALOG

Figure and Index Number	Part Number	Code	Nomenclature	No. Req.	Serial Numbers Affected
66-	38221		DRAWING - Strobe Lights Installation		28-7690001 to 28-7990220 incl.
	79850		DRAWING - Wing Tip Strobe Lights Installation		28-7990221 to 28-8190250 incl.
	36789		DRAWING - Wing Tip Strobe Lights Installation		28-8190251 and up
	79850		DRAWING - Fin Tip Strobe Light Installation		28-7990221 to 28-8290036 incl.
	36789		DRAWING - Fin Tip Strobe Light Installation		28-8290037 and up
-1	763 469		POWER SUPPLY - Strobe lights	1	
	481 247		POWER SUPPLY - Strobe lights	1	2890206 and up
-2	96602-00		PLACARD - Warning (A421-1)	1	28-7690001 to 28-7990220 incl.
	69669-175		PLACARD - Warning	1	28-7990221 to 28-7990626 incl.
-3	99377-07	A	SWITCH - Strobe light, gray	1	
-4	472 896		LIGHT ASSEMBLY - Red navigation and white strobe, wing tip (shielded)	1	28-7690001 to 28-8190250 incl.
	572 557		LIGHT ASSEMBLY - Red navigation and white strobe, wing tip (shielded)	1	28-8190251 to 2890205 incl.
	572 593		LIGHT ASSEMBLY - Red navigation and white strobe, wing tip (shielded)	1	2890206 and up
	472 988		LIGHT ASSEMBLY - Red navigation and red strobe, wing tip (shielded)	1	28-7990221 to 28-8190250 incl.
	572 558		LIGHT ASSEMBLY - Red navigation and red strobe, wing tip (shielded)	1	28-8190251 and up
	472 895		LIGHT ASSEMBLY - Green navigation and white strobe, wing tip (shielded)	1	28-7690001 to 28-8190250 incl.
	572 561		LIGHT ASSEMBLY - Green navigation and white strobe, wing tip (shielded)	1	28-8190251 to 2890205 incl.
	572 592		LIGHT ASSEMBLY - Green navigation and white strobe, wing tip (shielded)	1	2890206 and up
	472 987		LIGHT ASSEMBLY - Green navigation and red strobe, wing tip (shielded)	1	28-7990221 to 28-8190250 incl.
	572 560		LIGHT ASSEMBLY - Green navigation and white strobe, wing tip (shielded)	1	28-8190251 and up
-5	761 156	B	* TUBE ASSEMBLY - Flash tip	1	28-7690001 to 28-8190250 incl.
	762 003	D	* TUBE ASSEMBLY - Flash tip	1	28-8190251 and up
-6	751 202		* LENS - Navigation, red	1	
	751 201		* LENS - Navigation, green	1	
-7	751 381		* LAMP - 14 volt (1512)	1	
	553 494		* LAMP - 28 volt (W1290-28)		2890206 and up
-8	761 162	B	* LENS AND RETAINER ASSEMBLY - Wing tip strobe (shielded)	1	28-7690001 to 28-8190250 incl.
	761 253	B	* LENS AND RETAINER ASSEMBLY - Wing tip strobe (shielded)	1	28-8190251 and up
	761 222	C	* LENS AND RETAINER ASSEMBLY - Wing tip strobe (shielded)	1	28-7690001 to 28-8190250 incl.
	761 254	C	* LENS AND RETAINER ASSEMBLY - Wing tip strobe (shielded)	1	28-8190251 and up
-9	755 075		* GASKET - Navigation light (W1283)	1	
-10	755 076		* GASKET - Wing strobe (A-427-4)	1	
-11	761 256		* LAMP - Navigation light assembly, 14 volt (A508)	1	28-8190251 to 2890205 incl.
	761 208		* LAMP - Navigation light assembly, 28 volt (A508)	1	2890206 and up
-12	762 426		* SOCKET ASSEMBLY - Navigation light (A507)	1	28-8190251 and up
-13	761 255		* LENS - Navigation light (A615)	1	28-8190251 and up
-14	755 096		* GASKET - Navigation light (A616)	1	28-8190251 and up
-15	756 037	B	* RETAINER - Light lens	1	28-7690001 to 28-8190250 incl.
	762 581	C	* RETAINER - Light lens	1	28-7990221 to 28-8190250 incl.
	762 616		* RETAINER - Light lens	1	28-8190251 and up
-16	99031-00		BRACKET ASSEMBLY - Power supply mounting	1	
-17	35669-107		PLACARD - Strobe light outlets	1	28-7890488 and up

When ordering, always specify Part Number, Description, and Serial Number of Aircraft

Reissued: September 15, 1994

2D18

Island Enterprises

**PIPER AIRCRAFT
PA-28-181
AIRPLANE PARTS CATALOG**

THIS PAGE INTENTIONALLY LEFT BLANK

Reissued: September 15, 1994

2D19

Island Enterprises

**PIPER AIRCRAFT
PA-28-181
AIRPLANE PARTS CATALOG**

THIS PAGE INTENTIONALLY LEFT BLANK

**PIPER AIRCRAFT
PA-28-181
AIRPLANE PARTS CATALOG**

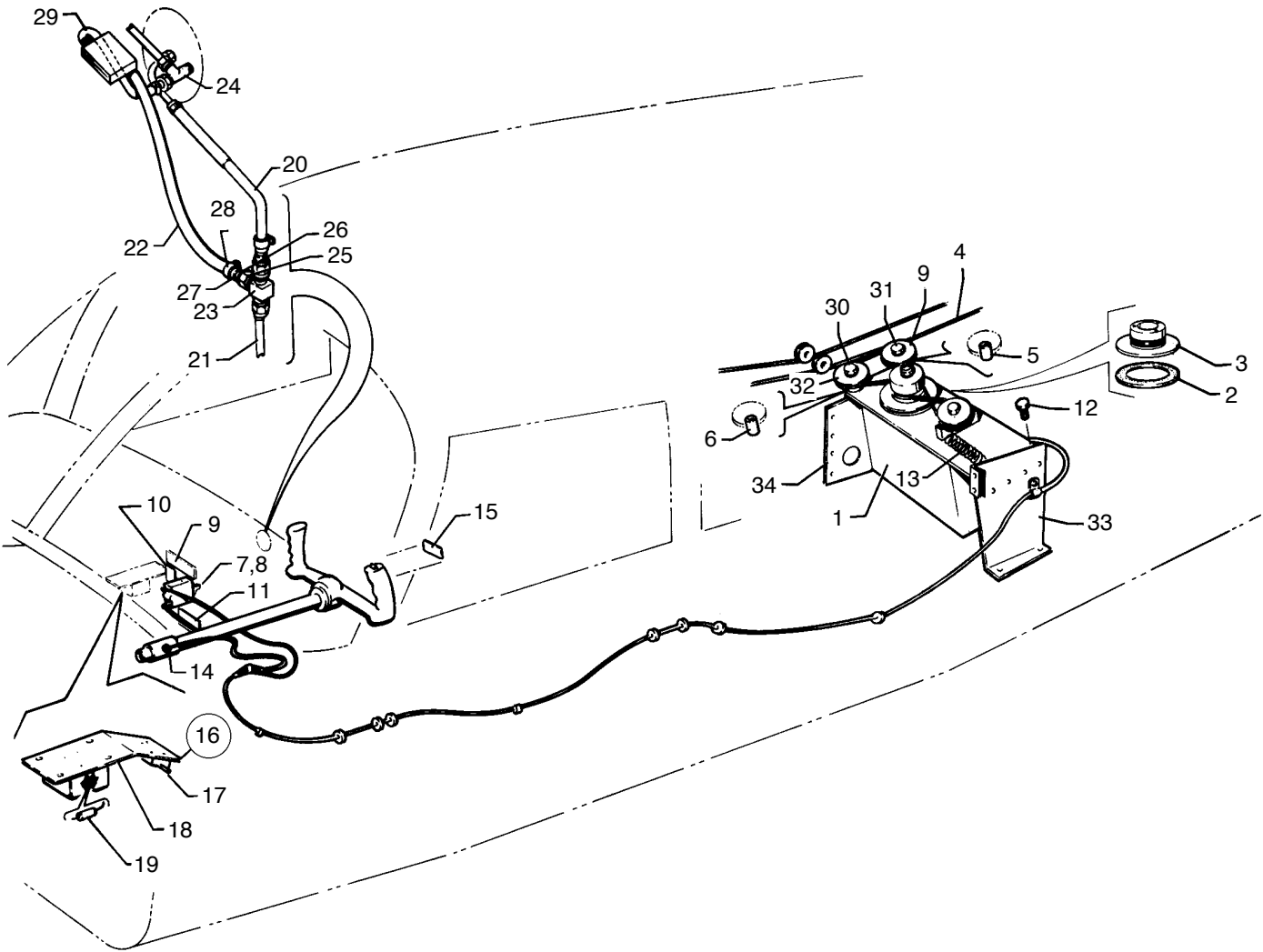


Figure 67. Electric Trim Installation

Reissued: September 15, 1994

**PIPER AIRCRAFT
PA-28-181
AIRPLANE PARTS CATALOG**

CODE EXPLANATIONS FOR FIGURE 67

- A - Used on serial numbers 28-8290091 and up. Also used on serial numbers 28-7690001 to 28-8290090 inclusive, if Pitch Trim Switch Replacement Kit 764 401 has been installed.
- B - Used if a push on-off switch is installed.

PIPER AIRCRAFT PA-28-181 AIRPLANE PARTS CATALOG

Figure and Index Number	Part Number	Code	Nomenclature	No. Req.	Serial Numbers Affected
67-	67496 79636		DRAWING - Electric Trim Installation DRAWING - Electric Trim Stop Sensor Installation		
-1	65821-05		SERVO ASSEMBLY - Trim	1	
-2	494 159		* WASHER - Servo friction (24696-00)	1	
-3	581 126		* PLATE - Servo clutch, outer (24695-00)	1	
-4	62701-111		CABLE ASSEMBLY - Front stabilator trim	1	
-5	63900-66		BUSHING - Electric trim	1	
-6	63900-67		BUSHING - Electric trim	1	
-7	764 401		PITCH TRIM SWITCH REPLACEMENT KIT	1	28-7690001 to 28-8290090 incl.
-8	587 923	A	* SWITCH - Electric trim (PS10095-1)	1	
-9	87369-38	A	* PLACARD - Pitch trim	1	
-10	87369-39	A	* PLACARD - On-off	1	
-11	67490-02	B	PLACARD - Pitch trim	1	
-12	401 266		BOLT - (AN3-5A)	2	
	407 564		WASHER - (AN960-10)	2	
	404 887		NUT - (MS20365-1032C)	2	
-13	65784-00		SPRING - Electric trim	1	
-14	434 126		GROMMET - (AN931-3-5)	1	
-15	66751-00		PLACARD - Electric trim (control wheel)	1	
-16	79657-02		SENSOR ASSEMBLY - Electric trim stop	1	
-17	486 416		* SENSOR - (MPL-501G-10 to 30)	1	
-18	484 229		* RELAY - (RS5D12)	1	
-19	484 524		* RESISTOR - (180 ohm, 1 watt, Type GB)	1	
-20	67700-125		TUBE ASSEMBLY	1	28-7690001 to 28-7790169 incl.
	67700-378		TUBE ASSEMBLY	1	28-7790170 and up
-21	67700-126		TUBE ASSEMBLY	1	28-7690001 to 28-7790169 incl.
	67700-377		TUBE ASSEMBLY	1	28-7790170 and up
-22	63913-143		HOSE	1	
-23	79636-10		TEE	1	
-24	488 310		TEE - (AN826-3D)	1	
-25	477 611		NUT - (AN818-3D)	2	
-26	486 896		SLEEVE - (MS20819-3D)	2	
-27	79636-04		TUBE	2	
-28	554 861		CLAMP - (SAE TY F-4)	4	
-29	63913-143		HOSE	1	28-7690001 to 28-7790169 incl.
	63913-151		HOSE	1	28-7790170 and up
-30	400 443		BOLT - (AN3-12A)	1	
	407 564		WASHER - (AN960-10)	1	
	404 887		NUT - (MS20365-1032C)	1	
-31	400 444		BOLT - (AN3-13A)	1	
	407 564		WASHER - (AN960-10)	1	
	404 887		NUT - (MS20365-1032C)	1	
-32	481 640		PULLEY - (MS24566-1B)	2	
-33	68674-00		BRACKET ASSEMBLY - Electric trim	1	
-34	68676-00		BRACKET - Electric trim	1	

When ordering, always specify Part Number, Description, and Serial Number of Aircraft

Reissued: September 15, 1994

PIPER AIRCRAFT
PA-28-181
AIRPLANE PARTS CATALOG

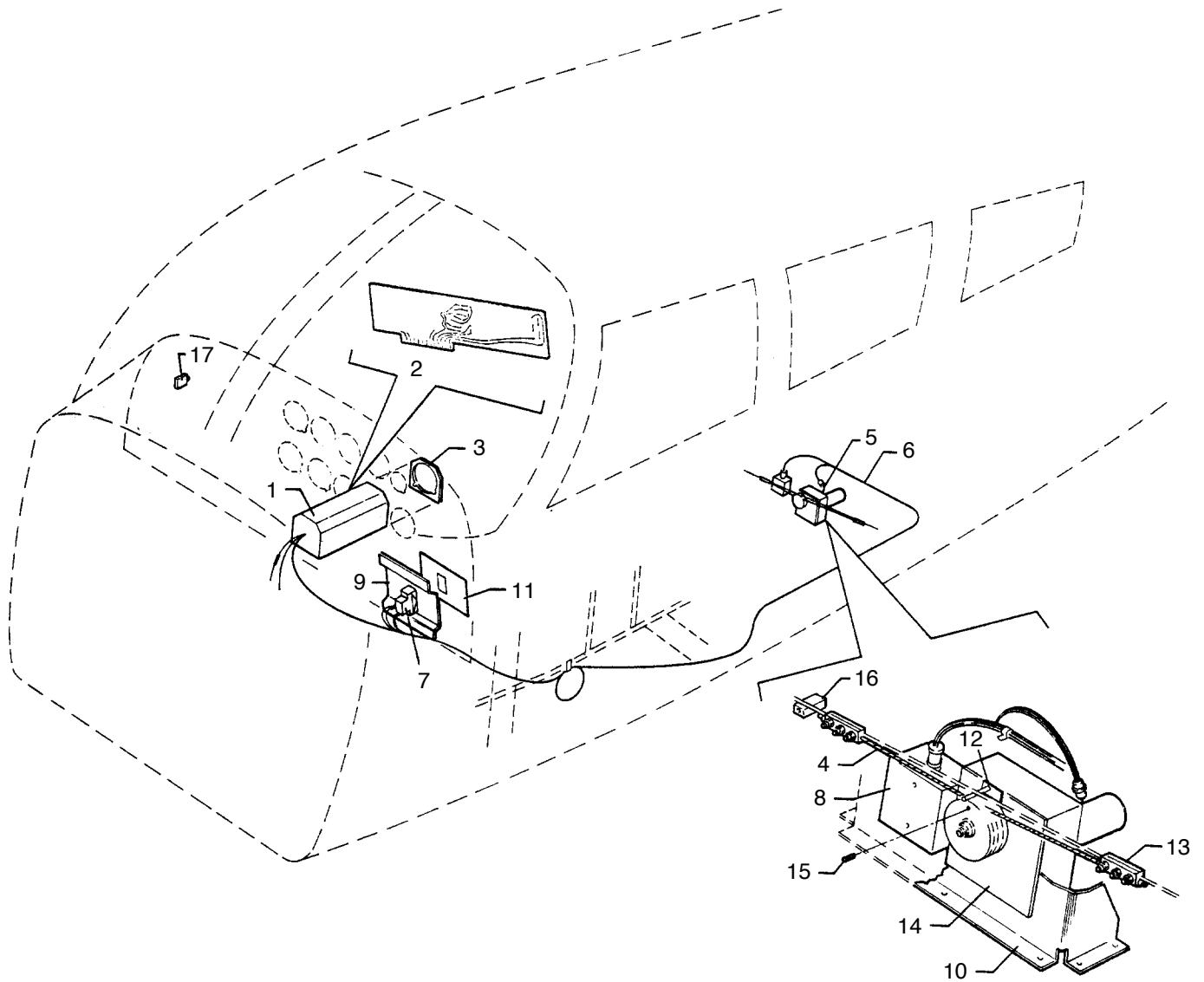


Figure 68. AutoFlite II Installation

Reissued: September 15, 1994

2D24

Island Enterprises

**PIPER AIRCRAFT
PA-28-181
AIRPLANE PARTS CATALOG**

CODE EXPLANATIONS FOR FIGURE 68

- A - Used if AutoFlite II without tracker is installed.
- B - Used if AutoFlite II with tracker is installed.

Reissued: September 15, 1994

2E1

Island Enterprises

**PIPER AIRCRAFT
PA-28-181
AIRPLANE PARTS CATALOG**

Figure and Index Number	Part Number	Code	Nomenclature	No. Req.	Serial Numbers Affected
68-	99447		DRAWING - AutoFlite II Installation		
-1	52586-02	A	INSTRUMENT - Turn and bank (52D75-3)	1	
	755 432	B	INSTRUMENT - Turn and bank (52D75-4)	1	
-2	758 188	B	* TRACKER BOARD - Printed circuit (1D628)	1	
-3	99209-00		PLATE - Turn and bank mounting	1	
-4	753 980		CABLE - Bridle (30B200)	1	
-5	758 001		CABLE ASSEMBLY - Roll servo (30C211-8R)	1	
-6	757 913		CABLE ASSEMBLY - (30C379-1)	1	
-7	487 901		SWITCH - (8134-K21A1V-50)	1	
-8	758 181		BOX - Relay (1A526)	1	
-9	66798-00		BRACKET - AutoFlite II	1	
-10	453 425		BRACKET - Servo mounting (7C511-3)	1	
-11	99448-00		PLACARD - AutoFlite II	1	
-12	751 897		GUARD - Cable (7A1696-1)	1	
-13	757 863		CLAMP ASSEMBLY - Bridle cable (42A173-1)	2	
-14	757 768		SERVO - Roll (1C363-1-430R)	1	
-15	757 579		* SET SCREW - Capstan (3S326)	1	
-16	758 296		BLOCK - Rub (7A1373)	1	
-17	454 656		CIRCUIT PROTECTOR - (PS50120-3-7) 5 amp	1	

When ordering, always specify Part Number, Description, and Serial Number of Aircraft

Reissued: September 15, 1994

2E2

Island Enterprises

PIPER AIRCRAFT
PA-28-181
AIRPLANE PARTS CATALOG

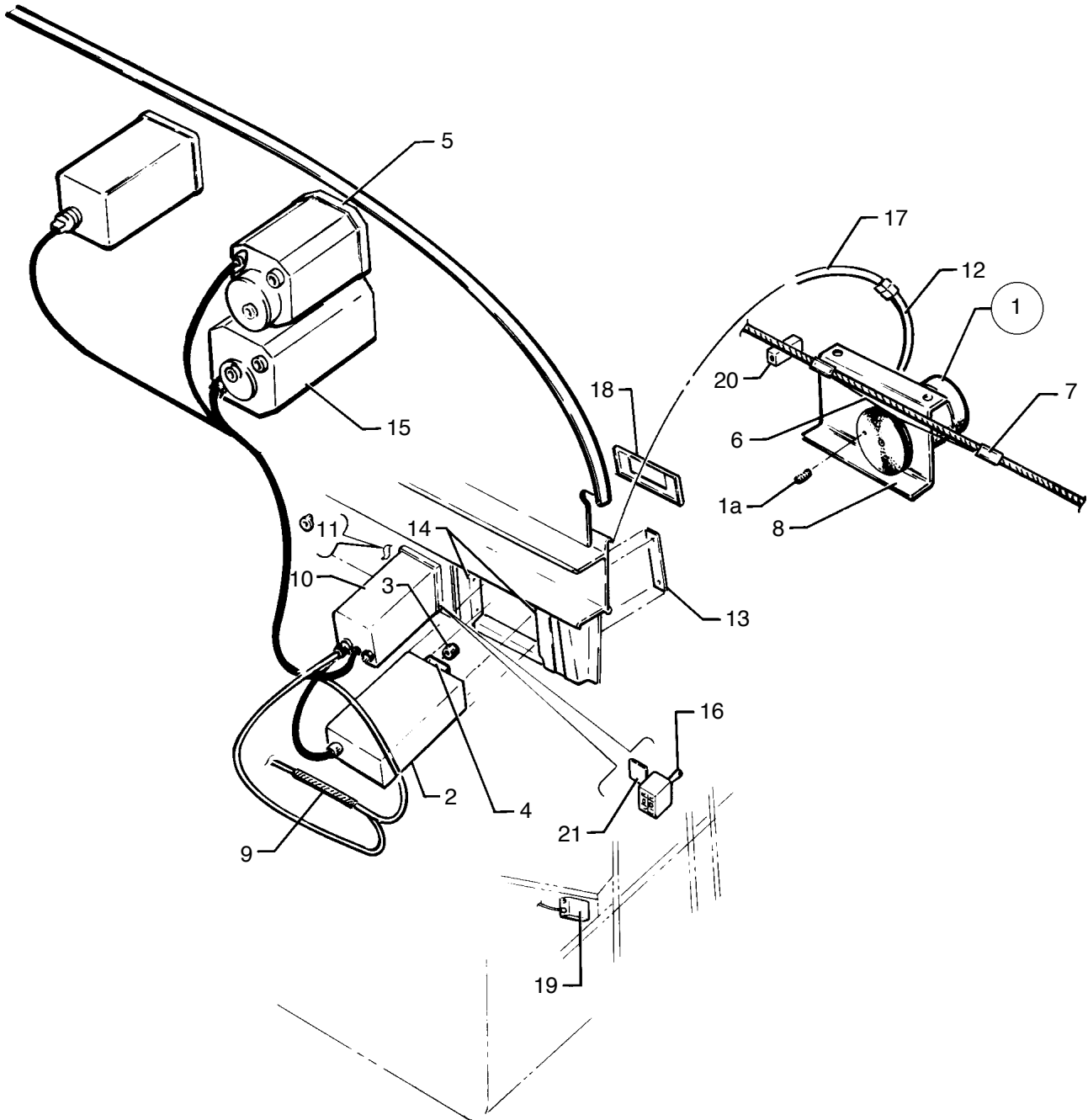


Figure 69. AutoControl III B Installation
(Serial numbers 28-7690001 to 28-8290188 inclusive)

Reissued: September 15, 1994

2E3

**PIPER AIRCRAFT
PA-28-181
AIRPLANE PARTS CATALOG**

CODE EXPLANATIONS FOR FIGURE 69

A - When ordering, specify color,

Reissued: September 15, 1994

2E4

Island Enterprises

**PIPER AIRCRAFT
PA-28-181
AIRPLANE PARTS CATALOG**

Figure and Index Number	Part Number	Code	Nomenclature	No. Req.	Serial Numbers Affected
69-	79221		DRAWING - AutoControl III and III B Installation		
-1	757 768		SERVO ASSEMBLY - Roll (1C363-1-430R)	1	
-1a	757 579		* SET SCREW - Capstan (3S326)	1	
-2	758 023		CONSOLE AMPLIFIER ASSEMBLY - AutoControl III B (1C338 S/N 10001 and up)	1	
-3	757 052		* KNOB - (36A98)	1	
-4	758 024		* CIRCUIT BOARD - Face plate light (includes 4 bulbs) (1B686)	1	
-5	550 780		INSTRUMENT - Gyro horizon (32172-00) (3 inch)	1	
-6	753 980		CABLE ASSEMBLY - Bridle (30B200)	1	
-7	757 863		CLAMP ASSEMBLY - Bridle cable (42A173-1)	2	
-8	453 425		BRACKET - Servo mounting (7C511-3)	1	
-9	751 987		HARNESS ASSEMBLY - Amplifier (30C198)	1	
-10	551 114		COUPLER ASSEMBLY - Omni (25690-00)	1	
-11	757 052		* KNOB - (36A98)	1	
-12	758 001		CABLE ASSEMBLY - Roll servo (30C211-8R)	1	
-13	67493-00		SPACER - AutoControl console	2	
-14	67494-00		ANGLE - AutoControl console support, left	1	
	67494-01		ANGLE - AutoControl console support, right	1	
-15	550 778		INSTRUMENT - Directional gyro (32168-00) (3 inch)	1	
-16	688 164		SWITCH - Omni coupler (MTG-206P)	1	
-17	757 952		CABLE ASSEMBLY - Roll servo extension (30A211-156)	1	
	758 002		CABLE ASSEMBLY - Roll servo extension (30C211-156R)	1	
-18	79560-00	A	COVER - Console amplifier assembly	1	
-19	754 836		FILTER - Roll signal (1B440-2)	1	
-20	758 296		BLOCK - Rub (7A1373)	1	
-21	69509-00		PLACARD - Omni coupler switch	1	28-7690001 to 28-7990287 incl.
	35669-126		PLACARD - Omni coupler switch	1	28-7990288 and up

When ordering, always specify Part Number, Description, and Serial Number of Aircraft

Reissued: September 15, 1994

**PIPER AIRCRAFT
PA-28-181
AIRPLANE PARTS CATALOG**

THIS PAGE INTENTIONALLY LEFT BLANK

**PIPER AIRCRAFT
PA-28-181
AIRPLANE PARTS CATALOG**

THIS PAGE INTENTIONALLY LEFT BLANK

Reissued: September 15, 1994

2E7

Island Enterprises

PIPER AIRCRAFT
PA-28-181
AIRPLANE PARTS CATALOG

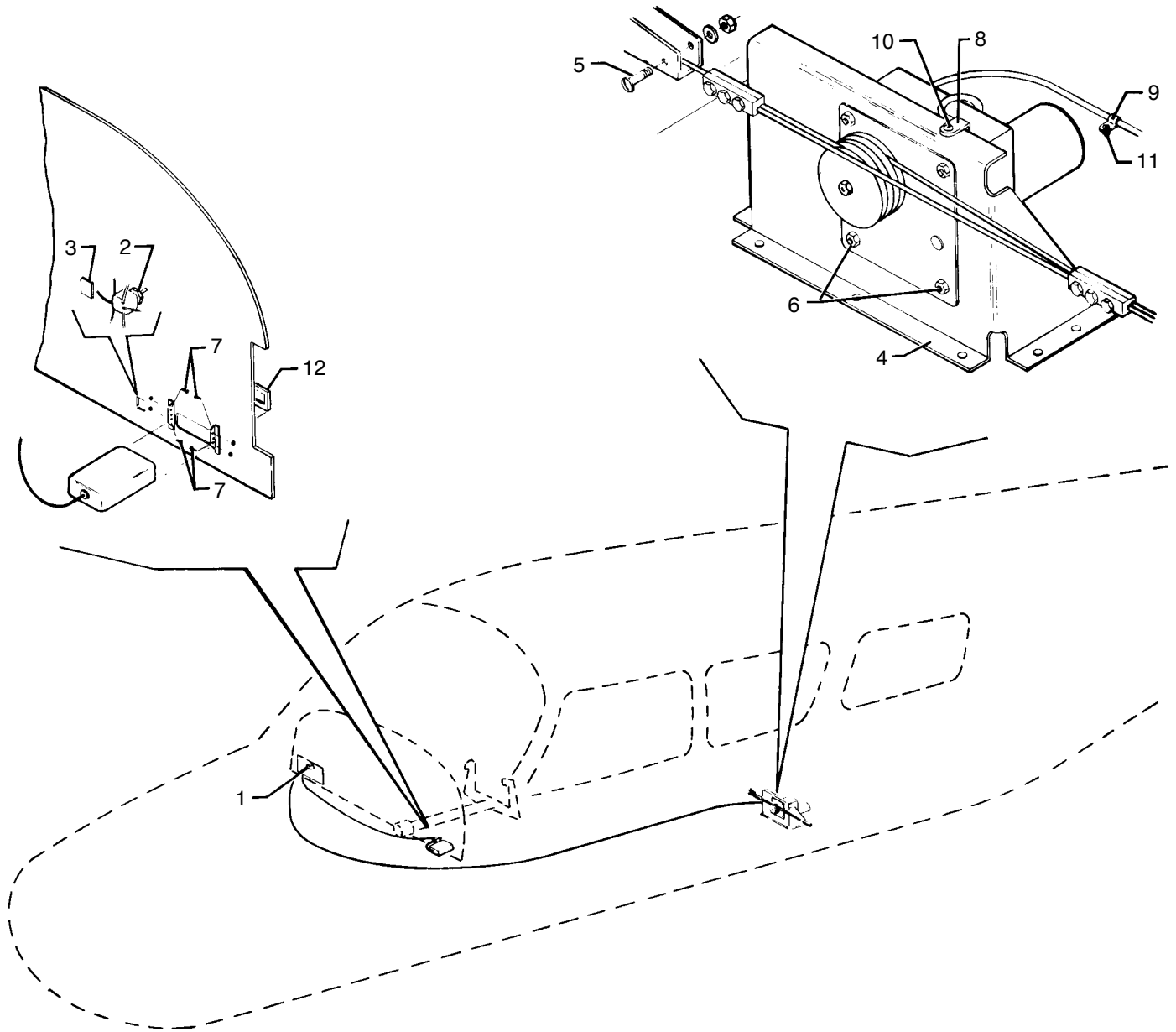


Figure 69A. Century 21 AutoPilot Installation
(Serial numbers 28-8190019 and up)
See Code A

Reissued: September 15, 1994

2E8

Island Enterprises

**PIPER AIRCRAFT
PA-28-181
AIRPLANE PARTS CATALOG**

CODE EXPLANATIONS FOR FIGURE 69A

A - This installation is relative only to associated Piper Aircraft Corporation parts that are used when installing Mitchell Century 21 AutoPilot. All Mitchell equipment and components must be procured from an authorized Mitchell Service Center or from Edo-Aire Mitchell, Post Office Box 610, Municipal Airport, Mineral Wells, Texas 76067.

Reissued: September 15, 1994

2E9

Island Enterprises

**PIPER AIRCRAFT
PA-28-181
AIRPLANE PARTS CATALOG**

Figure and Index Number	Part Number	Code	Nomenclature	No. Req.	Serial Numbers Affected
69A-	39726		DRAWING - Century 21 AutoPilot Installation		
-1	454 706		CIRCUIT BREAKER - (PS50120-1-2) Mechanical Products Inc. 5 amp	1	
	454 668		CIRCUIT BREAKER - (PS50120-3-8) Wood Electric Co. 5 amp	1	
-2	688 153		SWITCH - (SF3GBX191)	1	
-3	87369-05		PLACARD - Nav 1 off Nav 2	1	
-4	453 425		BRACKET - Mounting (7C511-3)	1	
-5	415 540		SCREW - (MS35206-250)	1	
	407 563		WASHER - (AN960-8)	1	
	404 910		NUT - (MS20365-832C)	1	
-6	400 438		BOLT - (AN3-4A)	4	
	407 674		WASHER - (AN960-C10)	4	
	404 887		NUT - (MS20365-1032C)	4	
-7	414 695		SCREW - (MS24693-S4)	6	
-8	554 954		CLAMP - (PS10017-8-4)	1	
-9	487 722		CLAMP - (PS10017-3-3-6F)	1	
-10	415 533		SCREW - (MS35206-243)	1	
	404 910		NUT - (MS20365-832C)	1	
-11	415 544		SCREW - (MS35206-244)	1	
	407 120		NUT - (AN936-B8)	1	
-12	39800-02		INSERT - AutoPilot	1	

When ordering, always specify Part Number, Description, and Serial Number of Aircraft

Reissued: September 15, 1994

2E10

Island Enterprises

PIPER AIRCRAFT
PA-28-181
AIRPLANE PARTS CATALOG

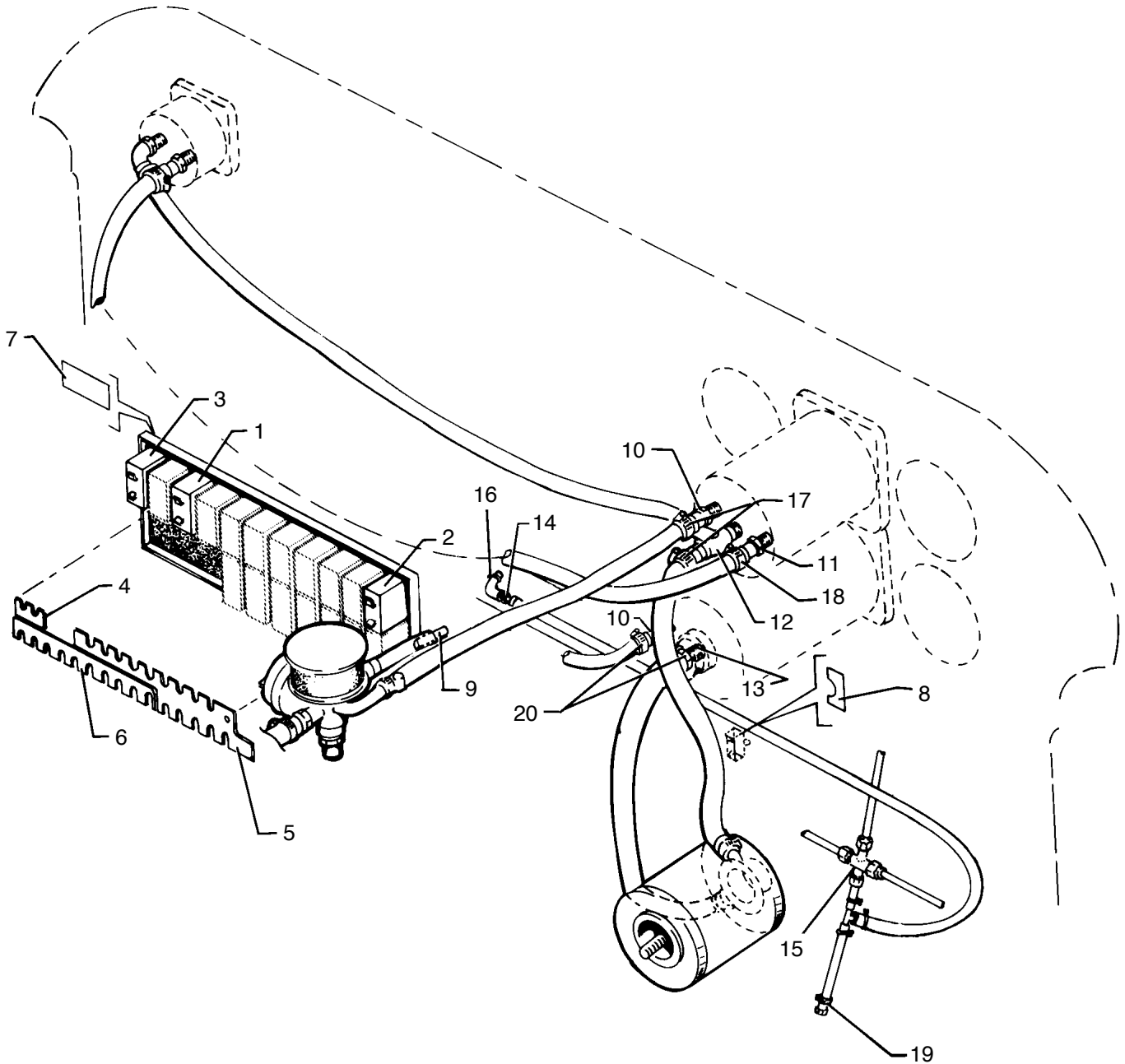


Figure 69B. King KAP 100/150 AutoPilot Installation
(Serial numbers 28-8390001 and up)
See Code A

Reissued: September 15, 1994

2E11

**PIPER AIRCRAFT
PA-28-181
AIRPLANE PARTS CATALOG**

CODE EXPLANATIONS FOR FIGURE 69B

A - This installation is relative only to associated Piper Aircraft Corporation parts that are used when installing King KAP 100/150 AutoPilot. King equipment and components must be procured from King Radio Corporation, 400 N. Rogers Road, Olathe, Kansas 66061.

**PIPER AIRCRAFT
PA-28-181
AIRPLANE PARTS CATALOG**

Figure and Index Number	Part Number	Code	Nomenclature	No. Req.	Serial Numbers Affected
69B-	39874		DRAWING - King KAP 100/150 AutoPilot Installation		
-1	454 657		CIRCUIT BREAKER - AutoPilot, 10 amp (PS50120-3-12)	1	
-2	454 681		CIRCUIT BREAKER - Pitch trim, 5 amp (PS50120-3-6)	1	
-3	454 706		CIRCUIT BREAKER - Compass system, 5 amp (PS50120-1-2)	1	
-4	35208-04		STRIP - Circuit breaker	1	
-5	35208-09		STRIP - Circuit breaker	1	
-6	35208-10		STRIP - Circuit breaker	1	
-7	35669-110		PLACARD - Compass system	1	
-8	87369-40		PLACARD - Nav 1/Nav 2	1	
-9	96268-00		PLUG ASSEMBLY	1	
-10	451 939		ADAPTER - (1K10-4-6)	2	
-11	451 881		ADAPTER - (1K10-2-4)	1	
-12	560 835		ELBOW - (1K31-4-6-4)	1	
-13	558 913		ELBOW - (1K9-4-6)	1	
-14	491 049		UNION - (AN815-3D)	1	
-15	455 417		CROSS - (AN827-3D)	1	
-16	454 806		CLAMP - (SAE TY E-7)	4	
-17	554 888		CLAMP - (SAE TY F-6)	4	
-18	554 861		CLAMP - (SAE TY F-4)	4	
-19	554 575		CLAMP - (PS10017-23-4)	1	
-20	554 598		CLAMP - (NAS397-12)	2	

When ordering, always specify Part Number, Description, and Serial Number of Aircraft

Reissued: September 15, 1994

2E13

Island Enterprises

PIPER AIRCRAFT
PA-28-181
AIRPLANE PARTS CATALOG

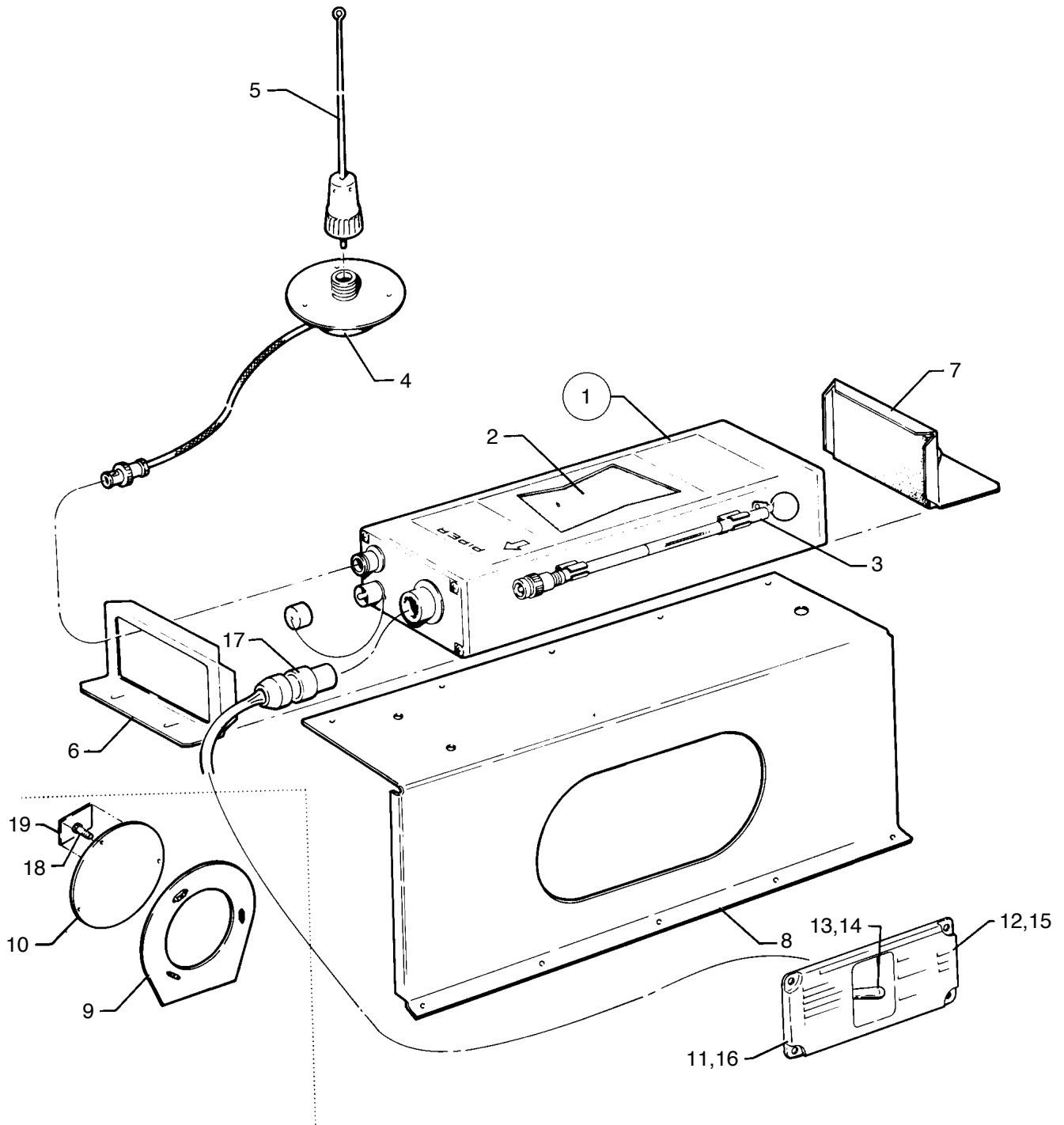


Figure 70. Piper Automatic Locator (ELT) Installation
(Garrett)

Reissued: September 15, 1994

2E14

Island Enterprises

**PIPER AIRCRAFT
PA-28-181
AIRPLANE PARTS CATALOG**

CODE EXPLANATIONS FOR FIGURE 70

- A - Used with Transmitter Assembly 756 398 (Model 627484-1).
- B - Used with Transmitter Assembly 761 939 (Model 627674-1).
- C - When ordering, specify color.
- D - Used with Transmitter Assembly 761 967 (Model 627810-1).
- E - No longer available. Order Replacement Kit 763 842 (Garrett ELT to Narco ELT 10) as a replacement. Refer to Piper Service Letter 820.

Reissued: September 15, 1994

2E15

Island Enterprises

**PIPER AIRCRAFT
PA-28-181
AIRPLANE PARTS CATALOG**

Figure and Index Number	Part Number	Code	Nomenclature	No. Req.	Serial Numbers Affected
70-	99890		DRAWING - Piper Automatic Locator (ELT) Installation		
-1	756 398	E	TRANSMITTER ASSEMBLY - Automatic locator (627484-1) (includes magnesium battery pack)	1	
	761 939	E	TRANSMITTER ASSEMBLY - Automatic locator (627674-1) (includes magnesium battery pack)	1	
	761 967	E	TRANSMITTER ASSEMBLY - Automatic locator (627810-1) (includes lithium battery pack)	1	
-2	758 281	A,B	* BATTERY PACK - Transmitter assembly (magnesium)	1	
	758 364	D,E	* BATTERY PACK - Transmitter assembly (lithium)	1	
-3	751 316		* ANTENNA ASSEMBLY - Telescopic	1	
-4	751 318		CABLE AND BASE ASSEMBLY - Whip antenna	1	
-5	751 319		ANTENNA ASSEMBLY - Whip (less cable and base)	1	
-6	758 266		BRACKET - Forward transmitter mounting	1	
-7	758 267		BRACKET ASSEMBLY - Aft transmitter mounting (includes lock knob)	1	
-8	99887-02		BRACKET ASSEMBLY - Emergency locator transmitter	1	
-9	99888-00		RING ASSEMBLY - Emergency locator transmitter	1	
-10	99889-00		COVER ASSEMBLY - Emergency locator transmitter	1	
-11	79033-00	B,C	SWITCH AND COVER ASSEMBLY - ELT	1	
-12	69669-15	B	* PLACARD - Warning (exposed switch)	1	
	69669-66	B	* PLACARD - Warning (recessed switch)	1	
-13	587 952	B	* SWITCH - (SF1LBX183-7)	1	
-14	588 011	D	SWITCH - (8E1011)	1	
-15	69669-107	D	PLACARD - Warning	1	
-16	79463-00	C,D	COVER - ELT switch	1	
-17	555 731	B	CONNECTOR - (612129-3)	1	
-18	486 281		SCREW - (PS10015-B8-12NA)	3	
-19	35669-105		PLACARD - ELT location	1	

When ordering, always specify Part Number, Description, and Serial Number of Aircraft

Reissued: September 15, 1994

2E16

Island Enterprises

PIPER AIRCRAFT
PA-28-181
AIRPLANE PARTS CATALOG

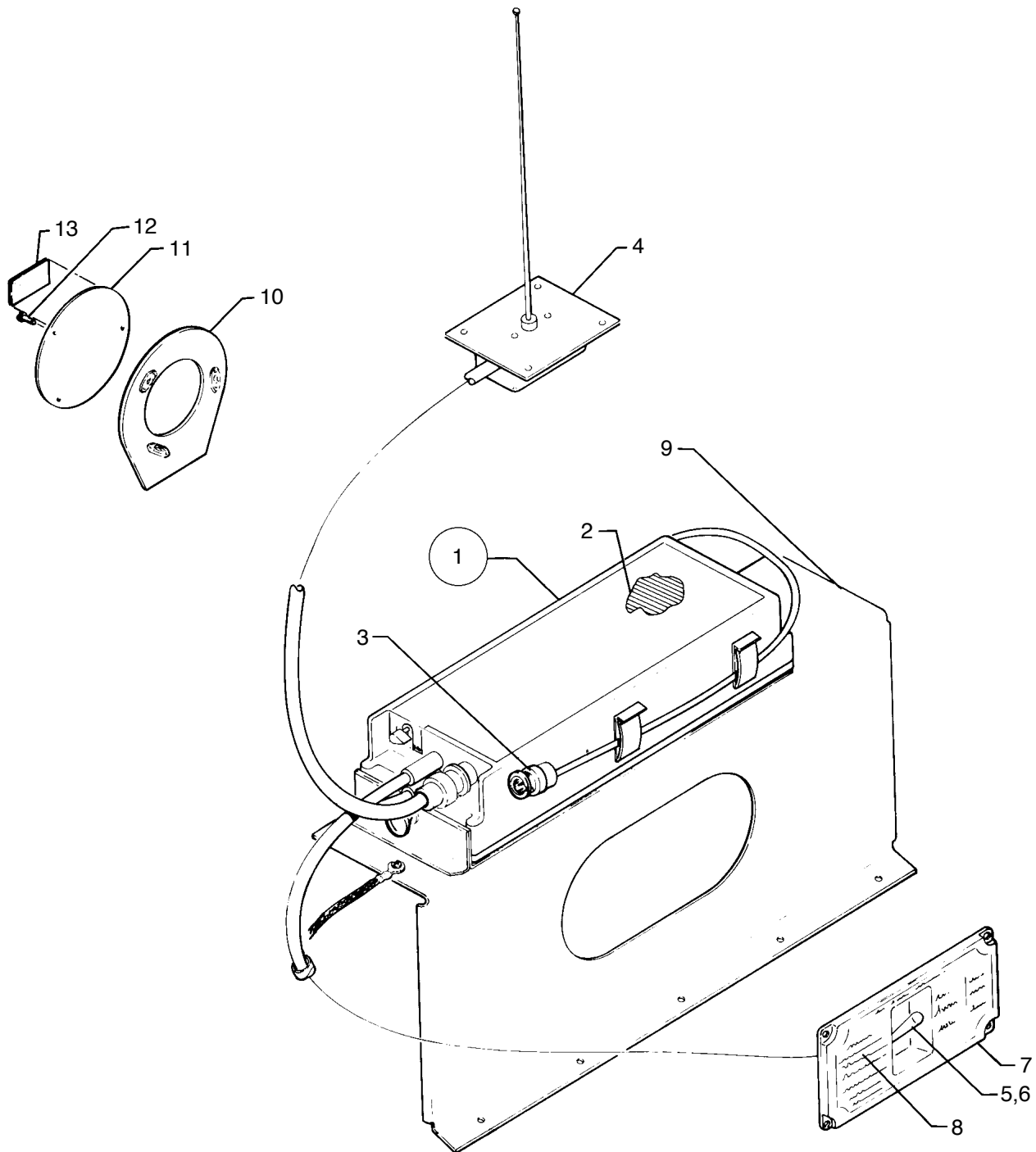


Figure 71. Piper Automatic Locator (ELT) Installation
(Communications Components Corp.)

Reissued: September 15, 1994

2E17

**PIPER AIRCRAFT
PA-28-181
AIRPLANE PARTS CATALOG**

CODE EXPLANATIONS FOR FIGURE 71

A - When ordering, specify color.

Reissued: September 15, 1994

2E18

Island Enterprises

**PIPER AIRCRAFT
PA-28-181
AIRPLANE PARTS CATALOG**

Figure and Index Number	Part Number	Code	Nomenclature	No. Req.	Serial Numbers Affected
71-	79761		DRAWING - Piper Automatic Locator (ELT) Installation		
-1	762 030		TRANSMITTER ASSEMBLY - Automatic locator (CIR-11-2) (includes alkaline battery pack)	1	
-2	758 528		* BATTERY PACK - Transmitter assembly (alkaline)	1	
-3	758 092		* ANTENNA ASSEMBLY - Portable (10-249)	1	
-4	763 004		ANTENNA ASSEMBLY - Whip (10-234)	1	
-5	79762-02		SWITCH AND HARNESS ASSEMBLY - ELT	1	
-6	588 030		* SWITCH - (8A2051)	1	
-7	79463-02	A	COVER - ELT switch	1	
-8	69669-66		PLACARD - Warning	1	
-9	99887-04		BRACKET ASSEMBLY - Emergency locator transmitter	1	
-10	99888-00		RING ASSEMBLY - Emergency locator transmitter	1	
-11	99889-00		COVER ASSEMBLY - Emergency locator transmitter	1	
-12	486 281		SCREW - (PS10015-B8-12NA)	3	
-13	35669-105		PLACARD - ELT location	1	

When ordering, always specify Part Number, Description, and Serial Number of Aircraft

Reissued: September 15, 1994

2E19

Island Enterprises

PIPER AIRCRAFT
PA-28-181
AIRPLANE PARTS CATALOG

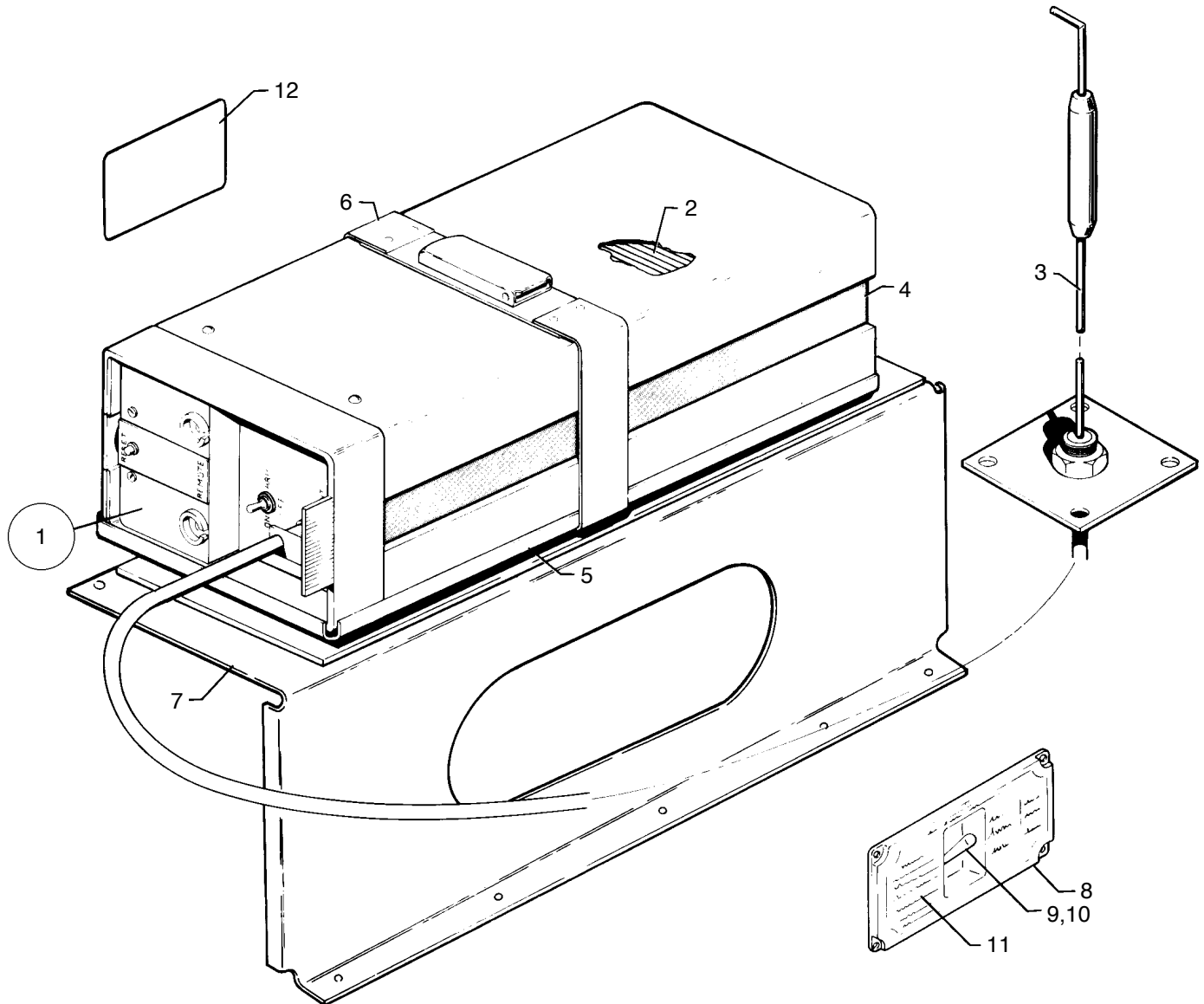


Figure 71A. Piper Automatic Locator (ELT 10) Installation
(Narco Avionics)

Reissued: September 15, 1994

2E20

Island Enterprises

**PIPER AIRCRAFT
PA-28-181
AIRPLANE PARTS CATALOG**

CODE EXPLANATIONS FOR FIGURE 71A

A - When ordering, specify color.

Reissued: September 15, 1994

2E21

Island Enterprises

**PIPER AIRCRAFT
PA-28-181
AIRPLANE PARTS CATALOG**

Figure and Index Number	Part Number	Code	Nomenclature	No. Req.	Serial Numbers Affected
71A-	36632		DRAWING - Piper Automatic Locator (ELT 10) Installation		
-1	597 461		TRANSMITTER ASSEMBLY - Automatic locator (ELT 10) (includes alkaline battery pack)	1	
-2	758 452		* BATTERY PACK - Transmitter assembly (57674-0001)	1	
-3	597 257		* ANTENNA ASSEMBLY - E.L.T. (01652-0101)	1	
-4	763 019		* ANTENNA - Blade, portable (57667-0001)	1	
-5	758 453		* BASE - Transmitter assembly (57666-0001)	1	
-6	762 357		* STRAP - Transmitter assembly (57682-0101)	1	
-7	99887-06		BRACKET ASSEMBLY - Emergency locator transmitter	1	
-8	79463-00	A	COVER - ELT switch	1	
-9	79599-00		SWITCH AND HARNESS ASSEMBLY - ELT	1	
-10	588 011		* SWITCH - (8E1011)	1	
-11	35669-132		PLACARD - Warning	1	
-12	35669-105		PLACARD - ELT location	1	

When ordering, always specify Part Number, Description, and Serial Number of Aircraft

Reissued: September 15, 1994

2E22

Island Enterprises

PIPER AIRCRAFT
PA-28-181
AIRPLANE PARTS CATALOG

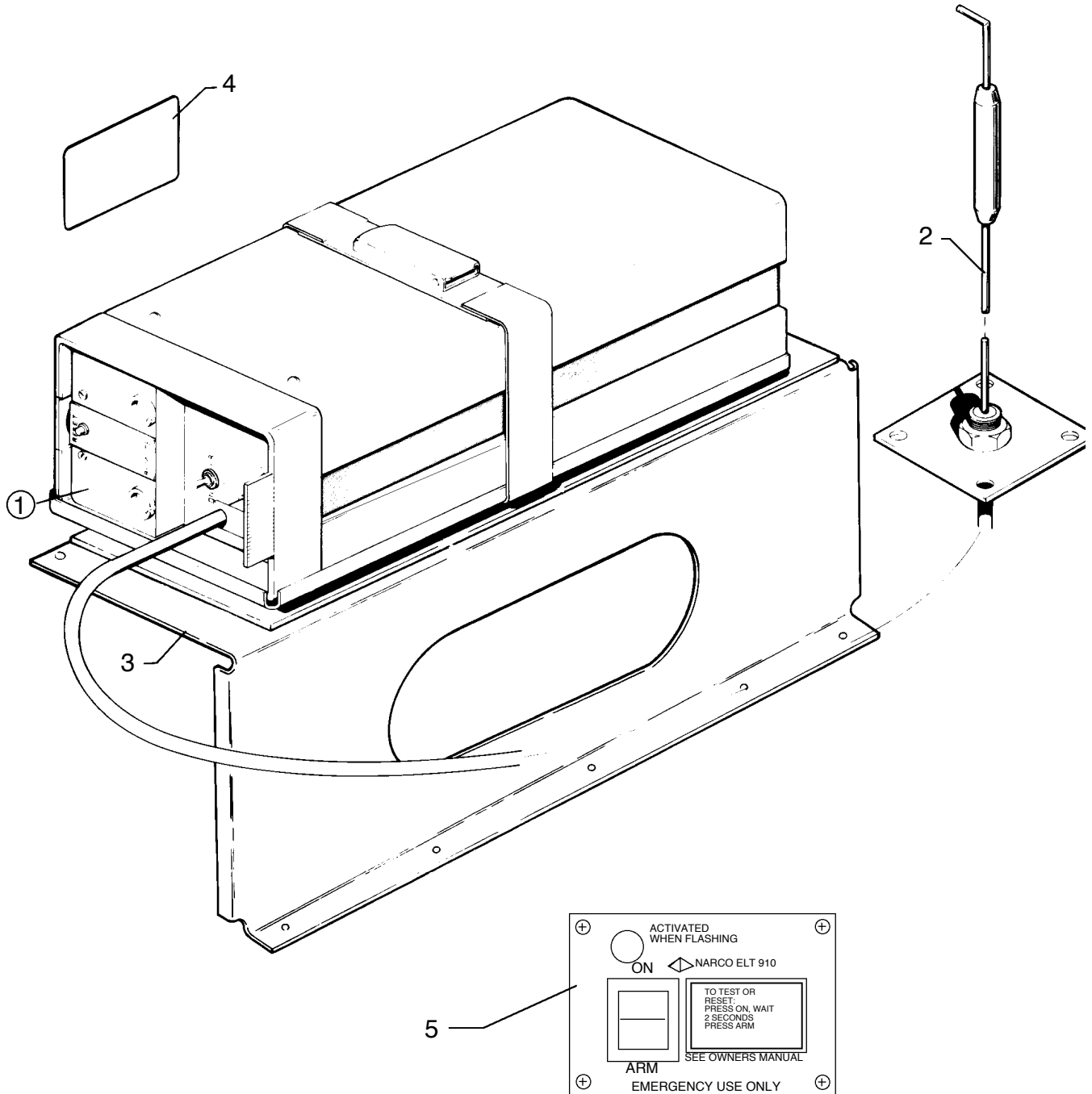


Figure 71B. Piper Automatic Locator (ELT 910) Installation
(Narco Avionics)

Reissued: September 15, 1994

2E23

Island Enterprises

**PIPER AIRCRAFT
PA-28-181
AIRPLANE PARTS CATALOG**

CODE EXPLANATIONS FOR FIGURE 71B

Reissued: September 15, 1994

2E24

Island Enterprises

**PIPER AIRCRAFT
PA-28-181
AIRPLANE PARTS CATALOG**

Figure and Index Number	Part Number	Code	Nomenclature	No. Req.	Serial Numbers Affected
71B-	06292		DRAWING - Emergency Locator Transmitter Installation (Narco ELT 910)		
-1	689 970		TRANSMITTER ASSEMBLY - Emergency locator (ELT 910) with battery pack and mounting tray (01475-0101)	1	
-2	597 257		ANTENNA - (01652-0101)	1	
-3	99887-07		BRACKET ASSEMBLY - Emergency locator transmitter	1	
-4	35669-105		PLACARD - ELT location	1	
-5	688 404		SWITCH ASSEMBLY - Remote (56988-0101)	1	

When ordering, always specify Part Number, Description, and Serial Number of Aircraft

Reissued: September 15, 1994

**PIPER AIRCRAFT
PA-28-181
AIRPLANE PARTS CATALOG**

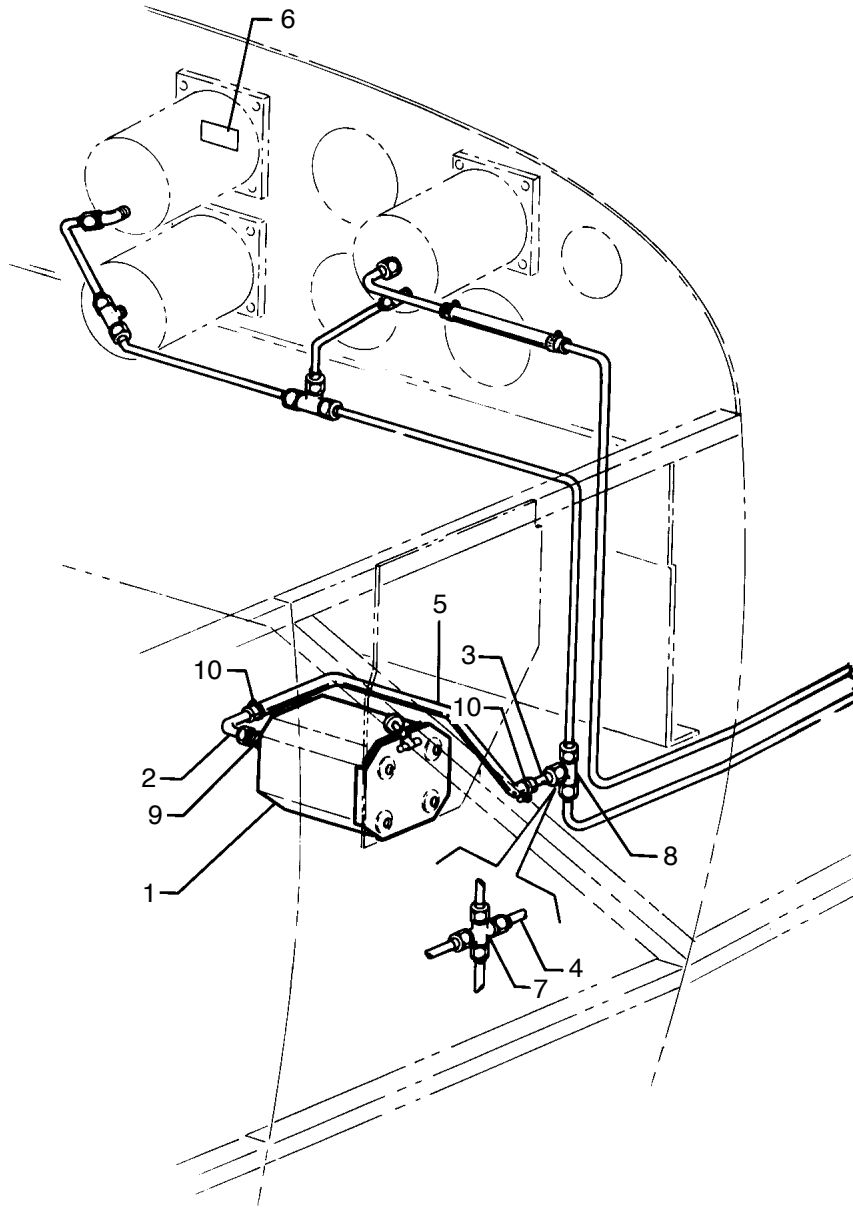


Figure 72. Encoder Installation (Narco AR500 and United 5125-P3)
(Serial numbers 28-7790001 and up)

Reissued: September 15, 1994

2F2

Island Enterprises

**PIPER AIRCRAFT
PA-28-181
AIRPLANE PARTS CATALOG**

CODE EXPLANATIONS FOR FIGURE 72

A - Used if alternate static system is installed.

Reissued: September 15, 1994

2F3

Island Enterprises

**PIPER AIRCRAFT
PA-28-181
AIRPLANE PARTS CATALOG**

Figure and Index Number	Part Number	Code	Nomenclature	No. Req.	Serial Numbers Affected
72-	79658		DRAWING - Encoder Installation (Narco-AR 500 and United-5125-P3)		
-1	596 605		ALTITUDE REPORTER - Narco (PS50040-30-2)	1	
	597 426		ALTITUDE REPORTER - United (PS50040-30-4)	1	28-7990408 and up
-2	63211-00		TUBE ASSEMBLY - Encoder	1	
-3	63211-00		TUBE ASSEMBLY - Encoder	1	
-4	67700-150	A	TUBE ASSEMBLY - Alternate static	1	
-5	63913-37		HOSE - Static	1	
-6	35669-154		PLACARD - Altitude reporter installed	1	
-7	455 417	A	CROSS - (AN827-3D)	1	
-8	488 315		TEE - (AN824-3D)	1	
-9	476 647		UNION - (AN816-3D)	1	
-10	554 861		CLAMP - (SAE TY F-4)	2	

When ordering, always specify Part Number, Description, and Serial Number of Aircraft

Reissued: September 15, 1994

2F4

Island Enterprises

PIPER AIRCRAFT
PA-28-181
AIRPLANE PARTS CATALOG

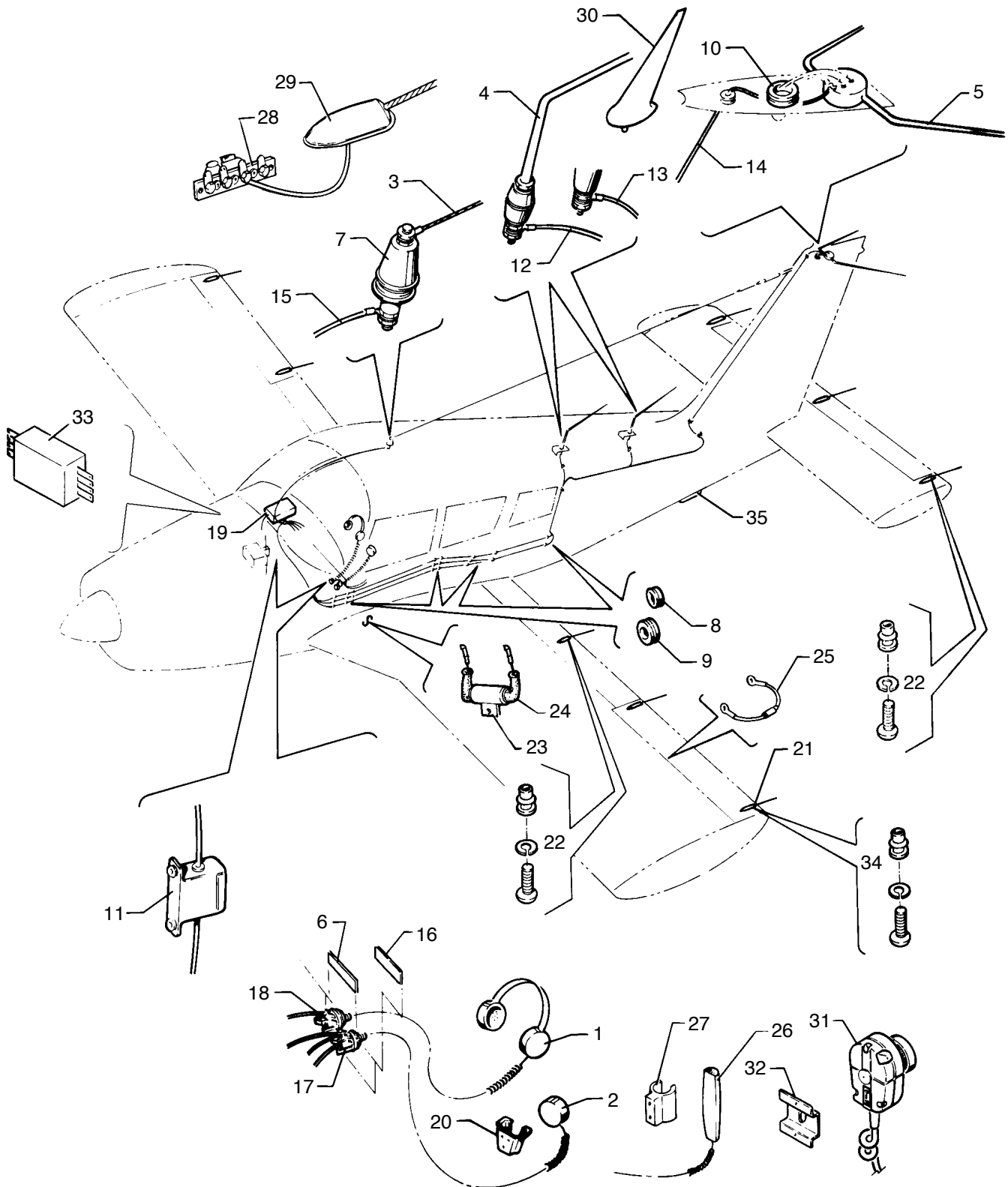


Figure 73. Radio, Antenna System, and Static Wicks Installation

Reissued: September 15, 1994

2F5

**PIPER AIRCRAFT
PA-28-181
AIRPLANE PARTS CATALOG**

CODE EXPLANATIONS FOR FIGURE 73

- A - See Figure 74 for component parts.
- B - With microphone switch, dual VHF switches, ADF switch, and marker beacon switches.
- C - With microphone switch, dual VHF switches, and ADF switch.
- D - With single VHF switch, ADF switch, and marker beacon switches.
- E - Used if Bendix ADF-T-12C or ADF-T-12D receiver is installed.
- F - When ordering, specify color.

**PIPER AIRCRAFT
PA-28-181
AIRPLANE PARTS CATALOG**

Figure and Index Number	Part Number	Code	Nomenclature	No. Req.	Serial Numbers Affected
73-	99461		DRAWING - Radio Antenna Systems Installation		
	79153		DRAWING - All Weather Radio Antenna System Installation		
	69667		DRAWING - Static Wick Installation		
	39737		DRAWING - Marker Beacon Antenna Installation		28-8190001 and up
-1	464 362		HEADPHONE	1	
	464 448		HEADPHONE - (With boom mike)	1	28-7890001 and up
-2	474 652		MICROPHONE - Telex (60837-17)	1	
-3	99841-04		ANTENNA ASSEMBLY - Receiving	1	
-4	451 272		ANTENNA ASSEMBLY - Transmitting (VTP-17)	2	
-5	451 273		ANTENNA ASSEMBLY - Omni-receiving (VRP-37)	1	
-6	66837-00		PLACARD - Mike jack (with console mike jack)	1	
-7	467 064		INSULATOR - Antenna (135-40)	1	
-8	453 838		BUSHING - Snap (PS10064-500-6)	8	
-9	453 836		BUSHING - Snap (PS10064-437-5)	8	
-10	434 144		GROMMET - (MS35489-23)	1	
-11	555 501		COUPLER - Dual nav-com (AVB-10)	1	
	555 422		COUPLER - Dual nav-com with glide slope (AV-571)	1	28-7890001 and up
	556 753		COUPLER - Dual Nav-Com with glide slope (CI1125)	1	28-8190001 and up
	555 421		COUPLER - Single nav-com with glide slope (AV-570)	1	28-7990375 and up
-12	99610-00		CABLE ASSEMBLY - Transmitting	1	
-13	99610-02		CABLE ASSEMBLY - Transmitting	1	
-14	65192-09		CABLE ASSEMBLY - Receiving	1	
-15	62239-00		CABLE ASSEMBLY - Receiving (with 10" shield)	1	
	596 118		CABLE ASSEMBLY - Receiving (90677-67) (completely shielded)	1	
-16	67471-00		PLACARD - Mike and phone	1	
	66838-00		PLACARD - Headphone	1	
-17	468 002		JACK - Mike (S12B)	2	
-18	468 006		JACK - Phone (11)	1	
-19	99395-00	A,D	AUDIO SELECTOR ASSEMBLY	1	
	99395-02	A,C	AUDIO SELECTOR ASSEMBLY	1	
	99395-03	A,B	AUDIO SELECTOR ASSEMBLY	1	
-20	99680-08	F	SUPPORT - Microphone	1	
-21	494 678		WICK - Static (SW 10-96)	9	
-22	415 520		SCREW - (MS35206-230)	10	
	407 122		WASHER - (AN935-6L)	10	
	406 848		RIVNUT - (A6K75)	10	
-23	554 224		CAPACITOR - Filter, fuel pump noise (PS10027-2-4)	1	
-24	23969-02		NIPPLE - Capacitor	2	
-25	469 600		JUMPER ASSEMBLY - Lightning protection (MS25083-3AA6)	7	
-26	474 642		MICROPHONE - Telex (62800-001)	1	
-27	565 523		HOLDER - Microphone (Telex 64022-000)	1	
-28	79152-00		STRIP ASSEMBLY - All weather antenna terminal	1	
	79152-02	E	STRIP ASSEMBLY - All weather antenna terminal	1	
-29	79160-00		ANTENNA ASSEMBLY - All weather receiving	1	
-30	596 332		ANTENNA - Broadband, VHF Comm (PS50040-18-1)		
			(Communications Components)	2	
	596 664		ANTENNA - Broadband, VHF Comm (PS50040-18-2)		
			Dorne & Margolin)	2	
-31	474 655		MICROPHONE - Narco (M700A)	1	28-7690001 to 28-7790607 incl.
	474 659		MICROPHONE - Narco (M700B)	1	28-7890001 and up
-32	554 686		CLIP - Microphone holder (90Z1136)	1	
-33	584 137		RELAY - Boom mike (HE822C1210)	1	28-7890001 and up

When ordering, always specify Part Number, Description, and Serial Number of Aircraft

Reissued: September 15, 1994

**PIPER AIRCRAFT
PA-28-181
AIRPLANE PARTS CATALOG**

Figure and Index Number	Part Number	Code	Nomenclature	No. Req.	Serial Numbers Affected
73-34	415 521		SCREW - (MS35206-231)	8	
	407 122		WASHER - (AN935-6L)	8	
	406 848		RIVNUT - (A6K75)	8	
-35	597 893		ANTENNA - Marker beacon (PS50040-15-10)	1	28-8190001 and up

When ordering, always specify Part Number, Description, and Serial Number of Aircraft

Reissued: September 15, 1994

2F8

Island Enterprises

**PIPER AIRCRAFT
PA-28-181
AIRPLANE PARTS CATALOG**

THIS PAGE INTENTIONALLY LEFT BLANK

Reissued: September 15, 1994

2F9

Island Enterprises

**PIPER AIRCRAFT
PA-28-181
AIRPLANE PARTS CATALOG**

THIS PAGE INTENTIONALLY LEFT BLANK

PIPER AIRCRAFT
PA-28-181
AIRPLANE PARTS CATALOG

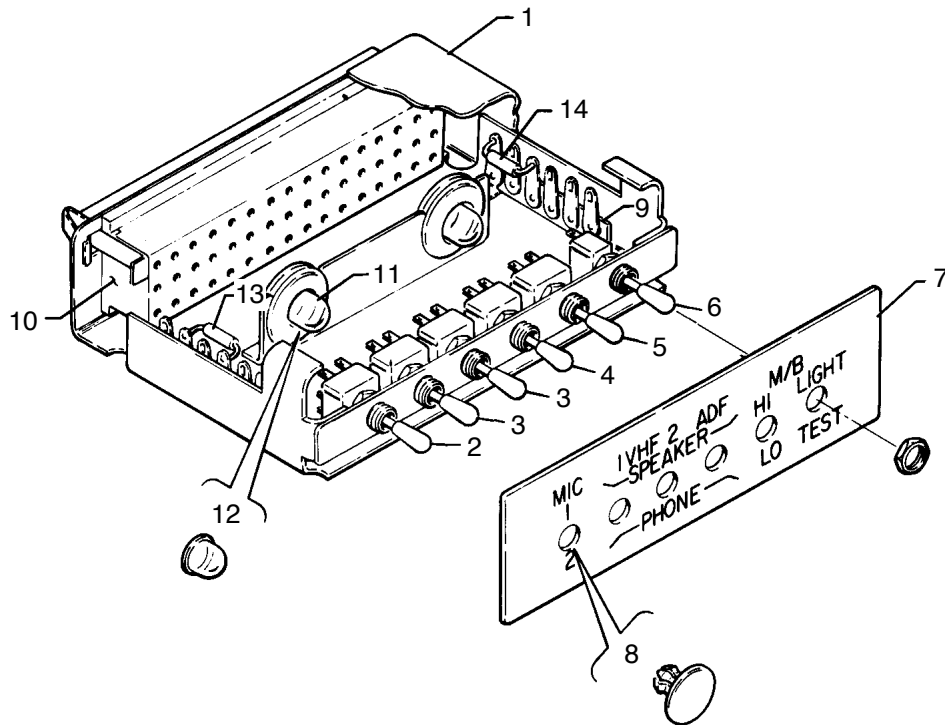


Figure 74. Audio Selector Assembly

Reissued: September 15, 1994

2F11

**PIPER AIRCRAFT
PA-28-181
AIRPLANE PARTS CATALOG**

CODE EXPLANATIONS FOR FIGURE 74

- A - With single VHF switch, ADF switch, and marker beacon switches.
- B - With microphone switch, dual VHF switches, and ADF switch.
- C - With microphone switch, dual VHF switches, ADF switch, and marker beacon switches.

**PIPER AIRCRAFT
PA-28-181
AIRPLANE PARTS CATALOG**

Figure and Index Number	Part Number	Code	Nomenclature	No. Req.	Serial Numbers Affected
74-1	99395-00	A	AUDIO SELECTOR ASSEMBLY	1	
	99395-02	B	AUDIO SELECTOR ASSEMBLY	1	
	99395-03	C	AUDIO SELECTOR ASSEMBLY	1	
-2	587 807		* SWITCH - Microphone (JMT-223)	1	
-3	587 808		* SWITCH - VHF (JMT-221)	2	
-4	587 808		* SWITCH - ADF (JMT-221)	1	
-5	587 808		* SWITCH - Marker beacon, Hi/Lo (JMT-221)	1	
-6	587 809		* SWITCH - Marker beacon, Light Test (JMT-126)	1	
-7	99344-00		* PLATE - Selector face	1	
-8	453 855		* BUTTON - Plug (207-170201-00)	2	
-9	588 356		* STRIP - Terminal (1076)	2	
-10	484 234		* RECEPTACLE - (1055R48)	1	
-11	472 056		* BULB - (GE 53)	2	
-12	460 602		* FILTER - Lunar white (1813-26)	2	
-13	456 703		* DIODE - (IN2071)	3	
-14	484 461		* RESISTOR - (242E3R05)	1	

When ordering, always specify Part Number, Description, and Serial Number of Aircraft

Reissued: September 15, 1994

2F13

Island Enterprises

PIPER AIRCRAFT
PA-28-181
AIRPLANE PARTS CATALOG

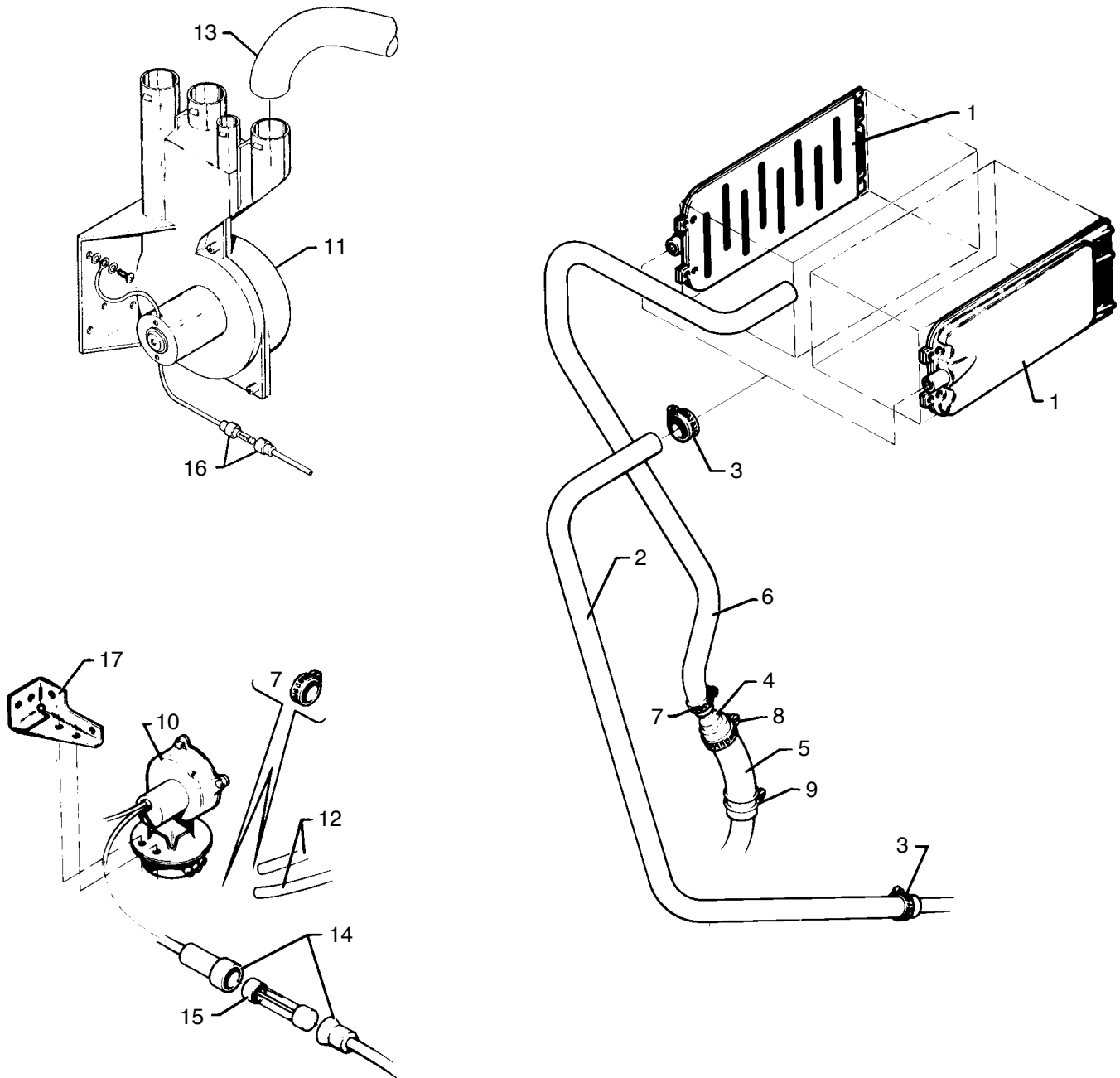


Figure 75. Avionics Cooling Installation

Reissued: September 15, 1994

2F14

Island Enterprises

**PIPER AIRCRAFT
PA-28-181
AIRPLANE PARTS CATALOG**

CODE EXPLANATIONS FOR FIGURE 75

- A - Used with Bendix avionics cooling blower only.
- B - Used with TRW avionics cooling blower only.
- C - Hoses supplied by King Radio as part of KNS 80, KX 155/165, or KAP 150 kits.

Reissued: September 15, 1994

2F15

Island Enterprises

**PIPER AIRCRAFT
PA-28-181
AIRPLANE PARTS CATALOG**

Figure and Index Number	Part Number	Code	Nomenclature	No. Req.	Serial Numbers Affected
75-	79406		DRAWING - Radio Cooling Installation		
	39745		DRAWING - Bendix Radio Cooling Blower Installation		28-8190001 to 28-8290188 incl.
	39857		DRAWING - King Avionics Cooling Blower Installation		28-8390001 and up
-1	79405-00		BOX ASSEMBLY - Avionics cooling	1	
-2	63633-136		HOSE - Avionics cooling (60`` long)	1	
-3	554 888		CLAMP - (SAE TY F-6)	2	
-4	79487-00		REDUCER - Avionics cooling hose	1	28-8190001 to 28-8290188 incl.
-5	63633-169		HOSE - Avionics cooling (4`` long)	1	28-8190001 to 28-8290188 incl.
-6	63633-186		HOSE - Avionics cooling (73`` long)	1	28-8190001 and up
-7	554 888		CLAMP - (SAE TY F-6)	4	28-8190001 and up
-8	454 921		CLAMP - (SAE TY F-10)	1	28-8190001 to 28-8290188 incl.
-9	554 892		CLAMP - (SAE TY A-15/16)	1	28-8190001 to 28-8290188 incl.
-10	452 997		BLOWER - Avionics cooling, (Bendix 3604529-0504)	1	28-8190001 to 28-8290188 incl.
-11	553 003		BLOWER - Avionics cooling, 14V (TRW 19A6009)	1	28-8390001 to 2890205
	460 105		BLOWER - Avionics cooling, 28V (TRW 19A2790)	1	2890206 and up
-12	63633-135	A	HOSE - Blower	2	28-8190001 and up
-13		C	HOSE - Blower	2	28-8390001 and up
-14	86652-05	A	FUSE ASSEMBLY - Blower	1	28-8190001 and up
-15	461 629	A	* FUSE - (311005) 5 amp	1	28-8190001 and up
-16	86652-08	B	FUSE ASSEMBLY - Blower	1	28-8390001 and up
	461 629	B	* FUSE - (311005) 5 amp	1	28-8390001 and up
-17	39745-10	A	BRACKET - Blower mount	1	28-8190001 and up

When ordering, always specify Part Number, Description, and Serial Number of Aircraft

Reissued: September 15, 1994

2F16

Island Enterprises

**PIPER AIRCRAFT
PA-28-181
AIRPLANE PARTS CATALOG**

CODE EXPLANATIONS FOR AVIONICS INSTALLATION DRAWINGS

- A - Part of standard VFR Package on Archer III.
- B - Part of optional IFR Package on Archer III.

Reissued: September 15, 1994

2F17

Island Enterprises

PIPER AIRCRAFT

PA-28-181

AIRPLANE PARTS CATALOG

Figure and Index Number	Part Number	Code	Nomenclature	No. Req.	Serial Numbers Affected
79628			DRAWING - Radio Installation, King KN61 DME		28-7690001 to 28-7990626 incl.
99989			DRAWING - Transponder Installation, AT 50/AT 500/AT 150		
69657			DRAWING - Transponder Installation, King KT76 or KT78		28-7690001 to 28-7890055 incl.
79814			DRAWING - King KT76A/78A Transponder Installation		28-7890056 and up
99844			DRAWING - Radio Installation, King KR-85		28-7690001 to 28-8190003 incl.
39767			DRAWING - King KR87 Radio Installation		28-8190004 and up
79000			DRAWING - Radio Installation, King KX-170B or KX-175B		28-7690001 to 28-7890564 incl.
79307			DRAWING - Radio Installation, Narco COM 10/110, 11/111, NAV 10/110, 10/110, 11/111 or 12/112		28-7690001 to 28-7790607 incl.
67976			DRAWING - COM 120/111, NAV 122/122A, 124A, Glide Slope UGR-2A and Marker Beacon Radio Installation		28-7890001 to 28-8290168 incl.
79299			DRAWING - Narco CP-258/125 and MET-12-R Audio and Marker Beacon Installation		28-7690001 to 28-7790607 incl.
37963			DRAWING - Narco CP-135/135M Radio Installation		28-7890001 to 28-8290168 incl.
79028			DRAWING - Radio Installation, King KX-175B with KN-73, KN-77 and KNI-520		28-7690001 to 28-7890564 incl.
79074			DRAWING - Dual ADF Installation, King KR-85, KR-86		
79051			DRAWING - Single ADF Installation, King KR-86		
79053			DRAWING - DME Installation, King KN-65/65A		28-7690001 to 28-7990626 incl.
36968			DRAWING - DME Installation, King KN62/62A		28-8090001 and up
79490			DRAWING - Single ADF Installation, Narco ADF-140		28-7690001 to 28-8390090 incl.
87479			DRAWING - Narco ADF-841 Radio Installation		28-8490001 and up
79493			DRAWING - Dual ADF Installation, Narco ADF-140		
79491			DRAWING - DME Installation, Narco DME-190		28-7690001 to 28-8090382 incl.
79001			DRAWING - King KMA-20 Audio and Marker Beacon System Installation		28-7690001 to 28-8190001 incl.
39770			DRAWING - King KMA-24 Audio and Marker Beacon System Installation		28-8190002 and up
79068			DRAWING - King KN-74 Area NAV System Installation		28-7690001 to 28-7790607 incl.
79663			DRAWING - Collins COM/NAV/GS Radio Installation		28-7790001 and up
79662			DRAWING - Collins RCR-650 ADF Radio Installation		28-7790001 and up
79669			DRAWING - Narco DME-195 Radio Installation		28-7790001 to 28-7990626 incl.
79660			DRAWING - Collins TDR-950 Transponder Installation		28-7790001 and up
69982			DRAWING - Single ADF/HF Compatibility Installation		
79084			DRAWING - Narco DME-195 Radio Installation		28-7890001 to 28-8290168 incl.
39867			DRAWING - Narco DME-890 Radio Installation		28-8290169 and up
36906			DRAWING - King KX-170B, KN-75, KI-209 Radio Installation		28-7690001 to 28-8190346 incl.
36920			DRAWING - Collins DCE-400 Distance Computing Equipment		28-7690001 to 28-8190346 incl.
36988			DRAWING - Collins DME 451 Radio Installation		28-8090001 and up
79659			DRAWING - Collins AMR-350 System Installation		28-7790001 and up
39748			DRAWING - Bendix CN2013, IND2014, AS2015 Single Com-Nav		28-8190001 to 28-8290188 incl.
39750			DRAWING - Bendix CN2011A, NSD360A, IN2014, AD2019A, IU2016 Dual Com-Nav		28-8190001 to 28-8290188 incl.
39739			DRAWING - Bendix TPR2060 Transponder Installation		28-8190001 to 28-8290188 incl.
39749			DRAWING - Bendix DME2030		28-8190001 to 28-8290188 incl.
39746			DRAWING - Bendix ADF2070		28-8190001 to 28-8290188 incl.
39783			DRAWING - King KY197/KY196E and KN53 Radio Installation		28-8190001 and up
39833			DRAWING - King KX155, KI203/204/208/209 Single/Dual Nav-Com Installation		28-8290001 and up

When ordering, always specify Part Number, Description, and Serial Number of Aircraft

Reissued: September 15, 1994

2F18

Island Enterprises

PIPER AIRCRAFT PA-28-181 AIRPLANE PARTS CATALOG

Figure and Index Number	Part Number	Code	Nomenclature	No. Req.	Serial Numbers Affected
39834			DRAWING - King KX155/165, KN72, KI202/203/208 Dual Nav-Com Installation		28-8290001 and up
36979			DRAWING - King KNS-80, (2) KY197, KN53, KI203/204/206 Area Nav Installation		28-8290077 and up
39868			DRAWING - Narco 810/824/825 Single/Dual Com/Nav/Ind Installation		28-8290169 and up
39866			DRAWING - Audio System Installation		28-8290169 and up
37921			DRAWING - Boom Mike Installation		28-8690001 and up
87479			DRAWING - Narco ADF841 Installation		28-8490001 and up
87533			DRAWING - Narco MK12D Radio Installation		28-8590001 and up
39857-09	A		DRAWING - Avionics Cooling Blower Installation		2890206 and up
79036-20	A		DRAWING - Single Telex Mic and Holder (Left side)		2890206 and up
79658-04	A		DRAWING - Altitude Reporter (For Narco AR-850)		2890206 and up
85398-04	A		DRAWING - Avionics Locator		2890206 and up
85398-05	B		DRAWING - Avionics Locator		2890206 and up
79814-27	A		DRAWING - KT-76A Transponder with Narco AR-850 Provisions		2890206 and up
79814-26	B		DRAWING - KT-71 Transponder with Narco AR-850 and GPS Provisions		2890206 and up
39833-35	A		DRAWING - Single Nav/Com		2890206 thru 2890208
36656-13			* WIRING		2890206 thru 2890208
39833-39	A		DRAWING - Single Nav/Com		2890209 and up
83399-03			* WIRING		2890209 and up
39833-36	B		DRAWING - Dual Nav/Com		2890206 thru 2890208
39833-41	B		DRAWING - Dual Nav/Com		2890209 and up
39737-04	B		DRAWING - Marker Beacon Antenna Installation		2890206 and up
99461-11	A		DRAWING - Single VHF Com Broad Band Antenna		2890206 and up
99461-13	B		DRAWING - Dual VHF Com Broad Band		2890206 and up
99461-14	B		DRAWING - Dual VHF Broad Band/Nav Antenna		2890206 and up
99461-15	B		DRAWING - Dual VHF Broad Band/Nav with GS Provisions Antenna		2890206 and up
99461-21	B		DRAWING - Single Broad Band/Nav with GS Provisions Antenna		2890206 and up
99461-25	B		DRAWING - Dual-VHF Broad Band/Nav Antenna with Dual GS Provisions		2890206 and up
39770-08	B		DRAWING - KMA -24 Audio and Marker		2890206 thru 2890208
39764-15			* WIRING		2890206 thru 2890208
39770-10	B		DRAWING - KMA -24 Audio and Marker		2890209 and up
83399-03			* WIRING		2890209 and up
39767			DRAWING - Single ADF		2890206 and up
36968			DRAWING - DME for use with KX-155, -165		2890206 and up
83380-02	B		DRAWING - KLN-90A GPS RNAV		2890206 and up
83379-02			* WIRING		2890206 and up
83379-03			* WIRING		2890206 and up

When ordering, always specify Part Number, Description, and Serial Number of Aircraft

Reissued: September 15, 1994

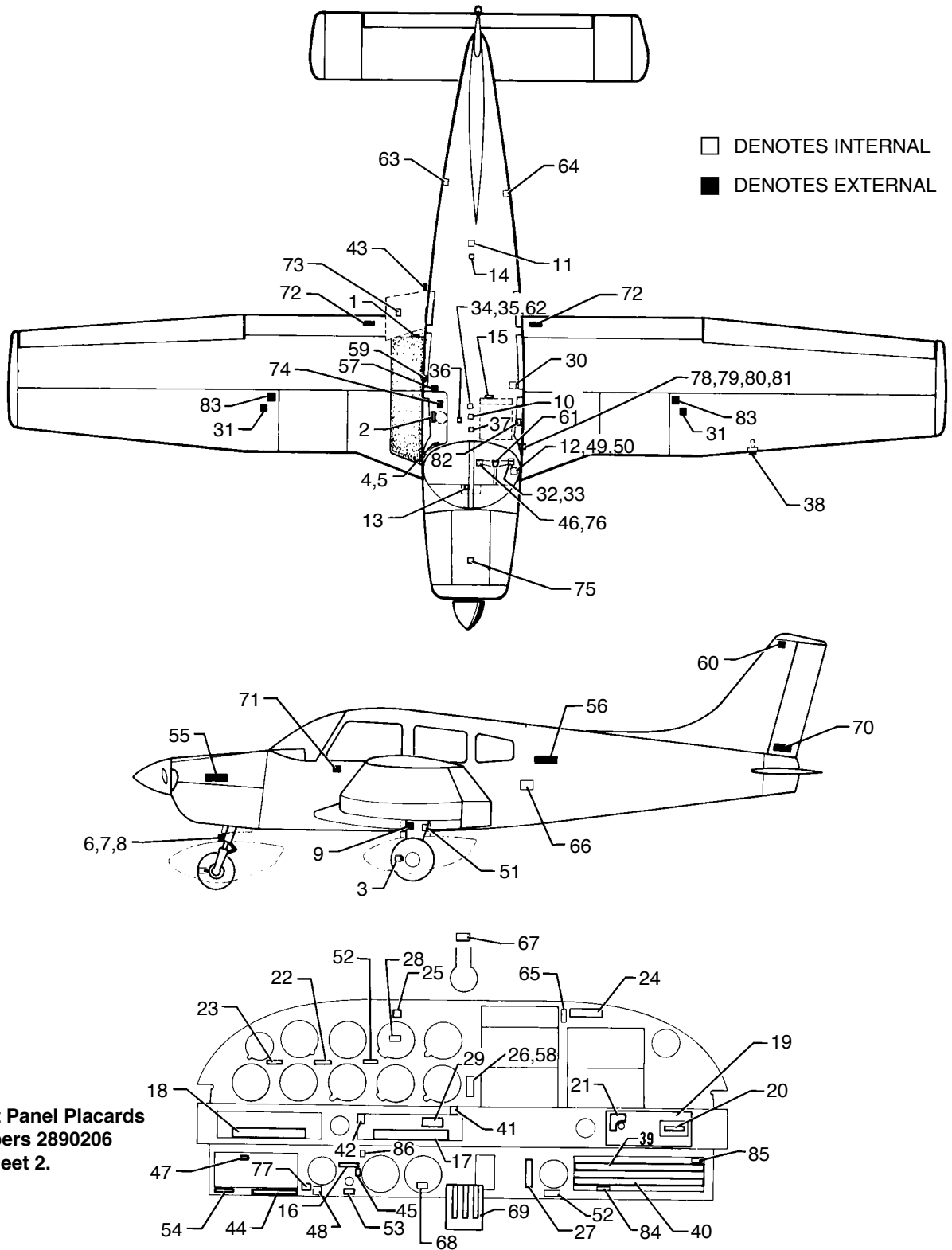
2F19

Island Enterprises

**PIPER AIRCRAFT
PA-28-181
AIRPLANE PARTS CATALOG**

THIS PAGE INTENTIONALLY LEFT BLANK

**PIPER AIRCRAFT
PA-28-181
AIRPLANE PARTS CATALOG**



**For Instrument Panel Placards
on serial numbers 2890206
and up, see Sheet 2.**

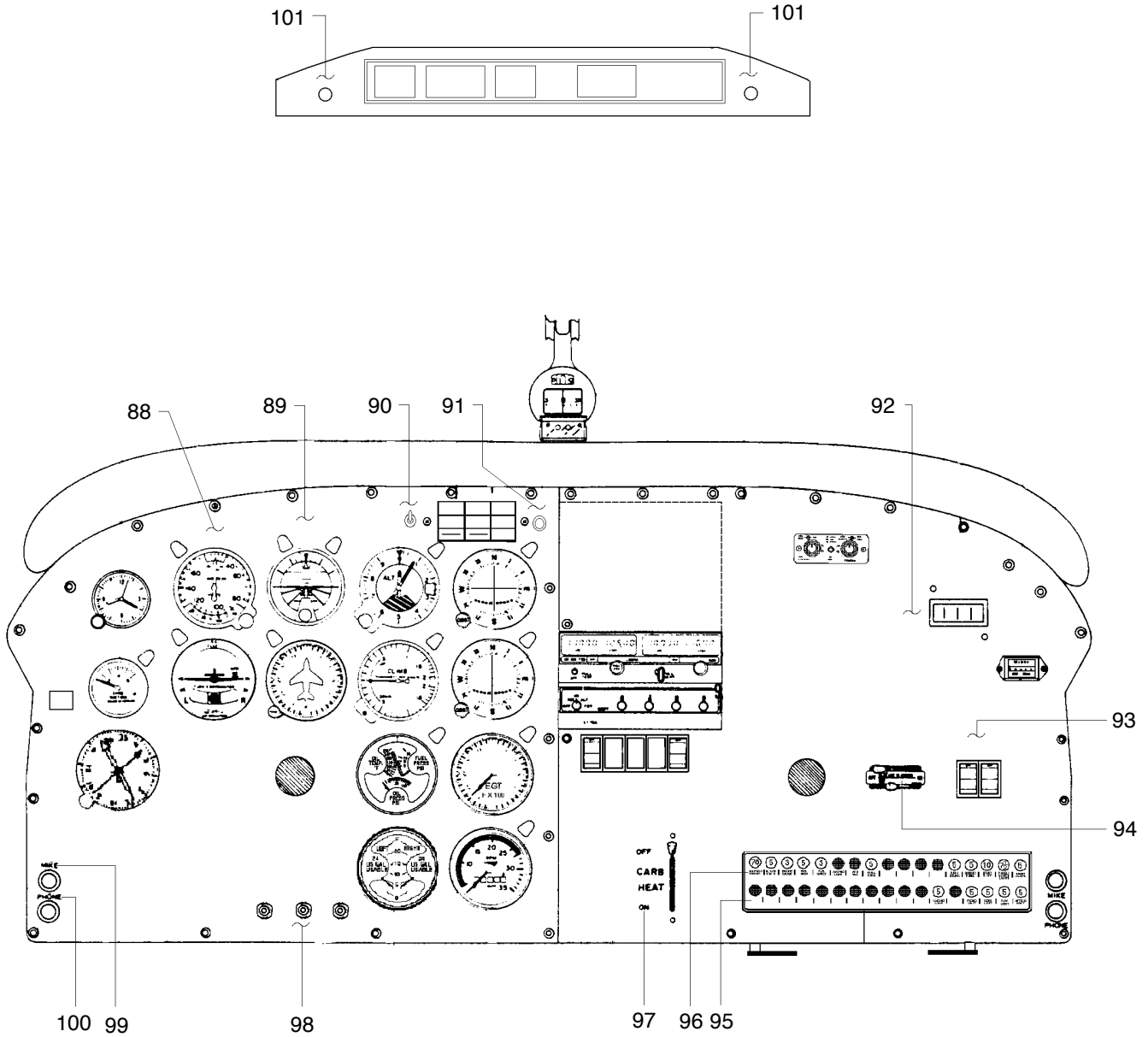
Figure 76. Placards and Exterior Stencils
(Sheet 1 of 2)

Reissued: September 15, 1994

2F21

Island Enterprises

**PIPER AIRCRAFT
PA-28-181
AIRPLANE PARTS CATALOG**



Serial numbers 2890206 and up

Figure 76. Placards and Exterior Stencils
(Sheet 2 of 2)

Reissued: September 15, 1994

2F22

Island Enterprises

**PIPER AIRCRAFT
PA-28-181
AIRPLANE PARTS CATALOG**

CODE EXPLANATIONS FOR FIGURE 76

- A - Used on serial numbers 28-7690001 to 28-7690067, 28-7690069 to 28-7690146, 28-7690148 to 28-7690209, 28-7690211 to 28-7690347, 28-7690349 to 28-7690479 inclusive.
- B - Used when placard is attached to strap.
- C - Used on serial numbers 28-7690068, 28-7690147, 28-7690210, 28-7690348, 28-7790001 and up.
- D - Order part for serial numbers 28-7890162 and up, if the four position fan switch has been replaced by the three position fan switch.
- E - Used if air conditioning is installed.
- F - Used if fresh air blower is installed.
- G - Used with Transmitter Assembly 761 939 (Model 627674-1).
- H - Used with Transmitter Assembly 761 967 (Model 627810-1).
- J - Used on serial numbers 28-7690068, 28-7690147, 28-7690210, 28-7690348, 28-7790001 to 28-7990626 inclusive.
- K - Used if Century 21 AutoPilot is installed.
- L - Used if push on-off pitch trim switch is installed.
- M - Used if toggle pitch trim switch is installed.
- N - Used if recognition lights are installed.
- P - Used if auxiliary vacuum pump is installed.
- Q - Used if King KAP 100/150 AutoPilot is installed.

Reissued: September 15, 1994

2F23

Island Enterprises

**PIPER AIRCRAFT
PA-28-181
AIRPLANE PARTS CATALOG**

Figure and Index Number	Part Number	Code	Nomenclature	No. Req.	Serial Numbers Affected
76-	35654		DRAWING - Placard Details Installation		28-7690001 to 28-7990626 incl.
	36991		DRAWING - Placard Details Installation		28-8090001 and up
	79605		DRAWING - Exterior Finish		28-7690001 to 28-7690479 incl.
	79732		DRAWING - Exterior Finish		28-7790001 to 28-7790607 incl.
	37959		DRAWING - Exterior Finish		28-7890001 to 28-7890564 incl.
	79833		DRAWING - Exterior Finish		28-7990001 to 28-7990626 incl.
	36586		DRAWING - Exterior Finish		28-8090001 to 28-8090382 incl.
	36796		DRAWING - Exterior Finish		28-8190001 to 28-8190336 incl.
	39848		DRAWING - Exterior Finish		28-8290001 to 28-8290188 incl.
	39891		DRAWING - Exterior Finish		28-8390001 to 2890205 incl.
	83363		DRAWING - Exterior Finish		2890206 and up
-1	35664-02		PLACARD - Flap warning	1	
-2	68555-05		PLACARD - Door lock, white	1	
-3	35669-44		PLACARD - Tire pressure, main	2	
-4	69669-117		PLACARD - Open	1	
-5	69669-118		PLACARD - Latch	1	
-6	13291-00	B	PLACARD - Oleo service instruction	1	
	580 881		PLACARD - Oleo service instruction (decal)	1	
-7	683 019		PLACARD - Turn limit (PAC 35669-10)	1	
-8	35669-05		PLACARD - Turn limit pointer	1	
-9	63933-00		PLACARD - Oleo service instruction (decal)	2	
-10	67786-00		PLACARD - Stabilator trim	1	
-11	66996-00	A	PLACARD - Baggage limitation	1	
	69669-151	C	PLACARD - Baggage limitation	1	
-12	69669-32		PLACARD - Aircraft limitations, mph	1	28-7690001 to 28-7690479 incl.
	69669-76	A	PLACARD - Aircraft limitations, knots	1	
	69669-144	J	PLACARD - Aircraft limitations, knots	1	
	35669-135		PLACARD - Aircraft limitations, knots	1	28-8090001 and up
-13	65219-00		PLACARD - Rudder trim	1	
	84967-175		PLACARD - Rudder trim	1	2890206 and up
-14	66787-00		PLACARD - Cabin bulkhead	1	
-15	69669-110		PLACARD - Seat leg release	2	28-7690001 to 28-7790337 incl.
-16	67490-02	L	PLACARD - Pitch trim	1	
	87369-38	M	PLACARD - Pitch trim	1	
-17	99885-00	A	PLACARD - Landing checklist, mph	1	
	99885-02	A	PLACARD - Landing checklist, knots	1	
	69669-127	J	PLACARD - Landing checklist, knots	1	
-18	99886-02		PLACARD - Takeoff checklist	1	28-7690001 to 28-7990626 incl.
-19	79112-00	D	PLACARD - Climate control center	1	28-7690001 to 28-7690161 incl.
	79112-02	E	PLACARD - Climate control center	1	28-7890162 and up
-20	67241-00		PLACARD - Heater and defrost	1	
	35669-28		PLACARD - Heater and defrost (lift to actuate)	1	
-21	69669-25	F	PLACARD - Vent fan	1	
	35669-38	F	PLACARD - Vent fan	1	28-7890162 and up
-22	65182-04		PLACARD - Maneuvering speed, mph	1	28-7690001 to 28-7690479 incl.
	99735-02	A	PLACARD - Maneuvering speed, knots	1	
	69669-139	J	PLACARD - Maneuvering speed, knots	1	
	35669-136		PLACARD - Maneuvering speed, knots	1	28-8090001 and up
-23	65863-00		PLACARD - Crosswind component, mph	1	
	76222-00		PLACARD - Crosswind component, knots	1	
-24	63408-00		PLACARD - Oil cooler winterization	1	28-7690001 to 28-7990626 incl.
-25	69669-39		PLACARD - Annunciator, press to test	1	
-26	99921-00		PLACARD - Air conditioning door open	1	
-27	69544-00		PLACARD - Carburetor air	1	
-28	35669-154		PLACARD - Altitude reporter installed	1	28-7790001 and up
-29	35669-14		PLACARD - Fuel gauge warning	1	28-7690001 to 28-7790192 incl.

When ordering, always specify Part Number, Description, and Serial Number of Aircraft

PIPER AIRCRAFT

PA-28-181

AIRPLANE PARTS CATALOG

Figure and Index Number	Part Number	Code	Nomenclature	No. Req.	Serial Numbers Affected
76-30	69669-115		PLACARD - Pitot drain	1	
-31	69669-63		PLACARD - Fuel	2	28-7690001 to 28-8090174 incl.
	35669-163		PLACARD - Fuel	2	28-8090175 to 28-8490029 incl.
-32	35669-16		PLACARD - A/P INTR.	1	28-7890001 and up
-33	35669-17		PLACARD - Mike	1	28-7890001 and up
-34	62919-00		PLACARD - Trim indicator	1	
-35	62920-00		PLACARD - Trim	1	
-36	99121-00		PLACARD ASSEMBLY - Alternate static correlation	1	
-37	69669-20		PLACARD - Dome light maximum	1	
	69669-206		PLACARD - Cabin air pull - closed	1	2890206 and up
-38	450 741		DECAL - Lift detector (C52207-3)	1	
-39	69669-16		PLACARD - Circuit breaker panel	1	
-40	69669-90		PLACARD - Circuit breaker panel	1	
-41	69669-17		PLACARD - Instrument lights, black background	1	
-42	66970-03		PLACARD - Instrument lights, panel, black background	1	
-43	69669-173		PLACARD - External power	1	
	69669-205		PLACARD - External power	1	2890206 and up
-44	96602-00		PLACARD - Warning	1	28-7690001 to 28-7990220 incl.
	69669-175		PLACARD - Warning	1	28-7990221 to 28-7990626 incl.
-45	87369-39	M	PLACARD - ON-OFF	1	
-46	66751-00		PLACARD - Electric trim (control wheel)	1	
-47	99448-00		PLACARD - AutoFlite II	1	
-48	69509-00		PLACARD - Omni coupler switch	1	28-7690001 to 28-7990287 incl.
	35669-126		PLACARD - Omni coupler switch	1	28-7990288 to 28-8190018 incl.
-49	69669-15	G	PLACARD - Warning (exposed switch)	1	28-7690001 to 28-7690434 incl.
	69669-66	G	PLACARD - Warning (recessed switch)	1	28-7690001 to 28-7690434 incl.
-50	69669-107	H	PLACARD - Warning	1	28-7690001 to 28-7690434 incl.
	69669-66		PLACARD - Warning	1	28-7690435 and up
-51	35669-23		PLACARD - Gear	1	
-52	35669-130		PLACARD - Emergency bus switch	1	28-8090001 and up
-53	66837-00		PLACARD - Mike jack (with console mike jack)	1	
-54	67471-00		PLACARD - Mike and phone	1	
	66838-00		PLACARD - Headphone	1	
-55	76485-00		NAMEPLATE - Cherokee Archer II	2	28-7690001 to 28-7790607 incl.
	37978-02		NAMEPLATE - Archer II	2	28-7890001 to 28-7890564 incl.
	85438-02		STENCIL - Archer III	2	2890206 and up
-56	37974-02		NAMEPLATE - Piper	2	28-7890001 to 28-7890564 incl.
	78744-02		NAMEPLATE - Piper Archer II	2	28-7990001 to 2890205 incl.
-57	48629-00		MEDALLION - Piper logo	1	28-7690001 to 28-8190336 incl.
-58	99921-00		PLACARD ASSEMBLY - Air conditioning door	1	
-59	79315-00		PLACARD - Piper-Aire	1	
-60	79688-00		DECAL - Piper	2	28-7790001 to 28-7790607 incl.
-61	79275-00		MEDALLION - Control wheel	1	
-62	35669-27		PLACARD - Flap lever	1	
-63	35669-105		PLACARD - ELT location	1	
-64	35669-107		PLACARD - Strobe light outlets	1	28-7890488 and up
-65	35669-125		PLACARD - Radio power ON-OFF	1	28-8090001 and up
-66	65530-00		PLACARD - Baggage compartment	1	28-7690001 to 28-7690479 incl.
	69669-171		PLACARD - Baggage compartment	1	28-7790001 and up
-67	87369-27		PLACARD - Caution	1	28-8090094 and up
-68	35669-179		PLACARD - RPM Instructions	1	28-8090001 and up
-69	65846-00		PLACARD - Engine controls	1	
-70	87341-02		PLACARD - Do Not Push	2	
-71	87341-03		PLACARD - Level point	2	
-72	87341-04		PLACARD - No Step	2	
-73	87341-05		PLACARD - Max. baggage	1	
-74	87334-02		PLACARD - Door release	1	

When ordering, always specify Part Number, Description, and Serial Number of Aircraft

Reissued: September 15, 1994

**PIPER AIRCRAFT
PA-28-181
AIRPLANE PARTS CATALOG**

Figure and Index Number	Part Number	Code	Nomenclature	No. Req.	Serial Numbers Affected
76-75	87340-02		PLACARD - Oil Spec.	1	
-76	35669-188		PLACARD - Transponder identifier	1	28-8190001 and up
-77	87369-05	K	PLACARD - Nav 1 off Nav 2	1	28-8190019 and up
-78	99184-02		PLACARD - Fuel off	1	
-79	99184-05		PLACARD - Fuel	1	
-80	99184-07		PLACARD - Left tank	1	
-81	99184-08		PLACARD - Right tank	1	
-82	35669-132		PLACARD - ELT Warning	1	
-83	456 682		DECAL - Avgas (000002)	2	
-84	87369-53	N	PLACARD - Landing and recognition lights	1	28-8590001 and up
-85	35669-110	Q	PLACARD - Compass system	1	28-8390001 and up
-86	87369-40	Q	PLACARD - Nav 1/Nav 2	1	28-8390001 and up
-87	765 553	P	PLACARD - CAUTION reduce amp load (B4-203-1)	1	
-88	84967-169		PLACARD - Airspeed and crosswind	1	2890206 and up
-89	19099-00		PLATE - Aircraft registration number	1	
-90	84967-130		PLACARD - Night - Day	1	2890206 and up
-91	84967-133		PLACARD - Press to test	1	2890206 and up
-92	84967-145		PLACARD - Amp Altr	1	2890206 and up
-93	84967-138		PLACARD - Climate control center	1	2890206 and up
-94	84967-139		PLACARD - Heat - Def	1	2890206 and up
-95	84967-172		PLACARD - Circuit breaker	1	2890206 and up
-96	84967-171		PLACARD - Circuit breaker	1	2890206 and up
-97	84967-168		PLACARD - Carburetor heat	1	2890206 and up
-98	84967-101		PLACARD - Dimming	1	2890206 and up
-99	84967-131		PLACARD - Phone	2	2890206 and up
-100	84967-132		PLACARD - Mike	2	2890206 and up
-101	84967-179		PLACARD - Dome light	2	2890206 and up

When ordering, always specify Part Number, Description, and Serial Number of Aircraft

Reissued: September 15, 1994

2G2

Island Enterprises

**PIPER AIRCRAFT
PA-28-181
AIRPLANE PARTS CATALOG**

CODE EXPLANATIONS FOR OPTIONAL EQUIPMENT KITS AND REPAIR KITS

- A - Less External Power Connector Plug Assembly, 89097-02.
- B - See latest revision of Piper Service Bulletin 679.
- C - See Piper Service Bulletin 916B, or latest revision.

Reissued: September 15, 1994

2G3

Island Enterprises

PIPER AIRCRAFT PA-28-181 AIRPLANE PARTS CATALOG

Figure and Index Number	Part Number	Code	Nomenclature	No. Req.	Serial Numbers Affected
OPTIONAL EQUIPMENT KITS AND REPAIR KITS					
36733-02			CARD - Passenger briefing		
39713-02			PLOTTER ASSEMBLY - Weight and balance		28-8090001 thru 28-8690024
87548-02			PLOTTER ASSEMBLY - Weight and balance		28-8690025 thru 28-8690056 2890001 thru 2890205
99026-00			EGT INDICATOR INSTALLATION		
566 524			AUXILIARY VACUUM PUMP INSTALLATION (374-4)		28-8690001 and up
757 112			NITROGEN CYLINDER ASSEMBLY (With fittings)		
757 163			PIPER MIXTURE CONTROL INDICATOR		
760 210			ALTERNATE STATIC SYSTEM INSTALLATION		
760 297			PITOT COVER		
760 459			CYLINDER HEAD TEMPERATURE GAUGE INSTALLATION		
760 995			AUTOFLITE II INSTALLATION (With tracker)		
760 996			AUTOFLITE II INSTALLATION (Without tracker)		
761 000			HEATED PITOT STATIC SYSTEM INSTALLATION		
761 006			AUTOCONTROL III B (With radio coupler)		28-7690001 thru 28-8290188
761 007			AUTOCONTROL III B (Without radio coupler)		28-7690001 thru 28-8290188
761 020			ELECTRIC PITCH TRIM		
761 078			PLACARDS AND AIRSPEED INDICATOR REPLACEMENT		28-7690068, 28-7690147 28-7690210, 28-7690348
761 089	A		AUXILIARY POWER RECEPTACLE INSTALLATION		
763 815			AIR CONDITION FAN SWITCH REPLACEMENT		28-7690001 thru 28-7890161
763 828			ENGINE BREATHER TUBE WINTERIZATION KIT		
763 842			ELT REPLACEMENT (Garrett or Communications Components Corp ELT to Narco ELT 10)		
763 848			PRESSURE SENSITIVE SAFETY WINGWALK INSTALLATION		
763 920			IMPROVED CABIN HEAT CENTER DUCT		28-7690001 thru 28-8090132
763 962			DOOR JAMB SNUBBER INSTALLATION		
763 966			SHOULDER HARNESS INSTALLATION - Passenger seats		
764 009	B		THROTTLE LINKAGE MODIFICATION - (78852)		28-7790032 thru 28-8090227
764 050			CARBURETOR ICE DETECTOR INSTALLATION		
764 992			NOSE GEAR STEERING MODIFICATION		28-7690001 thru 28-8490076
765 122			AVIONICS COOLING BLOWER REPLACEMENT		28-8290001 thru 28-8590009
765 157			BATTERY STRAP INSTALLATION		28-7690001 thru 28-8590035
765 399	C		STALL STRIP INSTALLATION		28-8090363 thru 28-8690056, 2890001 thru 2890134, 2890136 thru 2890139, 2890145.

When ordering, always specify Part Number, Description, and Serial Number of Aircraft

**PIPER AIRCRAFT
PA-28-181
AIRPLANE PARTS CATALOG**

CODE EXPLANATIONS FOR MISCELLANEOUS HARDWARE AND CONSUMABLES

- A - Common hardware to Piper part number cross reference available on Aerofiche. Contact your local Piper distributor for more information.
- B - Used on wing installation. Some items are also used in other places on aircraft.
- C - Location and quantity of items is found on applicable installation drawings.

Reissued: September 15, 1994

2G5

Island Enterprises

**PIPER AIRCRAFT
PA-28-181
AIRPLANE PARTS CATALOG**

Figure and Index Number	Part Number	Code	Nomenclature	No. Req.	Serial Numbers Affected
MISCELLANEOUS HARDWARE AND CONSUMABLES					
1766 005	A		AEROFICHE - Common hardware part number cross reference		
279 035	B,C		ADHESIVE HYSOL - 9309, 1 quart kit	AR	
279 041	B,C		ADHESIVE HYSOL - 9309, 50 gram kit	AR	
522 650	B,C		RIVET - Cherry max, 4-2	AR	
522 651	B,C		RIVET - Cherry max, 4-3	AR	
420 250	B,C		RIVET - MS20470AD6-9	AR	
420 233	B,C		RIVET - MS20470AD5-7	AR	
420 234	B,C		RIVET - MS20470AD5-8	AR	
420 235	B,C		RIVET - MS20470AD5-9	AR	
680 634	B,C		RIVET - HL18-6-6	AR	
680 679	B,C		RIVET - HL18-6-5	AR	
680 677	B,C		RIVET - HL18-6-4	AR	
522 602	C		RIVET - CR2245-4-3	AR	
522 603	C		RIVET - CR2245-4-4	AR	
522 604	C		RIVET - CR2245-4-5	AR	
522 605	C		RIVET - CR2245-4-6	AR	
522 690	C		RIVET - CR3245-4-2	AR	
522 882	C		RIVET - CR2249-4-2	AR	
523 171	C		RIVET - NAS1769D4-2	AR	
523 172	C		RIVET - NAS1769D4-3	AR	
680 684	C		RIVET - HL18-10-10	AR	
680 687	C		RIVET - HL19-6-10	AR	
680 638	C		RIVET - HL19-6-11	AR	
556 122	C		COLLAR - HL82-6AW	AR	
557 352	C		COLLAR - HL70-10	AR	
420 200	C		RIVET - MS20470AD3-3	AR	
520 200	C		RIVET - MS20470AD3-3.5	AR	
420 217	C		RIVET - MS20470AD4-5	AR	
423 183	C		RIVET - CR3245-4-1	AR	
522 690	C		RIVET - CR3245-4-2	AR	
423 185	C		RIVET - CR3245-4-3	AR	
279 021	C		ADHESIVE - RTV-157	AR	
279 029	C		ADHESIVE - RTV-133	AR	
279 038	C		ADHESIVE - Versalok 204, kit	AR	
912 020	C		ADHESIVE - EC801	AR	
912 018	C		CEMENT - A56B	AR	
912 019	C		CEMENT - EC1300L	AR	
921 387	C		CLEANER - M-0764	AR	
922 950	C		LUBRICANT - OCR 404	AR	
923 384	C		OIL - Refrigeration, 14 ounce bottle (Approved for usage in R134a systems.)	AR	

When ordering, always specify Part Number, Description, and Serial Number of Aircraft

Reissued: September 15, 1994

2G6

Island Enterprises

**PIPER AIRCRAFT
PA-28-181
AIRPLANE PARTS CATALOG**

Figure and Index Number	Part Number	Code	Nomenclature	No. Req.	Serial Numbers Affected
MISCELLANEOUS HARDWARE AND CONSUMABLES (continued)					
179 754		C	SEALANT - PR1422B2	AR	
179 760		C	SEALANT - RTV-108	AR	
179 771		C	SEALANT - 5674-7	AR	
279 029		C	SEALANT - RTV133	AR	
279 034		C	SEALANT - PR1435G	AR	
279 036		C	SEALANT - PR1403GB2	AR	
279 058		C	SEALANT - 1100FS, white	AR	
189 721		C	TAPE - Window, PVC foam, gray, 1 inch wide, roll	AR	
189 750		C	TAPE - Windshield, black vinyl, 1 1/2 inch wide, roll	AR	
289 789		C	TAPE - Power plant, Teflon, 1 inch wide, roll	AR	
289 791		C	TAPE - Storm window seal, 3/16 inch wide, roll	AR	
380 002		C	TAPE - Window, PVC foam, gray, 1 inch wide, roll	AR	
924 450		C	TAPE - Air conditioning condenser installation, 1 inch wide, roll	AR	
924 529		C	WAX - Gary's cream, gallon	AR	

When ordering, always specify Part Number, Description, and Serial Number of Aircraft

Reissued: September 15, 1994

**PIPER AIRCRAFT
PA-28-181
AIRPLANE PARTS CATALOG**

THIS PAGE INTENTIONALLY LEFT BLANK

**PIPER AIRCRAFT
PA-28-181
AIRPLANE PARTS CATALOG**

Part Number	Figure and Index No.	Part Number	Figure and Index No.	Part Number	Figure and Index No.	Part Number	Figure and Index No.
02585-04	36B-1	22105-02	45A-32	35202-00	62-9	35615-03	3-31
02585-05	36B-1	22105-03	54-42	35207-00	60A-32	35615-04	3-34
02585-06	36B-1	22482-00	12-43	35208-00	60-34	35615-05	3-34
11473-40	20-34	23969-02	59-10	35208-02	60-35	35616-00	4-19
12715-00	59-15	23969-02	60-49	35208-03	60-36	35616-01	4-19
12761-02	10-45	23969-02	62-6	35208-04	60-37	35617-00	4-20
12761-02	13-4	23969-02	73-24	35208-04	69B-4	35617-01	4-20
12761-02	14-4	23969-03	59-11	35208-09	69B-5	35618-00	4-21
12761-02	59-1	23969-03	60-50	35208-10	69B-6	35618-01	4-21
13071-00	20-33	23969-03	62A-14	35209-00	60-3	35619-00	4-22
13074-02	21-2	23969-05	62-7	35212-00	60-9	35619-01	4-22
13291-00	20-30	24048-00	44-5	35214-00	59-54	35619-04	4-22
13291-00	76-6	24791-06	41A-12	35214-02	59-54	35619-05	4-22
14470-00	45-59	24793-04	41A-14	35262-02	20-36	35620-00	4-23
14470-00	45A-13	24820-00	41A-16	35270-00	20-8	35620-01	4-23
14513-00	42A-11	26749-07	38-2	35281-00	20-17	35621-00	4-24
14627-03	13-22	26898-03	59-47	35282-04	20-16	35621-01	4-24
14635-02	13-24	26898-05	63A-13	35283-00	20-15	35630-900	2-1
14843-90	13-33	31197-00	45-57	35284-03	20-12	35630-901	2-1
15086-00	33-34	31197-00	45A-27	35300-00	41A-1	35630-906	2-2
15206-02	21-9	32380-00	35-22	35328-800	45A-2	35630-906	3-1
17766-06	45-40	32380-00	35-35	35328-803	45A-2	35630-907	2-2
17766-06	45A-14	35118-04	3-20	35362-00	4-15	35630-907	3-1
18078-00	45-60	35118-05	3-20	35378-00	4-25	35630-908	2-3
18219-02	44-27	35118-12	3-36	35378-01	4-25	35630-908	3-19
18321-00	45-66	35118-13	3-33	35402-00	49-20	35630-909	2-3
18321-00	45A-28	35118-22	3-27	35420-04	4-13	35630-909	3-19
18321-00	59-4	35118-23	3-27	35421-04	4-14	35630-912	2-4
18457-00	2-5	35118-24	3-21	35421-05	4-14	35630-912	4-1
18622-00	40-9	35118-25	3-21	35422-04	4-13	35630-913	2-4
18968-00	35-10	35118-28	3-35	35432-00	20-17	35630-913	4-1
18968-00	36-10	35118-29	3-35	35433-00	20-12	35630-972	2-4
19063-02	13-2	35118-30	3-35	35448-00	40A-9b	35630-972	4-1
19063-02	14-2	35118-29	3-35	35454-00	45A-45	35630-973	2-4
19099-00	76-89	35118-30	3-26	35457-00	45A-19	35630-973	4-1
19336-00	35-19	35118-31	3-26	35476-01	48-62	35630-980	2-1
19336-00	35-32	35118-47	3-24	35507-02	39-41	35630-981	2-1
19336-00	36-9	35118-49	3-24	35573-00	4-17a	35632-02	4-9
19336-00	36A-33	35118-953	3-22	35573-00	4-47	35632-03	4-9
19336-01	35-19	35118-954	3-22	35574-00	39-8	35632-04	4-10
19336-01	35-32	35140-02	3-32	35592-00	3-30	35632-05	4-10
19336-01	36-9	35142-00	11-11	35592-01	3-30	35633-02	2-9
19336-01	36A-33	35142-01	11-11	35594-02	2-8a	35633-02	47-1
19365-02	35-21	35158-02	20-31	35594-05	2-8b	35633-03	2-9
19365-02	35-34	35166-00	3-28	35603-20	4-42	35633-03	47-1
19365-02	36-11	35166-01	3-28	35603-21	4-42	35633-04	2-9
19365-02	36A-35	35168-08	4-2	35603-26	4-44	35633-04	47-1
19392-15	35-33	35168-09	4-2	35603-27	4-44	35633-05	2-9
21176-00	13-65	35168-12	4-6	35603-800	4-16	35633-05	47-1
21230-00	45-62	35168-13	4-6	35603-801	4-16	35634-00	4-17
21230-00	45A-56	35174-04	4-7	35614-02	48-61	35634-01	4-17
21741-00	9-28	35174-05	4-7	35614-03	48-61	35634-04	4-17
21843-00	13-35	35182-00	3-29	35614-10	48-61	35634-05	4-17
21844-00	13-36	35182-01	3-29	35614-11	48-61	35634-10	4-46
22103-03	44-35	35201-00	62-10	35615-02	3-31	35634-11	4-46

Reissued: September 15, 1994

**PIPER AIRCRAFT
PA-28-181
AIRPLANE PARTS CATALOG**

Part Number	Figure and Index No.	Part Number	Figure and Index No.	Part Number	Figure and Index No.	Part Number	Figure and Index No.
35634-14	4-48	35669-17	76-33	35789-02	45A-8	37881-03	28-29
35634-15	4-48	35669-23	28-22	35944-15	28-1	37882-02	28-2
35636-00	4-38	35669-23	76-51	36511-02	54-2	37882-02	28-14
35637-00	4-28	35669-27	49-55	36511-03	54-2	37882-04	28-3
35637-01	4-28	35669-27	76-62	36535-02	38-2	37882-04	28-15
35638-00	47-8	35669-28	37-8	36558-02	54-8	37897-02	4-15a
35638-01	47-8	35669-28	76-20	36558-04	54-9	37902-02	36-45
35640-00	2-10	35669-38	37-9	36558-07	54-7	37902-05	36-49
35640-00	5-1	35669-38	76-21	36559-03	28-10	37902-05	36A-42b
35640-01	2-10	35669-44	28-13a	36559-06	28-9	37902-06	36-45
35640-01	5-1	35669-44	76-3	36565-02	10-54	37902-06	36A-41
35640-02	5-2	35669-44	75-65	36565-03	10-53	37902-08	36-46
35640-03	5-2	35669-105	70-19	36567-03	37-10	37902-08	36A-42
35640-04	5-3	35669-105	71-13	36567-05	37-10	37925-02	28-5
35640-05	5-3	35669-105	71A-12	36572-03	14-57	37925-06	28-7
35640-06	5-4	35669-105	71B-4	36588-02	33-60	37925-07	28-6
35640-07	5-4	35669-105	76-63	36588-03	33-60	37926-03	28-9
35640-08	5-5	35669-107	66-17	36588-04	33-60	37926-04	28-10
35640-09	5-5	35669-107	76-64	36589-02	33-10	37974-02	76-56
35640-10	5-6	35669-110	69B-7	36590-02	14-49	37978-02	76-55
35640-11	5-6	35669-110	76-85	36598-02	14-45	37994-02	39-46
35640-12	5-7	35669-125	37-78	36612-02	55-49	37997-02	55-14
35640-13	5-7	35669-125	76-65	36615-05	55-47	37997-02	57-5
35640-14	5-8	35669-126	69-21	36616-03	55-48	37997-02	57A-5
35640-15	5-8	35669-126	76-48	36625-02	47-12	38019-03	40A-10
35640-16	5-9	35669-130	37-65	36625-03	47-12	38019-05	40A-17
35640-17	5-9	35669-130	76-52	36660-02	37-59	38118-00	3-5
35640-18	5-10	35669-132	71A-11	36706-02	16-5	38118-05	2-45
35640-19	5-10	35669-132	76-82	36722-02	14-66	38222-00	16-4
35640-20	5-11	35669-135	76-36	36733-02	Misc.	38226-00	37-33
35640-21	5-12	35669-135	76-12	36739-02	2-12	38643-08	2-1
35640-22	5-13	35669-136	37-11	36739-03	2-12	38643-09	2-1
35641-00	2-12	35669-136	76-22	36739-04	2-12	38905-03	59-66
35641-01	2-12	35669-154	72-6	36739-05	2-12	39713-02	Misc.
35641-06	2-12a	35669-154	76-28	36739-18	2-12	39745-10	75-17
35641-07	2-12a	35669-163	47-18	36739-19	2-12	39769-02	8-8
35641-08	2-12b	35669-163	76-31	36739-28	2-12c	39769-04	8-8
35641-09	2-12b	35669-179	37-80	36739-29	2-12c	39800-02	69A-1
3564t-10	2-12	35669-179	76-68	36806-06	2-12d	39824-02	47-2
35641-11	2-12	35669-188	52-44	36806-07	2-12d	39829-02	47-3
35642-00	3-4	35669-188	76-76	36934-02	60-42	39830-800	47-2
35642-01	3-4	35680-11	37-73	36935-02	60-39	39856-02	47-4a
35644-04	24-21	35680-12	37-75	36938-04	35-38	39875-02	8-31
35644-05	24-21	35680-22	37-76	37729-02	52-39	39876-02	8-41
35655-02	41-2	35680-26	37-73	37848-02	36-26	39877-02	37-10
35656-02	41-3	35688-02	34-19	37848-02	36A-15	39995-50	40A-22
35664-02	2-43	35696-02	39-12	37872-03	37-69	39995-50	40A-23
35664-02	76-1	35696-02	39-50	37872-04	37-70	41001-04	48-68
35669-05	20-40	35715-03	45A-3	37872-05	37-71	41001-10	48-1
35669-05	76-8	35725-02	2-6	37872-07	37-72	42513-04	63A-1
35669-14	37-66	35731-00	4-39	37880-02	24-51	48629-00	76-57
35669-14	76-29	35731-00	4-45	37880-02	28-27	50111-00	49-15
35669-16	52-40	35731-01	4-39	37880-03	24-51	51006-00	37A-15
35669-16	76-32	35731-01	4-45	37880-03	28-27	52586-02	68-1
35669-17	52-41	35789-02	45-13	37881-02	28-29	53916-00	60B-14

Reissued: September 15, 1994

2G10

Island Enterprises

**PIPER AIRCRAFT
PA-28-181
AIRPLANE PARTS CATALOG**

Part Number	Figure and Index No.	Part Number	Figure and Index No.	Part Number	Figure and Index No.	Part Number	Figure and Index No.
56958-28	45A-61	62239-00	73-15	62430-00	9-31	62541-01	7-32
61879-02	40-8	62279-00	62-3	62438-00	8-3	62542-00	10-16
61879-02	40A-8	62301-03	45-4	62441-00	10-12	62542-01	10-16
62002-02	16-37	62302-03	45-18	62441-01	10-12	62543-00	10-4
62002-03	16-38	62303-00	45-15	62443-00	12-11	62543-02	10-4
62002-04	16-39	62305-00	45-47	62444-05	12-13	62544-00	10-11
62019-03	52-6	62305-00	464	62445-00	12-17	62544-01	10-11
62021-00	3-3	62309-00	45-52	62448-02	11-9	62546-00	10-31
62021-01	3-3	62320-03	6-13	62448-03	11-9	62549-00	7-30
62033-00	47-9	62324-00	6-5	62451-00	12-18	62550-00	10-34
62044-00	47-15	62324-01	6-5	62452-00	12-19	62550-01	10-34
62049-00	3-25	62327-00	6-7	62452-01	12-19	62551-00	10-18
62049-01	3-25	62328-00	6-8	62453-00	12-15	62551-01	10-18
62059-00	47-16	62328-00	6-9	62455-00	12-20	62554-00	10-5
62060-00	47-11	62328-01	6-8	62457-00	12-21	62554-00	10-10
62060-01	47-11	62328-01	6-9	62457-01	12-21	62557-04	35-52
62060-04	47-11	62330-00	6-11	62463-00	12-56	62558-00	10-9
62060-05	47-11	62330-01	6-11	62464-00	12-57	62558-01	10-9
62061-02	3-17	62331-00	6-12	62465-00	12-58	62563-01	11-10
62061-04	4-18	62331-01	6-12	62471-00	12-27	62563-02	11-10
62066-00	3-18	62332-00	6-10	62473-00	8-17	62571-00	9-69
62071-00	4-3	62332-02	6-10	62473-02	8-17	62581-00	10-19
62071-01	4-3	62336-30	6-17	62477-00	9-33	62581-01	10-19
62072-00	4-4	62336-01	6-17	62477-01	9-33	62583-00	10-35
62072-02	4-4	62371-08	4-37	62483-02	9-64	62583-01	10-35
62073-02	4-6a	62383-03	42-11	62485-00	8-18	62598-00	10-20
62073-03	4-6a	62387-07	42-10	62485-01	8-18	62601-03	10-40
62079-00	4-5	62387-09	42-10	62493-00	7-13	62603-00	10-41
62086-00	3-8	62400-02	13-7	62494-02	9-10	62603-01	10-41
62086-01	3-8	62400-02	14-67	62495-02	9-11	62618-00	11-14
62087-00	3-9	62410-00	9-30	62499-02	8-20	62618-01	11-14
62091-02	3-15	62410-01	9-30	62501-00	9-53	62619-00	11-15
62095-00	2-7	62411-02	11-8	62505-00	9-36	62620-00	10-44
62105-00	4-11	62412-02	9-29	62507-00	7-16	62630-00	12-9
62105-02	4-12	62413-00	12-38	62509-02	9.35	62632-00	9-62
62109-00	2-44	62413-01	12-38	62509-03	9-35	62633-00	9-63
62109-00	10-51a	62414-00	1241	62509-04	9-35	62634-00	9-59
62121-00	2-13	62414-01	12-41	62511-02	9-9	62635-00	9-58
62129-03	4-31	62419-11	9-68	62518-14	9-18	62636-00	9-60
62129-04	4-31	62420-11	7-21	62518-15	9-18	62637-00	9-57
62129-07	4-32	62420-23	9-24	62518-17	9-17	62639-00	9-42
62129-08	4-32	62420-24	9-24	62522-00	8-7	62639-01	9-42
62178-00	54-10	62420-25	9-24	62525-00	10-14	62644-00	9-56
62219-00	45-17	62420-26	9-24	62525-01	10-14	62645-04	12-36
62219-00	45A-35	62421-00	10-37	62528-00	10-7	62653-06	8-21
62226-00	63-1	62421-01	10-37	62528-01	10-7	62654-00	35-53
62227-00	63-2	62423-00	9-37	62529-00	11-13	62656-00	9-52
62230-00	41-4	62425-00	8-15	62531-00	11-5	62662-00	12-12
62230-00	41A-3	62425-01	8-15	62534-00	11-4	62664-00	10-55
62231-00	41-5	62426-05	9-6	62536-04	10-33	62665-02	12-8
62231-05	41A-2	62427-00	9-7	62536-05	10-33	62674-01	8-22
62232-03	41-6	62427-02	9-7	62537-00	11-3	62677-00	9-45
62232-03	41A-4	62428-00	10-32	62539-00	10-25	62695-04	11-7
62233-00	42-8	62428-01	10-32	62540-00	10-26	62701-08	48-8
62234-00	42-9	62429-00	9-8	62541-00	7-32	62701-08	48-9

Reissued: September 15, 1994

**PIPER AIRCRAFT
PA-28-181
AIRPLANE PARTS CATALOG**

Part Number	Figure and Index No.	Part Number	Figure and Index No.	Part Number	Figure and Index No.	Part Number	Figure and Index No.
62701-12	48-12	62746-00	48-17	62845-02	52-12	63070-45	15-2
62701-13	48-13	62753-00	12-14	62856-00	49-50	63070-46	15-1
62701-47	50-1	62762-00	48-18	62856-01	49-50	63071-02	15-22
62701-99	48-2	62763-00	10-36	62858-02	52-28	63071-12	15-23
62701-100	48-6	62764-00	49-21	62858-03	49-29	63071-18	15-24
62701-100	48-7	62764-02	49-24	62858-04	49-30	63078-06	12-51
62701-101	49-31	62768-00	48-31	62867-02	31-14	63085-00	43-14
62701-104	50-12	62769-00	48-32	62892-03	41-1	63086-00	43-15
62701-111	67-4	62778-00	52-14	62919-00	76-34	63092-00	42-7
62701-113	48-10	62782-00	52-24	62920-00	76-35	63093-00	42-6
62701-114	48-11	62784-00	52-25	62921-00	40-15	63130-02	34-16
62701-122	48-3	62789-02	49-3	62922-02	43-1	63142-39	33-18
62701-123	48-4	62820-00	49-27	62924-02	47-21	63142-48	33-20
62701-124	48-5	62821-00	49-28	62928-00	4543	63142-51	33-20
62703-33	52-7	62829-03	51-2	62938-00	40-10	63142-55	33-18
62705-00	49-1	62831-00	51-5	62962-00	54-38	63142-56	33-19
62706-06	49-5	62832-00	51-6	62969-00	54-6	63144-00	33-3
62709-00	50-51	62833-06	14-47	62980-00	40-28	63149-16	15-39
62710-02	48-59	62833-07	28-35	62980-02	40A-28	63149-17	15-39
62710-03	50-15	62833-17	53-11	62981-06	41-7	63149-20	15-39
62711-02	48-15	62833-18	50-48	62981-07	41-7	63149-21	15-39
62711-02	49-32	62833-21	13-68	62985-00	40-11	63185-06	34-14
62711-03	48-28	62833-21	1442	62987-00	40-12	63186-02	16-22
62711-03	48-28	62833-27	24-30	62988-04	43-9	63186-04	29-2
62711-03	50-7	62833-29	40-51	62988-05	43-9	63186-21	16-21
62711-03	50-7a	62833-39	13-87	62989-00	40-14	63186-33	29-5
62711-04	50-52	62833-39	14-71	62992-00	40-20	63207-00	39-18
62712-02	49-34	62833-46	44-6	62992-00	40A-20	63211-00	72-2
62712-03	48-14	62833-74	64-37	62998-00	40-15	63211-00	72-3
62712-04	52-11	62833-78	36-15	62998-00	40A-42	63243-08	41-12
62713-02	49-33	62833-78	36A-4	62999-00	40-15	63244-02	42-1
62713-03	48-16	62833-82	56-10	62999-00	40A-41	63246-04	40-17
62714-02	48-19	62833-82	56A-10	63012-00	13-63	63285-00	8-6a
62714-02	50-9	62833-83	56-38	63020-02	13-82	63287-00	10-60
62714-03	48-20	62833-83	56A-38	63020-02	14-72	63288-00	10-61
62714-04	50-10	62833-85	52-32	63036-00	13-40	63293-02	9-40
62715-02	48-29	62833-86	52-32	63036-03	14-51	63293-02	34-15
62715-02	48-30	62833-101	44-32	63036-04	14-51	63300-08	20-29
62715-02	50-8	62833-101	44-38	63037-00	9-38	63307-00	24-25
62716-07	52-17	62833-101	58-32	63038-02	9-13	63308-00	24-2a
62725-00	49-2	62833-101	58-33	63039-00	13-48	63310-00	24-46
62727-00	49-51	62833-101	58-34	63039-00	13-53	63311-00	24-45
62727-01	49-51	62833-101	58A-32	63039-00	1443	63311-03	24-48
62733-00	49-12	62833-101	58A-33	63039-04	44-15	63312-00	24-29
62734-00	49-13	62833-101	58A-34	63042-02	13-43	63312-00	24-44
62734-02	49-13	62833-104	54-44	63042-03	14-50	63312-02	24-29
62736-00	49-14	62833-105	14-36	63045-00	13-44	63314-00	24-42
62740-00	49-7	62833-107	1444	63045-00	14-48	63315-00	24-41
62743-02	48-21	62833-107	14-56	63070-05	15-4	63325-00	30-1
62743-03	48-22	62833-127	51-4	63070-07	15-5	63332-03	24-5
62743-04	48-23	62833-144	51-4	63070-11	15 4	63332-06	24-6
62743-05	48-24	62838-00	51-10	63070-41	15-2	63338-00	29-1
62743-06	48-25	62839-00	52-13	63070-42	15-1	63341-00	29-6
62743-08	48-65	62840-02	52-29	63070-43	15-3	63342-00	29-7
62743-08	50-11	62840-03	52-30	63070-44	15-3	63354-00	8-33

Reissued: September 15, 1994

2G12

Island Enterprises

**PIPER AIRCRAFT
PA-28-181
AIRPLANE PARTS CATALOG**

Part Number	Figure and Index No.	Part Number	Figure and Index No.	Part Number	Figure and Index No.	Part Number	Figure and Index No.
63355-09	30-6	63530-00	50-49	63633-148	55-19	63900-55	50-21
63356-00	30-7	63531-00	64-38	63633-152	55-21	63900-56	50-20
63357-00	30-8	63543-00	19-3	63633-169	75-5	63900-59	50-53
63370-04	24-51	63544-00	194	63633-184	55-46	63900-60	50-54
63370-04	27-6	63545-00	19-5	63633-186	75-6	63900-61	50-23
63370-05	24-51	63546-00	19-6	63633-207	54-49	63900-64	8-39
63370-05	27-6	63550-00	19-8	63633-208	54-51	63900-66	67-5
63383-00	21-4	63560-02	16-8	63684-04	40-13	63900-67	67-6
63391-02	49-11	63560-02	17-23	63684-04	40A-13	63900-78	44-32
63391-03	49-10	63560-03	17-24	63744-09	15-14	63900-78	44-38
63392-00	17-2	63561-05	17-12	63779-00	49-18	63900-108	28-26
63392-01	17-2	63562-00	17-13	63781-07	49-9	63900-119	44-38
63393-00	17-3	63563-00	17-20	63782-03	49-17	63900-119	48-66
63393-01	17-3	63564-00	17-21	63782-04	49-8	63900-124	50-56
63395-00	19-9	63565-02	17-22	63803-04	45-44	63900-131	30-14
63396-02	19-2	63566-02	17-17	63806-00	45-53	63900-145	35-45
63398-00	18-4	63566-02	17-18	63806-00	45A-20	63900-145	38A-28
63398-01	18-4	63566-03	17-17	63807-00	45-54	63900-149	35-46
63404-00	52-15	63566-03	17-18	63807-00	45A-21	63900-174	49-44
63408-00	37-13	63567-00	17-19	63824-06	45-45	63901-07	45-38
63408-00	42A-10	63569-00	17-14	63824-06	45A-22	63901-07	45A-15
63408-00	76-24	63570-00	17-15	63825-06	45-46	63901-09	30-10
63419-00	53-3	63571-00	17-16	63825-06	45A-23	63901-09	31-2
63420-08	53-2	63572-00	17-9	63837-00	45-55	63901-12	45-34
63423-04	8-6	63573-00	17-4	63837-00	45A-24	63901-14	45-32
63436-00	8-4	63573-01	17-4	63838-00	45-56	63901-17	24-3
63436-01	8-4	63575-00	17-5	63838-00	45A-25	63901-19	45-36
63451-00	53-14	63575-02	17-5	63862-16	59-56	63901-21	31-3
63455-00	53-13	63584-10	16-6	63862-136	59-55	63901-22	31-4
63456-00	53-9	63585-00	16-7	63862-200	59-55	63901-26	40-22
63458-05	534	63585-01	16-7	63882-08	48-46	63901-27	40-26
63459-19	53-1	63586-00	16-9	63882-09	50-35	63901-27	40A-26
63464-00	31-6	63586-01	16-9	63882-31	54-33	63901-43	40-23
63466-00	30-2	63587-00	16-10	63882-68	4846	63901-57	45A-16
63468-00	31-7	63587-01	16-11	63897-06	55-54	63901-74	45A-17
63469-00	31-8	63588-00	16-12	63897-06	56-28	63901-77	45-40
63469-01	31-9	63594-00	31-5	63897-06	64-34	63901-77	45A-14
63470-00	31-10	63594-01	31-5	63900-14	42-13	63901-81	45A-68
63478-00	31-12	63595-00	2-14	63900-14	42A-5	63902-25	55-44
63479-00	45-5	63605-00	42-14	63900-19	2-22	63904-06	62-11
63479-00	45A-7	63605-00	42A-7	63900-20	2-23	63904-20	62-12
63482-00	24-13	63633-15	54-11	63900-25	39-31	63904-29	38-16
63484-00	24-2	63633-23	4542	63900-30	3-11	63904-29	38A-9
63485-00	31-13	63633-38	54-31	63900-31	48-26	63904-71	56-23
63485-01	31-13	63633-56	54-12	63900-31	48-47	63904-72	56-20
63485-02	31-13	63633-59	5448	63900-37	48-27	63904-72	56A-20
63485-03	31-13	63633-60	54-47	63900-38	49-25	63904-80	56-23
63501-03	18-5	63633-88	40-24	63900-39	49-26	63904-80	56A-23
63502-00	18-6	63633-89	54-30	63900-41	20-42	63904-89	12-60
63504-00	18-10	63633-100	57-18	63900-46	9-26	63904-89	55-22
63506-00	18-9	63633-100	57A-18	63900-47	9-25	63904-112	55-55
63509-00	18-12	63633-126	55-20	6390048	9-27	63913-07	38-11
63510-00	18-14	63633-127	55-19	63900-50	1345	63913-07	38A-14
63513-00	18-2	63633-135	75-12	63900-50	14-52	63913-07	38A-25
63515-00	18-13	63633-136	75-2	63900-54	35-11	63913-10	30-11

Reissued: September 15, 1994

**PIPER AIRCRAFT
PA-28-181
AIRPLANE PARTS CATALOG**

Part Number	Figure and Index No.	Part Number	Figure and Index No.	Part Number	Figure and Index No.	Part Number	Figure and Index No.
63913-11	45-39	65114-00	12-35	65345-03	164	65674-07	33-4
63913-25	45-33	65116-00	9-44	65372-00	59-44	65674-09	33-4
63913-26	40-21	65117-00	9-44	65383-00	11-16	65674-11	33-4
63913-26	40A-21	65126-00	10-46	65384-00	7-39	65674-13	33-4
63913-37	72-5	65126-01	10-47	65403-00	40-16	65674-15	334
63913-40	45-35	65128-00	11-18	65429-02	45-60	65688-00	29-3
63913-41	45-37	65128-01	11-18	65429-02	45A-55	65688-01	29-3
63913-42	40-27	65134-02	8-9	65430-03	24-43	65688-02	29-4
63913-44	38-13	65134-03	8-10	65431-00	7-40	65688-03	29-4
63913-44	38A-26	65134-04	8-11	65432-00	21-30	65690-00	4-15b
63913-47	38-14	65134-05	8-38	65440-07	13-3	65690-01	4-15b
63913-47	38A-15	65134-06	8-38	65440-07	14-3	65727-00	13-81
63913-49	38-15	65148-00	43-2	65440-801	13-3	65727-00	14-64
63913-64	38-16	65148-01	43-2	65440-801	14-3	65735-18	33-26
63913-81	38-12	65150-00	43A-2	65455-00	43-16	65735-19	33-30
63913-81	38A-10	65151-00	43-12	65494-00	1248	65741-00	15-12
63913-106	39-17	65152-11	45-19	65530-00	13-86	65742-00	15-11
63913-122	39-4	65165-87	58-26	65530-00	14-65	65773-00	2-20
63913-123	39-3	65165-87	58A-26	65530-00	76-66	65782-00	15-13
63913-143	67-22	65182-04	37-11	65540-02	41-8	65784-00	67-13
63913-143	67-29	65182-04	76-22	65543-00	10-4	65797-07	39-1
63913-151	67-29	65192-09	73-14	65543-00	41-9	65798-03	15-8
63913-193	47-13	65199-00	64-39	65543-02	41A-9	65798-04	15-8
63913-194	47-17	65199-04	6440	65545-00	54-5	65798-05	15-8
63913-199	57-19	65199-05	64-39	65556-00	7-31	65803-03	40-4
63913-199	57A-19	65202-05	43-17	65556-02	7-31	65804-00	40-5
63913-209	40A-27	65203-02	27-5	65570-00	9-41	65805-00	40-3
63914-07	30-12	65203-03	27-5	65570-01	9-41	65821-05	67-1
63915-05	59-39	65219-00	33-37	65572-00	9-32	65826-05	15-7
63915-06	30-13	65219-00	76-13	65572-01	9-32	65826-06	15-7
63915-11	45-68	65240-00	43-6	65586-04	6-14	65826-07	15-7
63915-14	45-67	65240-01	43-6	65586-05	6-14	65836-00	51-3
63915-14	45A-30	65241-00	43-7	65587-00	6-15	65837-02	51-1
63915-17	20-10	65244-00	50-46	65588-00	6-3	65845-04	8-2
63915-18	45A-31	65245-00	50-50	65589-00	6-4	65845-05	8-2
63927-00	8-37	65246-00	50-37	65590-01	2-11	65846-00	33-5a
63933-00	24-49	65248-00	50-42	65590-01	6-1	65846-00	76-69
63933-00	28-40	65249-00	50-38	65591-00	2-11	65850-00	44-1
63933-00	76-9	65250-02	50-3	65591-00	6-1	65850-02	44-1
63942-00	2-46	65251-00	50-47	65592-00	6-2	65863-00	37-12
63942-01	2-46	65252-00	50-39	65592-01	6-2	65863-00	76-23
63947-00	12-28	65253-00	50-40	65593-01	6-16	65865-00	33-44
63947-00	62-18	65254-00	50-27	65594-01	6-15	65866-00	33-43
65003-03	53-12	65269-02	33-28	65595-01	6-18	65867-00	33-45
65003-04	48-67	65276-02	21-29	65632-03	50-13	65869-00	33-25
65003-06	50-36	65280-00	21-8	65633-00	50-4	65870-00	33-47
65003-10	15-15	65291-03	43-5	65635-00	50-6	65871-00	33-46
65003-47	35-9	65291-03	43A-15	65636-00	10-17	65889-00	43-11
65003-56	58-6	65318-00	54-15	65639-00	50-14	65895-00	15-10
65003-57	48-67	65319-04	24-39	65640-00	12-7	65896-Q0	15-9
65007-04	21-6	65331-06	27-1	65640-08	12-7	65896-02	15-9
65034-00	18-11	65341-00	19-10	65649-00	63-3	65898-00	4-33
65034-01	18-11	65342-02	16-2	65654-06	49-6	65898-01	4-33
65050-00	53-10	65342-02	19-1	65672-05	33-29	65898-04	4-35
65061-00	43A-18	65343-00	12-53	65674-05	33-4	65898-07	4-40

Reissued: September 15, 1994

2G14

Island Enterprises

**PIPER AIRCRAFT
PA-28-181
AIRPLANE PARTS CATALOG**

Part Number	Figure and Index No.	Part Number	Figure and Index No.	Part Number	Figure and Index No.	Part Number	Figure and Index No.
65899-00	6-6	66793-18	14-1	67196-00	61-10	67463-00	52-5
66546-00	52-33	66795-00	11-6	67196-05	61-10	67466-00	37-31
66580-02	59-13	66795-02	11-6	67206-02	44-24	67471-00	73-16
66580-02	62-8	66796-00	11-2	67212-00	44-3	67471-00	76-54
66580-02	63-9	66798-00	68-9	67214-00	44-4	67475-03	37-28
66580-02	62A-13	66802-11	34-13	67215-03	44-7	67487-04	63A-14
66597-00	4-26	66804-00	3340	67216-00	44-7	67490-02	37-2
66597-01	4-26	66805-00	3341	67218-00	44-8	67490-02	67-11
66598-00	4-27	66815-00	47-3	67218-02	44-8	67490-02	76-16
66598-01	4-27	66817-00	47-2	67221-00	44-9	67490-02	76-45
66599-00	4-29	66820-00	24-50	67223-00	44-2	67491-00	52-3
66599-01	4-29	66821-04	27-7	67224-03	44-25	67493-00	69-13
66609-00	7-24	66821-04	28-23	67225-00	44-36	67493-03	52-48
66614-00	48-71	66821-05	28-23	67228-09	37-3	67494-00	69-14
66618-02	20-19	66822-07	16-16	67229-06	37-6	67494-01	69-14
66620-00	3-16	66822-08	16-17	67232-12	33-5	67556-02	15-50
66621-00	3-14	66835-00	44-26	67232-13	33-5	67556-04	15-50
66623-00	3-12	66837-00	73-6	67232-15	33-5	67661-00	45-83
66623-01	3-12	66837-00	76-53	67232-21	33-5	67661-00	46-2
66632-00	59-8	66838-00	73-16	67232-22	33-5	67700-25	45-50
66641-00	13-34	66838-00	76-54	67232-25	33-5	67700-25	46-5
66654-00	13-26	66843-02	21-5	67232-40	33-5	67700-29	40-19
66661-00	53-5	66894-03	41-11	67232-47	33-5	67700-29	40A-19
66662-14	20-21	66913-03	13-10	67235-00	33-38	67700-36	45-43
66662-14	40-2	66914-02	13-11	67241-00	37-8	67700-56	45-49
66662-15	20-21	66918-16	37-1	67241-00	76-20	67700-56	46-6
66662-15	40A-2	66918-20	37-1	67258-00	8-13	67700-57	45-48
66710-16	3348	66964-00	18-2	67259-02	8-12	67700-57	46-7
66710-17	13-16	66964-02	18-3	67262-02	9-34	67700-58	30-4
66710-17	14-9	66965-00	7-24	67262-03	9-34	67700-65	39-19
66710-26	13-18	66968-00	9-15	67266-02	8-5	67700-66	39-20
66710-44	13-18	66968-01	9-15	67267-00	9-65	67700-67	39-21
66710-44	14-11	66969-02	9-15	67267-01	9-65	67700-69	39-23
66710-44	33-50	66969-03	9-15	67286-00	10-30	67700-70	39-24
66713-00	60-10	66970-03	60-20	67291-00	9-43	67700-71	39-25
66750-00	20-25	66970-03	7642	67291-01	9-43	67700-72	39-26
66751-00	67-15	66972-00	18-8	67325-00	33-9	67700-73	39-27
66751-00	7646	66975-03	16-1	67330-10	33-8	67700-74	39-28
66761-02	3-10	66975-03	18-1	67330-12	33-8	67700-80	39-29
66761-03	3-10	66975-04	16-1	67367-00	12-54	67700-87	40-30
66762-00	4-8	66975-04	18-1	67404-02	59-2	67700-88	40-30
66768-00	45-24	66980-00	44-33	67404-03	59-3	67700-88	40A-30
66768-00	45A-36	66980-00	54-3	67409-03	60-8	67700-125	67-20
66769-00	12-29	66980-00	54-29	67422-04	60-25	67700-126	67-21
68771-08	40A-39	66996-00	33-12	67422-12	60-27	67700-150	72-4
66773-00	44-15	66996-00	76-11	67422-13	60-29	67700-152	67-21
66774-00	44-17	67125-00	8-29	67422-14	60-28	67700-172	39-22
66787-00	33-57	67135-03	30-9	67431-00	37-26	67700-183	39-43
66787-00	76-14	67137-00	8-32	67431-00	37-28	67700-184	39-44
66789-00	40-39	67138-00	8-31	67431-04	37-27	67700-300	39-6
66789-00	40A-39	67139-00	8-35	67436-04	60-12	67700-301	39-51
66789-00	45A-29	67140-02	8-36	67436-05	60-11	67700-377	67-21
66789-00	54-41	67168-00	28-24	67437-00	60-17	67700-378	67-20
66789-00	59-5	67193-03	52-27	67462-06	37-62	67700-396	45A-26
66793-18	13-1	67193-04	52-27	67462-08	37A-10	67700-403	39-45

Reissued: September 15, 1994

**PIPER AIRCRAFT
PA-28-181
AIRPLANE PARTS CATALOG**

Part Number	Figure and Index No.	Part Number	Figure and Index No.	Part Number	Figure and Index No.	Part Number	Figure and Index No.
67705-00	54-21	68429-00	17-6	69325-122	59-60	69669-175	66-2
67723-00	2-21	68429-01	17-6	69403-03	33-24	69669-175	76-44
67723-01	2-21	68430-00	17-7	69486-00	28-25	69669-200	33B-2
67769-00	42-15	68430-01	17-7	69509-00	69-21	69669-200	33B-10
67785-17	33-1	68431-00	17-8	69509-00	75-48	69669-204	56A-39
67786-00	33-2	68431-01	17-8	69518-06	37-48	69669-204	57A-10b
67786-00	76-10	68467-00	30-3	69544-00	37-15	69669-205	63A-9
67958-03	35-26a	68472-00	50-18	69544-00	76-27	69669-205	76-43
67958-03	35-37a	68488-02	50-5	69624-02	16-19	69669-206	76-37
67958-03	36-50	68491-00	50-43	69669-15	70-12	69670-04	64-1
67958-05	35-26a	68499-04	33-33	69669-15	76-49	69736-02	2-18
67958-05	35-37a	68499-05	33-33	69669-16	60-4	69738-00	9-21
67958-05	36-50	68539-00	7-28	69669-16	76-39	69739-00	9-23
67968-12	33A-1	68540-00	7-29	69669-17	60-19	69740-02	9-22
67968-13	33A-1	68540-01	7-29	69669-17	7641	69785-01	47-10
67968-14	33A-2	68555-05	13-66	69669-20	59-18	69791-00	43-13
67968-15	33A-2	68555-05	14-7	69669-20	76-37	69885-00	55-41
67968-16	33A-3	68555-05	76-2	69669-25	37-9	69885-02	55-42
67968-17	33A-3	68557-00	52-26	69669-25	76-21	69885-02	55-52
67968-18	33A-4	68584-00	33-35	69669-32	33-36	69885-03	55-43
67968-19	33A-4	68671-00	33-32	69669-32	76-12	69885-03	55-53
67969-02	33A-6	68674-00	67-33	69669-39	37-14	69885-12	55-51
67969-03	33A-8	68676-00	67-34	69669-39	76-25	69891-02	9-24
67969-04	33A-7	68699-11	44-10	69669-63	47-18	69891-03	9-24
67969-15	33A-5	68770-43	59-51	69669-63	76-31	69891-04	9-24
67969-15	33A-6	68770-14	54-43	69669-66	70-12	69891-05	9-24
67984-02	52-37	68770-18	40-40	69669-66	71-8	69891-10	9-24
68022-14	35-40	68770-18	44-35	69669-66	7649	69891-11	9-24
68094-03	34-3	68770-18	45A-34	69669-66	76-50	69891-12	9-24
68101-02	47-19	68771-03	59-43	69669-76	33-36	69891-13	9-24
68111-00	3-7	68771-06	44-35	69669-76	76-12	69891-14	9-24
68113-200	3-6	68771-06	45A-33	69669-90	60-5	69891-15	9-24
68113-201	3-6	68771-08	40-39	69669-90	7640	69891-17	9-24a
68119-00	3-13	68778-00	40-44	69669-107	70-15	69891-18	9-24a
68169-00	37-30	68778-00	40A-44	69669-107	76-50	69992-02	55-50
68179-00	13-41	68804-03	59-41	69669-110	35-58	69997-06	60-6
68179-00	14-53	68804-04	59-41	69669-110	76-15	69997-07	60-6
68179-02	13-42	68804-05	59-41	69669-115	39-42	70371-02	44-28
68179-02	14-54	68817-50	7-17	69669-115	76-30	70371-02	54-40
68179-07	14-53	69015-04	45A-18	69669-117	14-61	70371-02	55-45
68179-08	14-54	69041-07	39-1	69669-117	76-4	70371-03	44-29
68180-00	13-39	69042-00	39-15	69669-118	14-62	70371-03	54-36
68188-00	13-21	69042-02	39-15	69669-118	76-5	70371-03	55-45
68198-00	63-4	69077-00	52-16	69669-127	37-4	72091-00	47-7
68272-02	8-24	69224-00	13-23	69669-127	76-17	73290-02	63A-6
68272-03	8-25	69229-00	54-17	69669-139	37-11	73508-02	63A-5
68272-04	8-26	68273-00	54-23	69669-139	76-22	74075-02	63A-7
68273-02	8-27	69274-00	54-22	69669-144	33-36	74075-03	63A-7
68414-03	50-2	69275-00	54-32	69669-144	76-12	76114-00	10-3
68416-02	33-31	69278-00	54-16	69669-151	33-12	76115-00	10-8
68416-03	33-31	69279-00	54-20	69669-151	76-11	76115-01	10-8
68426-Q0	16-3	69301-00	40-46	69669-171	14-65	76119-00	10-39
68426-00	17-1	69317-00	40-29	69669-171	76-66	76119-01	10-39
68427-00	17-10	69317-00	40A-29	69669-173	63-5	76120-00	10-52
68428-00	17-11	69318-00	51-12	69669-173	76-43	76120-01	10-52

Reissued: September 15, 1994

**PIPER AIRCRAFT
PA-28-181
AIRPLANE PARTS CATALOG**

Part Number	Figure and Index No.	Part Number	Figure and Index No.	Part Number	Figure and Index No.	Part Number	Figure and Index No.
76121-00	10-56	76218-01	10-38	76309-00	55-6	76489-02	8-16
76123-04	10-58	76219-00	54-1	76309-00	55-58	76490-02	10-15
76123-05	10-58	76219-01	54-1	76309-00	57-27	76490-03	10-15
76126-00	10-13	76221-00	33-53	76309-02	55-58	76496-12	55-1
76129-01	54-4	76221-00	33B-5	76311-00	37-6	76496-12	57-17
76129-02	54-4	76222-00	37-12	76311-03	37-6	76496-13	55-1
76129-06	54-4	76222-00	76-23	76342-00	36-22	76496-13	57-17
76129-07	54-4	76239-00	9-19	76342-00	36A-11	76497-02	12-26
76130-12	9-2	76255-00	7-11	76343-00	36-23	76497-06	12-26
76130-13	9-4	76255-03	7-1a	76343-00	36A-12	78033-00	24-23
76130-14	9-3	76255-04	7-1a	76345-00	36-26	78041-00	35-2
76131-00	9-14	76256-00	7-22	76347-00	36-20	78041-00	36-42
76131-02	9-14	76257-00	7-22	76347-00	36A-9	78041-09	35-2
76132-03	9-5	76261-00	9-66	76349-00	36-21	78041-09	36-42
76136-00	8-19	76261-01	9-66	76349-00	36A-10	78044-00	35-39
76137-02	8-14	76262-00	9-67	76351-02	36-24	78054-02	33-6
76138-00	9-54	76264-00	15-23	76351-02	36A-13	78057-00	1540
76139-00	9-47	76264-00	15-24	76351-03	36-25	78086-00	15-51
76139-02	9-50	76265-00	15-27	76351-03	36A-14	78112-05	7-18a
76139-03	9-51	76266-00	15-27	76365-00	9-20	78113-00	39-16
76140-03	9-14	76267-00	15-25	76435-00	13-15	78140-33	62-2
76140-04	9-14	76267-01	15-25	76435-02	13-15	78140-39	62-13
76143-00	15-21	76268-00	15-26	76445-00	36-44	78140-39	62A-2
76145-00	13-9	76269-00	15-26	76462-00	33-27	78483-00	64-35
76150-02	13-15	76270-00	15-28	76467-00	9-47	78735-02	33-59
76150-04	13-15	76270-01	15-28	76467-02	7-13	78738-02	24-35
76158-00	13-55	76271-00	15-31	76467-02	9-49	78738-03	24-35
76158-02	13-55	76272-00	15-29	76467-03	9-48	78744-02	76-56
76158-03	13-55	76272-01	15-29	76467-04	9-53	79033-00	70-11
76159-30	13-55	76272-02	15-29	76468-00	9-17	79035-00	55-23
76160-07	34-10	76272-03	15-29	76468-02	9-18	79038-00	40-41
76161-14	34-16	76273-00	15-30	76468-03	9-18	79044-06	37-10
76161-18	34-1	76274-00	15-30	76469-946	10-2	79071-00	21-23
76161-19	34-1	76275-00	15-18	76469-947	10-6	79072-00	21-22
76172-00	35-24	76275-02	15-18	76469-948	10-6	79110-03	21-24
76172-03	36-19	76275-03	15-18	76470-00	7-1	79110-05	20-26
76172-03	36A-8	76275-04	15-18	76470-903	7-5	79110-05	21-1
76175-00	36-18	76276-00	15-18	76470-904	7-2	79112-00	37-7
76175-00	36A-7	76276-02	15-18	76470-904	12-1	79112-00	76-19
76175-03	35-8	76276-03	15-18	76470-905	7-23	79112-02	37-7
76176-00	36-30	76276-04	15-18	76470-905	10-1	79112-02	76-19
76176-00	36A-19	76277-00	15-19	76470-907	7-33	79125-00	37-68
76178-00	36-14	76277-02	15-19	76470-907	10-51	79125-01	37-68
76178-00	36A-39	76277-03	15-19	76470-907	11-1	79151-00	60A-33
76187-00	35-25	76277-04	15-19	76470-908	7-9	79152-00	73-28
76187-00	36-13	76278-00	15-19	76470-909	7-14	79152-02	73-28
76187-00	36A-38	76278-02	15-19	76470-909	8-1	79154-00	15-6
76191-00	33-21	76278-03	15-19	76470-910	7-19	79155-00	15-6
76191-02	33-21	76278-04	15-19	76470-910	9-1	79160-00	73-29
76197-00	15-20	76279-00	9-61	76470-963	7-35	79161-00	9-16
76199-12	34-5	76297-00	7-12	76474-900	7-7	79171-02	15-38
76199-13	34-5	76297-01	7-12	76475-900	7-36	79171-08	15-36
76205-00	37-57	76307-04	55-2	76476-900	7-6	79171-09	15-37
76205-05	37-57	76307-07	55-2	76476-901	7-8	79171-10	15-35
76218-00	10-38	76308-00	55-7	76485-00	76-55	79171-11	15-34

Reissued: September 15, 1994

**PIPER AIRCRAFT
PA-28-181
AIRPLANE PARTS CATALOG**

Part Number	Figure and Index No.	Part Number	Figure and Index No.	Part Number	Figure and Index No.	Part Number	Figure and Index No.
79171-12	15-33	79290-00	55-56	79337-74	36-2	79530-02	14-34
79171-13	15-38	79292-00	55-39	79337-75	35-6	79532-02	14-37
79171-14	15-33	79293-04	55-60	79363-00	37-40	79535-00	35-7
79174-00	2-16	79293-05	55-60	79364-00	37-39	79535-01	35-7
79174-04	2-17	79296-16	15-1	79367-00	37-34	79539-00	36-6
79177-00	35-3a	79296-17	15-2	79370-00	3741	79539-01	36-6
79177-00	36-2a	79296-18	15-1	79376-00	37-36	79539-02	36-6
79187-00	55-1	79296-19	15-2	79376-00	37-42	79539-02	36A-3
79192-00	55-8	79303-00	55-34	79377-16	35-3	79539-03	36A-3
79205-00	60-7	79314-00	37-53	79377-17	35-3	79539-03	36-6
79207-00	35-15	79314-02	37-53	79381-00	37-37	79542-04	14-12
79207-00	36-12	79315-00	76-59	79381-00	37-43	79542-06	14-59
79207-00	36A-37	79319-00	10-23	79399-00	38A-2	79543-02	24-26
79209-02	13-8	79322-03	35-16	79404-00	33-56	79545-02	14-8
79209-10	13-19	79322-06	35-16	79405-00	75-1	79545-15	14-8
79229-00	36-27	79329-02	8-23	79412-11	59-33	79553-00	8-7
79229-00	36A-16	79329-07	8-23	79414-00	59-37	79553-01	8-7
79230-00	35-20	79333-00	60-26	79427-02	7-38	79554-02	35-5
79230-00	36-28	79337-02	35-1	79430-00	31-11	79554-02	36-5
79230-00	36A-17	79337-03	35-1	79434-00	13-25	79554-02	36A-44
79234-00	9-39	79337-08	35-6	79436-00	35-37	79555-00	35-4
79235-00	36-29	79337-09	35-6	79442-00	35-22	79555-00	35-29
79235-00	36A-18	79337-16	35-28	79442-00	36-31	79555-00	36-3
79236-05	34-4	79337-16	36-2	79442-00	36A-25	79555-00	36A-45
79236-10	34-1	79337-17	36-2	79445-00	33-13	79555-01	35-4
79236-11	34-1	79337-18	35-38	79452-00	13-4	79555-01	36-3
79236-16	34-2	79337-21	35-1	79452-00	14-4	79555-01	36A-45
79245-00	27-2	79337-22	35-1	79453-00	12-55	79557-00	15-5
79251-00	35-13	79337-23	35-6	79455-00	33-23	79557-02	15-5
79251-00	36-32	79337-24	35-6	79456-00	33-55	79558-02	56-10
79252-00	35-11	79337-27	35-3	79463-00	70-16	79558-02	56A-10
79252-00	36-33	79337-27	35-28	79463-00	71A-8	79560-0	69-18
79258-00	10-59	79337-27	36-2	79463-02	71-7	79561-03	7-21
79258-01	10-59	79337-28	35-3	79468-00	8-8	79561-04	9-12
79264-00	55-18	79337-28	36-2	79475-07	14-19	79561-07	9-11
79267-00	12-34	79337-32	35-6	79475-08	14-20	79561-08	9-10
79268-00	18-15	79337-33	35-6	79475-16	14-18	79561-09	9-3
79270-00	55-35	79337-41	35-38	79475-20	14-16	79561-10	9-4
79271-00	55-36	79337-43	35-1	79475-22	14-22	79561-900	9-2
79272-00	12-16	79337-58	35-1	79475-34	14-46	79561-903	9-9
79275-00	52-2	79337-59	35-3	79475-58	14-16	79562-00	15-22
79275-00	76-61	79337-59	35-28	79475-59	14-16	79562-03	15-22
79276-00	52-1	79337-59	36-2	79475-60	14-16	79563-901	7-18
79276-872	52-1	79337-60	35-6	79475-95	14-18	79563-905	7-18
79277-00	16-44	79337-61	35-1	79475-103	14-22	79567-03	8-31
79277-01	16-44	79337-62	35-3	79487-00	75-4	79569-901	7-15
79280-00	55-28	79337-62	36-2	79515-04	14-26	79572-00	15-17
79281-00	55-25	79337-63	35-6	79515-06	14-28	79573-901	7-10
79282-00	55-26	79337-70	35-1	79515-07	14-31	79576-901	7-20
79284-00	55-30	79337-71	35-3	79515-08	14-32	79577-900	7-3
79285-00	55-31	79337-71	35-28	79515-13	14-24	79578-901	7-27
79286-00	55-24	79337-71	36-2	79515-15	14-33	79580-900	7-34
79287-00	55-29	79337-72	35-6	79515-35	14-23	79580-901	7-34
79290-00	12-61	79337-73	35-1	79521-00	9-40	79581-900	7-35a
79290-00	55-27	79337-74	35-3	79527-02	37-61	79582-902	7-25

Reissued: September 15, 1994

2G18

Island Enterprises

**PIPER AIRCRAFT
PA-28-181
AIRPLANE PARTS CATALOG**

Part Number	Figure and Index No.	Part Number	Figure and Index No.	Part Number	Figure and Index No.	Part Number	Figure and Index No.
79584-08	56-8	79886-07	56A-16	84277-11	33B-9	84967-175	33-37
79584-09	56A-8	79886-11	56-13	84277-13	14-73	84967-175	76-13
79585-902	7-26	79886-11	56A-13	84277-14	14-74	85012-14	37-51
79591-02	36-1	79890-43	28-12	84277-15	33B-4	85012-72	20-41
79591-03	36-1	79890-44	28-12	84277-16	33B-3	85012-101	40-49
79591-04	36-1	79890-45	28-13	84277-19	33B-7	85012-101	40A-49
79591-05	36-1	79890-46	28-13	84277-20	33B-6	85061-02	20-6
79591-08	36-1	79890-900	28-11	84277-21	33B-14	85189-02	52-50
79591-09	36-1	79890-901	28-11	84277-22	33B-13	85192-02	15-18
79591-10	36-1	79892-02	28-18	84277-23	55-1	85192-03	15-18
79591-11	36-1	79892-03	28-18	84277-24	33B-9	85192-04	15-19
79594-00	13-27	79892-04	28-19	84277-25	14-75	85192-05	15-19
79595-19	62-14	79892-05	28-19	84277-26	55-2	85210-06	33B-2
79595-20	62-16	79892-09	28-20	84277-26	57A-21	85210-06	33B-10
79595-20	62A-18	79892-10	28-20	84277-26	33B-16	85210-70	33B-2
79595-25	62A-16	80032-69	45-61	84277-62	33-9	85210-70	33B-10
79599-00	71A-9	80032-69	45A-57	84277-73	33B-17	85238-15	43A-3
79600-00	37-64	81262-68	13-28	84290-06	15-4	85238-17	43A-3
79615-02	54-46	82695-24	38B-2	84290-07	15-4	85292-07	52-49
79615-03	54-46	82732-76	49-49	84290-12	15-1	85292-09	52-49
79636-04	67-27	82732-76	52-34	84290-13	15-2	85299-05	59-75
79636-10	67-23	82732-102	41A-15	84316-02	62A-8	85311-04	59-74
79639-02	9-55	82732-103	41A-13	84431-03	62A-5	85326-07	43A-4
79647-02	14-25	83302-43	13-29	84622-08	60B-7	85328-03	60A-35
79650-02	37-63	83349-03	40A-3	84622-09	60B-8	85342-02	40A-33
79650-800	37A-10	83349-04	40A-4	84622-10	60B-9	85358-05	59-78
79655-02	8-8	83350-03	43A-16	84622-12	60B-11	85359-02	59-78
79657-02	67-16	83350-04	43A-1	84622-13	60B-10	85365-09	33B-20
79688-00	76-60	83350-12	43A-17	84622-17	60A-28	85365-10	33B-18
79739-02	8-15	83396-02	33B-15	84622-25	39-7	85365-11	33B-19
79739-03	8-15	83396-03	33B-15	84622-25	60A-29	85372-03	60A-9
79762-02	71-5	83932-07	37A-27	84622-34	60B-2	85374-02	60A-2
79781-02	34-8	84013-26	38A-19	84622-35	60B-3	85375-03	60A-1
79785-02	33-43	84013-28	38A-20	84622-68	60B-6	85377-02	39-53
79795-02	8-11	84013-82	38B-13	84622-84	60B-4	85378-02	39-52
79795-03	8-10	84013-84	38B-4	84622-85	60B-5	85378-02	59-76
79795-04	8-9	84013-87	38B-6	84622-90	60A-27	85402-02	2-12
79819-02	35-7	84265-02	60B-15	84622-90	61-20	85402-03	2-12
79819-03	35-7	84266-02	56A-22	84622-93	55-32	85402-11	59-62
79828-03	34-20	84266-03	56A-19	84622-93	60A-26	85402-17	59-62
79836-02	33-10	84266-04	56A-24	84622-93	61-19	85412-02	62A-7
79836-04	33-10	84266-05	56A-21	84967-101	76-98	85416-02	12-55
79839-03	57-25	84277-02	55-1	84967-130	76-90	85417-02	12-54
79839-03	57A-22	84277-02	57A-17	84967-131	76-99	85418-03	62A-6
79840-04	57-26	84277-03	55-2	84967-132	76-100	85418-04	62A-3
79840-04	57A-23	84277-03	57A-17	84967-133	76-91	85419-03	63A-10
79855-02	55-2	84277-03	57A-21	84967-138	76-93	85419-04	63A-11
79855-02	57-17	84277-03	33B-16	84967-139	76-94	85419-05	63A-12
79863-03	8-30	84277-04	33B-5	84967-145	76-92	85429-02	60B-1
79884-03	33-14a	84277-05	33B-2	84967-168	76-97	85436-02	15-26
79886-03	56-14	84277-06	33B-12	84967-171	76-96	85436-04	15-20
79886-03	56A-14	84277-07	33B-10	84967-172	76-95	85436-05	15-30
79886-04	56-15	84277-08	33B-11	84967-179	76-101	85436-07	15-31
79886-04	56A-15	84277-09	33B-8	84967-169	76-88	85436-08	15-30
79886-07	56-16	84277-10	33B-1	84967-174	33-5a	85438-02	76-55

Reissued: September 15, 1994

**PIPER AIRCRAFT
PA-28-181
AIRPLANE PARTS CATALOG**

Part Number	Figure and Index No.	Part Number	Figure and Index No.	Part Number	Figure and Index No.	Part Number	Figure and Index No.
85470-02	42A-10	86685-02	59-46	87499-03	59-9a	95061-151	56A-11
85470-03	42A-10	86700-36	64-32	87548-02	Misc.	95061-161	35-11
85472-08	40A-9	86700-48	20-44	87702-07	37A-27	95061-161	36-33
85474-02	40A-40	86711-06	12-59	87742-02	59-61	95061-161	36A-20
85475-02	43A-5	86875-04	45A-64	87769-02	38B-7	95061-180	35-45a
85475-03	43A-9	87241-06	47-10	87777-02	37B-19	95061-186	35-45a
85475-11	43A-10	87329-07	14-60	87777-08	38B-15	95094-00	3-23
85475-12	43A-6	87329-08	13-6	89023-10	35-60	95153-101	39-30
85475-13	43A-12	87329-08	14-6	89023-10	36A-43	95153-158	39-30
85475-14	43A-8	87332-02	35-10	89023-11	36A-43	95228-00	59-23
85475-15	43A-7	87332-02	36-10	89023-13	36A-43	95228-03	59-69
85475-16	43A-11	87332-02	36A-34	89023-13	36A-48	95241-11	37-32
85475-21	43A-10	87334-02	14-69	89026-02	36A-1	95241-14	37-38
85475-22	43A-6	87334-02	76-74	89026-03	36A-1	95261-00	60-45
85475-23	43A-12	87340-02	43-21	89026-06	36A-2	95479-00	43A-22
85475-24	43A-8	87340-02	76-75	89026-07	36A-2	95636-00	4-30
85475-25	43A-7	87341-02	1645	89027-02	35-60	95636-01	4-30
85475-26	43A-11	87341-02	76-70	89027-03	35-60	95639-02	3-2
85477-02	41A-5	87341-03	76-71	89027-04	35-60	95639-03	3-2
85477-05	41A-6	87341-04	2-50	89027-05	35-60	96143-00	39-13
85477-09	41A-7	87341-04	76-72	89028-02	35-38	96143-11	39-13
85479-02	40A-14	87341-05	14-68	89028-02	35-60	96268-00	69B-9
85481-02	43A-19	87341-05	76-73	89046-08	36A-42a	96352-03	2-32
85481-03	43A-20	87368-02	37-36	89097-02	63-13	96352-03	2-33
85481-08	43A-20	87368-02	37-42	89097-03	63-14	96352-03	2-35
85481-09	43A-19	87369-05	69A-3	89258-08	59-63	96392-05	39-1
85481-10	43A-15	87369-05	76-77	89276-11	60A-4	96392-10	39-1
85481-11	43A-13	87369-27	37-79	89276-12	60A-7	96564-00	16-13
85485-02	42A-9	87369-27	76-67	89276-13	60A-6	96602-00	66-2
85485-03	42A-3	87369-38	37-2	89276-14	60A-8	96602-00	76-44
85485-04	42A-8	87369-38	67-9	89276-15	60A-5	96684-00	10-57
85485-05	42A-4	87369-38	76-16	89305-23	37A-26	96806-17	35-38
85486-02	42A-2	87369-39	37-85	89452-04	60A-10	96806-26	35-38
85486-03	42A-1	87369-39	67-10	89452-18	60A-11	96827-11	35-27
85487-02	42A-6	87369-39	76-45	89452-21	60A-15	96827-12	35-27
85487-03	42A-5	87369-40	69B-8	89452-25	60A-15a	96827-17	35-30
85488-02	43A-21	87369-40	76-86	89452-25	61-18	96827-18	35-30
85488-03	43A-21	87369-53	60-52	89452-26	60A-16	96827-22	35-27
85490-02	40A-16	87369-53	76-84	89452-32	60A-13	96827-23	35-27
85491-02	38B-7	87369-60	38B-19	89452-33	60A-14	96827-26	35-30
85492-02	37A-23	87373-06	59-59	89452-34	60A-11a	96827-27	35-30
85492-03	37A-24	87379-03	37-16	89452-35	60A-12	96827-29	35-27
85492-08	37A-23	87379-06	37-16	89548-14	14-76	96827-30	35-27
85492-09	37A-24	87382-02	37-33	89567-02	33B-5	96827-31	35-30
85532-02	40A-31	87389-02	37-40	89567-02	33B-12	96827-32	35-30
85532-03	56A-9	87390-02	37-39	89803-05	62A-12	96827-35	35-27
86062-56	20-20	87391-02	37-41	89803-06	62A-11	96827-36	35-30
86062-94	40A-9a	87392-02	42-12	89908-03	59-73	96827-37	35-27
86414-13	60-45	87451-03	37-86	90797-02	45-58	96827-38	35-30
86517-02	4-43	87451-04	37A-25	95061-91	35-56	96827-41	35-27
86552-07	37-32	87451-05	37A-25	95061-106	35-9	96827-42	35-30
86552-09	37-38	87466-02	37A-25	95061-106	36-41	96827-43	35-27
86652-05	75-14	87468-02	20-36	95061-106	36A-21	96827-44	35-30
86652-08	75-16	87477-02	45-14	95061-121	44-32	96863-00	13-13
86684-02	40A-34	87477-02	45A-4	95061-151	56-11	96864-00	13-70

Reissued: September 15, 1994

2G20

Island Enterprises

**PIPER AIRCRAFT
PA-28-181
AIRPLANE PARTS CATALOG**

Part Number	Figure and Index No.	Part Number	Figure and Index No.	Part Number	Figure and Index No.	Part Number	Figure and Index No.
96868-00	13-51	99184-05	33-64	99487-01	12-23	99640-00	57-1
96869-00	13-50	99184-05	76-79	99488-00	12-24	99640-03	57-2
96872-00	13-12	99184-07	33-65	99495-00	58-5	99640-08	57A-1
96887-00	10-22	99184-07	76-80	99495-00	58A-5	99640-09	57A-2
96887-02	10-22	99184-08	33-66	99496-00	12-46	99641-00	55-15
96890-00	10-21	99184-08	76-81	99507-00	57-25	99641-00	57-6
96890-01	10-21	99198-00	59-19	99513-03	37-6	99641-00	57A-6
96908-00	35-43	99209-00	68-3	99513-05	37-6	99642-03	55-12
96908-00	35-44	99214-00	37-67	99539-00	57-28	99642-03	57-3
96919-00	13-37	99222-02	59-14	99539-00	57A-24	99642-04	55-12
96926-00	2-25	99222-09	59-14	99541-02	57-22	99642-04	57A-3
96926-00	2-41	99222-10	59-14	99545-00	12-33	99644-00	57-30
96927-00	2-42	99222-12	59-14	99549-07	12-3	99644-00	57A-26
98044-70	45-84	99222-13	59-14	99549-08	12-3	99646-02	57-9
98044-70	46-8	99240-00	34-17	99549-10	12-6	99648-00	57-12
98044-71	4541	99242-13	35-54	99550-02	57-29	99650-00	57-13
98044-71	46-9	99252-10	34-18	99550-02	57A-25	99650-00	57A-13
98044-72	45-51	99263-00	58-3	99552-00	12-39	99661-00	57-15
98044-72	46-10	99263-00	58A-3	99552-02	12-39	99661-00	57A-15
99002-06	37-22	99271-00	58-8	99555-00	12-22	99680-08	73-20
99010-02	37-20	99271-00	58A-8	99557-00	58-19	99690-00	9-70
99026-00	Misc.	99272-00	12-40	99557-04	58A-19	99690-01	9-70
99031-00	66-16	99273-00	12-44	99558-00	12-30	99691-00	9-73
99045-00	10-29	99275-02	58-4	99559-00	12-4	99691-01	9-73
99059-06	37-45	99275-02	58-9	99559-01	12-4	99692-00	9-71
99060-06	37-44	99275-02	58A-4	99561-00	12-47	99692-01	9-71
99061-06	37-46	99275-02	58A-9	99561-00	58-22	99693-00	9-74
99061-06	37-48	99275-04	58-25	99561-00	58A-22	99699-00	11-17
99062-06	37-47	99275-04	58A-25	99568-00	41-9	99701-00	11-12
99064-06	37-48	99278-03	12-45	99568-04	41A-8	99717-00	61-6
99066-00	37-48	99280-00	12-25	99569-00	58-24	99718-05	36A-47
99072-00	56-9	99280-01	12-25	99569-03	58A-24	99718-06	36-4
99077-00	35-31	99289-00	40-32	99572-00	58-23	99719-28	36-47
99077-01	35-31	99311-00	45-65	99572-04	58-23	99735-02	37-11
99077-16	35-31	99311-05	45-65	99572-06	58A-23	99735-02	76-22
99077-17	35-31	99344-00	74-7	99573-00	42-5	99741-00	9-72
99080-00	56-32	99361-00	35-39	99577-00	42-2	99741-01	9-72
99080-00	56A-32	99377-02	60-13	99578-00	424	99745-00	59-16
99094-02	43-8	99377-03	60-15	99580-00	56-31	99754-02	45-80
99094-04	43A-14	99377-04	39-7	99592-04	56-22	99754-02	46-3
99096-00	43-3	99377-05	60-16	99592-05	56-19	99763-00	56-7
99096-02	43A-15	99377-06	60-14	99609-00	12-10	99771-00	42-3
99116-08	34-20	99377-66	60-51	99610-00	73-12	99783-00	13-59
99121-00	59-12	99387-00	58-1	99610-02	73-13	99801-02	33-6
99121-00	76-36	99387-05	58A-1	99615-00	12-49	99803-03	16-18
99123-00	10-28	99470-00	12-3	99615-01	12-49	99805-03	12-42
99127-04	10-24	99470-01	12-3	99619-02	16-14	99813-02	12-42
99129-03	10-27	99470-800	12-3	99621-00	16-15	99818-00	33-42
99130-02	59-47	99471-02	12-5	99630-00	56A-7	99841-04	73-3
99140-00	34-7	99471-03	12-5	99631-00	12-50	99853-00	58-15
99141-03	34-6	99478-00	37-24	99633-00	55-17	99853-00	58A-15
99143-00	34-9	99479-02	37-81	99633-00	57-8	99854-00	58-11
99181-03	33-52	99480-00	37-49	99633-00	57A-8	99854-02	58A-11
99184-02	33-63	99480-03	37A-1	99634-00	57-26	99856-00	50-55
99184-02	76-78	99487-00	12-23	99635-09	33-51	99862-00	61-3

Reissued: September 15, 1994

**PIPER AIRCRAFT
PA-28-181
AIRPLANE PARTS CATALOG**

Part Number	Figure and Index No.	Part Number	Figure and Index No.	Part Number	Figure and Index No.	Part Number	Figure and Index No.
99867-00	58-17	400 002	36-37	400 449	28-34	401 269	35-47
99867-05	58A-17	400 002	36A-24	400 450	16-24	401 269	35-59
99868-00	16-5	400 002	63-11	400 450	50-23	401 269	50-31
99885-00	37-4	400 003	16-25	400 455	28-34	401 269	52-23
99885-00	76-17	400 003	16-33	400 456	53-17	401 269	58-31
99885-02	37-4	400 003	17-25	400 457	48-50	401 269	58A-31
99885-02	76-17	400 003	24-16	400 460	41A-15	401 270	2-28
99886-02	37-5	400 003	27-8	400 464	40A-9a	401 270	48-64
99886-02	76-18	400 003	27-9	400 496	62A-8	401 273	21-33
99887-02	70-8	400 004	17-26	400 616	56-30	401 273	58-7
99887-04	71-9	400 004	28-28	400 616	56A-30	401 274	49-19
99887-06	71A-7	400 004	35-49	400 652	49-36	401 279	50-26
99887-07	71B-3	400 004	49-42	400 653	49-37	401 289	48-50
99888-00	70-9	400 008	48-45	400 653	49-38	401 310	27-3
99888-00	71-10	400 009	56-17	400 653	52-35	401 310	52-32
99889-00	70-10	400 009	56A-17	400 665	14-38	401 311	24-15
99889-00	71-11	400 012	49-4	400 672	51-7	401 311	28-32
99920-02	33-7	400 055	44-38	400 672	53-16	401 312	28-33
99920-02	35-51	400 056	16-23	400 673	49-44	401 318	36-38
99920-03	33-7	400 056	44-32	400 674	44-21	401 318	36-38a
99920-03	35-51	400 056	44-38	400 674	48-53	401 318	36A-23
99921-00	37-56	400 056	52-36	400 678	48-60	401 318	36A-32
99921-00	76-26	400 058	20-43	400 680	49-48	401 318	49-52
99921-00	76-58	400 059	41A-13	400 686	30-16	401 330	21-35
99943-00	13-62	400 060	41A-10	400 728	63-12	401 333	52-22
99943-00	14-14	400 103	41A-12	400 749	44-6	401 334	58-29
99943-00	15-32	400 113	14-30	400 861	58-30	401 334	58A-29
99944-02	40-25	400 113	30-15	400 861	58-33	401 353	48-36
99950-00	37-57	400 165	24-37	400 861	58-34	401 354	48-56
99952-00	37-58	400 166	24-47	400 861	58-35	401 355	35-50
99959-04	37-10a	400 171	44-6	400 861	58A-30	401 359	21-32
99959-05	37-10a	400 224	58-21	400 861	58A-33	401 361	21-26
99967-00	33-54	400 302	24-26	400 861	58A-34	401 370	21-31
99968-00	33-54	400 437	50-24	400 861	58A-35	401 378	48-49
99997-00	13-61	400 437	50-28	400 862	13-84	401 385	48-34
99997-00	14-41	400 438	12-52	400 862	14-63	401 394	56-12
99997-00	15-41	400 438	21-34	400 863	35-59	401 394	56A-12
99999-00	61-11	400 438	49-41	400 883	9-27	401 405	20-27
		400 438	50-30	400 907	28-32	401 406	20-27
		400 438	53-15	400 907	28-33	401 415	20-28
		400 438	63A-15	400 916	35-26	401 416	20-28
		400 438	69A-6	401 186	2-31	401 424	64-31
		400 440	20-18	401 187	35-48	401 429	63A-8
		400 440	49-39	401 188	48-40	401 456	20-32
		400 440	58-32	401 188	48-54	401 461	56-35
		400 440	58A-32	401 195	21-25	401 461	56A-35
151 300	40A-5	400 441	58-28	401 266	10-48	401 543	40-50
179 872	2-19	400 441	58A-28	401 266	13-79	401 543	40A-50
179 876	Misc.	400 441	63A-16	401 266	18-17	401 544	40-50
187 625	21-20	400 443	49-35	401 266	48-43	401 544	40A-50
189 139	13-2	400 443	67-30	401 266	49-54	401 918	20-13
189 139	13-60	400 444	2-29	401 266	50-29	401 918	24-40
189 139	14-2	400 444	8-40	401 266	67-12	401 919	40-38
189 139	14-15	400 444	67-31	401 269	10-48	401 919	40A-38
189 625	56A-28	400 446	50-57	401 269	16-43	401 970	56-37
400 002	35-18						

Reissued: September 15, 1994

2G22

Island Enterprises

**PIPER AIRCRAFT
PA-28-181
AIRPLANE PARTS CATALOG**

Part Number	Figure and Index No.	Part Number	Figure and Index No.	Part Number	Figure and Index No.	Part Number	Figure and Index No.
401 970	56A-37	404 224	13-52	404 838	64-31	404 888	17-26
401 970	64-28	404 224	16-28	404 887	2-27	404 888	21-35
401 970	64-29	404 224	40A-12	404 887	2-28	404 888	24-18
401 970	64-33	404 224	44-31	404 887	2-29	404 888	28-30
401 971	56-33	404 224	48-71	404 887	5-14	404 888	28-31
401 971	56A-33	404 224	49-40	404 887	8-40	404 888	35-49
401 971	64-27	404 224	58A-21	404 887	9-27	404 888	36-37
401 971	64-33	404 225	20-24	404 887	10-48	404 888	36-38
401 971	64-37	404 320	49-23	404 887	10-49	404 888	36A-23
401 971	64-41	404 322	48-69	404 887	10-50	404 888	36A-24
401 974	64-28	404 322	49-23	404 887	13-79	404 888	48-45
401 986	56-36	404 323	63-12	404 887	16-36	404 888	49-42
401 986	56A-31	404 325	50-32	404 887	20-18	404 888	49-52
401 986	56A-36	404 391	14-38	404 887	21-33	404 888	52-22
401 987	56-34	404 391	49-36	404 887	21-34	404 888	52-32
401 987	56A-34	404 391	49-37	404 887	28-34	404 888	56-17
401 988	56-29	404 391	49-38	404 887	30-34	404 888	56A-17
401 988	56A-29	404 391	52-35	404 887	38A-28	404 888	58-29
402 057	9-25	404 392	44-37	404 887	40A-9a	404 888	58A-29
402 057	9-26	404 392	48-53	404 887	40A-12	404 888	63-11
402 314	53-6	404 392	48-60	404 887	45A-67	404 889	2-31
402 324	20-14	404 392	49-44	404 887	48-43	404 889	21-25
402 349	2-36	404 392	51-7	404 887	48-50	404 889	21-26
402 351	2-32	404 392	53-16	404 887	48-64	404 889	21-31
402 352	2-33	404 392	55-45	404 887	49-19	404 889	21-32
402 352	2-34	404 394	44-16	404 887	49-39	404 889	22-11
402 352	2-35	404 530	2-30	404 887	49-41	404 889	25-13
402 669	48-63	404 532	2-31	404 887	49-54	404 889	48-34
402 680	2-30	404 532	2-32	404 887	50-23	404 889	48-36
402 680	16-26	404 532	2-33	404 887	50-26	404 889	48-40
402 777	35-3a	404 532	2-34	404 887	50-30	404 889	48-49
402 777	36-2a	404 532	2-35	404 887	50-31	404 889	48-54
402 890	12-32	404 532	2-36	404 887	50-57	404 889	48-56
402 897	12-31	404 556	12-31	404 887	52-23	404 890	56-12
402 915	2-31	404 556	12-32	404 887	53-17	404 890	56A-12
403 401	58A-7	404 561	2-30	404 887	58-7	404 891	40-50
404 004	38-28	404 826	24-9	404 887	58-28	404 891	40A-50
404 100	16-27	404 833	13-46	404 887	58-30	404 909	24-17
404 100	20-43	404 833	45A-74	404 887	58-31	404 909	29-11
404 100	41A-10	404 835	41A-15	404 887	58-33	404 909	42A-14
404 100	41A-13	404 835	52-19	404 887	58-34	404 910	28-36
404 100	44-21	404 835	52-33	404 887	58-35	404 910	38B-12
404 100	44-32	404 835	58-32	404 887	58A-28	404 910	69A-5
404 100	44-38	404 835	58A-32	404 887	58A-30	404 910	69A-10
404 100	49-48	404 835	63-10	404 887	58A-31	404 945	48-63
404 100	52-36	404 836	20-14	404 887	58A-33	405 450	42A-12
404 100	54-37	404 836	26-6	404 887	58A-34	405 580	20-5
404 101	14-30	404 836	35-18	404 887	58A-35	405 580	38A-5
404 101	30-17	404 836	49-4	404 887	63A-16	406 424	55-6
404 101	41A-12	404 836	53-6	404 887	67-12	406 424	55-59
404 104	52-21	404 837	9-25	404 887	67-30	406 424	57-24a
404 105	24-26	404 837	9-26	404 887	67-31	406 424	57-31
404 122	24-37	404 837	35-48	404 887	69A-6	406 345	44-11
404 122	24-47	404 837	35-50	404 888	16-25	406 369	35-17
404 224	12-36	404 838	20-7	404 888	17-25	406 373	29-10

Reissued: September 15, 1994

**PIPER AIRCRAFT
PA-28-181
AIRPLANE PARTS CATALOG**

Part Number	Figure and Index No.	Part Number	Figure and Index No.	Part Number	Figure and Index No.	Part Number	Figure and Index No.
406 551	50-29	407 564	30-32	407 564	67-31	407 567	20-9
406 637	16-35	407 564	36-40	407 565	2-30	407 567	20-27
406 637	24-8	407 564	36A-30	407 565	14-30	407 567	20-28
406 823	15-44	407 564	38A-28	407 565	16-25	407 567	30-52
406 830	21-27	407 564	38B-2	407 565	16-32	407 567	48-48
406 848	73-22	407 564	40A-9a	407 565	16-33	407 567	56-12
406 848	73-34	407 564	41A-10	407 565	17-25	407 567	56-35
406 863	15-45	407 564	41A-13	407 565	17-26	407 567	56A-12
406 927	2-24	407 564	41A-15	407 565	21-35	407 567	56A-31
406 942	2-26	407 564	43A-24	407 565	24-10	407 567	56A-35
407 041	15-17	407 564	44-21	407 565	27-3	407 567	64-31
407 043	44-38	407 564	44-32	407 565	27-8	407 568	40-50
407 046	56-35	407 564	44-38	407 565	28-28	407 568	40A-50
407 046	56A-35	407 564	48-43	407 565	28-30	407 568	52-21
407 102	15-16	407 564	48-50	407 565	30-33	407 569	13-47
407 104	40A-11	407 564	48-53	407 565	35-26	407 569	56-30
407 104	44-31	407 564	48-60	407 565	35-49	407 569	56A-30
407 105	20-45	407 564	48-63	407 565	36-39	407 582	14-27
407 106	63-12	407 564	48-64	407 565	38-5	407 582	42A-13
407 106	64-41	407 564	49-19	407 565	38A-5	407 583	2-37
407 107	64-28	407 564	49-35	407 565	41A-12	407 583	2-38
407 107	64-31	407 564	49-39	407 565	48-45	407 583	51-9
407 120	69A-11	407 564	49-41	407 565	49-42	407 584	9-27
407 122	73-22	407 564	49-44	407 565	49-52	407 584	12-31
407 122	73-34	407 564	49-48	407 565	52-22	407 584	12-32
407 124	30-30	407 564	49-54	407 565	58-29	407 584	16-31
407 136	20-24	407 564	50-19	407 565	58A-29	407 584	18-17
407 136	40-38	407 564	50-23	407 565	63-11	407 584	20-43
407 136	40A-38	407 564	50-30	407 565	63A-8	407 584	28-34
407 137	64-27	407 564	50-31	407 566	2-31	407 584	30-31
407 137	64-29	407 564	52-23	407 566	21-31	407 584	40A-9a
407 137	64-33	407 564	52-36	407 566	21 32	407 584	40A-11
407 144	64-28	407 564	53 16	407 566	22-10	407 584	43-20
407 561	35-17	407 564	54-37	407 566	24-1	407 584	44-32
407 562	13-30	407 564	55-45	407 566	24-37	407 584	44-34
407 562	13-33	407 564	58-28	407 566	24-47	407 584	45A-67
407 562	14-38	407 564	58-30	407 566	25-4	407 584	45A-74
407 562	24-11	407 564	58-31	407 566	35-48	407 584	48-60
407 562	29-11	407 564	58-32	407 566	35-50	407 584	48-63
407 562	49-36	407 564	58-33	407 566	48-34	407 584	50-23
407 562	49-37	407 564	58-34	407 566	48-36	407 584	50-26
407 563	28-36	407 564	58-35	407 566	48-40	407 584	50-28
407 563	38B-12	407 564	58A-28	407 566	48-44	407 584	50-57
407 563	69A-5	407 564	58A-30	407 566	48-49	407 584	51-7
407 564	2-27	407 564	58A-31	407 566	48-54	407 584	52-23
407 564	2-28	407 564	58A-32	407 566	48-56	407 584	52-33
407 564	2-29	407 564	58A-33	407 566	56-33	407 584	58-7
407 564	5-14	407 564	58A-34	407 566	56A-33	407 584	58A-7
407 564	8-40	407 564	58A-35	407 566	63-12	407 585	2-30
407 564	12-31	407 564	62A-15	407 566	64-27	407 585	13-77
407 564	12-32	407 564	63-10	407 567	2-31	407 585	14-70
407 564	13-79	407 564	63A-15	407 567	2-32	407 585	16-42
407 564	16-30	407 564	63A-16	407 567	2-33	407 585	20-14
407 564	21-33	407 564	67-12	407 567	2-34	407 585	26-7
407 564	21-34	407 564	67-30	407 567	2-36	407 585	26-21

Reissued: September 15, 1994

2G24

Island Enterprises

**PIPER AIRCRAFT
PA-28-181
AIRPLANE PARTS CATALOG**

Part Number	Figure and Index No.	Part Number	Figure and Index No.	Part Number	Figure and Index No.	Part Number	Figure and Index No.
407 585	28-32	407 801	27-9	415 521	73-34	424 051	44-37
407 585	28-33	407 801	28-31	415 533	69A-10	424 051	44-38
407 585	36A-24	407 887	38B-2	415 535	2-37	424 051	48-41
407 585	36A-31	408 815	44-13	415 535	2-38	424 051	48-53
407 585	48-45	408 816	41A-13	415 535	28-36	424 051	48-60
407 585	49-4	408 826	15-16	415 539	33A-9	424 051	48-63
407 585	53-6	408 826	15-17	415 540	69A-5	424 051	49-44
407 585	56-17	408 836	37A-25	415 544	15-45	424 051	49-48
407 585	56A-17	410 035	5-14	415 544	38B-12	424 051	50-25
407 586	9-25	410 043	2-8	415 544	69A-11	424 051	51-7
407 586	9-26	411 531	37A-25	415 753	51-9	424 051	51-8
407 586	13-49	411 532	43A-24	416 346	24-14	424 051	52-36
407 586	14-56	411 532	45A-67	416 633	28-39	424 051	53-16
407 586	21-25	411 532	62A-15	416 778	14-78	424 051	54-37
407 586	21-26	411 533	43-20	416 794	63-10	424 051	55-45
407 586	24-37	411 536	38B-2	417 781	49-40	424 052	48-39
407 586	24-38	414 467	28-8	419 584	15-43	424 052	49-43
407 586	24-47	414 553	43A-25	419 594	13-58	424 053	48-55
407 586	44-14	414 695	69A-7	419 594	14-58	424 054	48-35
407 586	48-38	414 736	13-78	419 594	33-62	424 054	48-57
407 586	56-37	414 761	34-22	419 641	15-43	424 055	48-42
407 586	56A-37	414 762	28-37	419 680	13-71	424 059	24-26
407 586	64-33	414 769	13-46	419 681	13-74	424 060	52-21
407 587	2-31	414 769	34-21	419 683	54-39	424 071	24-7
407 587	36-39	414 783	16-40	419 746	15-48	424 095	24-37
407 587	50-23	414 793	28-17	419 920	29-8	424 095	24-47
407 587	56-29	415 149	15-44	419 920	29-10	424 123	50-34
407 587	56-34	415 149	15-47	419 929	13-75	424 162	13-32
407 587	56-35	415 150	48-37	419 933	13-76	424 163	13-30
407 587	56-36	415 151	15-16	419 939	14-77	424 172	36-40
407 587	56A-29	415 171	29-11	419 967	51-11	424 172	36A-30
407 587	56A-34	415 179	13-49	424 041	14-38	424 175	31-16
407 587	56A-35	415 179	16-41	424 041	14-39	424 178	14-39
407 587	56A-36	415 309	2-39	424 041	49-36	424 178	30-20
407 587	64-31	415 309	2-49	424 041	49-37	424 180	50-25
407 591	40-43	415 312	2-40	424 041	49-38	424 181	31.17
407 591	40A-46	415 312	2-48	424 041	52-35	424 184	31-18
407 595	38A-11	415 320	2-27	424 050	44-34	424 186	51-8
407 641	13-38	415 321	10-49	424 051	13-30	424 189	31-19
407 674	40-53	415 323	10-50	424 051	13-33	424 203	36A-31
407 674	69A-6	415 376	33-58	424 051	13-77	424 204	13-77
407 677	13-73	415 378	13-73	424 051	14-30	424 204	14-70
407 680	13-69	415 379	40-52	424 051	14-70	424 205	36-39
407 680	14-44	415 379	40-53	424 051	16-29	434 126	67-14
407 680	14-55	415 379	40A-53	424 051	20-43	434 129	40-15c
407 682	40-52	415 447	15-46	424 051	30-19	434 132	30-28
407 684	50-33	415 448	44-12	424 051	36-39	434 133	45-77
407 694	10-48	415 449	15-46	424 051	36-40	434 134	40A-43
407 694	10-49	415 449	27-4	424 051	36A-30	434 142	45-20
407 694	10-50	415 449	29-8	424 051	36A-31	434 144	73-10
407 694	12-52	415 449	29-9	424 051	41A-10	434 151	30-29
407 800	28-35	415 450	15-45	424 051	41A-12	434 159	45-78
407 800	38B-2	415 452	15-45	424 051	41A-13	450 030	62-1
407 800	40A-12	415 518	24-12	424 051	44-21	450 035	62-1
407 800	62A-8	415 520	73-22	424 051	44-32	450 101	62A-1

Reissued: September 15, 1994

**PIPER AIRCRAFT
PA-28-181
AIRPLANE PARTS CATALOG**

Part Number	Figure and Index No.	Part Number	Figure and Index No.	Part Number	Figure and Index No.	Part Number	Figure and Index No.
450 380	38-1	452 570	58-18	454 706	69A-1	455 948	31-1
450 380	38A-1	452 570	58A-18	454 706	69B-3	455 948	32-13
450 397	59-38	452 571	58-10	454 707	60-1	455 968	31-1
450 741	59-48	452 571	58A-10	454 708	60-1	455 968	32-28
450 741	76-38	452 605	20-37	454 709	38B-17	456 015	20-22
450 742	59-49	452 606	44-22	454 709	55-40	456 615	57-14
450 745	59-7	452 606	44-23	454 709	60-1	456 682	47-23
450 957	40-6	452 679	35-55	454 709	61-2	456 682	76-83
451 103	45-31	452 680	35-55	454 719	60-1	456 703	59-78
451 103	45A-1	452 766	21-3	454 732	60A-3	456 703	60A-9
451 272	73-4	452 766	21-7	454 732	61-2	456 703	74-13
451 273	73-5	452 766	21-28	454 736	60A-3	456 728	63-6
451 735	20-3	452 823	56-6	454 738	38A-18	458 855	40-45
451 735	24-20	452 824	56-5	454 738	38B-18	458 855	40A-45
451 783	25-15	452 824	56A-5	454 738	60A-3	458 868	45-87
451 857	47-6	452 935	55-16	454 739	60A-3	458 868	45A-37
451 872	45-16	452 935	57-7	454 743	38A-17	458 871	45A-38
451 872	45A-42	452 935	57A-7	454 743	38B-17	458 879	39-33
451 881	38-20	453 024	36B-2	454 743	55-40	458 881	30-22
451 881	38A-21	453 124	21-13	454 743	60-1	458 886	40-55
451 881	38A-18	453 124	24-33	454 743	61-2	458 891	31-21
451 881	69B-11	453 425	68-10	454 797	38B-17	458 892	45-29
451 906	56-39	453 425	69-8	454 806	69B-16	458 892	46-13
451 939	38-21	453 425	69A-4	454 816	40-34	458 893	39-34
451 939	38A-18	453 639	59-53	454 837	40-35	458 894	24-4
451 939	38A-23	453 680	45-23	454 837	40A-35	458 894	30-23
451 939	69B-10	453 680	45A-43	454 868	38B-12	458 894	31-20
451 997	75-10	453 687	37-29	454 868	45A-66	458 894	31-20
452 015	50-16	453 687	37-29	454 868	45A-66	458 895	45-27
452 332	20-1	453 695	60-32	454 868	45A-73	458 895	46-12
452 334	20-23	453 709	37-60	454 887	13-14	458 895	46-12
452 335	48-70	453 714	31-15	454 887	13-14	458 898	40A-54
452 335	49-22	453 732	35-4a	454 921	75-8	458 904	31-24
452 335	49-22	453 732	36-4a	454 928	39-40	458 910	30-25
452 336	49-22	453 732	36A-46	454 935	36B-2	458 910	30-26
452 341	20-38	453 732	36A-46	454 977	38B-2	458 946	45-6
452 372	52-8	453 742	59-46	454 981	38-23	458 946	45A-8
452 386	35-12	453 836	73-9	454 985	54-25	458 948	45-74
452 386	36-17	453 838	73-8	454 985	54-26	458 948	45A-41
452 386	36A-6	453 855	74-8	454 993	54-34	458 948	45A-41
452 387	4-34	453 855	74-8	454 993	54-34	458 958	38-17
452 387	4-36	453 856	13-83	454 994	45-79	458 958	38-18
452 387	4-41	453 966	2-47	455 124	21-12	458 958	38A-6
452 387	18-7	454 053	21-14	455 124	24-34	459 441	13-56
452 387	19-7	454 053	24-32	455 151	62-4	459 849	37-77
452 388	52-10	454 083	59-40	455 173	39-11	460 105	75-11
452 389	52-9	454 161	62-5	455 173	39-49	460 464	46-16
452 394	12-37	454 656	68-17	455 173	45-81	460 594	59-52
452 413	50-45	454 657	69B-1	455 173	45A-58	460 602	60-2
452 418	50-44	454 668	38B-18	455 174	45A-70	460 602	74-12
452 419	20-2	454 668	60-1	455 211	62A-10	460 632	40-18
452 465	59-34	454 668	69A-1	455 305	44-19	460 632	40A-18
452 558	58-20	454 669	60-1	455 352	44-18	460 651	45-10
452 558	58A-20	454 670	60-1	455 417	69B-15	460 651	45A-44
452 561	58-27	454 679	60-1	455 417	72-7	460 652	45-64
452 561	58A-27	454 681	69B-2	455 417	72-7	460 652	45-64
		454 706	38B-18	455 938	30-35	460 652	45A-51
		454 706	60-1	455 944	31-1	460 682	37-52
				455 944	32-1	460 685	40-36

Reissued: September 15, 1994

**PIPER AIRCRAFT
PA-28-181
AIRPLANE PARTS CATALOG**

Part Number	Figure and Index No.	Part Number	Figure and Index No.	Part Number	Figure and Index No.	Part Number	Figure and Index No.
460 685	40A-36	468 002	73-17	474 652	73-2	477 887	20-28
460 691	24-24	468 006	73-18	474 655	73-31	480 592	36-7
460 691	24-36	468 029	62A-9	474 659	73-31	480 694	13-31
460 836	38-22	469 600	73-25	475 124	40-7	480 696	49-16
460 888	38-6	471 084	36-48	475 124	40A-7	480 698	49-17a
460 888	38A-27	471 084	36A-42c	475 210	55-13	480 701	35-23
461 136	49-45	472 010	13-5	475 210	57-4	480 701	35-36
461 386	55-5	472 010	14-5	475 272	59-75	480 701	36-35
461 386	55-11	472 017	28-4	476 647	45-82	480 701	36A-26
461 386	57-21	472 017	28-16	476 647	45A-59	480 715	49-17
461 386	57-24	472 017	43-4	476 647	72-9	480 730	52-19
461 391	55-5	472 017	43A-15	476 662	45-28	480 732	36-36
461 391	55-11	472 027	59-74	476 662	45-72	480 732	36A-22
461 391	57-21	472 028	60A-17	476 662	46-11	480 733	49-17a
461 391	57-24	472 028	60A-22	476 673	63-7	480 777	36-7
461 629	37-57a	472 028	61-18	476 673	63A-3	480 777	36A-28
461 629	52-47	472 034	59-9a	476 676	63A-4	480 789	36-8
461 629	59-58	472 036	59-21	476 678	45-8	480 789	36A-29
461 629	61-12	472 054	60-24	476 678	45-25	480 800	14-40
461 629	61-14	472 054	60-31	476 678	45A-12	480 801	36-34
461 629	62-17	472 054	61-17	476 685	45A-46	480 801	36A-27
461 629	62A-17	472 056	60-23	476 686	45A-63	481 247	66-1
461 629	62A-19	472 056	60-46	476 687	45-21	481 625	48-33
461 629	75-15	472 056	74-11	476 688	40-47	481 640	50-22
461 629	75-16	472 071	59-62	476 688	40A-47	481 640	67-32
461 657	62-15	472 086	60-47	476 697	45A-69	481 651	52-20
461 659	59-64	472 200	39-7	476 705	45A-47	481 666	45-1
461 660	59-64	472 200	55-32	477 611	67-25	481 666	45A-2
461 661	59-57	472 200	60A-24	477 618	30-27	481 666	46-1
461 740	45A-2	472 200	60A-25	477 629	40-43	481 772	7-37
461 905	41A-11	472 200	60B-12	477 629	40A-51	484 125	63A-2
461 907	38A-3	472 200	60B-13	477 631	45A-53	484 198	28-17
461 931	47-5	472 200	61-19	477 640	16-40	484 198	28-21
462 012	59-42	472 200	61-20	477 640	16-41	484 209	60-40
462 023	38-5	472 661	59-45	477 640	28-8	484 209	61-1
462 024	21-11	472 665	59-28	477 640	28-17	484 209	61-15
462 024	24-31	472 666	59-31	477 668	40A-11	484 229	67-18
462 049	45-12	472 736	59-25	477 670	46-15	484 234	74-10
462 049	45A-9	472 844	61-16	477 672	2-38	484 291	43-10
462 050	21-16	472 895	66-4	477 672	16-20	484 307	45-70
462 060	45-30	472 896	66-4	477 672	18-16	484 307	45A-48
462 060	45A-54	472 969	37-25	477 674	27-4	484 348	45-69
462 112	56-4	472 987	66-4	477 683	34-21	484 348	45A-52
463 380	30-18	472 988	66-4	477 683	34-22	484 373	63-8
463 615	60-41	473 187	55-4	477 696	15-16	484 375	59-22
464 046	13-54	473 187	55 10	477 696	15-17	484 428	43-18
464 362	73-1	473 187	57-20	477 696	33-58	484 461	74-14
464 412	13-85	473 187	57-23	477 708	36-38a	484 467	61-9
464 412	14.17	473 195	55-4	477 708	36A-23	484 524	67-19
464 448	73-1	473 195	55-10	477 709	35-26	484 683	21-21
465 258	52-46	473 195	57-20	477 778	33A-9	484 698	26-4
465 258	61-13	473 195	57-23	477 816	28-21	484 701	30-42
467 064	73-7	473 700	55-10	477 816	28-38	484 705	21-18
467 064	59-36b	473 700	57A-20	477 850	38A-5	484 706	30-47
467 067	59-36a	474 642	73-26	477 887	20-27	484 720	21-19

Reissued: September 15, 1994

2H3

Island Enterprises

**PIPER AIRCRAFT
PA-28-181
AIRPLANE PARTS CATALOG**

Part Number	Figure and Index No.	Part Number	Figure and Index No.	Part Number	Figure and Index No.	Part Number	Figure and Index No.
484 727	30-43	488 330	45A-60	494 087	63-10	550 493	37-23
484 733	21-10	488 380	39-39	494 093	52-19	550 548	37-54
484 747	50-41	488 490	45-9	494 101	16-20	550 549	37-55
484 769	24-22	488 496	45-22	494 101	16-40	550 556	37A-7
484 770	21-15	488 497	45-22	494 101	28-17	550 778	69-15
484 788	32-8	488 499	31-22	494 101	28-37	550 780	69-5
484 792	8-28	488 545	59-50	494 103	48-58	550 981	40-6
484 792	24-28	489 388	33-22	494 123	54-27	551 038	40A-6
484 841	54-45	489 400	60-18	494 133	36-37	551 114	69-10
485 196	56A-40	489 873	50-16	494 133	36A-24	551 374	35-42
485 196	56A-43	489 910	48-51	494 141	13-72	551 390	35-41
485 197	56A-41	489 910	49-46	494 159	67-2	551 424	35-55
485 197	57A-10a	489 910	52-31	494 177	32-11	551 425	35-55
485 198	56A-40	491 048	45-69	494 227	40A-53	551 705	24-52
486 126	56-18	491 049	39-37	494 644	45-11	551 705	26-1
486 126	56A-18	491 049	69B-14	494 644	45A-10	551 764	24-53
486 145	14-21	491 050	30-21	494 678	73-21	551 764	25-1
486 160	13-72	491 050	30-24	510 058	16-20	551 766	20-35
486 188	24-27	491 050	31-23	510 306	60B-16	551 766	22-1
486 218	28-21	491 054	45-70	514 758	60A-18	551 773	20-35
486 218	28-38	491 055	40-48	515 714	45A-74	551 773	23-1
486 274	40-37	491 055	40A-48	519 853	14-44	551 779	20-35
486 274	40A-37	491 059	39-36	519 853	14-56	551 779	23-1
486 281	70-18	491 059	39-39	524 145	44-34	551 785	20-35
486 281	71-12	491 060	30-26	548 039	37-23	551 785	22-1
486 286	15-44	491 082	45-71	548 040	37-23	551 983	56-2
486 416	67-17	491 082	45-73	548 114	37-18	551 983	65-1
486 439	45A-71	491 082	46-14	548 115	37-17	552 250	58A-2
486 560	35 57	491 947	45-26	548 153	37-23	553 003	75-11
486 563	49-53	491 947	46-1	548 190	37-23a	553 230	56-10
486 570	37-50	492 022	45-7	548 190	37A-3	553 230	56A-10
486 684	59-65	492 022	45A-9	548 289	37A-12	553 266	12-36
486 896	67-26	492 022	47-22	548 290	37A-11	553 266	16-34
487 192	59-71	492 100	39-14	548 330	37-23	553 494	66-7
487 437	41A-10	492 153	47-4	548 331	37-23	553 685	45A-62
487 629	33-11	492 240	38-8	548 407	37-23	553 781	45-85
487 674	7-4	492 240	38A-12	548 435	37A-5	554 094	44-20
487 700	60-21	492 241	39-9	548 460	37A-6	554 095	44-20
487 719	43-19	492 241	39-47	548 512	60-43	554 142	54-35
487 722	69A-9	492 312	45A-7	548 561	52-45	554 143	54-18
487 725	56A-4	492 338	55-3	548 671	47-19	554 144	54-19
487 728	43A-23	492 339	55-9	548 799	37-34	554 224	73-23
487 768	62A-9	494 001	13-71	548 800	37-35	554 365	55-44
487 901	68-7	494 001	13-74	548 868	37-24	554 422	36A-2a
487 904	52-38	494 001	15-48	548 868	37A-2	554 575	69B-19
487 904	52-43	494 001	54-39	548 885	37A-14	554 598	38-10
487 904	60-30	494 002	14-78	548 885	60A-34	554 598	38A-13
487 925	61-5	494 025	21-17	550 456	37-17	554 598	38A-24
488 310	39-10	494 037	28-8	550 457	37-18	554 598	69B-20
488 310	39-48	494 037	28-21	550 460	37-18	554 640	55-38
488 310	67-24	494 037	28-38	550 483	37-23a	554 659	38B-3
488 315	39-38	494 037	28-39	550 487	59-46	554 678	56-25
488 315	72-8	494 037	43A-25	550 488	37-23	554 686	73-32
488 318	45-63	494 040	35-18	550 489	37-23	554 714	58-16
488 327	44-30	494 066	50-29	550 491	37-23	554 714	58A-16

Reissued: September 15, 1994

2H4

Island Enterprises

**PIPER AIRCRAFT
PA-28-181
AIRPLANE PARTS CATALOG**

Part Number	Figure and Index No.	Part Number	Figure and Index No.	Part Number	Figure and Index No.	Part Number	Figure and Index No.
554 752	54-50	555 699	15-42	557 370	62A-9	564 866	56A-6
554 761	56-3	555 700	15-42	557 580	40A-52	564 868	35-42
554 766	56A-25	555 701	15-42	557 800	56A-1	565 516	60-22
554 772	54-28	555 702	15-42	558 300	59-74	565 523	73-27
554 772	54-52	555 703	15-42	558 830	45-75	565 576	56-19
554 793	38A-4	555 704	15-42	558 830	45A-39	566 256	56-21
554 808	38-24	555 731	70-17	558 831	45A-40	566 524	Misc.
554 845	45A-72	555 884	36-43	558 900	38-18	571 136	59-24
554 848	41-10	555 885	36-43	558 900	38A-7	571 136	59-70
554 859	40-56	555 886	36-43	558 900	38B-5	571 149	36A-36
554 861	38-25	555 887	36-43	558 910	45-86	571 162	55-33
554 861	38A-22	555 888	36-43	558 912	38-19	571 162	61-4
554 861	39-5	555 889	36-43	558 913	38A-24	571 192	37A-21
554 861	39-35	555 890	36-43	558 913	69B-13	571 192	60A-23
554 861	47-14	555 891	36-43	559 031	62A-4	572 557	66-4
554 861	55-37	555 953	36-43	559 700	36-43	572 558	66-4
554 861	55-57	555 954	36-43	559 707	36-43	572 559	59-28
554 861	57-16	555 955	36-43	559 714	36-43	572 560	66-4
554 861	57A-16	555 956	36-43	559 721	36-43	572 561	66-4
554 861	67-28	555 957	36-43	559 728	36-43	572 562	59-31
554 861	69B-18	555 985	15-42	559 735	36-43	572 582	59-17
554 861	72-10	556 105	39-2	559 748	36-43	572 610	59-68
554 882	54-13	556 119	15-42	559 759	15-42	572 625	60A-22
554 882	54-14	556 315	15-42	559 760	36-43	572 634	59-25
554 888	38-26	556 469	36-43	559 771	15-42	572 646	59-9a
554 888	38A-13	556 470	36-43	559 772	36-43	572 592	66-4
554 888	38A-16	556 471	36-43	559 783	15-42	572 593	66-4
554 888	69B-17	556 472	36-43	559 784	36-43	572 634	59-25
554 888	75-3	556 473	36-43	559 794	15-42	572 662	59-72
554 888	75-7	556 474	36-43	559 795	36-43	579 080	14-13
554 892	75-9	556 677	36-43	559 806	15-42	579 081	14-13
554 896	54-24	556 678	36-43	559 827	36-43	579 082	14-13
554 926	57-11	556 693	15-42	559 828	36-43	579 083	33-16
554 926	57A-11	556 694	15-42	559 829	36-43	579 084	33-16
554 941	45A-65	556 705	36-43	560 835	38A-17	579 085	33-16
554 953	39-32	556 713	15-42	560 835	69B-12	579 086	33-15
554 954	69A-8	556 753	73-11	560 951	47-6	579 087	33-15
554 958	38-27	556 893	73-35	561 012	56-26	579 088	33-15
554 979	48-52	556 921	36-43	561 012	56-39	579 104	33-14
554 979	49-47	556 932	36-43	561 012	56A-26	579 105	33-14
554 979	50-17	556 933	36-43	561 013	56-27	579 106	33-14
554 979	52-42	556 939	15-42	561 013	56A-27	579 119	33-17
554 985	38-24	556 940	15-42	561 027	39-7	579 120	33-17
554 985	38A-8	556 941	15-42	561 027	55-32	579 121	33-17
554 998	30-5	557 033	36-43	561 027	60A-24	579 201	33-15
555 412	56-1	557 034	36-43	561 027	60A-25	579 256	14-13
555 421	73-11	557 035	36-43	561 027	60B-12	579 257	14-13
555 422	73-11	557 057	15-42	561 027	60B-13	579 261	14-13
555 457	58-2	557 058	15-42	561 027	61-19	579 262	14-13
555 501	73-11	557 059	15-42	561 027	61-20	579 263	14-13
555 563	36-43	557 122	59-77	564 852	64-26	579 264	33-16
555 564	36-43	557 198	15-42	564 862	35-41	579 265	33-16
555 565	36-43	557 199	15-42	564 863	35-55	579 266	33-16
555 566	36-43	557 200	15-42	564 864	35-55	579 267	33-16
555 568	36-43	557 201	15-42	564 865	56A-6	579 268	33-16

Reissued: September 15, 1994

2H5

Island Enterprises

**PIPER AIRCRAFT
PA-28-181
AIRPLANE PARTS CATALOG**

Part Number	Figure and Index No.	Part Number	Figure and Index No.	Part Number	Figure and Index No.	Part Number	Figure and Index No.
579 269	33-15	579 722	33-14	584 140	28-17	591 010	34-11
579 270	33-15	579 723	33-14	584 140	28-21	591 016	34-12
579 271	33-15	579 724	33-14	584 256	56-27	591 017	34-12
579 276	33-15	579 725	33-14	584 256	56A-27	591 018	34-12
579 277	33-15	579 727	33-14	584 257	56-26	591 020	34-12
579 280	33-17	579 740	33-14	584 257	56A-26	591 021	34-12
579 281	33-17	579 741	33-14	584 258	56-39	591 022	34-12
579 282	33-17	579 742	33-14	584 279	60-48	591 023	34-12
579 283	33-17	579 743	33-14	584 315	59-67	591 025	34-12
579 284	33-17	579 745	33-14	584 402	33B-2	591 026	34-2
579 285	33-17	579 872	33-17	584 402	33B-10	591 027	34-2
579 286	33-17	579 874	33-17	585 015	59-20	591 028	34-2
579 287	33-14	579 875	33-17	587 221	13-67	591 030	34-2
579 288	33-14	579 876	33-17	587 297	45-80	591 031	34-4
579 296	33-14	579 877	33-17	587 297	46-3	591 032	34-4
579 316	14-13	579 884	13-20	587 299	35-14	591 033	34-4
579 317	33-16	579 885	13-20	587 299	36-16	591 035	34-4
579 338	14-13	579 886	13-20	587 299	36A-5	591 147	34-1
579 339	14-13	579 887	13-20	587 381	14-35	591 148	34-1
579 340	33-16	579 888	13-20	587 398	14-29	591 149	34-1
579 341	33-16	579 889	13-20	587 404	36-44	591 151	34-1
579 342	33-15	579 908	33-16	587 404	36A-40	591 152	34-1
579 343	33-15	579 910	33-16	587 593	28-21	591 153	34-1
579 346	33-17	579 911	33-16	587 594	28-17	591 154	34-1
579 347	33-17	579 912	33-16	587 807	74-2	591 156	34-1
579 354	33-15	579 913	33-16	587 808	74-3	591 182	34-4
579 356	33-17	580 708	14-13	587 808	74-4	591 183	34-4
579 370	33-15	580 711	33-16	587 808	74-5	591 184	34-4
579 371	33-15	580 715	33-17	587 809	74-6	591 186	34-4
579 380	33-14	580 725	33-14	587 852	58-14	591 216	34-1
579 381	33-14	580 726	33-15	587 852	58A-14	591 217	34-1
579 410	14-13	580 737	33-15	587 857	59-66	591 218	34-1
579 411	33-16	580 743	33-14	587 903	61-7	591 220	34-1
579 412	33-15	580 779	33-16	587 923	60-38	591 225	34-1
579 413	33-17	580 780	33-15	587 923	67-8	591 226	34-1
579 416	33-14	580 781	33-15	587 952	70-13	591 227	34-1
579 417	33-14	580 784	33-17	587 961	40-42	591 228	34-1
579 485	33-14	580 795	33-14	587 990	40-54	591 275	34-2
579 486	33-14	580 796	33-14	588 011	70-14	591 276	34-2
579 487	33-14	580 798	14-13	588 011	71A-10	591 277	34-2
579 616	14-13	580 881	20-30	588 030	71-6	591 279	34-2
579 617	14-13	580 881	76-6	588 109	55-32	591 399	34-19
579 618	14-13	580 887	45A-11	588 356	74-9	591 400	34-19
579 619	14-13	581 025	43-8a	588 391	45A-50	591 401	34-19
579 620	14-13	581 126	67-3	588 436	45-63	591 403	34-19
579 626	33-15	581 330	53-7	588 436	45A-49	591 493	34-11
579 627	33-15	581 332	53-8	588 462	45-76	591 497	34-12
579 628	33-15	581 489	13-57	588 464	60-33	591 499	34-12
579 629	33-15	581 657	60A-3	588 464	60A-31	591 501	34-2
579 630	33-15	581 928	13-64	588 469	40-33	591 503	34-4
579 685	33-15	581 928	14-77	588 469	40A-15	591 545	34-1
579 686	33-15	581 928	15-49	589 688	57-10	591 547	34-1
579 687	33-15	582 172	64-36	591 006	34-11	591 579	34-19
579 688	33-15	582 341	66-2	591 007	34-11	591 620	34-2
579 690	33-15	584 137	73-33	591 008	34-11	591 622	34-2

Reissued: September 15, 1994

2H6

Island Enterprises

**PIPER AIRCRAFT
PA-28-181
AIRPLANE PARTS CATALOG**

Part Number	Figure and Index No.	Part Number	Figure and Index No.	Part Number	Figure and Index No.	Part Number	Figure and Index No.
591 623	34-2	596 332	73-30	687 211	60A-30	751 859	38-4
591 624	34-4	596 605	72-1	687 604	62-19	751 872	45-2
591 626	34-4	596 664	73-30	687 703	56A-3	751 872	45A-2a
591 627	34.4	597 257	71A-3	687 800	60A-3	751 872	46-4
591 700	34-1	597 257	71B-2	688 153	69A-2	751 889	30-41
591 702	34-1	597 426	72-1	688 164	69-16	751 897	68-12
591 703	34-1	597 461	71A-1	688 175	60A-19	751 912	37-82
591 704	34-1	598 181	37A-22	688 178	60-6	751 987	69-9
591 706	34-1	598 599	37A-10	688 217	59-9	752 301	13-80
591 707	34-1	599 179	59-78	688 235	61-8	752 307	59-35
591 806	34-2	599 282	37A-19	688 289	52-51	752 342	26-14
591 807	34-4	599 543	37A-18	688 296	39-7	752 342	26-18
591 827	34-1	599 549	37A-8	688 296	60A-25	752 571	23-13
591 828	34-1	599 551	37A-20	688 296	60B-13	752 584	32-7
591 855	34-12	599 552	37A-20a	688 296	61-20	752 585	32-9
591 856	34-12	599 562	37A-4	688 297	60B-12	752 826	26-15
591 857	34-12	653 588	60A-20	688 298	55-32	752 826	26-19
591 858	34-12	654 103	40A-32	688 298	60A-24	752 830	22-8
591 859	34-2	680 047	14-13	688 298	61-19	752 830	25-11
591 860	34-2	680 048	14-13	688 374	33B-2	752 855	30-50
591 861	34-4	680 049	14-13	688 374	33B-10	752 869	46-9
591 862	34-4	680 050	14-13	688 374	59-73	752 882	27-10
591 903	34-1	680 054	33-16	688 404	71B-5	752 965	26-8
591 904	34-1	680 055	33-16	688 425	57A-9	752 966	26-9
591 905	34-1	680 056	33-16	688 426	60A-21	753 085	58-13
591 906	34-1	680 057	33-16	689 106	57A-10	753 085	58A-13
591 941	34-12	680 058	33-15	689 970	71B-1	753 119	46-6
591 942	34-12	680 059	33-15	690 091	41A-10	753 172	30-44
591 943	34-2	680 060	33-15	751 118	37-19	753 193	46-8
591 944	34-4	680 061	33-15	751 201	59-33	753 375	64-3
591 964	34-1	680 076	33-17	751 201	66-6	753 376	64-8
591 965	34-1	680 077	33-17	751 202	59-30	753 380	64-15
591 992	34-12	680 078	33-17	751 202	66-6	753 381	30-48
591 993	34-12	680 079	33-17	751 203	59-27	753 407	26-5
591 994	34-12	680 095	33-14	751 316	70-3	753 408	26-20
591 995	34-12	680 096	33-14	751 318	70-4	753 431	59-26
591 996	34-2	680 097	33-14	751 319	70-5	753 448	22-6
591 997	34-2	680 098	33-14	751 381	59-29	753 650	46-10
591 998	34-4	680 117	14-13	751 381	59-32	753 850	26-10
591 999	34-4	680 118	33-16	751 381	66-7	753 910	38-3
592 038	34-1	680 119	33-15	751 405	22-9	753 920	26-2
592 039	34-1	680 122	33-17	751 405	25-14	753 956	30-36
592 040	34-1	680 126	33-14	751 489	22-6	753 980	68-4
592 041	34-1	680 145	62A-9	751 489	25-7	753 980	69-6
592 076	34-12	680 500	40A-31	751 494	22-3	754 535	25-8
592 077	34-12	680 500	56A-2	751 494	22-5	754 827	65-5
592 078	34-2	683 019	20-39	751 494	25-3	754 836	69-19
592 079	34-4	683 019	76-7	751 494	25-6	754 848	32-10
592 098	34-1	683 502	59-74	751 772	25-10	754 855	23-10
592 099	34-1	686 046	62A-9	751 772	25-12	754 895	38B-11
592 633	57A-12	686 083	36B-1	751 799	45-3	755 028	32-14
592 634	45A-64	686 813	59-78	751 799	45A-2b	755 075	59-30a
594 003	28-17	686 814	59-75	751 799	46-5	755 075	59-33a
594 003	28-21	686 814	59-78	751 815	38-9	755 075	66-9
596 118	73-15	686 820	61-1	751 819	22-7	755 076	66-10

Reissued: September 15, 1994

**PIPER AIRCRAFT
PA-28-181
AIRPLANE PARTS CATALOG**

Part Number	Figure and Index No.	Part Number	Figure and Index No.	Part Number	Figure and Index No.	Part Number	Figure and Index No.
755 082	32-35	756 666	25-2	758 250	64-13	761 903	65-12
755 096	59-30e	756 685	23-12	758 251	64-17	761 913	64-12
755 096	59-33e	756 687	23-4	758 266	70-6	761 939	70-1
755 096	66-14	756 688	23-2	758 267	70-7	761 967	70-1
755 104	47-20	756 757	64-11	758 281	70-2	761 970	20-4
755 232	65-9	757 052	69-3	758 296	68-16	761 970	24-19
755 271	65-2	757 052	69-11	758 296	69-20	761 994	20-4
755 272	56-24	757 112	Misc.	758 364	70-2	761 995	24-19
755 340	64-16	757 216	30-45	758 366	64-19	762 003	66-5
755 427	37-21	757 217	30-46	758 369	64-9	762 030	71-1
755 428	37-22	757 310	37-83	758 392	23-6	762 049	64-22
755 432	68-1	757 311	64-10	758 394	23-11	762 050	64-25
755 803	46-2	757 316	32-16	758 402	59-35	762 275	32-6
755 818	26-11	757 317	32-17	758 452	71A-2	762 276	32-3
755 846	64-4	757 318	32-26	758 453	71A-5	762 277	32-4
755 882	30-38	757 318	32-32	758 456	22-9	762 357	71A-6
755 883	26-12	757 386	65-4	758 457	32-41	762 426	59-30c
755 884	26-13	757 387	65-3	758 471	65-8	762 426	59-33c
755 885	26-16	757 388	65-14	758 528	71-2	762 426	66-12
755 886	26-17	757 389	65-15	758 573	64-20	762 489	64-5
755 887	26-3	757 390	65-16	758 574	64-23	762 490	64-2
755 948	30-37	757 392	65-6	758 575	64-3	762 491	64-7
755 949	30-39	757 437	32-21	758 576	64-8	762 492	64-11
755 950	30-40	757 479	32-5	758 580	64-9a	762 493	64-24
755 964	22-12	757 480	32-2	760 297	Misc.	762 508	65-18
755 999	25-9	757 579	68-15	760 459	Misc.	762 531	32-12
756 016	32-19	757 579	69-1a	760 995	Misc.	762 558	23-8
756 016	32-37	757 580	32-18	760 996	Misc.	762 559	23-7
756 017	32-22	757 580	32-39	761 000	Misc.	762 562	23-9
756 018	32-23	757 597	60-6	761 006	Misc.	762 581	66-15
756 018	32-36	757 719	65-19	761 007	Misc.	762 585	32-31
756 019	32-27	757 721	65-17	761 020	Misc.	762 586	32-42
756 037	66-15	757 745	64-5	761 039	52-4	762 587	32-29
756 060	65-11	757 746	64-7	761 089	Misc.	762 616	66-15
756 061	65-13	757 768	68-14	761 150	55-12	762 628	64-6
756 065	64-6	757 768	69-1	761 150	57-3	762 629	64-21
756 066	64-18	757 790	38-9a	761 156	66-5	762 636	59-30f
756 067	64-16	757 863	68-13	761 162	66-8	762 636	59-33f
756 108	46-3	757 863	69-7	761 208	66-11	762 669	38B-9
756 117	30-49	757 899	38-7	761 222	66-8	762 681	38B-9
756 118	30-51	757 899	38A-27	761 253	66-8	763 003	13-17
756 118	32-24	757 913	68-6	761 254	66-8	763 003	14-10
756 118	32-34	757 952	69-17	761 255	59-30d	763 003	33-49
756 159	64-2	757 981	64-14	761 255	59-33d	763 004	71-4
756 162	46-7	758 001	68-5	761 255	66-13	763 019	71A-4
756 398	70-1	758 001	69-12	761 256	59-30b	763 053	37-55
756 616	37-84	758 002	69-17	761 256	59-33b	763 216	23-3
756 620	32-20	758 023	69-2	761 256	66-11	763 216	23-5
756 621	32-15	758 024	69-4	761 285	59-68	763 287	22-3
756 621	32-38	758 092	7-3	761 315	59-26	763 287	22-5
756 622	32-25	758 181	68-8	761 519	58-12	763 395	64-14
756 622	32-33	758 188	68-2	761 778	55-13	763 450	32-40
756 665	22-2	758 224	65-7	761 778	57A-4	763 451	32-30
756 665	25-5	758 225	65-10	761 821	38B-1	763 469	66-1
756 666	22-4	758 249	64-15	761 863	58A-12	763 496	60-44

Reissued: September 15, 1994

2H8

Island Enterprises

**PIPER AIRCRAFT
PA-28-181
AIRPLANE PARTS CATALOG**

Part Number	Figure and Index No.	Part Number	Figure and Index No.	Part Number	Figure and Index No.	Part Number	Figure and Index No.
763 712	23-2						
763 713	23-4						
763 718	22-2						
763 719	22 4						
763 781	64-11						
763 814	55-32						
763 815	61-8						
763 828	Misc.						
763 842	Misc.						
763 848	2-15						
763 882	Misc.						
763 920	Misc.						
763 962	Misc.						
763 966	Misc.						
764 050	Misc.						
764 092	64-30						
764 401	67-7						
765 014	38B-16						
765 019	38B-16						
765 122	Misc.						
765 157	Misc.						
765 497	38A-19						
765 551	38B-10						
765 553	38B-14						
765 553	76-87						
765 648	38B-10						
923 384	56A-45						
924 450	58A-24						

Reissued: September 15, 1994

**PIPER AIRCRAFT
PA-28-181
AIRPLANE PARTS CATALOG**

**PAGES 2H10 THRU 2L24
INTENTIONALLY LEFT BLANK**

Reissued: September 15, 1994

2H10

Island Enterprises