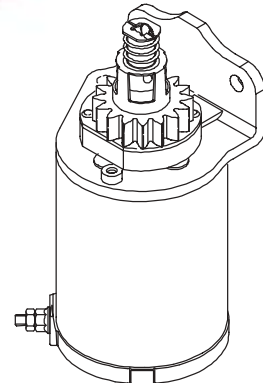
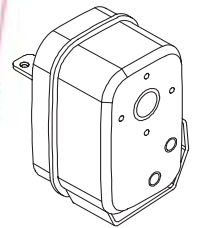
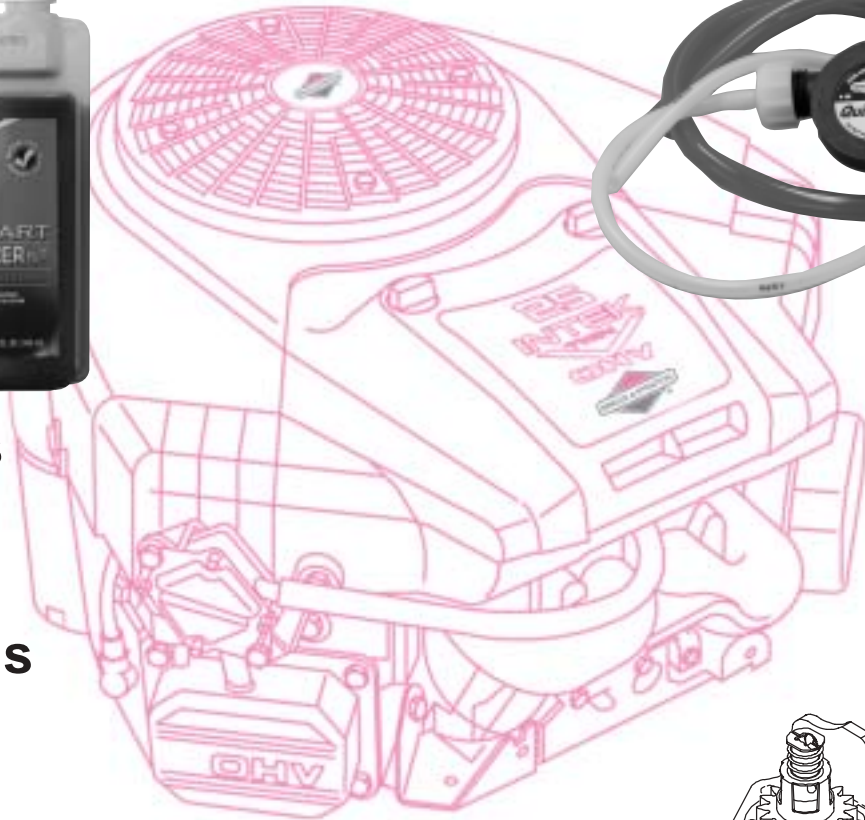




BRIGGS & STRATTON ***Accessories Catalog***



- Air Cleaners**
- Controls**
- Exhaust**
- Fuel Systems**
- Lubrication**
- Starters**
- Generator Accessories**
- Pressure Washer Accessories**
- Miscellaneous**
- 3 L/C Engine Options**

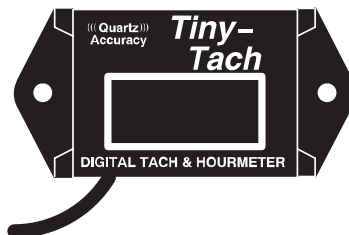


TABLE OF CONTENTS

AIR CLEANERS

DUAL ELEMENT AIR CLEANER KITS	1
REMOTE AIR INTAKE KITS	1

CONTROLS

THROTTLE CONTROLS	3
REMOTE CHOKE ADAPTER	4

EXHAUST

STANDARD MUFFLER DEFLECTORS, STANDARD MUFFLER LOCKNUTS & EXHAUST ELBOWS	5
MUFFLERS, GUARDS, HEAT SHIELDS, BRACKETS, ADAPTERS, DEFLECTORS & SPARK ARRESTERS	
Model 60000, 80000, 90000, 110000	6
Model 93400	6
Model 90000, 10A000, 110000, Model 99700	7
Model 100000, 120000, Model 133400	8
Model 130000	9
Model 170000, 190000	10
Model 190000	11
Model 220000, 250000	12
Model 230000, 240000, 320000	13
Model 280000	14
Model 28AH00, 28CH00, 31G700,	15
Model 28N700	15
Model 28P700, 28Q700, 311700, 312700	16
Model 400000, 420000	17
Vanguard™ Model 85400, 115400, 117400, 118400, 138400, 185400, 235400, 245400	18
Vanguard™ Model 290000, 300000, 350000	19
Vanguard™ Model 290000, 300000, 350000	20
Vanguard™ Model 290000, 300000, 350000	21
Vanguard™ Model 380400, 381400, 380700, 381700	22
Intek™ Model 110400, 111400, 120400, 121400, 123400, 124400, 126400, 127400, 128400	23
Intek™ Model 110600 through 126600	24
Intek™ Model 12A400, 12B400, 12C400, 12D400, 204400, 205400, 206400, 405700, 406700, 407700	25

FUEL

FUEL TANKS FOR REMOTE MOUNTING	26
FUEL SHUT-OFF VALVES	26
IN-LINE FUEL FILTERS	26
FUEL STRAINERS, FUEL GAUGES	27
FUEL LINES, FUEL CLAMPS	27
FUEL CANS,	28
FUEL CANS, NOZZLE, AND FUEL STABILIZERS	29

LUBRICATION

OIL	30
OIL GARD® KITS, EXTENDED OIL FILL KITS	31
DIPSTICKS, VALVE COVER OIL FILL	31
OIL MINDERS, OIL FILTER ADAPTER	32
REMOTE MOUNTING OIL FILTER KITS	32
OIL PRESSURE SWITCH	33
OIL DRAIN PLUGS & FITTINGS	33
GREASE & HAND CLEANERS	34
LUBRICANTS AND CLEANERS	35

STARTERS

12 AND 120 VOLT ELECTRIC STARTER KITS	36
230 VOLT ELECTRIC STARTER KITS	37
IGNITION SWITCHES	37
STARTER PANELS, STARTER SOLENOID	38
REWIND STARTER GUARDS & HANDLE	38
ROPE GUIDE, SPARK PLUG SHIELD	39
DEBRIS GUARDS	39

MISCELLANEOUS

BATTERIES AND BATTERY ACCESSORIES	40
STUB SHAFT KITS, DIGITAL TACHOMETER	41
AMMETER & HOUR METER	41
MAINTENANCE MINDER, GEAR BOXES	42
ADAPTER PLATE & SPACER KIT, SPARK PLUGS	43
TIRE SEALANT AND PUMP KIT	43

GENERATOR ACCESSORIES

STORAGE KITS, WHEEL KITS, FUEL GAUGES	44
CABLES	44
WEATHERGUARD KIT, TRANSFER SWITCH	45
GENERATOR MANUAL	45

PRESSURE WASHER ACCESSORIES

WASHES, DEGREASER, BRUSHES, WAND, HOSES	46
O-RING MAINTENANCE	46
EXTENSION, BRUSH, QUICK CONNECT, ADAPTERS	47
PUMP SAVER	47
QUICK CONNECT, CLEANING KIT, MANUAL	48

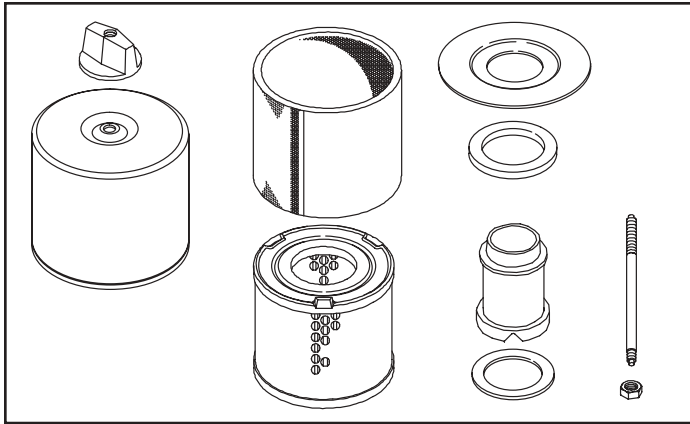
3 L/C ENGINE OPTIONS

ELECTRICAL CONNECTORS, FAN MOTOR KIT	49
FUEL FILTER	49
STARTER RELAY, TACHOMETER AND HOURMETER	50
TRANSDUCER, TACHOMETER ADAPTER	50
RESERVE TANK	50
3 CYLINDER VANGUARD™ LIQUID COOLED	51

NOTES

- CAUTION:** • Outlets on muffler deflectors must not point towards fuel tank, carburetor or air cleaner.
- Spark arresters are U.S. Forest Service approved.
 - Muffler guards, labeled **TUV** in the illustrations, have passed European Safety Standards.
 - Where part numbers of individual fasteners are shown, they must be ordered separately.
 - See IPLs for other date codes, mounting hardware, P/Ns and specific parts replacement information.
 - Because Briggs & Stratton engines power a wide range of equipment, space limitations or interference may prevent using an accessory on an application. Check equipment for potential interference before ordering any accessory.

AIR CLEANERS



DUAL ELEMENT AIR CLEANER KITS

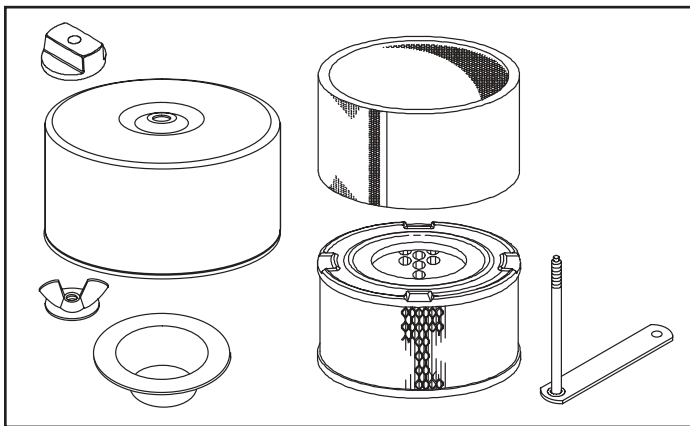
Extend service intervals. Combines proven features of automotive type paper cartridge and oil foam pre-cleaner for longer life.

Part No.

393766

Models

2 and 3 HP horizontal crankshaft engines with 2-piece flo-jet carburetors only and 2 thru 5 HP horizontal and vertical crankshaft engines equipped with vacu-jet and pulsa-jet carburetors with oil foam air cleaners only.

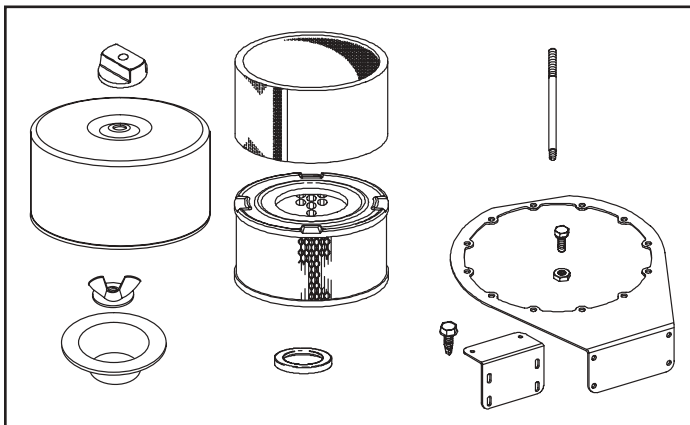


Part No.

393459

Models

7 and 8 HP horizontal crankshaft engines with 2-piece flo-jet carburetors only.



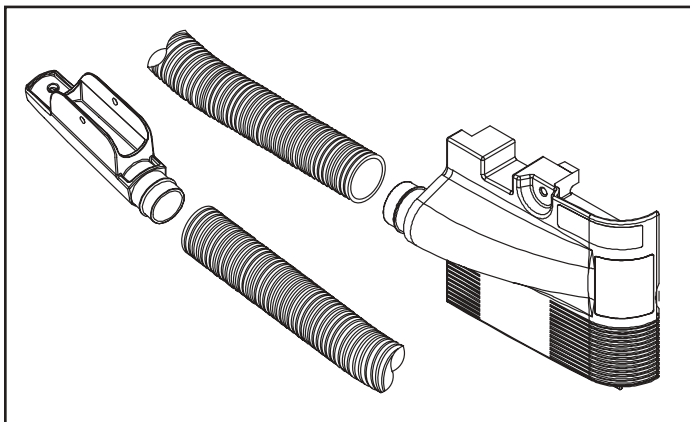
Part No.

399644

Models

10-11 HP vertical crankshaft engines with 1-piece flo-jet carburetors (pre world class carburetors only). Features larger capacity automotive type paper cartridge and Oil-Foam® pre-cleaner for extended life.

Note: Stud in this kit has a #10-32 UNF-2A thread.



REMOTE AIR INTAKE KITS

Part No.

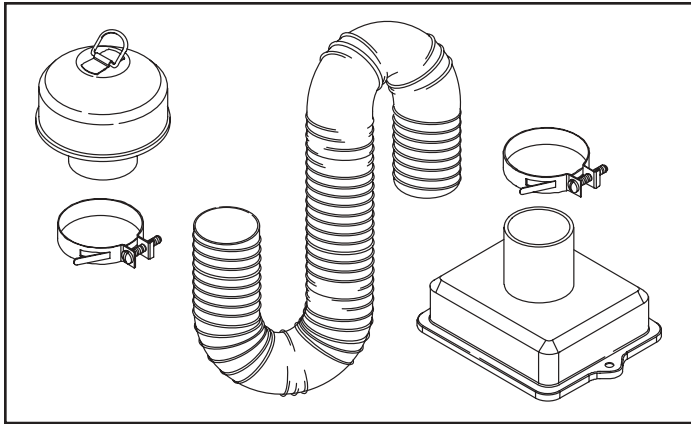
498204*

Models

Kit for Quantum® Power engines (including mounting hardware). Mount intake head at a remote location, e.g., handle bar. (Does not include air cleaner element.)

*Do not use these remote air intake kits on engines built after code date 95073100.

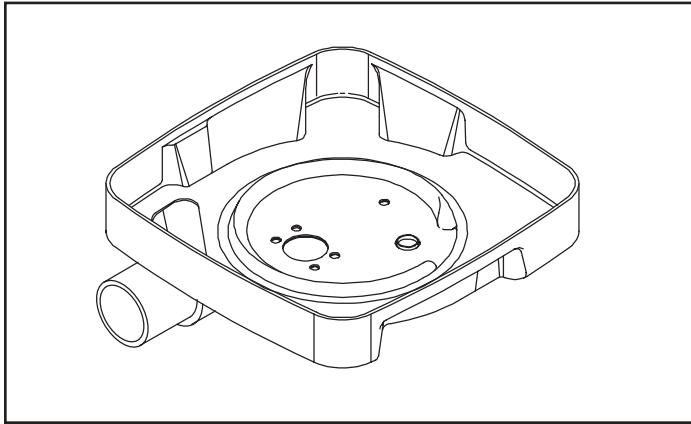
AIR CLEANERS



REMOTE AIR INTAKE KITS

Part No. **Models**
 492206 Kit for 5 hp horizontal crankshaft engines equipped with air cleaner design as shown. Mount hood at a remote location.

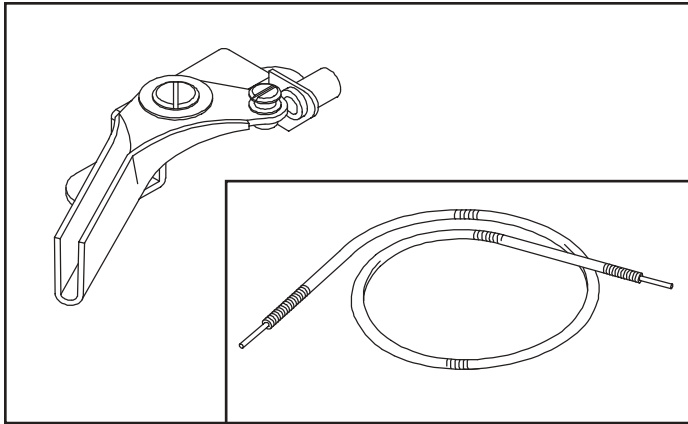
<u>Quantity</u>	<u>Part No.</u>	<u>Description</u>
1	494345	Tubing kit (3 ft/.9m hose and 2 hose clamps, part number 94489)
1	492178	Air cleaner cover
1	492179	Hood



Part No. **Models**
 690909* Air cleaner base for Model 294400, 303400 and 350400 Vanguard™ V-Twin engine remote air cleaner. (Remote parts not supplied by Briggs & Stratton.)

*Do not use these remote air intake kits on engines built after code date 95073100.

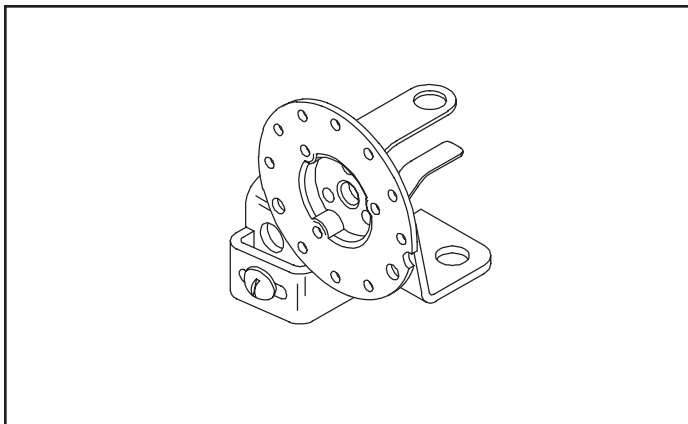
CONTROLS



THROTTLE CONTROLS

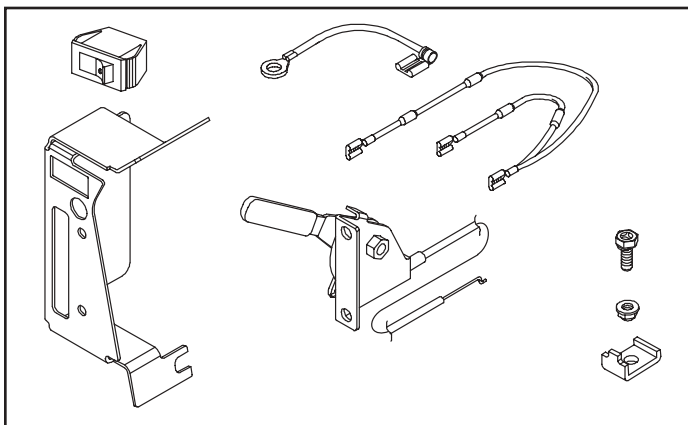
Part number 691028 speed control lever assembly. Order control wire and wire casing (inset) separately.

<u>Part No.</u>	<u>Description</u>	<u>Length</u>
691026	Control wire	78 inches
691025	Wire casing	72 inches
93907	Control wire	100 feet
93908	Wire casing	50 feet

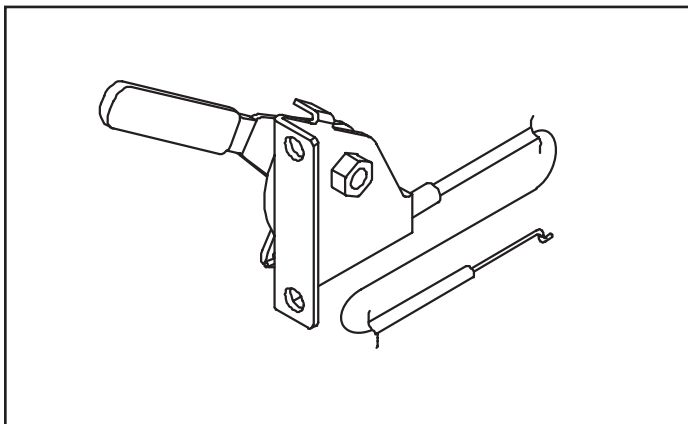


Disc type throttle control allows for remote speed operation.

<u>Part No.</u>	<u>Models (horizontal crankshaft and 2-piece flo-jet carburetor)</u>
290062	80000 and 130000 with Float Feed Carburetor
291460	170000, 190000, 200000 and 2300002
299361	220000, 240000, 250000, 300000 and 320000



<u>Part No.</u>	<u>Models</u>
494052	Throttle control for Vanguard™ V-Twin horizontal crankshaft models. Includes panel, lever, control wire, rocker switch, decal and mounting hardware.

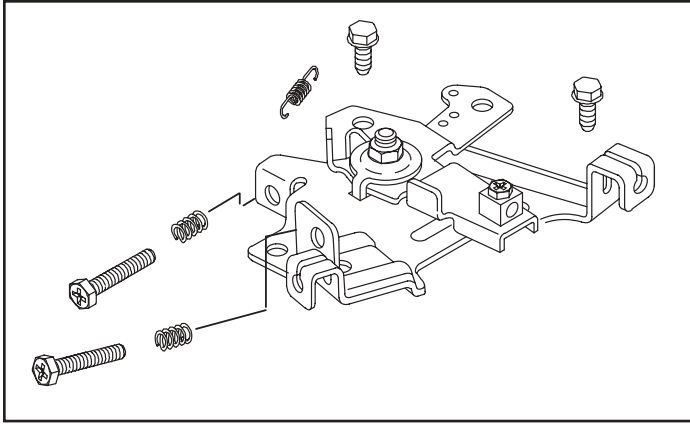


Speed control lever assembly for Vanguard™ V-Twin horizontal crankshaft models.

<u>Part No.</u>	<u>Models</u>
692541	Lever-Control (Used with control lever and/or wire with a "Z" formed end).
692105	Lever-Control (Cable wire with an "L" formed end).

CONTROLS

REMOTE THROTTLE CONTROL BRACKET



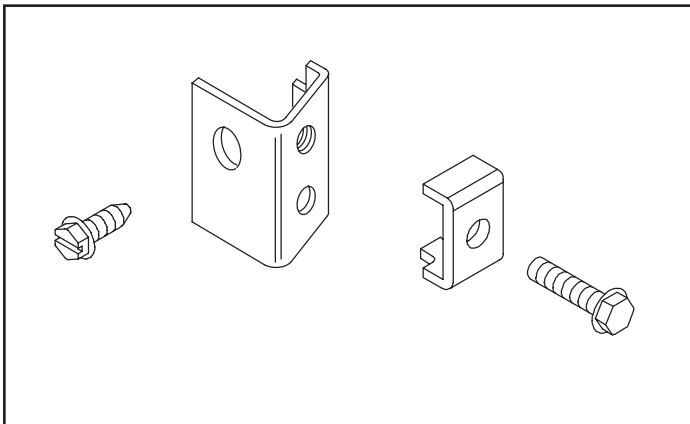
Part No.

715295

Models

Remote throttle control bracket for Vanguard™ Model 115400 (control cable not supplied by Briggs & Stratton).

REMOTE CHOKE ADAPTER



Part No.






497201

Models

Remote choke adapter kit for 170000, 190000, 220000 & 250000 Industrial Plus™ Engines. It includes a choke cable bracket, self-tapping screw, casing clamp and screw.

EXHAUST



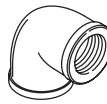


STANDARD MUFFLER DEFLECTORS

Engine Models	 Side out Deflector	 Direct out Deflector	 Louvered Deflector	 Louvered Deflector	 Side out Deflector
60000, 80000, 90000, 100000, 110000, 120000	393760	397931	None	396548	393756
85400, 110400, 111400, 115400, 117400, 120400, 121400, 123400, 138400, 185400	393757	395700	393758	None	None
*130000, 170000, 190000	393757	395700	393758	None	None
220000, 230000, 235400, 240000, 245400, 250000, 280000, 290000, 300000, 311700, 320000, 350000, 380000, 400000, 420000	393761	396903	397630	None	None

*Shallow side out deflector 494423 required with some model 130000 guards (see page 10).

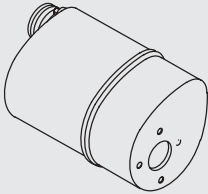

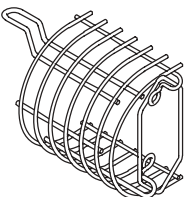

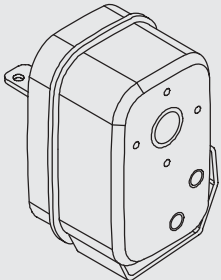
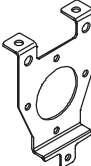

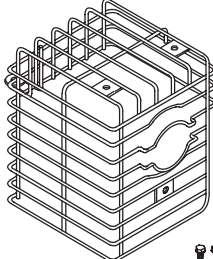

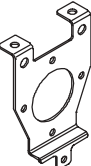

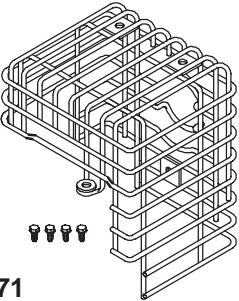





Deflectors will not fit over spark arrester.

STANDARD MUFFLER LOCKNUTS & EXHAUST ELBOWS

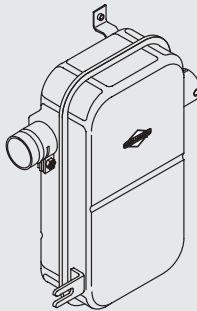

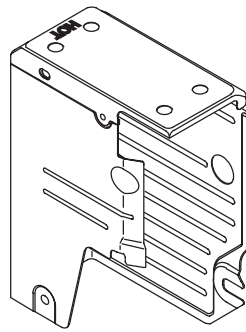



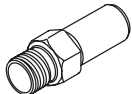
Engine Models	National Pipe Thread	 Locknut	 45°	 90°	 45° Street Elbow	 90° Street Elbow
60000, 80000, 90000, 110000	1/2" (13 mm)	91811	None	None	None	91812 (60000 only)
		691720			690291	91943
100000, 130000, 170000, 190000, 400000, 420000	3/4" (19 mm)	690453	None	692835	94089	94092
220000, 230000, 240000, 250000, 280000, 320000	1" (25 mm)	691808	91415	91296	None	690281

EXHAUST

MODELS 60000, 80000, 90000 & 110000 HORIZONTAL CRANKSHAFT (1/2" OR 13 MM NPT)

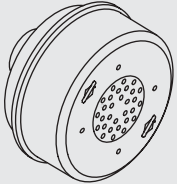
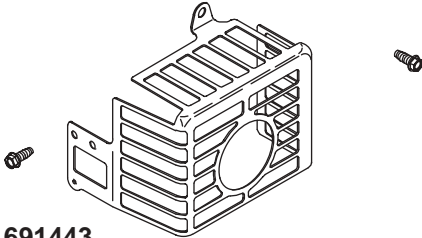
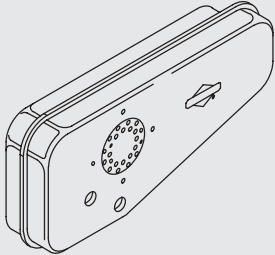
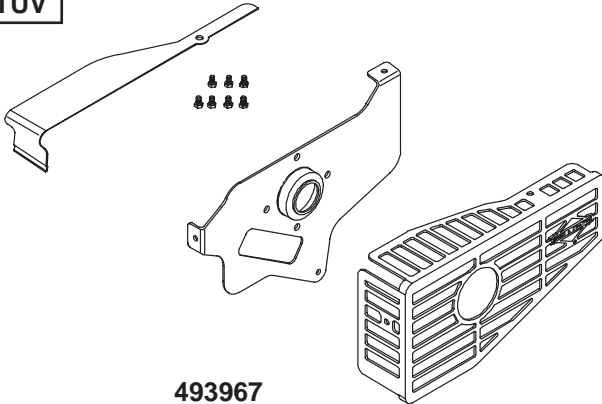


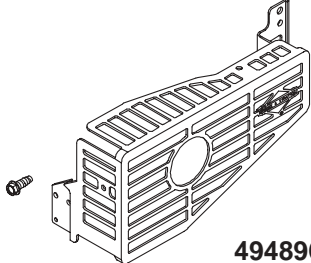

Muffler	Guard	Deflector	Spark Arrester
 <p>493288 Oval Lo-Tone</p>	<p>TUV</p>  <p>690664 691186 691194</p>  <p>690789</p>  <p>690367</p>	(see page 5)	
 <p>691360 Super Lo-Tone</p>	<p>TUV</p>   <p>398160 (model 82000 with float carburetor)</p>   <p>490571 (model 82000 with pulsa-jet carburetor)</p>    	 <p>397931 (this deflector only with these guards)</p> 	  <p>398067</p>

MODEL 93400 HORIZONTAL CRANKSHAFT

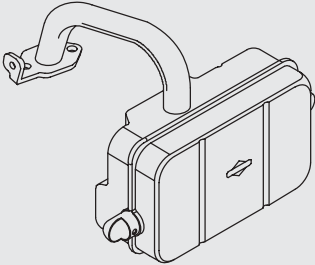
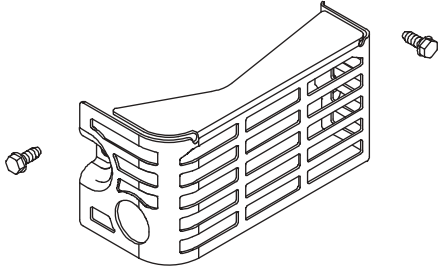
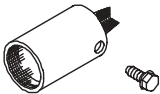
Muffler	Guard	Deflector	Spark Arrester	Adapter
 <p>692365 Super Lo-Tone</p>	<p>TUV</p>  <p>691693</p>  <p>692368</p>  <p>691685</p>	 <p>692010</p>	 <p>690813</p>	 <p>690526</p>

EXHAUST

MODELS 90000, 10A900 & 110000 VERTICAL CRANKSHAFT (1/2" OR 13 MM NPT)

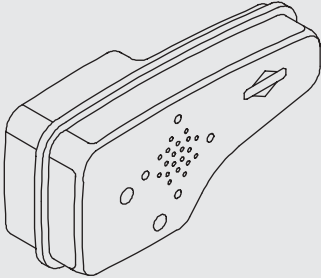
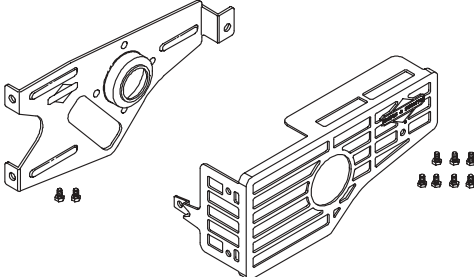
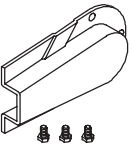

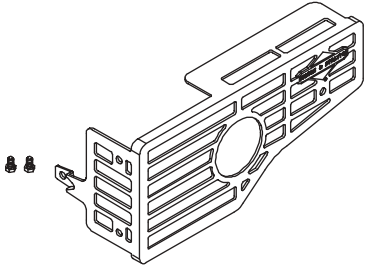
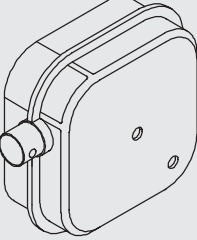
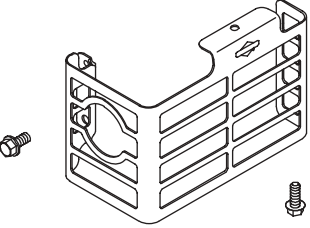
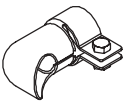
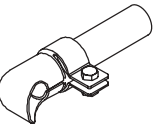
Muffler	Guard	Deflector	Spark Arrester
 <p>394569S Round Lo-Tone</p>	<p>TUV</p>  <p>691443</p>	<p>(see page 5)</p>	
 <p>692307 Super Lo-Tone</p>	<p>TUV</p>  <p>493967</p>	 <p>396548</p>	 <p>398067</p>
	<p>TUV</p>  <p>494896</p>	 <p>397931</p>	

MODEL 99700 VERTICAL CRANKSHAFT

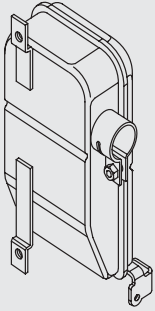
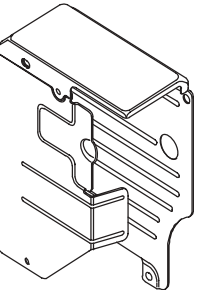




Muffler	Guard	Deflector	Spark Arrester
 <p>494717 Super Lo-Tone</p>	<p>TUV</p>  <p>494719</p>	<p>(Not available)</p>	 <p>493662</p>

EXHAUST

QUANTUM® MODELS 100000 & 120000 VERTICAL CRANKSHAFT

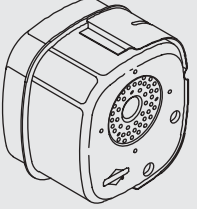
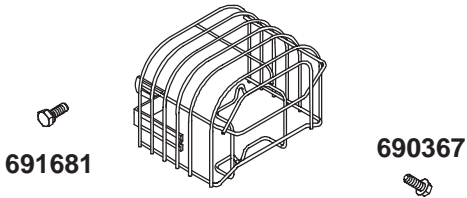
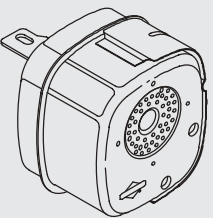
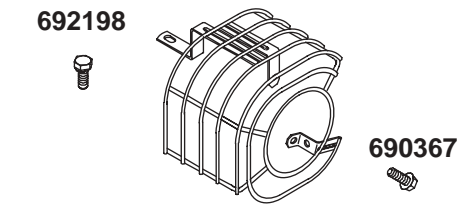
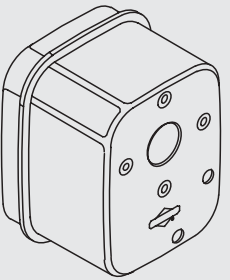
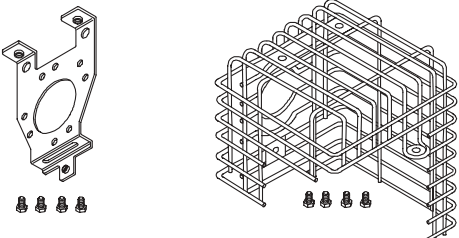


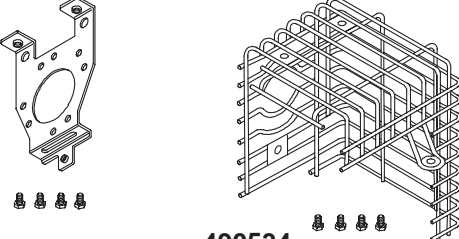
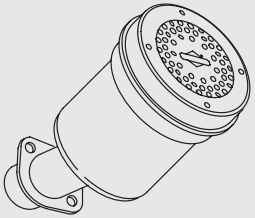
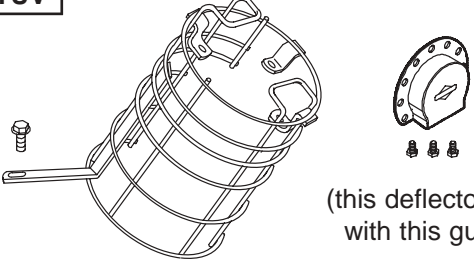

Muffler	Guard	Deflector	Spark Arrester
 <p>496106S Super Lo-Tone</p>	<p>TUV</p>  <p>494224</p>	 <p>493871</p>	 <p>398067</p>
	<p>TUV</p>  <p>499034</p>		
 <p>494343S Square Lo-Tone</p>	<p>TUV</p>  <p>691424</p>	 <p>690803</p>	 <p>692957</p>

MODEL 133400 HORIZONTAL CRANKSHAFT

Muffler	Guard	Deflector	Spark Arrester	Adapter
 <p>692006 Super Lo-Tone</p>	<p>TUV</p>  <p>691693</p> <p>690811 (497688 for Type No. 0700)</p>	 <p>692010</p>	 <p>690813</p>	 <p>691689</p> <p>690812</p>  <p>692237</p>

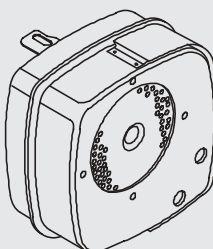
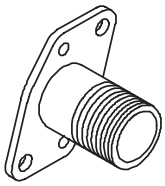
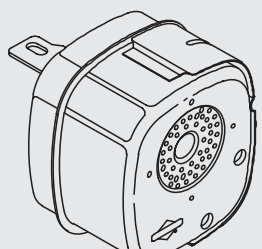
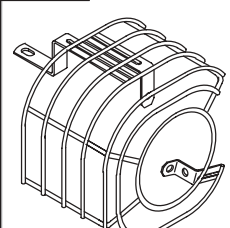
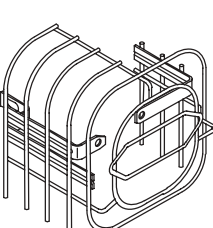

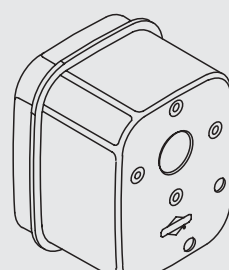
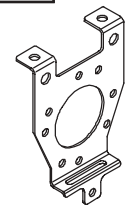
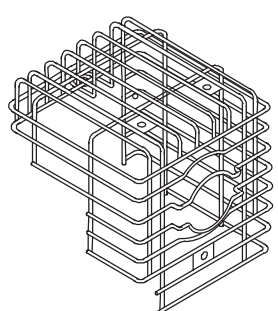

EXHAUST

MODEL 130000 HORIZONTAL & VERTICAL CRANKSHAFT (3/4" OR 19 MM NPT)

Muffler	Guard	Deflector	Spark Arrester
 <p>390918S Lo-Tone</p>	<p>TUV</p>  <p>690788 (vertical shaft)</p>	(see page 5)	
 <p>692304 Lo-Tone</p>	<p>TUV</p>  <p>690625 (model 130000 with pulsa-jet carburetor)</p>		
 <p>691969 Super Lo-Tone</p>	<p>TUV</p>  <p>398161 (model 132400 with float carburetor)</p>	<p>(these deflectors only with these guards)</p>  <p>494423 (shallow side out deflector)</p>	 <p>399541</p>
	 <p>490534 (model 130000 with pulsa-jet carburetor)</p>		
 <p>496892 Round Lo-Tone</p>	<p>TUV</p>  <p>498257</p> <p>(this deflector only with this guard)</p>	 <p>493662 (this deflector only with this guard)</p>	

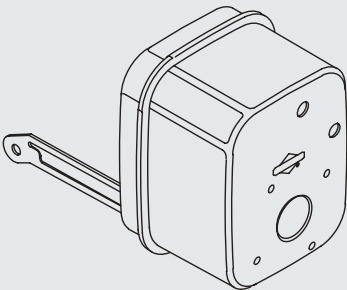
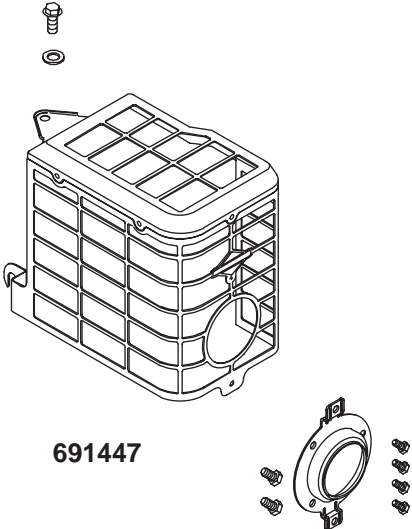


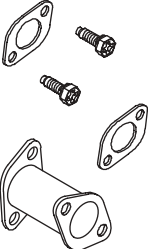
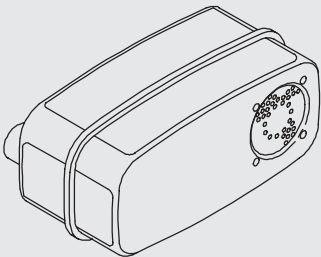
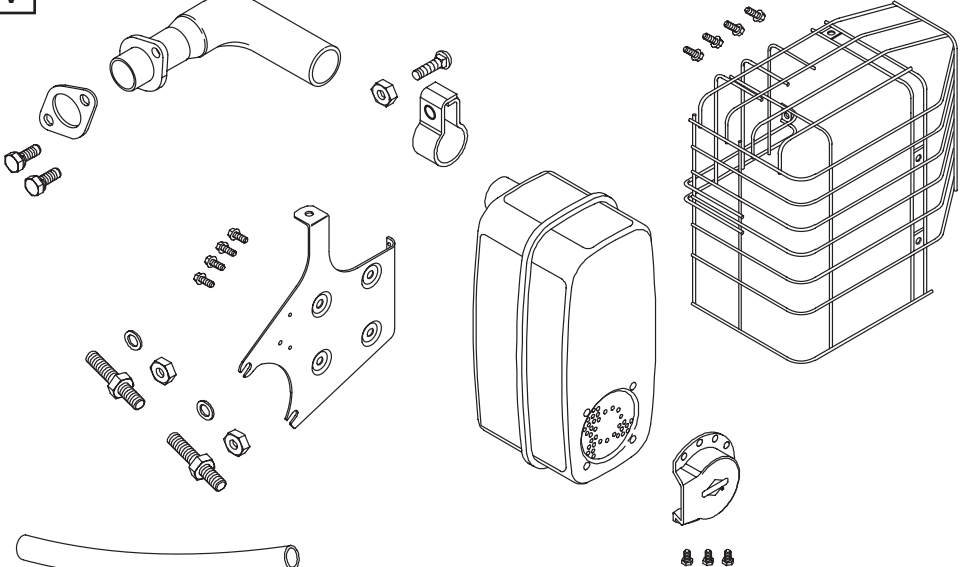
EXHAUST

MODELS 170000 & 190000 HORIZONTAL & VERTICAL CRANKSHAFT (3/4" OR 19 MM NPT)

Muffler	Guard	Deflector	Spark Arrester	Adapter
 <p>691951 Lo-Tone (remote)</p>	<p>(not available)</p>	<p>(see page 5)</p>		 <p>394279</p>
 <p>692304 Lo-Tone</p>	<p>TUV</p>  <p>691988 (horizontal shaft)</p>  <p>690858 (vertical shaft)</p>		 <p>399541</p>	
 <p>494221 Super Lo-Tone</p>	<p>TUV</p>   <p>494868 (horizontal shaft)</p>	 <p>395700 (this deflector only with this guard)</p>		<p>(not required)</p>

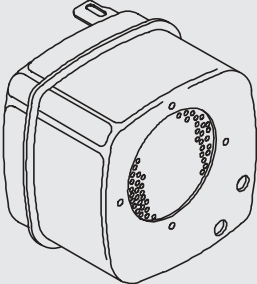
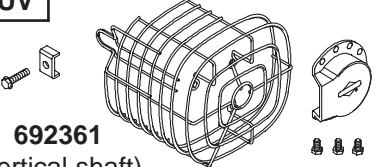


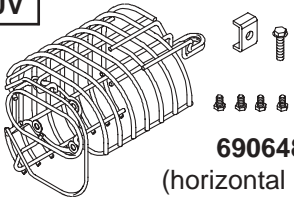
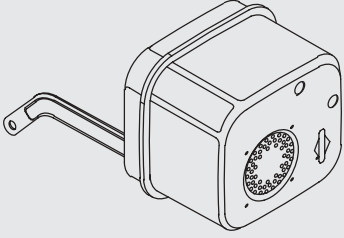
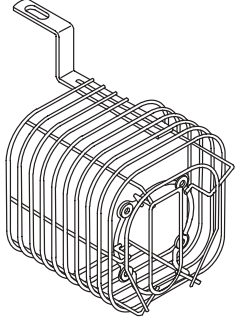

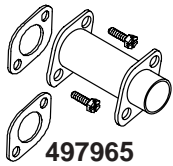
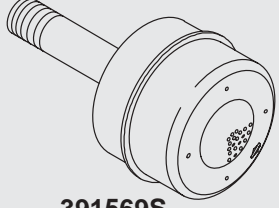
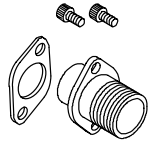
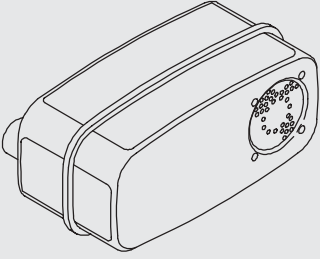
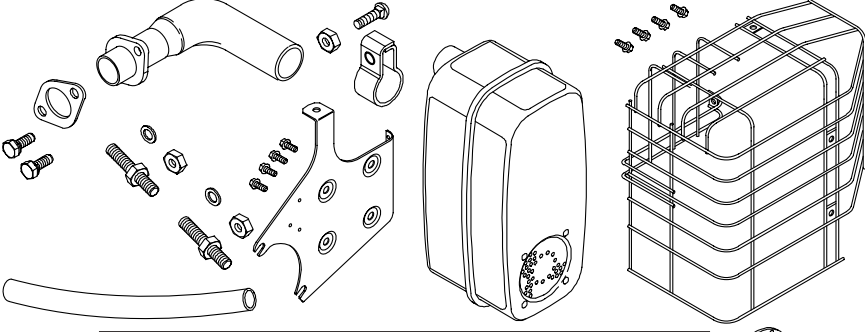

EXHAUST

MODEL 190000 HORIZONTAL CRANKSHAFT (3/4" OR 19 MM NPT)

Muffler	Guard	Deflector	Spark Arrester	Adapter
 <p>497141 Super Lo-Tone</p>	<p>TUV</p>  <p>691447</p>	 <p>395700 (this deflector only with these guards)</p>	 <p>399541</p>	 <p>497140</p>
 <p>498984 Super Lo-Tone</p>	<p>TUV</p>  <p>494500 Super Lo-Tone Kit (horizontal shaft – includes special RAF reduced after fire muffler, guard and all mounting hardware – this 393761 deflector only with this guard)</p>			

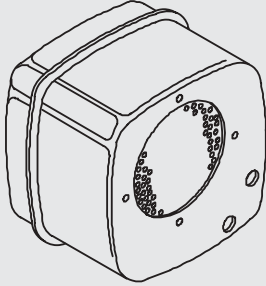
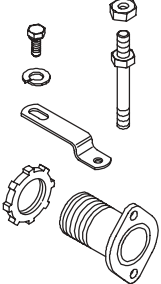
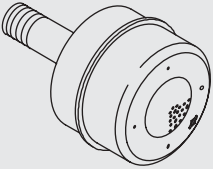
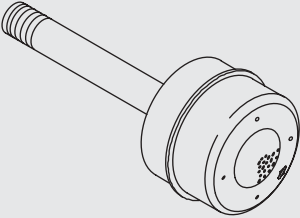

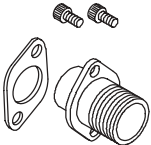
EXHAUST

MODELS 220000 & 250000 HORIZONTAL & VERTICAL CRANKSHAFT (1" OR 25 MM NPT)

Muffler	Guard	Deflector	Spark Arrester	Adapter
 <p>691874 Square Lo-Tone</p>	<p>TUV</p>  <p>692361 (vertical shaft)</p>	 <p>393761 (this deflector only with these guards)</p>	 <p>392390</p>	<p>(not required)</p>
	<p>TUV</p>  <p>690648 (horizontal shaft)</p>			
 <p>497470 Super Lo-Tone</p>	<p>TUV</p>  <p>691404</p>	<p>(see page 5)</p>	 <p>497469</p>	 <p>497965</p>
 <p>391569S Standard (8" Length)</p>	<p>(not available)</p>		 <p>392700</p>	
 <p>498984S Super Lo-Tone</p>	<p>TUV</p>  <p>494501 Super Lo-Tone Kit (horizontal shaft – includes special RAF reduced after fire muffler, guard and all mounting hardware – this 393761 deflector only with this guard)</p>			

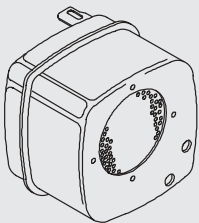
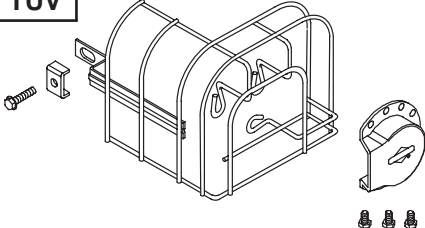

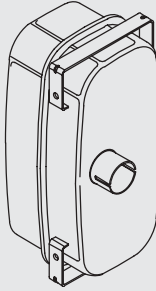

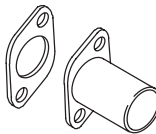
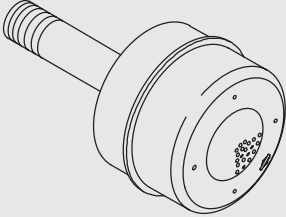
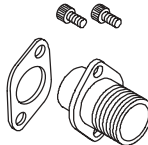
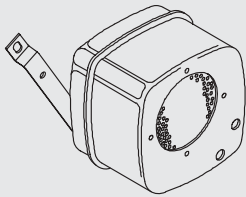

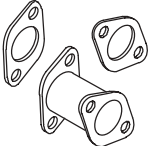

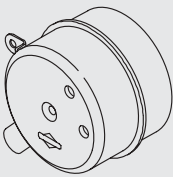
EXHAUST

MODELS 230000, 240000 & 320000 (CAST IRON) HORIZONTAL CRANKSHAFT (1" OR 25 MM NPT)

Muffler	Guard	Deflector	Spark Arrester	Adapter
 <p>399635 Square Lo-Tone (remote)</p>				 <p>394584</p>
 <p>299477S Standard (7" Length)</p>  <p>393232 Standard (11" Length)</p>	<p>(not available)</p>	<p>(see page 5)</p>	 <p>392390</p>	 <p>392700</p>

EXHAUST

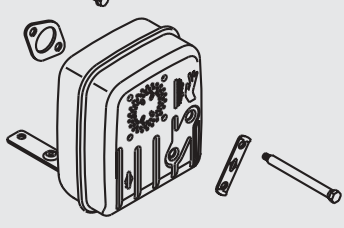


MODEL 280000 L-HEAD VERTICAL CRANKSHAFT (1" OR 25 MM NPT)

Muffler	Guard	Deflector	Spark Arrester	Adapter	
 <p>691874 Square Lo-Tone</p>	<p>TUV</p>  <p>692361</p>	 <p>393761 (this deflector only with this guard)</p>		(not required)	
 <p>690850 Super Lo-Tone</p>	(not available)	(see page 5)	(not available)	 <p>690363</p>  <p>496750</p>	
 <p>391569S Standard (8" Length)</p>				 <p>392700</p>	
 <p>496022S Super Lo-Tone</p>				 <p>690363</p>  <p>495864</p>	
 <p>495805S</p>				(not available)	(not available)
 <p>495882 Super Lo-Tone</p>					

EXHAUST

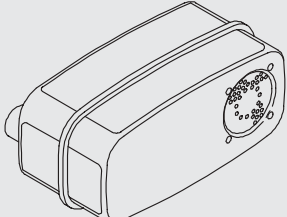


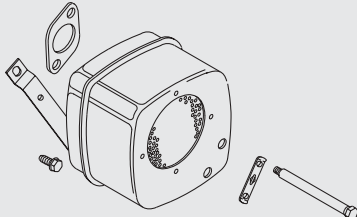


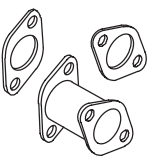
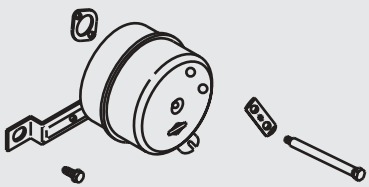
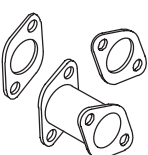
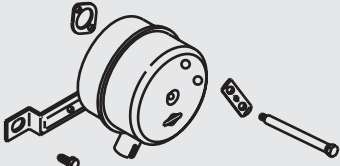
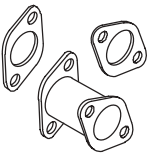
NEW

MODELS 28AH00, 28CH00, 31G700 OHV VERTICAL CRANKSHAFT

Muffler	Guard	Muffler Bracket	Deflector	Spark Arrester	Adapter
 <p>697349</p>	(not available)	(not available)	 <p>393761</p>	(not available)	 <p>690363 397346</p>

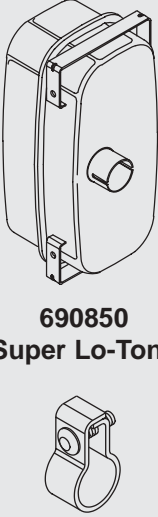

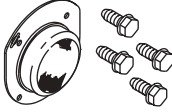

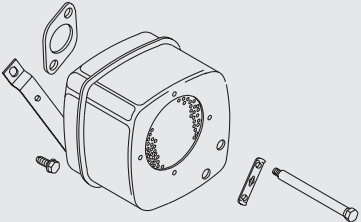

NEW

MODEL 28N700 OHV, VERTICAL CRANKSHAFT

Muffler	Guard	Muffler Bracket	Deflector	Spark Arrester	Adapter
 <p>498984S</p>	(not available)	(not available)	 <p>393761</p>	 <p>392390</p>	(not available)
 <p>496022S</p>	(not available)	(not available)	 <p>393761</p>	 <p>392390</p>	 <p>397346</p>
 <p>495882</p>	(not available)	(not available)	(not available)	(not available)	 <p>397346</p>
 <p>495805S</p>	(not available)	(not available)	(not available)	(not available)	 <p>397346</p>

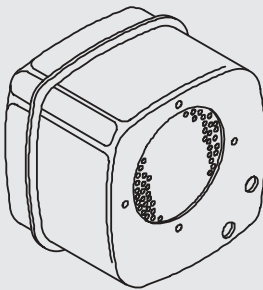
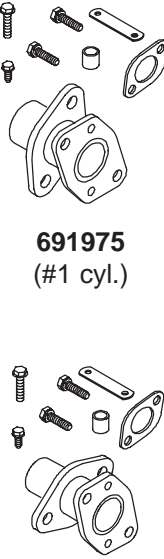
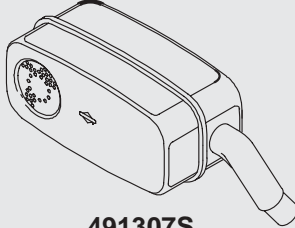
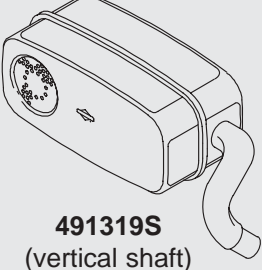
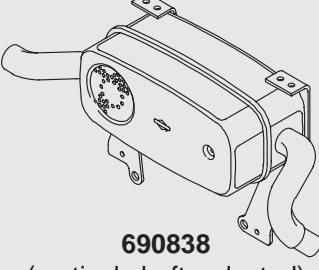

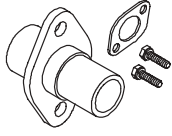
EXHAUST

MODELS 28P700, 28Q700, 311700, 312700 OHV VERTICAL CRANKSHAFT (1" OR 25 MM NPT)

Muffler	Guard	Muffler Bracket	Deflector	Spark Arrester	Adapter
 <p>690850 Super Lo-Tone</p> <p>690853</p>	<p>(not available)</p>	 <p>691204</p> <p>94831</p> <p>690297</p> <p>94847</p> <p>691205</p>	<p>(see page 5)</p>	 <p>392390</p>	 <p>690363</p> <p>496750</p>
 <p>496022S</p>	<p>(not available)</p>	<p>(not available)</p>	<p>(see page 5)</p>	<p>(not available)</p>	 <p>690363</p> <p>697346</p>

EXHAUST

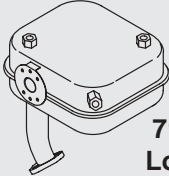
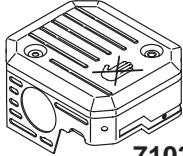

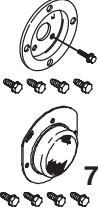
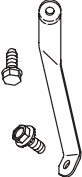
MODELS 400000 & 420000 VERTICAL & HORIZONTAL CRANKSHAFT (3/4" OR 19 MM NPT)

Muffler	Guard	Deflector	Spark Arrester	Adapter
 <p>399635 Square Lo-Tone (remote)</p>				 <p>691975 (#1 cyl.)</p> <p>691365 (#2 cyl.)</p>
 <p>491307S (horizontal shaft)</p>  <p>491319S (vertical shaft)</p>  <p>690838 (vertical shaft – ducted) Super Lo-Tones</p>	<p>(not available)</p>	<p>(see page 5)</p>	 <p>392390</p>	 <p>691970 (2 required)</p>


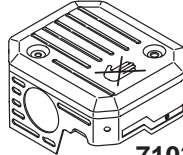


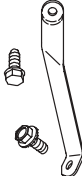
EXHAUST

VANGUARD™ MODELS (Single Cylinder) HORIZONTAL CRANKSHAFT

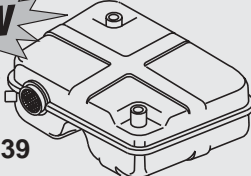
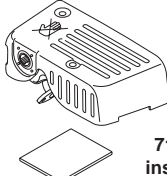
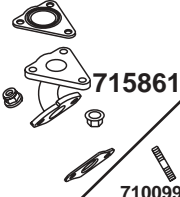
Note: Muffler brackets are for optional use on high vibration applications.

MODEL 85400	Muffler	Guard	Deflector	Spark Arrester	Bracket
	 <p>715487 Lo-Tone</p>	 <p>710074 710332</p>	 <p>715230 (Also see page 6)</p>	 <p>715491</p>	 <p>715287</p>


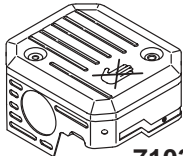

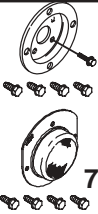
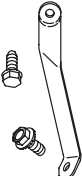
MODELS 115400 & 117400

Muffler	Guard	Deflector	Spark Arrester	Bracket
 <p>715487 Lo-Tone</p>	 <p>710074 710332</p>	 <p>715230 (Also see page 6)</p>	 <p>715491</p>	 <p>715287</p>


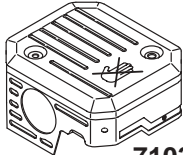


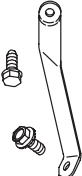
MODELS 118400

Muffler	Guard	Deflector	Spark Arrester	ADAPTER
 <p>711239</p>	 <p>710074 711241 711243 insulator</p>	(not available)	(not available)	 <p>715861 710099</p>

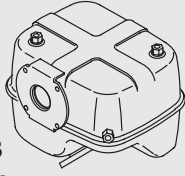
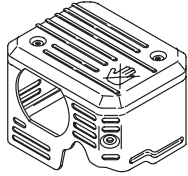

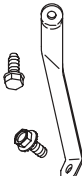
MODEL 138400

Muffler	Guard	Deflector	Spark Arrester	Bracket
 <p>715487 Lo-Tone</p>	 <p>710074 710332</p>	 <p>715230 (Also see page 6)</p>	 <p>715491</p>	 <p>715287</p>

MODEL 185400

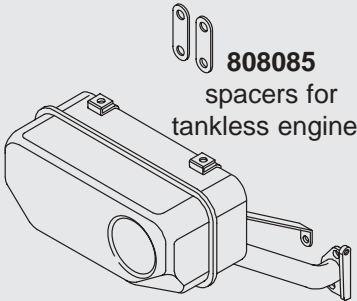
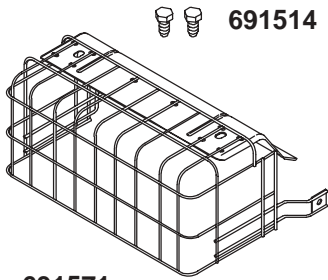

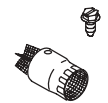
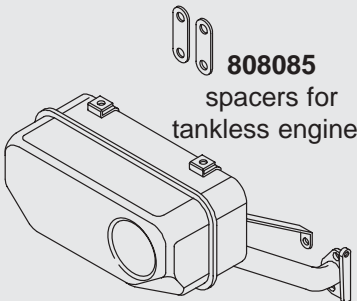
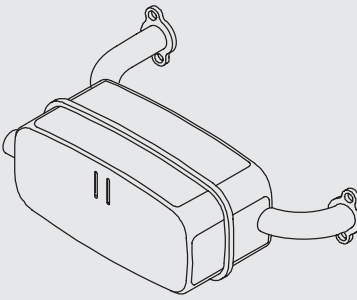

Muffler	Guard	Deflector	Spark Arrester	Bracket
 <p>715487 Lo-Tone</p>	 <p>710074 710332</p>	 <p>715230 (Also see page 6)</p>	 <p>715491</p>	 <p>715287</p>

MODELS 235400 & 245400

Muffler	Guard	Deflector	Spark Arrester	Bracket
 <p>715753 Lo-Tone</p>	 <p>710074 710586</p>	(not available)	 <p>392390</p>	 <p>715422</p>

EXHAUST

VANGUARD™ MODELS 290000, 300000 & 350000 HORIZONTAL CRANKSHAFT

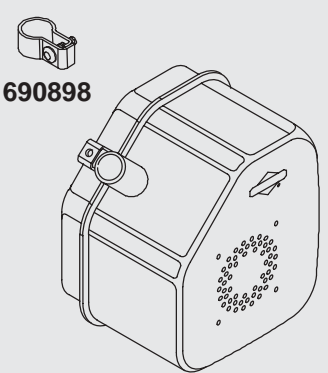
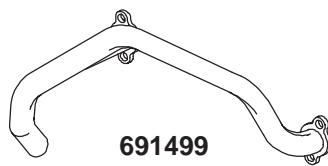
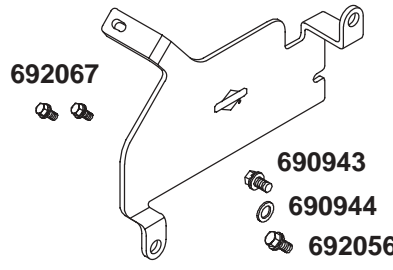
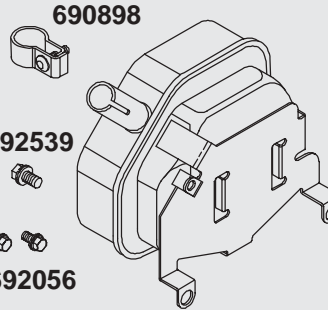
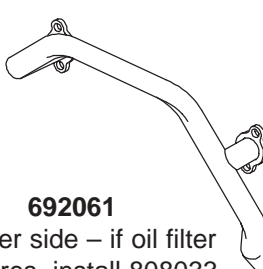
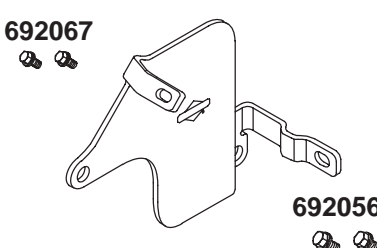

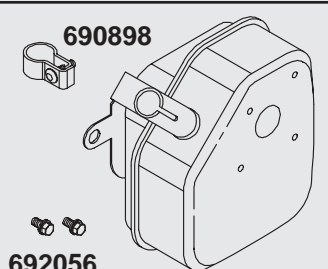

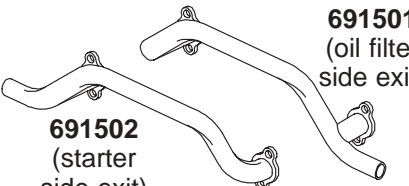
Muffler	Guard	Heat Shield	Deflector	Spark Arrester
 <p>808085 spacers for tankless engines</p> <p>690906 (cyl #1 side outlet, starter motor side)</p>	<p>TUV</p>  <p>691514</p> <p>691571</p> <p>692067</p>	(not available)	 <p>495518</p>	 <p>808361</p>
 <p>808085 spacers for tankless engines</p> <p>691562 (cyl #2 side outlet, oil filter side)</p>	(not available)			
 <p>690931 (cyl #1 side outlet, starter motor side)</p>	(not available)		 <p>808393</p>	(not available)

EXHAUST

VANGUARD™ MODELS 290000, 300000 & 350000 HORIZONTAL & VERTICAL CRANKSHAFT

Note: Manifolds on this page require (2) 691613 gaskets and (4) 691902 mounting screws.

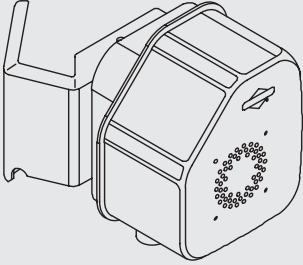
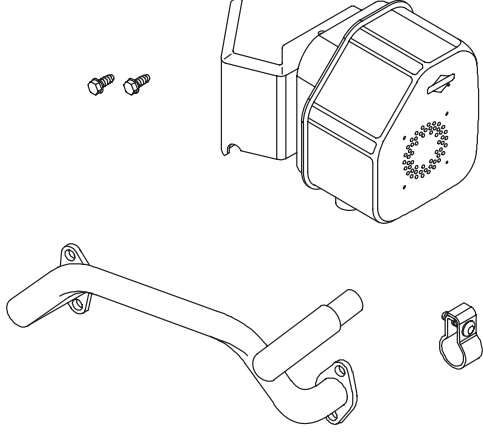

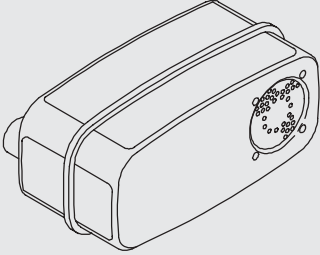
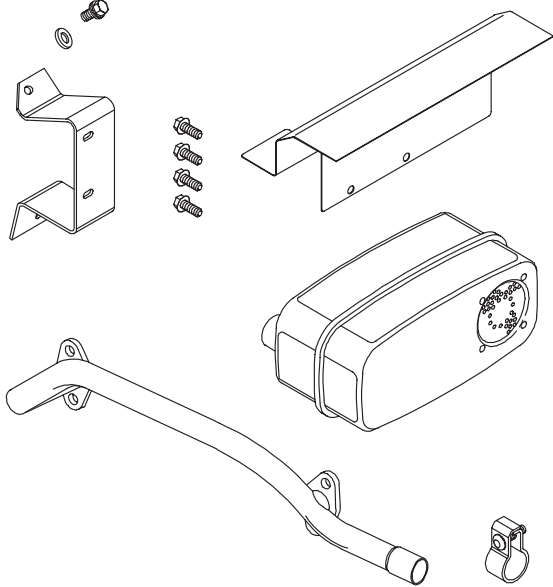
No guards are available.

Muffler	Manifold	Muffler Bracket	Spark Arrester
 <p>690898</p> <p>692099</p>	 <p>691499 (starter motor side – cannot be installed on engine equipped with starter motor because of interference)</p>	 <p>692067</p> <p>690943</p> <p>690944</p> <p>692056</p> <p>690756</p>	<p>Deflector (see page 5)</p>
 <p>690898</p> <p>692539</p> <p>692056</p> <p>807741 (do not use on models 351400 or 351700)</p>	 <p>692061 (oil filter side – if oil filter interferes, install 808033 oil filter adapter kit)</p>	 <p>692067</p> <p>692056</p> <p>691513 (oil filter side)</p>	 <p>392390</p>
 <p>690898</p> <p>692056</p> <p>807742 (do not use on models 351400 or 351700)</p>	 <p>692061 (oil filter side – if oil filter interferes, install 808033 oil filter adapter kit)</p>	<p>(integral to muffler)</p>	
<p>OEM supplied</p>	 <p>691501 (oil filter side exit)</p> <p>691502 (starter side exit)</p>	<p>(not available)</p>	

EXHAUST

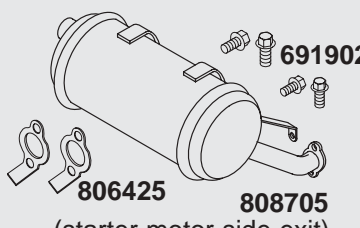
VANGUARD™ MODELS 290000, 300000 & 350000 HORIZONTAL & VERTICAL CRANKSHAFT

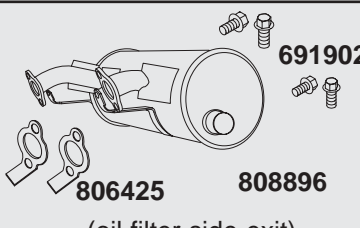
Note: Manifolds on this page require (2) 691613 gaskets and (4) 691902 mounting screws.

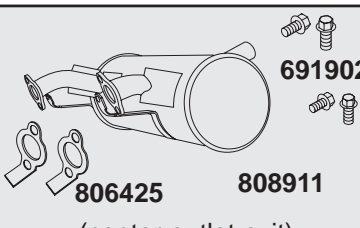
Muffler	Kits	Deflector	Spark Arrester
 <p>807953 Super Lo-Tone</p>	 <p>807969 Super Lo-Tone Kit (vertical shaft – oil filter side only)</p>	<p>(see page 5)</p>	 <p>392390</p>
 <p>498984S Super Lo-Tone</p>	 <p>807752 Super Lo-Tone Kit (horizontal and vertical shaft – oil filter side only)</p>		


EXHAUST

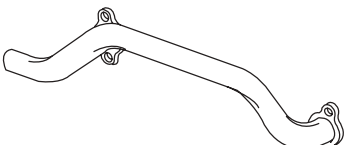
VANGUARD™ MODELS 380400 & 381400 HORIZONTAL CRANKSHAFT

Muffler	Guard	Deflector	Spark Arrester	Bracket
 <p>691902 806425 808705 (starter motor side exit)</p>	(not available)	(not available)	(not available)	Intregal to Muffler

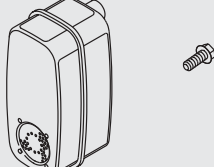

Muffler	Guard	Deflector	Spark Arrester	Bracket
 <p>691902 806425 808896 (oil filter side exit)</p>	(not available)	(not available)	(not available)	Intregal to Muffler

Muffler	Guard	Deflector	Spark Arrester	Bracket
 <p>691902 806425 808911 (center outlet exit)</p>	(not available)	(not available)	(not available)	Intregal to Muffler

Muffler	Manifold	Deflector	Spark Arrester	Bracket
OEM supplied	 <p>808909 (starter motor side exit)</p>	(not available)	(not available)	(not available)

Muffler	Manifold	Deflector	Spark Arrester	Bracket
OEM supplied	 <p>808908 (oil filter side exit)</p>	(not available)	(not available)	(not available)

VANGUARD™ MODELS 380700 & 381700 VERTICAL CRANKSHAFT

Muffler	Manifold	Deflector	Spark Arrester	Bracket
 <p>498984S</p>	 <p>808916</p>	(not available)	(not available)	(not available)

EXHAUST

INTEK™ MODELS 110400, 111400, 121400, 123400 (SINGLE CYLINDER) HORIZONTAL CRANKSHAFT

Muffler	Guard	Deflector	Spark Arrester	Adapter

INTEK™ MODELS 121400, 123400, 124400, 126400, 127400, 128400 (SINGLE CYLINDER) HORIZONTAL CRANKSHAFT

Muffler	Guard	Deflector	Spark Arrester	Adapter

INTEK™ MODELS 110400, 111400, 120400, 121400 after date code 98071900, & 123400 (SINGLE CYLINDER) HORIZONTAL CRANKSHAFT

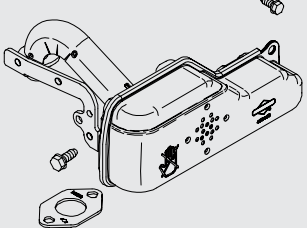
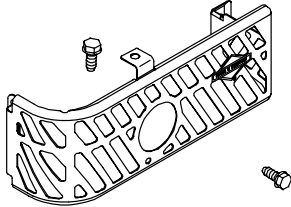
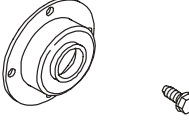


Muffler	Guard	Deflector	Strap-Muffler	Bracket

INTEK™ MODELS 121400 (SINGLE CYLINDER) HORIZONTAL CRANKSHAFT (before date code 98072000)

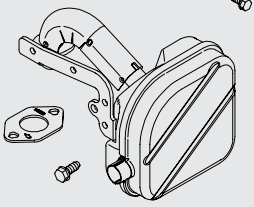
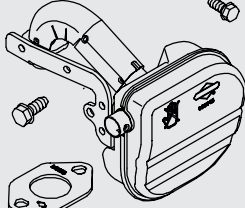
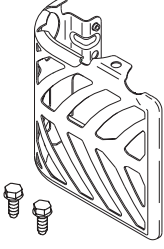
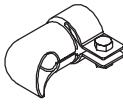
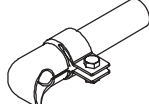
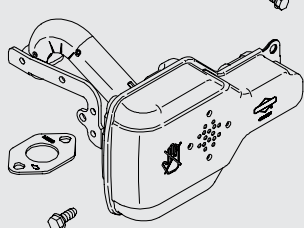
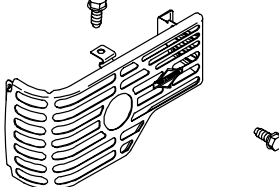


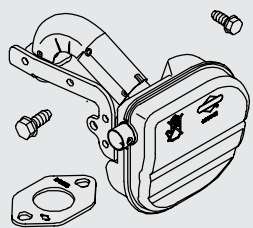
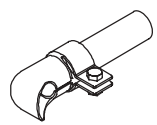
Muffler	Guard	Deflector	Spark Arrester	Adapter
	(not available)		(not available)	

EXHAUST

INTEK™ MODELS 110600 THROUGH 126600 (SINGLE CYLINDER) VERTICAL CRANKSHAFT

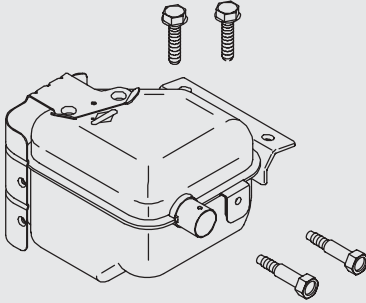
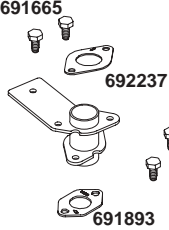
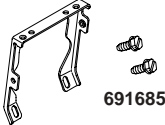
Muffler	Guard	Deflector	Spark Arrester	Bracket
 <p>694248 Muffler (Used After Code Date 99030700). Note: 692275 Muffler (Used Before Code Date 99030800).</p>	 <p>691466 Muffler Guard (Used After Code Date 99030700). Note: 692984 Muffler Guard (Used Before Code Date 99030800).</p>	 <p>497682</p>  <p>690803</p>	 <p>398067</p>	(not available)

INTEK™ MODELS 111600 & 121600 VERTICAL CRANKSHAFT

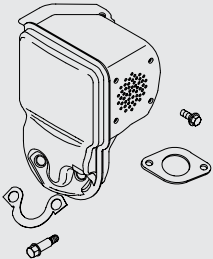
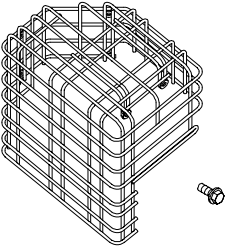
Muffler	Guard	Deflector	Spark Arrester	Bracket
 <p>692654</p>  <p>693982</p>	 <p>695593</p>	 <p>397931</p>	 <p>692957</p>	(not available)
 <p>692276</p>	 <p>692984</p>	 <p>396548</p>  <p>497682</p>	(not available)	(not available)
 <p>694248</p>	(not available)	(not available)	 <p>692957</p>	(not available)

EXHAUST

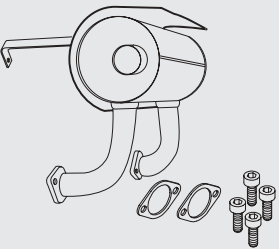
INTEK™ MODELS 12A400, 12B400, 12C400, 12D400 (SINGLE CYLINDER SNOW ENGINE) HORIZONTAL CRANKSHAFT

Muffler	Guard	Adapter	Spark Arrester	Bracket
 <p>695735</p>	(not available)	 <p>694430</p>	(not available)	 <p>695734</p>

INTEK™ MODELS 204400, 205400, 206400 (SINGLE CYLINDER) HORIZONTAL CRANKSHAFT

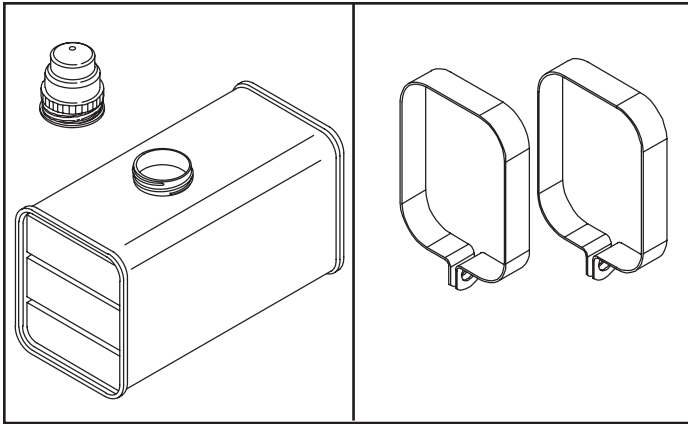
Muffler	Guard	Deflector	Spark Arrester	Bracket
 <p>695311</p>	 <p>695386</p>	(not available)	(not available)	(not available)

INTEK™ MODELS 405700, 406700, 407700 VERTICAL CRANKSHAFT

Muffler	Guard	Deflector	Spark Arrester	Bracket
 <p>692120</p>	(not available)	(not available)	(not available)	Integral to Muffler

FUEL

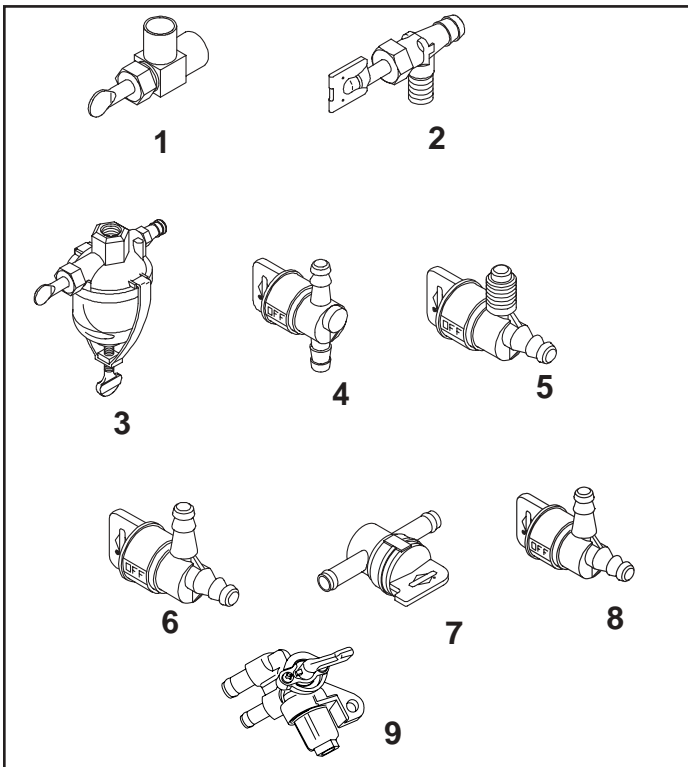
FUEL TANKS FOR REMOTE MOUNTING



<u>Fuel Tank Capacity</u>	<u>Fuel Tank and Cap</u>	<u>Mounting Straps (2 Required)</u>
4 qt. (3.8 L)	290816 (metal) or 691993 (plastic)	291367
6 qt. (5.7 L)	291488 (metal)	691937
8 qt. (7.5 L)	292415 (metal)	691937

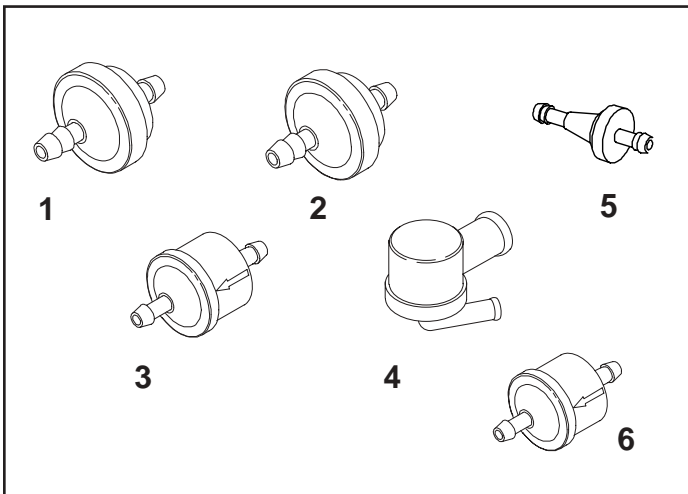
Note: See fuel shutoff valves/clamps and connectors below.

FUEL SHUT-OFF VALVES



<u>Ref. No.</u>	<u>Part No.</u>	<u>Description</u>
1	692302	Fuel tank outlet/shut-off valve
2	492649	Fuel shut-off valve
3	690612	Fuel filter/shut-off valve assembly for metal tank
4	494768	In-line fuel shut-off valve
5	399517	MAX engine fuel shut-off valve
6	494769	Quantum® Power engine fuel shut-off valve
7	692008	Fuel shut-off valve for V-Twin engines with 9 quart fuel tanks.
8	692586	Fuel shut-off valve used of select Intek™ models
9	715027	Fuel shut-off valve for 4, 5.5 & 9 HP Vanguard™

IN-LINE FUEL FILTERS



<u>Ref. No.</u>	<u>Part No.</u>	<u>Description</u>
1	298090S	150 micron (red) – for gravity feed fuel systems.
2	394358S	75 micron (white) – for engines with fuel pumps.
3	691035	60 micron – for engines with fuel pumps.
4	808116S	12 micron – for V-Twin engines with 9 quart fuel tanks.
5	694485	75 micron – fuel filter for engines with fuel pumps
6	695666 (5070)	30 micron filter – Premium fuel filter for selected engines with fuel pump

FUEL



FUEL LINE

23" (1/2" OD x 1/4" ID) Cut to Fit

296004



FUEL LINE DISPLAY PACK

Bulk 25' (1/2" OD x 1/4" ID) Cut to Fit
499742 Refill for Display Pack (25')

395051



FUEL LINE

3.5 & 5 HP Industrial Plus™
(Molded)

495218



FUEL LINE

4, 5.5 & 9 HP Vanguard™ (Tank to
Shut-off Valve) 8 mm OD x 470 mm
(18-1/2") Cut to Fit

715125



FUEL LINE

4, 5.5 & 9 HP Vanguard™
(Shut-off Valve to Tank)
4 mm OD x 220 mm (8-5/8") Cut
to Fit

715126



TYGON™ BULK FUEL LINE

695540 Fuel Line 3/32" ID, 50 ft.
695541 Fuel Line 1/8" ID, 50 ft.
695542 Fuel Line .080" ID, 50 ft.



FUEL LINE CLAMPS

691038 Black ID .460"
95162S Green ID .490"



FUEL LINE CLAMP

Use with 715125 Vanguard™
Fuel Line
ID 13.2 MM

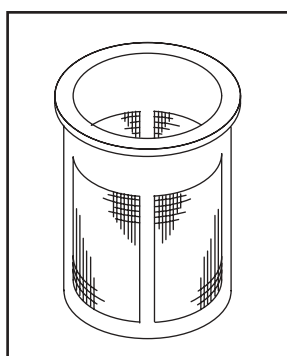
710067



FUEL LINE CLAMP

Used with 715126 Vanguard™
Fuel Line
ID 10.5 MM

710075

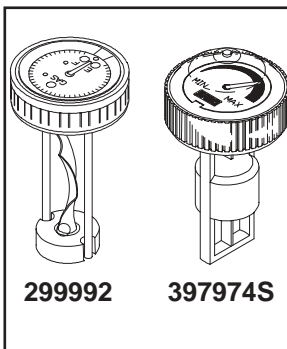


FUEL STRAINERS

Fuel strainers for the following
horizontal crankshaft engines:
*Part No. Models (horizontal
crankshaft)*

710065 85400, 115400 &
18540

691370 190000, 235400,
245400 & V-Twin
engines with 9 quart
fuel tanks.



FUEL GAUGES

Fuel gauge cap for 3.0, 3.5 and
4.0 HP vertical crankshaft
engines equipped with one
quart metal fuel tanks.

299992

Fuel gauge cap for Quantum®
and Europa™ engines.

397974S

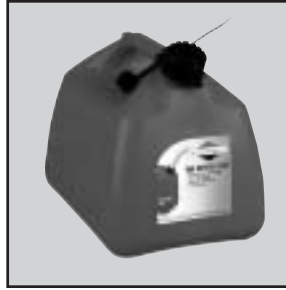
FUEL



SMART-FILL® FUEL CAN

Durable can with 2.5 gal. capacity. Spill-resistant nozzle opens only when inserted fully into tank, and shuts off automatically when tank is full.

100050
(100050A w/Display Header)



2-1/2 GALLON FUEL CAN

Made of durable plastic. Holds up to 2-1/2 gallons of fuel.

W221*



1-1/4 GALLON FUEL CAN

Made of durable plastic. Holds up to 1-1/4 gallons of fuel. Spill-resistant nozzle shuts off automatically when tank is full.

WCA-125
WCA-125P**



5 GALLON FUEL CAN

Made of durable plastic. Holds up to 5 gallons of fuel.

W521*



2-1/2 GALLON FUEL CAN

Made of durable plastic. Holds up to 2-1/2 gallons of fuel. Spill-resistant nozzle shuts off automatically when tank is full.

WCA-225
WCA-225P**



2-COMPARTMENT 1-1/2 GALLON GAS & 2-1/2 QUART OIL, FUEL CAN

Two cans in one, keep oil on one side, gas on the other side. Made of durable plastic.

W150*



5 GALLON FUEL CAN

Made of durable plastic. Holds up to 5 gallons of fuel. Spill-resistant nozzle shuts off automatically when tank is full.

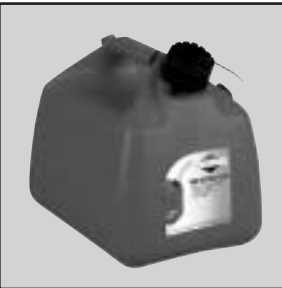
WCA-525
WCA-525P**



JERRY CAN W/SPOUT - 5 GALLON

5 gallon steel fuel can. Leak proof closure, internally treated lining to prevent rust formation.

WM521*



1-1/2 GALLON FUEL CAN

Made of durable plastic. Holds up to 1-1/2 gallons of fuel.

W121*



6 GALLON FUEL CAN

Made of durable plastic. Holds up to 6 gallons of fuel.

W611*

*Ordering information: Contact your Briggs & Stratton Central Sales and Service Distributor.

**The P suffix indicates that these containers have received a special surface treatment to significantly reduce pollution associated with gasoline loss by permeation. This technology combined with the auto-shut-off spout allows this line of container to meet the California Air Resource Board (CARB) regulations for Spill Proof Systems. (Title 13, California Code of Regulations, Chapter 9 Off-Road Vehicles and Engine Pollution Control Devices, Section 2467.2a)

FUEL



5 GALLON KEROSENE CAN

Made of durable plastic. Holds up to 5 gallons of kerosene.

W1002*



FUEL STABILIZER PLUS

Fuel Stabilizer Plus counter display – 6 bottles.

100002A



REPLACEMENT NOZZLE KIT

T235C*



FUEL STABILIZER PLUS

4.2 oz. – Treats 10 gallons of gasoline.

100002



FUEL STABILIZER

Merchandiser Display – 36 – 1 oz. Pouches/box (one pouch treats 2-1/2 gal.) Keeps fuel fresh for up to 24 months. Promotes quick starts.

Order 4127 box of 50 as refill.

100031



FUEL STABILIZER PLUS

32 oz. for Shop Use – Treats 96 gallons of gasoline.

100006

*Ordering information: Contact your Briggs & Stratton Central Sales and Service Distributor.

LUBRICATION



MOTOR OIL 2 CYCLE

3.2 oz. – Ashless oil formulation.
Leaves no residue – prevents plug
fouling & engine deposits.

100037



MOTOR OIL 4 CYCLE

20 oz. – High quality SAE 30,
SJ, SH, CF, detergent oil –
Specially formulated for higher
operating temperatures of air
cooled engines.

100005



MOTOR OIL 2 CYCLE

8 oz. – Ashless oil formulation.
Leaves no residue – prevents plug
fouling & engine deposits.

272075



MOTOR OIL 4 CYCLE

48 oz. – High quality SAE 30,
SJ, SH, CF, detergent oil –
Specially formulated for higher
operating temperatures of air
cooled engines.

100028



MOTOR OIL 2 CYCLE

16 oz. – Ashless oil formulation.
Leaves no residue – prevents plug
fouling & engine deposits.

100036



SNOW BLOWER OIL

32 oz. – high quality SAE 5W-30
detergent oil – Specially
formulated for winter use of
air-cooled engines.

100030C



MARINE OUTBOARD OIL

The 24 oz. bottle of oil meets
Briggs & Stratton's strict lubrica-
tion requirements for a SAE 30
weight oil and is the exact
amount needed to service the
Briggs & Stratton 5 hp outboard
motor.

100084

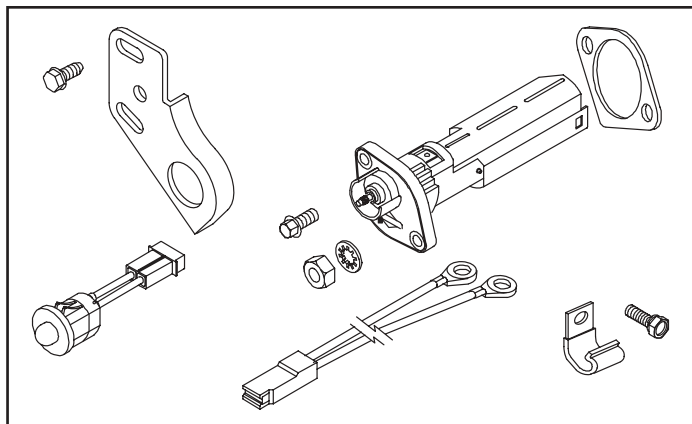


SYNTHETIC OIL

32 oz. – high quality 100%
synthetic motor oil.
SAE 5W-30

100074

LUBRICATION

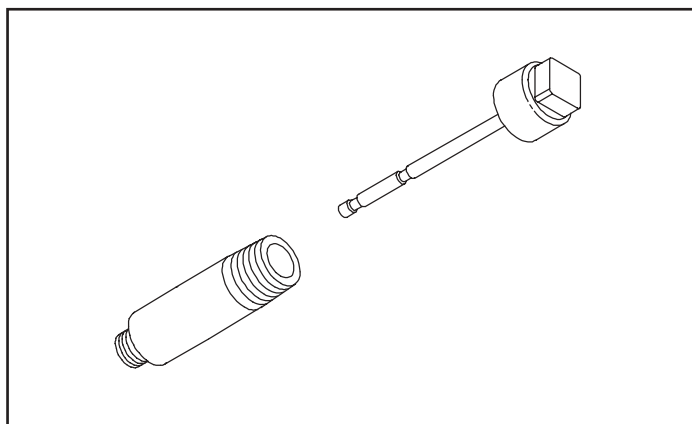


OIL GARD® KITS

Oil Gard® automatically stops the engine if the oil level is too low. It can be added to I/C® and Vanguard™ engines equipped to receive it.

<u>Kit No.</u>	<u>Models (horizontal crankshaft)</u>
398182	For 5 HP thru 11 HP equipped to receive Oil Gard®
492697	For 9 HP Vanguard™
496605	For 5 HP Industrial Plus™ Model

Note: Magnetic oil drain plug recommended with Oil Gard®



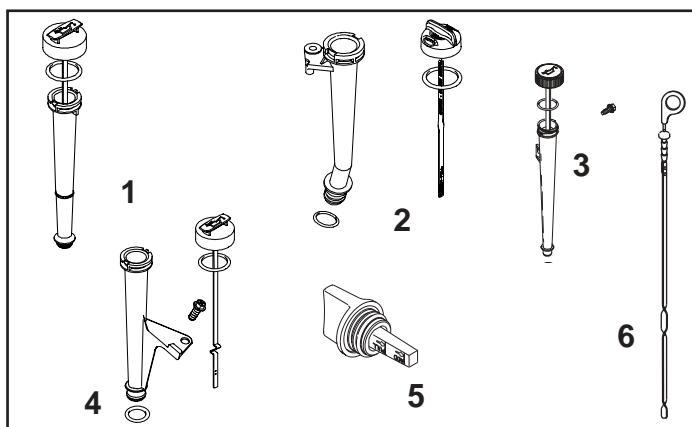
EXTENDED OIL FILL KIT

An extended oil fill pipe (2-5/8" long) and dipstick for most 2 HP thru 8 HP horizontal crankshaft models provides added convenience in filling oil and checking oil level.

<u>Kit No.</u>	<u>Description</u>
493955	Oil fill pipe and dipstick

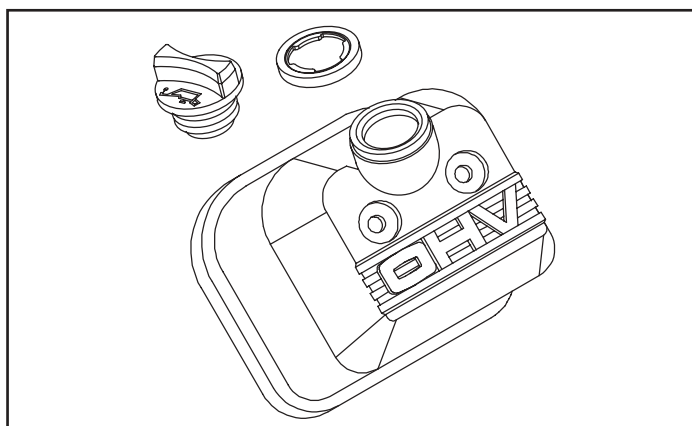
To order parts separately:

<u>Part No.</u>	<u>Description</u>
691257	Oil fill pipe
691942	Dipstick



DIPSTICKS

<u>Ref. No.</u>	<u>Part No.</u>	<u>Models</u>
1	693617	110400, 121400, 123400
2	692047	110600, 111600, 120600, 121600, 122600, 126600
3	496415	310700, 311700
4	499602	405600, 406700, 445700
5	696938	120400, 204400, 205400
6	69317S	303400, 350400, 381400 (after 98053100)

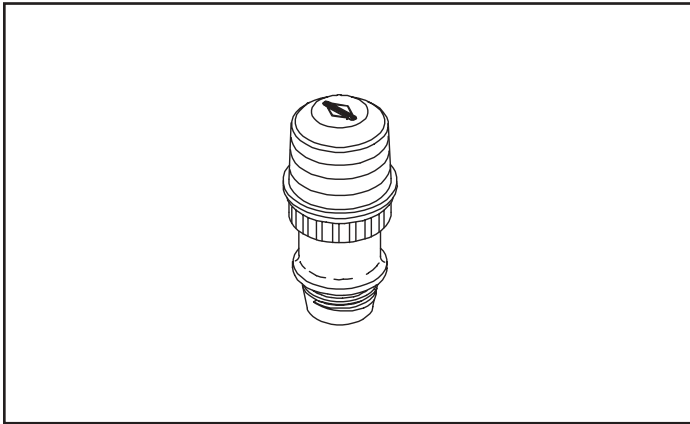


VALVE COVER OIL FILL

Valve cover oil fills are available for Vanguard™ V-Twin horizontal crankshaft engines.

<u>Part No.</u>	<u>Description</u>
690758	Valve cover oil fill, if engine is not equipped with fuel pump
690910	Valve cover oil fill, if engine is equipped with fuel pump
491832	Fill cap (before assembly, cut dip stick from cap, if equipped)

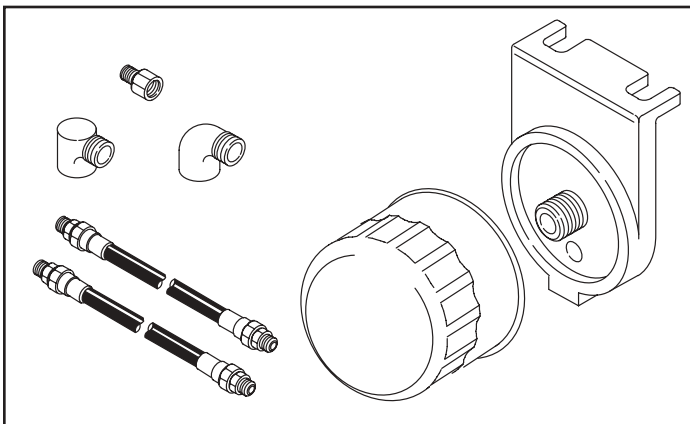
LUBRICATION



OIL MINDERS

Gives visual indication of "safe" oil level with a touch of a finger.

<u>Part No.</u>	<u>Models</u>
692939	Most 3 HP thru 12 HP vertical crankshaft engines
298858	Most 2 HP thru 8 HP horizontal crankshaft engines
298860	Most 9 HP thru 16 HP cast iron cylinder horizontal crankshaft engines



REMOTE MOUNTING OIL FILTER KITS

For Vanguard™ V-Twin engines and Opposed Twin II™ engines equipped with full pressure lubrication.

Note: Opposed Twin II™ requires adapter kit 492675.

Vanguard™ requires adapter kit 492687.

<u>Part No.</u>	<u>Length of Hoses</u>
492061	18" (48 cm)
492062	30" (76 cm)

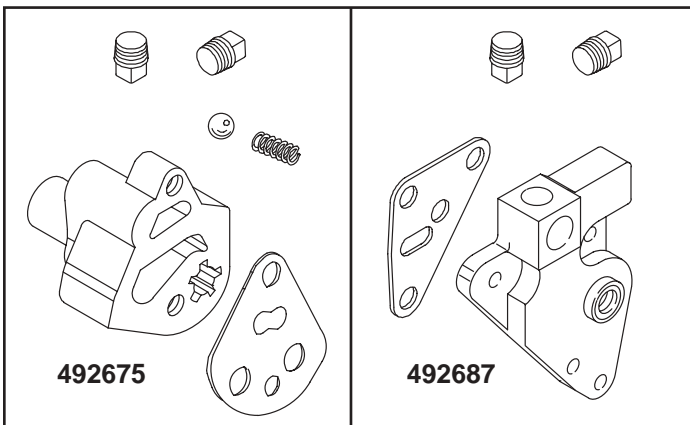
To order parts separately:

<u>Part No.</u>	<u>Description</u>
494724	(2) 18" hoses
494725	(2) 30" hoses
495244	Oil filter kit without hoses

Oil Filter Adapter Kits:

<u>Part No.</u>	<u>Models</u>
492675	Opposed Twin II™ Cylinder engines (includes spacer)
492687	Vanguard™ V-Twin engines

Note: Adapter has provision to receive oil pressure switches.

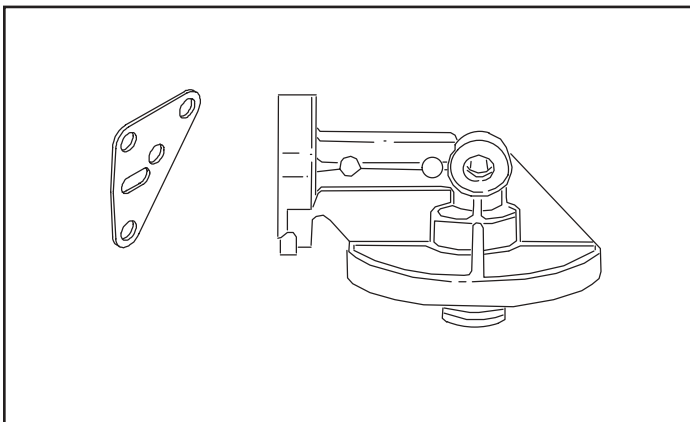


OIL FILTER ADAPTER

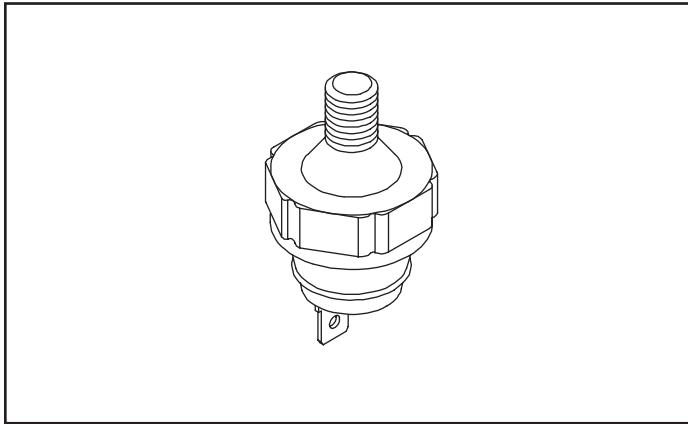
Oil filter adapter kit re-locates oil filter on Vanguard™ V-Twin horizontal crankshaft engines when muffler is mounted on oil filter side of engine (see page 20). Use mounting hardware from original adapter.

808033

Note: Adapter has provision to receive oil pressure switches.



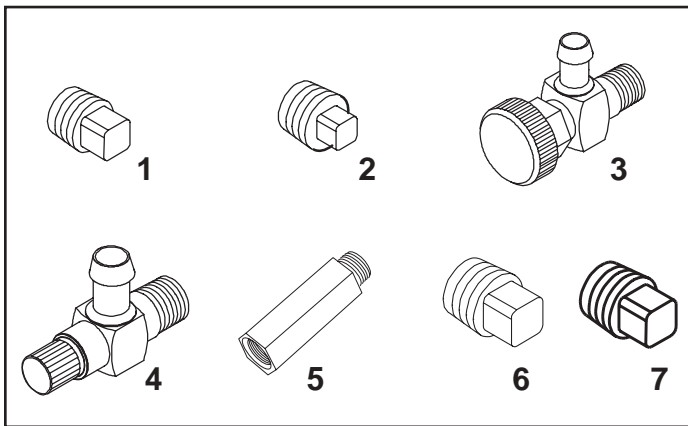
LUBRICATION



OIL PRESSURE SWITCH

Oil pressure switches activate a warning light if oil pressure drops to an unsafe level. Available for V-Twin engines and Opposed Twin II™ Cylinder engines equipped with full pressure lubrication and oil filter.

<u>Part No.</u>	<u>PSI</u>
491657S	3-5 PSI
694115	9-13 PSI
690233	2 PSI



OIL DRAIN PLUGS & FITTINGS

A magnetic oil drain plug is recommended with Oil Gard®. 1/2 turn oil drain fitting makes oil changes easier.

<u>Ref. No.</u>	<u>Part No.</u>	<u>Models (horizontal crankshaft)</u>
1	691663	5 HP
2	690289	7 HP thru 11 HP
3	492030	5 HP and under (1/4" I.D. Dia.)
4	492031	Above 5 HP (1/2" I.D. Dia.)
5	715715	Vanguard™ single cylinder oil drain extension
6	690946	Vanguard™ Twin
7	691686	Model 12 horizontal

GREASE & HAND CLEANER



GREASE GUN KIT – Simple One Handed Operation

Kit includes steel grease gun, application tube and one 3 oz. grease cartridge.

100057



HAND CLEANER

15.2 fl. oz. – Powerful cleansing agent with special conditioners and emollients to moisturize hands as it cleans.

100073



GREASE GUN REFILL KIT

Grease Refill Cartridges for Grease Gun Kit 100057

100058



HAND CLEANER

128 fl. oz. – Powerful cleansing agent with special conditioners and emollients to moisturize hands as it cleans.

100045



MOLY/GRAPHITE GREASE

14 oz. Cartridge – Provides maximum anti-wear protection. Ideal for industrial, automotive, and outdoor power equipment.

100059



HIGH TEMPERATURE THREAD COMPOUND AND ANTI-SEIZE LUBRICANT

- Eases nut and bolt assembly – eliminates all galling, seizing and binding on any threaded fitting including stainless steel. Insures fast assembly.
- Improves later disassembly – even on manifold and exhaust bolts.
- Insures correct torque readings – lubricates threads to eliminate binding, seizing and drygall caused errors. Insures true torque wrench readings and proper seating of the bolt.

93963

LUBRICANTS & CLEANERS



HEAVY DUTY SILICONE

7.5 oz. Can – Lubricates, protects, waterproofs, and restores a wide range of parts and equipment.

100069



CARBURETOR/CHOKE CLEANER

8 oz. Can - Quickly dissolves carburetor deposits, reduces downtime and improves starting.

100041



4-USE™ LUBRICANT

11 oz. – Frees rusted parts, displaces moisture, seals out rust, and stops corrosion. Protects tools, equipment, and all metals.

100043



CARBURETOR/CHOKE CLEANER

16 oz. Can

100042



PENETRATING OIL PLUS

11 oz. Can

100070



HEAVY-DUTY DEGREASER

15 oz. Heavy Duty – Powerful, industrially formulated cleaner. Quick removal of oil, hydraulic fluids and related contaminants.

100044



BATTERY TERMINAL CLEANER

11 oz. Can – Cleans battery terminals, cable connectors, casings, and retainer frames.

100067



FOGGING OIL

10 oz. Can – Special formulation for maximum internal rust protection for all 2 & 4 cycle engines.

100062



BATTERY TERMINAL PROTECTOR

7.5 oz. Can – Prolongs battery life and assures faster, dependable starting.

100068

STARTERS

12 VOLT ELECTRIC STARTER KITS**

12 volt electric starters are intended for use above -20° F. For engines with a STEEL ring gear on flywheel, use 394952 (illustrated) which includes a new flywheel (inset) and ALUMINUM ring gear, less charging magnets.

<u>Part No.</u>	<u>Description</u>
-----------------	--------------------

394951	For use on engines with an ALUMINUM ring gear already mounted on flywheel (only on engines with type nos. 0500 and up in Model Series 146400, 147400, 146700* and 147700* – and all type nos. in Model Series 170400, 170700, 171700* and 190000).
--------	--

394952	For use on engines that do not have ring gear already mounted on flywheel. Kit includes a new flywheel and ALUMINUM ring gear, less charging magnets.
--------	---

Note: Kit No. 394952 may be used only on engines with type nos. 0500 and up in Model Series 146400, 146700* and 147700 – all type nos. in Model Series 170400, 170700*, 171700* and 190000.

394953	For use on engines with an ALUMINUM ring gear already mounted on flywheel.
--------	--

Note: Kit No. 394953 may be used on engines for all type nos. in Model Series 170400, 170700*, 171700*, 190000, 220000 and 250000.

*Kits cannot be used on vertical shaft models with 2 quart fuel tank welded to blower housing.

120 VOLT ELECTRIC STARTER KITS**

120 volt electric starters are intended for use above -20° F. For engines with a STEEL ring gear on flywheel, use 396507 (illustrated) which includes a new flywheel (inset) and ALUMINUM ring gear assembly.

<u>Part No.</u>	<u>Description</u>
-----------------	--------------------

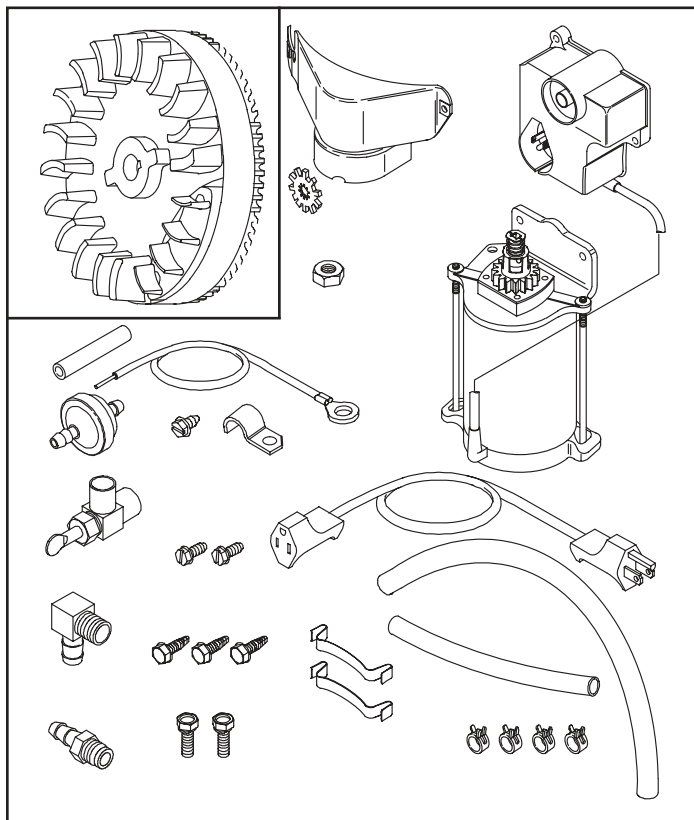
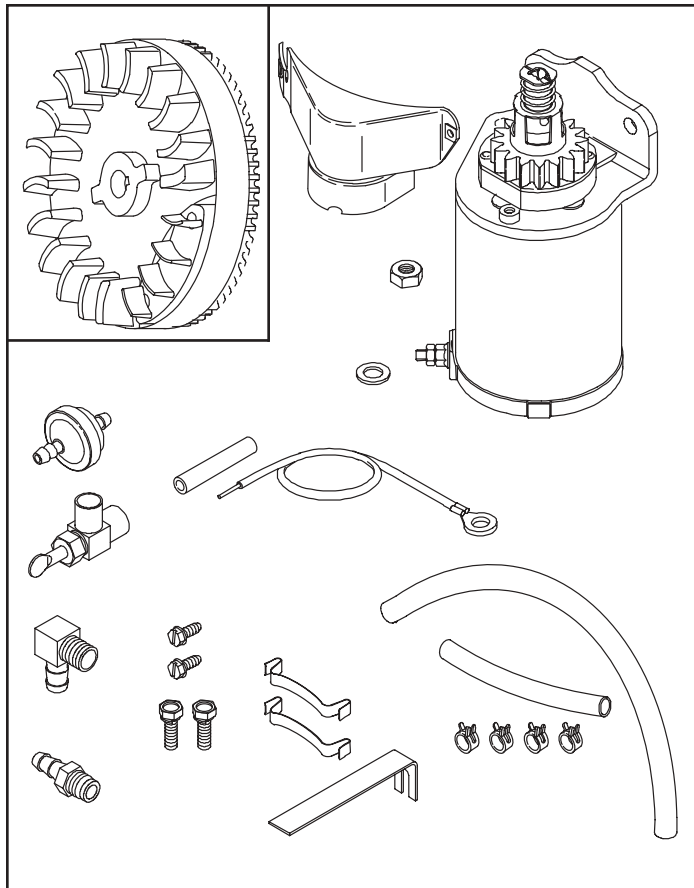
390922	Used only on Model Series 130200 which are already equipped to receive an electric starter.
--------	---

396506	For use on engines with an ALUMINUM ring gear already mounted on flywheel (only on engines with type nos. 0500 and up in Model Series 146400, 147400, 146700* and 147700*, – and all type nos. in Model Series 170400, 170700*, 190000, 220000 and 250000).
--------	---

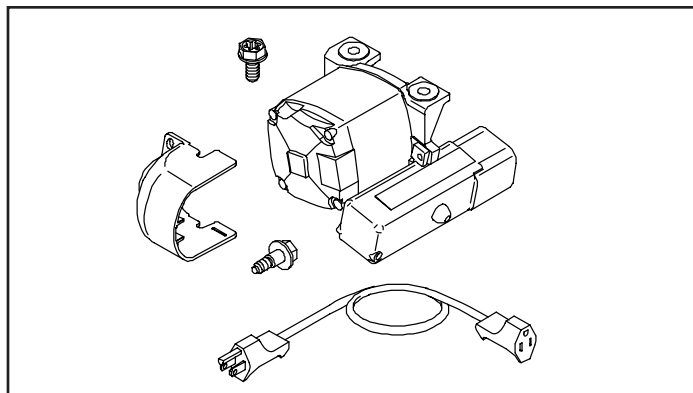
396507	For use on engine Model Series shown above except Model Series 220000 and 250000 includes flywheel and ALUMINUM ring gear assembly.
--------	---

*Kits cannot be used on vertical shaft models with 2 quart fuel tank welded to blower housing.

****STARTER KITS DO NOT INCLUDE ANY SWITCHES OR CHARGING COMPONENTS.**



STARTERS



120 VOLT ELECTRIC STARTER KITS

120 volt electric starters are intended for use above -20° F. For Intek™ snow engines equipped to accept an electric starter with a ring gear already mounted on flywheel in Model Series 12B400, 12D400, 12C400.

<u>Part No.</u>	<u>Description</u>
695660	Motor-Starter

*Kit cannot be used on vertical shaft models.

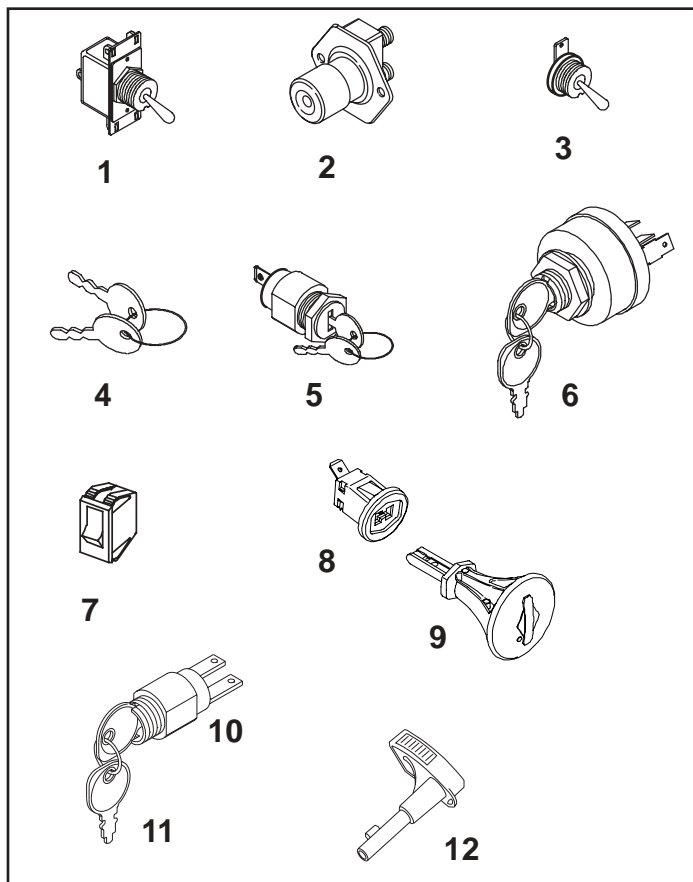
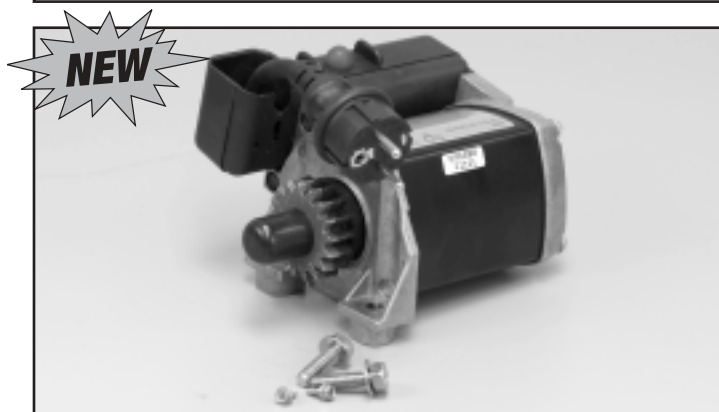
230 VOLT ELECTRIC STARTER KITS

<u>Part No.</u>	<u>Description</u>
698608	Motor-Starter

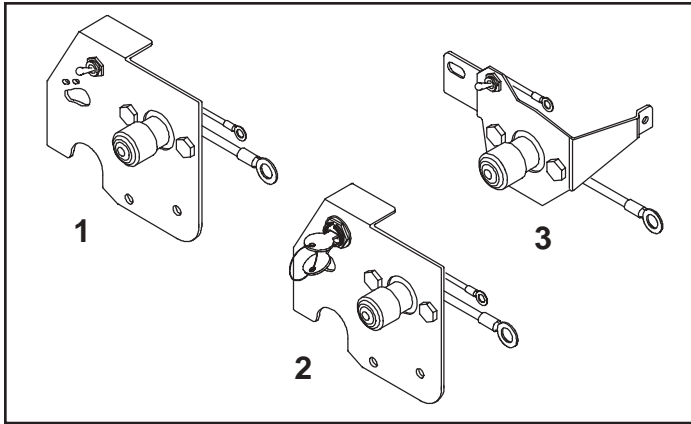
EUROPE ONLY - NOT FOR NORTH AMERICA

IGNITION SWITCHES

<u>Ref. No.</u>	<u>Part No.</u>	<u>Description</u>
1	298590	Toggle switch
2	692303	Pushbutton starter switch
3	496590	Toggle switch
4	691959	Indak ignition keys (set of 2)
5	392833	Key switch for key 691959
6	692318	Key switch assembly – used on engines equipped with carburetor solenoid
7	697854	Rocker switch (with light)
Note: Rocker switch without light is 692599.		
8	695747	Key switch used on selected snow engines
9	695756	Key used on selected snow engines
10	690646	Key switch
11	691959	Key Set for key switch 690646
12	695951	Touch-N-Mow® Key



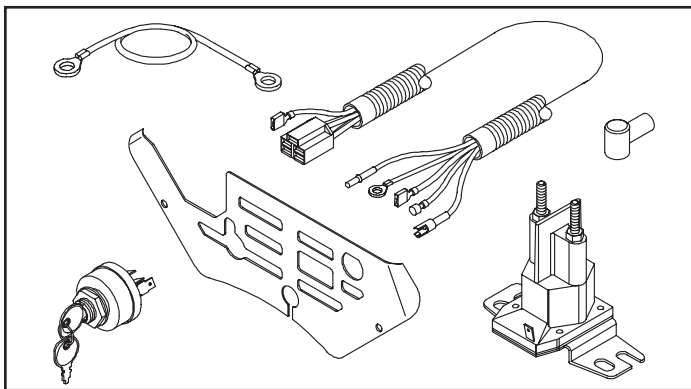
STARTERS



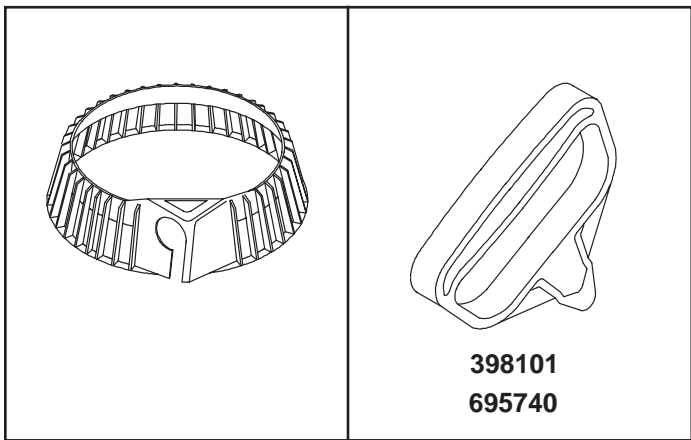
STARTER PANELS

Starter switch panels for 7 HP thru 16 HP models equipped with 12 volt starter systems.

<u>Ref. No.</u>	<u>Part No.</u>	<u>Description</u>
1	395408	Pushbutton start, toggle switch "ON/STOP."
2	395409	Pushbutton start, key switch "ON/STOP."
3	394583	Pushbutton start, toggle switch "ON/STOP."



Part number 692096 starter panel with key start for Vanguard™ V-Twin horizontal crankshaft models. Includes panel, ignition switch and key, wiring harness, solenoid and mounting hardware.



REWIND STARTER GUARDS & HANDLE

Rewind starter guards provide an added measure of operator safety (guard "snaps" into place).

<u>Models</u>	<u>Starter Guard Part No.</u>
60000 thru 110000	690601
130000	280680
170000 thru 280000	691904

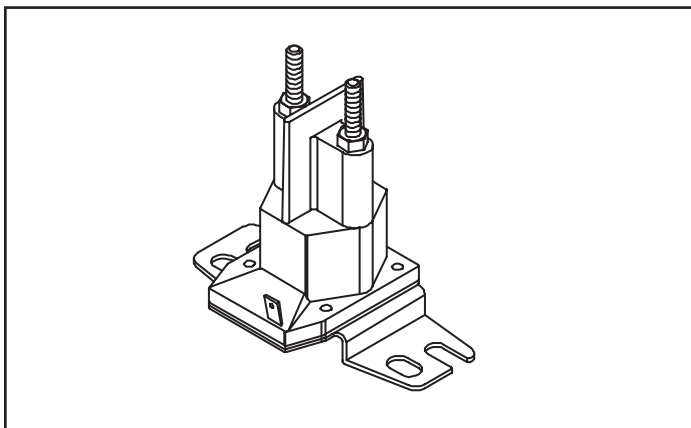
"Mitt" type grip-starter rope part number 398101, permits easier grasping (fits most models).

"Mitt" type grip-starter rope part number 695740 used on models 12A400, 12B400, 12C400, & 12D400.

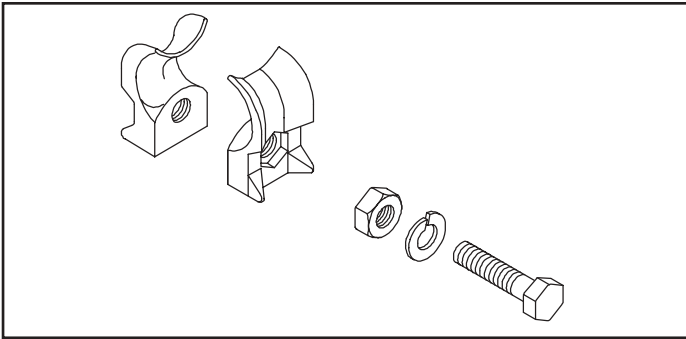
STARTER SOLENOID

<u>Model</u>	<u>Part No.</u>
Electric Start	691656

Also included in starter panel, part no. 692096

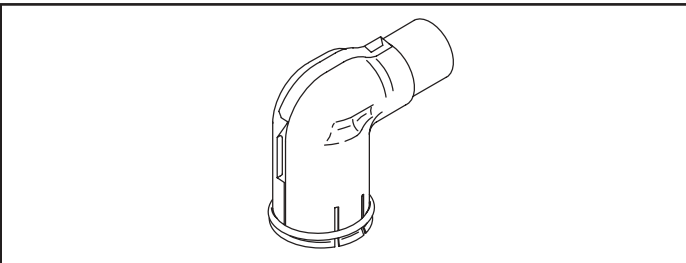


STARTERS



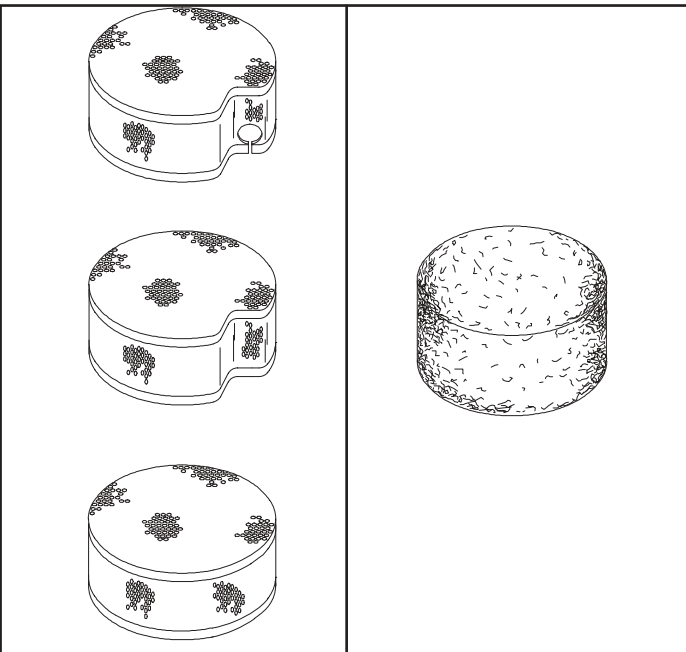
ROPE GUIDE

Part number 396526 rope guide for extended rope on rotary lawn mowers.



SPARK PLUG SHIELD

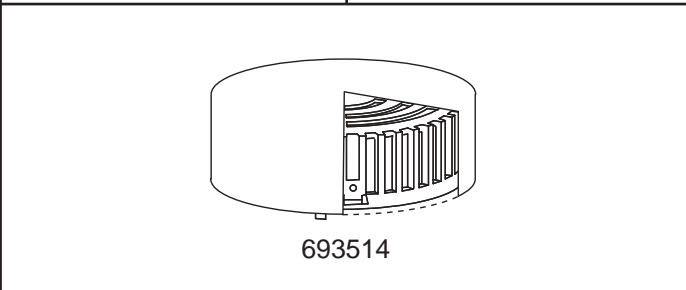
Part number 691954 spark plug shield provides added protection against moisture and suppresses radio interference. Fits most engine models.



DEBRIS GUARDS

Debris guards extend engine life by adding protection against cylinder fin debris build-up. Remove rotating screen before installing debris guard.

Engine Models	Debris Guard	"Foam Hat" Debris Filter
"60000, 80000, 90000, 110000"	398833 ¹	N/A
120000 Quantum®	N/A	693514
130000	493945 ^(1&4)	271735
190000 thru 280000	397530 ¹	
190000 thru 280000	398857 ²	
280000	695448 ^(5&6)	271735
400000, 420000	(Covers only rotating screen area) 491349 ²	271964
400000, 420000	(Covers entire blower housing) 393330 ²	N/A
290000, 303000, 350000	808030 ²	805935



1 Rewind starter models only.

2 Electric starter models without rewind starter.

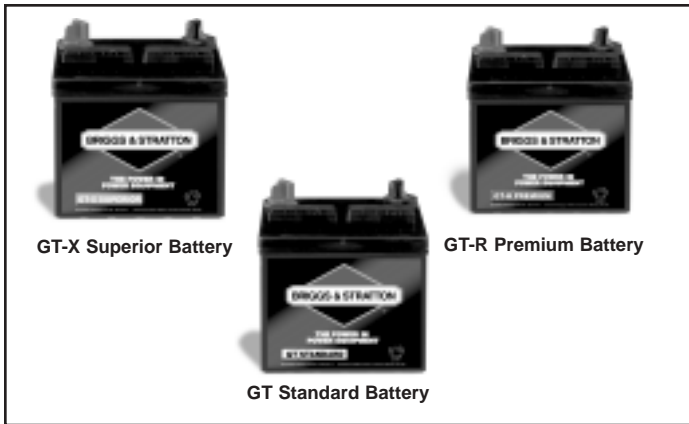
3 Before date code 90032700.

4 After date code 90032600, before date code 91101300.

5 Rewind starter models only. After date code 99102600.

6 Rotating screen must be removed when using guard 695448.

BATTERIES & BATTERY ACCESSORIES



GT-X Superior Battery

GT-R Premium Battery

GT Standard Battery



BATTERIES

- High performance, maintenance free and reliable batteries.
- Popular sizes up to 300 CCA for garden tractors, snowmobiles, snow blowers and other powered equipment.

BRIGGS & STRATTON BATTERIES					
BCI Group Size	Battery Type	Cranking APMS @0°F (mins.)	Reserve Capacity @ 80°F	Approx. Wt. (lbs) Wet	Application
U1	GT-X	300	34	17	18HP Engines or above
	GT-H	235	25	15	up to 18 HP Engines
	GT	165	17	13	up to 12 HP Engines
UR1	GT-R*	235	25	15	up to 18 HP Engines

* Same as GT-H battery, but positive and negative terminals are reversed

Ordering information:

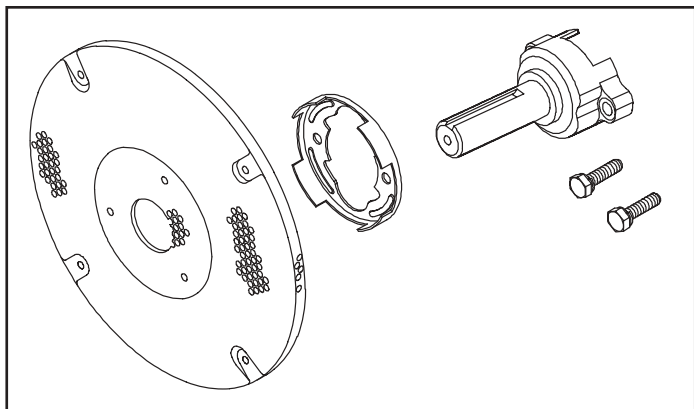
- For replacement battery, contact your Briggs & Stratton Authorized Service Dealer.
- OEM inquiries should be directed to Exide 1-888-723-1881.

BATTERY CENTER DISPLAY

<u>Part No.</u>	<u>Description</u>
B7000001	Battery Terminal Protector – 1 oz.
B7000002	Battery Terminal Cleaner – 1 oz.
B1600131	Battery Terminal Anti-Corrosion Washer
B1500109	Battery Terminal Bolts
B1501012	Coated Top Post Battery Terminals
B7000150	Red & Black Terminal Caps
B7000126	Terminal Spreader
B7000151	Battery Load Tester
B7001201	1 Amp – Trickle Charger – Regulated
B7000516	Terminal Lugs
B7801226	Booster Cables 12' – 10 gauge
B2580010	Battery Cable 19" – 6 gauge
B2580011	Battery Cable 43" – 6 gauge
B2580012	Battery Cable 49" – 6 gauge
B7062059	Mechanics Hydrometer
B7000118	Metal Brush
B1500142	Battery Cable Bolts with wingnuts

Contact your Briggs & Stratton Central Sales and Service Distributor or Authorized Service Dealer.

MISCELLANEOUS

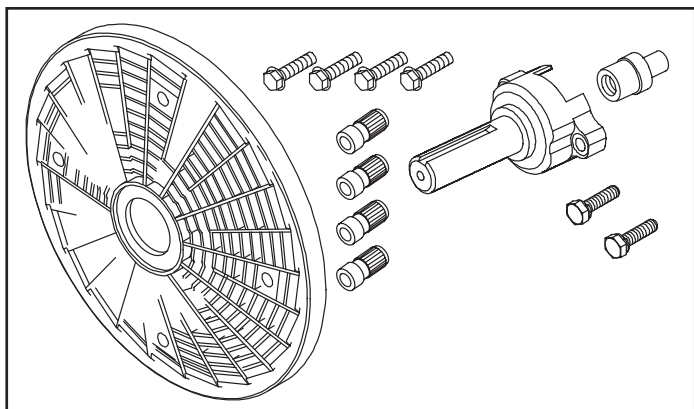


STUB SHAFT KITS

A stub shaft kit, part number 494192, is available for horizontal shaft Opposed Twin Cylinder engines, models 400000 and 420000. Kit includes:

<u>Quantity</u>	<u>Part No.</u>	<u>Description</u>
2	691088	Hex sem screws
1	690452	Fan retainer
1	224414	Rotating screen
1		Stub shaft*

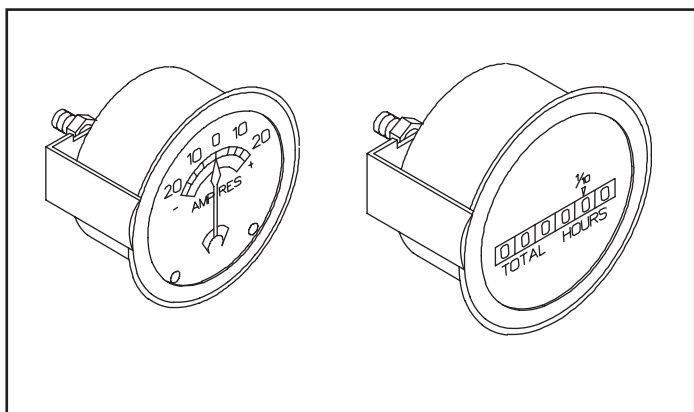
Note: Engines built prior to code date 93011800 require the purchase of flywheel fan part number 498157 and fan retainer part number 690452.



A stub shaft kit, part number 807867, is available for horizontal shaft Vanguard™ V-Twin engines, models 290000 thru 380000. Kit includes:

<u>Quantity</u>	<u>Part No.</u>	<u>Description</u>
2	691088	Hex sem screws
1		Stub shaft*
1	690887	Hex nut
4	691500	Screen spacers
4	691647	Hex screws
1	690740	Pilot pin
1	690749	Rotating screen

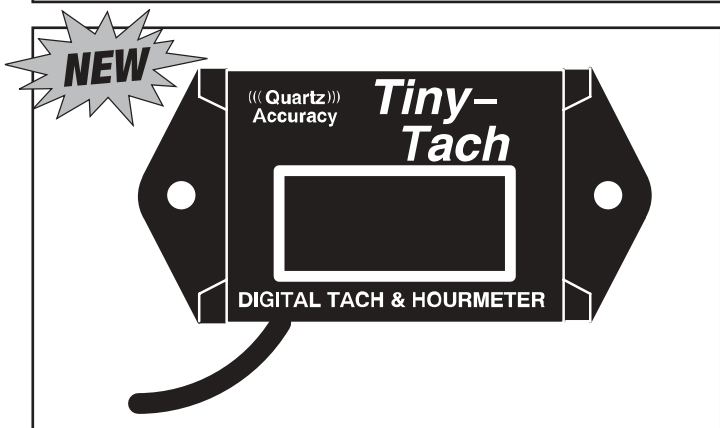
*Stub shaft: keyway-1/4x2.3", length-3", diameter-1".



AMMETER & HOUR METER

<u>Part No.</u>	<u>Description</u>
295158	Ammeter by Stewart Warner. Scale: 20-0-20 amps.
100025	Hour meter by Hobbs. Requires 12V battery.

Note: Both meters include mounting hardware.



DIGITAL TACHOMETER & HOUR METER

Easy-to-use Tiny-Tach meter indicates engine RPM and run time.

<u>Part No.</u>
19389

NEW

MISCELLANEOUS



MAINTENANCE MINDER™

<u>Part No.</u>	<u>Description</u>
5081D	The Maintenance Minder™ keeps track of the number of hours the equipment is being used, so that maintenance can be performed at the proper intervals. After maintenance is performed, simply reset the meter. Includes a stick on label that shows the recommended maintenance intervals.
4210	Bulk pack (Quantity is 25 per box)



NORAM™ REDUCTION GEARBOXES

<u>Engine Model No.</u>	<u>Noram™ Adapter Kit Number</u>	<u>Noram™ Gearbox Number</u>
196400	13500024	61100 / 21100+
235400	13500015	61100 / 21100+
245400	13500015	61100 / 21100+
138400	1" dia. 12800010	61100 6-1+
138400	12800010	21100 2-1+
185400	N/A	61100 6-1+
185400	N/A	21100 2-1+



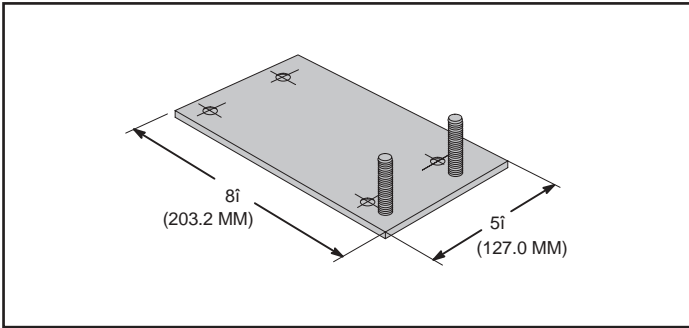
Notes: All engines must have a flange mount side cover.
 Noram output shaft size: diameter-1", length-3", keyway-1/4".

+ 1" dia. keyway crankshaft.

Contact your Briggs & Stratton Central Sales and Service Distributor to order.

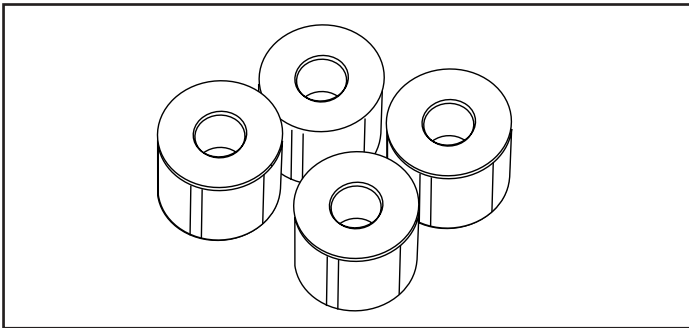
NORAM: 3131 West Mill Road
 P.O. Box 09338
 Milwaukee, WI 53209

MISCELLANEOUS



498861 ADAPTER PLATE

This adapter plate allows for the repowering of Model Series 130000 engines with a 5.5 HP Vanguard™.



695154 ADAPTER SPACER KIT

For raising engine to crankshaft height of Model 190000. For Models 204400, 205400, 206400. Adapters are 1" high and 1-1/8" wide.



LONG LIFE PLATINUM SPARK PLUGS

For easy starts, reduces fouling.

PART NO.	DESCRIPTION	MODEL SERIES
5062D 4175 4176	1 Piece 24 pcs. Shop Pack 8 pcs. Pack	Used on most Briggs & Stratton L-Head engines except on OHV models
5066D 4173 4174	1 Piece 24 pcs. Shop Pack 8 pcs. Pack	Used on Intek™, Vanguard™ and most OHV engines



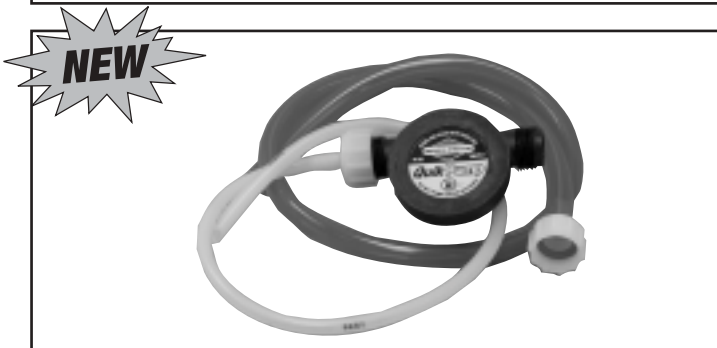
TIRE SEALANT

16 oz. & 32 oz.

100032 – 16 oz.

100032a – 16 oz. (Tire sealant counter display – 8 bottles)

100033 – 32 oz.



OIL PUMP KIT

<i>Part No.</i>	<i>Description</i>
5056B	Pump Assembly 19410, Hose 19412, Tube-short 19427 & Tube-long 19428.

Operate by attaching to electric hand drill.



BRIGGS & STRATTON POWER PRODUCTS GENERATOR ACCESSORIES



STORAGE COVER KIT - LARGE

- Fits 15"-20" generator cradles with wheel kit installed
- Protects your investment from dirt, dust, etc.
- Not intended for outdoor use

B4767GS



WHEEL KIT 20" - DELUXE

- Fits generators with a 20" wide cradle
- 12" pneumatic wheels
- U shaped handle

93584GS



STORAGE COVER KIT - SMALL

- Fits generator with 15" cradle without wheel kit
- Protects your investment from dirt, dust, etc.
- Not intended for outdoor use

84895GS



4-GALLON FUEL GAUGE

- Simple float design
- Provides continuous indication of fuel tank level
- Replaces the standard fuel cap on 4-gallon plastic fuel tanks

85134GS



WHEEL KIT 15" STANDARD

- Fits most generators
- 8" Solid wheels
- Lifting handles

93580GS



5-GALLON FUEL GAUGE

- Simple float design
- Provides continuous indication of fuel tank level
- Replaces the standard fuel cap on 5-gallon plastic fuel tanks

94834GS



WHEEL KIT 15" - DELUXE

- Fits generators with a 15" wide cradle
- 12" pneumatic wheels
- U shaped handle

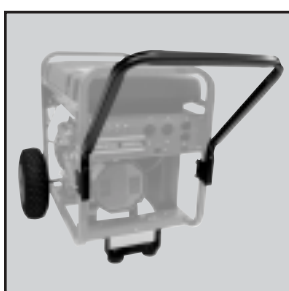
93581GS



7-GALLON FUEL GAUGE

- Simple float design
- Provides continuous indication of fuel tank level
- Replaces the standard fuel cap on 7-gallon plastic fuel tanks

B4363GS



WHEEL KIT 18" - DELUXE

- Fits generators with a 18" wide cradle
- 12" pneumatic wheels
- U shaped handle

93583GS



12 VOLT BATTERY CHARGE CABLES

Used on generators equipped with battery charge outlet.

65787GS

BRIGGS & STRATTON POWER PRODUCTS GENERATOR ACCESSORIES



WEATHERGUARD KIT

Fits Model 20 Intek™ OHV engines installed in generator applications only. Although designed to improve winter weather engine performance, it can be left installed all year.

698816



FAMILIARIZATION & TROUBLESHOOTING GUIDE GENERATOR

Manual

86262GS



TRANSFER SWITCH

SYSTEMS

695061	6 circuit, 5000 watt, 20 amp system
695062	10 circuit, 7500 watt, 30 amp system
695571	6 circuit, 7500 watt, 30 amp system
695511	10 circuit, 12,500 watt, 30 amp system

INLET BOXES

695066	20 amp inlet box
695067	30 amp inlet box
695514	50 amp inlet box

POWER CORDS

695517	15' 50 amp power cord
695518	15' 50 amp power cord
695520	10' 20 amp power cord
695521	10' 30 amp power cord
695522	25' 20 amp power cord
695523	25' 30 amp power cord

CONTACT YOUR BRIGGS & STRATTON CENTRAL SALES AND SERVICE DISTRIBUTOR TO ORDER.



**BRIGGS & STRATTON POWER PRODUCTS
PRESSURE WASHER ACCESSORIES**



MULTI-PURPOSE WASH

Concentrate - 32 oz. bottle

100527GS



KIT - FLOOR BRUSH

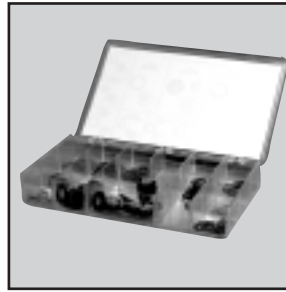
100510GS



VEHICLE/BOAT WASH

Concentrate - 32 oz. bottle

100525GS



O-RING MAINTENANCE KIT

- Replacement o-rings used on pressure washer guns, wands, hoses, and accessories
 - Designed for a Service Center application
 - Replacement o-rings come in quantity of 10 each
- 186458GS



HEAVY DUTY DEGREASER

Concentrate - 32 oz. bottle

100526GS



TURBO NOZZLE

- Great for heavy duty cleaning and paint stripping
- Stainless Steel Wand
- Use with all pressure washers 1500-2400 psi., up to 2.2 gpm and with M22 fitting.

100511GS



DECK WASH

Concentrate - 32 oz. bottle

100524GS



25 FOOT EXTENSION HOSE

- Rated for 4000 PSI/276 BAR
- 25' x 3/8 size
- M22-1.5 female thread on both ends
- Non Marking

B3635GS



ROTATING BRUSH

89080GS



50 FOOT EXTENSION HOSE

- M22-1.5 female thread
- Quick connect female fitting
- Rated at 4000 PSI

B3636GS



BRIGGS & STRATTON POWER PRODUCTS PRESSURE WASHER ACCESSORIES



PUMP SAVER - 6 PACK

- Protects against freezing for safe cold weather storage
- Maintains seals and pistons
- Prevents harmful buildup of hard water mineral deposits in pump

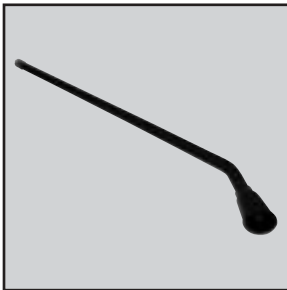
100515GS



QUICK CONNECT

- 3/8 female NPT
- Quick connect male fitting
- Rated at 4000 PSI

B4705GS



ANGLE EXTENSION

- Ideal for cleaning vehicle underbodies, cleaning gutters, etc.

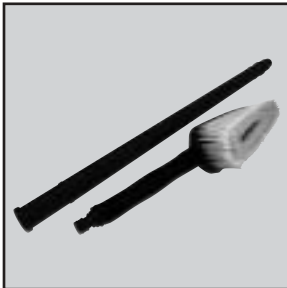
89075GS



HOSE TO HOSE ADAPTER

- 3/8 female NPT
- M22-1.5 male thread
- Rated at 4000 PSI

95457GS



MULTI PURPOSE BRUSH

- Used in conjunction with your Generac Pressure Washer
- For automobiles, patio furniture, windows, siding and other surfaces

89079GS



HOSE TO HOSE ADAPTER

- M22-1.5 x M22-1.5 male thread
- Rated at 400 PSI

B3575GS



QUICK CONNECT

- M22-1.5 female thread
- Quick connect female fitting
- Rated at 4000 PSI

95518GS



QUICK CONNECT

- 3/8 female NPT x M22-1.5 female
- Rated at 4000 PSI

185922GS



QUICK CONNECT

- M22-1.5 female thread
- Quick connect female fitting
- Rated at 4000 PSI

95519GS



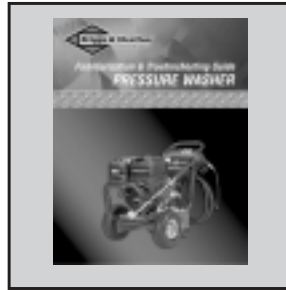
BRIGGS & STRATTON POWER PRODUCTS PRESSURE WASHER ACCESSORIES



QUICK CONNECT

- 3/8 female NPT x
- Female quick connect
- Rated at 4000 PSI

95458



FAMILIARIZATION & TROUBLESHOOTING GUIDE PRESSURE WASHER

Manual

B2377GS



QUICK CONNECT

- 3/8 male NPT
- Male quick connect
- Rated at 4000 PSI

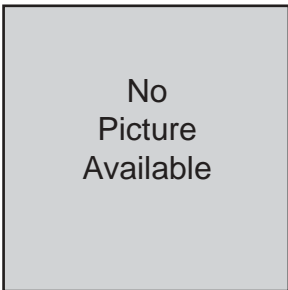
95459



QUICK CONNECT SET

- Combines part numbers
- 185922 & 95458
- Rated at 4000 PSI

185923

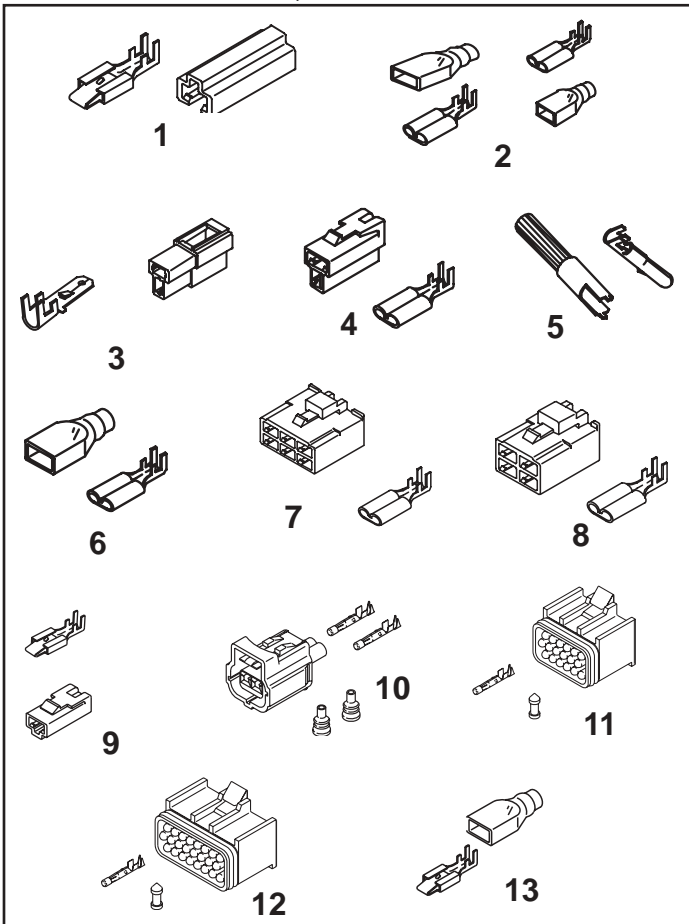


O-RING MAINTENANCE & NOZZLE CLEANING KIT

- Replaces worn or damaged o-rings
- Helps maintain nozzle performance

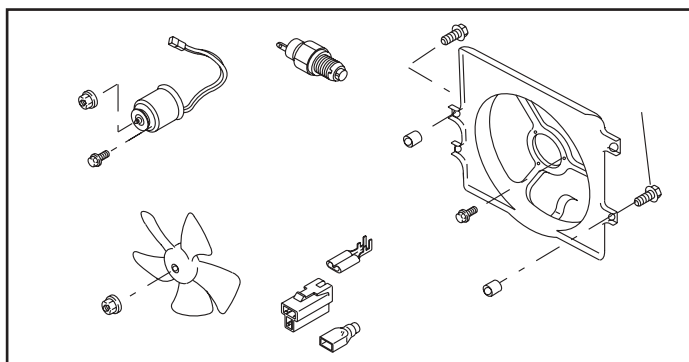
190862GS

3/LC ENGINE OPTIONS



ELECTRICAL CONNECTORS

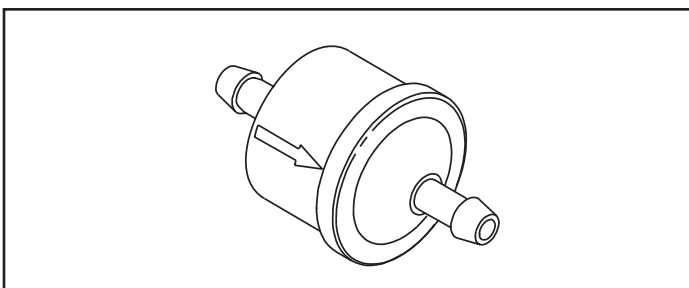
<u>Ref. No.</u>	<u>Part No.</u>	<u>Terminal Connectors used on</u>
1	825154	Oil pressure switch, water pressure switch
2	825155	Coil-ignition wire kit
3	825156	Female fuel filter, fuel pump, and ignition trigger
4	825157	Male fuel pump, alternator, ignition trigger, fuel filter, and fan motor
5	825158	Solenoid
6	825160	Water temperature switch and water pump switch
7	825162	Pre heat timer (ignition module, male)
8	825163	Ignition module, male
9	825266	Fuel injection pump, starter terminal
10	825288	Water temp switch
11	825289	Electronic gov. control module 12 Pins
12	825290	Electronic gov. control module 10 Pins
13	825322	0.8 KW starter



FAN MOTOR KIT

Electric radiator fan 120W.

825217

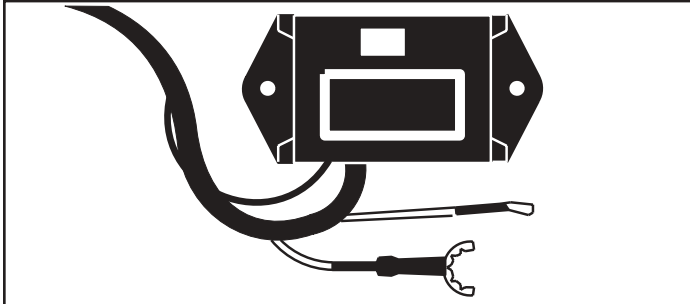


FUEL FILTER

Used on gasoline engines only.

692983

3/LC ENGINE OPTIONS



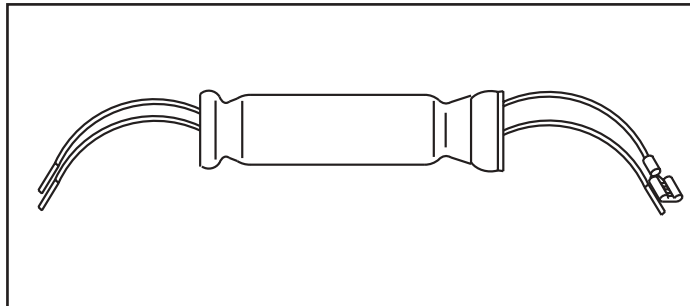
DIGITAL TACHOMETER AND HOURMETER
For use on Vanguard™ 3/LC liquid cooled diesel engines.

19457



TRANSDUCER
Use with 19457 Digital Tachometer and Hourmeter. Quick clamp design with spring loaded post terminal for easy installation and removal.

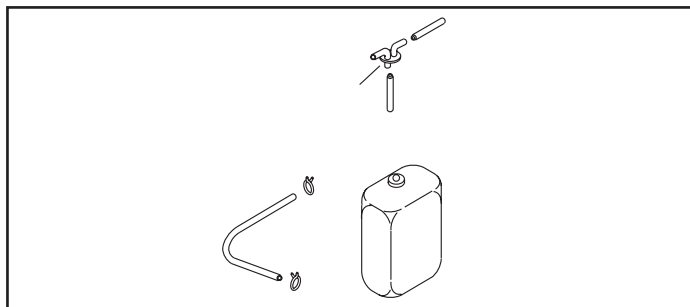
19463



TACHOMETER ADAPTER
Adapter permits use of digital tachometer, part #19389, on Vanguard™ 3/LC gasoline engines.

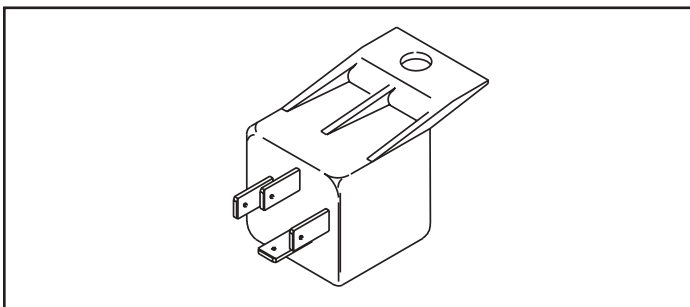
See page 41.

19456



RESERVE TANK

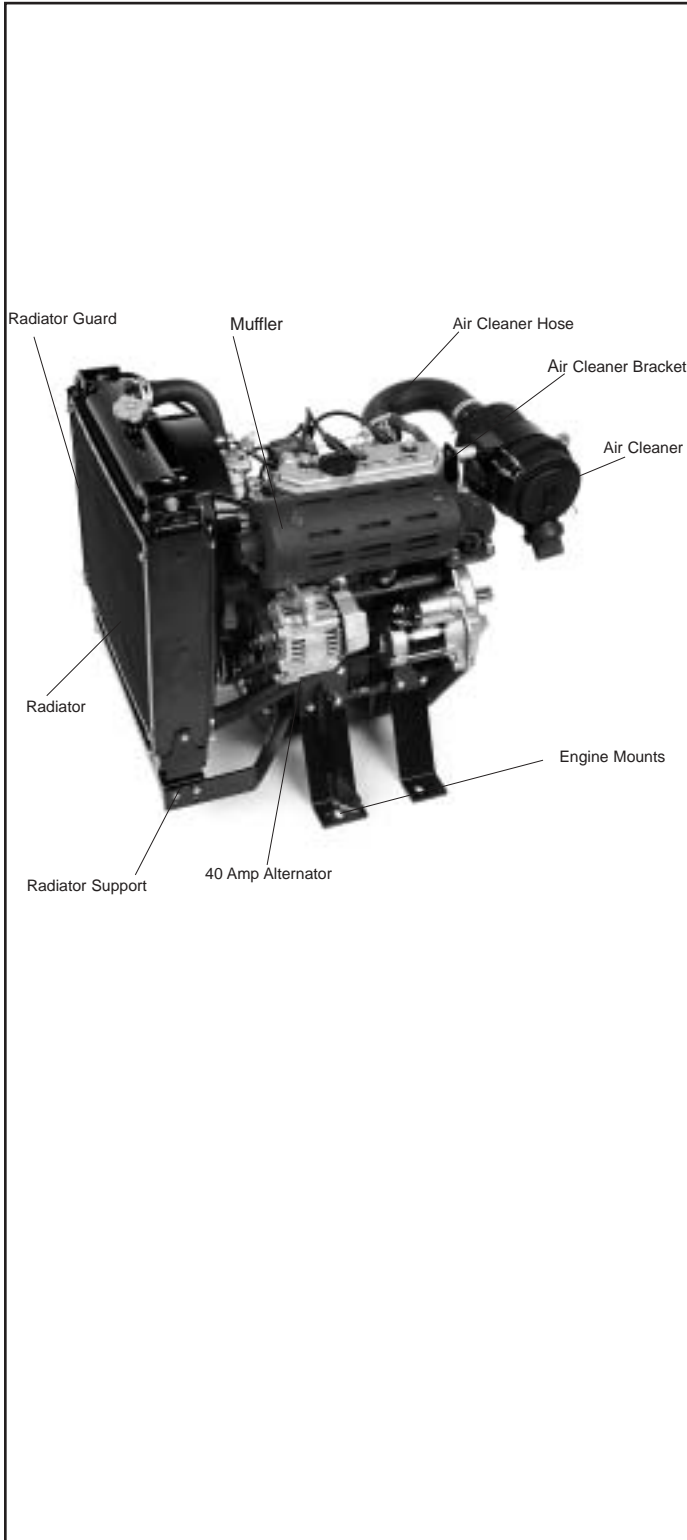
825462



STARTER RELAY

820455

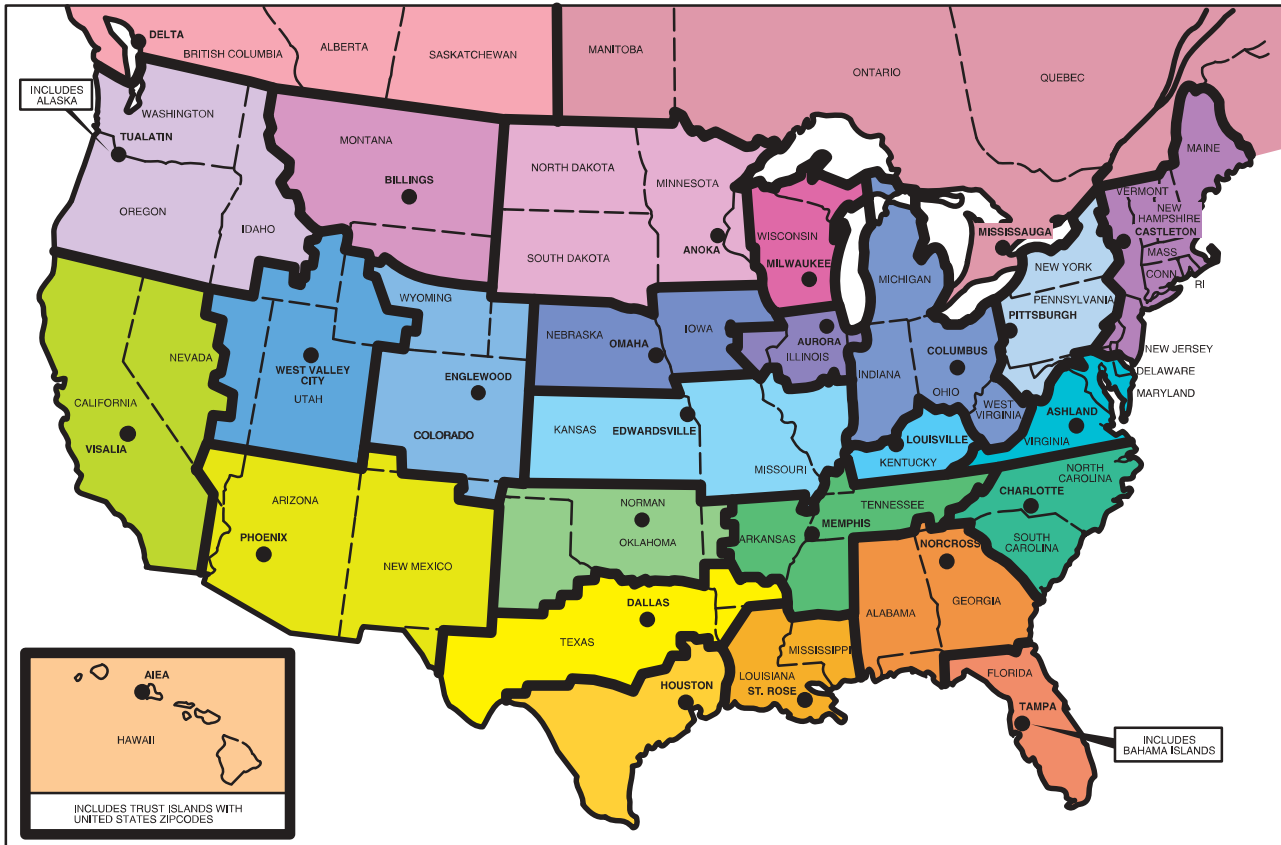
3/LC ENGINE ACCESSORIES



3 CYLINDER VANGUARD™ LIQUID COOLED

<u>Service Part No.</u>	<u>Accessory Kit</u>	<u>Includes</u>
825137	Air Cleaner	Paper element with cyclone pre-cleaner, straight out, mounting band
825125	Air Cleaner	Paper element with cyclone pre-cleaner, 90° out, mounting band
825218	Air Cleaner Bracket	Air Cleaner Mounting Bracket
825214	Engine Mounts	(4) Mounting Feet for base engine
825215	Engine Mounts	Same, but for engine with SAE bell housing (825099)
825098	Housing Flange	Flywheel housing with SAE "A" type hydraulic pump flange – no coupling
825113	Housing Flange	Flywheel housing with SAE "B" type hydraulic pump flange – no coupling
825099	SAE Housing & Flywheel	SAE flywheel #6-1/2 & SAE bell housing #5 instead of end plate
825200	Muffler	Exhaust muffler with guard
825358	Muffler Adapter	Muffler Adapter 45°, Gasket, Fasteners
825124	Radiator-S Kit	Radiator, Fan Shroud, Surge Tank with Bracket, Hoses with Clamps
825103	Radiator Guard	Protective Grill
820259	Radiator Screen	Removable Debris Screen
825216	Radiator Mounting Kit	Radiator-to-Engine Mounting System
825072	Radiator Drain Valve Assembly	Remote Radiator Drain Kit
825123	Stub Shaft 1"	Stub Shaft 1" Diameter with 1/4 keyway
825078	Stub Shaft 1-7/16"	Stub Shaft 1-7/16" Diameter with 3/8 keyway
820554	A/C Hose 90° Bend	A/C Hose 90° Bend with 2 clamps
820556	A/C Hose 180° Bend	A/C Hose 180° Bend with 2 clamps
825219	Diesel Fuel Filter	Fuel Filter with primer pump, water separator and water indicator switch
825449	Wire Harness Extension	Length: 6'
825447	Wire Harness (Diesel)	Single connector hook-up, 42" wire harness extension
825448	Wire Harness (Gas)	Single connector hook-up, 42" wire harness extension
825450	Control Panel (Gas)	Low oil pressure, high engine temperature, and charging indicators
825451	Control Panel (Diesel)	Low oil pressure, high engine temperature, glow plug, fuel filter, and charging indicators.

**BRIGGS & STRATTON CORPORATION
AUTHORIZED CENTRAL SALES & SERVICE DISTRIBUTORS**



Aiea	HI	96701	Small Engine Clinic, Inc.	98-019 Kam Highway	Harry Ward	808-488-0711
Anoka	MN	55303	Wisconsin Magneto, Inc.	800 McKinley Street	Joseph Whalen	763-323-7477
Ashland	VA	23005	RBI Corporation	10201 Cedar Ridge Drive	Richard Lachine	804-550-2210
Aurora	IL	60504	Midwest Engine Warehouse	700 Enterprise Street	Scott Ferguson	630-862-3100
Billings	MT	59101	Original Equipment, Inc.	905 Second Avenue North	Tom Converse	406-245-3081
Castleton	NY	12033	Atlantic Power, Inc.	20 Empire State Blvd.	Darold Dunham	800-456-5692
Charlotte	NC	28216	Preferred Power, Inc.	6509-A Northpark Blvd.	Scott Harrison	704-598-1010
Columbus	OH	43228	Central Power Systems	2555 International Street	John DeNiro	614-876-3533
Dallas	TX	75207	Grayson Company, Inc.	1234 Motor Street	Steve DeWitt	214-630-3272
Edwardsville	KS	66111	Diamond Engine Sales West	9630 Woodend Road	Steve White	913-543-7600
Englewood	CO	80110	Pacific Power Equipment Company	3141 S. Platte River Drive	Mike Roseboom	720-833-2900
Houston	TX	77040	Engine Warehouse, Inc.	7415 Empire Central Drive	Robert Graham	713-937-4000
Louisville	KY	40299	Commonwealth Engine, Inc.	11421 Electron Drive	John Clements	502-263-7026
Memphis	TN	38116	Engine Power Distributors	3250 Millbranch Road	Ken Broom	901-345-0300
Milwaukee	WI	53209	Wisconsin Magneto, Inc.	4727 N. Teutonia Avenue	Mark Polzin	414-445-2800
Norcross	GA	30093	SEDCO, Inc.	4305 Steve Reynolds Blvd.	Frank Manno	770-925-4706
Norman	OK	73069	Engine Warehouse, Inc.	2701 Venture Drive	Sandy Wilson	405-364-6868
Omaha	NE	68138	Midwest Engine Warehouse of Omaha	10606 S. 144th St.	Steve Potthoff	402-891-1700
Phoenix	AZ	85009	Power Equipment Company	7 North 43rd Avenue	Diane Bickford	602-272-3936
Pittsburgh	PA	15233	Three Rivers Engine Distributors, Inc.	1411 Beaver Avenue	John Gable	412-321-4111
St. Rose	LA	70087	Grayson Company Kenner	120 Pintail Street	Bob McCary	504-465-9222
Tampa	FL	33610	Central Power Systems of Florida	4751 Oak Fair Boulevard	Dave Zinn	813-626-5447
Tualatin	OR	97062	Brown & Wisner, Inc.	9991 S. W. Avery Street	Mark Adams	503-692-0330
Visalia	CA	93291	Power Equipment Company	7101 W. Doe Avenue	Diane Bickford	559-651-1150
West Valley City	UT	84120	Frank Edwards Company	3626 Parkway Blvd.	Kevin Day	801-736-8060

CANADA

Mississauga (Toronto)	ON	L5T 2J3	Briggs & Stratton Canada Inc.	301 Ambassador Drive	Neil Sheidow	905-795-2632
Delta (Vancouver)	BC	V3M 6R9	Briggs & Stratton Canada Inc.	300 – 1628 Derwent Way	Bruce Heesom	604-520-1294

www.briggsandstratton.com

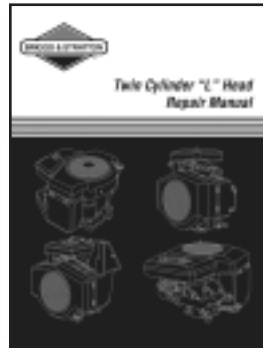
PRINTED IN U.S.A.



MS-5568
Engine Sales, Replacement, Specifications and Price List



270962
Single Cylinder "L" Head Repair Manual



273521
Intek™ V-Twin cylinder OHV Repair Manual



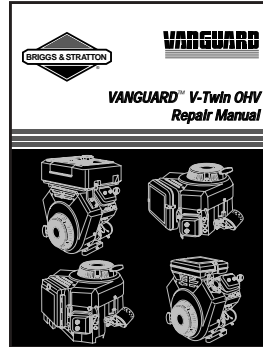
CE8069
Service Manual for Out of Production Engines 1919-1981



MS-8746
Service Tools Catalog



272147
Single Cylinder OHV Repair Manual



272144
Vanguard V-Twin cylinder OHV Repair Manual



275072
Micro Engine Repair Manual



MS-4185
Genuine Parts Catalog



271172
Twin Cylinder "L" Head Repair Manual



247041
2-Cycle Single Cylinder Engines



CE3048 and CE3049
3-Cylinder Gas and Diesel Professional CDs

Copyright © 2003 by Briggs & Stratton Corporation

All rights reserved. No part of this book may be reproduced or transmitted, in any form or by any means, electronic or mechanical, including photocopying, recording or by any information storage and retrieval system, without permission in writing from Briggs & Stratton Corporation.



Briggs & Stratton Corporation



WORLDWIDE SERVICE

Wherever you are, wherever you go, you can count on quick, highly skilled, reliable service through the Briggs & Stratton worldwide network of more than 40,000 Authorized Service Dealers, including more than 4000 Master Service Technicians, dedicated to implementing our commitment to reliability and service. In addition, 100 Briggs & Stratton Central Sales and Service Distributors across the globe provide prompt back-up support on all aftermarket sales and service matters. You can count on us!

Corporate Office
 12301 W. Wirth Street
 Wauwatosa, WI 53222-2111 USA
 Tel: 414.259.5333
 Dealer Locator: 1-800-223-3723
www.briggsandstratton.com
BriggsNetwork.com



Attach your dealer imprint:

