

PLASTIC CASE SOLENOIDS

Standard Unit Selection Guide

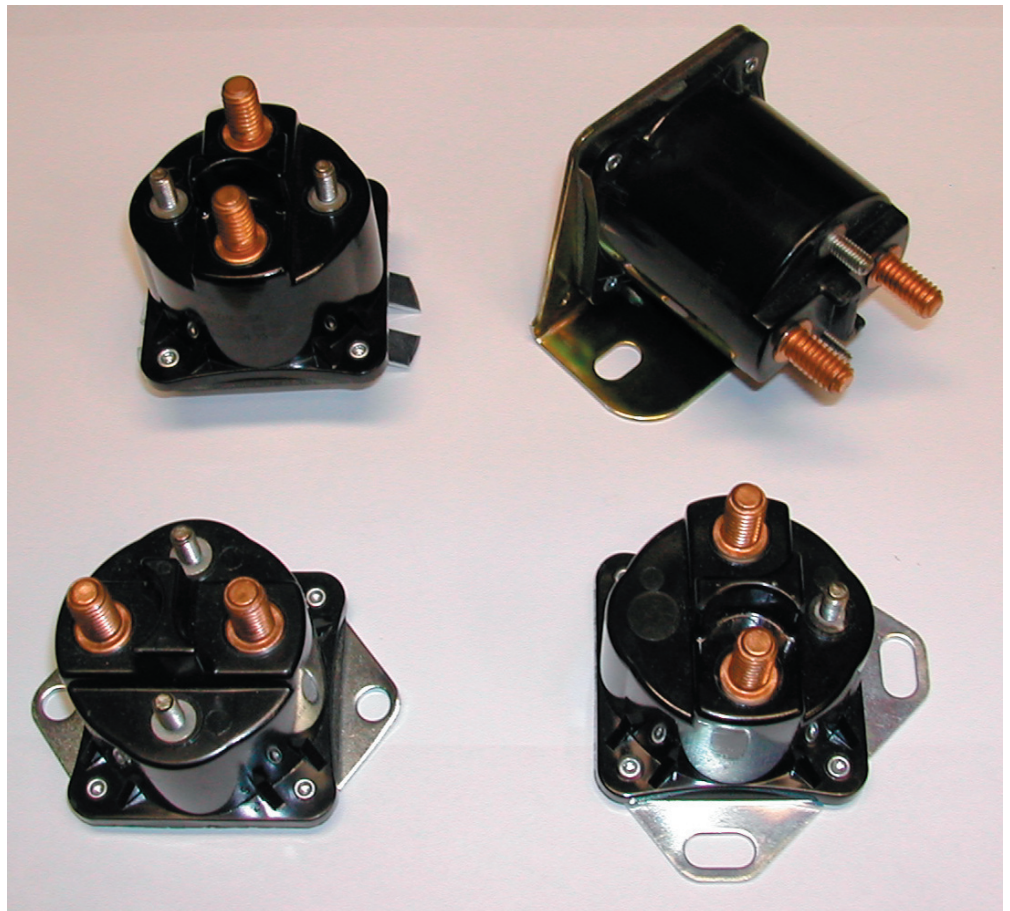
Type SAZ and SBC Plastic Case Solenoids

AMETEK/Prestolite Switch Type SAZ and SBC Solenoid Switches are designed to switch inductive loads in DC circuits up to 48 volts. The one-piece molded case is highly resistant to dust and moisture, making these solenoids suitable for controlling a wide variety of loads, such as:

- ❖ Engine Starting Motors and Shift Solenoids
- ❖ Hydraulic Pump Motors
- ❖ Diesel Engine Glow Plugs
- ❖ Marine Tilt/Trim Motors
- ❖ Winch Motors
- ❖ Traction Motors
- ❖ Auxiliary Power Circuits

Construction/Performance

- ❖ Plastic, Water-Resistant Case
- ❖ 6 to 48 VDC Inductive Loads
- ❖ Up to 100 Amps Continuous
- ❖ Leaf Spring Contact Design
- ❖ SPST-NO Contacts
- ❖ Continuous and Intermittent Duty Coils
- ❖ Short Case- Type SAZ
- ❖ Tall Case- Type SBC



PLASTIC CASE SOLENOIDS

Standard Designs-Type SAZ and SBC Solenoids

Carry Amps	Coil Volts	Wiring Diag	Coil Duty	Mounting Bracket	Mounting Provisions	Mounting Centers	Coil Ohms	Pickup Volts	Optional Features	Load Terminals	Coil Terminals	Part Number
100	12	2	HDI	F180	0.275 Holes	2.62 in	4.1	9.5		5/16-18	(2)10-32	SAZ-4201EY
100	12	2	HDI	F180	0.275 Holes	2.62 in	4.1	8.5	P,M,T	5/16-18	(2)10-32	SAZ-4201AHY
100	12	2	HDI	F180	0.275 Holes	2.62 in	4.1	8.5	P,T	5/16-18	(2)10-32	SAZ-4201AP
100	12	2	HDI	F180	0.26 Holes	2.62 in	4.1	8.5	S,C,M,G,T	5/16-18	(2)10-32	SAZ-4201DUY
100	12	2	HDI	C22	0.28 Slots	56 Deg	4.1	8.5	W	5/16-18	(2)10-32	SAZ-4201ER
100	12	2	C	F90	0.28 Slots	2.19 In	15.5	8.5		5/16-18	(2)10-32	SBC-4201F
100	12	2	C	F90	0.28 Slots	2.19 In	15.5	8.5	C,W	5/16-18	(2)10-32	SBC-4201J
100	12	2	C	F90	0.28 Slots	2.19 In	15.5	8.5	C,W,A	5/16-18	(2)10-32	SBC-4201Y
100	12	2	C	F180	0.275 Holes	2.62 In	15.5	8.5		5/16-18	(2)10-32	SBC-4201C
100	12	2	C	F180	0.275 Holes	2.62 In	15.5	8.5	F	5/16-18	(2)10-32	SBC-4201W
100	12	2	C	L	0.28 Slots	2.32 In	15.5	8.5		5/16-18	(2)10-32	SBC-4201AD
100	12	3	I	C222	0.28 Slots	56 Deg	3.1	8.5		5/16-18	(1)10-32	SAZ-4201L
100	12	3	HDI	C222	0.28 Slots	56 Deg	4.1	9		5/16-18	(1)10-32	SAZ-4201AE
100	12	4	I	F90	0.28 Slots	2.19 In	3.1	8.5		5/16-18	(2)10-32	SAZ-4201BU
100	12	4	I	F90	0.28 Slots	2.19 In	3.1	8.5		5/16-18	(2)10-32	SAZ-4201BW
100	12	4	I	F90	0.28 Slots	2.19 In	3.1	8.5		5/16-18	(2)10-32	SAZ-4201N
100	12	4	I	F90	0.28 Slots	2.19 In	3.1	8.5	F	5/16-18	(2)10-32	SAZ-4201CG
100	12	4	I	F90	0.28 Slots	2.19 In	3.1	8.5	M	5/16-18	(2)10-32	SAZ-4201CPY
100	12	4	I	F90	0.28 Slots	2.19 In	3.1	8.5	P,T	5/16-18	(2)10-32	SAZ-4201AR
100	12	4	I	F90	0.28 Slots	2.19 In	3.1	8.5	T,F	5/16-18	(2)10-32	SAZ-4201DV
100	12	4	I	C222	0.28 Slots	56 Deg	3.1	8.5		5/16-18	(2)10-32	SAZ-4201CB
100	12	4	HDI	F90	0.28 Slots	2.19 In	4.1	8.5	P,M,T	5/16-18	(2)10-32	SAZ-4201BGY
100	12	4	HDI	F90	0.28 Slots	2.19 In	4.1	8.5	S,P,M,T	5/16-18	(2)10-32	SAZ-4201BBY
100	12	4	HDI	F90	0.28 Slots	2.19 In	4.1	9	W	5/16-18	(2)10-32	SAZ-4201EW
100	12	4	HDI	C222	0.28 Slots	56 Deg	4.1	9		5/16-18	(2)10-32	SAZ-4201AG
100	12	4	HDI	C222	0.28 Slots	56 Deg	4.1	9	M	5/16-18	(2)10-32	SAZ-4201AGY
100	12	4	C	F180	0.275 Holes	2.62 In	15.5	8.5		5/16-18	(2)10-32	SAZ-4201B
100	24	1	I	F180	0.275 Holes	2.62 In	10.7	16	P,D	5/16-18	(2)10-32	SAZ-4401AA
100	24	1	I	F180	0.275 Holes	2.62 In	10.7	16	D	5/16-18	(2)10-32	SAZ-4401AB
100	24	1	I	F180	0.28 Slots	2.62 In	10.7	16	D	5/16-18	(2)10-32	SAZ-4401X
100	24	1	HDI	C222	0.28 Slots	56 Deg	14.3	18		5/16-18	(1)10-32	SAZ-4401G
100	24	1	C	F90	0.28 Slots	2.19 In	58.3	18		5/16-18	(1)10-32	SBC-4401A
100	24	2	I	F90	0.28 Slots	2.19 In	10.7	16		5/16-18	(2)10-32	SAZ-4401
100	24	2	I	F90	0.28 Slots	2.19 In	10.7	16	W	5/16-18	(2)10-32	SAZ-4401R
100	24	2	I	C222	0.28 Slots	56 Deg	10.7	16		5/16-18	(2)10-32	SAZ-4401AC
100	24	2	HDI	F90	0.28 Slots	2.19 In	14.3	18	W	5/16-18	(2)10-32	SAZ-4401W
100	24	2	HDI	F180	0.275 Holes	2.62 In	14.3	18	T	5/16-18	(2)10-32	SAZ-4401U
100	24	2	C	F90	0.28 Slots	2.19 In	58.3	18		5/16-18	(2)10-32	SBC-4401B
100	24	2	C	F90	0.28 Slots	2.19 In	58.3	18	C,W	5/16-18	(2)10-32	SBC-4401C
100	24	2	C	F180	0.28 Slots	2.57 In	58.3	18	C,W,A	5/16-18	(2)10-32	SBC-4401E
100	24	2	C	L	0.28 Slots	2.32 In	58.3	18		5/16-18	(2)10-32	SBC-4401G
100	24	2	C	None	None	N/A	58.3	18	A	5/16-18	(2)10-32	SBC-4401D
100	36	2	HDI	F180	0.28 Slots	2.62 In	58.3	18		5/16-18	(2)10-32	SBC-4301C
100	36	2	C	F180	0.275 Holes	2.62 In	102	25.5		5/16-18	(2)10-32	SBC-4301B

CONTACT AMETEK/PRESTOLITE POWER FOR SPECIFICATIONS AND APPLICATION ASSISTANCE

PLASTIC CASE SOLENOIDS

Standard Designs-Type SAZ and SBC Solenoids

Prestolite will custom-design solenoids to meet specific customer requirements, but also offers a wide range of standard designs. Units shown are normally available from stock at our distribution center in Troy, Ohio. For application assistance and detailed technical specifications, please contact Prestolite.

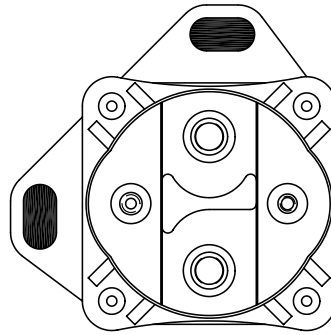
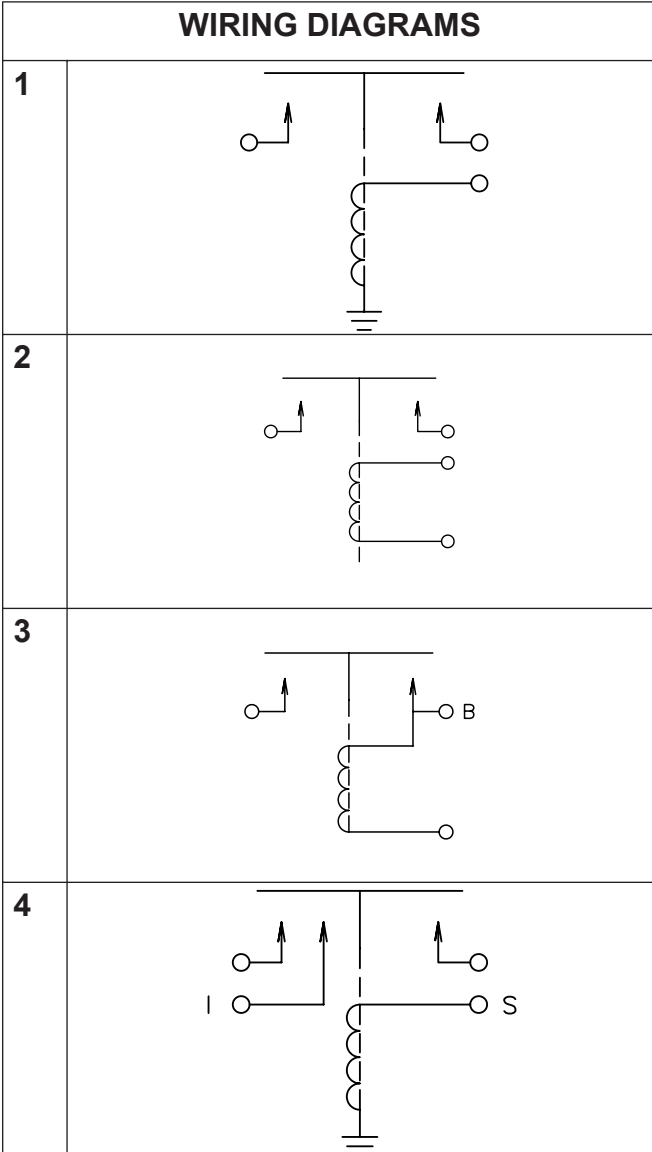
Standard Features

- ❖ SPST-NO Contacts
- ❖ Plastic Case Construction
- ❖ 60,000 Cycle Electrical Life
- ❖ Terminal Hardware Available

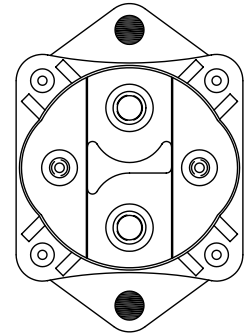
Carry Amps	Coil Volts	Wiring Diag	Coil Duty	Mounting Bracket	Mounting Provisions	Mounting Centers	Coil Ohms	Pickup Volts	Optional Features	Load Terminals	Coil Terminals	Part Number
100	7	2	C	F90	0.28 Slots	2.19 in	5.2	5		5/16-18	(2)10-32	SBC-4601A
100	12	1	I	F180	0.275 Holes	2.62 in	3.1	6		5/16-18	(1)10-32	SAZ-4201BX
100	12	1	I	F90	0.28 Slots	2.19 in	3.1	8.5		5/16-18	(1)10-32	SAZ-4201AD
100	12	1	I	F90	0.28 Slots	2.19 in	3.1	8.5		5/16-18	(1)10-32	SAZ-4201AJ
100	12	1	I	F90	0.28 Slots	2.19 in	3.1	8.5		5/16-18	(1)10-32	SAZ-4201E
100	12	1	I	F90	0.28 Slots	2.19 In	3.1	8.5	F	5/16-18	(1)10-32	SBC-4201CH
100	12	1	I	F90	0.28 Slots	2.19 In	3.1	8.5	F	5/16-18	(1)10-32	SBC-4201CR
100	12	1	I	F90	0.28 Slots	2.19 In	3.1	8.5	P	5/16-18	(1)10-32	SBC-4201AC
100	12	1	I	F90	0.28 Slots	2.19 in	3.1	8.5	S,C,M,T	5/16-18	(1)10-32	SBC-4201ENY
100	12	1	I	F90	0.28 Slots	2.19 in	3.1	8.5	T,F	5/16-18	(1)10-32	SBC-4201DW
100	12	1	I	F90	0.28 Slots	2.19 in	3.1	8.5	T,F	5/16-18	(1)10-32	SBC-4201DX
100	12	1	I	F90	0.28 Slots	2.19 in	3.1	8.5	T,F	5/16-18	(1)10-32	SAZ-4201EA
100	12	1	I	F90	0.28 Slots	2.19 in	3.1	8.5	T,F	5/16-18	(1)10-32	SAZ-4201FE
100	12	1	I	F90	0.28 Slots	2.19 In	3.1	8.5	T,F	5/16-18	(1)10-32	SAZ-4201FF
100	12	1	I	F180	0.275 Holes	2.62 In	3.1	8.5	T,F	5/16-18	(1)10-32	SAZ-4201EJ
100	12	1	I	F180	0.275 Holes	2.62 In	3.1	8.5		5/16-18	(1)10-32	SAZ-4201FK
100	12	1	I	C222	0.28 Slots	56 Deg	3	6		5/16-18	(1)10-32	SAZ-4201FP
100	12	1	HDI	F90	0.28 Slots	2.19 In	4.1	8.5	S,P,M,T	5/16-18	(1)10-32	SAZ-4201ANY
100	12	1	HDI	F90	0.28 Slots	2.19 In	4.1	8.5	A,S,C,M,T	5/16-18	(1)10-32	SAZ-4201ELY
100	12	1	HDI	F90	0.28 Slots	2.19 In	4.1	9		5/16-18	(1)10-32	SAZ-4201BA
100	12	1	HDI	F90	0.28 Slots	2.19 In	4.1	9		5/16-18	(1)10-32	SAZ-4201X
100	12	1	HDI	F90	0.28 Slots	2.19 In	4.1	9	T,F	5/16-18	(1)10-32	SAZ-4201FD
100	12	1	HDI	C222	0.28 Slots	56 Deg	4.1	9		5/16-18	(1)10-32	SAZ-4201BJ
100	12	1	C	F90	0.28 Slots	2.19 In	15.5	8.5		5/16-18	(1)10-32	SBC-4201D
100	12	1	C	F180	0.275 Holes	2.62 In	15.5	8.5		5/16-18	(1)10-32	SBC-4201
100	12	1	C	F180	0.275 Holes	2.62 In	15.5	8.5		5/16-18	(1)10-32	SBC-4201E
100	12	1	C	C222	0.28 Slots	56 Deg	15.5	8.5		5/16-18	(1)10-32	SBC-4201AC
100	12	1	C	L	0.28 Slots	2.32 In	15.5	8.5		5/16-18	(1)10-32	SBC-4201G
100	12	2	I	F180	0.275 Holes	2.62 In	3.1	8	P	5/16-18	(2)10-32	SAZ-4201BC
100	12	2	I	F90	0.28 Slots	2.19 In	3.1	8.5		5/16-18	(2)10-32	SAZ-4201J
100	12	2	I	F90	0.28 Slots	2.19 In	3.1	8.5	S,P,W	5/16-18	(2)10-32	SAZ-4201CJ
100	12	2	I	F180	0.26 Holes	2.62 In	3.1	8.5	P,G,T	5/16-18	(2)10-32	SAZ-4201AB
100	12	2	I	F180	0.26 Holes	2.62 In	3.1	8.5	S,P,G,M,T	5/16-18	(2)10-32	SAZ-4201ABY
100	12	2	HDI	F90	0.28 Slots	2.19 In	4.1	9	W	5/16-18	(2)10-32	SAZ-4201BR
100	12	2	HDI	F90	0.28 Slots	2.19 In	4.1	8.5	S,P,T,W	5/16-18	(2)10-32	SAZ-4201FN
100	12	2	HDI	F90	0.28 Slots	2.19 In	4.1	8.5	P,T	5/16-18	(2)10-32	SAZ-4201AL

PLASTIC CASE SOLENOIDS

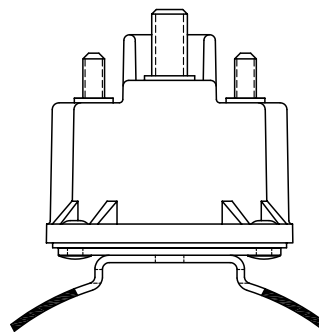
WIRING DIAGRAMS



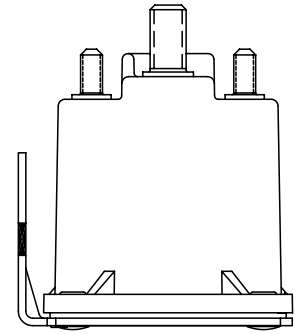
F90
FLAT



F180
FLAT



C222
CURVED 2.22" RADIUS



L
90 DEG. RIGHT ANGLE

COIL RATINGS

Code	Type	Duty Cycle	Max "On" Time
I	Intermittent	25%	2 Minutes
HDI	HD Intermittent	25%	10 Minutes
C	Continuous	100%	N/A

OPTIONAL FEATURES

A	Special Assembly
C	Circle Potted Coil
D	Dummy Coil Terminal
F	Diode on Coil
G	Shock-Mount Baseplate
M	Marinized to SAE-J1171
P	Potted Coil Leads
S	Stainless Steel Plunger Pin
T	Stainless Steel Baseplate
W	Sealed Case

Codes and Abbreviations

CURRENT RATINGS

Volts	Inrush	Break
12	600	200
24	600	150
36	600	125
48	0	75

TERMINAL HARDWARE

To receive Terminal Hardware. Add one of the following suffixes to the Part Number:

-1	Hardware on Terminals
-2	Hardware Bulk-Packed
-3	Special Hardware

AMETEK/Prestolite Switch, US Office
2220 Corporate Drive, Troy, Ohio 45373
OEM Sales (937) 440-0843 Fax: (937) 440-0881
Aftermarket Sales 866-879-3204 Fax: 866-879-3205
E-Mail: orders.prestoliteswitch@ametek.com

AMETEK/Prestolite Switch, International Sales
Ipswich Road, Cardiff CF239XP, Wales, UK
44 (0) 29 2049 6763 Fax: 44 (0) 29 2046 2337
E-Mail: cardiff@prestolite.co.uk