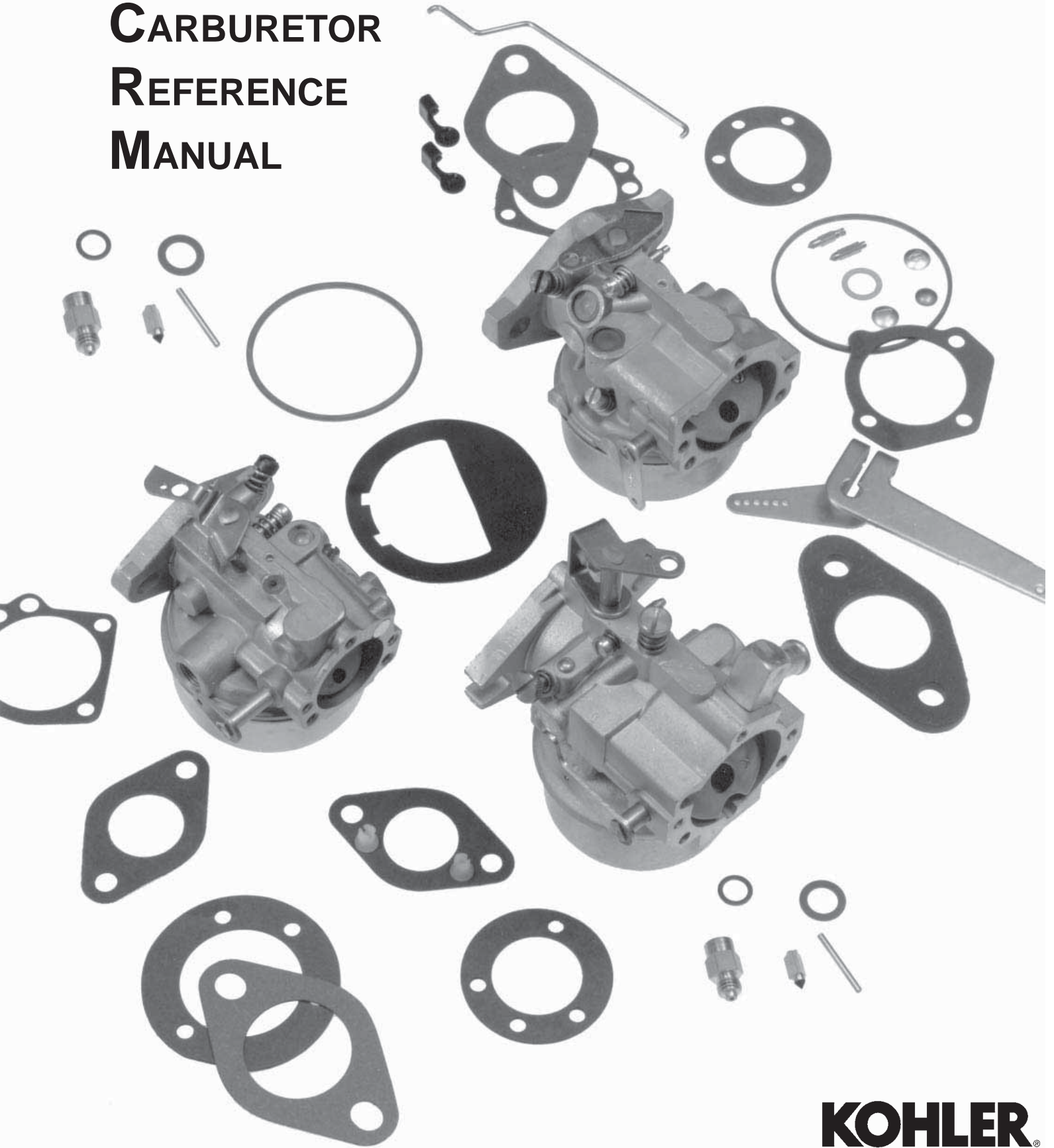


CARBURETOR
REFERENCE
MANUAL



This reference manual contains information on the various types of carburetors used on Kohler engines. Sections 1-3 give correct information for replacing the Kohler Adjustable Carburetors with Walbro Carburetors. Section 1 is a part number cross reference to assist you in selecting the proper replacement carburetor or carburetor kit. Section 2 contains recommended carburetor adjustment procedures for Kohler and Walbro carburetors, and preliminary needle settings for Magnum and K-Series Engine Models. Section 3 is the service parts listing for those same Engine Models.

The sections following these first three contain current service parts information on current products. These sections are set up to show the carburetor number embossed on the mounting flange of the carburetor. (This number is for reference only. These part numbers are not available for service.) The tables show the serviceable parts available for that carburetor number. Some of these carburetors still have piece parts available and some of them are serviced with kits only.

The cross reference listing will be periodically updated to reflect part number supersessions. All information in this manual is subject to change. For additional service and repair information see the appropriate service manual for your model engine.

Section 1

Carburetor Cross Reference

How To Use This Cross Reference

1. Prior to the serial breaks listed, use an original Kohler adjustable jet carburetor when available from Distributor's stock.

Where serial breaks are not listed, and the engine was built with an original Kohler adjustable jet carburetor, use an original Kohler adjustable jet carburetor.

2. If an original Kohler adjustable jet carburetor is no longer available, and the engine serial number is prior to the serial break, order the corresponding Walbro fixed or adjustable jet carburetor kit.

If the engine serial number is at or after the serial break, determine the part number of the carburetor installed on the engine. (The part number is stamped on the carburetor mounting flange.)

3. Locate the carburetor part number (from step 2) in either the "Walbro Fixed Jet Carb" column or "Walbro Adj Jet Carb" column. Use the corresponding carburetor kit.

4. If a Walbro fixed jet carburetor kit is no longer available from Kohler Co./Distributor stock, use the corresponding Walbro adjustable jet kit.

NOTE: Carburetors listed in the "Walbro Fixed Jet Carb" column and "Walbro Adj Jet Carb" column are for reference only. Always order the corresponding carburetor kit.

Carburetor kits include a carburetor assembly, gasket and/or linkage.

Engine Model	Original Kohler Adj. Carb.	Serial Break	Walbro Fixed Jet Carb. Kit*	Walbro Fixed Jet Carb.	Walbro Adj. Jet Carb. Kit*	Walbro Adj. Jet Carb.
K91						
	G-220517	2018300019	—	—	46 853 01	46 053 05
K161						
	41 053 13	1915100012	—	—	41 853 11	41 053 32
K181/M8						
	C-231738	—	41 853 01	41 053 21	41 853 06	41 053 28 41 053 34
	B-231739	1814800012	41 853 02	41 053 22	41 853 08	41 053 33 41 053 29
	41 053 01	1813100012	41 853 03	41 053 23	41 853 09	41 053 37 41 053 30
	41 053 13	1915000012	—	—	41 853 11	41 053 32
	41 053 18	1813300012	41 853 04	41 053 26 41 053 24	41 853 07	41 053 27
	41 053 20	1823000012	—	—	41 853 10	41 053 31
	—	—	—	—	41 853 12	41 053 36
	—	—	41 853 13	41 053 38	—	—
K241-301,M10-12						
	47 053 07	1724400013	47 853 09	47 053 65	47 853 20	47 053 86
	47 053 08	1724400013	47 853 09	47 053 65	47 853 20	47 053 86
	47 053 12	1723800013	47 853 01	47 053 66	47 853 21	47 053 87
	47 053 13	1725405693	47 853 02	47 053 67	47 853 22	47 053 88 77 053 08
	47 053 14	1723900013	47 853 03	47 053 68	47 853 23	47 053 89
	47 053 24	1723900013	47 853 15	47 053 83	47 853 26	47 053 92
	47 053 29	1727100013	47 853 07	47 053 72	47 853 24	47 053 90
	47 053 40	1727207134	47 853 10	47 053 74	47 853 25	47 053 91
	47 053 62	1725300013	47 053 09	47 053 65	47 853 20	47 053 86
	47 053 80	1726700013	47 853 18	47 053 84	47 853 27	47 053 93
	—	—	47 853 39	77 053 10	—	—
	—	—	47 853 40	77 053 11	—	—
K321,M14						
	47 053 03	1733700013	47 853 08	47 053 64	47 853 29	47 053 96
	47 053 09	1733700013	47 853 08	47 053 64	47 853 29	47 053 96
	47 053 15	1735210504	47 853 04	47 053 69	47 853 30	77 053 07(KA) 47 053 97(WA)
	47 053 16	1733600013	47 853 05	47 053 70	47 853 31	47 053 98
	47 053 17	1733700013	47 853 16	47 053 81	47 853 36	77 053 04
	47 053 20	1733700013	47 853 06	47 053 71	47 853 32	47 053 99
	47 053 30	1733700013	47 853 17	47 053 82 77 053 05	47 853 35	77 053 03
	47 053 35	1725200013	47 853 19	47 053 85	47 853 28	47 053 94
	47 053 41	1812410383	47 853 11	47 053 75	47 853 33	77 053 06(KA) 77 053 01(WA)
	47 053 63	1734308964	47 853 08	47 053 64	47 853 29	47 053 96
	47 053 78	1733600013	47 853 14	47 053 79	47 853 34	77 053 02
					47 853 38	77 053 09

*Includes carburetor, gasket, and/or linkage.

Engine Model	Original Kohler Adj. Carb.	Serial Break	Walbro Fixed Jet Carb. Kit*	Walbro Fixed Jet Carb.	Walbro Adj. Jet Carb. Kit*	Walbro Adj. Jet Carb.
K341,M16						
	45 053 08	1806000013	45 853 05	45 053 75	45 853 12	45 053 88(KA) 45 053 83(WA)
	45 053 09	1802100013	45 853 05	45 053 75	45 853 12	45 053 88(KA) 45 053 83(WA)
	45 053 12	1805500013	45 853 02	45 053 71	45 853 08	45 053 79
	45 053 20	1809800013	45 853 01	45 053 72	45 853 09	45 053 87(KA) 45 053 80(WA)
	45 053 26	1802200013	45 853 06	45 053 73	45 853 10	45 053 81
	45 053 68	1812408663	45 853 04	45 053 74	45 853 11	45 053 86(KA) 45 053 82(WA)
	45 053 70	1802100013	45 853 05	45 053 75	45 853 12	45 053 88(KA) 45 053 83(WA)
	45 053 76	1808809063	45 853 07	45 053 78	45 853 13	45 053 84
	45 053 77	—	45 053 07	45 053 78	45 853 13 45 853 15 45 853 16	45 053 84(WA) 45 053 89(KA) 45 053 90(WA)
	—	—	45 853 17-S	45 053 91	—	—
	—	—	45 853 18-S	45 053 92	—	—
K582						
	48 053 06	—	—	—	—	—
KT17-19/M18-MV20						
KT17/M18	52 053 09	1630206306	52 853 07	52 053 26 52 053 31 52 053 36	52 853 23	52 053 50 52 053 66
KT17/M18	52 053 18	1629500996	25 853 04	52 053 27 52 053 32 52 053 34	52 853 30	52 053 51
KT17/M18	52 053 28	1720308366	52 853 21	52 053 37	52 853 24	52 053 52
M18	—	—	—	—	52 853 33	52 053 52
M18/M20	—	—	—	—	52 853 31 52 853 32	52 053 60 52 053 69
KT19/M20	52 053 09	1919504216	52 853 01	52 053 20 52 053 46	52 853 27	52 053 58 52 053 63
KT19/M20	52 053 18	1919504216	52 853 02	52 053 21 52 053 47	52 853 28	52 053 59
M20	—	—	52 853 22	52 053 38	52 835 26 52 853 34	52 053 56 52 053 56
MV16/MV18	—	—	52 853 09 52 853 05	52 053 34 52 053 27	52 853 25 52 853 25	52 053 54 52 053 54
MV20	—	—	Not Available	52 053 21	52 853 29	52 053 55

*Includes carburetor, gasket, and/or linkage.

Section 2

Carburetor Adjustment

Kohler engines are equipped with one of two basic types of carburetors – *Kohler* or *Walbro* – *fixed main jet* or *adjustable main jet*. This section covers the carburetor adjustment procedures for all Kohler engines.

Kohler carburetor adjustments are covered on pages **2.1 & 2.2**. Walbro carburetor adjustments are covered on pages **2.2 & 2.3**. Preliminary settings for both type carburetor is on page **2.4**.

The carburetor is designed to deliver the correct fuel-to-air mixture to the engine under all operating conditions. The main fuel and low idle fuel needles on adjustable jet carburetors are set at the factory and normally do not need further adjustment. On fixed jet carburetors, the low idle fuel needle is also set at the factory and normally does not need further adjustment. The main fuel jet is calibrated and installed at the factory and is not adjustable*.

NOTE: * Engines operating at altitudes above approximately 1830 m (6000 ft.) may require a special “high altitude” main jet.

Troubleshooting

If engine troubles are experienced that appear to be fuel system related, check the following areas *before adjusting the carburetor*.

- Make sure the fuel tank is filled with clean, fresh gasoline.
- Make sure the fuel tank cap vent is not blocked and that it is operating properly.
- Make sure fuel is reaching the carburetor. This includes checking the fuel shut-off valve, fuel tank filter screen, in-line fuel filter, fuel lines, and fuel pump for restrictions or faulty components as necessary.
- Make sure the air cleaner base and carburetor is securely fastened to the engine using gaskets in good condition.

- Make sure the air cleaner element is clean and all air cleaner components are fastened securely.
- Make sure the ignition system, governor system, exhaust system, and throttle and choke controls are operating properly.

If, after checking the items listed above, starting or engine operation problems exist, it may be necessary to adjust the carburetor.

NOTE: Carburetor adjustments should be made only after the engine has warmed up.

Kohler Carburetor Adjustment

In general, turning the adjusting needles **in** (clockwise) decreases the supply of fuel to the carburetor. This gives a *leaner* fuel-to-air mixture. Turning the adjusting needles **out** (counterclockwise) increases the supply of fuel to the carburetor. This gives a *richer* fuel-to-air mixture. Setting the needles **midway** between the lean and rich positions will usually give the best results.

Adjust the carburetor as follows:

1. With the engine stopped, turn the low idle fuel adjusting needle **in** (clockwise) until it bottoms *lightly*.

NOTE: The tip of the low idle fuel and main fuel adjusting needles are tapered to critical dimensions. Damage to the needles and the seats in carburetor body will result if the needles are forced.

2. **Preliminary Settings:** Turn the adjusting needles **out** (counterclockwise) from lightly bottomed according to the table shown in Figure **2-5**.
3. Start the engine and run at half throttle for five to ten minutes to warm up. The engine must be warm before making final settings steps 4, 5, 6, and 7).

- Main Fuel Needle Setting:** *This adjustment is required only for adjustable main jet carburetors. If the carburetor is a fixed main jet type, refer to Walbro adjustment.*

Place the throttle into the “fast” position. If possible, place the engine under load.

Turn the main fuel adjusting needle **out** (counterclockwise) from the preliminary setting until the engine speed decreases (rich). Note the position of the needle.

Now turn the adjusting needle **in** (clockwise). The engine speed may increase, then it will decrease as the needle is turned in (lean). Note the position of the needle.

Set the adjusting needle **midway** between the rich and lean settings. See Figure 2-1.

- Low Idle Speed Setting:** Place the throttle control into the “idle” or “slow” position. Set the low idle speed to **1200 RPM*** (+ or – 75 RPM) by turning the low idle speed adjusting screw **in** or **out**. Check the speed using a tachometer.

***NOTE:** The actual low idle speed depends on the application. Refer to the equipment manufacturer’s instructions for specific low idle speed settings. The recommended low idle speed for the Basic Engines is 1200 RPM. To ensure best results when setting the low idle fuel needle, the low idle speed must not exceed 1500 RPM.

- Low Idle Fuel Needle Setting:** Place the throttle into the “idle” or “slow” position.

Turn the low idle fuel adjusting needle **out** (counterclockwise) from the preliminary setting until the engine speed decreases (rich). Note the position of the needle.

Now turn the adjusting needle in (clockwise). The engine speed may increase, then it will decrease as the needle is turned in (lean). Note the position of the needle.

Set the adjusting needle midway between the rich and lean settings. See Figure 2-1.

- Recheck the low idle speed using a tachometer. Readjust the speed as necessary.

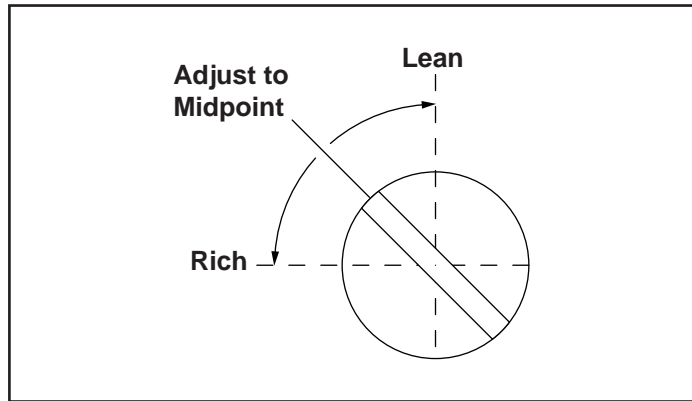


Figure 2-1. Optimum Low Idle Fuel Setting.

Walbro Carburetor Adjustment

In general, turning the adjusting needles in (clockwise) decreases the supply fuel to the carburetor. This gives a *leaner* fuel-to-air mixture. Turning the adjusting needles **out** (counterclockwise) increase the supply of fuel to the carburetor.

Adjust the carburetor as follows, see Figure 2-2 for needle locations.

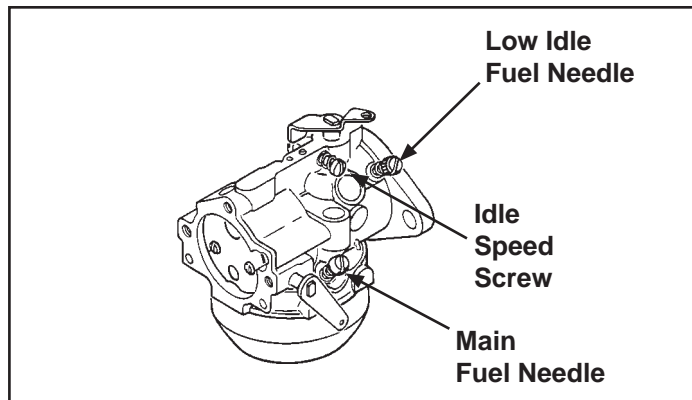


Figure 2-2. Adjusting Needle Locations.

NOTE: The tip of the low idle fuel and main fuel adjusting needles are tapered to critical dimensions. Damage to the needles and the seats in carburetor body will result if the needles are forced.

Refer to Figure 2-5 for preliminary settings.

- With the engine stopped, turn the adjusting needle(s) **in** (clockwise) until it bottoms *lightly*.

2. **Preliminary Settings:** Turn the adjusting needle(s) **out** (counterclockwise) from lightly bottomed according to the table shown in Figure 2-5, or to the rich side of adjustment.
3. Start the engine and run at half throttle for five to ten minutes to warm up. The engine must be warm before making final settings.
4. **Main Fuel Needle Setting:** *This adjustment is required only for adjustable main jet carburetors. If the carburetor is a fixed main jet type, disregard this setting.*

Place the throttle into the “fast” position.

Turn the adjusting needle **in** (clockwise). The engine speed may increase, then it will decrease as the needle is turned in (lean). Note the position of the needle. Back the needle out approximately 1/8 to 1/4 turn. See Figure 2-3 for best main fuel performance.

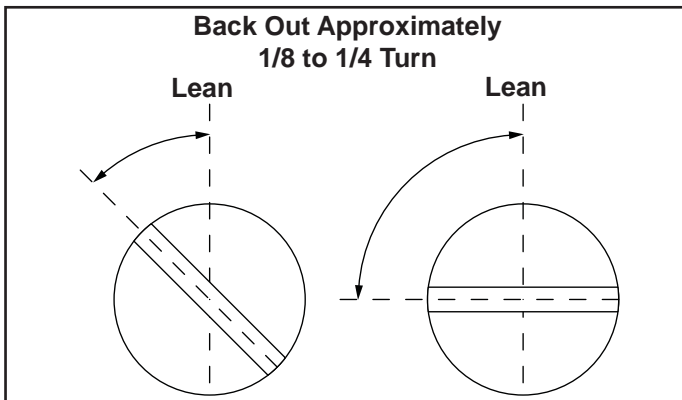


Figure 2-3. Optimum Main Fuel Setting.

5. **Low Idle Speed Setting:** Place the throttle control into the “idle” or “slow” position. Set the low idle speed to **1200 RPM*** (+ or – 75 RPM) by turning the low idle speed adjusting screw **in** or **out**. Check the speed using a tachometer.

***NOTE:** The actual low idle speed depends on the application. Refer to the equipment manufacturer’s instructions for specific low idle speed settings. To ensure best results when setting the low idle fuel needle, the low idle speed must not exceed 1500 RPM.

6. **Low Idle Fuel Needle Setting:** Place the throttle into the “idle” or “slow” position.

Turn the adjusting needle **in** (clockwise). The engine speed may increase, then it will decrease as the needle is turned in (lean). Note the position of the needle.

Back the needle out approximately 1/8 to 1/4 turn. See Figure 2-4 for best low idle fuel performance.

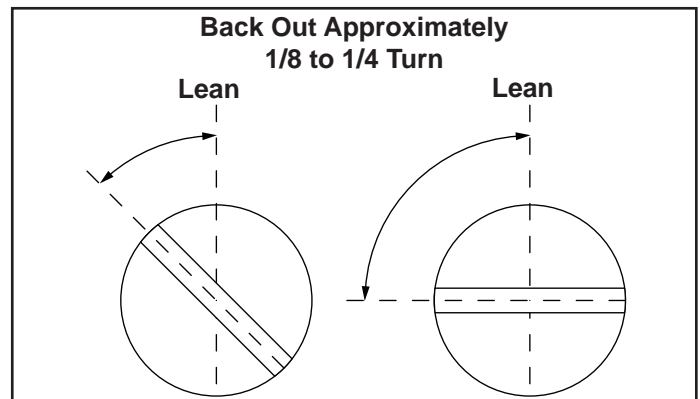


Figure 2-4. Optimum Low Idle Fuel Setting.

Preliminary Settings

K-Series Models					
	Kohler Adjustable Jet		Walbro Fixed Jet	Walbro Adjustable Jet	
	Low Idle	High Idle	Low Idle	Low Idle	Main Fuel
K91	1-1/2 turns	2 turns	Not Applicable	1-3/4 turns	3/4 turn
K141	1-1/2 turns	3 turns	Not Applicable	Not Applicable	Not Applicable
K161*	1-1/2 turns	3 turns	Not Applicable	2-1/4 turns	1-1/8 turns
K181*	1-1/4 turns	2 turns	2-1/2 turns	2-1/2 turns	3/4 turn
K241	2-1/2 turns	2 turns	1-1/4 turns	1-3/4 turns	1-1/8 turns
K301	2-1/2 turns	2 turns	1-1/2 turns	1-3/4 turns	1-1/8 turns
K321	2-1/2 turns	3-1/4 turns	1-1/2 turns	1-1/8 turns	1-1/4 turns
K341	2-1/2 turns	3-1/2 turns	1 turn	2-1/2 turns	1-1/4 turns
KT17	1 turn	2-1/2 turns	1-1/4 turns	1-1/4 turns	1-1/4 turns
KT19	1 turn	2-1/2 turns	1-1/4 turns	1-1/4 turns	1 turn
K582	1-1/4 turns	3 turns	Not Applicable	To Be Determined	To Be Determined
*Includes "New Look" Models					
Magnum Models					
	Kohler Adjustable Jet		Walbro Fixed Jet	Walbro Adjustable Jet	
	Low Idle	High Idle	Low Idle	Low Idle	Main Fuel
M8	1-1/4 turns	2 turns	2-1/2 turns	2-1/2 turns	3/4 turn
M10	2-1/2 turns	2 turns	1-1/4 turns	1-3/4 turns	1-1/8 turns
M12	2-1/2 turns	2 turns	1-1/4 turns	1-3/4 turns	1-1/8 turns
M14	2-1/2 turns	3-1/4 turns	1-1/2 turns	1-1/8 turns	1-1/4 turns
M16	2-1/2 turns	3-1/2 turns	1 turn	2 turns	7/8 turn
M18	1 turn	2-1/2 turns	1-1/4 turns	1-1/4 turns	1-1/4 turns
M20	1 turn	2-1/2 turns	1-1/4 turns	1-1/4 turns	1 turn
MV16/18	Not Applicable	Not Applicable	1-1/4 turns	1-1/4 turns	1-1/4 turns
MV20	Not Applicable	Not Applicable	1-1/4 turns	1-1/4 turns	1 turn
Command Models					
	Kohler Adjustable Jet		Walbro Fixed Jet	Walbro Adjustable Jet	
	Low Idle	High Idle	Low Idle	Low Idle	Main Fuel
C5	Not Applicable	Not Applicable	1 turn	Not Applicable	Not Applicable
CV12.5	Not Applicable	Not Applicable	1 turn	Not Applicable	Not Applicable

Figure 2-5. Preliminary Low Idle and Main Fuel Needle Settings.

Section 3

SERVICE PARTS LISTING

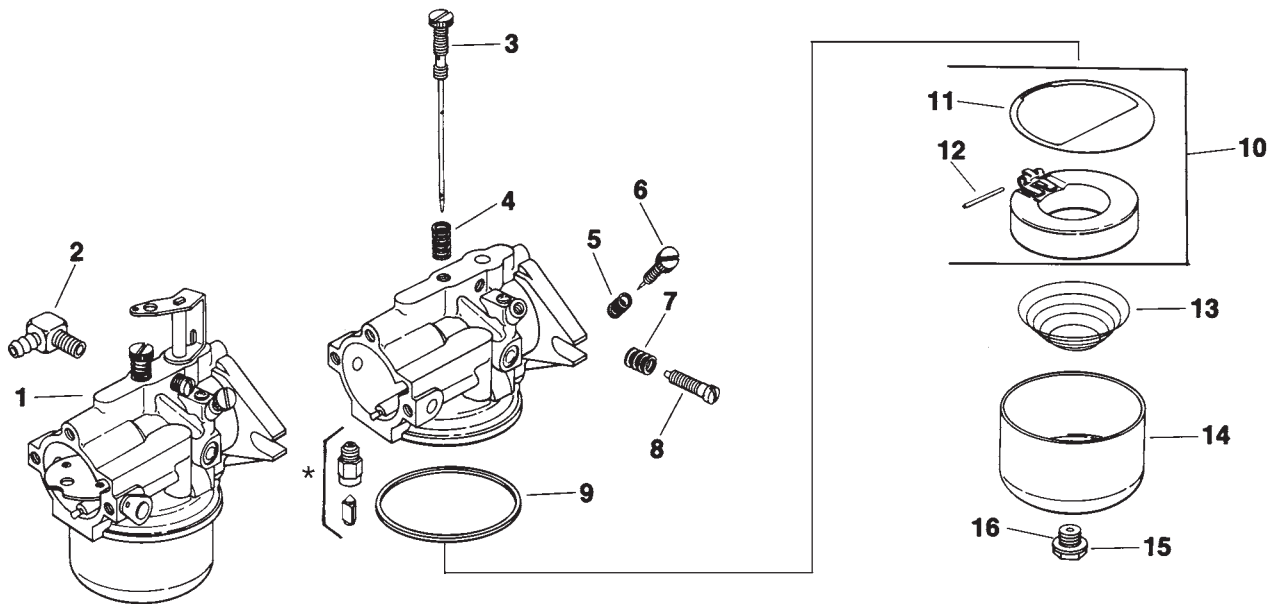
This section contains indexed illustrations and complete part number breakdowns for the Kohler adjustable and Walbro fixed/adjustable carburetors.

The Kohler carburetors are covered on pages **3.2–3.5**. 1/2" Walbro carburetors are covered on pages **3.6–3.7**. 1" Walbro carburetors are covered on pages **3.8–3.11**.

Here is a listing for quick reference of fixed main jets and high altitude jet kits and jet size.

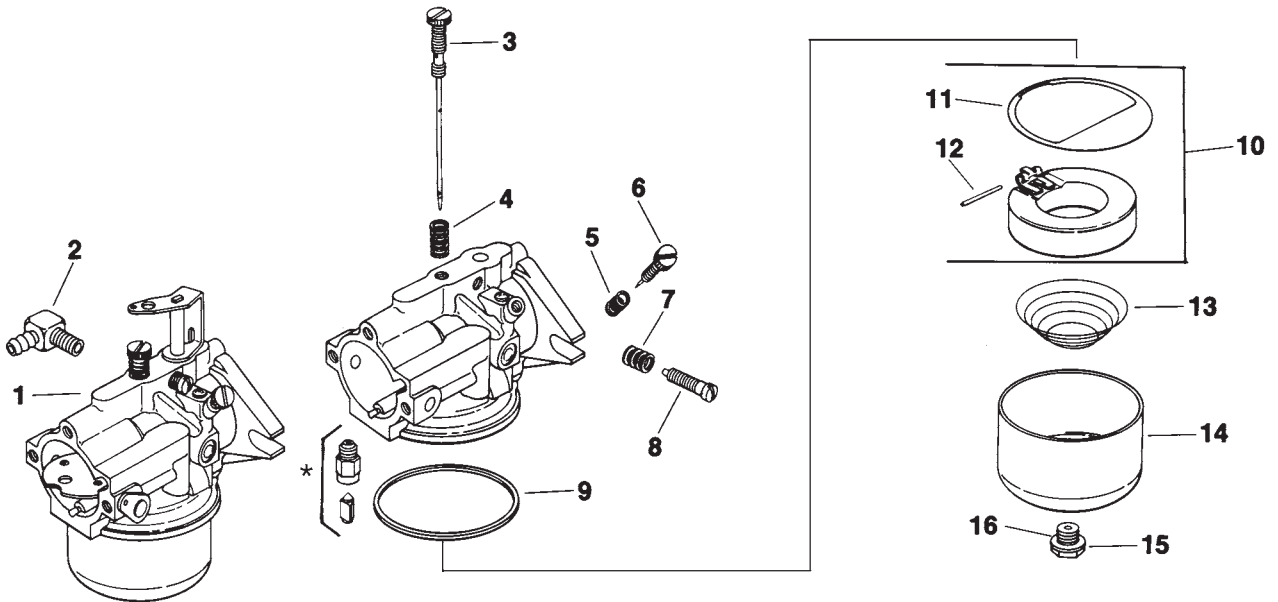
Fixed Main Jets	
Kohler Part No.	Jet Size
45 337 01	0.051
47 337 02	0.045
52 337 01	0.047
52 337 03	0.050
52 337 04	0.052
52 337 06	0.055
52 337 07	0.048
52 337 08	0.046
52 337 09	0.060

High Altitude Jet Kits	
Kohler Part No.	Jet Size
41 755 30	0.044
45 755 14	0.049
47 755 36	0.042
47 755 38	0.043
52 755 68	0.044
52 755 74	0.047
52 755 95	0.058
52 755 96	0.046
52 755 97	0.049
52 755 98	0.052



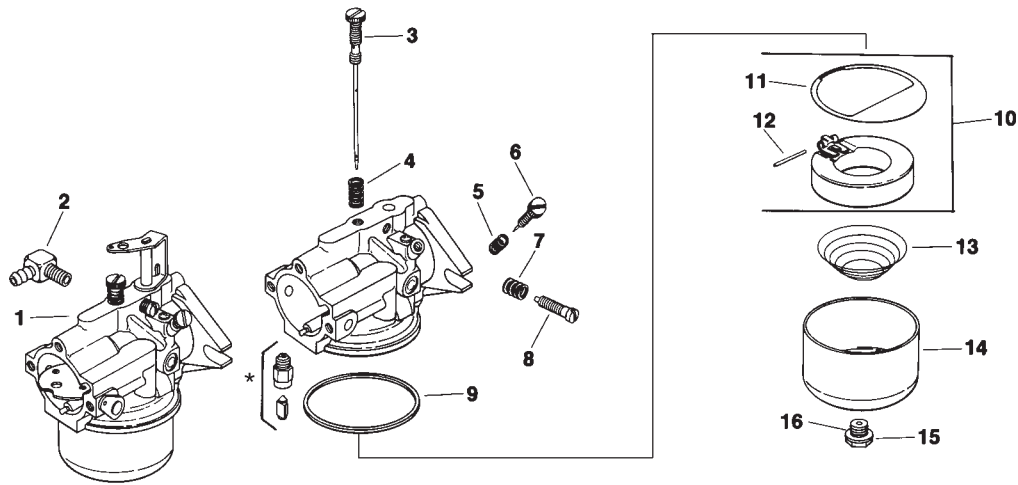
1/2" Kohler Adjustable Carburetor

Carburetor Part No. (1)	Connector, Hose (2)	Needle, Hi Speed Adjusting (3)	Spring, Hi Spd Needle (4)	Spring, Idle Needle (5)	Needle, Idle Adjusting (6)	Spring, Idle Screw (7)	Screw, Idle Adjusting (8)	Gasket, Bowl (9)	Float Kit (10)
G-220517	-	200410	200383	200380	200438	232555	232556	200375	25 757 03
C-231738	-	232635	200383	200380	200438	232555	232556	200375	25 757 03
B-231739	-	232635	200383	200380	200438	232555	232556	200375	25 757 03
41 053 01	X-391-9	232635	200383	200380	200438	232555	232556	200375	25 757 03
41 053 13	-	200410	200383	200380	200438	232555	232556	200375	25 757 03
41 053 18	-	232635	200383	200380	200438	232555	232556	200375	25 757 03
41 053 20	-	232635	200383	200380	200438	232555	232556	200375	25 757 03



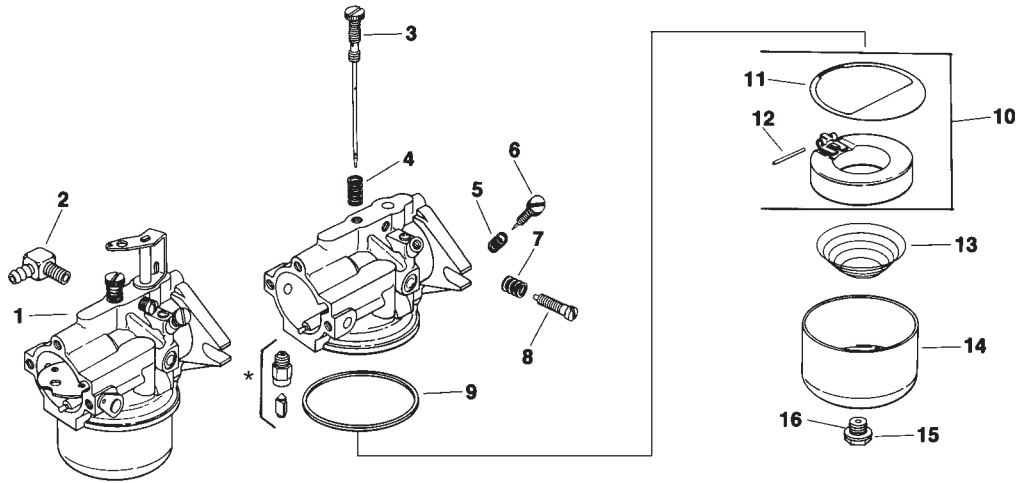
1/2" Kohler Adjustable Carburetor

Gasket, Bowl Baffle (11)	Pin, Float (12)	Spring, Float (13)	Bowl, Fuel (14)	Screw, Bowl Retainer (15)	Gasket, Bowl Ret. Screw (16)	Repair Kit	Shaft Repl Kit		Carburetor Part No. (1)
25 041 02	200376	-	200418	41 100 01	200372	25 757 01	25 757 04		G-220517
25 041 02	200376	-	200418	41 100 01	200372	25 757 01	25 757 04		C-231738
25 041 02	200376	-	200418	41 100 01	200372	25 757 01	25 757 04		B-231739
25 041 02	200376	-	200418	41 100 01	200372	25 757 01	25 757 04		41 053 01
25 041 02	200376	-	200418	41 100 01	200372	25 757 01	25 757 04		41 053 13
25 041 02	200376	-	200418	41 100 01	200372	25 757 01	25 757 04		41 053 18
25 041 02	200376	237917	200418	41 100 01	200372	25 757 01	25 757 04		41 053 20



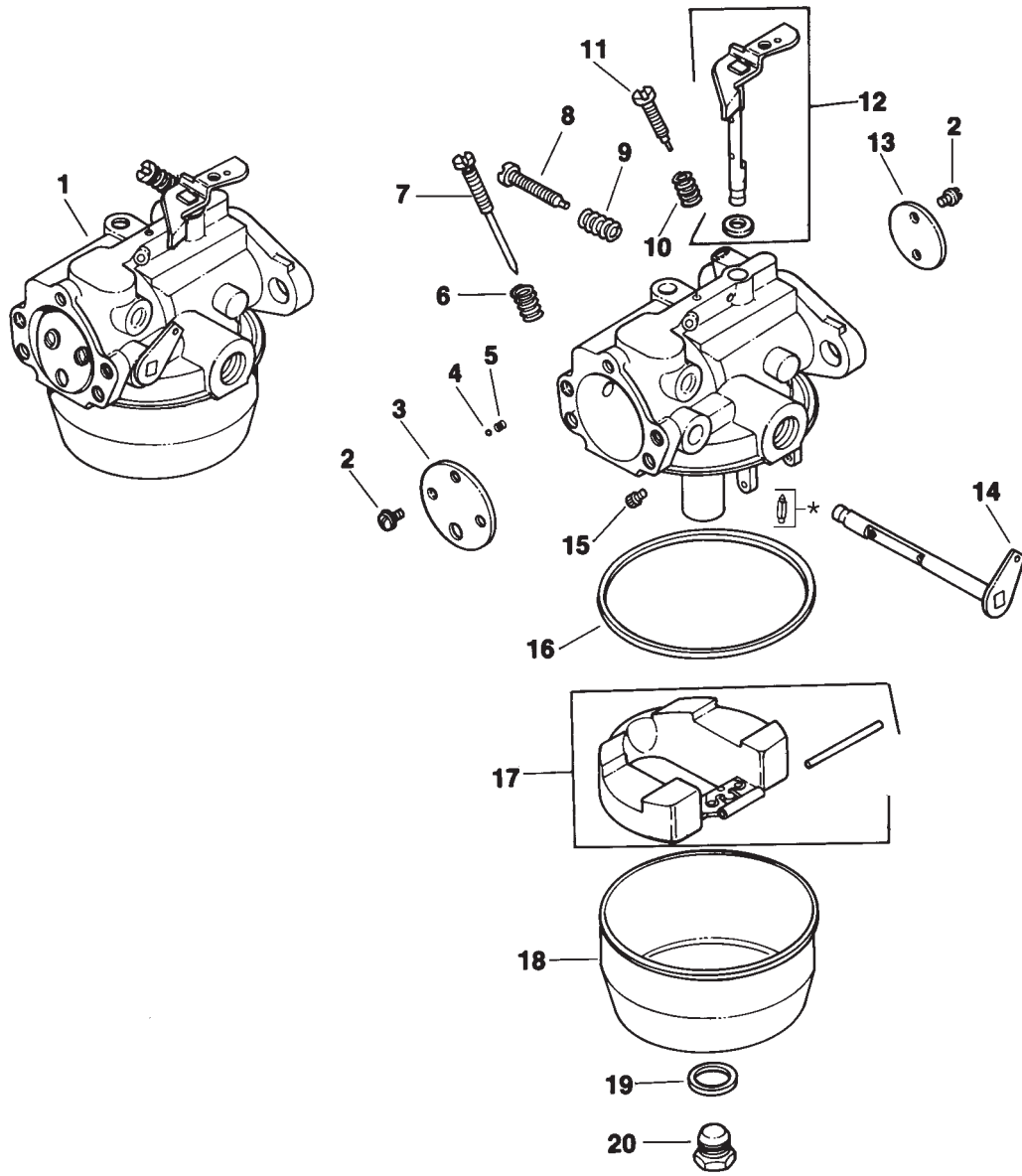
1" Kohler Adjustable Carburetor

Carburetor Part No. (1)	Connector Hose (2)	Needle, Hi Speed Adj (3)	Spring, Hi Spd Needle (4)	Spring, Idle Needle (5)	Needle, Idle Adj. (6)	Spring, Idle Screw (7)	Screw, Idle Adj (8)	Gasket, Bowl (9)	Float Kit (10)	Gasket, Bowl Baffle (11)
45 053 08		45 103 01	200383	200380	275231	232555	232556	200375	25 757 03	25 041 02
45 053 09		45 103 01	200383	200380	275231	232555	232556	200375	25 757 03	25 041 02
45 053 12		45 103 01	200383	200380	275231	232555	232556	200375	25 757 03	25 041 02
45 053 20		45 103 01	200383	200380	272531	232555	232556	200375	25 757 03	25 041 02
45 053 26	X-391-10	45 103 01	200383	200380	275231	232555	232556	200375	25 757 03	25 041 02
45 053 68		45 103 01	200383	200380	275231	232555	232556	200375	25 757 03	25 041 02
45 053 70		45 103 01	200383	200380	275231	232556	232556	200375	25 757 03	25 041 02
45 053 76	X-391-10	45 103 01	200383	200380	275231	232555	232556	200375	25 757 03	25 041 02
45 053 77	X-391-10	45 103 01	200383	200380	275231	232555	232556	200375	25 757 03	25 041 02
45 053 86		45 103 01	200383	200380	275231	232555	232556	200375	25 757 03	25 041 02
45 053 87		45 103 01	200383	200380	275231	232555	232556	200375	25 757 03	25 041 02
45 053 88		45 103 01	200383	200380	275231	232555	232556	200375	25 757 03	25 041 02
45 053 89		45 103 01	200383	200380	275231	232555	232556	200375	25 757 03	25 041 02
45 053 91		45 103 01	200383	200380	275231	232555	232556	200375	25 757 03	25 041 02
45 053 92									25 757 09	
47 053 03		47 103 01	200383	200380	275231	232555	232556	200375	25 757 03	25 041 02
47 053 07		235415	200383	200380	235006	232555	232556	200375	25 757 03	25 041 02
47 053 08		235415	200383	200380	235006	232555	232556	200375	25 757 03	25 041 02
47 053 09		47 103 01	200383	200380	275231	232555	232556	200375	25 757 03	25 041 02
47 053 12		235415	200383	200380	235006	232555	232556	200375	25 757 03	25 041 02
47 053 13		235415	200383	200380	235006	232555	232556	200375	25 757 03	25 041 02
47 053 14		235415	200383	200380	235006	232555	232556	230075	25 757 03	25 041 02
47 053 15		47 103 01	200383	200380	275231	232555	232556	200375	25 757 03	25 041 02
47 053 16		47 103 01	200383	200380	275231	232555	232556	200375	25 757 03	25 041 02
47 053 17		47 103 01	200383	200380	275231	232555	232556	200375	25 757 03	25 041 02
47 053 20	X-391-10	47 103 01	200383	200380	275231	232555	232556	200375	25 757 03	25 041 02
47 053 24		235415	200383	200380	235006	232555	232556	230075	25 757 03	25 041 02
47 053 29	X-391-10	235415	200383	200380	235006	232555	232556	200375	25 757 03	25 041 02
47 053 30		47 103 01	200383	200380	275231	232555	232556	200375	25 757 03	25 041 02
47 053 35		235415	200383	200380	235006	232555	232556	200375	25 757 03	25 041 02
47 053 40		235415	200383	200380	235006	232555	232556	200375	25 757 03	25 041 02
47 053 41		47 103 01	200383	200380	275231	232555	232556	200375	25 757 03	25 041 02
47 053 62		235415	200383	200380	235006	232555	232556	200375	25 757 03	25 041 02
47 053 63		47 103 01	200383	200380	275231	232555	232556	200375	25 757 03	25 041 02
47 053 78	X-391-10	47 103 01	200383	200380	275231	232555	232556	200375	25 757 03	25 041 02
47 053 80	X-391-10	235415	200383	200380	235006	232555	232556	200375	25 757 03	25 041 02
48 053 06		48 103 01	200383	200380	277210	200380	234945	200375	25 757 03	25 041 02
52 053 09		52 103 01	200383	200380	277210	232555	232556	200375	25 757 03	25 041 02
52 053 18		52 103 01	200383	200380	277210	232555	232556	200375	25 757 03	25 041 02
52 053 28		52 103 01	200383	200380	277210	232555	232556	200375	25 757 03	25 041 02
52 053 60	25 155 02	52 103 01	200383	200380	235006	232555	232556	200375	25 757 03	25 041 02
77 053 06		47 103 01	200383	200380	275231	232555	232556	200375	25 757 03	25 041 02
77 053 07		47 103 01	200383	200380	275231	232555	232556	200375	25 757 03	25 041 02



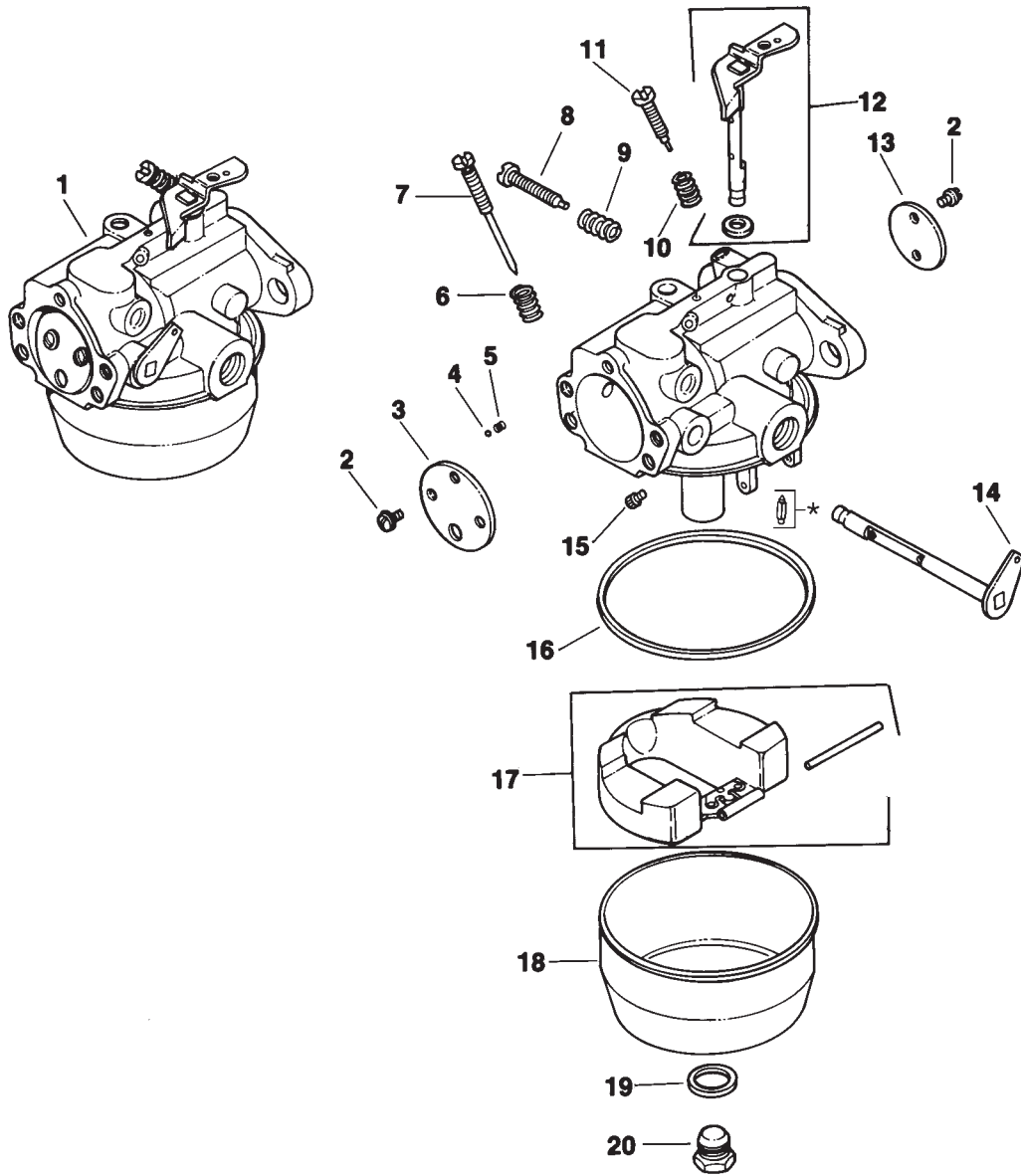
1" Kohler Adjustable Carburetor

Pin, Float (12)	Spring, Float (13)	Bowl, Fuel (14)	Screw, Bowl Retainer (15)	Gasket, Bowl Ret. Screw (16)	Repair Kit	Shaft Repl Kit	Swivel Clamp Kit	Solenoid Kit	Carburetor Part No. (1)
200376		235448	47 100 06	200372	25 757 01	25 757 05			45 053 08
200376		235448	47 100 06	200372	25 757 02	25 757 05			45 053 09
200376	237917	235448	47 100 06	200372	25 757 02	25 757 05			45 053 12
200376		235448	47 100 06	200372	25 757 02	25 757 05			45 053 20
200376		235448	47 100 06	200372	25 757 02	25 757 05			45 053 26
200376		235448	47 100 06	200372	25 757 02	25 757 05			45 053 68
200376		235448	47 100 06	200372	25 757 02	25 757 05			45 053 70
200376		235448	47 100 06	200372	25 757 02	25 757 05			45 053 76
200376		235448	47 100 06	200372	25 757 02	25 757 05			45 053 77
200376		235448	47 100 06	200372	25 757 02	25 757 05			45 053 86
200376		235448	47 100 06	200372	25 757 02	25 757 05			45 053 87
200376		235448	47 100 06	200372	25 757 02	25 757 05			45 053 88
200376		235448	47 100 06	200372	25 757 02	25 757 12			45 053 89
200376		235448	47 100 06	200372	25 757 02	25 757 24			45 053 91
					25 757 11				45 053 92
200376		235448	47 100 06	200372	25 757 01	25 757 05			47 053 03
200376		235448	47 100 06	200372	25 757 01	25 757 05			47 053 07
200376		235448	47 100 06	200372	25 757 02	25 757 05			47 053 08
200376		235448	47 100 06	200372	25 757 02	25 757 05			47 053 09
200376		235448	47 100 06	200372	25 757 01	25 757 05			47 053 12
200376		235448	47 100 06	200372	25 757 01	25 757 05			47 053 13
200376		235448	47 100 06	200372	25 757 01	25 757 05			47 053 14
200376		235448	47 100 06	200372	25 757 01	25 757 05			47 053 15
200376		235448	47 100 06	200372	25 757 01	25 757 05			47 053 16
200376		235448	47 100 06	200372	25 757 01	25 757 05			47 053 17
200376		235448	47 100 06	200372	25 757 01	25 757 05			47 053 20
200376	237917	235448	47 100 06	200372	25 757 02	25 757 05			47 053 24
200376		235448	47 100 06	200372	25 757 01	25 757 05			47 053 29
200376	237917	235448	47 100 06	200372	25 757 02	25 757 05			47 053 30
200376	237917	235448	47 100 06	200372	25 757 02	25 757 05			47 053 35
200376		235448	47 100 06	200372	25 757 01	25 757 05			47 053 40
200376		235448	47 100 06	200372	25 757 01	25 757 05			47 053 41
200376		235448	47 100 06	200372	25 757 01	25 757 05			47 053 62
200376		235448	47 100 02	200372	25 757 01	25 757 05			47 053 63
200376	237917	235448	47 100 06	200372	25 757 01	25 757 05			47 053 78
200376		235448	47 100 06	200372	25 757 01	25 757 05			47 053 80
200376		235448	47 100 06	200372	25 757 02		48 755 10		48 053 06
200376		235448	47 100 06	200372	25 757 02	25 757 05			52 053 09
200376		235448	47 100 06	200372	25 757 02	25 757 05			52 053 18
200376		235448	47 100 06	200372	25 757 02	25 757 05		25 755 05	52 053 28
200376		235448	47 100 06	200372	25 757 02			25 755 05	52 053 60
200376		235448	47 100 06	200372	25 757 01	25 757 05			77 053 06
200376		235448	47 100 06	200372	25 757 01	25 757 05			77 053 07



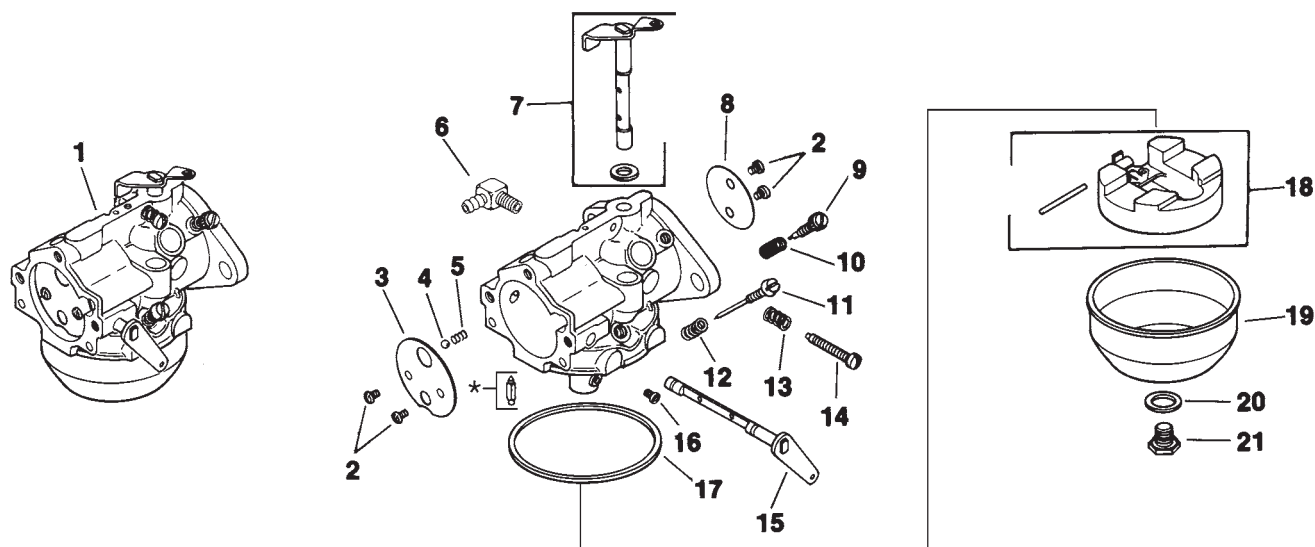
1/2" Walbro Fixed/Adjustable Carburetor

Carb. Part No. (1)	Screw, Throttle & Choke Plate (2)	Plate, Choke (3)	Ball, Choke (4)	Spring, Choke (5)	Spring, Main Needle (6)	Needle, Hi-Speed (7)	Screw, Throttle Adj. (8)	Spring, Throttle Adj. (9)	Spring, Idle Needle (10)	Needle, Idle Adj. (11)	Throttle Shaft W/Seal (12)
41 053 21	25 086 27	41 146 16	25 194 02	25 089 06			25 086 26	25 089 04	25 089 02	25 368 02	41 144 18
41 053 22	25 086 27	41 146 16	25 194 02	25 089 06			25 086 26	25 089 04	25 089 02	25 368 02	41 144 18
41 053 23	25 086 27	41 146 16	25 194 02	25 089 06			25 086 26	25 089 04	25 089 02	25 368 02	41 144 18
41 053 24	25 086 27	41 146 16	25 194 02	25 089 06			25 086 26	25 089 04	25 089 02	25 368 02	41 144 18
41 053 26	25 086 27	41 146 16	25 194 02	25 089 06			25 086 26	25 089 04	25 089 02	25 368 02	41 144 18
41 053 27	25 086 27	41 146 16	25 194 02	25 089 06	25 089 02	25 368 03	25 086 26	25 089 04	25 089 02	25 368 02	41 144 18
41 053 28	25 086 27	41 146 16	25 194 02	25 089 06	25 089 02	25 368 03	25 086 26	25 089 04	25 089 02	25 368 02	41 144 18
41 053 29	25 086 27	41 146 16	25 194 02	25 089 06	25 089 02	25 368 03	25 086 26	25 089 04	25 089 02	25 368 02	41 144 18
41 053 30	25 086 27	41 146 16	25 194 02	25 089 06	25 089 02	25 368 03	25 086 26	25 089 04	25 089 02	25 368 02	41 144 18
41 053 31	25 086 27	41 146 16	25 194 02	25 089 06	25 089 02	25 368 03	25 086 26	25 089 04	25 089 02	25 368 02	41 144 18
41 053 32	25 086 27	41 146 16	25 194 02	25 089 06	25 089 02	25 368 03	25 086 26	25 089 04	25 089 02	25 368 02	41 144 18
41 053 33	25 086 27	41 146 16	25 194 02	25 089 06	25 089 02	25 368 03	25 086 26	25 089 04	25 089 02	25 368 02	41 144 18
41 053 34	25 086 27	41 146 16	25 194 02	25 089 06	25 089 02	25 368 03	25 086 26	25 089 04	25 089 02	25 368 02	41 144 18
41 053 36	25 086 27	41 146 16	25 194 02	25 089 06	25 089 02	25 368 04	25 086 26	25 089 04	25 089 02	25 368 02	41 144 18
41 053 37	25 086 27	41 146 16	25 194 02	25 089 06	25 089 02	25 368 03	25 086 26	25 089 04	25 089 02	25 368 02	41 144 18
41 053 38											
46 053 05	25 086 27	41 146 03	25 194 02	25 089 06	25 089 02	25 368 03	25 086 26	25 089 04	25 089 02	25 368 02	46 144 04



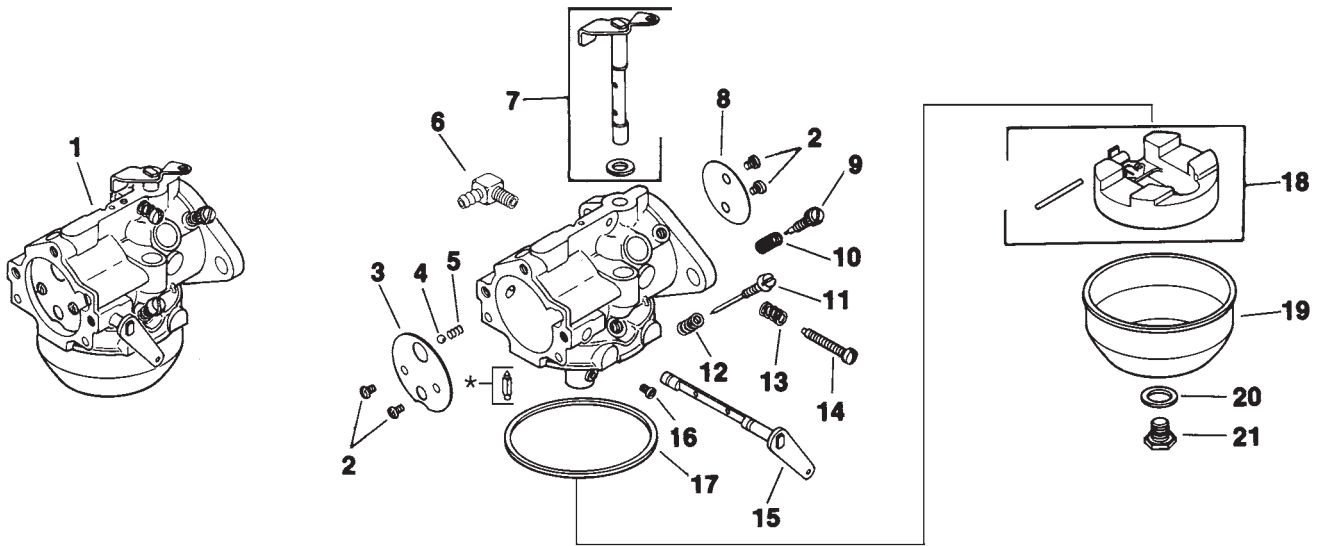
1/2" Walbro Fixed/Adjustable Carburetor

Plate, Throttle (13)	Shaft, Choke (14)	Jet, Main (15)	Gasket, Bowl (16)	Float Kit (17)	Bowl, Fuel (18)	Gasket, Bowl Ret. Screw (19)	Screw, Bowl Retainer (20)	Repair Kit (Includes Required Gaskets)	Hi-Alt Jet Kit	Carb. Part No. (1)
25 146 05	41 090 20	52 337 08	25 041 04	25 757 09	25 104 01	25 041 03	25 100 05	25 757 11	41 755 30	41 053 21
25 146 05	41 090 21	52 337 08	25 041 04	25 757 09	25 104 01	25 041 03	25 100 05	25 757 11	41 755 30	41 053 22
25 146 05	41 090 20	52 337 08	25 041 04	25 757 09	25 104 01	25 041 03	25 100 05	25 757 11	41 755 30	41 053 23
25 146 05	41 090 22	52 337 08	52 041 04	25 757 09	25 104 01	25 041 03	25 100 05	25 757 11	41 755 30	41 053 24
25 146 05	41 090 22	52 337 08	25 041 04	25 757 09	25 104 01	25 041 03	25 100 05	25 757 11	41 755 30	41 053 26
25 146 05	41 090 22		25 041 04	25 757 09	25 104 01	25 041 03	25 100 05	25 757 11		41 053 27
25 146 05	41 090 20		25 041 04	25 757 09	25 104 01	25 041 03	25 100 05	25 757 11		41 053 28
25 146 05	41 090 21		25 041 04	25 757 09	25 104 01	25 041 03	25 100 05	25 757 11		41 053 29
25 146 05	41 090 20		25 041 04	25 757 09	25 104 01	25 041 03	25 100 05	25 757 11		41 053 30
25 146 05	41 090 22		25 041 04	25 757 09	25 104 01	25 041 03	25 100 05	25 757 11		41 053 31
25 146 05	41 090 20		25 041 04	25 757 09	25 104 01	25 041 03	25 100 05	25 757 11		41 053 32
25 146 05	41 090 21		25 041 04	25 757 09	25 104 01	25 041 03	12 086 05	25 757 11		41 053 33
25 146 05	41 090 20		25 041 04	25 757 09	25 104 01	25 041 03	25 100 05	25 757 11		41 053 34
25 146 05	41 090 22		25 041 04	25 757 09	25 104 01	25 041 03	25 100 05	25 757 11		41 053 36
25 146 05	41 090 20		25 041 04	25 757 09	25 104 01	25 041 03	12 086 05	25 757 11		41 053 37
				25 757 09		25 041 03		25 757 11		41 053 38
25 146 05	41 090 20		25 041 04	25 757 09	25 104 01	25 041 03	25 100 05	25 757 11		46 053 05



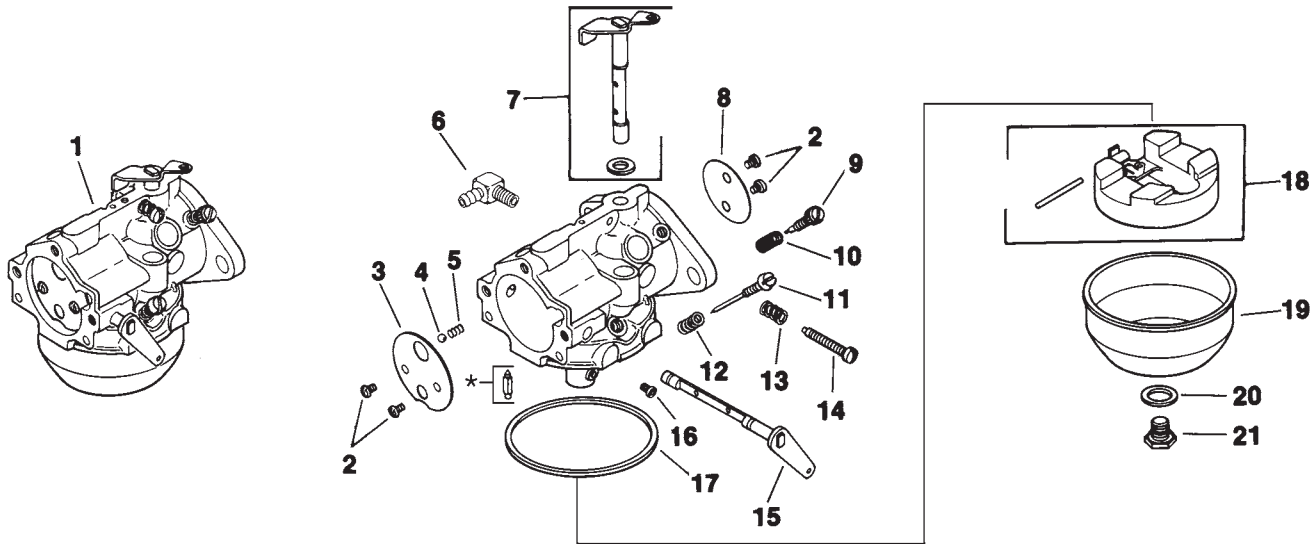
1" Walbro Fixed/Adjustable Carburetor

Carb. Part No. (1)	Screw, Throttle & Choke Plate (2)	Plate, Choke (3)	Ball, Choke (4)	Spring, Choke (5)	Fitting, Breather (6)	Thr. Shaft W/Seal (7)	Plate, Throttle (8)	Needle, Idle Adj. (9)	Spring, Idle Needle (10)	Needle, High Speed (11)	Spring, Main Needle (12)	Spring, Thr. Adj. (13)
45 053 71	25 086 27	45 146 07	25 194 01	25 089 03		47 144 25	47 146 10	25 368 01	25 089 02			25 089 04
45 053 72	25 086 27	45 146 07	25 194 01	25 089 03		47 144 25	47 146 10	25 368 01	25 089 02			25 089 04
45 053 73	25 086 27	45 146 07	25 194 01	25 089 03	25 155 05	47 144 25	47 146 10	25 368 01	25 089 02			25 089 04
45 053 74	25 086 27	45 146 07	25 194 01	25 089 03		47 144 25	47 146 10	25 368 01	25 089 02			25 089 04
45 053 75	25 086 27	45 146 07	25 194 01	25 089 03		47 144 25	47 146 10	25 368 01	25 089 02			25 089 04
45 053 78	25 086 27	45 146 07	25 194 01	25 089 03	25 155 05	47 144 25	47 146 10	25 368 01	25 089 02			25 089 04
45 053 79	25 086 27	45 146 07	25 194 01	25 089 03		47 144 25	47 146 10	25 368 01	25 089 02	25 368 03	25 089 02	25 089 04
45 053 80	25 086 27	45 146 07	25 194 01	25 089 03		47 144 36	47 146 10	25 368 01	25 089 02	25 368 03		25 089 04
45 053 81	25 086 27	45 146 07	25 194 01	25 089 03	25 155 05	47 144 25	47 146 10	25 368 01	25 089 02	25 368 03	25 089 02	25 089 04
45 053 82	25 086 27	45 146 07	25 194 01	25 089 03		47 144 25	47 146 10	25 368 01	25 089 02	25 368 03	25 089 02	25 089 04
45 053 83	25 086 27	45 146 07	25 194 01	25 089 03		47 144 25	47 146 10	25 368 01	25 089 02	25 368 03	25 089 02	25 089 04
45 053 84	25 086 27	45 146 07	25 194 01	25 089 03	25 155 05	47 144 25	47 146 10	25 368 01	25 089 02	25 368 03	25 089 02	25 089 04
45 053 90	25 086 27	45 146 07	25 194 01	25 089 03		47 144 25	47 146 10	25 368 01	25 089 02	25 368 03	25 089 02	25 089 04
47 053 64	25 086 27	47 146 09	25 194 01	25 089 03		47 144 25	47 146 10	25 368 01	25 089 02			25 089 04
47 053 65	25 086 27	47 146 08	25 194 01	25 089 03		47 144 21	25 146 02	25 368 01	25 089 02			25 089 04
47 053 66	25 086 27	47 146 08	25 194 01	25 089 03		47 144 21	25 146 02	25 368 01	25 089 03			25 089 04
47 053 67	25 086 27	47 146 08	25 194 01	25 089 03		47 144 21	25 146 02	25 368 01	25 089 02			25 089 04
47 053 68	25 086 27	47 146 08	25 194 01	25 089 03		47 144 21	25 146 02	25 368 01	25 089 03			25 089 04
47 053 69	25 086 27	47 146 08	25 194 01	25 089 03		47 144 25	47 146 10	25 368 01	25 089 02			25 089 04
47 053 70	25 086 27	47 146 09	25 194 01	25 089 03		47 144 25	47 146 10	25 368 01	25 089 02			25 089 04
47 053 71	25 086 27	47 146 09	25 194 01	25 089 03	25 155 05	47 144 25	47 146 10	25 368 01	25 089 02			25 089 04
47 053 72	25 086 27	47 146 08	25 194 01	25 089 03	25 155 05	47 144 21	25 146 02	25 368 01	25 089 03			25 089 04
47 053 74	25 086 27	47 146 08	25 194 01	25 089 03		47 144 21	25 146 02	25 368 01	25 089 03			25 089 04
47 053 75	25 086 27	47 146 09	25 194 01	25 089 03		47 144 25	47 146 10	25 368 01	25 089 02			25 089 04
47 053 79	25 086 27	47 146 08	25 194 01	25 089 03	25 155 05	47 144 25	47 146 10	25 368 01	25 089 02			25 089 04
47 053 81	25 086 27	47 146 09	25 194 01	25 089 03		47 144 25	47 146 10	25 368 01	25 089 02	25 368 03	25 089 02	25 089 04
47 053 82	25 086 27	47 146 09	25 194 01	25 089 03	25 155 05	47 144 25	47 146 10	25 368 01	25 089 02			25 089 04
47 053 83	25 086 27	47 146 08	25 194 01	25 089 03		47 144 21	25 146 02	25 368 01	25 089 02			25 089 04
47 053 84	25 086 27	47 146 08	25 194 01	25 089 03	25 155 05	47 144 21	25 146 02	25 368 01	25 089 02			25 089 04
47 053 85	25 086 27	47 146 08	25 194 01	25 089 03		47 144 21	25 146 02	25 368 01	25 089 02			25 089 04
47 053 86	25 086 27	47 146 08	25 194 01	25 089 03		47 144 21	25 146 02	25 368 01	25 089 02	25 368 03	25 089 02	25 089 04
47 053 87	25 086 27	47 146 08	25 194 01	25 089 03		47 144 21	25 146 02	25 368 01	25 089 02	25 368 03	25 089 02	25 089 04
47 053 88	25 086 27	47 146 08	25 194 01	28 089 03		47 144 21	25 146 02	25 368 01	25 089 02	25 368 03	25 089 02	25 089 04
47 053 89	25 086 27	47 146 08	25 194 01	25 089 03		47 144 21	25 146 02	25 368 01	25 089 02	25 368 03	25 089 02	25 089 04
47 053 90	25 086 27	47 146 08	25 194 01	25 089 03		47 144 21	25 146 02	25 368 01	25 089 02	25 368 03	25 089 02	25 089 04
47 053 91	25 086 27	47 146 08	25 194 01	25 089 03		47 144 21	25 146 02	25 368 01	25 089 02	25 368 03	25 089 02	25 089 04
47 053 92	25 086 27	47 146 08	25 194 01	25 089 03		47 144 21	25 146 02	25 368 01	25 089 02	25 368 03	25 089 02	25 089 04
47 053 93	25 086 27	47 146 08	25 194 01	25 089 03		47 144 21	25 146 02	25 368 01	25 089 02	25 368 03	25 089 02	25 089 04



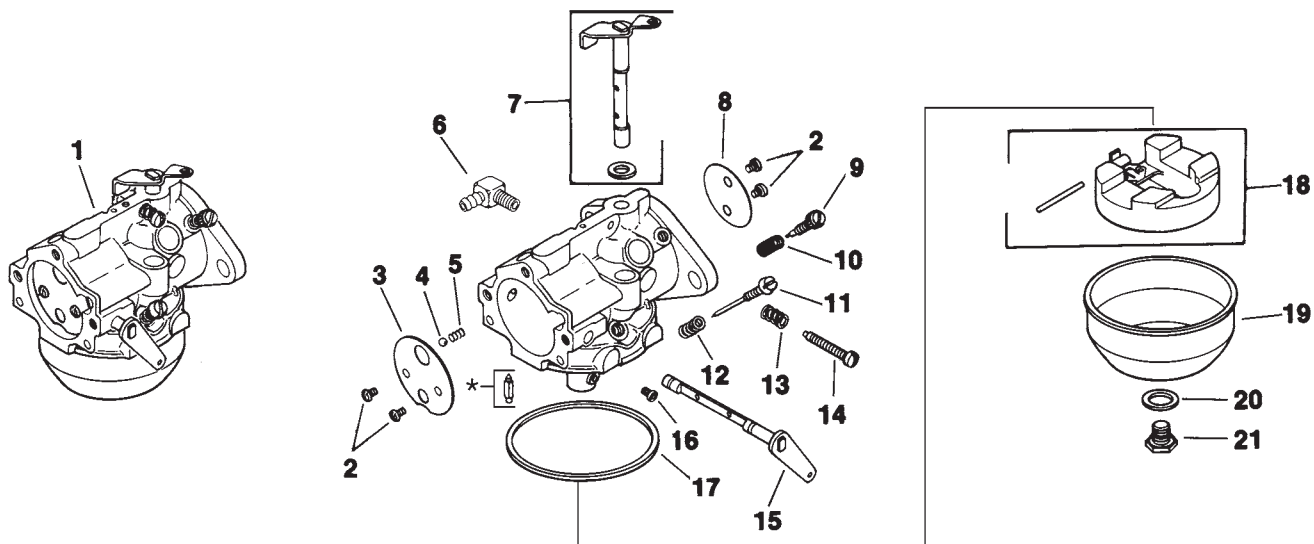
1" Walbro Fixed/Adjustable Carburetor

Screw, Thr. Adj. (14)	Shaft, Choke (15)	Jet, Main (16)	Gasket, Bowl (17)	Float Kit (18)	Bowl, Fuel (19)	Gasket, Bowl Ret. Screw (20)	Screw, Bowl Retainer (21)	Repair Kit	Hi-Alt Jet Kit	Solenoid Kit	Carb. Part No. (1)
25 086 26	47 090 38	45 337 01	25 041 04	25 757 09	25 104 01	25 041 03	25 100 05	25 757 08	45 755 14		45 053 71
25 086 26	47 090 34	45 337 01	25 041 04	25 757 09	25 104 01	25 041 03	25 100 05	25 757 08	45 755 14		45 053 72
25 086 26	47 090 35	45 337 01	25 041 04	25 757 09	25 104 01	25 041 03	25 100 05	25 757 08	45 755 14		45 053 73
25 086 26	47 090 37	45 337 01	25 041 04	25 757 09	25 104 01	25 041 03	25 100 05	25 757 08	45 755 14		45 053 74
25 086 26	47 090 38	45 337 01	25 041 04	25 757 09	25 104 01	25 041 03	25 100 05	25 757 08	45 755 14		45 053 75
25 086 26	47 090 38	45 337 01	25 041 04	25 757 09	25 104 01	25 041 03	25 100 05	25 757 08	45 755 14		45 053 78
25 086 26	47 090 38		25 041 04	25 757 09	25 104 01	25 041 03	25 100 05	25 757 11			45 053 79
25 086 26	47 090 34		25 041 04	25 757 09	25 104 01		12 086 05	25 757 11			45 053 80
25 086 26	47 090 35		25 041 04	25 757 09	25 104 01	25 041 03	25 100 05	25 757 11			45 053 81
25 086 26	47 090 37		25 041 04	25 757 09	25 104 01	25 041 03	25 100 05	25 757 11			45 053 82
25 086 26	47 090 38		25 041 04	25 757 09	25 104 01	25 041 03	25 100 05	25 757 11			45 053 83
25 086 26	47 090 38		25 041 04	25 757 09	25 104 01	25 041 03	25 100 05	25 757 11			45 053 84
25 086 26	47 090 38		25 041 04	25 757 09	25 104 01	25 041 03		25 757 11		52 435 06	45 053 90
25 086 26	47 090 38	52 337 08	25 041 04	25 757 09	25 104 01	25 041 03	25 100 05	25 757 08	47 755 38		47 053 64
25 086 26	47 090 38	47 337 02	25 041 04	25 757 09	25 104 01	25 041 03	25 100 05	25 757 08	45 755 14		47 053 65
25 086 26	47 090 35	47 337 02	25 041 04	25 757 09	25 104 01	25 041 03	25 100 05	25 757 08	47 755 36		47 053 66
25 086 26	47 090 34	47 337 02	25 041 04	25 757 09	25 104 01	25 041 03	25 100 05	25 757 08	47 755 36		47 053 67
25 086 26	47 090 35	47 337 02	25 041 04	25 757 09	25 104 01	25 041 03	25 100 05	25 757 08	47 755 36		47 053 68
25 086 26	47 090 34	52 337 08	25 041 04	25 757 09	25 104 01	25 041 03	25 100 05	25 757 08	47 755 38		47 053 69
25 086 26	47 090 36	52 337 08	25 041 04	25 757 09	25 104 01	25 041 03	25 100 05	25 757 08	47 755 38		47 053 70
25 086 26	47 090 38	52 337 08	25 041 04	25 757 09	25 104 01	25 041 03	25 100 05	25 757 08	47 755 38		47 053 71
25 086 26	47 090 35	47 337 02	25 041 04	25 757 09	25 104 01	25 041 03	25 100 05	25 757 08	47 755 36		47 053 72
25 086 26	47 090 37	47 337 02	25 041 04	25 757 09	25 104 01	25 041 03	25 100 05	25 757 08	47 755 36		47 053 74
25 086 26	47 090 37	52 337 08	25 041 04	25 757 09	25 104 01	25 041 03	25 100 05	25 757 08	47 755 38		47 053 75
25 086 26	47 090 38	52 337 08	25 041 04	25 757 09	25 104 01	25 041 03	25 100 05	25 757 08	47 755 38		47 053 79
25 086 26	47 090 35	52 337 08	25 041 04	25 757 09	25 104 01	25 041 03	25 100 05	25 757 08	47 755 38		47 053 81
25 086 26	47 090 38	52 337 08	25 041 04	25 757 09	25 104 01	25 041 03	25 100 05	25 757 08	47 755 38		47 053 82
25 086 26	47 090 38	47 337 02	25 041 04	25 757 09	25 104 01	25 041 03	25 100 05	25 757 08	47 755 36		47 053 83
25 086 26	47 090 38	47 337 02	25 041 04	25 757 09	25 104 01	25 041 03	25 100 05	25 757 08	47 755 36		47 053 84
25 086 26	47 090 35	47 337 02	25 041 04	25 757 09	25 104 01	25 041 03	25 100 05	25 757 08	47 755 36		47 053 85
25 086 26	47 090 38		25 041 04	25 757 09	25 104 01	25 041 03	25 100 05	25 757 08			47 053 86
25 086 26	47 090 35		25 041 04	25 757 09	25 104 01	25 041 03	25 100 05	25 757 08			47 053 87
25 086 26	47 090 34		25 041 04	25 757 09	25 104 01	25 041 03	25 100 05	25 757 08			47 053 88
25 086 26	47 090 35		25 041 04	25 757 09	25 104 01	25 041 03	25 100 05	25 757 08			47 053 89
25 086 06	47 090 35		25 041 05	25 757 09	25 104 01	25 041 03	25 100 05	25 757 08			47 053 90
25 086 26	47 090 37		25 041 04	25 757 09	25 104 01	25 041 03	25 100 05	25 757 08			47 053 91
25 086 26	47 090 38		25 041 04	25 757 09	25 104 01	25 041 03	25 100 05	25 757 08			47 053 92
25 086 26	47 090 38		25 041 04	25 757 09	25 104 01	25 041 03	25 100 05	25 757 08			47 053 93



1" Walbro Fixed/Adjustable Carburetor

Carb. Part No. (1)	Screw, Throttle & Choke Plate (2)	Plate, Choke (3)	Ball, Choke (4)	Spring, Choke (5)	Fitting, Breather (6)	Thr. Shaft W/Seal (7)	Plate, Throttle (8)	Needle, Idle Adj. (9)	Spring, Idle Needle (10)	Needle, High Speed (11)	Spring, Main Needle (12)	Spring, Thr. Adj. (13)
47 053 94	25 086 27	47 146 08	25 194 01	25 089 03		47 144 21	25 146 02	25 368 01	25 089 02	25 368 03	25 089 02	25 089 04
47 053 96	25 086 27	47 146 09	25 194 01	25 089 03		47 144 25	47 146 10	25 368 01	25 089 02	25 368 03	25 089 02	25 089 04
47 053 97	25 086 27	47 146 09	25 194 01	25 089 03		47 144 36	47 146 10	25 368 01	25 089 02	25 368 03	25 089 02	25 089 04
47 053 98	25 086 27	47 146 09	25 194 01	25 089 03		47 144 25	47 146 10	25 368 01	25 089 02	25 368 03	25 089 02	25 089 04
47 053 99	25 086 27	47 146 09	25 194 01	25 089 03	25 155 05	47 144 25	47 146 10	25 368 01	25 089 02	25 368 03	25 089 02	25 089 04
52 053 20	25 086 27	25 146 03	25 194 01	25 089 03		52 144 16	25 146 02	25 368 01	25 089 02			25 089 04
52 053 21	25 086 27	25 146 03	25 194 01	25 089 03		52 144 16	25 146 02	25 368 01	25 089 02			25 089 04
52 053 26	25 086 27	25 146 03	25 194 01	25 089 03		52 144 16	25 144 02	25 368 01	25 089 02			25 089 04
52 053 27	25 086 27	25 146 03	25 194 01	25 089 03		52 144 16	25 146 02	25 368 01	25 089 02			25 089 04
52 053 31	25 086 27	25 146 03	25 194 01	25 089 03		52 144 18	25 146 02	25 368 01	25 089 02			25 089 04
52 053 32	25 086 27	25 146 03	25 194 01	25 089 03		52 144 18	25 146 02	25 368 01	25 089 02			25 089 04
52 053 34	25 086 27	25 146 03	25 194 01	25 089 03		52 144 16	25 146 02	25 368 01	25 089 02			25 089 04
52 053 36	25 086 27	25 146 03	25 194 01	25 089 03		52 144 16	25 146 02	25 368 01	25 089 02			25 089 04
52 053 37	25 086 27	25 146 03	25 194 01	25 089 03		52 144 18	25 146 02	25 368 01	25 089 02			25 089 04
52 053 38	25 086 27	25 146 03	25 194 01	25 089 03		52 144 18	25 146 02	25 368 01	25 089 02			25 089 04
52 053 46	25 086 27	25 146 03	25 194 01	25 089 03		52 144 18	25 146 02	25 368 01	25 089 02			25 089 04
52 053 47	25 086 27	25 146 03	25 194 01	25 089 03		52 144 18	25 146 02	25 368 01	25 089 02			25 089 04
52 053 50	25 086 27	25 146 03	25 194 01	25 089 03		52 144 18	25 146 02	25 368 01	25 089 02	25 368 03	25 089 02	25 089 04
52 053 51	25 086 27	25 146 03	25 194 01	25 089 03		52 144 18	25 146 02	25 368 01	25 089 02	25 368 03	25 089 02	25 089 04
52 053 52	25 083 27	25 146 03	25 194 01	25 089 03		52 144 18	25 146 02	25 368 01	25 089 02	25 368 03	25 089 02	25 089 04
52 053 54	25 086 27	25 146 03	25 194 01	25 089 03		52 144 16	25 146 02	25 368 01	25 089 02	25 368 03	25 089 02	25 089 04
52 053 55	25 086 27	25 146 03	25 194 01	25 089 03		52 144 16	25 146 02	25 368 01	25 089 02	25 368 03	25 089 02	25 089 04
52 053 56	25 086 27	25 146 03	25 194 01	25 089 03		52 144 18	25 146 02	25 368 01	25 089 02	25 386 03	25 089 02	25 089 04
52 053 58	25 086 27	25 146 03	25 194 01	25 089 03		52 144 18	25 146 02	25 368 01	25 089 02	25 368 03	25 089 02	25 089 04
52 053 59	25 086 27	25 146 03	25 194 01	25 089 03		52 144 18	25 146 02	25 368 01	25 089 02	25 368 03	25 089 02	25 089 04
52 053 63	25 086 27	25 146 03	25 194 01	25 089 03		52 144 18	25 146 02	25 368 01	25 089 02	25 368 03	25 089 02	25 089 04
52 053 66	25 086 27	25 146 03	25 194 01	25 089 03		52 144 18	25 146 02	25 368 01	25 089 02	25 368 03	25 089 02	25 089 04
52 053 69	25 086 27	52 146 10			52 054 45	52 144 22	25 146 05	25 368 02	25 089 02	52 368 03	25 089 02	
77 053 01	25 086 27	47 146 09	25 194 01	25 089 03		47 144 25	47 146 10	25 368 01	25 089 02	25 368 03	25 089 02	25 089 04
77 053 02	25 086 27	47 146 09	25 194 01	25 089 03	25 155 05	47 144 25	47 146 10	25 368 01	25 089 02	25 368 03	25 089 02	25 089 04
77 053 03	25 086 27	47 146 09	25 194 01	25 089 03		47 144 25	47 146 10	25 368 01	25 089 02	25 368 03	25 089 02	25 089 04
77 053 04	25 086 27	47 146 09	25 194 01	25 089 03		47 144 25	47 146 10	25 368 01	25 089 02	25 368 03	25 089 02	25 089 04
77 053 05	25 086 27	47 146 09	25 194 01	25 089 03		47 144 25	47 146 10	25 368 01	25 089 02			25 089 04
77 053 08	25 086 27	47 146 08	25 194 01	25 089 03		47 144 35	25 146 02	25 368 01	25 089 02	25 368 03		25 089 04
77 053 09												
77 053 10												
77 053 11												



1" Walbro Fixed/Adjustable Carburetor

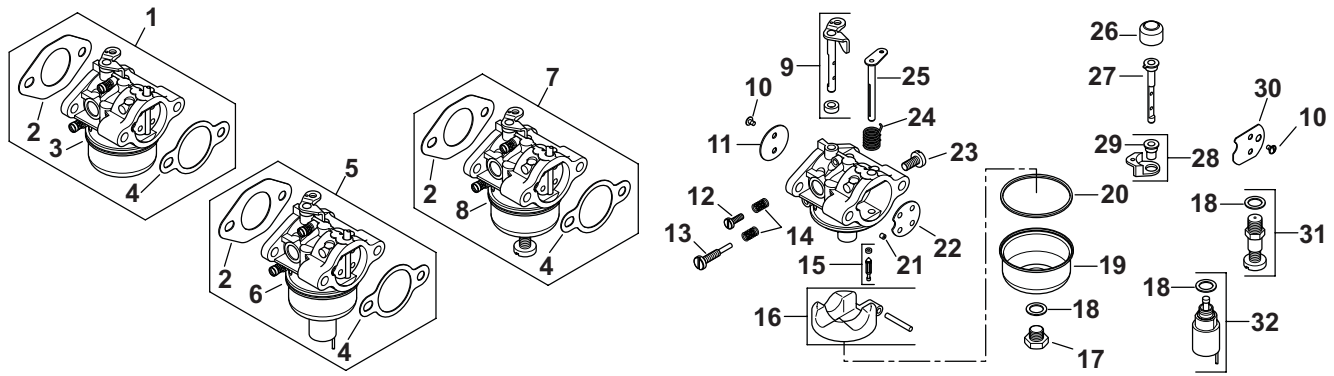
Screw, Thr. Adj. (14)	Shaft, Choke (15)	Jet, Main (16)	Gasket, Bowl (17)	Float Kit (18)	Bowl, Fuel (19)	Gasket, Bowl Ret. Screw (20)	Screw, Bowl Retainer (21)	Repair Kit	Hi-Alt Jet Kit	Solenoid Kit	Carb. Part No. (1)
25 086 26	47 090 35		25 041 04	25 757 09	25 104 01	25 041 03	25 100 05	25 757 11			47 053 94
25 086 26	47 090 38		25 041 04	25 757 09	25 104 01	25 041 03	25 100 05	25 757 11			47 053 96
25 086 26	47 090 34		25 041 04	25 757 09	25 104 01	25 041 03	25 100 05	25 757 11			47 053 97
25 086 26	47 090 36		25 041 04	25 757 09	25 104 01	25 041 03	25 100 05	25 757 11			47 053 98
25 086 26	47 090 34		25 041 04	25 757 09	25 104 01	25 041 03	25 100 05	25 757 11			47 053 99
25 086 26	52 090 12	52 337 01	25 041 04	25 757 09	25 104 01	25 041 03	25 100 05	25 757 08	52 755 68		52 053 20
25 086 26	52 090 13	52 337 01	25 041 04	25 757 09	25 104 01	25 041 03	25 100 05	25 757 08	52 755 68		52 053 21
25 086 26	52 090 12	52 337 03	25 041 04	25 757 09	25 104 01	25 041 03	25 100 05	25 757 08	52 755 74		52 053 26
25 086 26	52 090 13	52 337 03	25 041 04	25 757 09	25 104 01	25 041 03	25 100 05	25 757 08	52 755 74		52 053 27
25 086 26	52 090 12	52 337 06	25 041 04	25 757 09	25 104 01	25 041 03	25 100 05	25 757 08	52 755 98		52 053 31
25 086 26	52 090 13	52 337 06	25 041 04	25 757 09	25 104 01	25 041 03	25 100 05	25 757 08	52 755 98		52 053 32
25 086 26	52 090 13	52 337 06	25 041 04	25 757 09	25 104 01	25 041 03	25 100 05	25 757 08	52 755 98		52 053 34
25 086 26	52 090 12	52 337 06	25 041 04	25 757 09	25 104 01	25 041 03	25 100 05	25 757 08	52 755 98		52 053 36
25 086 26	52 090 12	25 337 09	25 041 04	25 757 09	25 104 01	25 041 03	25 100 05	25 757 08	52 755 98	25 755 06	52 053 37
25 086 26	52 090 12	52 337 07	25 041 04	25 757 09	25 104 01	25 041 03	25 100 05	25 757 08	52 755 98	25 755 06	52 053 38
25 086 26	52 090 12	52 337 01	25 041 04	25 757 09	25 104 01	25 041 03	25 100 05	25 757 08	52 755 68		52 053 46
25 086 26	52 090 13	52 337 01	25 041 04	25 757 09	25 104 01	25 041 03	25 100 05	25 757 08	52 755 68		52 053 47
25 086 26	52 090 12		25 041 04	25 757 09	25 104 01	25 041 03	25 100 05	25 757 08			52 053 50
25 086 26	52 090 13		25 041 04	25 757 09	25 104 01	25 041 03	25 100 05	25 757 08			52 053 51
25 086 26	52 090 12		25 041 04	25 757 09	25 104 01	25 041 03	25 100 05	25 757 11		25 755 06	52 053 52
25 086 26	52 090 13		25 041 04	25 757 09	25 104 01	25 041 03	25 100 05	25 757 08			52 053 54
25 086 26	52 090 13		25 041 04	25 757 09	25 104 01	25 041 03	25 100 05	25 757 08			52 053 55
25 086 26	52 090 12		25 041 04	25 757 09	25 104 01	25 041 03	25 100 05	25 757 11		25 755 06	52 053 56
25 086 26	52 090 12		25 041 04	25 757 09	25 104 01	25 041 03	25 100 05	25 757 08			52 053 58
25 086 26	52 090 13		25 041 04	25 757 09	25 104 01	25 041 03	25 100 05	25 757 08			52 053 59
25 086 26	52 090 12		25 041 04	25 757 09	25 104 01	25 041 03	25 100 05	25 757 08			52 053 63
25 086 26	52 090 12		25 041 04	25 757 09	25 104 01	25 041 03	25 100 05	25 757 11			52 053 66
	52 144 20		25 041 04	25 757 09	25 104 01	25 041 03		52 757 04		52 435 06	52 053 69
25 086 26	47 090 37		25 041 04	25 757 09	25 104 01	25 041 03	25 100 05	25 757 11			77 053 01
25 086 26	47 090 38		25 041 04	25 757 09	25 104 01	25 041 03	25 100 05	25 757 11			77 053 02
25 086 26	47 090 38		25 041 04	25 757 09	25 104 01	25 041 03	25 100 05	25 757 11			77 053 03
25 086 26	47 090 35		25 041 04	25 757 09	25 104 01	25 041 03	25 100 05	25 757 11			77 053 04
25 086 26	47 090 38	52 337 08	25 041 04	25 757 09	25 104 01	25 041 03	25 100 05	25 757 08	45 755 38		77 053 05
25 086 26	47 090 34		25 041 04	25 757 09	25 104 01	25 041 03	12 086 05	25 757 11			77 053 08
No Spare Parts Available											77 053 09
				25 757 09		25 041 03		25 757 11			77 053 10
				25 757 09		25 041 03		25 757 11			77 053 11

Section 4

SERVICE PARTS LISTING - Single Cylinder

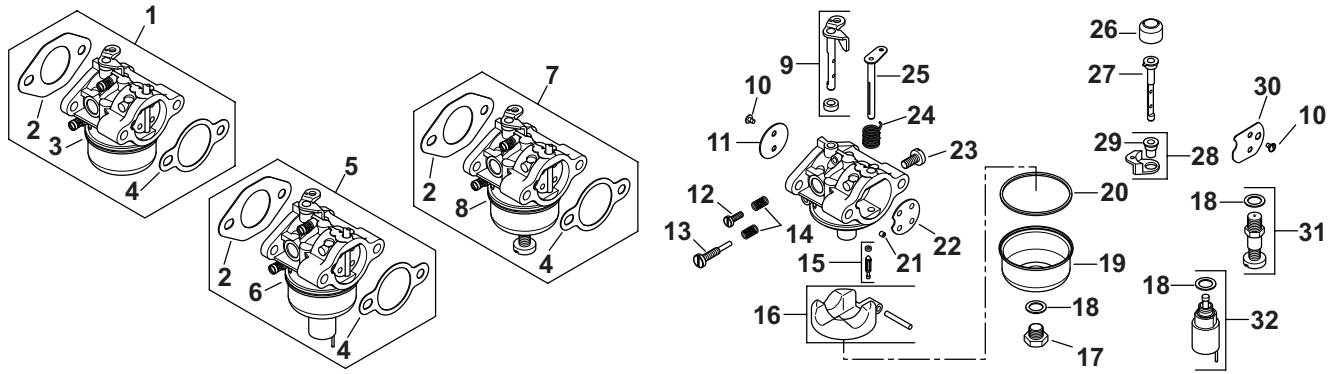
The following section is the service parts listing for the carburetors on Single Cylinder engines. The carburetor number is embossed on the mounting flange on the carburetor. For additional service and repair information see the appropriate service manual for your model engine.

Command Single.....	4.2-4.13	Command 5 HP & 6 HP.....	4.15-4.16
Includes the following Models:		Includes the following Models:	
CH5, CH6, CH11, CH12.5, CH13, CH14, CH15,		CH5, CH6	
CH16, CH410, CH430, CV11, CV12.5, CV13,		Command Pro CS Series 4 HP & 6 HP.....	4.17
CV14, CV15, CV16, CV430, CV460, CV461,		Includes the following Models:	
CV490, CV491, CV492, CV493		CS4, CS6	
Courage Single	4.14	Command Pro CS Series 8.5-12 HP.....	4.18-4.20
Includes the following Models:		Includes the following Models:	
SV470, SV480, SV530, SV540, SV590, SV600,		CS8.5, CS10, CS12, CS12.75	
SV610, SV620			



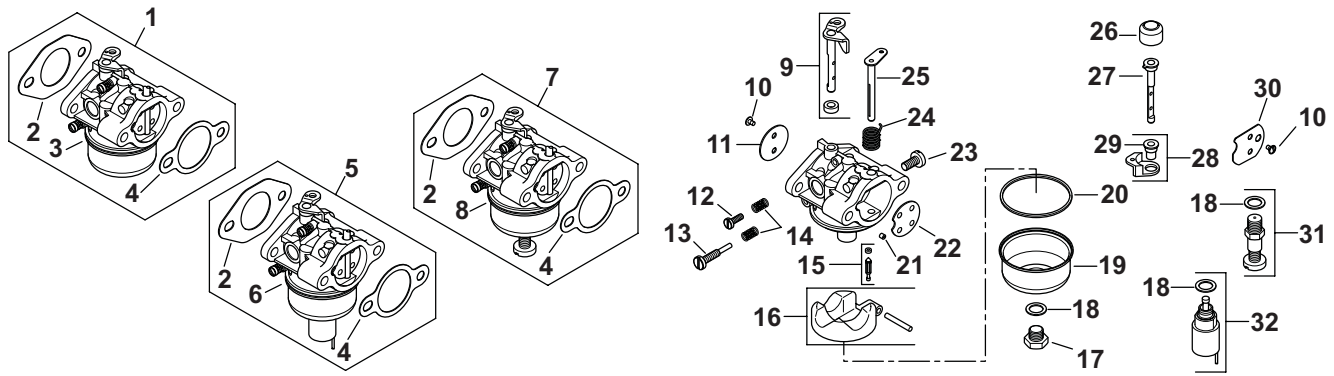
Command Single

Carburetor Ref. Number	Service Carburetor	Gasket, Carburetor (2)	Gasket, Air Cleaner (4)	Shaft, Throttle (9)	Screw, Valve (10)	Plate, Throttle (11)
12 053 01* (3)	12 853 82-S (1)	12 041 01-S	12 041 02-S	12 144 09-S	25 086 27-S	12 146 03-S
12 053 04* (6)	12 853 92-S (5)	12 041 01-S	12 041 02-S	12 144 09-S	25 086 27-S	12 146 03-S
12 053 06* (6)	12 853 109-S (5)	12 041 01-S	12 041 02-S	12 144 09-S	25 086 27-S	12 146 03-S
12 053 09* (6)	12 853 95-S (5)	12 041 01-S	12 041 02-S	12 144 09-S	25 086 27-S	12 146 03-S
12 053 10* (3)	12 853 53-S (1)	12 041 01-S	12 041 02-S	12 144 09-S	25 086 27-S	12 146 03-S
12 053 14* (8)	12 853 33-S (7)	12 041 01-S	12 041 02-S	12 144 09-S	25 086 27-S	12 146 03-S
12 053 15 (8)	12 853 13-S (7)	12 041 01-S	12 041 02-S	12 144 09-S	25 086 27-S	12 146 03-S
12 053 16* (3)	12 853 14-S (1)	12 041 01-S	12 041 02-S	12 144 09-S	25 086 27-S	12 146 03-S
12 053 18* (8)	12 853 33-S (7)	12 041 01-S	12 041 02-S	12 144 09-S	25 086 27-S	12 146 03-S
12 053 21 (6)	12 853 16-S (5)	12 041 01-S	12 041 02-S	12 144 09-S	25 086 27-S	12 146 03-S
12 053 22* (3)	12 853 77-S (1)	12 041 01-S	12 041 02-S	12 144 09-S	25 086 27-S	12 146 03-S
12 053 23* (6)	12 853 109-S (5)	12 041 01-S	12 041 02-S	12 144 09-S	25 086 27-S	12 146 03-S
12 053 25* (6)	12 853 92-S (5)	12 041 01-S	12 041 02-S	12 144 09-S	25 086 27-S	12 146 03-S
12 053 26* (3)	12 853 80-S (1)	12 041 01-S	12 041 02-S	12 144 09-S	25 086 27-S	12 146 03-S
12 053 27* (3)	12 853 108-S (1)	12 041 01-S	12 041 02-S	12 144 09-S	25 086 27-S	12 146 03-S
12 053 28* (3)	12 853 45-S (1)	12 041 01-S	12 041 02-S	12 144 09-S	25 086 27-S	12 146 03-S
12 053 29* (3)	12 853 23-S (1)	12 041 01-S	12 041 02-S	12 144 09-S	25 086 27-S	12 146 03-S
12 053 32* (6)	12 853 94-S (5)	12 041 01-S	12 041 02-S	12 144 09-S	25 086 27-S	12 146 03-S
12 053 34* (8)	12 853 33-S (7)	12 041 01-S	12 041 02-S	12 144 09-S	25 086 27-S	12 146 03-S
12 053 36* (8)	12 853 80-S (1)	12 041 01-S	12 041 02-S	12 144 09-S	25 086 27-S	12 146 03-S
12 053 39* (3)	12 853 140-S (1)	12 041 01-S	12 041 02-S	12 144 09-S	25 086 27-S	12 146 03-S
12 053 40* (3)	12 853 43-S (1)	12 041 01-S	12 041 02-S	12 144 09-S	25 086 27-S	12 146 03-S
12 053 43 (3)	12 853 43-S (1)	12 041 01-S	12 041 02-S	12 144 09-S	25 086 27-S	12 146 03-S
12 053 44* (6)	12 853 92-S (5)	12 041 01-S	12 041 02-S	12 144 09-S	25 086 27-S	12 146 03-S
12 053 45 (3)	12 853 45-S (1)	12 041 01-S	12 041 02-S	12 144 09-S	25 086 27-S	12 146 03-S
12 053 47* (3)	12 853 140-S (1)	12 041 01-S	12 041 02-S	12 144 09-S	25 086 27-S	12 146 03-S
12 053 49* (3)	12 853 80-S (1)	12 041 01-S	12 041 02-S	12 144 09-S	25 086 27-S	12 146 03-S
12 053 50* (6)	12 853 93-S (5)	12 041 01-S	12 041 02-S	12 144 09-S	25 086 27-S	12 146 03-S
12 053 51* (3)	12 853 108-S (1)	12 041 01-S	12 041 02-S	12 144 09-S	25 086 27-S	12 146 03-S
12 053 53 (3)	12 853 53-S (1)	12 041 01-S	12 041 02-S	12 144 09-S	25 086 27-S	12 146 03-S
12 053 55* (3)	12 853 77-S (1)	12 041 01-S	12 041 02-S	12 144 09-S	25 086 27-S	12 146 03-S
12 053 56* (6)	42 853 03-S (5)	12 041 01-S	12 041 02-S	12 144 09-S	25 086 27-S	12 146 03-S
12 053 57* (3)	12 853 82-S (1)	12 041 01-S	12 041 02-S	12 144 09-S	25 086 27-S	12 146 03-S
12 053 58* (6)	12 853 95-S (5)	12 041 01-S	12 041 02-S	12 144 09-S	25 086 27-S	12 146 03-S
12 053 59* (3)	12 853 33-S (7)	12 041 01-S	12 041 02-S	12 144 09-S	25 086 27-S	12 146 03-S
12 053 60* (3)	12 853 98-S (1)	12 041 01-S	12 041 02-S	12 144 09-S	25 086 27-S	12 146 03-S
12 053 61* (3)	12 853 80-S (1)	12 041 01-S	12 041 02-S	12 144 09-S	25 086 27-S	12 146 03-S
12 053 66 (3)	12 853 41-S (1)	12 041 01-S	12 041 02-S			
12 053 68 (6)	12 853 68-S (5)	12 041 01-S	12 041 02-S			
12 053 73* (6)	12 853 91-S (5)	12 041 01-S	12 041 02-S	No Spare Parts Available		
12 053 75 (3)	12 853 75-S (1)	12 041 01-S	12 041 02-S			
12 053 76* (6)	12 853 93-S (5)	12 041 01-S	12 041 02-S			
12 053 77 (3)	12 853 77-S (1)	12 041 01-S	12 041 02-S			



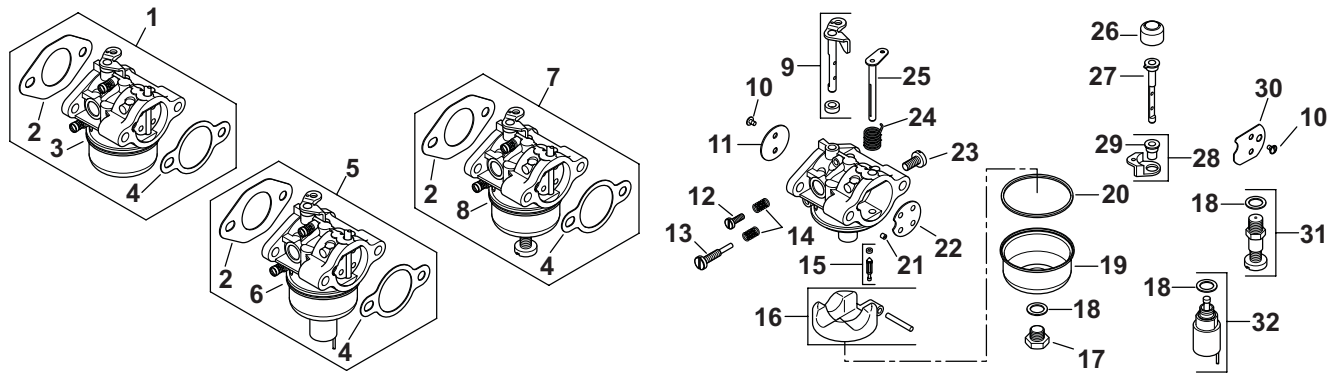
Command Single

Screw, Throttle Adjusting (12)	Needle, Idle Mixture (13)	Spring, Throttle Idle Needle (14)	Screw, Fuel Bowl Retainer (17)	Gasket, Bowl Screw (18)	Bowl (19)	Carburetor Ref. Number
12 086 04-S	12 368 01-S	12 089 09-S	12 086 05-S	12 041 06-S (REF)	12 104 01-S	12 053 01* (3)
12 086 04-S	12 368 01-S	12 089 09-S		12 041 06-S (REF)	12 104 01-S	12 053 04* (6)
12 086 04-S	12 368 01-S	12 089 09-S		12 041 06-S (REF)	12 104 01-S	12 053 06* (6)
12 086 04-S		12 089 09-S		12 041 06-S (REF)	12 104 01-S	12 053 09* (6)
12 086 04-S	12 368 01-S	12 089 09-S	12 086 05-S	12 041 06-S (REF)	12 104 01-S	12 053 10* (3)
12 086 04-S	12 368 01-S	12 089 09-S		12 041 06-S (REF)	12 104 01-S	12 053 14* (8)
12 086 04-S	12 368 01-S	12 089 09-S		12 041 06-S (REF)	12 104 01-S	12 053 15 (8)
12 086 04-S	12 368 01-S	12 089 09-S	12 086 05-S	12 041 06-S (REF)	12 104 01-S	12 053 16 (3)
12 086 04-S	12 368 03-S	12 089 09-S		12 041 06-S (REF)	12 104 01-S	12 053 18* (8)
12 086 04-S	12 368 01-S	12 089 09-S	12 086 05-S	12 041 06-S (REF)	12 104 01-S	12 053 21 (6)
12 086 04-S	12 368 01-S	12 089 09-S	12 086 05-S	12 041 06-S (REF)	12 104 01-S	12 053 22* (3)
12 086 04-S	12 368 03-S	12 089 09-S		12 041 06-S (REF)	12 104 01-S	12 053 23* (6)
12 086 04-S	12 368 03-S	12 089 09-S		12 041 06-S (REF)	12 104 01-S	12 053 25* (6)
12 086 04-S	12 368 03-S	12 089 09-S	12 086 05-S	12 041 06-S (REF)	12 104 01-S	12 053 26* (3)
12 086 04-S	12 368 01-S	12 089 09-S	12 086 05-S	12 041 06-S (REF)	12 104 01-S	12 053 27* (3)
12 086 04-S	12 368 03-S	12 089 09-S	12 086 05-S	12 041 06-S (REF)	12 104 01-S	12 053 28* (3)
12 086 04-S	12 368 03-S	12 089 09-S	12 086 05-S	12 041 06-S (REF)	12 104 01-S	12 053 29* (3)
12 086 04-S	12 368 01-S	12 089 09-S		12 041 06-S (REF)	12 104 01-S	12 053 32* (6)
12 086 04-S	12 368 03-S	12 089 09-S		12 041 06-S (REF)	12 104 01-S	12 053 34* (8)
12 086 04-S	12 368 01-S	12 089 09-S		12 041 06-S (REF)	12 104 01-S	12 053 36* (8)
12 086 04-S	12 368 03-S	12 089 09-S	12 086 05-S	12 041 06-S (REF)	12 104 01-S	12 053 39* (3)
12 086 04-S	12 368 03-S	12 089 09-S	12 086 05-S	12 041 06-S (REF)	12 104 01-S	12 053 40* (3)
12 086 04-S	12 368 05-S	12 089 09-S	12 086 05-S	12 041 06-S (REF)	12 104 01-S	12 053 43 (3)
12 086 04-S	12 368 05-S	12 089 09-S		12 041 06-S (REF)	12 104 01-S	12 053 44* (6)
12 086 04-S	12 368 05-S	12 089 09-S	12 086 05-S	12 041 06-S (REF)	12 104 01-S	12 053 45 (3)
12 086 04-S	12 368 05-S	12 089 09-S	12 086 05-S	12 041 06-S (REF)	12 104 01-S	12 053 47* (3)
12 086 04-S	12 368 05-S	12 089 09-S	12 086 05-S	12 041 06-S (REF)	12 104 01-S	12 053 49* (3)
12 086 04-S	12 368 05-S	12 089 09-S		12 041 06-S (REF)	12 104 01-S	12 053 50* (6)
12 086 04-S	12 368 05-S	12 089 09-S	12 086 05-S	12 041 06-S (REF)	12 104 01-S	12 053 51* (3)
12 086 04-S	12 368 05-S	12 089 09-S	12 086 05-S	12 041 06-S (REF)	12 104 01-S	12 053 53 (3)
12 086 04-S	12 368 05-S	12 089 09-S	12 086 05-S	12 041 06-S (REF)	12 104 01-S	12 053 55* (3)
12 086 04-S	12 368 05-S	12 089 09-S		12 041 06-S (REF)	12 104 01-S	12 053 56* (6)
12 086 04-S	12 368 05-S	12 089 09-S	12 086 05-S	12 041 06-S (REF)	12 104 01-S	12 053 57* (3)
12 086 04-S	12 368 05-S	12 089 09-S		12 041 06-S (REF)	12 104 01-S	12 053 58* (6)
12 086 04-S	12 368 05-S	12 089 09-S	12 086 05-S	12 041 06-S (REF)	12 104 01-S	12 053 59* (3)
12 086 04-S	12 368 05-S	12 089 09-S	12 086 05-S	12 041 06-S (REF)	12 104 01-S	12 053 60* (3)
12 086 04-S	12 368 05-S	12 089 09-S	12 086 05-S	12 041 06-S (REF)	12 104 01-S	12 053 61* (3)
						12 053 66 (3)
						12 053 68 (6)
No Spare Parts Available						12 053 73* (6)
						12 053 75 (3)
						12 053 76* (6)
				25 041 03-S		12 053 77 (3)



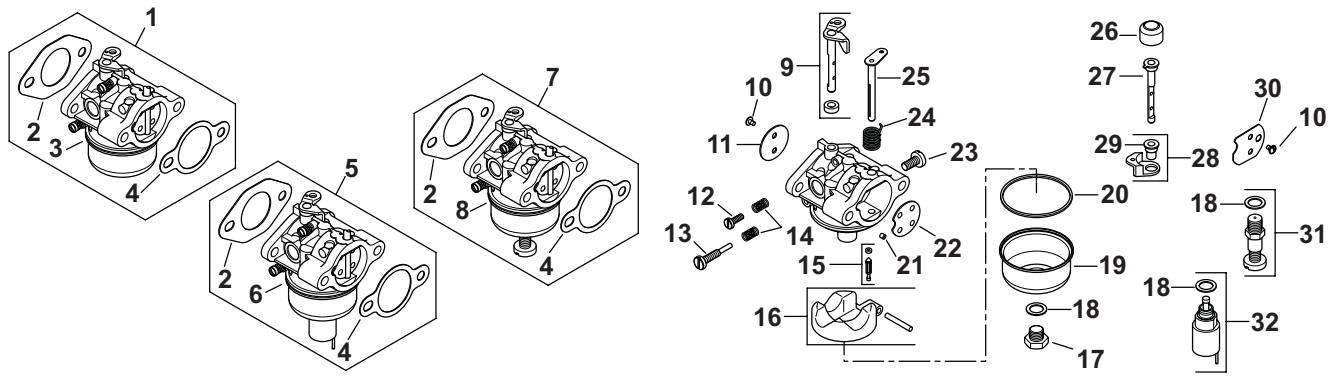
Command Single

Carburetor Ref. Number	Gasket, Fuel Bowl (20)	Jet, Main (21)	Plate, Choke (22 or 30)	Cap, Choke Lever (26)	Spring (24)	Shaft Assembly, Choke (25 or 27)
12 053 01* (3)	12 041 05-S		12 146 02-S		12 089 10-S	12 144 08-S
12 053 04* (6)	12 041 05-S	12 337 01-S	12 146 02-S		12 089 10-S	12 144 08-S
12 053 06* (6)	12 041 05-S	12 337 01-S	12 146 02-S		12 089 10-S	12 144 08-S
12 053 09* (6)	12 041 05-S		12 146 02-S		12 089 10-S	12 144 08-S
12 053 10* (3)	12 041 05-S	12 337 01-S	12 146 02-S		12 089 10-S	12 144 08-S
12 053 14* (8)	12 041 05-S		12 146 02-S		12 089 10-S	12 144 08-S
12 053 15 (8)	12 041 05-S		12 146 02-S		12 089 10-S	12 144 08-S
12 053 16 (3)	12 041 05-S	12 337 01-S	12 146 02-S		12 089 10-S	12 144 08-S
12 053 18* (8)	12 041 05-S		12 146 02-S		12 089 10-S	12 144 08-S
12 053 21 (6)	12 041 05-S	12 337 01-S	12 146 02-S		12 089 10-S	12 144 08-S
12 053 22* (3)	12 041 05-S	12 337 01-S	12 146 02-S		12 089 10-S	12 144 08-S
12 053 23* (6)	12 041 05-S	12 337 07-S	12 146 12-S	12 173 06-S		12 144 17-S
12 053 25* (6)	12 041 05-S	12 337 07-S	12 146 12-S	12 173 06-S		12 144 17-S
12 053 26* (3)	12 041 05-S	12 337 07-S	12 146 10-S	12 173 06-S		12 144 18-S
12 053 27* (3)	12 041 05-S	12 337 01-S	12 146 02-S		12 089 10-S	12 144 08-S
12 053 28* (3)	12 041 05-S	12 337 07-S	12 146 10-S	12 173 06-S		12 144 18-S
12 053 29* (3)	12 041 05-S	12 337 07-S	12 146 10-S	12 173 06-S		12 144 18-S
12 053 32* (6)	12 041 05-S	12 337 01-S	12 146 02-S		12 089 10-S	12 144 08-S
12 053 34* (8)	12 041 05-S		12 146 10-S	12 173 06-S		
12 053 36* (8)	12 041 05-S		12 146 10-S	12 173 06-S		
12 053 39* (3)	12 041 05-S	12 337 07-S	12 146 10-S	12 173 06-S		12 144 18-S
12 053 40* (3)	12 041 05-S	12 337 07-S	12 146 10-S	12 173 06-S		12 144 18-S
12 053 43 (3)	12 041 05-S	12 337 04-S	12 146 12-S	12 173 06-S		12 144 17-S
12 053 44* (6)	12 041 05-S	12 337 04-S	12 146 12-S	12 173 06-S		12 144 17-S
12 053 45 (3)	12 041 05-S	12 337 04-S	12 146 12-S	12 173 06-S		12 144 17-S
12 053 47* (3)	12 041 05-S	12 337 03-S	12 146 12-S	12 173 06-S		12 144 17-S
12 053 49* (3)	12 041 05-S	12 337 03-S	12 146 12-S	12 173 06-S		12 144 17-S
12 053 50* (6)	12 041 05-S	12 337 03-S	12 146 12-S	12 173 06-S		12 144 17-S
12 053 51* (3)	12 041 05-S	12 337 04-S	12 146 02-S		12 089 10-S	12 144 08-S
12 053 53 (3)	12 041 05-S	12 337 04-S	12 146 02-S		12 089 10-S	12 144 08-S
12 053 55* (3)	12 041 05-S	12 337 03-S	12 146 02-S		12 089 10-S	12 144 08-S
12 053 56* (6)	12 041 05-S	12 337 03-S	12 146 02-S		12 089 10-S	12 144 08-S
12 053 57* (3)	12 041 05-S	12 337 03-S	12 146 02-S		12 089 10-S	12 144 08-S
12 053 58* (6)	12 041 05-S	12 337 03-S	12 146 02-S		12 089 10-S	12 144 08-S
12 053 59* (3)	12 041 05-S	12 337 04-S	12 146 12-S	12 173 06-S		12 144 17-S
12 053 60* (3)	12 041 05-S	12 337 04-S	12 146 12-S	12 173 06-S		12 144 17-S
12 053 61* (3)	12 041 05-S	12 337 03-S	12 146 12-S	12 173 06-S		12 144 17-S
12 053 66 (3)						
12 053 68 (6)						
12 053 73* (6)	No Spare Parts Available					
12 053 75 (3)						
12 053 76* (6)						
12 053 77 (3)	12 041 05-S					



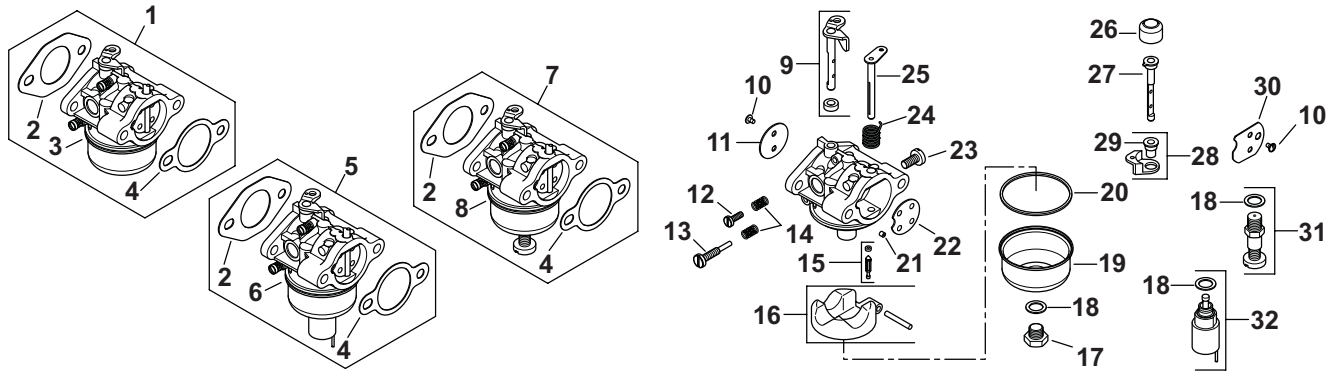
Command Single

Bushing, Choke (29)	Kit, Needle With Gasket (31)	Service Kits Available - See Page 4.8	Carburetor Ref. Number
		K1,K6,K7	12 053 01* (3)
		K1,K7,K8	12 053 04* (6)
		K1,K7,K8	12 053 06* (6)
		K1,K6,K7	12 053 09* (6)
		K1,K6,K7	12 053 10* (3)
	12 755 13-S	K6,K7	12 053 14* (8)
	12 755 13-S	K6,K7	12 053 15 (8)
		K1,K6,K7,K20	12 053 16 (3)
	12 755 19-S	K6,K7	12 053 18* (8)
		K1,K6,K7,K17,K20	12 053 21 (6)
		K1,K7,K8	12 053 22* (3)
12 158 01-S		K1,K7,K8,K9,K17,K18	12 053 23* (6)
12 158 01-S		K1,K7,K8,K9,K17,K18	12 053 25* (6)
12 158 01-S		K1,K6,K7,K10,K18	12 053 26* (3)
		K1,K7,K8	12 053 27* (3)
12 158 01-S		K1,K6,K7,K10,K18	12 053 28* (3)
12 158 01-S		K1,K6,K7,K10,K18,K20	12 053 29* (3)
		K1,K7,K8,K17	12 053 32* (6)
	12 755 19-S	K6,K7,K10	12 053 34* (8)
	12 755 13-S	K6,K7,K10	12 053 36* (8)
12 158 01-S		K1,K7,K8,K10,K18	12 053 39* (3)
12 158 01-S		K1,K7,K8,K10,K18	12 053 40* (3)
12 158 01-S		K7,K8,K9,K20	12 053 43 (3)
12 158 01-S		K7,K8,K9,K17	12 053 44* (6)
12 158 01-S		K7,K8,K9,K20	12 053 45 (3)
12 158 01-S		K7,K8,K9	12 053 47* (3)
12 158 01-S		K7,K8,K9	12 053 49* (3)
12 158 01-S		K7,K8,K9,K17	12 053 50* (6)
		K7,K8	12 053 51* (3)
		K5,K7,K8,K20	12 053 53 (3)
		K7,K8	12 053 55* (3)
		K7,K8,K17	12 053 56* (6)
		K7,K8	12 053 57* (3)
		K7,K8,K17	12 053 58* (6)
12 158 01-S		K7,K8,K9	12 053 59* (3)
12 158 01-S		K7,K8,K9	12 053 60* (3)
12 158 01-S		K7,K8,K9	12 053 61* (3)
		K12,K14,K16,K20	12 053 66 (3)
		K12,K13,K15,K16	12 053 68 (6)
No Spare Parts Available			12 053 73* (6)
		K12,K14,K16	12 053 75 (3)
		K7,K8,K9,K17	12 053 76* (6)
		K2,K5,K7,K8,K20	12 053 77 (3)



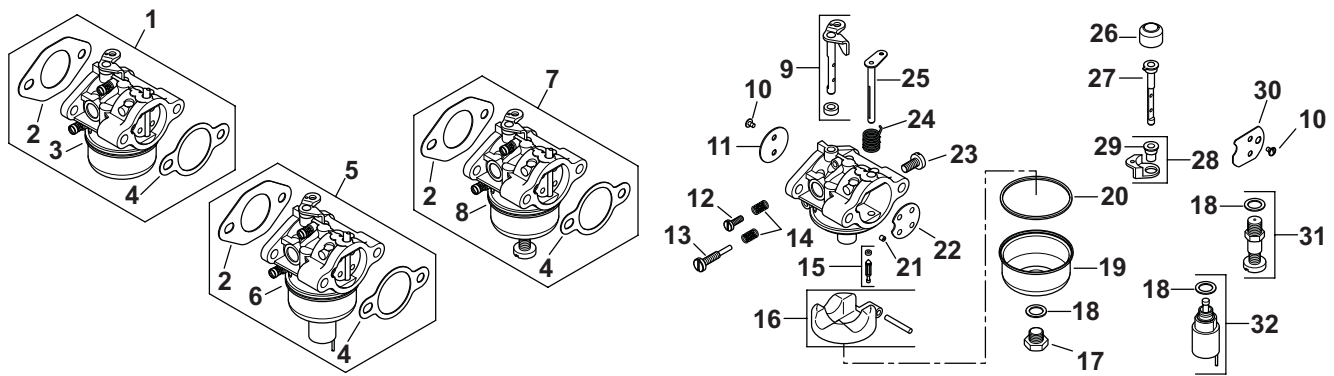
Command Single

Carburetor Ref. Number	Service Carburetor	Gasket, Carburetor (2)	Gasket, Air Cleaner (4)	Screw, Valve (10)	Gasket, Bowl Screw (18)	Gasket, Fuel Bowl (20)
12 053 78* (3)	12 853 140-S (1)	12 041 01-S	12 041 02-S	25 086 27-S	25 041 03-S	12 041 05-S
12 053 80 (3)	12 853 80-S (1)	12 041 01-S	12 041 02-S	25 086 27-S	25 041 03-S	12 041 05-S
12 053 81* (6)	12 853 94-S (5)	12 041 01-S	12 041 02-S	25 086 27-S	25 041 03-S	12 041 05-S
12 053 82 (3)	12 853 82-S (1)	12 041 01-S	12 041 02-S	25 086 27-S	25 041 03-S	12 041 05-S
12 053 83* (6)	12 853 95-S (5)	12 041 01-S	12 041 02-S	25 086 27-S	25 041 03-S	12 041 05-S
12 053 91 (6)	12 853 91-S (5)	12 041 01-S	12 041 02-S			
12 053 92 (6)	12 853 92-S (5)	12 041 01-S	12 041 02-S	25 086 27-S	25 041 03-S	12 041 05-S
12 053 93 (6)	12 853 93-S (5)	12 041 01-S	12 041 02-S	25 086 27-S	25 041 03-S	12 041 05-S
12 053 94* (6)	42 853 03-S (5)	12 041 01-S	12 041 02-S		25 041 03-S	12 041 05-S
12 053 95 (6)	12 853 95-S (5)	12 041 01-S	12 041 02-S		25 041 03-S	12 041 05-S
12 053 96 (6)	12 853 96-S (5)	12 041 01-S	12 041 02-S	25 086 27-S	25 041 03-S	12 041 05-S
12 053 98 (3)	12 853 98-S (1)	12 041 01-S	12 041 02-S		12 041 06-S (REF)	12 041 05-S
12 053 103 (6)	12 853 103-S (5)	12 041 01-S	12 041 02-S	25 086 27-S	25 041 03-S	12 041 05-S
12 053 104* (6)	12 853 118-S (5)	12 041 01-S	12 041 02-S		25 041 03-S	12 041 05-S
12 053 105 (3)	12 853 105-S (1)	12 041 01-S	12 041 02-S		12 041 06-S (REF)	12 041 05-S
12 053 107* (6)	12 853 117-S (5)	12 041 01-S	12 041 02-S		25 041 03-S	12 041 05-S
12 053 108 (3)	12 853 108-S (1)	12 041 01-S	12 041 02-S			
12 053 109 (6)	12 853 109-S (5)	12 041 01-S	12 041 02-S		25 041 03-S	12 041 05-S
12 053 115 (6)	12 853 115-S (5)	12 041 01-S	12 041 02-S		25 041 03-S	12 041 05-S
12 053 116 (3)	12 853 116-S (1)	12 041 01-S	12 041 02-S		12 041 06-S (REF)	12 041 05-S
12 053 117 (6)	12 853 117-S (5)	12 041 01-S	12 041 02-S		25 041 03-S	12 041 05-S
12 053 118 (6)	12 853 118-S (5)	12 041 01-S	12 041 02-S		25 041 03-S	12 041 05-S
12 053 119 (6)	12 853 119-S (5)	12 041 01-S	12 041 02-S		25 041 03-S	12 041 05-S
12 053 130 (6)	12 853 130-S (5)	12 041 01-S	12 041 02-S	25 086 27-S	25 041 03-S	12 041 05-S
12 053 131 (6)	12 853 131-S (5)	12 041 01-S	12 041 02-S		25 041 03-S	12 041 05-S
12 053 132 (6)	12 853 132-S (5)	12 041 01-S	12 041 02-S	25 086 27-S	25 041 03-S	12 041 05-S
12 053 133 (3)	12 853 133-S (1)	12 041 01-S	12 041 02-S			12 041 05-S
12 053 135 (6)	12 853 135-S (5)	12 041 01-S	12 041 02-S	25 086 27-S	25 041 03-S	12 041 05-S
12 053 136 (3)	12 853 136-S (1)	12 041 01-S	12 041 02-S		25 041 03-S	12 041 05-S
12 053 139 (3)	12 853 139-S (1)	12 041 01-S	12 041 02-S	25 086 27-S	25 041 03-S	12 041 05-S
12 053 140 (3)	12 853 140-S (1)	12 041 01-S	12 041 02-S	25 086 27-S	25 041 03-S	12 041 05-S
12 053 145* (3)	12 853 149-S (1)	12 041 01-S	12 041 02-S		25 041 03-S	12 041 05-S
12 053 146 (3)	12 853 146-S (1)	12 041 01-S	12 041 02-S		12 041 06-S (REF)	12 041 05-S
12 053 147 (6)	12 853 147-S (5)	12 041 01-S	12 041 02-S		25 041 03-S	12 041 05-S
12 053 148 (3)	12 853 148-S (1)	12 041 01-S	12 041 02-S		25 041 03-S	12 041 05-S
12 053 149 (3)	12 853 149-S (1)	12 041 01-S	12 041 02-S		25 041 03-S	12 041 05-S
12 053 158 (3)	12 853 158-S (1)	12 041 01-S	12 041 02-S	25 086 27-S	25 041 03-S	12 041 05-S
12 053 159 (3)	12 853 159-S (1)	12 041 01-S	12 041 02-S	25 086 27-S	25 041 03-S	12 041 05-S
12 053 169 (3)	12 853 169-S (1)	12 041 01-S	12 041 02-S	25 086 27-S	25 041 03-S	12 041 05-S
12 053 177 (3)	12 853 177-S (1)	12 041 01-S	12 041 02-S	25 086 27-S	25 041 03-S	12 041 05-S
42 053 01* (6)	12 853 109-S (5)	12 041 01-S	12 041 02-S	25 086 27-S	25 041 03-S	12 041 05-S
42 053 02 (6)	42 853 02-S (5)	12 041 01-S	12 041 02-S		25 041 03-S	12 041 05-S
42 053 03 (6)	42 853 03-S (5)	12 041 01-S	12 041 02-S	25 086 27-S	25 041 03-S	12 041 05-S



Command Single

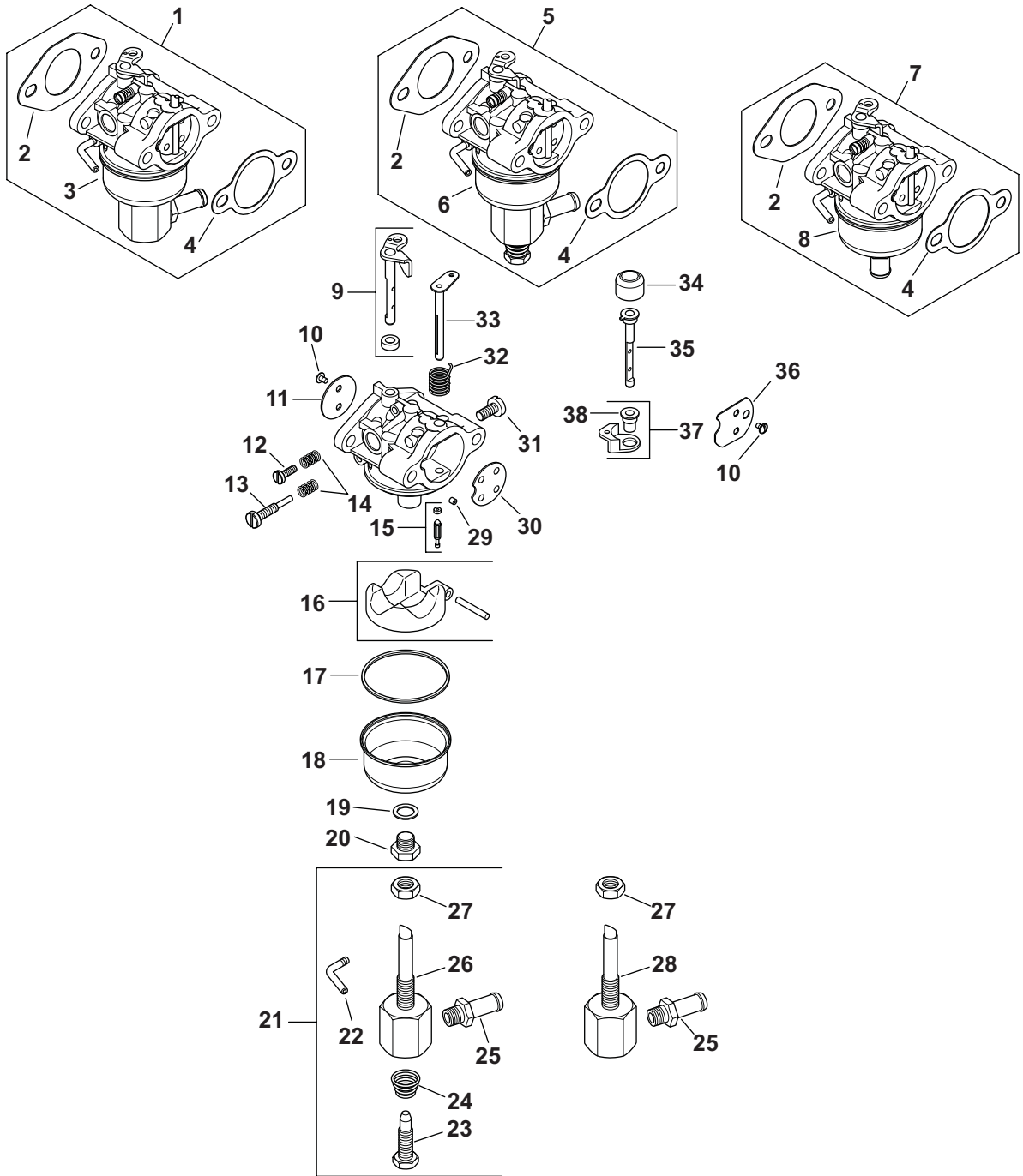
Plate, Choke (22 or 30)	Shaft Assembly, Choke (25 or 27)	Cap, Choke Lever (26)	Bushing, Choke (29)		Service Kits Available - See Page 4.8	Carburetor Ref. Number
12 146 12-S		12 173 06-S	12 158 01-S		K2,K7,K8,K9,K20	12 053 78* (3)
12 146 12-S		12 173 06-S	12 158 01-S		K2,K7,K8,K9,K20	12 053 80 (3)
12 146 12-S		12 173 06-S	12 158 01-S		K7,K8	12 053 81* (6)
					K2,K5,K7,K8,K20	12 053 82 (3)
12 146 12-S		12 173 06-S	12 158 01-S		K7,K8,K9,K17,K20	12 053 83* (6)
					K12,K13,K14,K16	12 053 91 (6)
12 146 12-S	12 144 17-S	12 173 06-S	12 158 01-S		K7,K8,K9,K17,K20	12 053 92 (6)
12 146 12-S	12 144 17-S	12 173 06-S	12 158 01-S		K2,K7,K8,K9,K17,K20	12 053 93 (6)
					K2,K5,K7,K8,K17,K20	12 053 94* (6)
					K2,K5,K7,K8,K17,K20	12 053 95 (6)
12 146 12-S	12 144 17-S	12 173 06-S	12 158 01-S		K7,K8,K9,K17,K20	12 053 96 (6)
					K7,K8,K20	12 053 98 (3)
12 146 12-S	12 144 17-S	12 173 06-S	12 158 01-S		K7,K8,K9,K17,K20	12 053 103 (6)
					K7,K8,K17	12 053 104* (6)
					K5,K7,K8,K20	12 053 105 (3)
					K7,K8,K17	12 053 107* (6)
					K5,K20	12 053 108 (3)
					K5,K7,K8,K17,K20	12 053 109 (6)
					K5,K7,K8,K17,K20	12 053 115 (6)
					K5,K7,K8,K20	12 053 116 (3)
					K3,K4,K5,K7,K8,K17,K20	12 053 117 (6)
					K3,K4,K5,K7,K8,K17,K20	12 053 118 (6)
					K5,K7,K8,K17,K20	12 053 119 (6)
12 146 12-S	12 144 17-S	12 173 06-S	12 158 01-S		K7,K8,K9,K17,K20	12 053 130 (6)
					K5,K7,K8,K17,K20	12 053 131 (6)
12 146 12-S	12 144 17-S	12 173 06-S	12 158 01-S		K2,K7,K8,K9,K20	12 053 132 (6)
					K5,K7,K8,K20	12 053 133 (3)
12 146 12-S	12 144 17-S	12 173 06-S	12 158 01-S		K7,K8,K9,K17,K20	12 053 135 (6)
					K3,K4,K5,K7,K8	12 053 136 (3)
12 146 12-S	12 144 17-S	12 173 06-S	12 158 01-S		K2,K7,K8,K9,K19	12 053 139 (3)
12 146 12-S	12 144 17-S	12 173 06-S	12 158 01-S		K2,K7,K8,K9,K19,K20	12 053 140 (3)
					K3,K4,K5,K7,K8	12 053 145* (3)
					K5,K7,K8,K19,K20	12 053 146 (3)
					K5,K7,K8,K17,K19,K20	12 053 147 (6)
					K3,K4,K5,K7,K8,K19,K20	12 053 148 (3)
					K3,K4,K5,K7,K8,K19,K20	12 053 149 (3)
12 146 12-S	12 144 17-S	12 173 06-S	12 158 01-S		K7,K8,K9,K17,K20	12 053 158 (3)
12 146 12-S	12 144 17-S	12 173 06-S	12 158 01-S		K7,K8,K9,K17,K20	12 053 159 (3)
12 146 12-S	12 144 17-S	12 173 06-S	12 158 01-S		K7,K8,K9,K17,K20	12 053 169 (3)
12 146 12-S	12 144 17-S	12 173 06-S	12 158 01-S		K7,K8,K9,K17,K20	12 053 177 (3)
12 146 12-S	12 144 17-S	12 173 06-S	12 158 01-S		K2,K7,K8,K9,K17	42 053 01* (6)
					K7,K8,K17	42 053 02 (6)
12 146 12-S	12 144 17-S	12 173 06-S	12 158 01-S		K2,K7,K8,K9,K17	42 053 03 (6)



Command Single

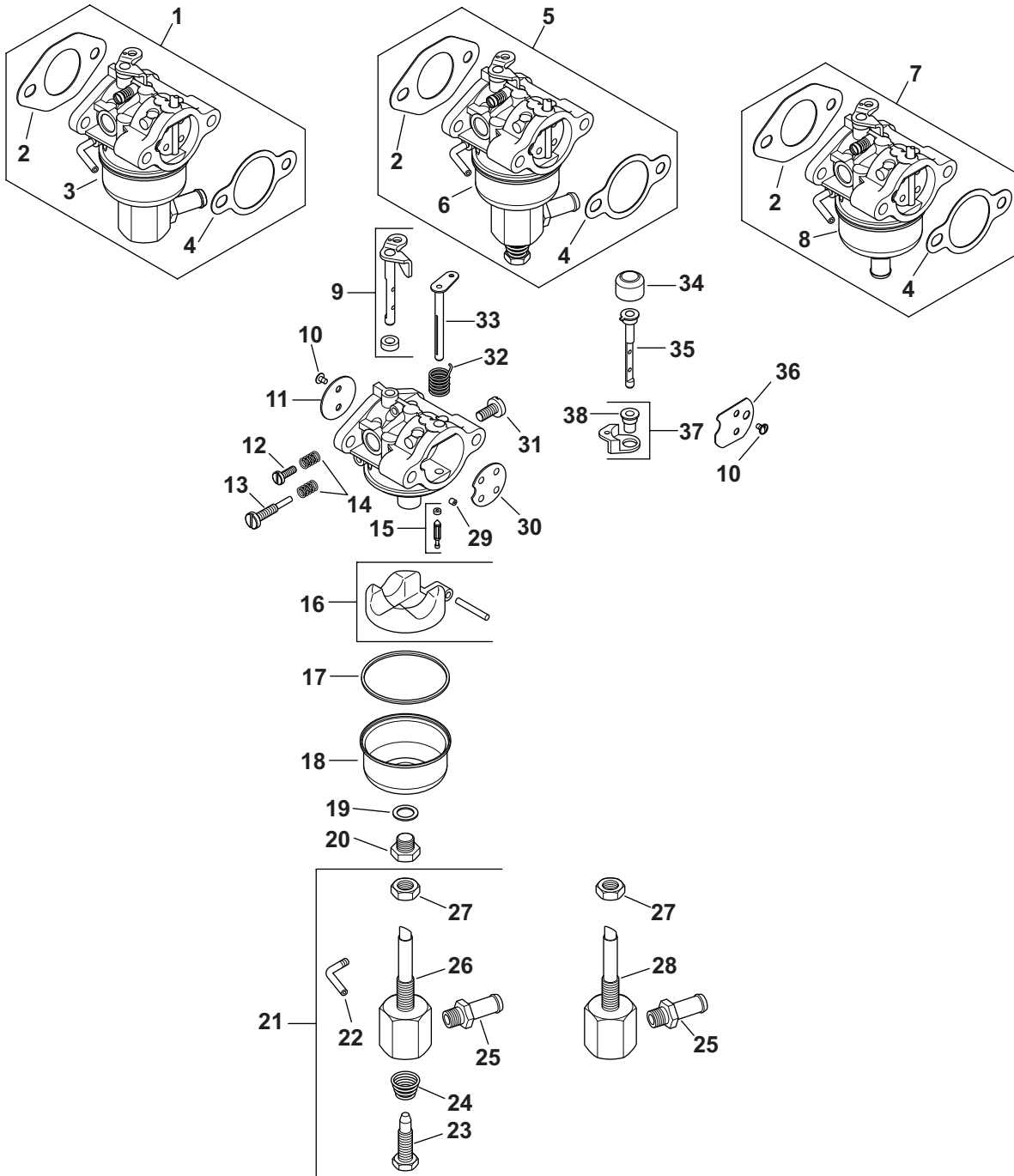
NOT ILLUSTRATED		
K1	12 755 68-S	KIT, HIGH ALTITUDE (*5-10,000) (INCLUDES 2,4,18,20, 25 113 38-S, HIGH ALTITUDE JET)
K2	12 755 92-S	KIT, HIGH ALTITUDE (*5-10,000) (INCLUDES 2,4,18, 25 113 38-S, HIGH ALTITUDE JET)
K3	12 755 108-S	KIT, HIGH ALTITUDE (*5-10,000) (INCLUDES 2,4,18, 12 454 03-S, 25 113 38-S, HIGH ALTITUDE JET)
K4	12 755 109-S	KIT, HIGH ALTITUDE (*10,000+) (INCLUDES 2,4,18, 12 454 03-S, 25 113 38-S, HIGH ALTITUDE JET)
K5	12 755 110-S	KIT, REPAIR CHOKE (INCLUDES 2,4,28,29)
K6	12 757 01-S	KIT, CARBURETOR REPAIR (INCLUDES 2,4,15,18,20, 12 032 06-S)
K7	12 757 02-S	KIT, REPAIR FLOAT (INCLUDES 16)
K8	12 757 03-S	KIT, REPAIR CARBURETOR (INCLUDES 2,4,15,18,20, 12 032 06-S)
K9	12 757 08-S	KIT, CHOKE REPAIR (INCLUDES 2,4,10,26-30)
K10	12 757 11-S	KIT, CHOKE REPAIR (INCLUDES 2,4,10,26-30)
K11	12 757 13-S	KIT, CHOKE REPAIR (INCLUDES 2,4,10,26-30)
K12	12 757 27-S	KIT, REPAIR CARBURETOR (INCLUDES 2,4,12,14-18,20)
K13	12 757 28-S	KIT, REPAIR SOLENOID (INCLUDES 2,4,18,32)
K14	12 757 29-S	KIT, CHOKE REPAIR W/GASKET (INCLUDES 2,4,10,26-30, 25 597 06-S)
K15	12 757 30-S	KIT, REPAIR CHOKE (INCLUDES 2,4,10,24,25,30)
K16	12 757 31-S	KIT, REPAIR GASKET (INCLUDES 2,4,18,20)
K17	12 757 33-S	KIT, REPAIR SOLENOID (INCLUDES 18,32, 12 454 03-S, 25 452 20-S)
K18	12 757 34-S	KIT, CHOKE LEVER REPAIR (INCLUDES 10,27-29)
K19	12 757 36-S	KIT, THROTTLE SHAFT BEARING
K20	12 757 37-S	KIT, REPAIR BOWL REPLACEMENT (INCLUDES 2,4,17-20)
	12 032 06-S	SEAL, SOLENOID
	12 454 03-S	WIRE TIE
	25 113 38-S	DECAL, HIGH ALTITUDE
	25 452 20-S	TERMINAL
	25 597 06-S	SEALER, LOCTITE

* - Altitudes are given in feet. 1,000 Feet = 304.8 Meters.



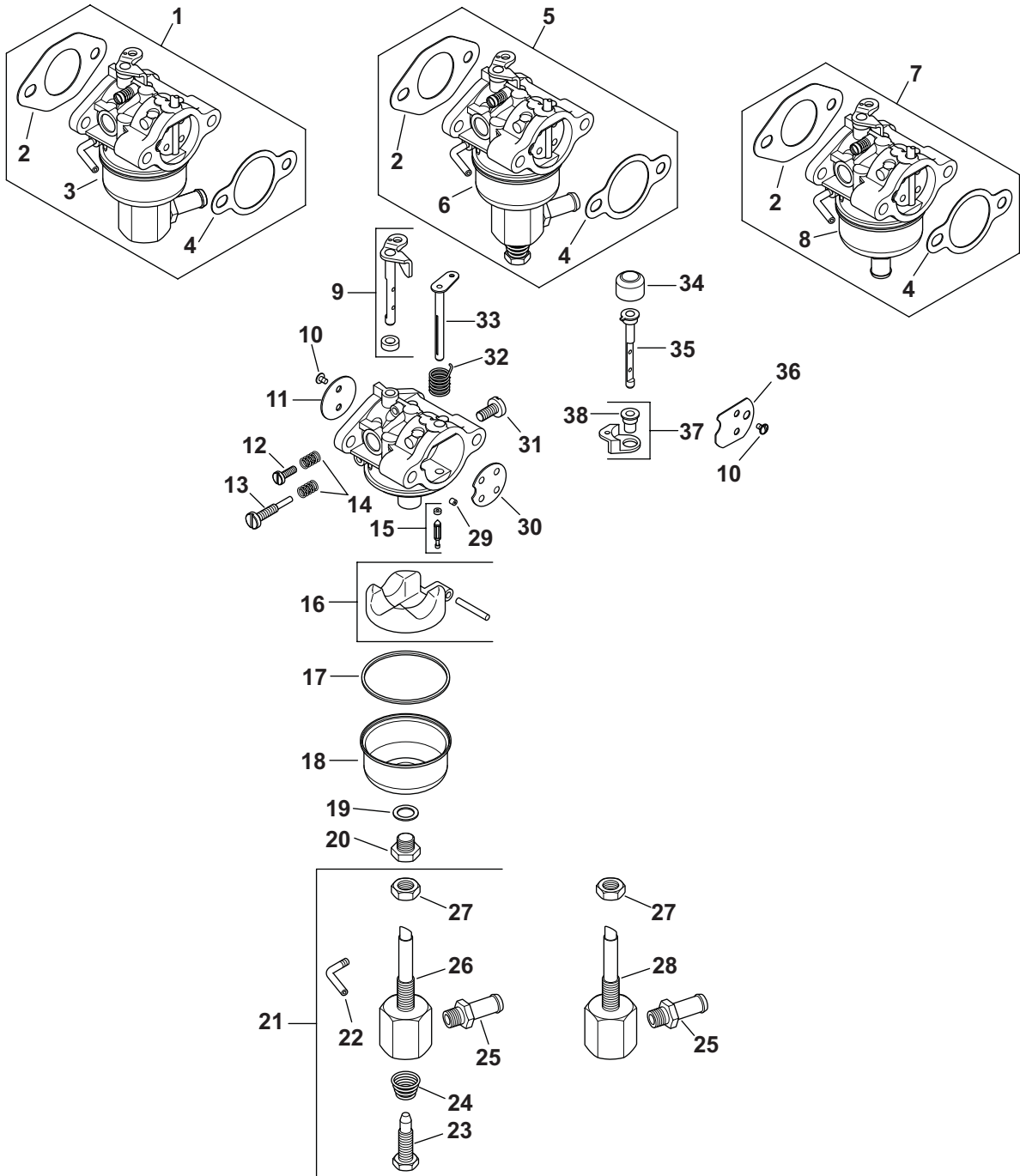
Command Single - LP

Carburetor Ref. Number	Service Carburetor	Gasket, Carburetor (2)	Gasket, Air Cleaner (4)	Shaft, Throttle (9)	Screw, Valve (10)	Carburetor Ref. Number
12 053 20 (6)	USE SPEC			12 144 09-S	25 086 27-S	12 053 20 (6)
12 053 31 (6)	12 853 25-S (5)	12 041 01-S	12 041 02-S	12 144 09-S	25 086 27-S	12 053 31 (6)
12 053 33 (6)	12 853 30-S (5)	12 041 01-S	12 041 02-S	12 144 09-S	25 086 27-S	12 053 33 (6)
12 053 38 (3)	12 853 34-S (1)	12 041 01-S	12 041 02-S	12 144 09-S	25 086 27-S	12 053 38 (3)
12 053 89 (6)	12 853 89-S (5)	12 041 01-S	12 041 02-S	12 144 09-S	25 086 27-S	12 053 89 (6)
12 053 100* (8)	12 853 161-S (7)	12 041 01-S	12 041 02-S	No Spare Parts Available		12 053 100* (8)
12 053 121* (8)	12 853 161-S (7)	12 041 01-S	12 041 02-S			12 053 121* (8)
12 053 161 (8)	12 853 161-S (7)	12 041 01-S	12 041 02-S			12 053 161 (8)
42 053 04 (8)	42 853 04-S (7)	12 041 01-S	12 041 02-S	12 144 09-S	25 086 27-S	42 053 04 (8)



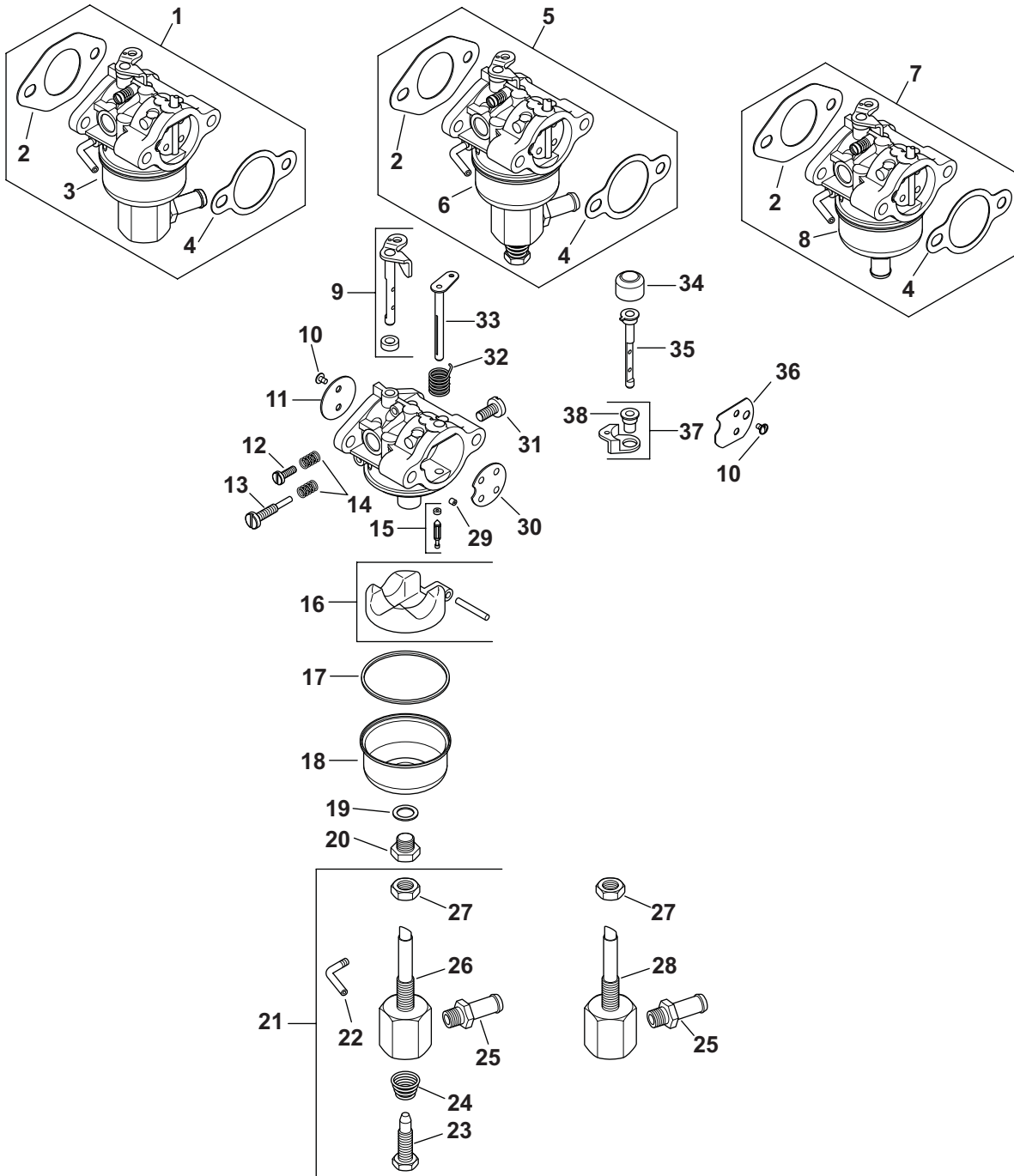
Command Single - LP

Carburetor Ref. Number	Plate, Throttle (11)	Screw, Throttle Adjusting (12)	Spring, Throttle Idle Needle (14)	Bowl (18)	Screw, Fuel Bowl Retainer (20)	Tube, Vacuum (22)
12 053 20 (6)	12 146 03-S	12 086 04-S		12 104 01-S		12 123 14-S
12 053 31 (6)	12 146 03-S	12 086 04-S		12 104 01-S	12 086 05-S	12 123 14-S
12 053 33 (6)	12 146 03-S	12 086 04-S		12 104 01-S	12 086 05-S	
12 053 38 (3)	12 146 03-S	12 086 04-S		12 104 01-S	12 086 05-S	
12 053 89 (6)	12 146 03-S	12 086 04-S	12 089 09-S	12 104 01-S	12 086 05-S	
12 053 100* (8)	No Spare Parts Available					
12 053 121* (8)						
12 053 161 (8)						
42 053 04 (8)	12 146 03-S	12 086 04-S	12 089 09-S	12 104 01-S	12 086 05-S	



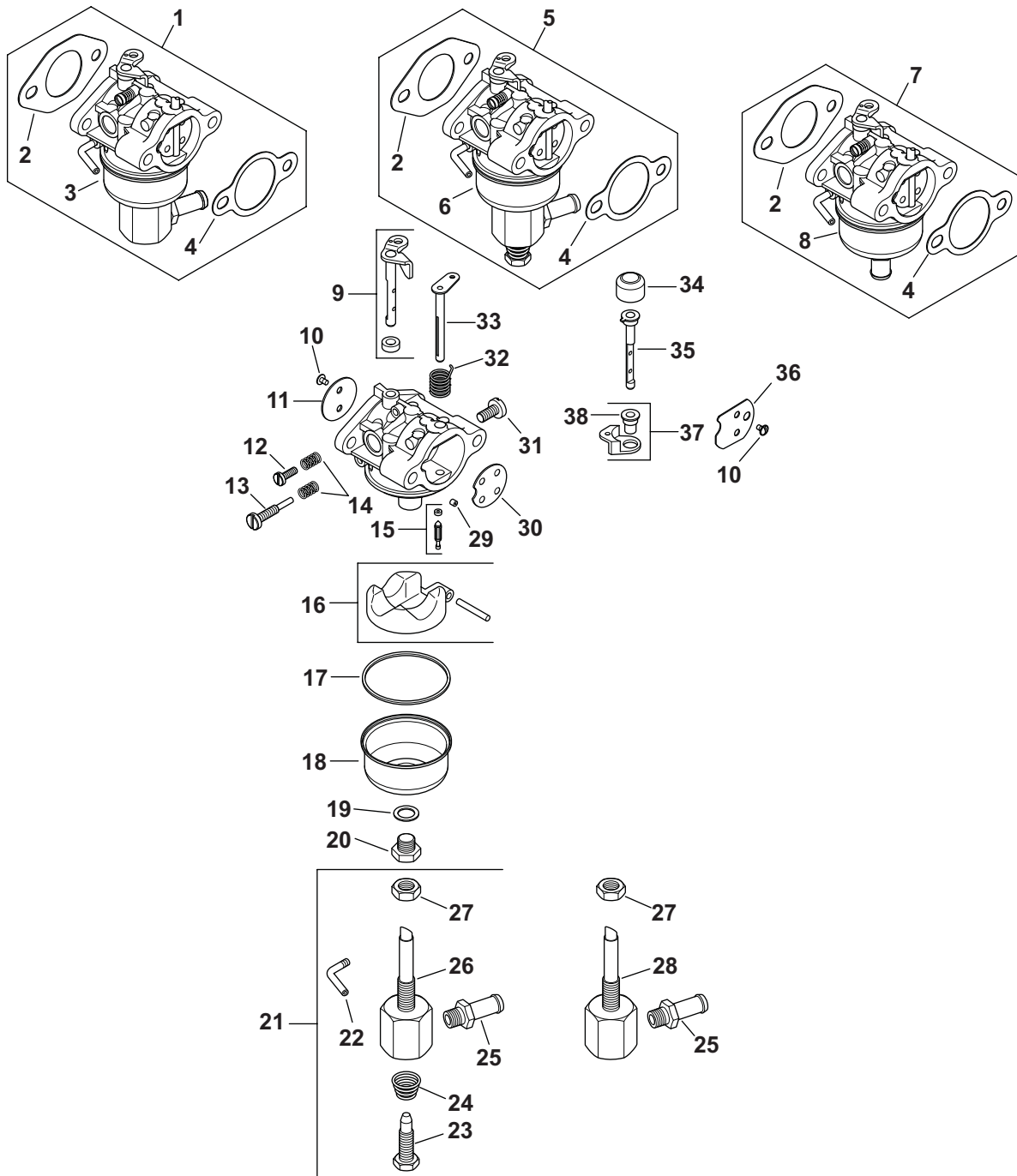
Command Single - LP

Screw, Power Adjustment (23)	Spring, Idle Adjustment (24)	Fitting, Hose to Pipe (25)	Nut, 3/8-24, Jam, Grade 2 (27)	Valve, Metering (28)	Plate, Choke (30 or 36)	Carburetor Ref. Number
					12 146 09-S	12 053 20 (6)
12 086 19-S	12 089 22-S	12 294 04-S	12 100 03-S		12 146 12-S	12 053 31 (6)
					12 146 12-S	12 053 33 (6)
		12 294 04-S	12 100 03-S	12 462 07-S	12 146 12-S	12 053 38 (3)
					12 146 12-S	12 053 89 (6)
No Spare Parts Available						12 053 100* (8)
						12 053 121* (8)
						12 053 161 (8)
					12 146 12-S	42 053 04 (8)



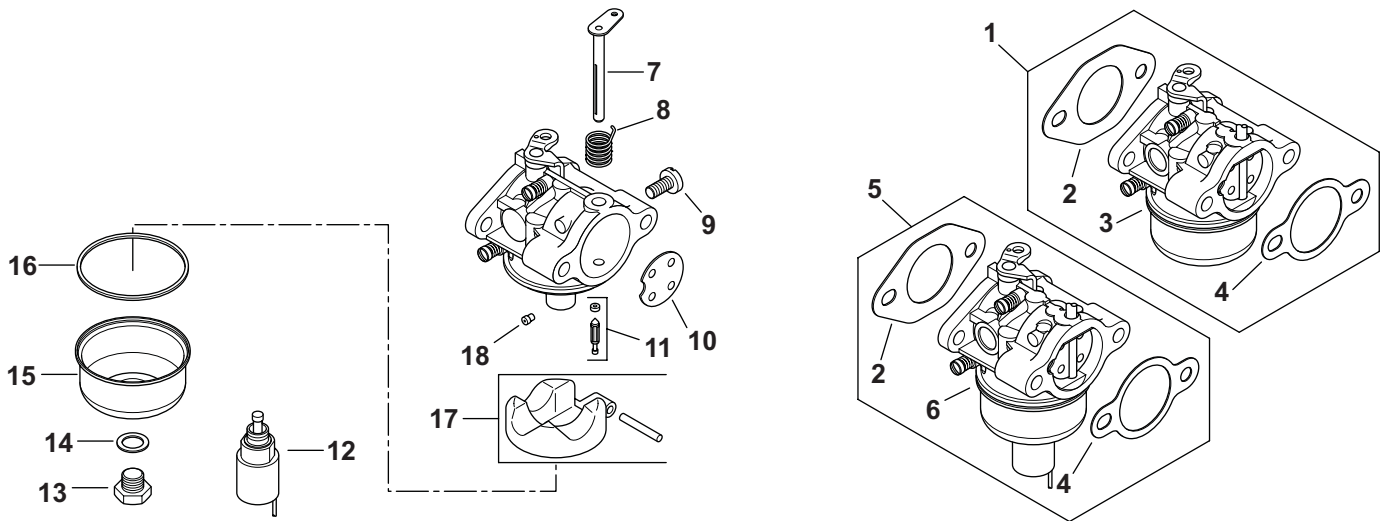
Command Single - LP

Carburetor Ref. Number	Spring (32)	Shaft Assembly, Choke (33 or 35)	Cap, Choke Lever (34)	Bushing, Choke (38)	Service Kits Available - See Page 4.13
12 053 20 (6)	12 089 10-S	12 144 08-S			K1
12 053 31 (6)		12 144 20-S	12 173 06-S	12 158 01-S	K1,K2,K3,K4
12 053 33 (6)		12 144 20-S	12 173 06-S	12 158 01-S	K2,K3,K4
12 053 38 (3)		12 144 20-S	12 173 06-S	12 158 01-S	K3
12 053 89 (6)		12 144 20-S	12 173 06-S	12 158 01-S	K2,K3,K4
12 053 100* (8)	No Spare Parts Available				
12 053 121* (8)					K4
12 053 161 (8)					K4
42 053 04 (8)		12 144 20-S	12 173 06-S	12 158 01-S	K2,K3



Command Single - LP

NOT ILLUSTRATED		
K1	12 757 07-S	KIT, REPAIR CARBURETOR REPAIR (INCLUDES 21-27)
K2	12 757 13-S	KIT, REPAIR CHOKE (INCLUDES 2,4,10,34-38)
K3	12 757 34-S	KIT, CHOKE LEVER REPAIR (INCLUDES 10,35,37,38)
K4	12 757 37-S	KIT, REPAIR BOWL REPLACEMENT (INCLUDES 2,4,17-20)
	25 158 08-S	BUSHING, LINKAGE RETAINING (INCLUDED IN SERVICE CARBURETOR 12 853 161-S)



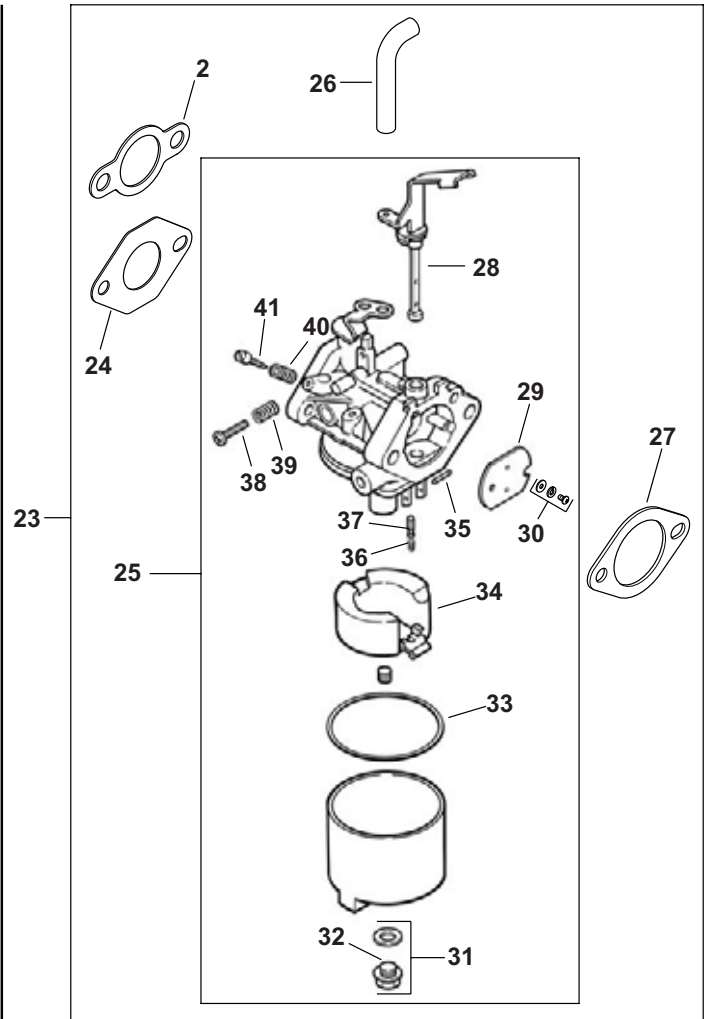
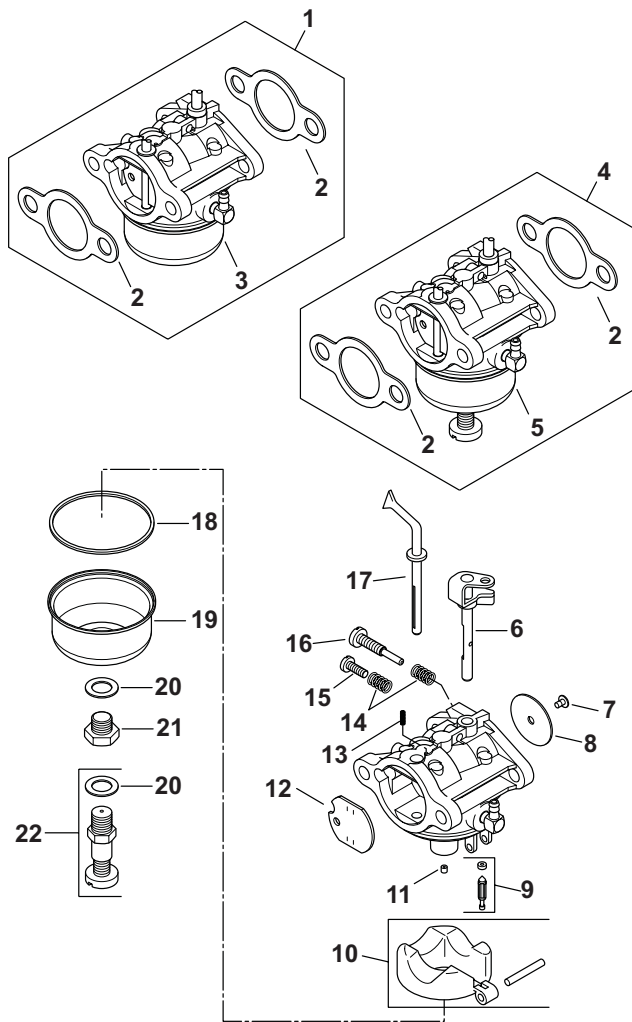
Courage Single

Carburetor Ref. Number	Service Carburetor	Gasket, Carburetor (2)	Gasket, Air Cleaner (4)	Gasket, Bowl Screw (14)	Gasket, Fuel Bowl (16)	Available Service Kits
20 053 01* (3)	20 853 14-S (1)	12 041 01-S	12 041 02-S	25 041 03-S		K1,K2,K5
20 053 02* (3)	20 853 16-S (1)	12 041 01-S	12 041 02-S	25 041 03-S		K1,K2,K5
20 053 03* (6)	20 853 18-S (5)	12 041 01-S	12 041 02-S	25 041 03-S	12 041 05-S	K3,K4,K5,K6,K7,K8,K9
20 053 04* (3)	20 853 15-S (1)	12 041 01-S	12 041 02-S	25 041 03-S		K1,K2,K5
20 053 05* (3)	20 853 17-S (1)	12 041 01-S	12 041 02-S	25 041 03-S		K1,K2,K5
20 053 06* (3)	20 853 19-S (1)	12 041 01-S	12 041 02-S	25 041 03-S		K3,K4,K5
20 053 07* (6)	20 853 20-S (5)	12 041 01-S	12 041 02-S	25 041 03-S	12 041 05-S	K1,K2,K5,K6,K7,K8,K9
20 053 14 (6)	20 853 14-S (5)	12 041 01-S	12 041 02-S	25 041 03-S	12 041 05-S	K1,K2,K5,K6,K7,K8,K9
20 053 15 (3)	20 853 15-S (1)	12 041 01-S	12 041 02-S	25 041 03-S	12 041 05-S	K1,K2,K5,K6,K7,K9
20 053 16 (6)	20 853 16-S (5)	12 041 01-S	12 041 02-S	25 041 03-S	12 041 05-S	K1,K2,K5,K6,K7,K8,K9
20 053 17 (3)	20 853 17-S (1)	12 041 01-S	12 041 02-S	25 041 03-S	12 041 05-S	K1,K2,K5,K6,K7,K9
20 053 18 (6)	20 853 18-S (5)	12 041 01-S	12 041 02-S	25 041 03-S	12 041 05-S	K3,K4,K5,K6,K7,K8,K9
20 053 19 (3)	20 853 19-S (3)	12 041 01-S	12 041 02-S	25 041 03-S	12 041 05-S	K3,K4,K5,K6,K7,K9
20 053 20 (6)	20 853 20-S (5)	12 041 01-S	12 041 02-S	25 041 03-S	12 041 05-S	K1,K2,K5,K6,K7,K8,K9
20 053 21* (6)	20 853 44-S (5)	12 041 01-S	12 041 02-S	25 041 03-S	12 041 05-S	K1,K2,K6,K7,K8,K9
20 053 22* (6)	20 853 45-S (5)	12 041 01-S	12 041 02-S	25 041 03-S	12 041 05-S	K1,K2,K6,K7,K8,K9
20 053 23 (6)	20 853 23-S (5)	12 041 01-S	12 041 02-S	25 041 03-S	12 041 05-S	K3,K4,K6,K7,K8, K9
20 053 42 (6)	20 853 42-S (5)	12 041 01-S	12 041 02-S	25 041 03-S	12 041 05-S	K1,K2,K5,K6,K7,K8,K9
20 053 43 (6)	20 853 43-S (5)	12 041 01-S	12 041 02-S	25 041 03-S	12 041 05-S	K1,K2,K5,K6,K7,K8,K9
20 053 44 (6)	20 853 44-S (5)	12 041 01-S	12 041 02-S	25 041 03-S	12 041 05-S	K1,K2,K6,K7,K6,K9
20 053 45 (6)	20 853 45-S (5)	12 041 01-S	12 041 02-S	25 041 03-S	12 041 05-S	K1,K2,K6,K7,K8,K9

NOT ILLUSTRATED (The following kits are available for all of the Carburetors listed on this page.)

K1	20 755 06-S	KIT, HIGH ALTITUDE (*5-10,000) (INCLUDES 2,4,18, 25 113 38-S, 12 454 03-S)				
K2	20 755 07-S	KIT, HIGH ALTITUDE (*10,000+) (INCLUDES 2,4,18, 25 113 38-S, 12 454 03-S)				
K3	20 755 08-S	KIT, HIGH ALTITUDE (*5-10,000) (INCLUDES 2,4,18, 25 113 38-S, 12 454 03-S)				
K4	20 755 09-S	KIT, HIGH ALTITUDE (*10,000+) (INCLUDES 2,4,18, 25 113 38-S, 12 454 03-S)				
K5	12 755 110-S	KIT, REPAIR CHOKE (INCLUDES 2,4,7,8)				
K6	12 757 02-S	KIT, REPAIR FLOAT (INCLUDES 17)				
K7	12 757 03-S	KIT, REPAIR CARBURETOR OVERHAUL (INCLUDES 2,4,11,14,16, 12 032 06-S)				
K8	12 757 33-S	KIT, REPAIR SOLENOID (INCLUDES 12,14, 12 454 03-S, 12 032 06-S, 25 452 20-S)				
K9	12 757 37-S	KIT, REPAIR BOWL REPLACEMENT (INCLUDES 2,4,13-16)				
	12 032 06-S	SEAL, SOLENOID				
	12 454 03-S	WIRE TIE				
	25 113 38-S	DECAL, HIGH ALTITUDE				
	25 452 20-S	TERMINAL				

* - Altitudes are given in feet. 1,000 Feet = 304.8 Meters.

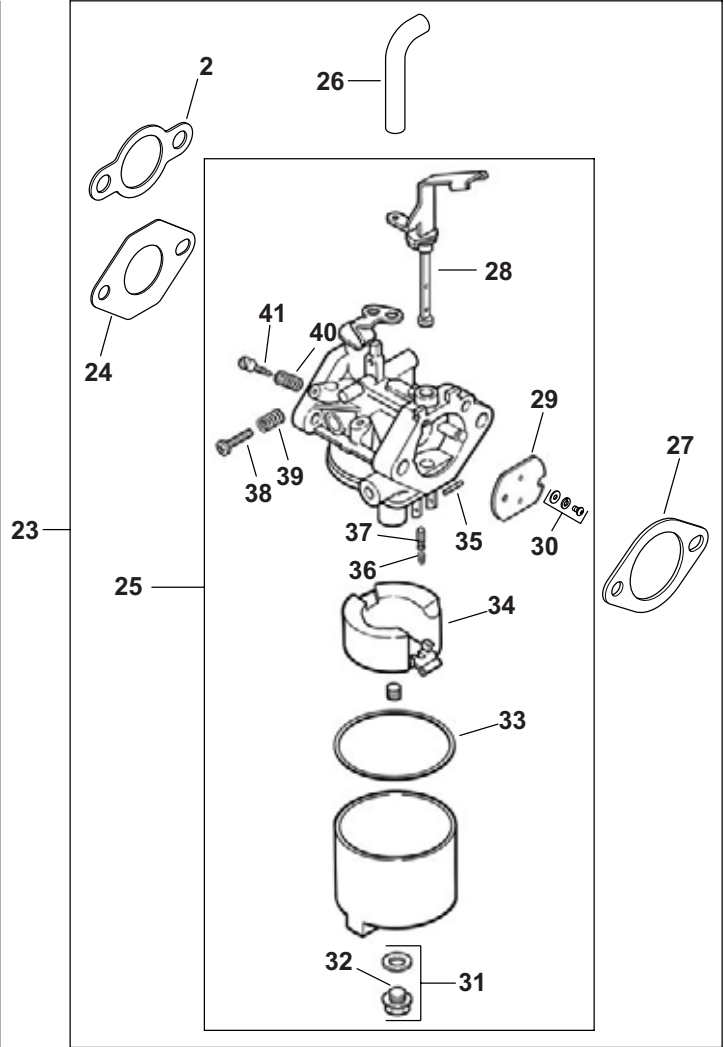
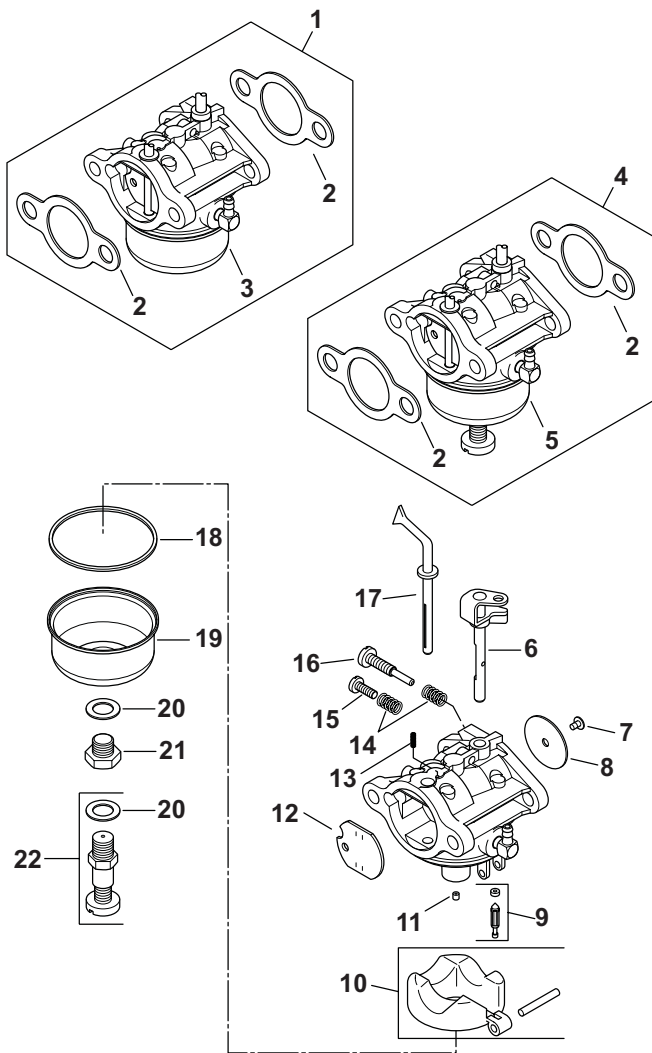


Command 5 HP & 6 HP

Service Carburetor	Gasket, Carburetor (2)	Gasket, Carburetor (24)	Gasket, Air Cleaner (27)	Shaft, Throttle (6)	Plate, Throttle (8)	Screw, Valve (7)	Jet, Main (11)	Carburetor Ref. Number
15 853 04-S (4)	15 041 02-S [QTY2]			15 144 05-S	15 146 04-S	25 086 27-S	12 337 02-S	15 053 01* (3)
15 853 02-S (1)	15 041 02-S [QTY2]				15 146 04-S	25 086 27-S	12 337 02-S	15 053 02 (3)
15 853 04-S (4)	15 041 02-S [QTY2]			15 144 05-S	15 146 04-S	25 086 27-S		15 053 04 (5)
15 853 05-S (23)	15 041 02-S	15 041 07-S	15 041 06-S					15 053 05 (25)
15 853 07-S (23)		15 041 07-S	15 041 06-S	No Spare Parts Available				15 053 07 (25)

Plate, Choke (12)	Spring, Choke Return (13)	Spring, Adjusting (14)	Screw, Throttle Adjusting (15)	Needle, Idle Mixture (16)	Shaft Assembly, Choke (17)	Gasket, Fuel Bowl	Bowl (19)	Carburetor Ref. Number
15 146 03-S	15 089 05-S	12 089 09-S	12 086 04-S	15 368 02-S	15 144 04-S	12 041 05-S (18)	12 104 01-S	15 053 01* (3)
15 146 03-S	15 089 05-S	12 089 09-S	12 086 04-S	15 368 02-S	15 144 04-S	12 041 05-S (18)	12 104 01-S	15 053 02 (3)
15 146 03-S	15 089 05-S	12 089 09-S	12 086 04-S	15 368 02-S	15 144 04-S	12 041 05-S (18)	12 104 01-S	15 053 04 (5)
						15 041 08-S (33)		15 053 05 (25)
No Spare Parts Available								15 053 07 (25)

Screw, Fuel Bowl Retainer	Gasket, Bowl Screw (20)	Hose, Bowl Vent (26)	Kit, Main Jet Bolt (31) [Includes 32]	Spring (36)	Pin (35)	Valve (37)	Service Kits Available - See Page 4.16	Carburetor Ref. Number
12 086 05-S (21)	12 041 06-S (REF)						K1,K2,K3	15 053 01* (3)
12 086 05-S (21)	12 041 06-S (REF)						K1,K2,K3	15 053 02 (3)
12 086 05-S (21)	12 041 06-S (REF)						K1,K3,K4	15 053 04 (5)
24 086 11-S (32)		15 326 03-S	15 211 01-S	15 089 11-S	15 380 02-S	15 462 01-S	K5,K6,K7,K8	15 053 05 (25)
No Spare Parts Available								15 053 07 (25)



Command 5 HP & 6 HP

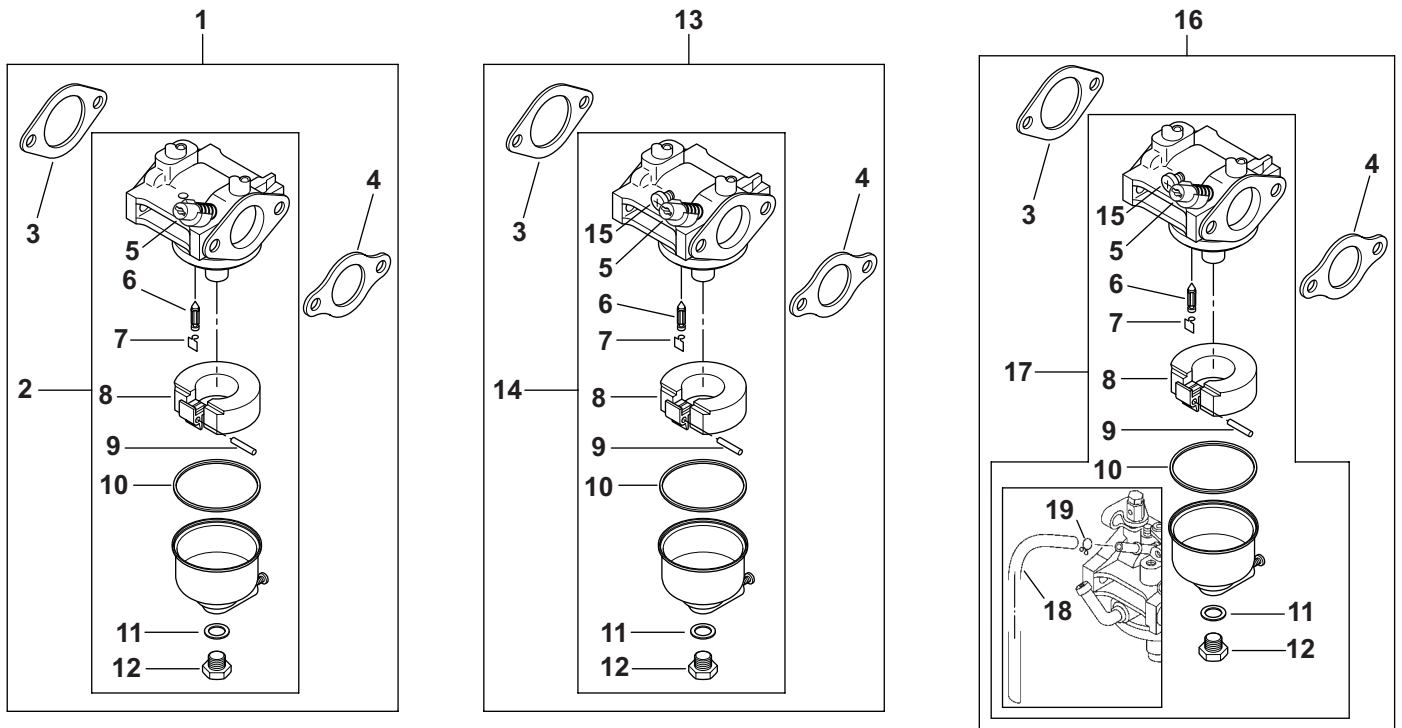
NOT ILLUSTRATED (Order Service Kits according to Carburetor Manufacturer.)

For Service of Walbro Carburetors

K1	12 757 02-S	KIT, REPAIR FLOAT (INCLUDES 10)
K2	15 755 03-S	KIT, HIGH ALTITUDE (INCLUDES 2,18,20, HIGH ALTITUDE NEEDLE)
K3	15 757 02-S	KIT, CARBURETOR REPAIR (INCLUDES 2,9,18, WELCH PLUG)
K4	15 755 15-S	KIT, NEEDLE W/GASKET (INCLUDES 22)

For Service of Keihin Carburetors

K5	15 757 03-S	KIT, REPAIR FLOAT (INCLUDES ITEM 31-37)
K6	15 757 07-S	KIT, REPAIR CARB. OVERHAUL (INCLUDES ITEMS 24,27,31-41)
K7	15 757 08-S	KIT, REPAIR CHOKE (INCLUDES ITEMS 24,27-30, 25 597 06-S)
K8	15 757 09-S	KIT, REPAIR GASKET(INCLUDES 24,27,33, BOWL SCREW GASKET)



Command Pro CS Series 4 HP & 6 HP

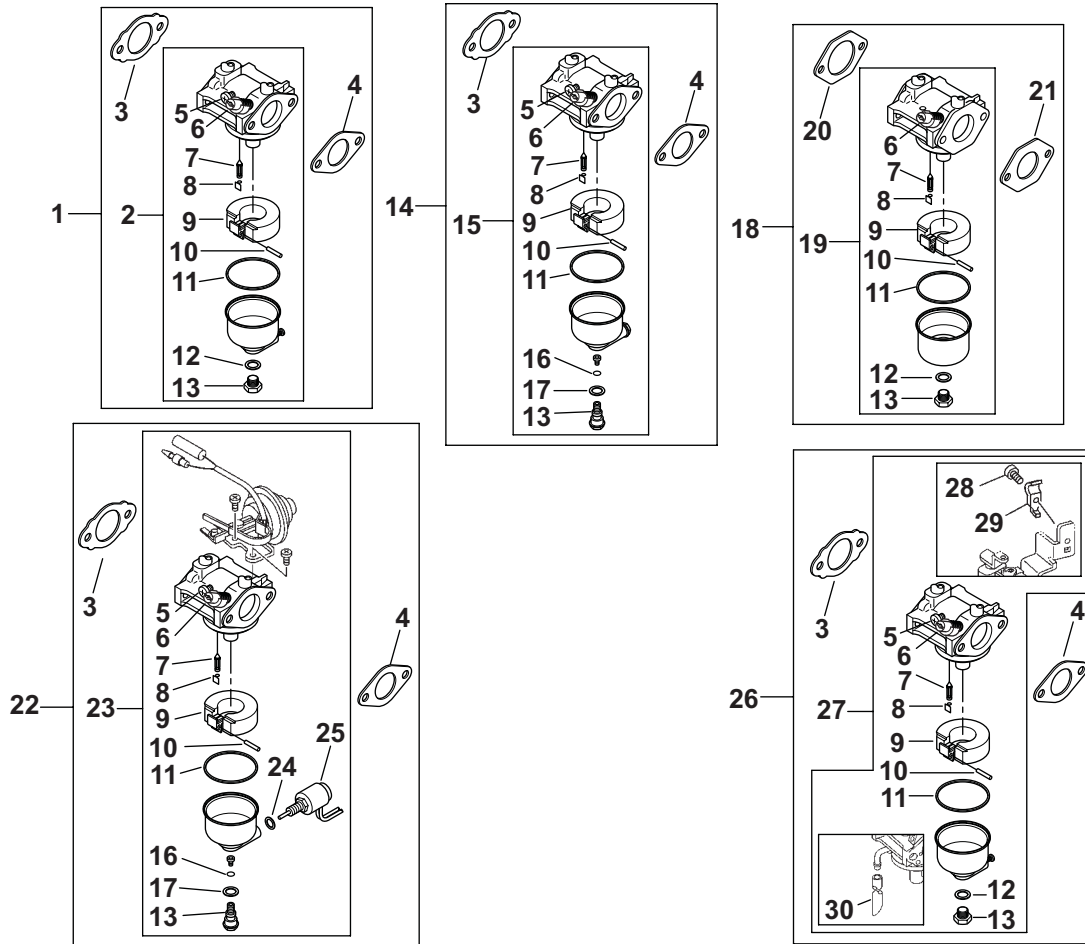
Service Carburetor	Gasket, Air Cleaner (3)	Gasket, Carburetor (4)	Cap, Carburetor Adjusting (5)	Gasket, Fuel Bowl (10)	Gasket, Bowl Screw (11)	Carburetor Ref. Number
63 853 04-S (13)	63 041 20-S	63 041 19-S	63 173 07-S	63 041 28-S	63 041 29-S	63 053 04 (14)
63 853 05-S (13)	63 041 20-S	63 041 19-S	63 173 07-S	63 041 28-S	63 041 29-S	63 053 05 (14)
63 853 08-S (1)	63 041 20-S	63 041 19-S	63 173 07-S	63 041 28-S	63 041 29-S	63 053 08 (2)
63 853 15-S (1)	63 041 20-S	63 041 19-S	63 173 07-S	63 041 28-S	63 041 29-S	63 053 15 (2)
63 853 33-S (16)	63 041 20-S	63 041 19-S	63 173 07-S	63 041 28-S	63 041 29-S	63 053 19* (2)
63 853 28-S (13)	63 041 20-S	63 041 19-S	63 173 07-S	63 041 28-S	63 041 29-S	63 053 28 (14)
63 853 29-S (1)	63 041 20-S	63 041 19-S	63 173 07-S	63 041 28-S	63 041 29-S	63 053 29 (2)
63 853 33-S (16)	63 041 20-S	63 041 19-S	63 173 07-S	63 041 28-S	63 041 29-S	63 053 33 (17)

Screw, Float Bowl (12)	Screw, Throttle (15)	Hose, Plastic (18)	Clip, Wire (19)	Available Service Kits	Carburetor Ref. Number
63 086 71-S	63 086 65-S			K1,K3,K9,K10	63 053 04 (14)
63 086 71-S	63 086 65-S			K2,K5,K9,K10	63 053 05 (14)
63 086 71-S				K5,K8,K9,K10	63 053 08 (2)
63 086 71-S				K4,K7,K9,K10	63 053 15 (2)
63 086 71-S				K5,K8,K9,K10	63 053 19* (2)
63 086 71-S	63 086 65-S			K2,K5,K9,K10	63 053 28 (14)
63 086 71-S				K3,K6,K9,K10	63 053 29 (2)
63 086 71-S	63 086 65-S	63 326 15-S	63 154 09-S	K5,K8,K9,K10	63 053 33 (17)

NOT ILLUSTRATED (The following kits are available for all of the Carburetors listed on this page.)

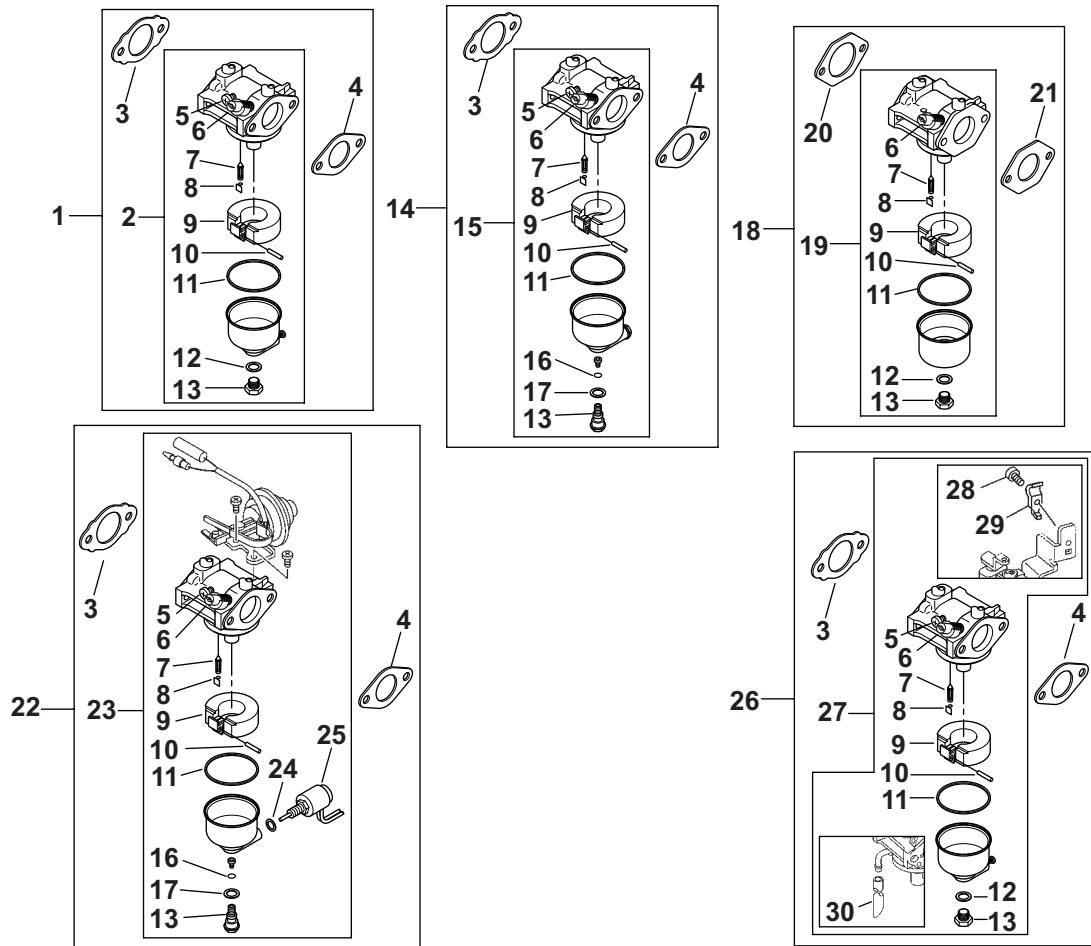
K1	63 755 20-S	4 HP HIGH ALT KIT (*4-8,000) (INCLUDES 3,4,11,12, 25 113 38-S, HIGH ALTITUDE JET)
K2	63 755 21-S	6 HP HIGH ALT KIT (*4-8,000) (INCLUDES 3,4,11,12, 25 113 38-S, HIGH ALTITUDE JET)
K3	63 755 22-S	4 HP HD, HIGH ALT KIT (*4-8,000) (INCLUDES 3,4,11,12, 25 113 38-S, HIGH ALTITUDE JET)
K4	63 755 23-S	6 HP HD, HIGH ALT KIT (*4-8,000) (INCLUDES 3,4,11,12, 25 113 38-S, HIGH ALTITUDE JET)
K5	63 755 24-S	6 HP HIGH ALT KIT (*8,000+) (INCLUDES 3,4,11,12, 25 113 38-S, HIGH ALTITUDE JET)
K6	63 755 25-S	4 HP HD, HIGH ALT KIT (*8,000+) (INCLUDES 3,4,11,12, 25 113 38-S, HIGH ALTITUDE JET)
K7	63 755 26-S	6 HP HD, HIGH ALT KIT (*8,000+) (INCLUDES 3,4,11,12, 25 113 38-S, HIGH ALTITUDE JET)
K8	63 755 38-S	6 HP W/MZ A/C ALT KIT (*8,000+) (INCLUDES 3,4,11,12, 25 113 38-S, HIGH ALTITUDE JET)
K9	63 757 04-S	KIT, CARBURETOR REPAIR (CS4,6) (INCLUDES 3,4,6,7,10,11)
K10	63 757 05-S	KIT, CARBURETOR FLOAT (CS4,6) (INCLUDES 3,4,8-11)
	25 113 38-S	DECAL, HIGH ALTITUDE

* - Altitudes are given in feet. 1,000 Feet = 304.8 Meters.



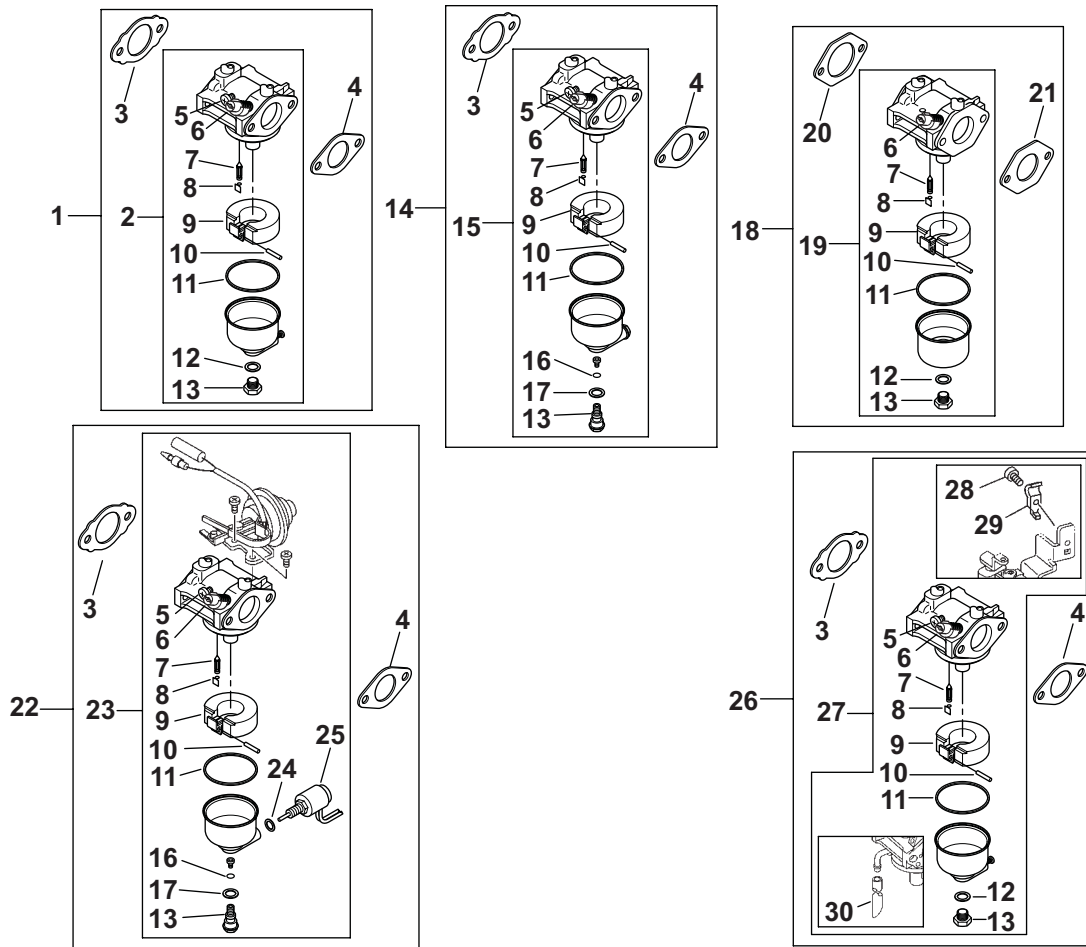
Command Pro CS Series 8.5-12 HP

Carburetor Ref. Number	Service Carburetor	Gasket, Carburetor	Gasket, Air Cleaner	Screw, Throttle (5)	Cap, Carburetor Adjusting (6)	Screw, Float Bowl (13)	O-Ring (16)
63 053 01 (2)	63 853 01-S (1)	63 041 13-S (4)	63 041 08-S (3)	63 086 65-S	63 173 07-S	63 086 72-S	
63 053 02 (2)	63 853 02-S (1)	63 041 13-S (4)	63 041 08-S (3)	63 086 65-S	63 173 07-S	63 086 72-S	
63 053 03 (2)	63 853 03-S (1)	63 041 13-S (4)	63 041 08-S (3)	63 086 65-S	63 173 07-S	63 086 72-S	
63 053 06 (2)	63 853 06-S (1)	63 041 13-S (4)	63 041 08-S (3)	63 086 65-S	63 173 07-S	63 086 72-S	
63 053 07 (15)	63 853 07-S (14)	63 041 13-S (4)	63 041 08-S (3)	63 086 65-S	63 173 07-S	63 086 64-S	63 153 08-S
63 053 10 (19)	63 853 10-S (18)	63 041 38-S (21)	63 041 39-S (20)		63 173 07-S	63 086 63-S	
63 053 11 (19)	63 853 11-S (18)	63 041 38-S (21)	63 041 39-S (20)		63 173 07-S	63 086 63-S	
63 053 12 (2)	63 853 12-S (1)	63 041 13-S (4)	63 041 08-S (3)	63 086 65-S	63 173 07-S	63 086 72-S	
63 053 13 (2)	66 853 13-S (1)	63 041 13-S (4)	63 041 08-S (3)		63 173 07-S	63 086 72-S	
63 053 14 (2)	63 853 14-S (1)	63 041 13-S (4)	63 041 08-S (3)	63 086 65-S	63 173 07-S	63 086 72-S	
63 053 16 (23)	63 853 16-S (22)	63 041 13-S (4)	63 041 08-S (3)	63 086 65-S	63 173 07-S	63 086 64-S	63 153 08-S
63 053 17 (19)	63 853 17-S (18)	63 041 38-S (21)	63 041 39-S (20)		63 173 07-S	63 086 63-S	
63 053 18 (19)	63 853 18-S (18)	63 041 38-S (21)	63 041 39-S (20)		63 173 07-S	63 086 63-S	
63 053 20 (2)	63 853 20-S (1)	63 041 13-S (4)	63 041 08-S (3)	63 086 65-S	63 173 07-S	63 086 72-S	
63 053 21 (2)	63 853 21-S (1)	63 041 13-S (4)	63 041 08-S (3)	63 086 65-S	63 173 07-S	63 086 72-S	
63 053 22 (27)	63 853 22-S (26)	63 041 13-S (4)	63 041 08-S (3)	63 086 65-S	63 173 07-S	63 086 72-S	
63 053 23 (2)	63 853 23-S (1)	63 041 13-S (4)	63 041 08-S (3)	63 086 65-S	63 173 07-S	63 086 72-S	
63 053 25 (2)	63 853 25-S (1)	63 041 13-S (4)	63 041 08-S (3)	63 086 65-S	63 173 07-S	63 086 72-S	
63 053 26 (2)	63 853 26-S (1)	63 041 13-S (4)	63 041 08-S (3)	63 086 65-S	63 173 07-S	63 086 72-S	
63 053 27 (2)	63 853 27-S (1)	63 041 13-S (4)	63 041 08-S (3)	63 086 65-S	63 173 07-S	63 086 72-S	
63 053 30 (2)	63 853 30-S (1)	63 041 13-S (4)	63 041 08-S (3)	63 086 65-S	63 173 07-S	63 086 72-S	
63 053 31 (2)	63 853 31-S (1)	63 041 13-S (4)	63 041 08-S (3)	63 086 65-S	63 173 07-S	63 086 72-S	
63 053 32 (15)	63 853 32-S (14)	63 041 13-S (4)	63 041 08-S (3)	63 086 65-S	63 173 07-S	63 086 64-S	63 153 08-S
63 053 34 (2)	63 853 34-S (1)	63 041 13-S (4)	63 041 08-S (3)	63 086 65-S	63 173 07-S	63 086 72-S	
63 053 35 (2)	63 853 35-S (1)	63 041 13-S (4)	63 041 08-S (3)	63 086 65-S	63 173 07-S	63 086 72-S	
63 053 36 (2)	63 853 36-S (1)	63 041 13-S (4)	63 041 08-S (3)	63 086 65-S	63 173 07-S	63 086 72-S	



Command Pro CS Series 8.5-12 HP

Washer (17)	Washer (24)	Solenoid, Fuel Shutdown (25)	Screw (28)	Clamp, Bowden (29)	Hose, Carburetor Bleeder (30)	Available Service Kits - See Page 4.20	Carburetor Ref. Number
						K6,K8,K12,K13	63 053 01 (2)
						K4,K5,K12,K13	63 053 02 (2)
						K12,K13	63 053 03 (2)
						K12,K13	63 053 06 (2)
63 468 28-S						K5,K10,K12,K13	63 053 07 (15)
						K1,K3,K14,K15	63 053 10 (19)
						K1,K2,K15,K16	63 053 11 (19)
						K12,K13	63 053 12 (2)
						K7,K10,K13,K16	63 053 13 (2)
						K4,K11,K13,K16	63 053 14 (2)
63 468 28-S	63 468 29-S	63 435 02-S				K6,K8,K12,K13	63 053 16 (23)
						K14,K15	63 053 17 (19)
						K1,K3,K14,K15	63 053 18 (19)
						K4,K9,K13,K16	63 053 20 (2)
						K6,K8,K12,K13	63 053 21 (2)
			63 086 46-S	63 237 08-S	63 353 05-S	K5,K10,K13,K16	63 053 22 (27)
						K4,K9,K13,K16	63 053 23 (2)
						K6,K8,K13,K16	63 053 25 (2)
						K6,K8,K13,K16	63 053 26 (2)
						K6,K8,K13,K16	63 053 27 (2)
						K6,K8,K13,K16	63 053 30 (2)
						K8,K12,K13	63 053 31 (2)
63 468 28-S						K6,K8,K12,K13	63 053 32 (15)
						K6,K8,K13,K16	63 053 34 (2)
						K12,K13	63 053 35 (2)
						K6,K8,K13,K16	63 053 36 (2)



Command Pro CS Series 8.5-12 HP

NOT ILLUSTRATED		
K1	63 755 27-S	8.5 HP BASIC HIGH ALT KIT (*4-8,000) (INCLUDES 11,12, 25 113 38-S, HIGH ALTITUDE JET)
K2	63 755 28-S	8.5 HP HD HIGH ALT KIT (*4-8,000) (INCLUDES 11,12, 25 113 38-S, HIGH ALTITUDE JET)
K3	63 755 29-S	8.5 HP BASIC HIGH ALT KIT (*8,000+) (INCLUDES 11,12, 25 113 38-S, HIGH ALTITUDE JET)
K4	63 755 30-S	10 HP HIGH ALTITUDE KIT (INCLUDES 11,12, 25 113 38-S, HIGH ALTITUDE JET)
K5	63 755 31-S	10 HP ALT KIT (OLD *4-8,000) (INCLUDES 11,12, 25 113 38-S, HIGH ALTITUDE JET)
K6	63 755 32-S	12 HP HIGH ALT KIT (O&N *4-8,000) (INCLUDES 11,12, 25 113 38-S, HIGH ALTITUDE JET)
K7	63 755 33-S	10 HP HD ALT KIT (OLD *4-8,000) (INCLUDES 11,12, 25 113 38-S, HIGH ALTITUDE JET)
K8	63 755 34-S	12 HP HIGH ALT KIT (O&N *8,000+) (INCLUDES 11,12, 25 113 38-S, HIGH ALTITUDE JET)
K9	63 755 35-S	10 HP HIGH ALT KIT (NEW *8,000+) (INCLUDES 11,12, 25 113 38-S, HIGH ALTITUDE JET)
K10	63 755 36-S	10 HP HD HIGH ALT (OLD *8,000+) (INCLUDES 11,12, 25 113 38-S, HIGH ALTITUDE JET)
K11	63 755 37-S	12 HP HD HIGH ALT KIT (*8,000+) (INCLUDES 11,12, 25 113 38-S, HIGH ALTITUDE JET)
K12	63 757 01-S	CARBURETOR REPAIR KIT (CS10 & CS12) (INCLUDES 3,4,7,8,11,12, SEAL [WHITE])
K13	63 757 02-S	CARBURETOR FLOAT KIT (CS10 & CS12) (INCLUDES 3,4,9-12)
K14	63 757 07-S	CS8.5 CARBURETOR REPAIR KIT (INCLUDES 7,8,11,12,20,21)
K15	63 757 08-S	KIT, CS8.5 CARBURETOR FLOAT (INCLUDES 20,21,9-12)
K16	63 757 10-S	CARBURETOR REPAIR KIT (CS10 & CS12) (INCLUDES 3,4,7,8,11,12, SEAL [BLACK])
	25 113 38-S	DECAL, HIGH ALTITUDE

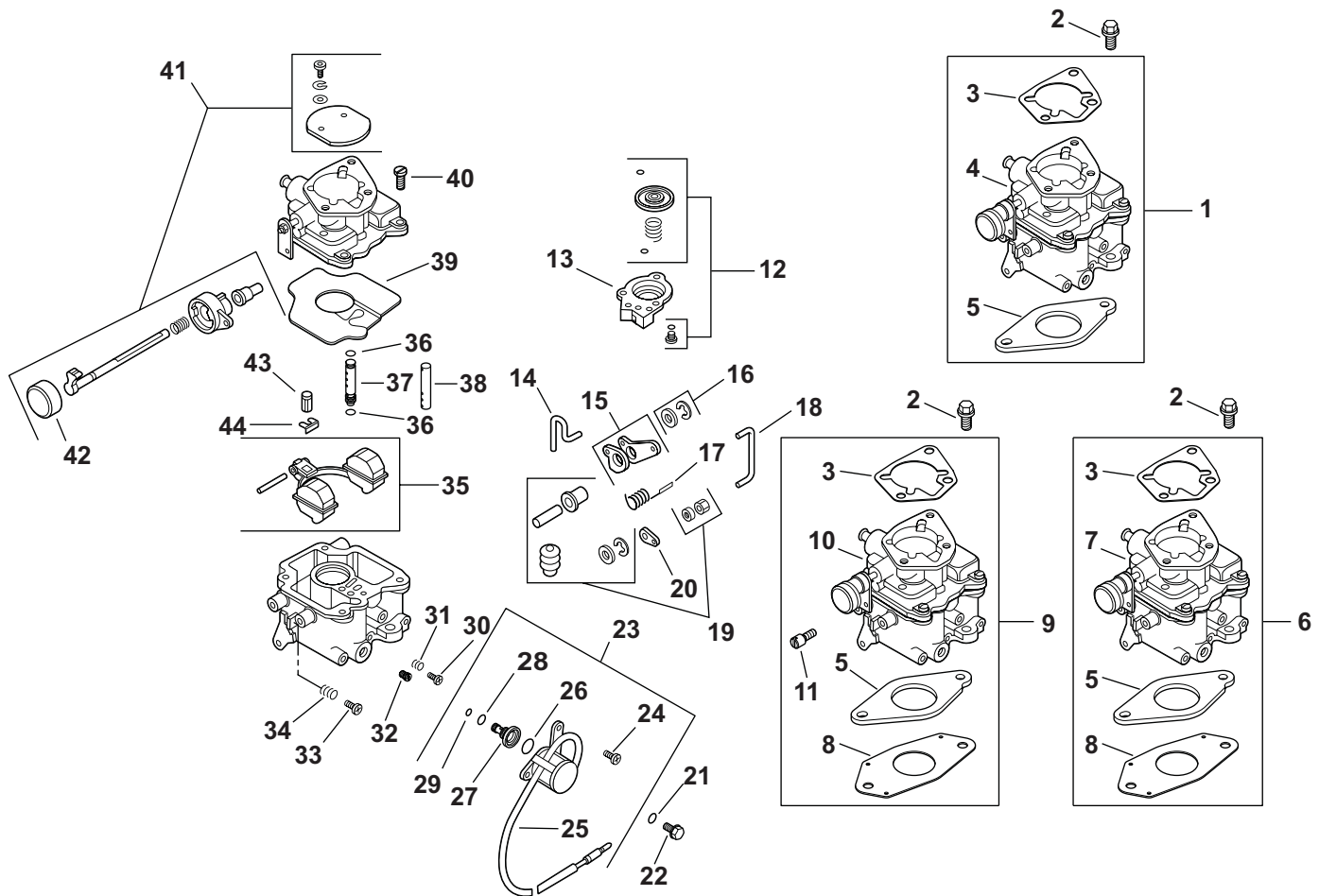
* - Altitudes are given in feet. 1,000 Feet = 304.8 Meters.

Section 5

SERVICE PARTS LISTING - Twin Cylinder

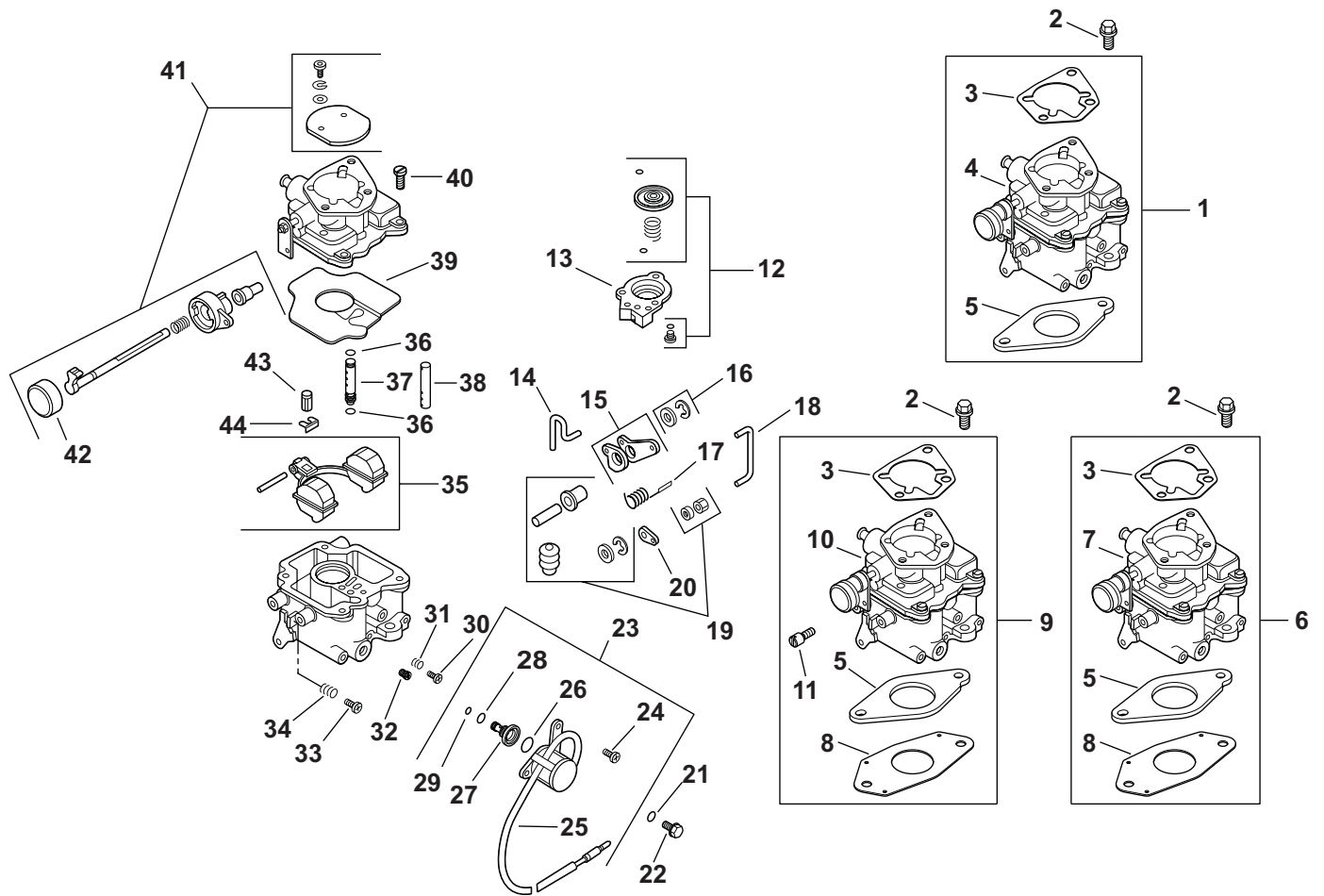
The following section is the service parts listing for the carburetors on Twin Cylinder engines. The carburetor number is embossed on the mounting flange on the carburetor. For additional service and repair information see the appropriate service manual for your model engine.

<p>Command Twin - Horizontal - Keihin 5.2-5.8</p> <p style="padding-left: 20px;">Includes the following Models:</p> <p style="padding-left: 40px;">CH18, CH20, CH22, CH23, CH25, CH670, CH730, CH740</p> <p>Command Twin - Horizontal - Kohler..... 5.9</p> <p style="padding-left: 20px;">Includes the following Models:</p> <p style="padding-left: 40px;">CH20, CH25</p> <p>Command Twin - Horizontal - Nikki 5.9</p> <p style="padding-left: 20px;">Includes the following Models:</p> <p style="padding-left: 40px;">CH20, CH23, CH740</p> <p>Command Twin - Horizontal - LPG..... 5.9</p> <p style="padding-left: 20px;">Includes the following Models:</p> <p style="padding-left: 40px;">CH20, CH25, CH730, CH980</p> <p>Command Twin & Command Pro - Two Barrel Horizontal & Vertical 5.10</p> <p style="padding-left: 20px;">Includes the following Models:</p> <p style="padding-left: 40px;">CH750, CH940, CH960, CH980</p> <p>Command Pro - Two Barrel Horizontal LPG..... 5.11</p> <p style="padding-left: 20px;">Includes the following Models:</p> <p style="padding-left: 40px;">CH980</p>	<p>Command Twin - Vertical..... 5.12-5.15</p> <p style="padding-left: 20px;">Includes the following Models:</p> <p style="padding-left: 40px;">CV17, CV18, CV19, CV20, CV22, CV23, CV25, CV624, CV670, CV675, CV724, CV725, CV730, CV740</p> <p>Aegis - Liquid-Cooled Horizontal..... 5.16</p> <p style="padding-left: 20px;">Includes the following Models:</p> <p style="padding-left: 40px;">LH625, LH630, LH640, LH750, LH755</p> <p>Aegis - Liquid-Cooled Vertical 5.17</p> <p style="padding-left: 20px;">Includes the following Models:</p> <p style="padding-left: 40px;">LV625, LV675, LV680</p> <p>Courage Twin & Courage Twin Pro 5.18</p> <p style="padding-left: 20px;">Includes the following Models:</p> <p style="padding-left: 40px;">SV710, SV715, SV720, SV725, SV730, SV735, SV740, SV810, SV820, SV830, SV840</p> <p>Triad OHC 5.19</p> <p style="padding-left: 20px;">Includes the following Models:</p> <p style="padding-left: 40px;">TH16, TH18, TH520, TH575, TH650, TH720</p>
---	--



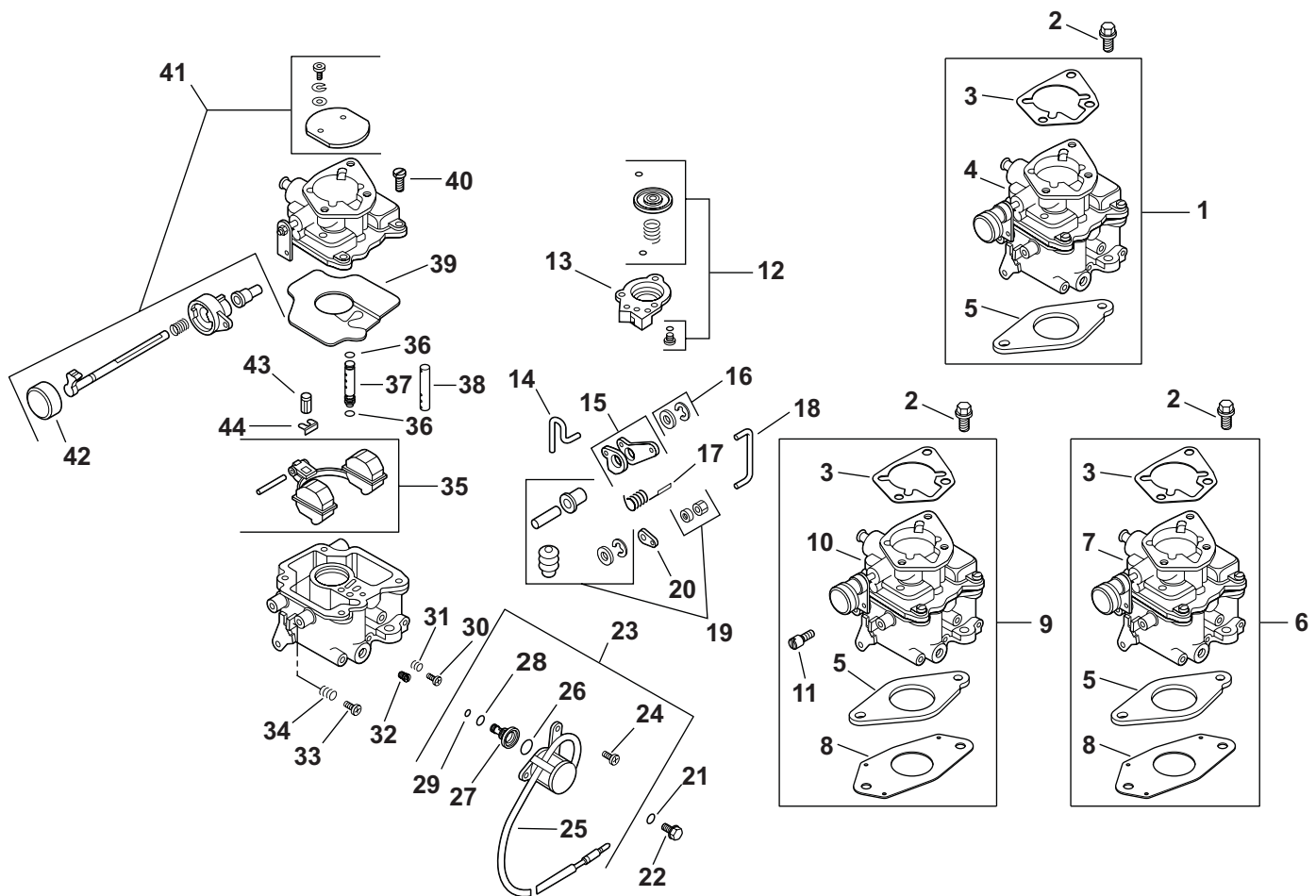
Command Twin - Horizontal - Keihin

Carburetor Ref. Number	Service Carburetor	Gasket, Air Cleaner (3)	Gasket, Carburetor (5)	Gasket, Carburetor [PIM] (8)	Screw, Throttle Stop (11)	Housing, Pump (13)
24 053 01* (4)	24 853 31-S (1)	24 041 06-S	24 041 17-S			
24 053 02* (4)	24 853 32-S (1)	24 041 06-S	24 041 17-S			
24 053 03 (10)	24 853 03-S (9)	24 041 06-S	24 041 17-S	24 041 53-S	24 086 05-S	
24 053 14* (4)	24 853 33-S (4)	24 041 06-S	24 041 17-S			24 081 05-S
24 053 15* (4)	24 853 34-S (4)	24 041 06-S	24 041 17-S			24 081 05-S
24 053 31 (7)	24 853 31-S (6)	24 041 06-S	24 041 17-S	24 041 53-S		
24 053 32 (7)	24 853 32-S (6)	24 041 06-S	24 041 17-S	24 041 53-S		
24 053 33 (7)	24 853 33-S (6)	24 041 06-S	24 041 17-S	24 041 53-S		24 081 05-S
24 053 34 (7)	24 853 34-S (6)	24 041 06-S	24 041 17-S	24 041 53-S		24 081 05-S
24 053 35 (10)	24 853 35-S (9)	24 041 06-S	24 041 17-S	24 041 53-S	24 086 05-S	
24 053 43 (7)	24 853 43-S (6)	24 041 06-S	24 041 17-S	24 041 53-S		
24 053 47* (4)	24 853 78-S (4)	24 041 06-S	24 041 17-S			
24 053 51 (7)	24 853 51-S (6)	24 041 06-S	24 041 17-S	24 041 53-S		24 081 05-S
24 053 58 (7)	24 853 58-S (6)	24 041 06-S	24 041 17-S	24 041 53-S		
24 053 59 (7)	24 853 59-S (6)	24 041 06-S	24 041 17-S	24 041 53-S		
24 053 75 (7)	24 853 75-S (6)	24 041 06-S	24 041 17-S	24 041 53-S		
24 053 76 (7)	24 853 76-S (6)	24 041 06-S	24 041 17-S	24 041 53-S		
24 053 77 (7)	24 853 77-S (6)	24 041 06-S	24 041 17-S	24 041 53-S		
24 053 78 (7)	24 853 78-S (6)	24 041 06-S	24 041 17-S	24 041 53-S		
24 053 86 (7)	24 853 86-S (6)	24 041 06-S	24 041 17-S	24 041 53-S		
24 053 91 (7)	24 853 91-S (6)	24 041 06-S	24 041 17-S	24 041 53-S		
24 053 93 (7)	24 853 93-S (6)	24 041 06-S	24 041 17-S	24 041 53-S		
24 053 143* (7)	24 853 144-S (6)	24 041 06-S	24 041 17-S	24 041 53-S		
24 053 144 (7)	24 853 144-S (6)	24 041 06-S	24 041 17-S	24 041 53-S		



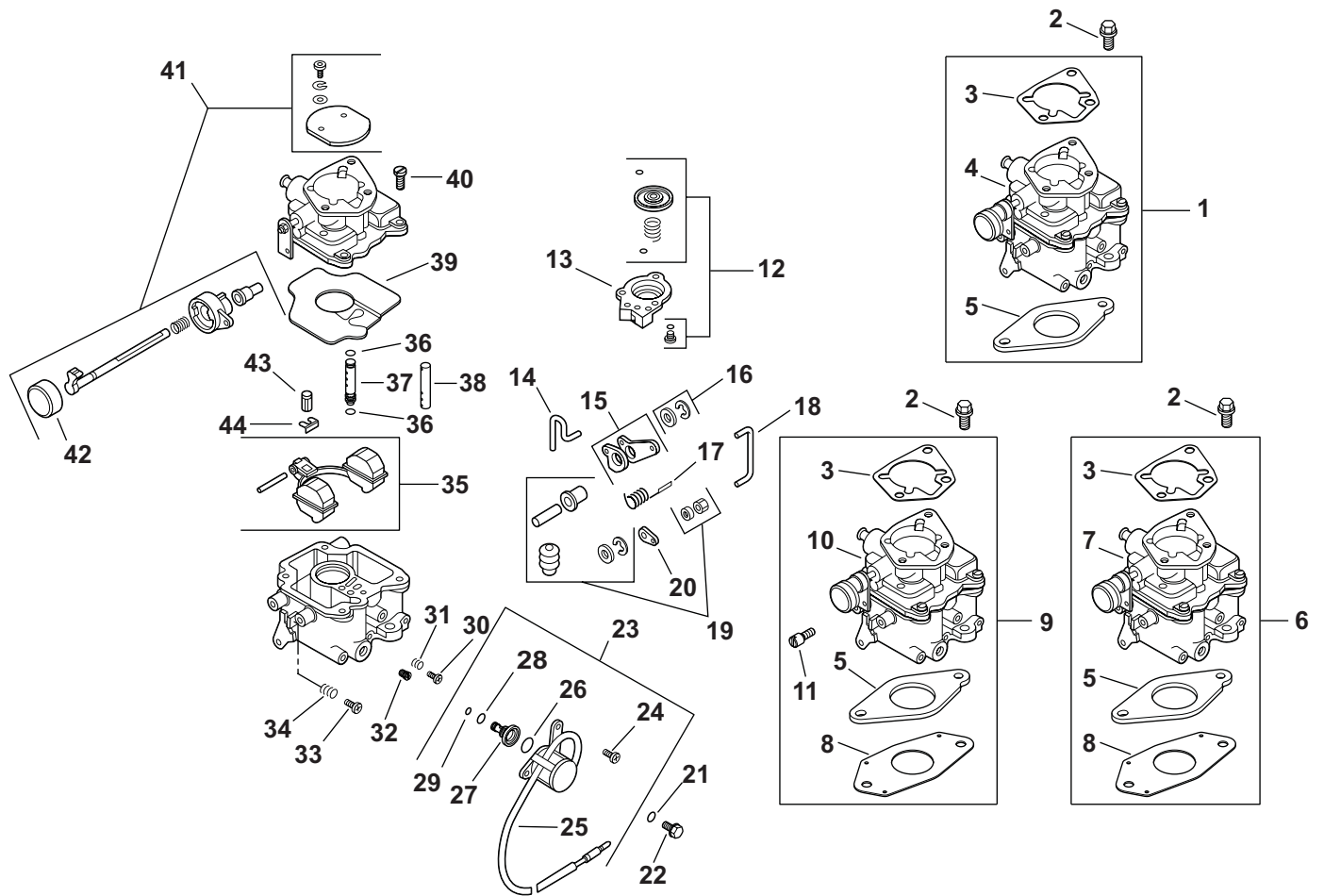
Command Twin - Horizontal - Keihin

Linkage, Rod (14)	Lever, Link (15)	Spring (17)	Linkage, Rod (18)	Lever, Link (20)	O-Ring, Main Jet Screw (21)	Carburetor Ref. Number
					24 153 03-S	24 053 01* (4)
					24 153 03-S	24 053 02* (4)
					24 153 03-S	24 053 03 (10)
24 079 06-S	24 090 16-S	24 089 27-S	24 079 07-S	24 090 15-S	24 153 03-S	24 053 14* (4)
24 079 06-S	24 090 16-S	24 089 27-S	24 079 07-S	24 090 15-S	24 153 03-S	24 053 15* (4)
					24 153 03-S	24 053 31 (7)
					24 153 03-S	24 053 32 (7)
24 079 06-S	24 090 16-S	24 089 27-S	24 079 07-S	24 090 15-S	24 153 03-S	24 053 33 (7)
24 079 06-S	24 090 16-S	24 089 27-S	24 079 07-S	24 090 15-S	24 153 03-S	24 053 34 (7)
					24 153 03-S	24 053 35 (10)
					24 153 03-S	24 053 43 (7)
24 079 06-S					24 153 03-S	24 053 47* (4)
24 079 06-S	24 090 16-S	24 089 27-S	24 079 07-S	24 090 15-S	24 153 03-S	24 053 51 (7)
24 079 06-S					24 153 03-S	24 053 58 (7)
					24 153 03-S	24 053 59 (7)
					24 153 03-S	24 053 75 (7)
24 079 06-S					24 153 03-S	24 053 76 (7)
24 079 06-S					24 153 03-S	24 053 77 (7)
24 079 06-S					24 153 03-S	24 053 78 (7)
24 079 06-S					24 153 03-S	24 053 86 (7)
24 079 06-S					24 153 03-S	24 053 91 (7)
24 079 06-S					24 153 03-S	24 053 93 (7)
					24 153 03-S	24 053 143* (7)
					24 153 03-S	24 053 144 (7)



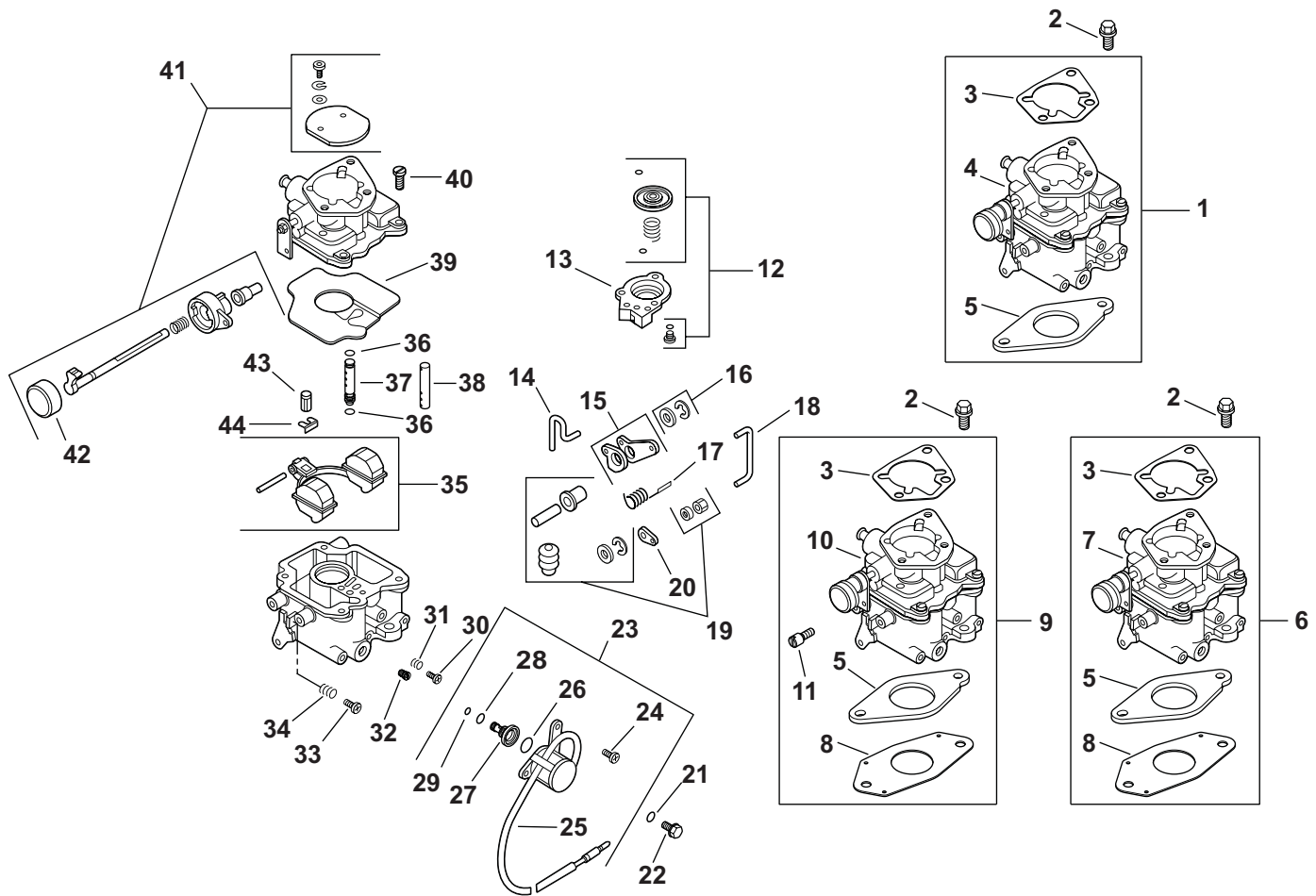
Command Twin - Horizontal - Keihin

Carburetor Ref. Number	Screw, Flg M8X1.00X10 (22)	Screw, Solenoid [2] (24)	Solenoid Assembly (25)	O-Ring, Solenoid (26)	Seat, Solenoid (27)	O-Ring, Solenoid (28)
24 053 01* (4)	24 086 11-S			24 153 04-S		24 153 05-S
24 053 02* (4)		24 086 07-S	24 435 01-S	24 153 04-S	24 521 01-S	24 153 05-S
24 053 03 (10)	24 086 11-S			24 153 04-S		24 153 05-S
24 053 14* (4)		24 086 07-S	24 435 01-S	24 153 04-S	24 521 01-S	24 153 05-S
24 053 15* (4)		24 086 07-S	24 435 01-S	24 153 04-S	24 521 01-S	24 153 05-S
24 053 31 (7)	24 086 11-S			24 153 04-S		24 153 05-S
24 053 32 (7)		24 086 07-S	24 435 01-S	24 153 04-S	24 521 01-S	24 153 05-S
24 053 33 (7)		24 086 07-S	24 435 01-S	24 153 04-S	24 521 01-S	24 153 05-S
24 053 34 (7)		24 086 07-S	24 435 01-S	24 153 04-S	24 521 01-S	24 153 05-S
24 053 35 (10)		24 086 07-S	24 435 01-S	24 153 04-S	24 521 01-S	24 153 05-S
24 053 43 (7)		24 086 07-S	24 435 01-S	24 153 04-S	24 521 01-S	24 153 05-S
24 053 47* (4)		24 086 07-S	24 435 01-S	24 153 04-S	24 521 01-S	24 153 05-S
24 053 51 (7)		24 086 07-S	24 435 01-S	24 153 04-S	24 521 01-S	24 153 05-S
24 053 58 (7)		24 086 07-S	24 435 01-S	24 153 04-S	24 521 01-S	24 153 05-S
24 053 59 (7)		24 086 07-S	24 435 01-S	24 153 04-S	24 521 01-S	24 153 05-S
24 053 75 (7)		24 086 07-S	24 435 01-S	24 153 04-S	24 521 01-S	24 153 05-S
24 053 76 (7)		24 086 07-S	24 435 01-S	24 153 04-S	24 521 01-S	24 153 05-S
24 053 77 (7)		24 086 07-S	24 435 01-S	24 153 04-S	24 521 01-S	24 153 05-S
24 053 78 (7)		24 086 07-S	24 435 01-S	24 153 04-S	24 521 01-S	24 153 05-S
24 053 86 (7)		24 086 07-S	24 435 01-S	24 153 04-S	24 521 01-S	24 153 05-S
24 053 91 (7)		24 086 07-S	24 435 01-S	24 153 04-S	24 521 01-S	24 153 05-S
24 053 93 (7)		24 086 07-S	24 435 01-S	24 153 04-S	24 521 01-S	24 153 05-S
24 053 143* (7)		24 086 07-S	24 435 01-S	24 153 04-S	24 521 01-S	24 153 05-S
24 053 144 (7)		24 086 07-S	24 435 01-S	24 153 04-S	24 521 01-S	24 153 05-S



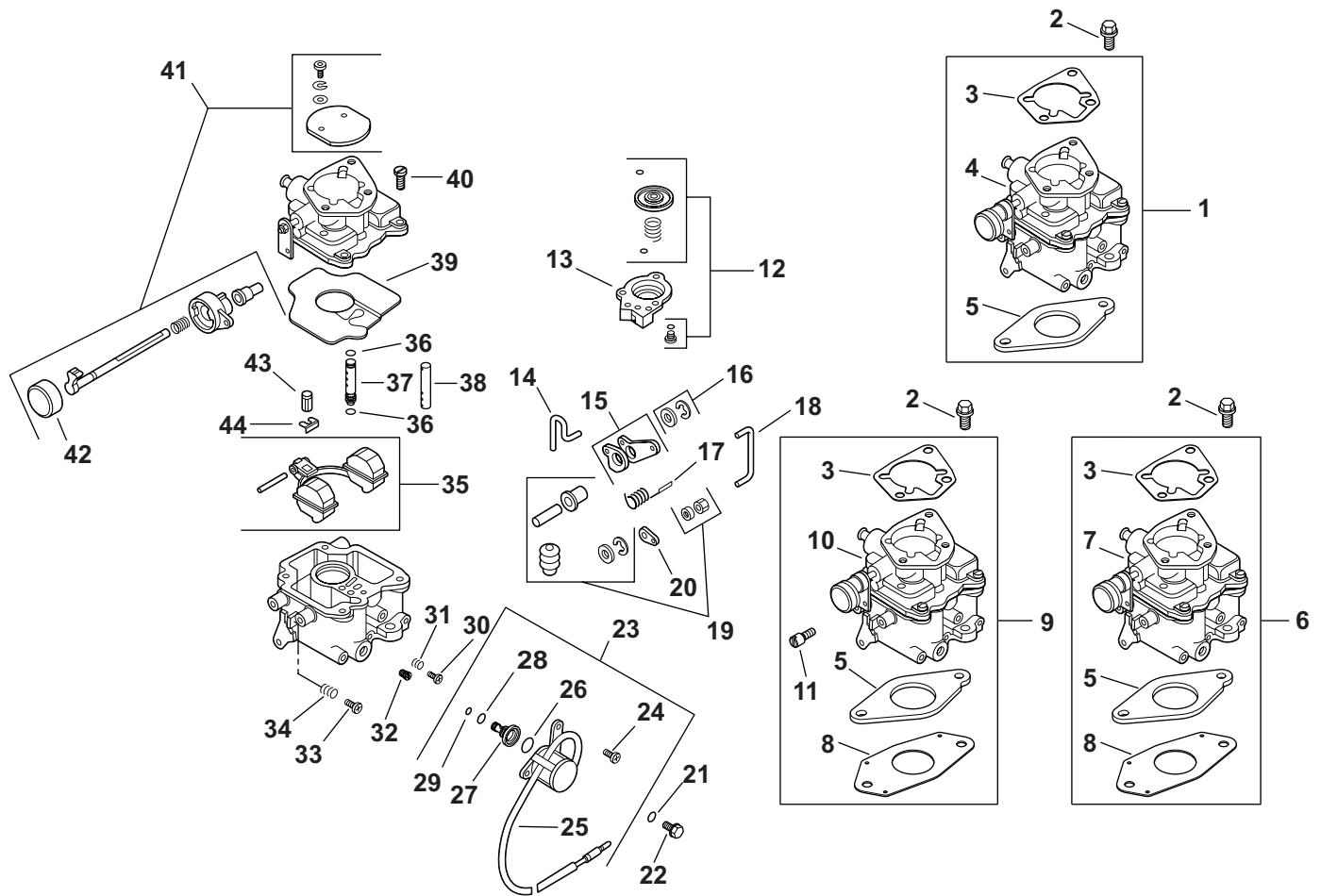
Command Twin - Horizontal - Keihin

O-Ring, Solenoid (29)	Needle, Idle (30)	Spring, Idle Adjusting (31)	Jet, Main (32)	Jet, Main - Optional	Jet, Main - Optional	Carburetor Ref. Number
24 153 06-S	24 368 01-S	24 089 11-S	24 337 02-S (150)	24 337 10-S (155)		24 053 01* (4)
24 153 06-S	24 368 01-S	24 089 11-S	24 337 02-S (150)	24 337 10-S (155)	24 337 03-S (145)	24 053 02* (4)
24 153 06-S	24 368 01-S	24 089 11-S	24 337 02-S (150)	24 337 10-S (155)		24 053 03 (10)
24 153 06-S	24 368 01-S	24 089 11-S	24 337 02-S (150)	24 337 10-S (155)	24 337 03-S (145)	24 053 14* (4)
24 153 06-S	24 368 01-S	24 089 11-S	24 337 30-S (150)	24 337 10-S (155)	24 337 32-S (165)	24 053 15* (4)
24 153 06-S	24 368 01-S	24 089 11-S	24 337 02-S (150)	24 337 10-S (155)		24 053 31 (7)
24 153 06-S	24 368 01-S	24 089 11-S	24 337 02-S (150)	24 337 10-S (155)		24 053 32 (7)
24 153 06-S	24 368 01-S	24 089 11-S	24 337 02-S (150)	24 337 10-S (155)		24 053 33 (7)
24 153 06-S	24 368 01-S	24 089 11-S	24 337 30-S (175)	24 337 10-S (155)		24 053 34 (7)
24 153 06-S	24 368 01-S	24 089 11-S	24 337 02-S (150)	24 337 10-S (155)		24 053 35 (10)
24 153 06-S	24 368 01-S	24 089 11-S				24 053 43 (7)
24 153 06-S	24 368 01-S	24 089 11-S				24 053 47* (4)
24 153 06-S	24 368 01-S	24 089 11-S	24 337 30-S (175)	24 337 10-S (155)		24 053 51 (7)
24 153 06-S	24 368 01-S	24 089 11-S				24 053 58 (7)
24 153 06-S	24 368 01-S	24 089 11-S				24 053 59 (7)
24 153 06-S	24 368 01-S	24 089 11-S				24 053 75 (7)
24 153 06-S	24 368 01-S	24 089 11-S				24 053 76 (7)
24 153 06-S	24 368 01-S	24 089 11-S				24 053 77 (7)
24 153 06-S	24 368 01-S	24 089 11-S				24 053 78 (7)
24 153 06-S	24 368 01-S	24 089 11-S				24 053 86 (7)
24 153 06-S	24 368 01-S	24 089 11-S				24 053 91 (7)
24 153 06-S	24 368 01-S	24 089 11-S				24 053 93 (7)
24 153 06-S	24 368 01-S	24 089 11-S				24 053 143* (7)
24 153 06-S	24 368 01-S	24 089 11-S				24 053 144 (7)



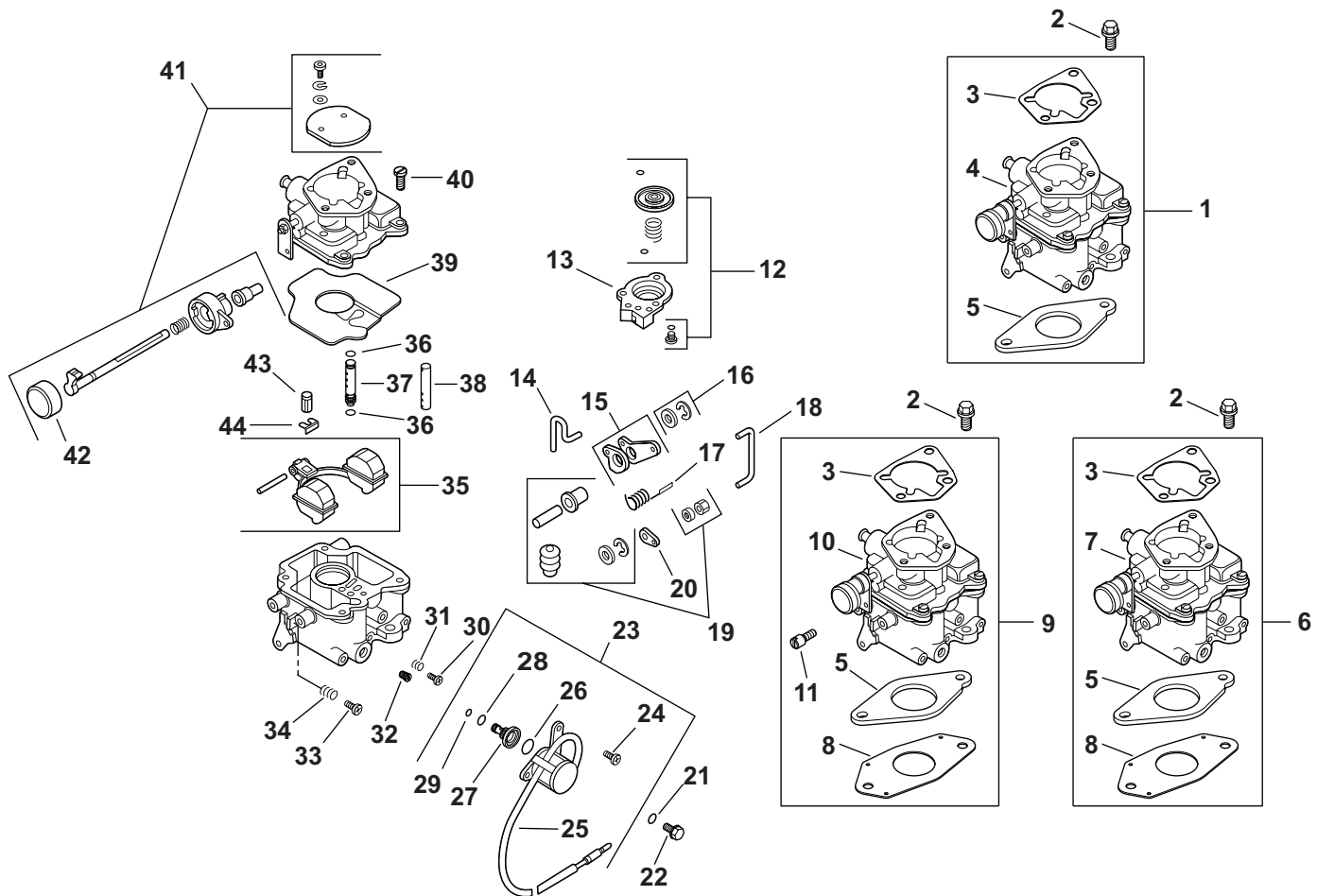
Command Twin - Horizontal - Keihin

Carburetor Ref. Number	Screw, Idle (33)	Spring, Idle Speed Adjusting Screw (34)	O-Ring, Slow Jet [2] (36)	Jet, Slow (37)	Jet, Slow - Optional	Gasket, Carburetor Body (39)
24 053 01* (4)	24 086 10-S	24 089 10-S	24 153 02-S	24 337 01-S (48)		24 041 09-S
24 053 02* (4)	24 086 10-S	24 089 10-S	24 153 02-S	24 337 01-S (48)		24 041 09-S
24 053 03 (10)	24 086 10-S	24 089 10-S	24 153 02-S	24 337 01-S (48)		24 041 09-S
24 053 14* (4)	24 086 10-S	24 089 10-S	24 153 02-S	24 337 01-S (48)		24 041 09-S
24 053 15* (4)	24 086 10-S	24 089 10-S	24 153 02-S	24 337 29-S (50)	24 337 01-S (48)	24 041 09-S
24 053 31 (7)	24 086 10-S	24 089 10-S	24 153 02-S	24 337 01-S (48)		24 041 09-S
24 053 32 (7)	24 086 10-S	24 089 10-S	24 153 02-S	24 337 01-S (48)		24 041 09-S
24 053 33 (7)	24 086 10-S	24 089 10-S	24 153 02-S	24 337 01-S (48)		24 041 09-S
24 053 34 (7)	24 086 10-S	24 089 10-S	24 153 02-S			24 041 09-S
24 053 35 (10)	24 086 10-S	24 089 10-S	24 153 02-S	24 337 01-S (48)		24 041 09-S
24 053 43 (7)			24 153 02-S			24 041 09-S
24 053 47* (4)			24 153 02-S			24 041 09-S
24 053 51 (7)	24 086 10-S	24 089 10-S	24 153 02-S			24 041 09-S
24 053 58 (7)			24 153 02-S			24 041 09-S
24 053 59 (7)			24 153 02-S			24 041 09-S
24 053 75 (7)			24 153 02-S			24 041 09-S
24 053 76 (7)			24 153 02-S			24 041 09-S
24 053 77 (7)			24 153 02-S			24 041 09-S
24 053 78 (7)			24 153 02-S			24 041 09-S
24 053 86 (7)			24 153 02-S			24 041 09-S
24 053 91 (7)			24 153 02-S			24 041 09-S
24 053 93 (7)			24 153 02-S			24 041 09-S
24 053 143* (7)			24 153 02-S			24 041 09-S
24 053 144 (7)			24 153 02-S			24 041 09-S



Command Twin - Horizontal - Keihin

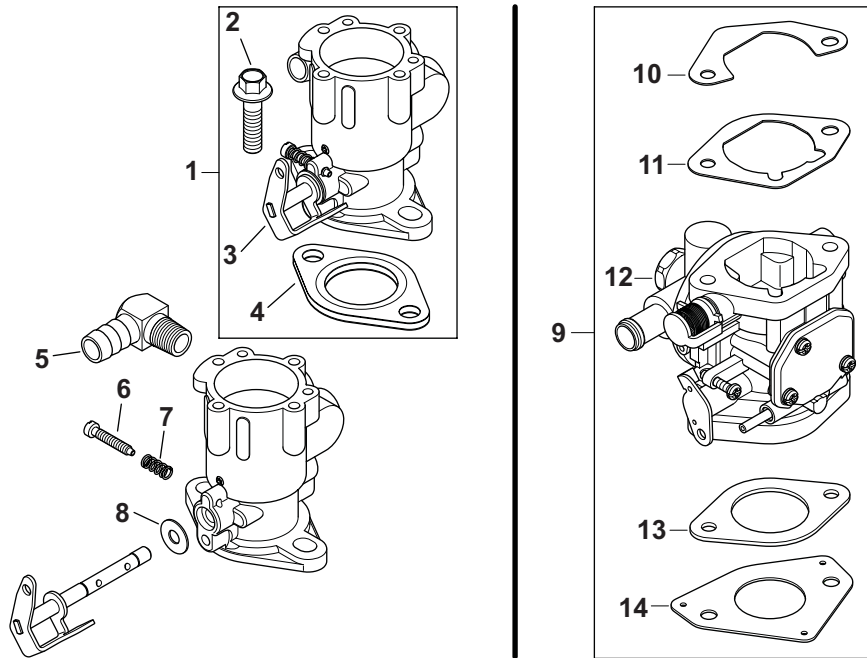
Screw, Carburetor Body [4] (40)	Cap, Choke Lever (42)	Valve, Inlet Needle (43)	Clip, Inlet Needle Valve (44)	Available Service Kits - See Page 5.8	Carburetor Ref. Number
24 086 09-S	24 173 02-S	24 462 01-S	24 154 01-S	K10,K11,K12	24 053 01* (4)
24 086 09-S	24 173 02-S	24 462 01-S	24 154 01-S	K1,K9,K10,K11,K12	24 053 02* (4)
24 086 09-S	24 173 02-S	24 462 01-S	24 154 01-S	K3,K10,K11,K12	24 053 03 (10)
24 086 09-S	24 173 02-S	24 462 01-S	24 154 01-S	K1,K9,K10,K11,K12,K13,K14	24 053 14* (4)
24 086 09-S	24 173 02-S	24 462 01-S	24 154 01-S	K2,K9,K10,K11,K12,K13,K14	24 053 15* (4)
24 086 09-S	24 173 02-S	24 462 01-S	24 154 01-S	K3,K10,K11,K12	24 053 31 (7)
24 086 09-S	24 173 02-S	24 462 01-S	24 154 01-S	K3,K9,K10,K11,K12	24 053 32 (7)
24 086 09-S	24 173 02-S	24 462 01-S	24 154 01-S	K3,K9,K10,K11,K12,K13,K14	24 053 33 (7)
24 086 09-S	24 173 02-S	24 462 01-S	24 154 01-S	K5,K9,K10,K11,K12,K13,K14	24 053 34 (7)
24 086 09-S	24 173 02-S	24 462 01-S	24 154 01-S	K3,K9,K10,K11,K12	24 053 35 (10)
24 086 09-S	24 173 02-S	24 462 01-S	24 154 01-S	K3,K9,K10,K11,K12	24 053 43 (7)
24 086 09-S	24 173 02-S	24 462 01-S	24 154 01-S	K4,K9,K10,K11,K12,K13,K14	24 053 47* (4)
24 086 09-S	24 173 02-S	24 462 01-S	24 154 01-S	K9,K10,K11,K12,K13,K14	24 053 51 (7)
24 086 09-S	24 173 02-S	24 462 01-S	24 154 01-S	K3,K9,K10,K11,K12,K13,K14	24 053 58 (7)
24 086 09-S	24 173 02-S	24 462 01-S	24 154 01-S	K3,K9,K10,K11,K12	24 053 59 (7)
24 086 09-S		24 462 01-S	24 154 01-S	K6,K9,K10,K11	24 053 75 (7)
24 086 09-S		24 462 01-S	24 154 01-S	K9,K10,K11,K13,K14	24 053 76 (7)
24 086 09-S		24 462 01-S	24 154 01-S	K9,K10,K11,K13,K14	24 053 77 (7)
24 086 09-S	24 173 02-S	24 462 01-S	24 154 01-S	K9,K10,K11,K12,K13,K14	24 053 78 (7)
24 086 09-S	24 173 02-S	24 462 01-S	24 154 01-S	K6,K9,K10,K11,K12,K13,K14	24 053 86 (7)
24 086 09-S	24 173 02-S	24 462 01-S	24 154 01-S	K5,K9,K10,K11,K12,K13,K14	24 053 91 (7)
24 086 09-S	24 173 02-S	24 462 01-S	24 154 01-S	K7,K8,K9,K10,K11,K12,K13,K14	24 053 93 (7)
24 086 09-S	24 173 02-S	24 462 01-S	24 154 01-S	K3,K9,K10,K11,K12	24 053 143* (7)
24 086 09-S	24 173 02-S	24 462 01-S	24 154 01-S	K3,K9,K10,K11,K12	24 053 144 (7)



Command Twin - Horizontal - Keihin

NOT ILLUSTRATED		
K1	24 755 01-S	KIT, *5-10,000 HIGH ALTITUDE (INCLUDES 21,26,28,29,32, 25 113 38-S)
K2	24 755 55-S	KIT, *5-10,000 HIGH ALTITUDE (INCLUDES 21,26,28,29,32,36,37, 25 113 38-S)
K3	24 755 125-S	KIT, *5-10,000 HIGH ALTITUDE (INCLUDES 3,5,8,32, 25 113 38-S)
K4	24 755 126-S	KIT, *5-10,000 HIGH ALTITUDE (INCLUDES 3,5,8,32, 25 113 38-S)
K5	24 755 130-S	KIT, *5-10,000 HIGH ALTITUDE (INCLUDES 3,5,8,32, 25 113 38-S)
K6	24 755 131-S	KIT, *5-10,000 HIGH ALTITUDE (INCLUDES 3,5,8,32, 25 113 38-S)
K7	24 755 137-S	KIT, *10,000+ HIGH ALTITUDE (INCLUDES 3,5,8,32,38, 25 113 38-S)
K8	24 755 138-S	KIT, *5-10,000 HIGH ALTITUDE (INCLUDES 3,5,8,32, 25 113 38-S)
K9	24 757 01-S	KIT, REPAIR SOLENOID (INCLUDES 23-29)
K10	24 757 02-S	KIT, REPAIR FLOAT (INCLUDES 35,39, 24 086 08-S)
K11	24 757 03-S	KIT, REPAIR CARBURETOR OVERHAUL (INCLUDES 21,26,28-31,36,39,40,43,44)
K12	24 757 07-S	KIT, REPAIR CHOKE (INCLUDES 42, 24 597 06-S)
K13	24 757 08-S	KIT, REPAIR ACC PUMP (INCLUDES 12)
K14	24 757 09-S	KIT, REPAIR-ACC PUMP SEAL (INCLUDES 14,16,19)
	25 597 06-S	SEALER, LOCTITE
	25 113 38-S	DECAL, HIGH ALTITUDE
	24 086 08-S	SCREW, FLOAT

* - Altitudes are given in feet. 1,000 Feet = 304.8 Meters.



Command Twin - Horizontal - Kohler

Carburetor Ref. Number (3)	Service Carburetor (1)	Screw, Flg M8X1.25X30 (2)	Gasket, Carburetor (4)	Fitting (5)	Screw, Adjusting (6)	Spring, Adjusting Screw (7)	Washer (8)
24 053 30	24 853 30-S	M-851030-S	24 041 26-S	24 294 23-S	232556-S	232555-S	X-25-8-S
24 053 49	24 853 49-S	M-851030-S	24 041 26-S	24 294 23-S	232556-S	232555-S	X-25-8-S

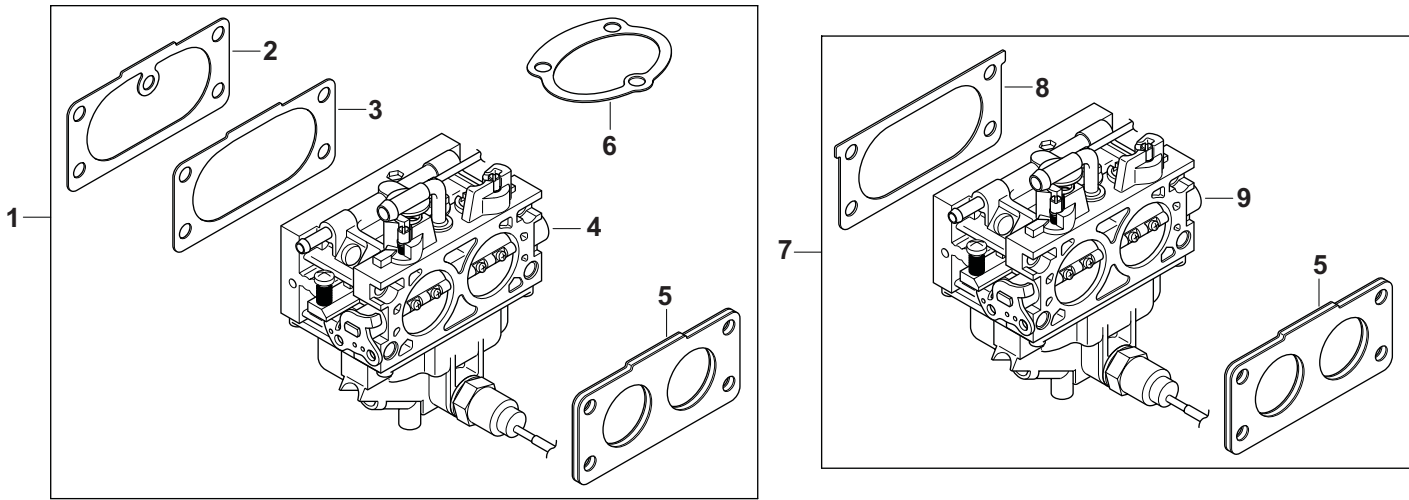
Command Twin - Horizontal - Nikki

Carburetor Ref. Number (12)	Service Carburetor (9)	Gasket, Carburetor (13)	Gasket, Carburetor [PIM] (14)	Gasket, Air Cleaner (11)	Gasket, Spit Back Cup (10)
24 053 42	24 853 42-S	24 041 15-S	24 041 52-S	24 041 14-S	24 041 13-S
24 053 46	24 853 46-S	24 041 15-S	24 041 52-S	24 041 14-S	24 041 13-S
24 053 87	24 853 87-S	24 041 15-S	24 041 52-S	24 041 14-S	24 041 13-S
24 053 89	24 853 89-S	24 041 15-S	24 041 52-S	24 041 14-S	24 041 13-S

No Service Kits available for the carburetors listed above.

Command Twin - Horizontal - LPG

NOT ILLUSTRATED			
Carburetor Ref. Number	Service Carburetor	Included in Service Carburetor	
24 053 37*	24 853 42-S		
		24 041 15-S	GASKET, CARBURETOR
		24 041 14-S	GASKET, AIR CLEANER
		24 041 13-S	GASKET, SPITBACK CUP
		24 757 29-S	KIT, GASEOUS CARBURETOR REPAIR (INCLUDES TRANSFER CHAMBER COVER GASKET, SEALING WASHER, CARBURETOR GASKET, AIR CLEANER GASKET)
		No Service Kits available for the following Carburetor.	
24 053 74	24 853 74-S		
		24 041 42-S	GASKET, CARBURETOR
		277093-S	GASKET, AIR CLEANER
		25 158 08-S	BUSHING, LINKAGE RRETAINING
		No Service Kits available for the following Carburetor.	
24 053 105	24 853 105-S		
		24 041 52-S	GASKET, CARBURETOR
		24 041 14-S	GASKET, AIR CLEANER
		24 041 13-S	GASKET, SPITBACK CUP

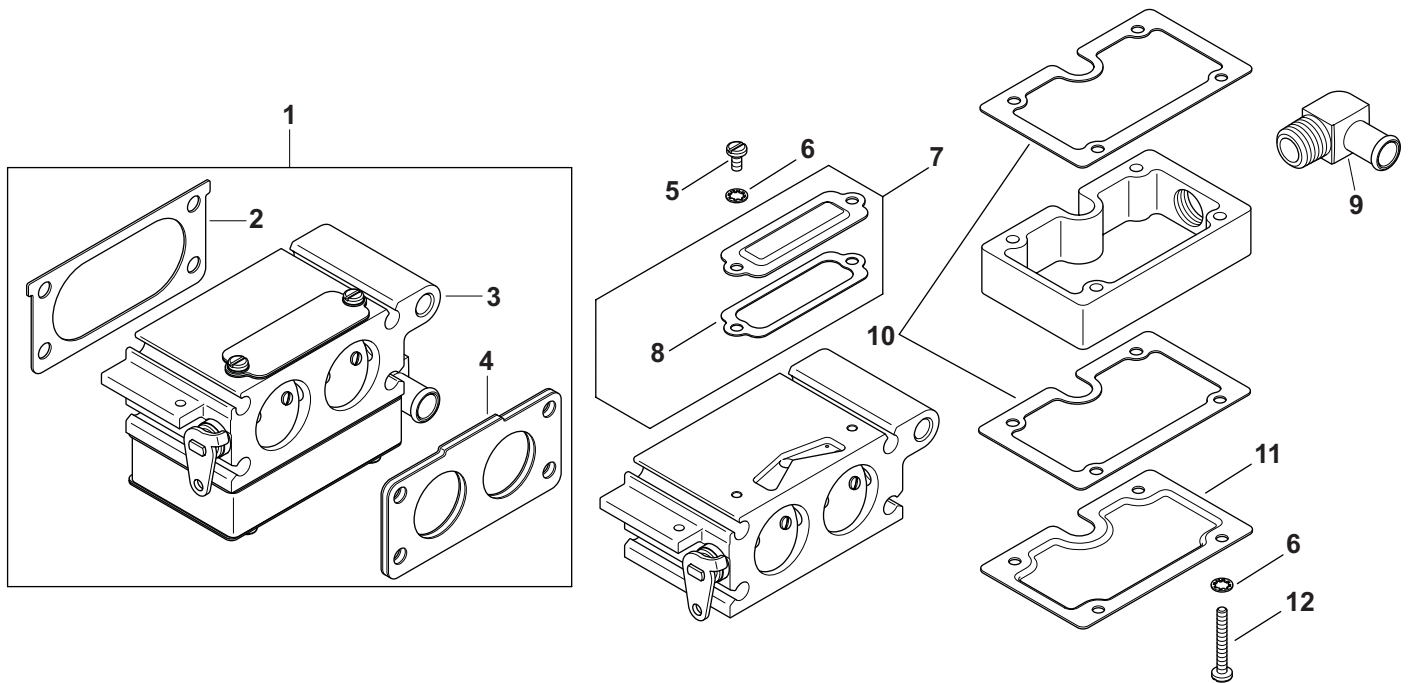


Command Twin & Command Pro - Two Barrel Horizontal & Vertical

Carburetor Ref. Number	Service Carburetor	Gasket, Two Barrel Air Cleaner Elbow w/Vent (2)	Gasket, Two Barrel Air Cleaner Elbow w/o Vent (3)	Gasket, Two Barrel Carburetor (5)	Gasket, Air Cleaner Base (6)	Gasket, Two Barrel Air Cleaner Elbow w/o Vent (8)	Available Service Kits
24 053 104* (4)	24 853 112-S (1)	24 041 62-S	24 041 58-S	24 041 60-S			K3,K5,K6,K7
24 053 109 (4)	24 853 109-S (1)	24 041 62-S	24 041 58-S	24 041 60-S	24 041 61-S		K3,K5,K6,K7
24 053 112 (4)	24 853 112-S (1)	24 041 62-S		24 041 60-S			K3,K5,K6,K7
24 053 113 (4)	24 853 113-S (1)	24 041 62-S		24 041 60-S			K3,K5,K6,K7
24 053 103* (4)	24 853 111-S (1)	24 041 62-S	24 041 58-S	24 041 60-S			K1,K2,K3,K4
24 053 111 (4)	24 853 111-S (1)	24 041 62-S		24 041 60-S			K1,K2,K3,K4
62 053 01* (9)	62 853 08-S (7)			24 041 60-S		62 041 29-S	K1,K2,K3,K4
62 053 02 (9)	62 853 02-S (7)			24 041 60-S		62 041 29-S	K1,K2,K3,K4
62 053 03* (9)	62 853 09-S (7)			24 041 60-S		62 041 29-S	K1,K2,K3,K4
62 053 08 (9)	62 853 08-S (7)			24 041 60-S		62 041 29-S	K1,K2,K3,K4
62 053 09 (9)	62 853 09-S (7)			24 041 60-S		62 041 29-S	K1,K2,K3,K4
62 053 10 (9)	62 853 10-S (7)			24 041 60-S		62 041 29-S	K1,K2,K3,K4

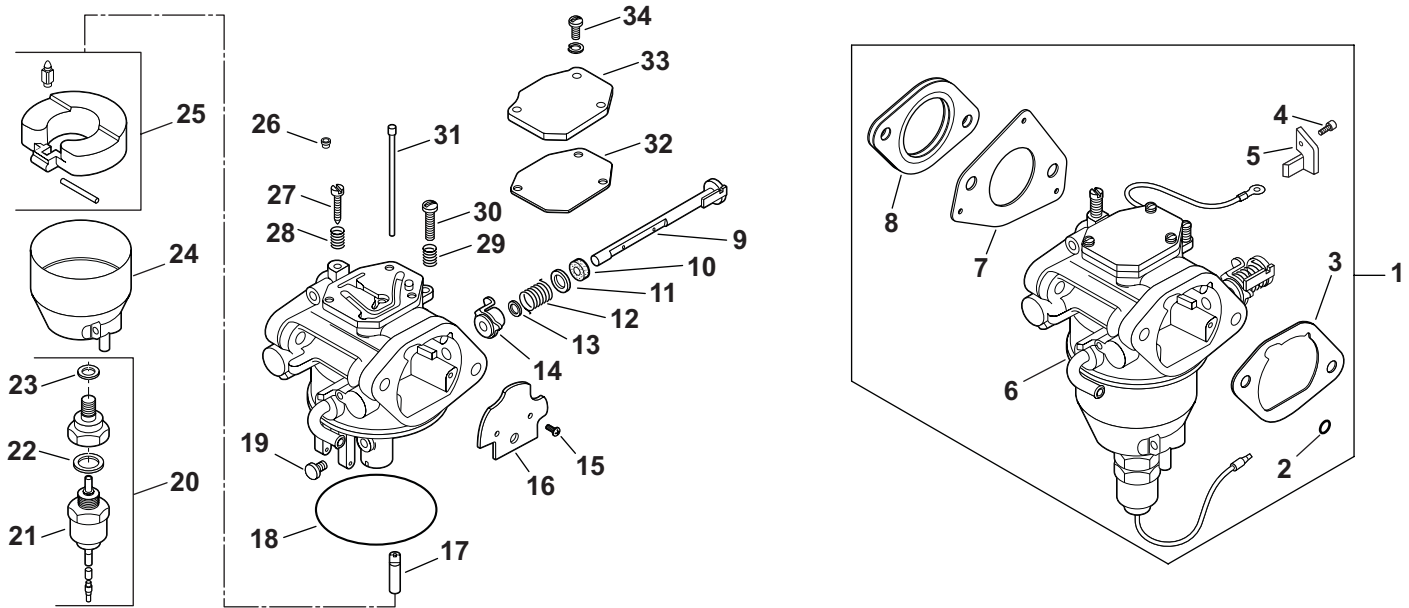
NOT ILLUSTRATED (The following kits are available for all of the Carburetors listed on this page.)

K1	24 757 48-S	KIT, CHOKE REPAIR (INCLUDES 2,3,5,8, CHOKE SHAFT, CHOKE PLATE, CHOKE LEVER CAP, SPRING, CHOKE LEVER, CHOKE SHAFT BUSHING, CHOKE PLATE SCREWS, 25 597 06-S)					
K2	24 757 49-S	KIT, FLOAT REPAIR (INCLUDES 2,3,5,8, FLOAT, INLET NEEDLE VALVE, CLIP, FLOAT PIN, FLOAT PIN SCREW)					
K3	24 757 50-S	KIT, SOLENOID VALVE REPAIR (INCLUDES 2,3,5,8, SOLENOID VALVE)					
K4	24 757 51-S	KIT, OVERHAUL REPAIR (INCLUDES 2,3,5,8, FLOAT, INLET NEEDLE VALVE & CLIP, FLOAT PIN & PIN SCREW, UPPER & LOWER FUEL BOWL O-RINGS, SLOW JET O-RINGS [2], FUEL BOWL SCREWS [4], IDLE SPEED SCREW & SPRING, DRAIN SCREW)					
K5	24 757 52-S	KIT, CHOKE REPAIR (INCLUDES 2,3,5, CHOKE SHAFT, CHOKE PLATE, CHOKE LEVER CAP, SPRING, CHOKE LEVER, CHOKE SHAFT BUSHING, CHOKE PLATE SCREWS, 25 597 06-S)					
K6	24 757 53-S	KIT, OVERHAUL REPAIR (INCLUDES 2,3,5, FLOAT, INLET NEEDLE VALVE & CLIP, FLOAT PIN & PIN SCREW, UPPER & LOWER FUEL BOWL O-RINGS, SLOW JET O-RINGS [2], FUEL BOWL SCREWS [4], IDLE SPEED SCREW & SPRING, DRAIN SCREW)					
K7	24 757 54-S	KIT, FLOAT REPAIR (INCLUDES 2,3,5, FLOAT, INLET NEEDLE VALVE, CLIP, FLOAT PIN, FLOAT PIN SCREW)					
	25 597 06-S	SEALER, LOCTITE					



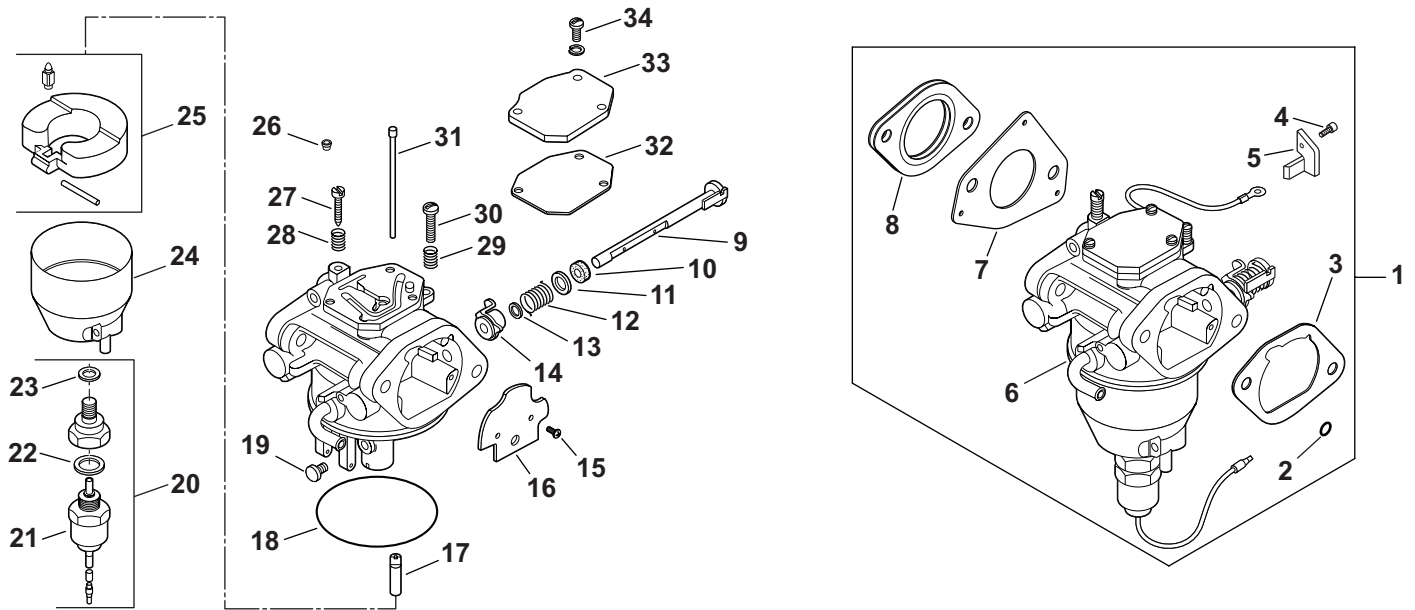
Command Pro - Two Barrel Horizontal LPG

Carburetor Ref. Number (3)	Service Carburetor (1)	Included in Service Carburetor	Item #	No Service Kits available for the following Carburetor.
62 053 17	62 853 17-S			
		62 041 29-S	2	GASKET, AIR CLEANER
		24 041 60-S	4	GASKET, CARBURETOR
		25 086 133-S	5	SCREW, SLOTTED PAN M4X0.7X8 [2]
		X-22-7-S	6	WASHER, INT TOOTH LOCK #8 [6]
		62 096 30-S	7	COVER, IDLE CIRCUIT
		62 041 30-S	8	GASKET, IDLE CIRCUIT PLATE
		25 294 17-S	9	FITTING, 90°
		62 041 31-S	10	GASKET, PLENUM-CARBURETOR [2]
		62 096 31-S	11	COVER, PLENUM
		25 086 134-S	12	SCREW, SLOTTED PAN M4X0.7X30 [4]



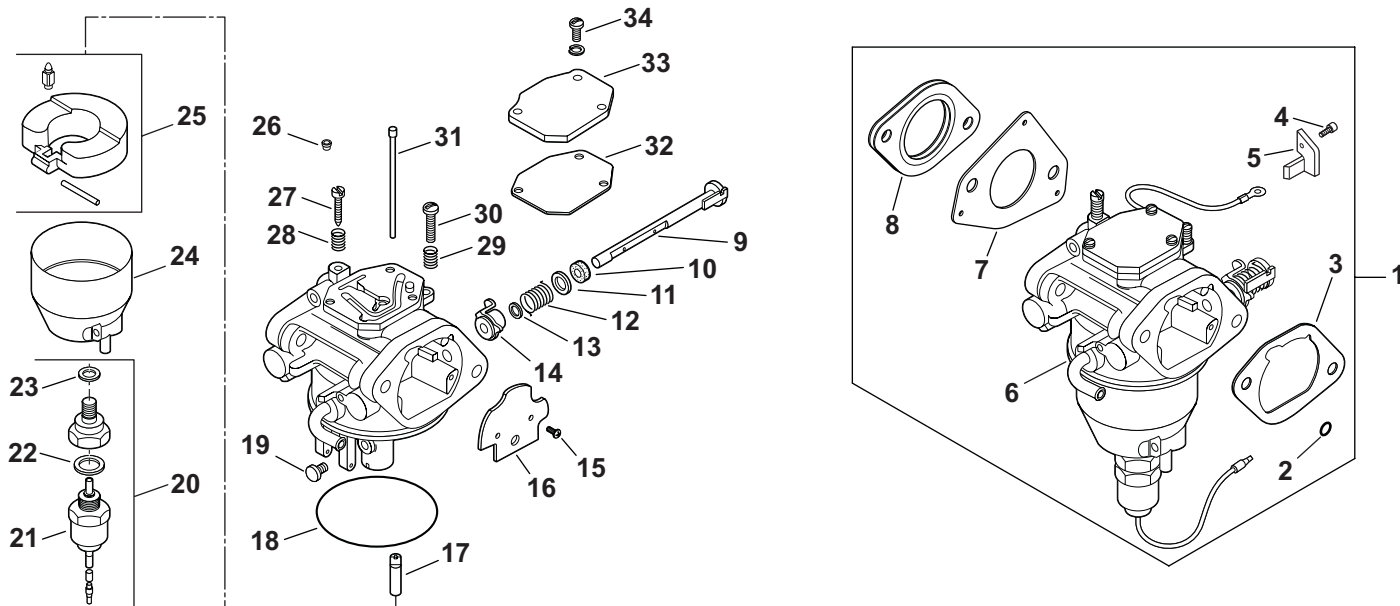
Command Twin - Vertical

Carburetor Ref. Number (6)	Service Carburetor (1)	O-Ring (2)	Screw, Throttle Stop (4)	Bracket, Throttle Stop (5)	Gasket, Air Cleaner (3)	Gasket, Carburetor (7)
24 053 07*	24 853 17-S				24 041 14-S	24 041 52-S
24 053 08*	24 853 25-S				24 041 14-S	24 041 52-S
24 053 09*	24 853 16-S				24 041 14-S	24 041 52-S
24 053 16	24 853 16-S				24 041 14-S	24 041 52-S
24 053 17	24 853 17-S				24 041 14-S	24 041 52-S
24 053 18	24 853 18-S				24 041 14-S	24 041 52-S
24 053 19*	24 853 25-S				24 041 14-S	24 041 52-S
24 053 21	24 853 21-S		M-259005-S	24 126 29-S	24 041 14-S	24 041 52-S
24 053 22	24 853 22-S		M-259005-S	24 126 29-S	24 041 14-S	24 041 52-S
24 053 23	24 853 23-S		M-259005-S	24 126 29-S	24 041 14-S	24 041 52-S
24 053 24	24 853 24-S		M-259005-S	24 126 29-S	24 041 14-S	24 041 52-S
24 053 25	24 853 25-S				24 041 14-S	24 041 52-S
24 053 26	24 853 26-S				24 041 14-S	24 041 52-S
24 053 27	24 853 81-S				24 041 14-S	24 041 52-S
24 053 28	24 853 28-S				24 041 14-S	24 041 52-S
24 053 29	24 853 29-S				24 041 14-S	24 041 52-S
24 053 36	24 853 36-S				24 041 14-S	24 041 52-S
24 053 38	24 853 27-S		M-259005-S	24 126 53-S	24 041 14-S	24 041 52-S
24 053 41	24 853 41-S		M-259005-S	24 126 29-S	24 041 14-S	24 041 52-S
24 053 44	24 853 44-S				24 041 14-S	24 041 52-S
24 053 48	24 853 48-S				24 041 14-S	24 041 52-S
24 053 50	24 853 50-S				24 041 14-S	24 041 52-S
24 053 57	24 853 57-S				24 041 14-S	24 041 52-S
24 053 60*	24 853 106-S				24 041 14-S	24 041 52-S
24 053 61	24 853 61-S				24 041 14-S	24 041 52-S
24 053 64*	24 853 107-S				24 041 14-S	24 041 52-S
24 053 65*	24 853 97-S				24 041 14-S	24 041 52-S
24 053 90	24 853 90-S				24 041 14-S	24 041 52-S
24 053 92	24 853 92-S	25 153 05-S			24 041 14-S	24 041 52-S
24 053 95*	24 853 108-S	25 153 05-S			24 041 14-S	24 041 52-S
24 053 97	24 853 97-S				24 041 14-S	24 041 52-S
24 053 99	24 853 99-S	25 153 05-S			24 041 14-S	24 041 52-S
24 053 102	24 853 102-S				24 041 14-S	24 041 52-S
24 053 106	24 853 106-S				24 041 14-S	24 041 52-S
24 053 107	24 853 107-S				24 041 14-S	24 041 52-S
24 053 108	24 853 108-S	25 153 05-S			24 041 14-S	24 041 52-S



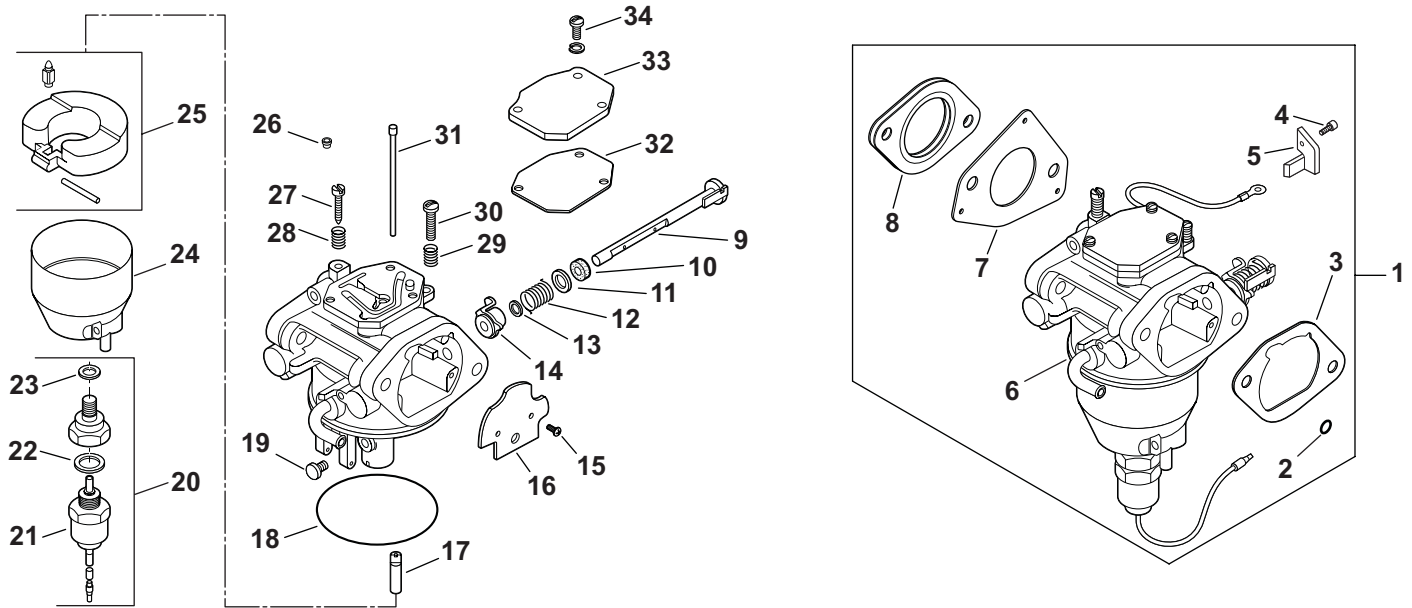
Command Twin - Vertical

Gasket, Carburetor [PIM] (8)	Shaft, Choke (9)	Plate, Choke (16)	Nozzle, Main (17)	Jet, Main (19)	Bowl, Float (24)	Carburetor Ref. Number (6)
24 041 15-S	24 144 15-S	24 146 13-S	24 369 01-S	24 337 19-S	24 234 01-S	24 053 07*
24 041 15-S	24 144 15-S	24 146 13-S	24 369 01-S	24 337 08-S	24 234 01-S	24 053 08*
24 041 15-S	24 144 15-S	24 146 13-S	24 369 01-S	24 337 08-S	24 234 01-S	24 053 09*
24 041 15-S						24 053 16
24 041 15-S						24 053 17
24 041 15-S						24 053 18
24 041 15-S						24 053 19*
24 041 15-S						24 053 21
24 041 15-S						24 053 22
24 041 15-S						24 053 23
24 041 15-S						24 053 24
24 041 15-S					24 234 02-S	24 053 25
24 041 15-S					24 234 02-S	24 053 26
24 041 15-S					24 234 02-S	24 053 27
24 041 15-S					24 234 02-S	24 053 28
24 041 15-S					24 234 02-S	24 053 29
24 041 15-S					24 234 02-S	24 053 36
24 041 15-S					24 234 02-S	24 053 38
24 041 15-S						24 053 41
24 041 15-S					24 234 01-S	24 053 44
24 041 15-S					24 234 02-S	24 053 48
24 041 15-S						24 053 50
24 041 15-S					24 234 02-S	24 053 57
24 041 15-S						24 053 60*
24 041 15-S						24 053 61
24 041 15-S						24 053 64*
24 041 15-S						24 053 65*
24 041 15-S					24 234 02-S	24 053 90
24 041 15-S					24 234 02-S	24 053 92
24 041 15-S						24 053 95*
24 041 15-S						24 053 97
24 041 15-S						24 053 99
24 041 15-S					24 234 02-S	24 053 102
24 041 15-S						24 053 106
24 041 15-S						24 053 107
24 041 15-S						24 053 108



Command Twin - Vertical

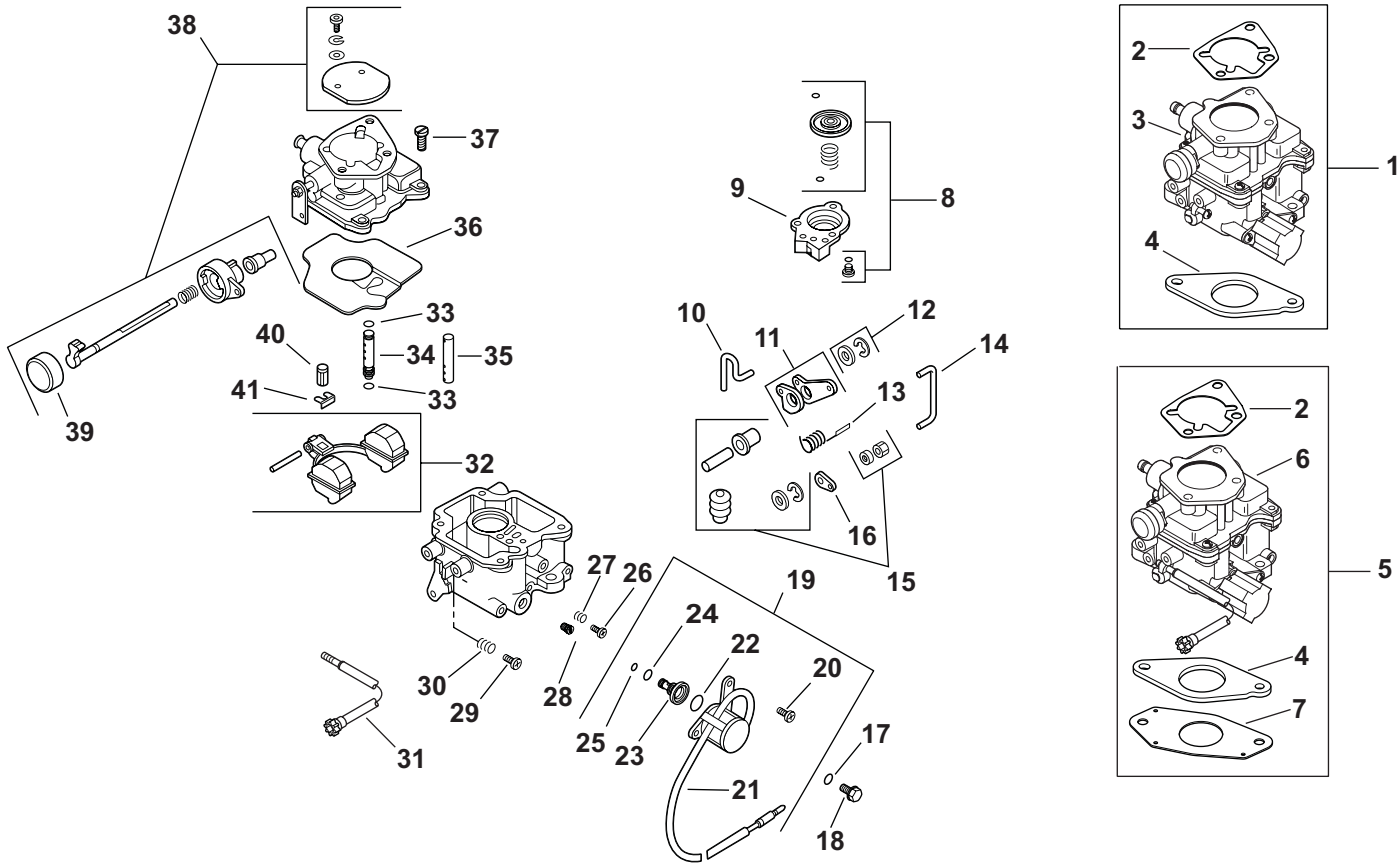
Carburetor Ref. Number (6)	Jet, Main - Optional (26)	Spring, Throttle Adjust Screw (28)	Jet, Slow (31)	Cover, Passage (33)	Screw, Passage Cover [3] (34)	Available Service Kits - See Page 5.15
24 053 07*	24 337 07-S	24 089 24-S	24 337 06-S	24 096 13-S	24 086 21-S	K1,K2,K6,K7,K8,K10
24 053 08*	24 337 07-S	24 089 24-S	24 337 06-S	24 096 13-S	24 086 21-S	K6,K7,K8,K10
24 053 09*	24 337 07-S	24 089 24-S	24 337 06-S	24 096 13-S	24 086 21-S	K3,K4,K10,K6,K7,K8
24 053 16						K6,K7,K8,K10
24 053 17						K6,K7,K8,K10
24 053 18						K6,K7,K8,K10
24 053 19*						K6,K7,K8,K10
24 053 21						K6,K7,K8,K10
24 053 22						K6,K7,K8,K10
24 053 23						K6,K7,K8,K10
24 053 24						K6,K7,K8,K10
24 053 25						K6,K7,K8,K10
24 053 26						K6,K7,K8,K9,K10
24 053 27						K6,K7,K8,K9,K10
24 053 28						K6,K7,K8,K9,K10
24 053 29						K6,K7,K8,K9,K10
24 053 36						K6,K7,K8,K9,K10
24 053 38						K6,K7,K8,K9,K10
24 053 41						K6,K7,K8,K10
24 053 44						K6,K7,K8,K10
24 053 48						K6,K7,K8,K9,K10
24 053 50						K6,K7,K8,K10
24 053 57						K6,K7,K8,K10
24 053 60*						K5,K11,K12,K13,K14,K15,K16
24 053 61						K11,K12,K13,K14,K15
24 053 64*						K11,K12,K13,K14,K15,K16
24 053 65*						K11,K12,K13,K14,K15,K16
24 053 90						K6,K7,K8,K9,K10
24 053 92						K6,K7,K8,K9,K10
24 053 95*						K11,K12,K13,K14,K15,K16
24 053 97						K11,K13,K14,K15
24 053 99						K6,K7,K8,K9,K10,K17
24 053 102						K6,K7,K8,K9,K10
24 053 106						K5,K11,K12,K13,K14,K15,K16
24 053 107						K11,K12,K13,K14,K15,K16
24 053 108						K11,K12,K13,K14,K15,K16



Command Twin - Vertical

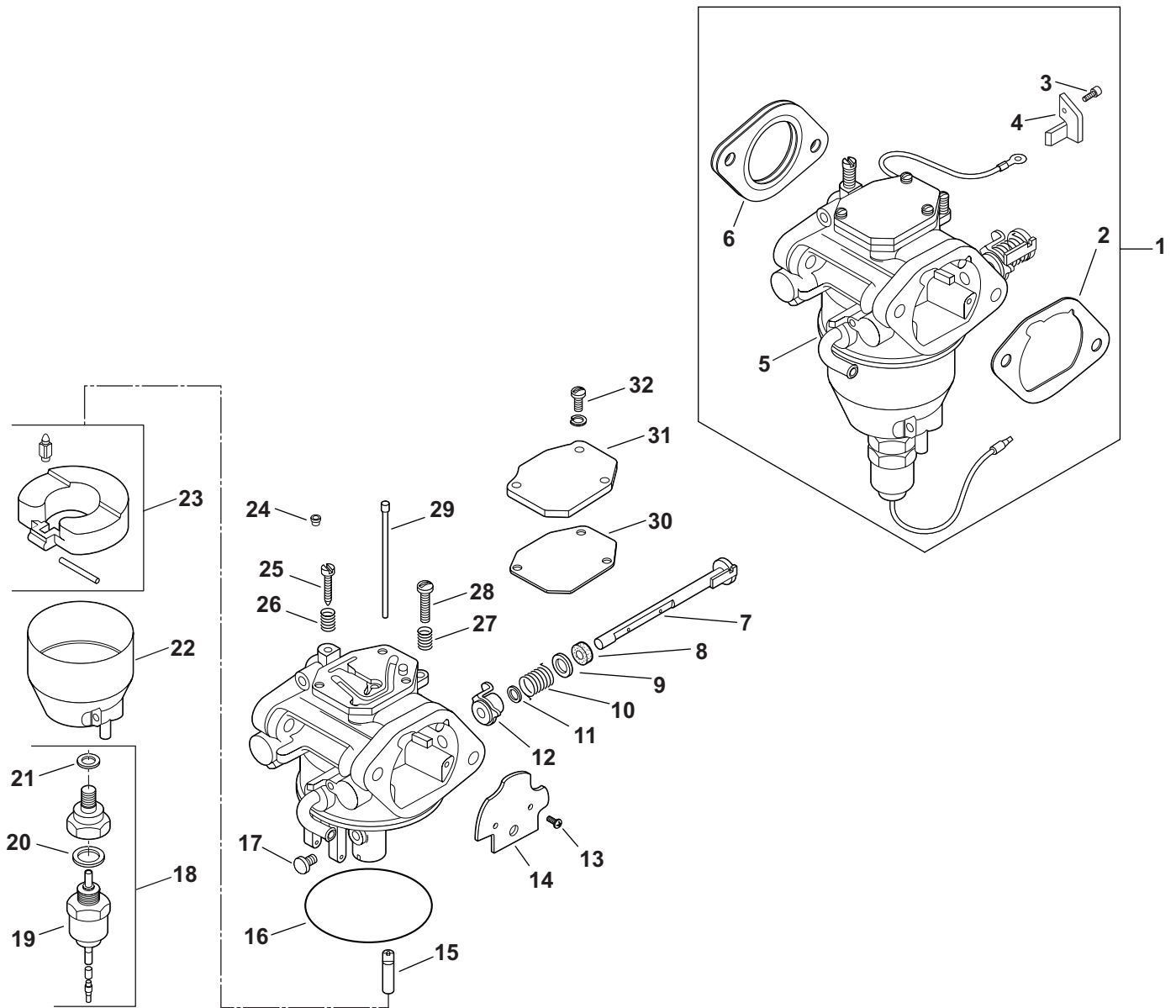
NOT ILLUSTRATED		
K1	24 755 23-S	KIT, *5-10,000 HIGH ALTITUDE (18,23,26)
K2	24 755 24-S	KIT, *10,000+ HIGH ALTITUDE (INCLUDES 3,7,18,23,26,31,32)
K3	24 755 27-S	KIT, *5-10,000 HIGH ALTITUDE (INCLUDES 18,23,26)
K4	24 755 28-S	KIT, *10,000+ HIGH ALTITUDE (INCLUDES 3,7,18,23,26,31,32)
K5	24 755 143-S	KIT, *5-10,000 HIGH ALTITUDE (INCLUDES 3,7,8,26, 25 113 38-S)
K6	24 757 18-S	KIT, REPAIR CARBURETOR OVERHAUL (INCLUDES 3,7,8,18,23,25,27-30,32)
K7	24 757 19-S	KIT, REPAIR CHOKE (INCLUDES 3,7-16, 25 597 06-S)
K8	24 757 20-S	KIT, REPAIR GASKET (INCLUDES 3,8,18,23,32)
K9	24 757 21-S	KIT, ACC PUMP W/GASKETS (INCLUDES 3,7,8, CHECK VALVE, ACCELERATOR DIAPHRAGM SPRING, "C" RING, VACUUM HOSE, FUEL HOSE, NYLON BAND, ACCELERATOR PUMP DIAPHRAGM ASSEMBLY, ECONOMIZER BLEED JET)
K10	24 757 22-S	KIT, REPAIR SOLENOID (INCLUDES 3,7,8,19-23)
K11	24 757 36-S	KIT, REPAIR CHOKE (INCLUDES 3,7-9,11,12,14-16, 25 597 06-S)
K12	24 757 38-S	KIT, REPAIR GASKET (INCLUDES 3,7,8,32, PACKING, PLUG, U-RING)
K13	24 757 44-S	KIT, REPAIR FLOAT (INCLUDES 3,7,8,25)
K14	24 757 45-S	KIT, REPAIR SOLENOID (INCLUDES 3,7,8,21,22)
K15	24 757 46-S	KIT, REPAIR CARBURETOR OVERHAUL (INCLUDES 3,7,8,25,27-30,32,34, PACKING, PLUG, U-RING)
K16	24 757 56-S	KIT, ACC PUMP W/GASKETS (INCLUDES 3,7,8, U-RING, VALVE, CLIP, DIAPHRAGM COMP., SPRING, SCREW, PIPE, CLIP)
K17	24 041 44-S	GASKET, AIR CLEANER ADAPTER
	25 113 38-S	DECAL, HIGH ALTITUDE
	25 597 06-S	SEALER, LOCTITE

* - Altitudes are given in feet. 1,000 Feet = 304.8 Meters.



Aegis - Liquid-Cooled Horizontal

Carburetor Ref. Number	Service Carburetor	Gasket, Air Cleaner (2)	Gasket, Carburetor (4)	Gasket, Carburetor [PIM] (7)	Linkage, Rod (10)	O-Ring, Main Jet Screw (17)
66 053 12* (3)	66 853 13-S (1)	24 041 06-S	24 041 17-S			24 153 03-S
66 053 13 (6)	66 853 13-S (5)	24 041 06-S	24 041 17-S	24 041 53-S	24 079 06-S	24 153 03-S
66 053 16 (3)	66 853 16-S (1)	24 041 06-S	24 041 17-S		24 079 06-S	24 153 03-S
	Screw, Solenoid [2] (20)	Solenoid Assembly (21)	O-Ring, Solenoid (22)	Seat, Solenoid (23)	O-Ring, Solenoid (24)	O-Ring, Solenoid (25)
66 053 12* (3)	24 086 07-S	24 435 01-S	24 153 04-S	24 521 01-S	24 153 05-S	24 153 06-S
66 053 13 (6)	24 086 07-S	24 435 01-S	24 153 04-S	24 521 01-S	24 153 05-S	24 153 06-S
66 053 16 (3)	24 086 07-S	24 435 01-S	24 153 04-S	24 521 01-S	24 153 05-S	24 153 06-S
	Needle, Idle (26)	Spring, Idle Adjusting (27)	Cable, Carburetor Adjuster (31)	O-Ring, Slow Jet [2] (33)	Gasket, Carburetor Body (36)	Screw, Carburetor Body [4] (37)
66 053 12* (3)	24 368 01-S	24 089 11-S		24 153 02-S	24 041 09-S	24 086 09-S
66 053 13 (6)	24 368 01-S	24 089 11-S	66 159 01-S	24 153 02-S	24 041 09-S	24 086 09-S
66 053 16 (3)	24 368 01-S	24 089 11-S		24 153 02-S	24 041 09-S	24 086 09-S
	Cap, Choke Lever (39)	Clip, Inlet Needle Valve (41)	Available Service Kits			
66 053 12* (3)	24 173 02-S	24 154 01-S	K1,K2,K3,K4			
66 053 13 (6)	24 173 02-S	24 154 01-S	K1,K2,K3,K4,K5,K6			
66 053 16 (3)	24 173 02-S	24 154 01-S	K1,K2,K3,K4,K5,K6			
NOT ILLUSTRATED (The following kits are available for all of the Carburetors listed on this page.)						
K1	24 757 01-S	KIT, REPAIR SOLENOID (INCLUDES 19-25)				
K2	24 757 02-S	KIT, REPAIR FLOAT (INCLUDES 32,36, 24 086 08-S)				
K3	24 757 03-S	KIT, REPAIR CARBURETOR OVERHAUL (INCLUDES 17,22,24-27,33,36,37,40,41)				
K4	24 757 07-S	KIT, REPAIR CHOKE (INCLUDES 39, 25 597 06-S)				
K5	24 757 08-S	KIT, REPAIR ACC PUMP (INCLUDES 8)				
K6	24 757 09-S	KIT, REPAIR ACC PUMP SEAL (INCLUDES 10,12,15)				
	25 597 06-S	SEALER, LOCTITE				
	24 086 08-S	SCREW, FLOAT				

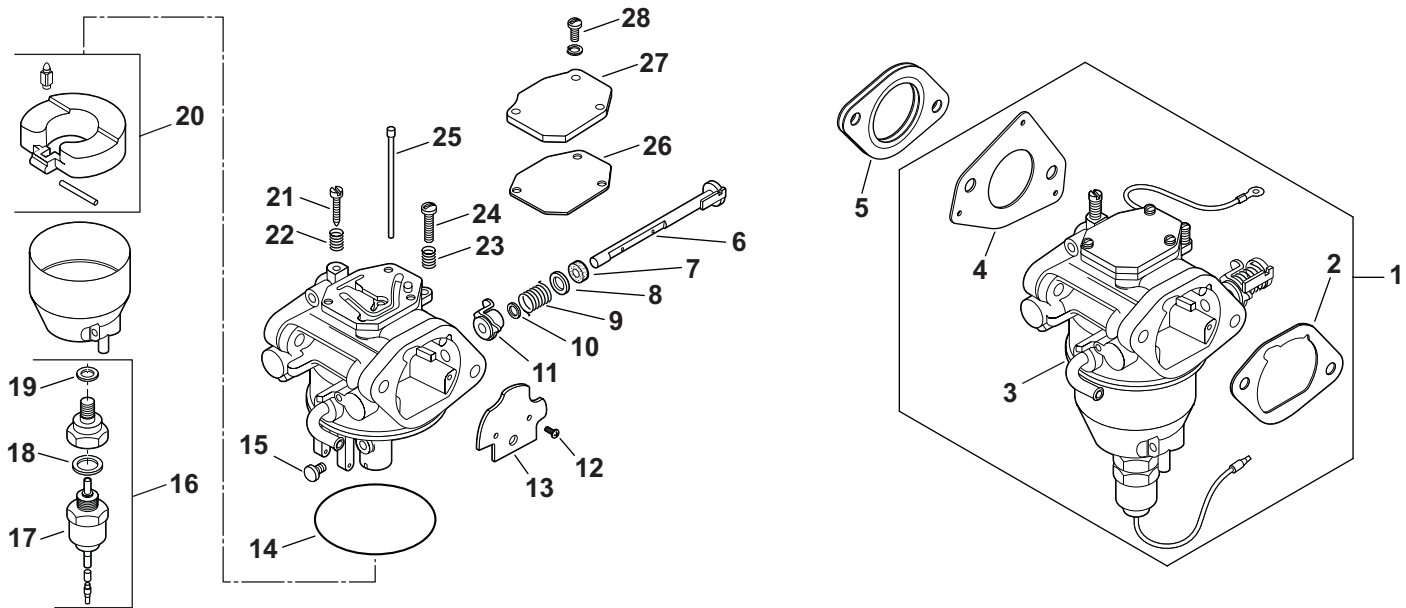


Aegis - Liquid-Cooled Vertical

Carburetor Ref. Number (5)	Service Carburetor (1)	Gasket, Air Cleaner (2)	Gasket, Carburetor (6)	Bowl, Float (22)	Available Service Kits
66 053 02*	66 853 10-S	24 041 14-S	24 041 15-S		K1,K2,K3,K5
66 053 04	66 853 04-S	24 041 14-S	24 041 15-S	24 234 01-S	K1,K2,K3,K5
66 053 10	66 853 10-S	24 041 14-S	24 041 15-S		K1,K2,K3,K5
66 053 11	66 853 11-S	24 041 14-S	24 041 15-S		K1,K2,K3,K4,K5

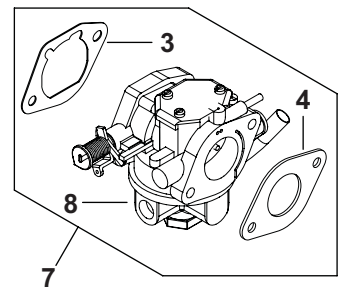
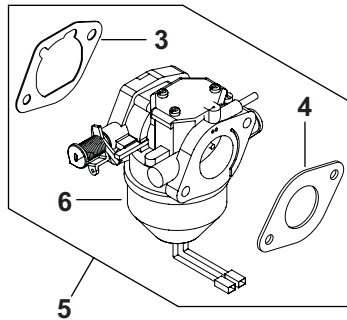
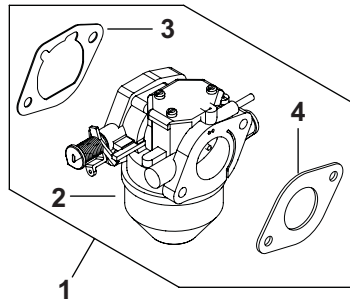
NOT ILLUSTRATED (The following kits are available for all of the Carburetors listed on this page.)

K1	24 757 18-S	KIT, REPAIR CARBURETOR OVERHAUL (INCLUDES 2,6,16,21,23,25-28,30)			
K2	24 757 19-S	KIT, REPAIR CHOKE (INCLUDES 2,6-13, 25 597 06-S)			
K3	24 757 20-S	KIT, REPAIR GASKET (INCLUDES 2,6,16,21,30)			
K4	24 757 21-S	KIT, ACC PUMP W/GASKETS (INCLUDES 2,6, CHECK VALVE, ACCELERATOR DIAPHRAGM SPRING, "C" RING, VACUUM HOSE, FUEL HOSE, NYLON BAND, ACCELERATOR PUMP DIAPHRAGM ASSEMBLY, ECONOMIZER BLEED JET)			
K5	66 757 01-S	KIT, REPAIR SOLENOID (INCLUDES 2,6,19)			
	25 597 06-S	SEALER, LOCTITE			



Courage Twin & Courage Twin Pro

Carburetor Ref. Number (3)	Service Carburetor (1)	Gasket, Air Cleaner (2)	Gasket, Carburetor [PIM] (4)	Available Service Kits
32 053 03	32 853 03-S	24 041 14-S	24 041 52-S	K5,K6,K7,K8,K9
32 053 04*	32 853 08-S	24 041 14-S	24 041 52-S	K5,K6,K7,K8,K9
32 053 05*	32 853 07-S	24 041 14-S	24 041 52-S	K1,K2,K3,K4
32 053 06*	32 853 08-S	24 041 14-S	24 041 52-S	K1,K2,K3,K4
32 053 07	32 853 07-S	24 041 14-S	24 041 52-S	K5,K6,K7,K8,K9
32 053 08	32 853 08-S	24 041 14-S	24 041 52-S	K6,K7,K8,K9
NOT ILLUSTRATED (Order Service Kits according to Carburetor Manufacturer.)				
For Service of Nikki Carburetors				
K1	24 757 18-S	KIT, REPAIR CARBURETOR OVERHAUL (INCLUDES 2,4,5,14,19,20-24,26)		
K2	24 757 19-S	KIT, REPAIR CHOKE (INCLUDES 2,4-13, 25 597 06-S)		
K3	24 757 20-S	KIT, REPAIR GASKET (INCLUDES 2,4,5,14,19,26)		
K4	24 757 22-S	KIT, REPAIR SOLENOID (INCLUDES 2,4,5,15-19)		
For Service of Keihin Carburetors				
K5	24 757 36-S	KIT, REPAIR CHOKE (INCLUDES 2,4-6,8,9,11-13, 25 597 06-S, CHOKE CAP)		
K6	24 757 38-S	KIT, REPAIR GASKET (INCLUDES 2,4,5,26, PACKING, PLUG, U-RING)		
K7	24 757 44-S	KIT, REPAIR FLOAT (INCLUDES 2,4,5,20)		
K8	24 757 45-S	KIT, REPAIR SOLENOID (INCLUDES 2,4,5,17,18)		
K9	24 757 46-S	KIT, REPAIR CARBURETOR OVERHAUL (INCLUDES 2,4,5,20-24,26,28, PACKING, PLUG, U-RING)		
	25 597 06-S	SEALER, LOCTITE		



Triad OHC

Carburetor Ref Number	Service Carburetor	Gasket, Air Cleaner (3)	Gasket, Carburetor (4)	Lead (Not Illustrated)	Available Service Kits
28 053 02 (2)	28 853 02-S (1)	24 041 14-S	24 041 15-S		K1,K2,K3,K4,K5
28 053 04 (6)	28 853 04-S (5)	24 041 14-S	24 041 15-S		K1,K2,K3,K4,K5
28 053 05 (2)	28 853 05-S (1)	24 041 14-S	24 041 15-S		K1,K2,K3,K5
28 053 06 (8)	28 853 06-S (7)	24 041 14-S	24 041 15-S	28 518 04-S	K1,K5
28 053 07 (6)	28 853 07-S (5)	24 041 14-S	24 041 15-S		K1,K2,K3,K4,K5
28 053 08 (8)	28 853 08-S (7)	24 041 14-S	24 041 15-S	28 518 04-S	K1,K5
28 053 09 (6)	28 853 09-S (5)	24 041 14-S	24 041 15-S		K1,K2,K3,K4,K5
28 053 12 (6)	28 853 12-S (5)	24 041 14-S	24 041 15-S		K1,K2,K3,K4,K5
NOT ILLUSTRATED					
K1	24 757 20-S	KIT, REPAIR GASKET (INCLUDES 3,4, CHAMBER RETAINING SCREW GASKET, FLOAT CHAMBER GASKET AND PASSAGE COVER GASKET)			
K2	28 757 05-S	KIT, REPAIR CARBURETOR OVERHAUL (INCLUDES 3,4, CHAMBER RETAINING SCREW GASKET, FLOAT CHAMBER GASKET, WELCH PLUG, FLOAT VALVES, CHAMBER SET PLUG, THROTTLE ADJUST SPRING AND THROTTLE ADJUST SCREWS)			
K3	28 757 06-S	KIT, REPAIR FLOAT (INCLUDES 3,4, CHAMBER RETAINING SCREW GASKET, FLOAT CHAMBER GASKET, FLOAT VALVES, FLOAT ASSEMBLY AND FLOAT PIN)			
K4	28 757 07-S	KIT, REPAIR SOLENOID (INCLUDES 3,4, CHAMBER RETAINING SCREW GASKET AND SOLENOID VALVE)			
K5	28 757 08-S	KIT, REPAIR CHOKE (INCLUDES 3,4, CHOKE SHAFT, CHOKE VALVE, VALVE SET SCREW, CHOKE RETURN SPRING AND 25 597 06-S)			
	25 597 06-S	SEALER, LOCTITE			

KOHLER[®] ENGINES

FOR SALES AND SERVICE INFORMATION
IN U.S. AND CANADA, CALL **1-800-544-2444**

ENGINE DIVISION, KOHLER CO., KOHLER, WISCONSIN 53044

FORM NO.: TP-2377-E
ISSUED: 1/89
REVISED: 7/08

LITHO IN U.S.A.



1PTP-2377-E



6 50531 68126 3